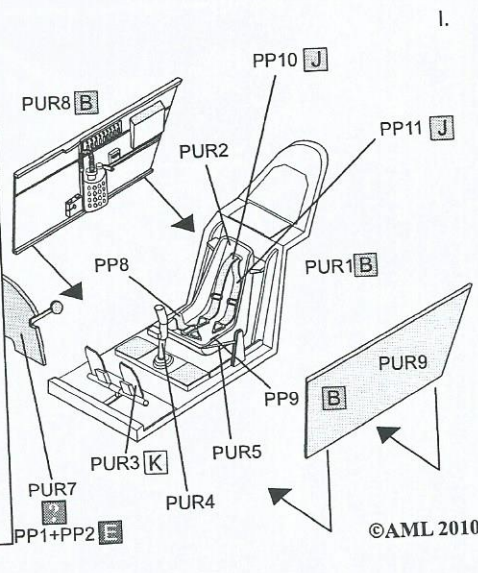
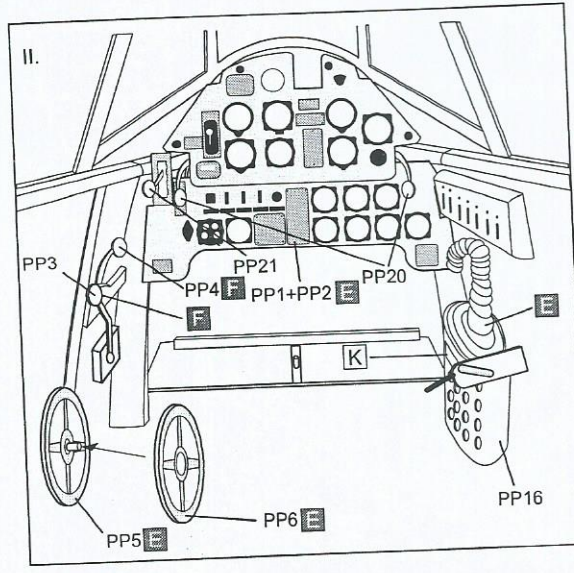
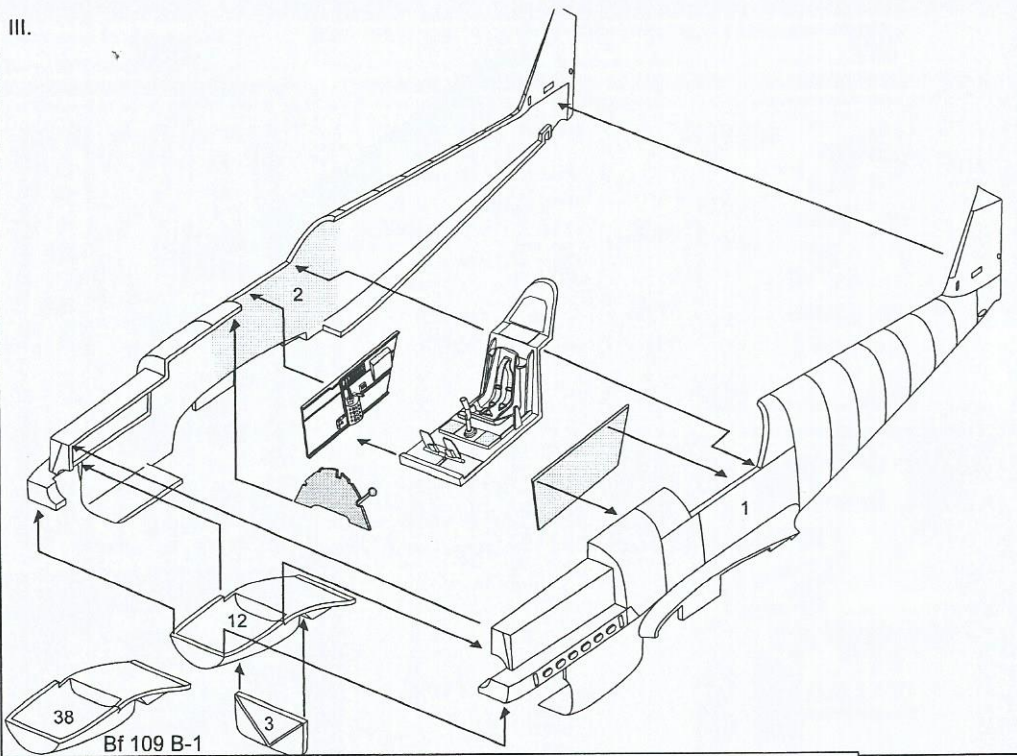


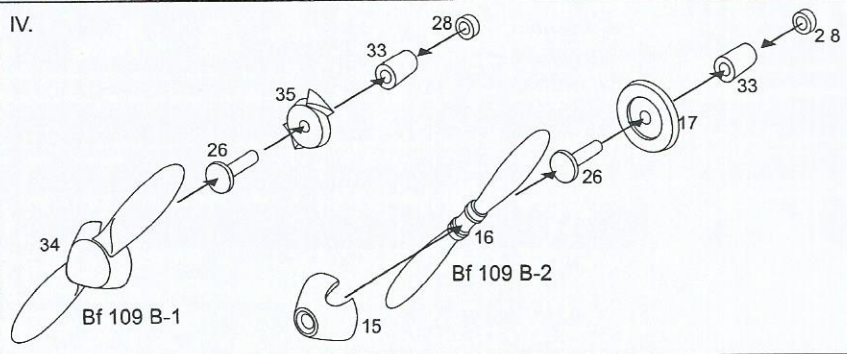
Assembly



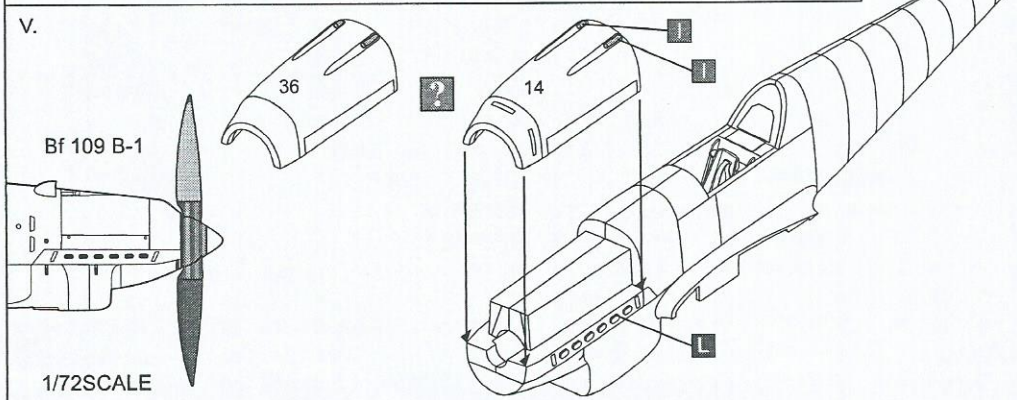
III.



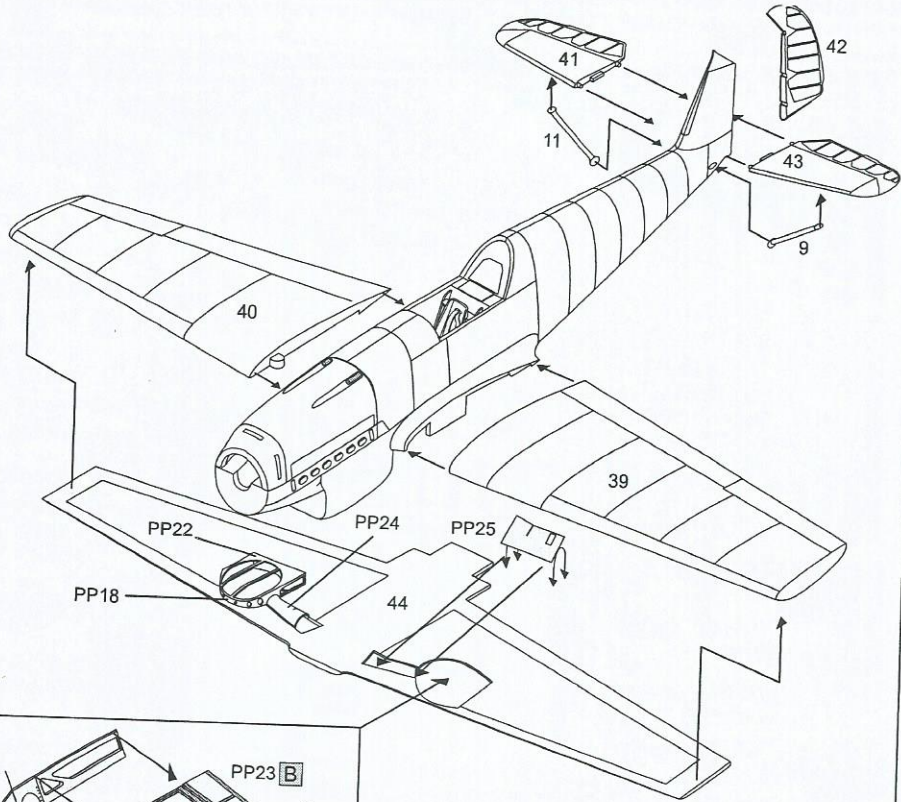
IV.



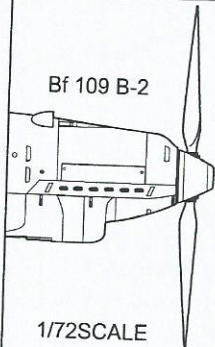
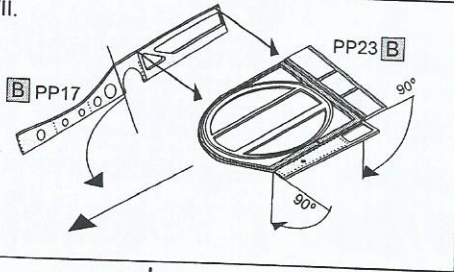
V.



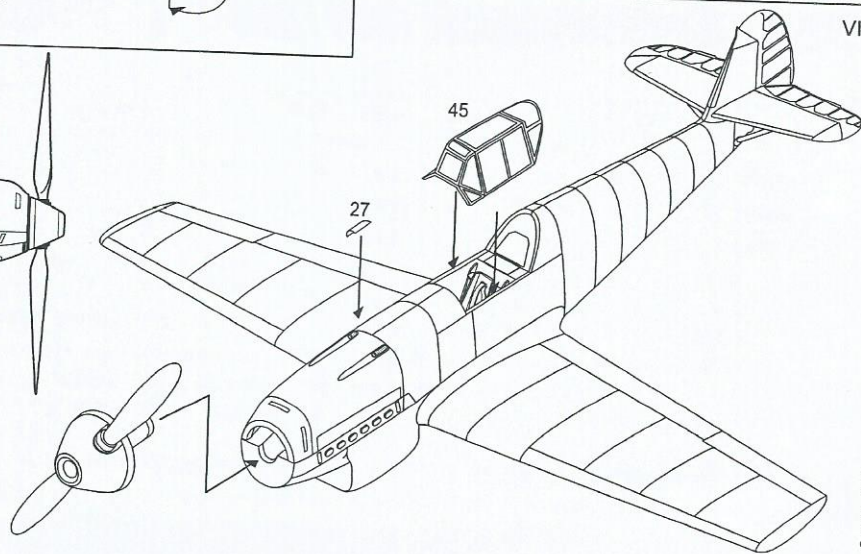
VI.



VII.

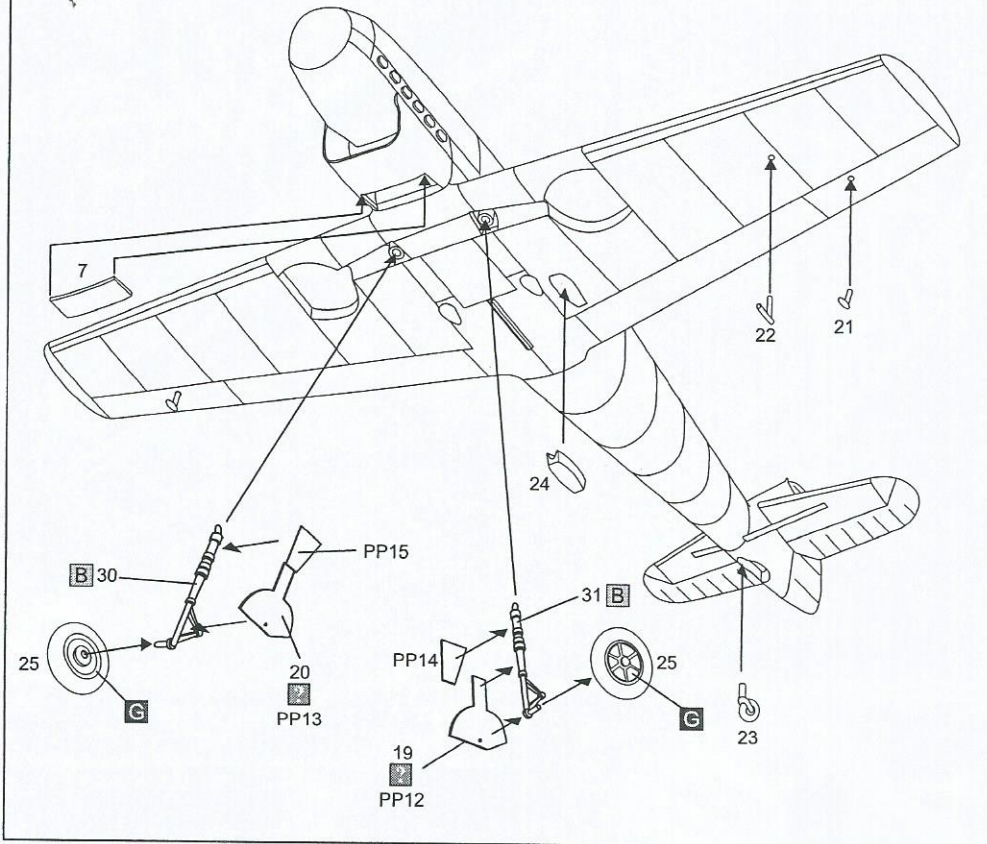


VIII.



©AML 2010

IX.



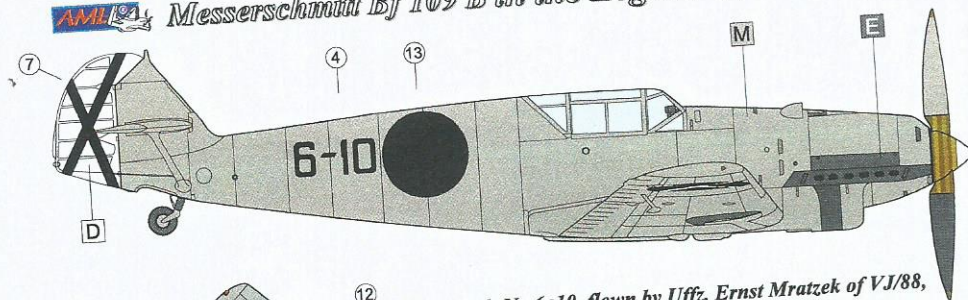
Thank Ing.Ladislav Hladik, Mr.Karel Tuma for help with gathering the necessary archive documents and support.

	Doporučené barvy Recommended Colours	Fed.Standard Colors 595a	Aero Master	Agama	Humbrol	Hobby Color	Lifecolor	Model Master	Mr.Color	Testors Pactra
B	Grey Green RLM 02	4424,4583	1010	N6M	141	H70	UA071	1726	C60	A77
M	Green Grey RLM 63	6307		H8M		H344	UA113			A84
D	White RLM 21	7886	1012	01 M	34	H11	LC01	1768	C62	A2(G)
E	Black RLM 22	7038	1013	07 M	33	H12	LC02	1749	C33	A1(G)
F	Red RLM 23	1302	1014	N30M	153	H414	LC06	1705,2073	C114	
G	Black Green RLM 70	4050	1023	N1M	91	H65	UA051	2080	C18	A87
H	Dark Green RLM 71	4089,4151	1023	N2M	116	H64	UA052	1710,2081	C17	A88
	Gunmetal			32	53	76				
J	Matt Pale Stone				121	313		1706		
K	Aluminium				56		LC24			46
L	Rust			29M	113					
R	Light Blue RLM 65	5450	1021	N5M	65	H68	UA061	2078	C115	A85

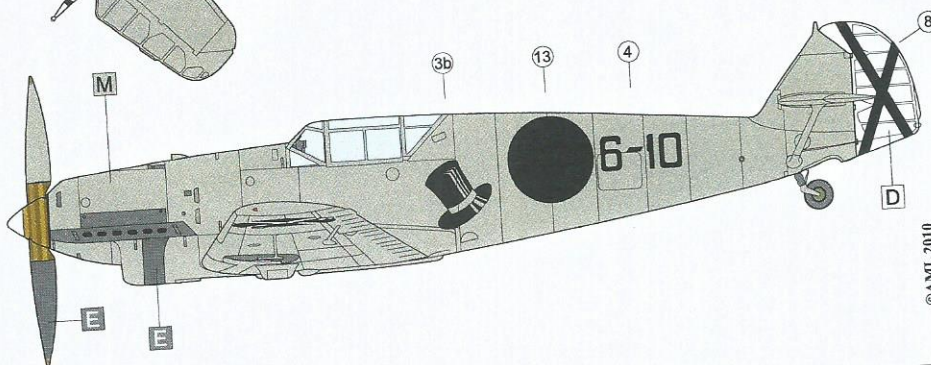
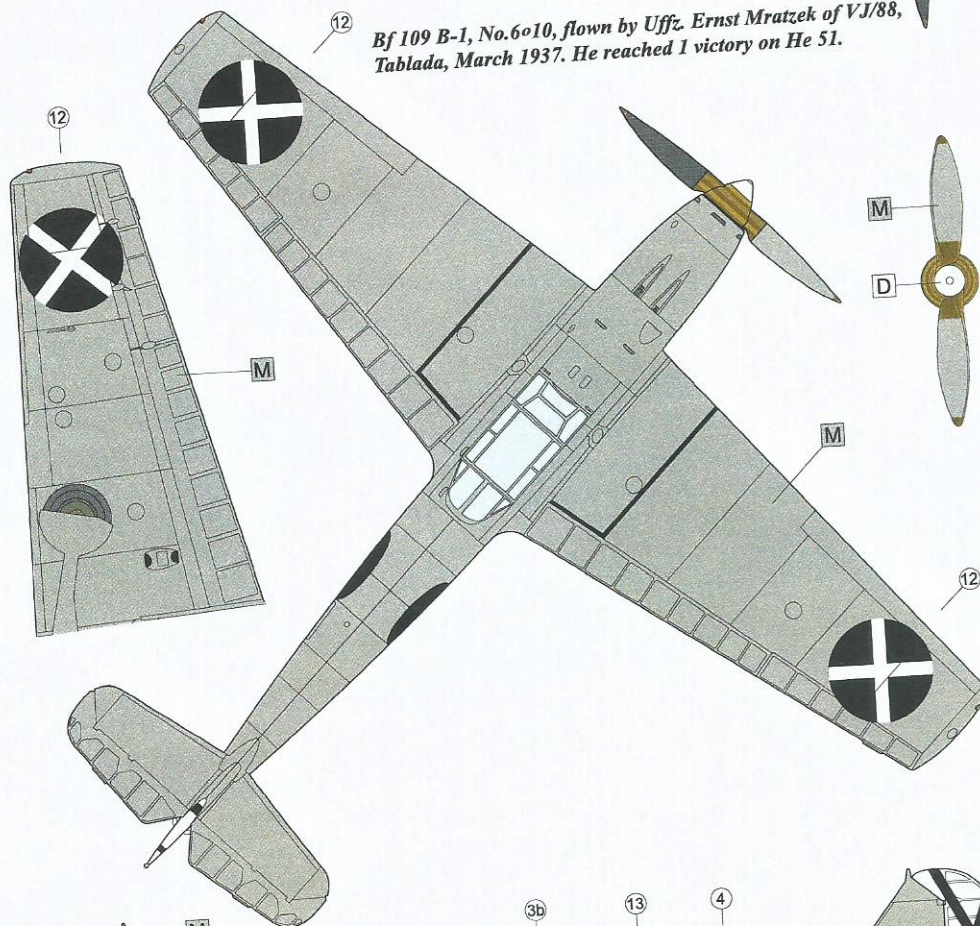
NOTE: This above list references to Federal Standard /FS 595A / numbers do not include the prefix number. This just denotes the sheen of the colour e.g. 1= Gloss, 2= Semi-gloss, 3= Matt.

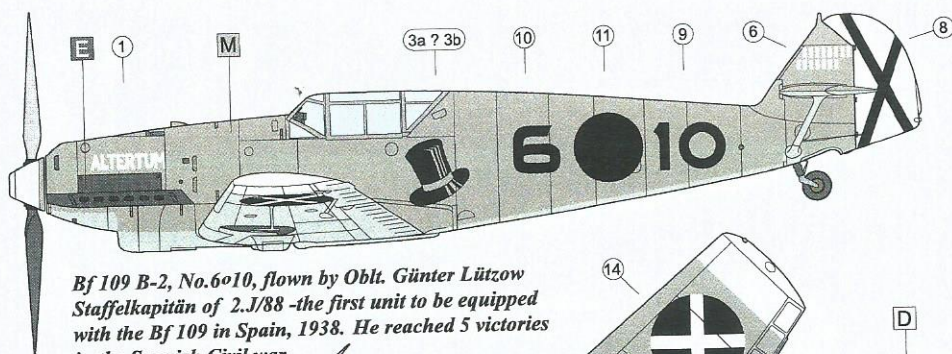


Messerschmitt Bf 109 B in the Legion Condor AMLA 72 016



Bf 109 B-1, No. 6-10, flown by Uffz. Ernst Mratzek of VJ/88, Tablada, March 1937. He reached 1 victory on He 51.





*Bf 109 B-2, No.6010, flown by Oblt. Günter Lütow
Staffelkapitän of 2./J/88 -the first unit to be equipped
with the Bf 109 in Spain, 1938. He reached 5 victories
in the Spanish Civil war.*

