



F/A-18A/B/C/D Blue Angels 2017

F/A-18A/B/C/D ホーネット 「ブルーエンジェルス 2017年」

F/A-18A/B/C/D Blue Angels 2017

F/A-18A/B/C/D ホーネット 「ブルーエンジェルス 2017年」

The Blue Angels is the United States Navy's flight demonstration squadron, with aviators from the Navy and Marines. The Blue Angels team was formed in 1946, making it the second oldest formal flying aerobatic team in the world.

The Blue Angels' six demonstration pilots currently fly the F/A-18 Hornet, typically in more than 70 shows at 34 locations throughout the United States each year.

The show's narrator flies Blue Angel 7, a two-seat F/A-18D Hornet, to show sites. The Blues use this jet for backup, and to give demonstration rides to VIP civilians.

The Blues Angels' F/A-18 are former fleet aircraft that are nearly combat-ready. Modifications to each aircraft include removal of the aircraft gun and replacement with the tank that contains smoke-oil used in demonstrations, and outfitting with the control stick spring system for more precise aircraft control input. The standard demonstration configuration has a spring tensioned with 40 pounds of force installed on the control stick as to allow the pilot minimal room for uncommanded movement. The Blues do not wear G-suits, because the air bladders inside them would repeatedly deflate and inflate, interfering with the control stick between the pilot's legs. Instead, Blue Angel pilots tense their muscles to prevent blood from rushing from their heads and rendering them unconscious.

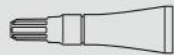

CAUTION

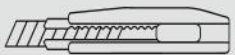

- *Read carefully and fully understand the instructions before commencing assembly.
- *Keep out of reach of children. Children must not be allowed to put any parts in their mouths, or pull plastic bag over their heads.
- *When using adhesives and paints, please make sure not to use them in closed room or near the fire.
- *When assembling this kit, tools including knives are used. Extra care should be taken to avoid injury.

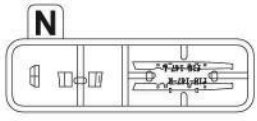
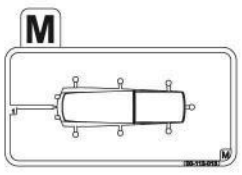
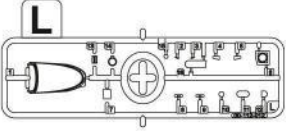
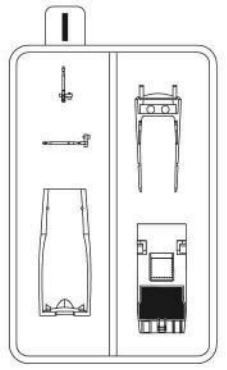
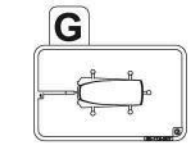
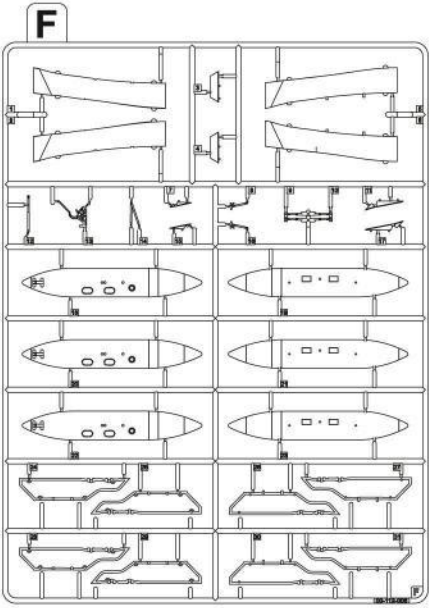
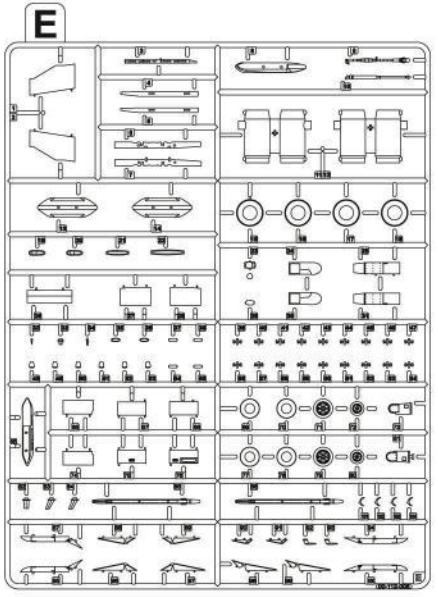
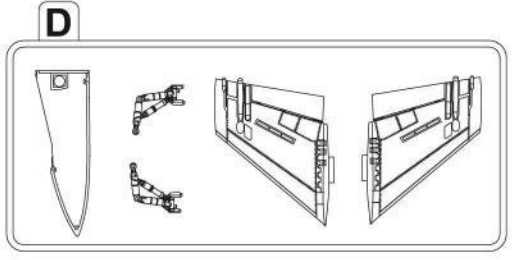
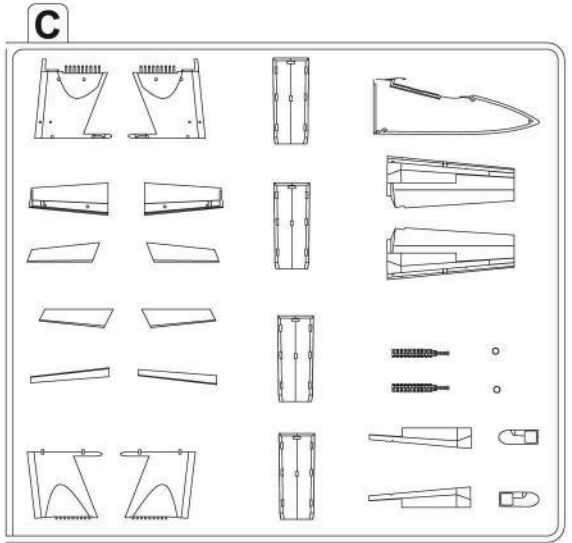
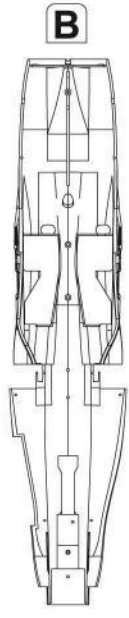
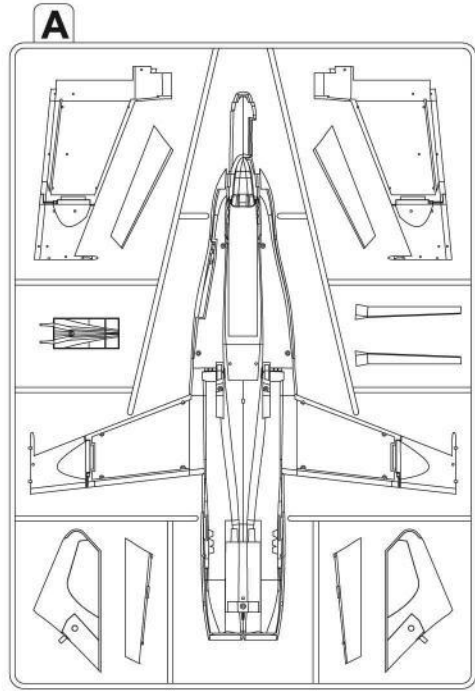
WARNING: CONTAIN SMALL PARTS NOT FOR CHILDREN UNDER 14 YEARS OF AGE.

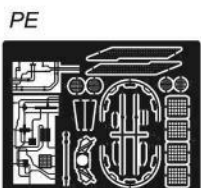
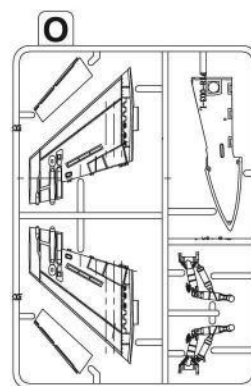
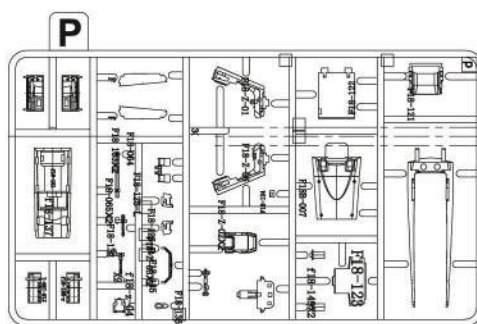
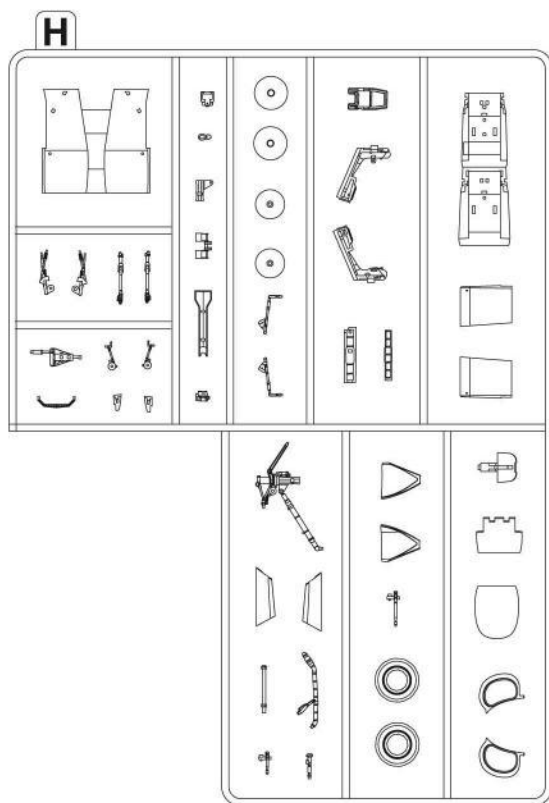


TOOLS RECOMMENDED

Cement  Side Cutter 

Modeling Knife  Tweezers 





AFTERMARKET SERVICES CARD

When requesting replacement parts, please take or send this form to your local dealer so that the parts required can be correctly identified. Please note that specifications and availability are subject to change without notice.

or visit <http://www.kineticmodel.com> for latest information.

For more information, please contact services@kineticmodel.com

Part Code	K48073	Qty	Item
00-112-001	1/48 F/A-18 UPPER FUESLAGE A	1	A
00-112-002	1/48 F/A-18 LOWER FUESLAGE B	1	B
00-112-003	1/48 F/A-18 FLAPS C	1	C
00-112-004	1/48 F/A-18 C/D VERTICAL TAIL D	1	D
00-112-005	1/48 F/A-18 WHEEL, PYLONS E	1	E
00-112-006	1/48 F/A-18 FUEL TANKS, PYLON F	1	F
00-112-007	1/48 F/A-18 A/C CANOPY G	1	G
00-112-008	1/48 F/A-18 COCKPIT, LANDING GEAR H	1	H
00-112-009	1/48 F/A-18 A/C PARTS I	1	I
00-112-012	1/48 F/A-18 COMMON CLEAR PARTS L	1	L
00-112-013	1/48 F/A-18 DOUBLE CANOPY M	1	M
00-112-014	1/48 F/A-18 A/B/C/D PYLON ANN. PART N	1	N
00-112-015	1/48 F/A-18 A/B VERTICAL TAIL PART O	1	O
00-112-016	1/48 F/A-18 B/D PARTS P	1	P
01-112-48073	1/48 BLUE ANGELS F/A-18A/B/C/D	1	
03-112-48073	1/48 BLUE ANGELS F/A-18A/B/C/D	1	
06-112-48031	1/48 F/A-18A/C	1	PE



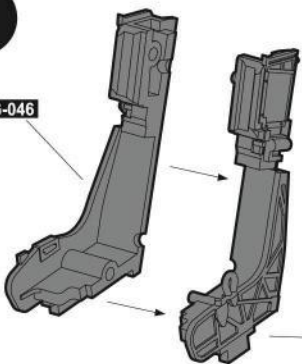
PAINT INDEX

COLOR	AMMO MIG	VALLEJO MODEL COLOR	GSI CREOS MR. COLOR	TAMIYA ENAMEL/ACRYLIC	HUMBROL ENAMEL
DUNKELGELB AUS '44 DG I	A.MIG-011	830	-	XF62	66
SATIN BLACK	A.MIG-032	861	2	-	21
OLD WOOD	A.MIG-036	879	81	-	-
GUN METAL	A.MIG-045	863	76	XF56	53
MATT BLACK	A.MIG-046	950	12	XF1	33
SATIN WHITE	A.MIG-047	842	1	-	22
YELLOW	A.MIG-048	953	413	XF3	15
RED	A.MIG-049	957	-	XF07	153
MATT WHITE	A.MIG-050	951	11	XF2	34
CRYSTAL RED	A.MIG-093	934	-	-	220
CRYSTAL PERISCOPE GREEN	A.MIG-096	936	-	-	-
CRYSTAL ORANGE	A.MIG-097	935	-	-	-
CRYSTAL LIGHT BLUE	A.MIG-098	938	-	-	-
MEDIUM BLUE	A.MIG-103	71.090	328	-	-
GOLD YELLOW	A.MIG-125	996	-	-	-
SILVER	A.MIG-195	997	8	XF16	11
GHOST GRAY	A.MIG-208	991	317	XF54	27
MEDIUM GRAY	A.MIG-211	989	-	XF19	127
INTERMEDIATE BLUE	A.MIG-228	867	36	XF54	79

For Color Profile, please go to www.kineticmodel.com for download (type the kit# and go for manual/painting guide)

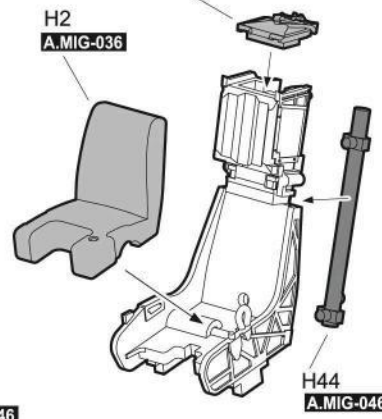
1

H4
A.MIG-046

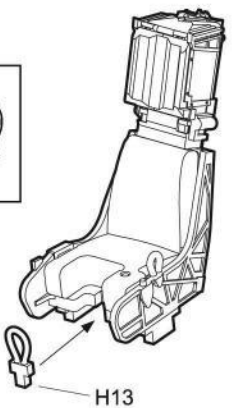


H2
A.MIG-036

H12
A.MIG-036



A.MIG-046
A.MIG-048
A.MIG-046



H44
A.MIG-046

H13

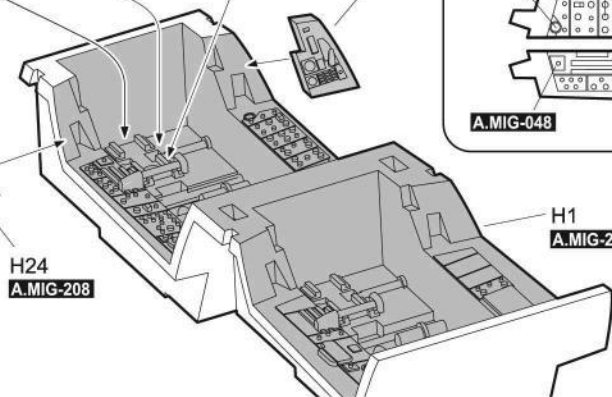
2

H29
A.MIG-208

H15
A.MIG-045

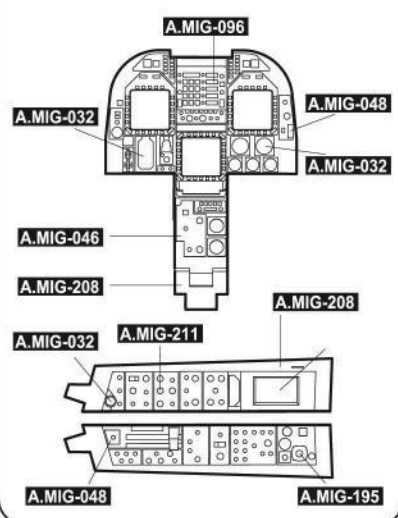
H43
A.MIG-046

H23
A.MIG-208

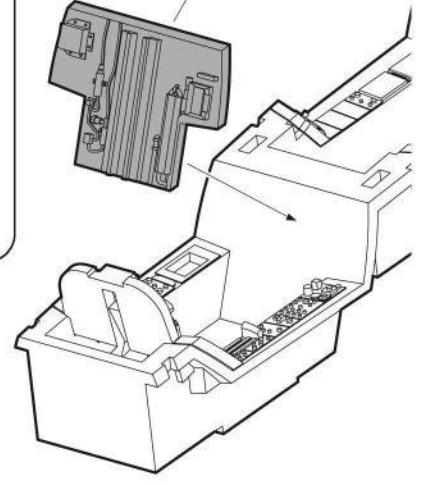


H24
A.MIG-208

Painting Instruction

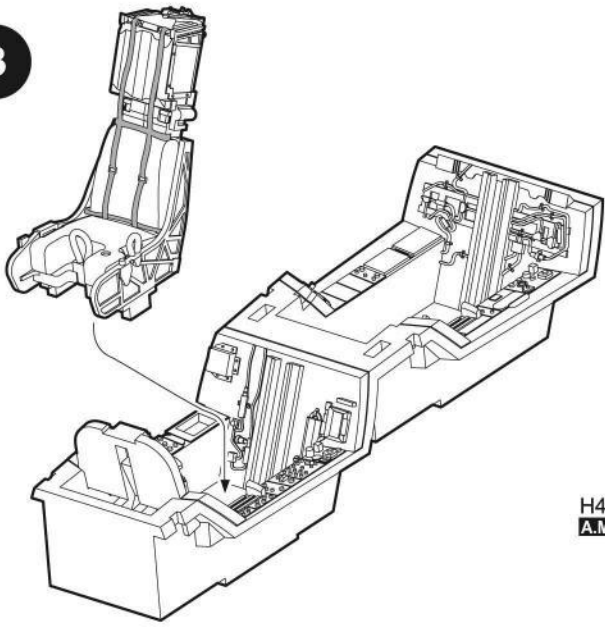


H30
A.MIG-208

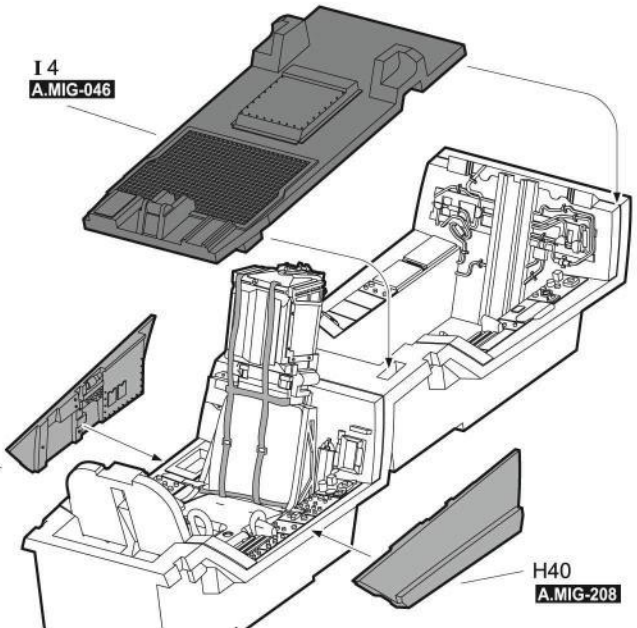


3

I4
A.MIG-046



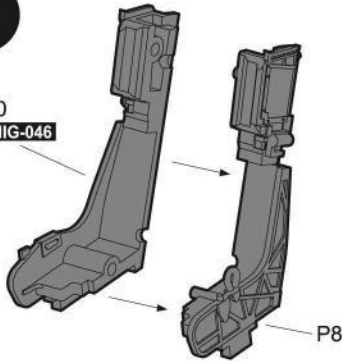
H41
A.MIG-208



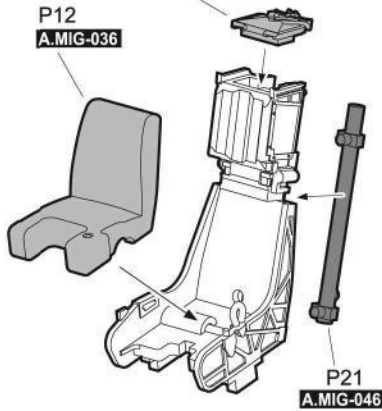
H40
A.MIG-208

4

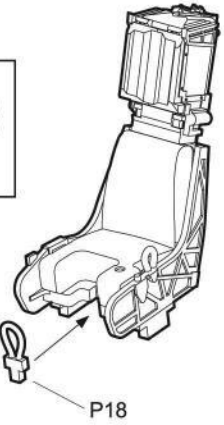
P10
A.MIG-046



P12
A.MIG-036

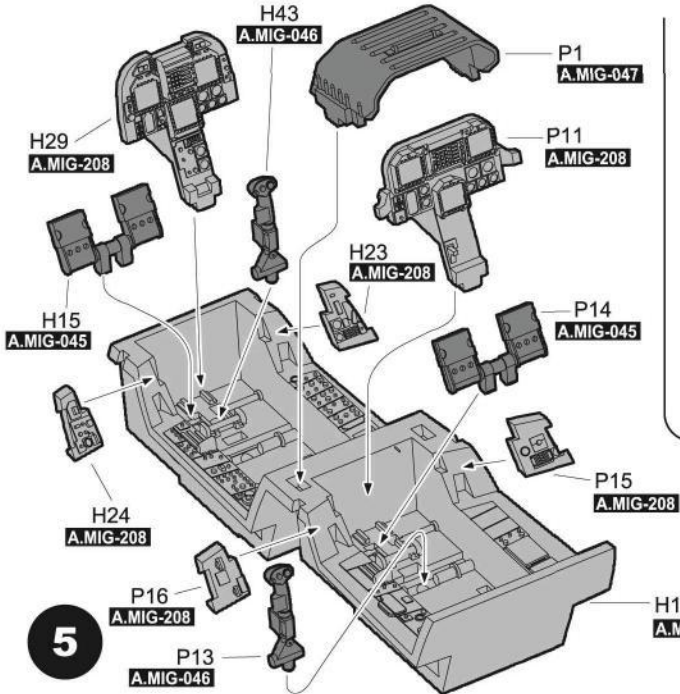


A.MIG-046
A.MIG-048
A.MIG-046

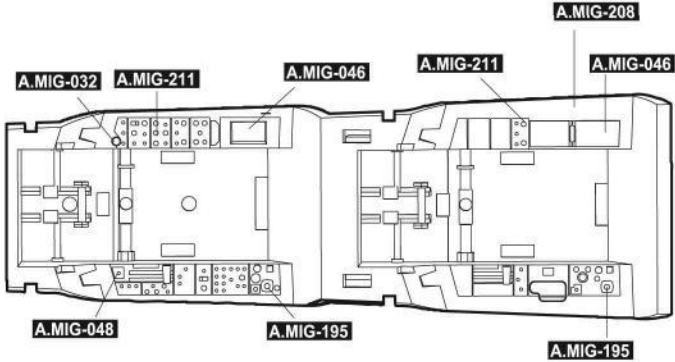


P21
A.MIG-046

P18

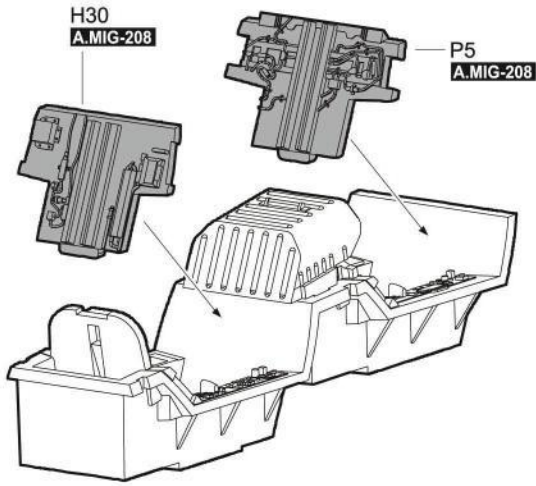
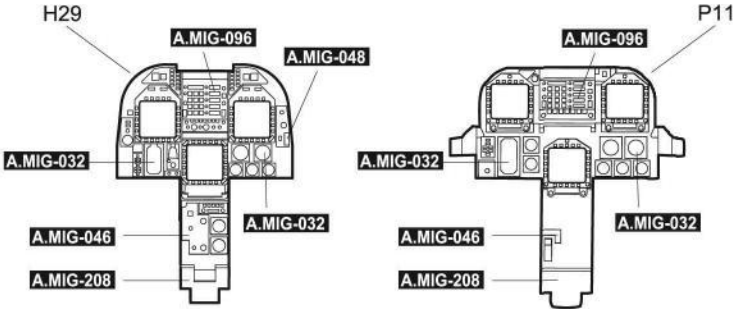


Painting Instruction

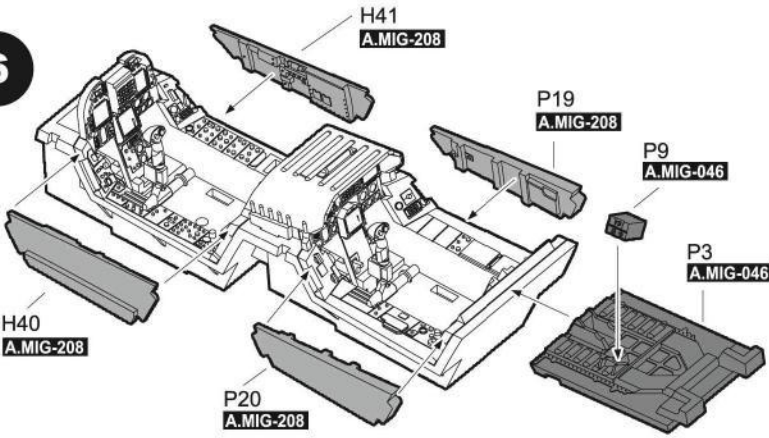


5

Painting Instruction

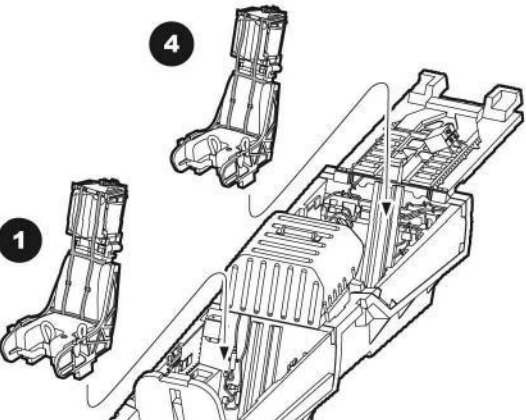


6

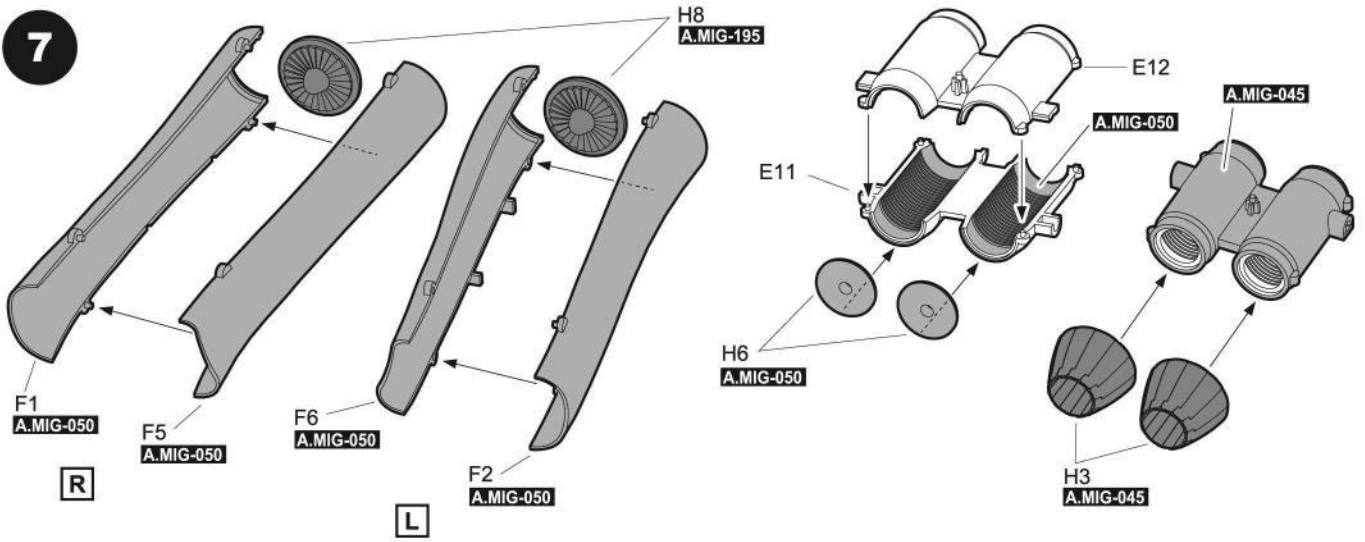


4

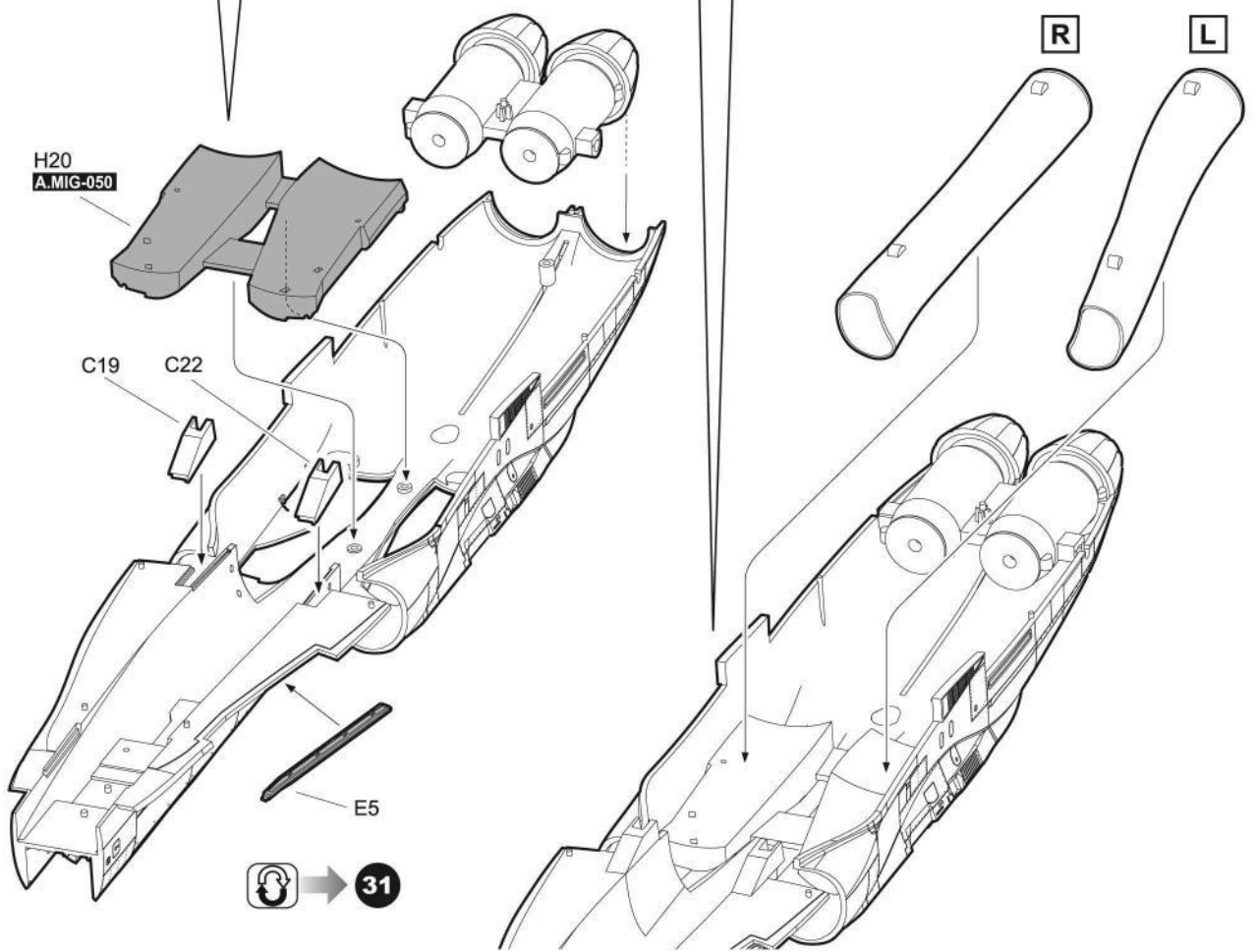
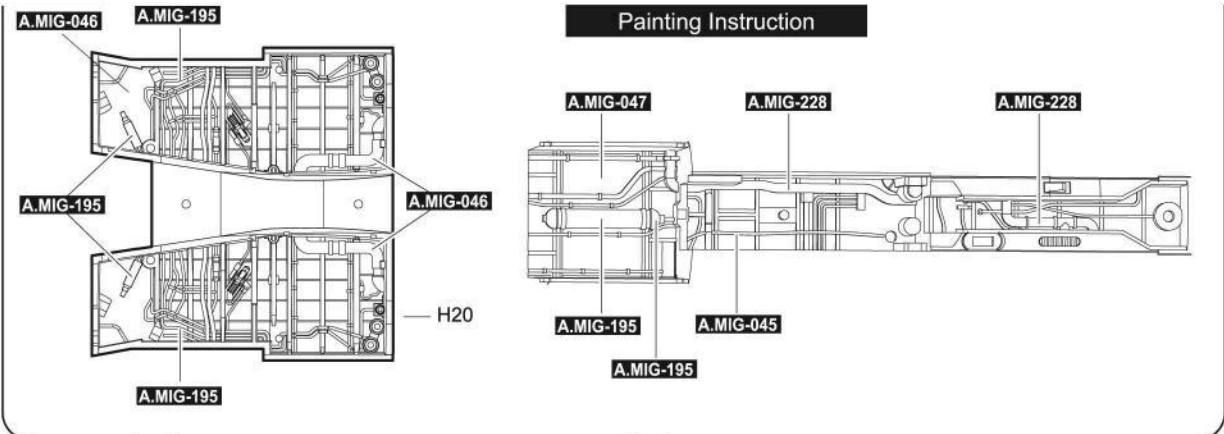
1



7



8



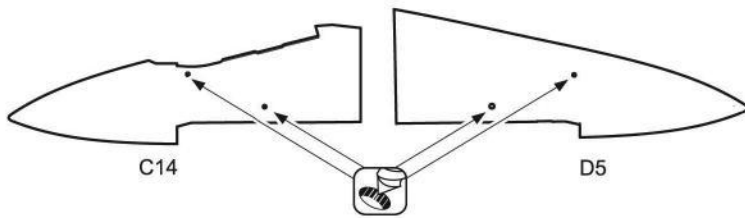
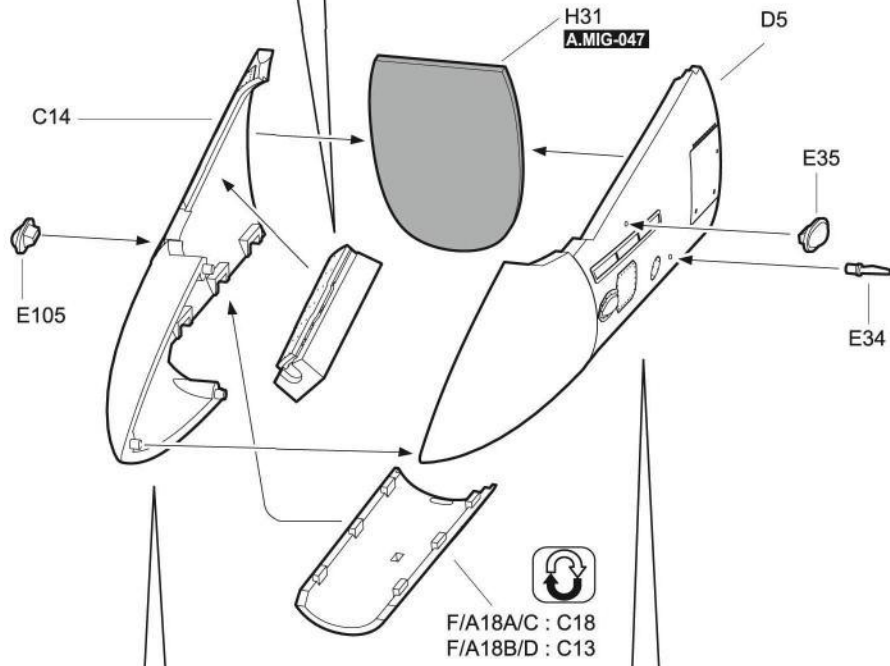
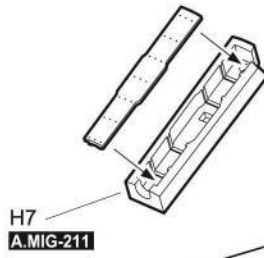
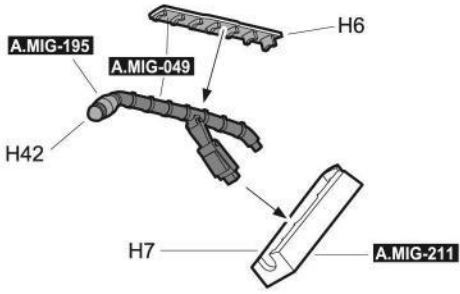
31

9

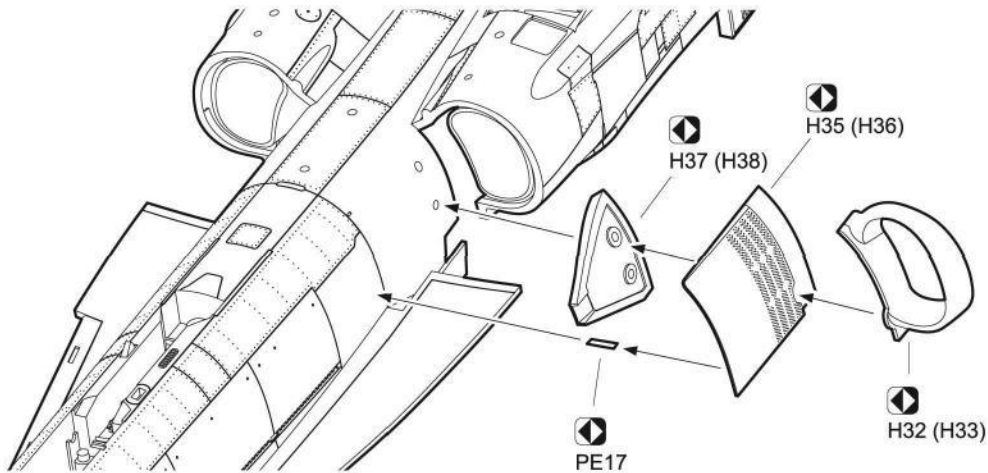
Refuelling Probe Open



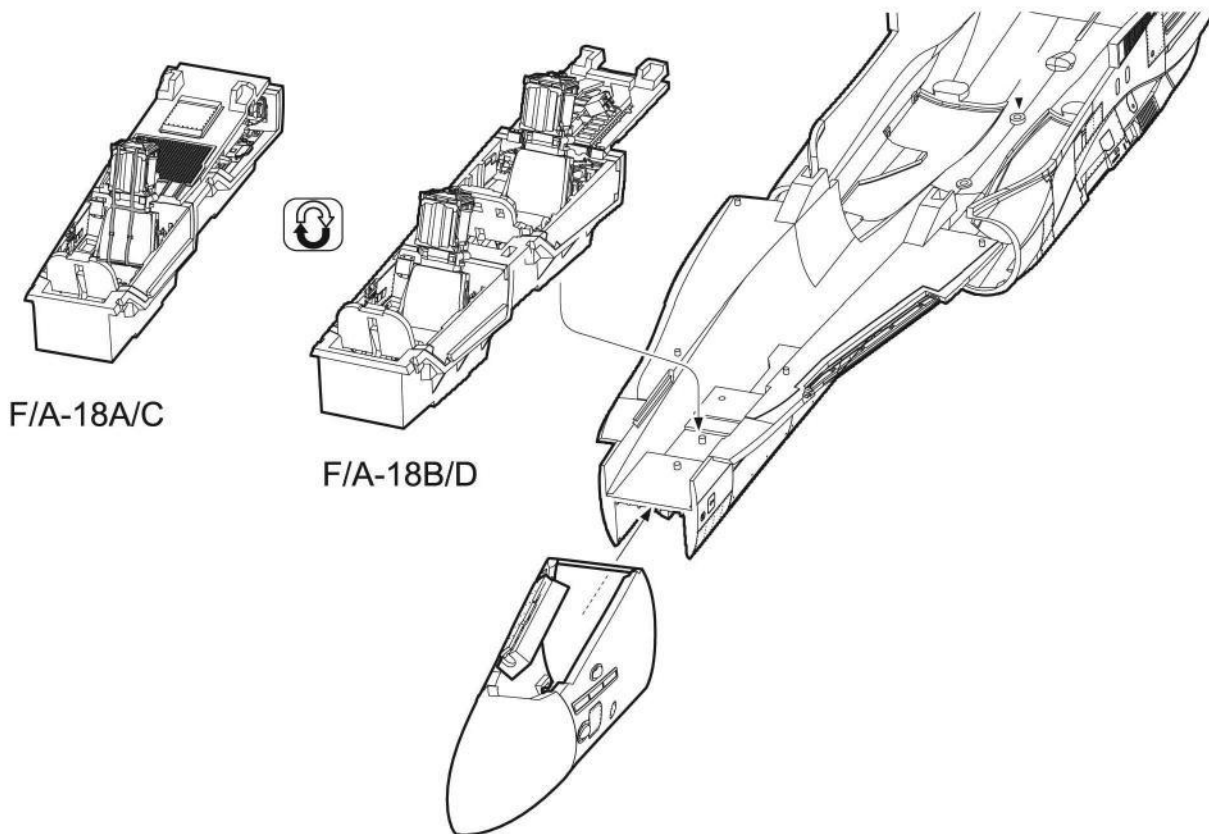
Refuelling Probe Close



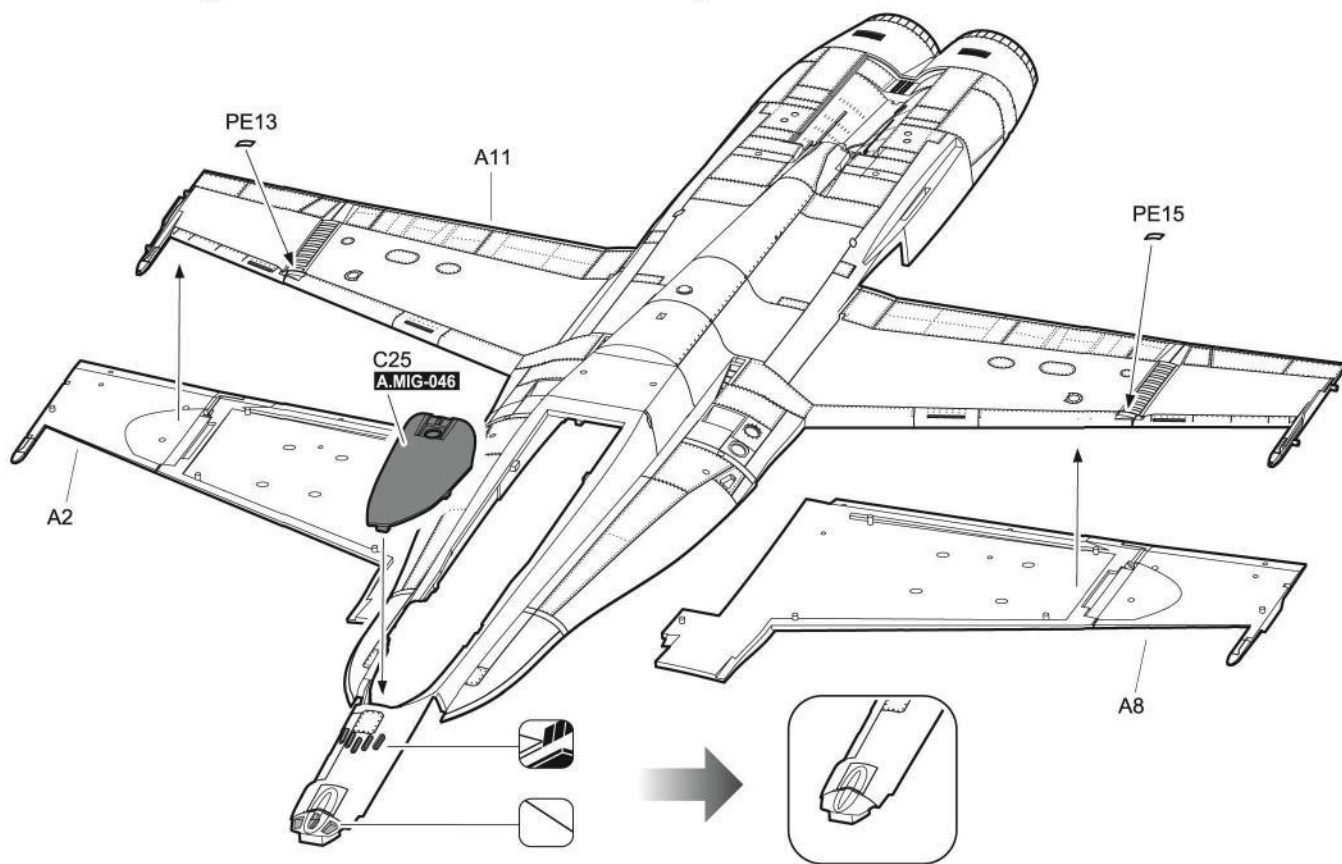
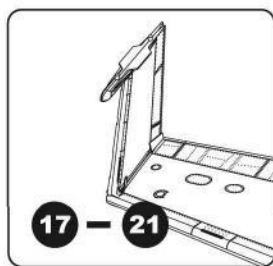
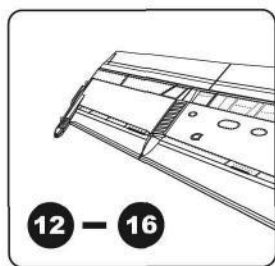
10



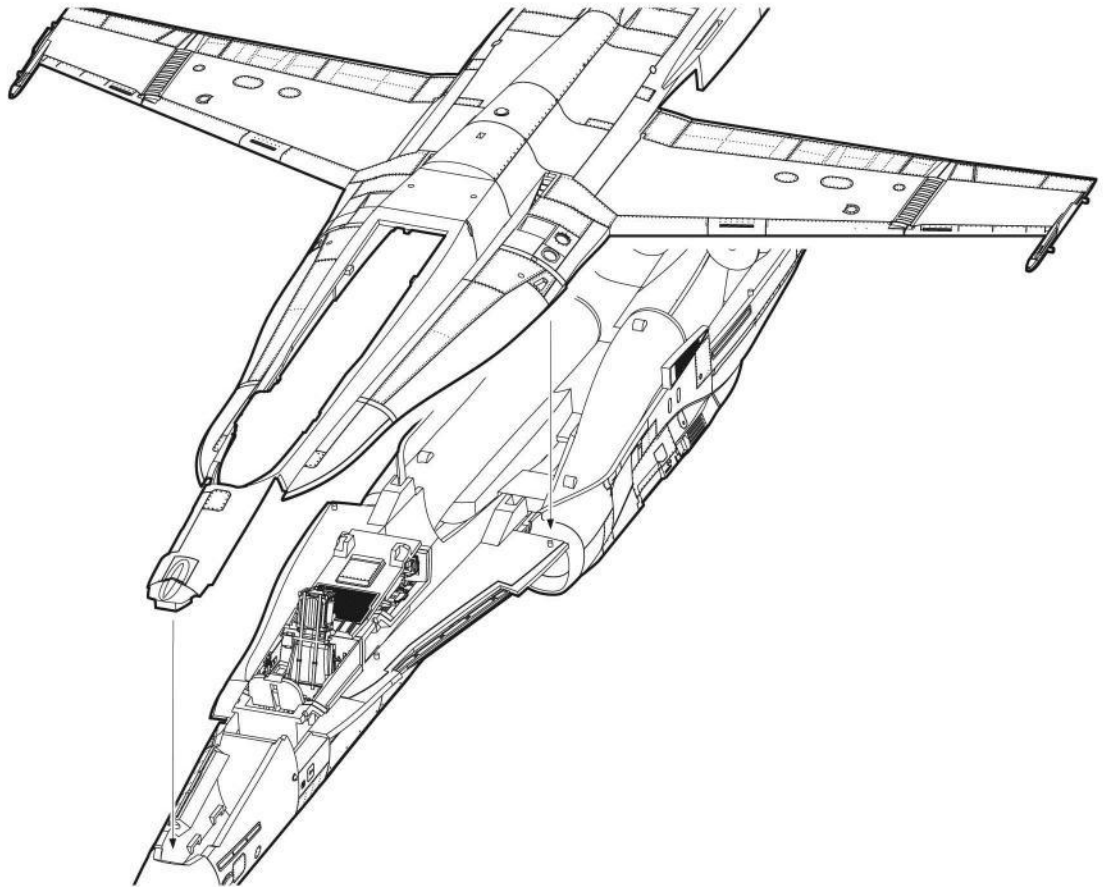
11



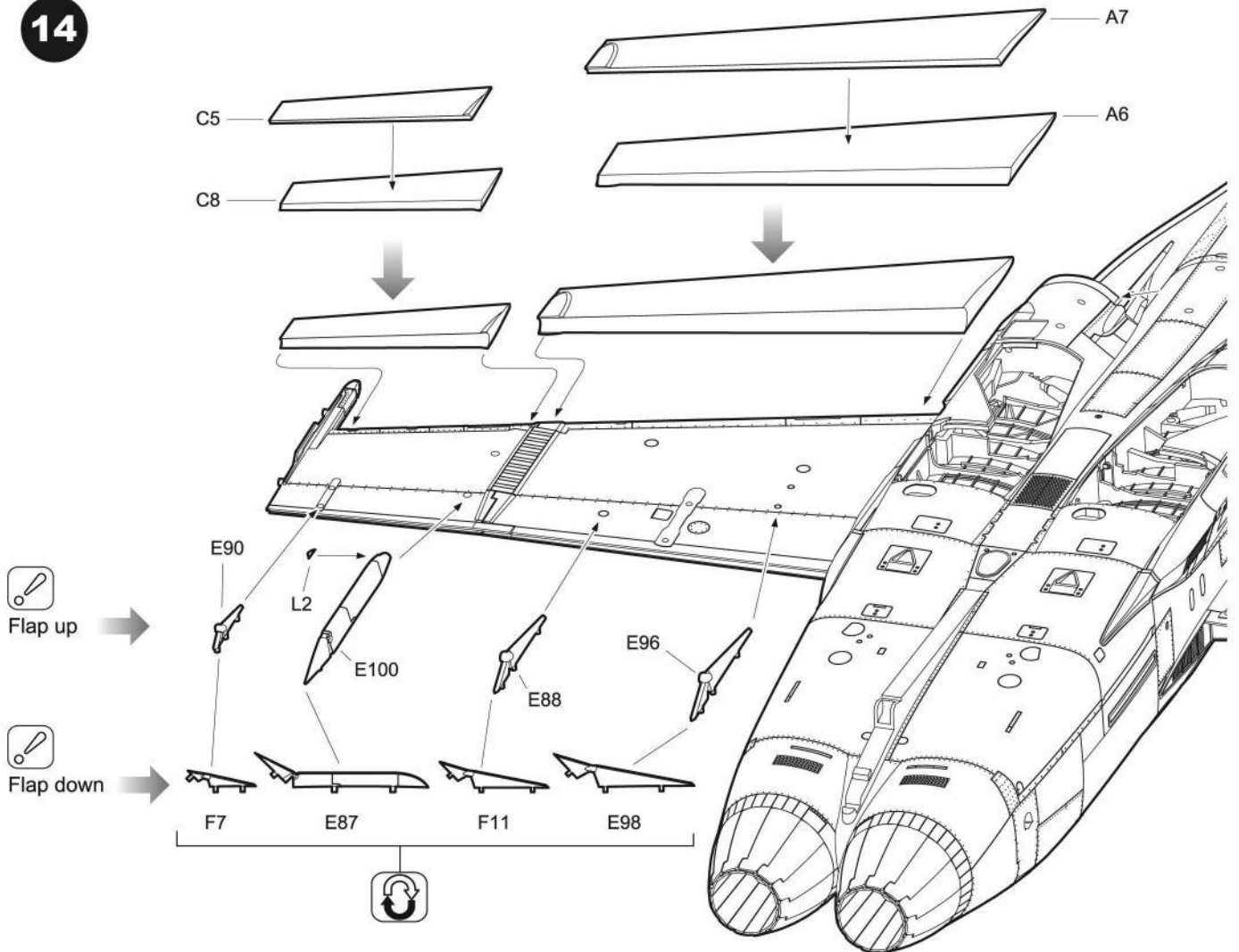
12



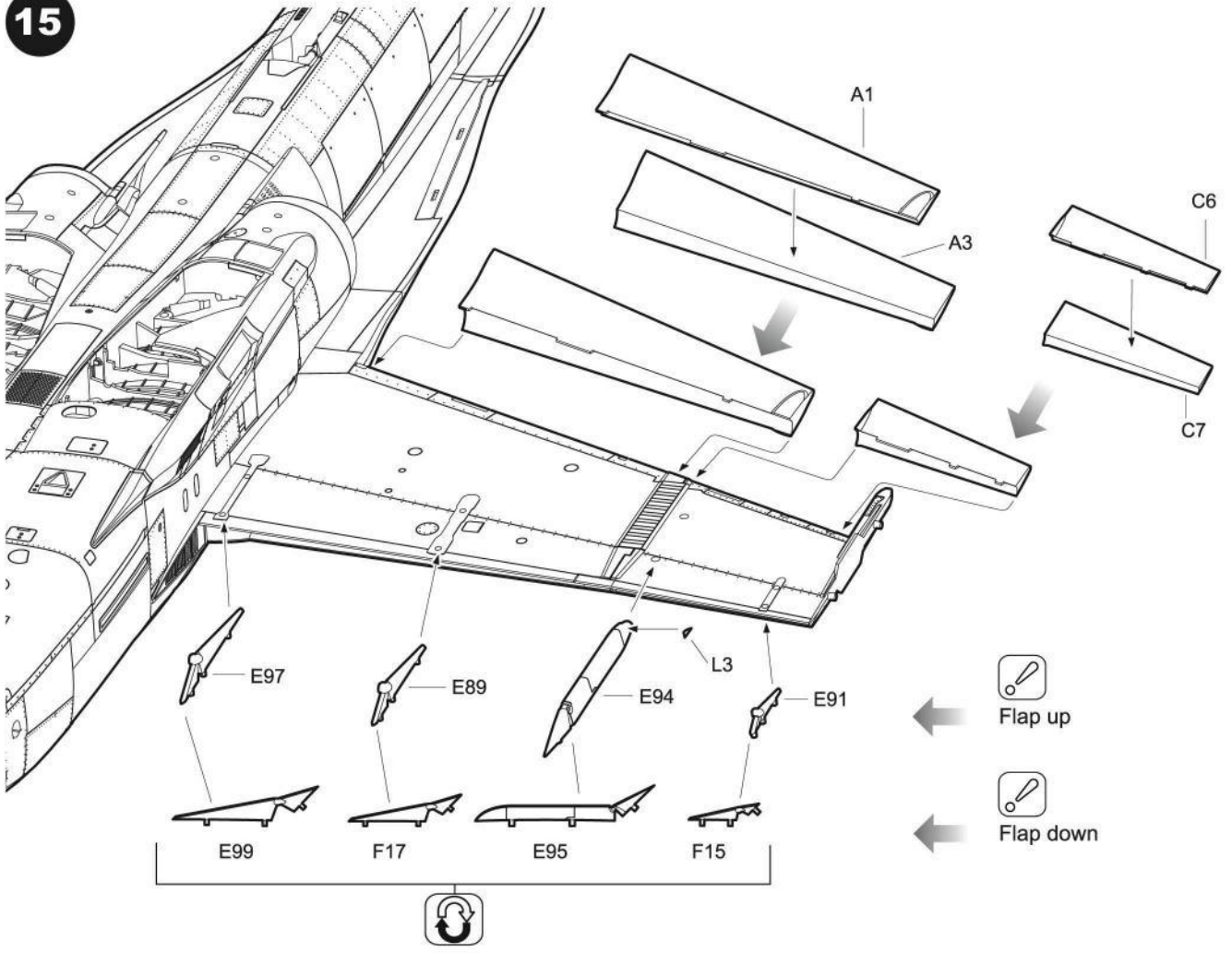
13



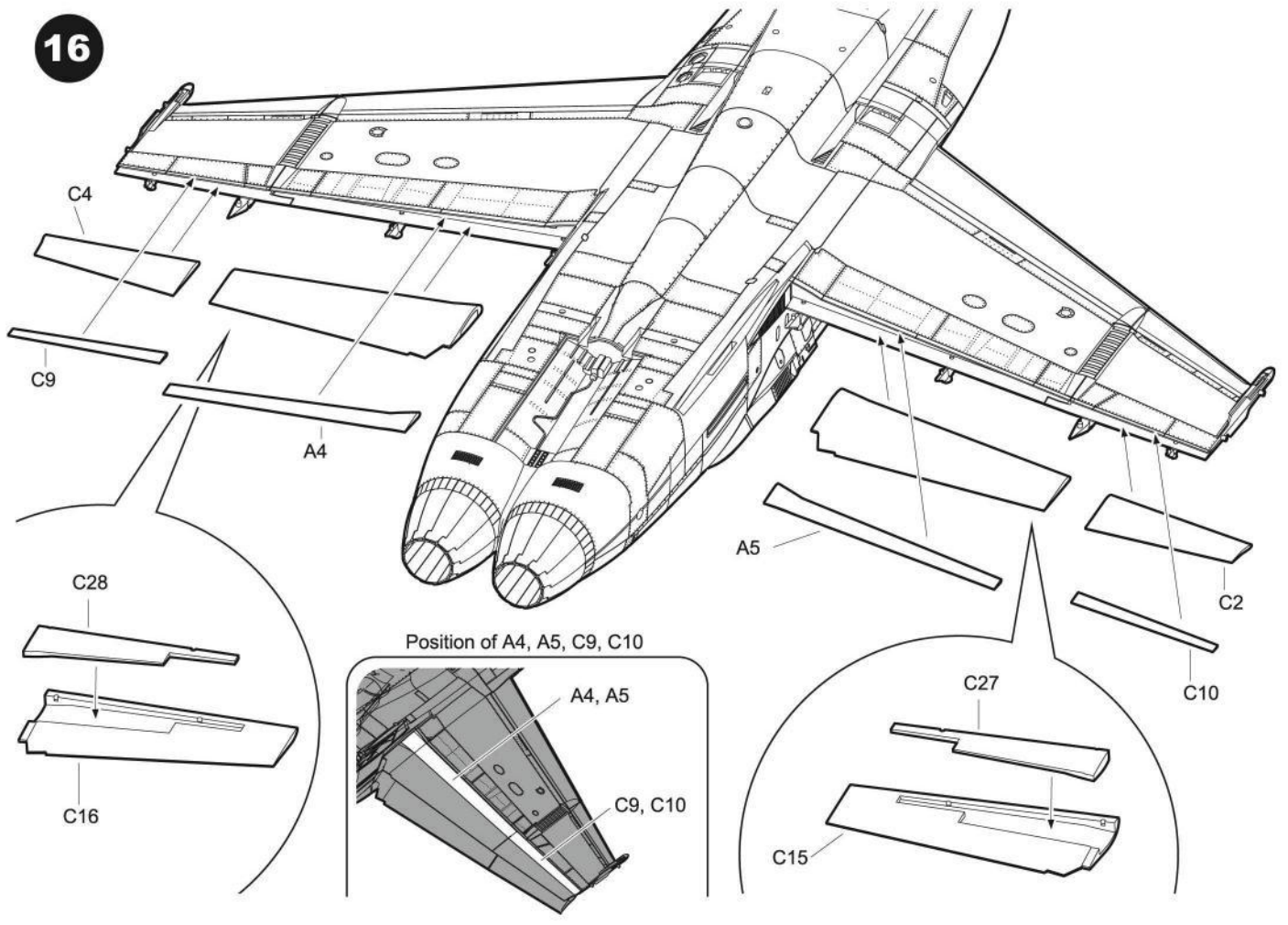
14



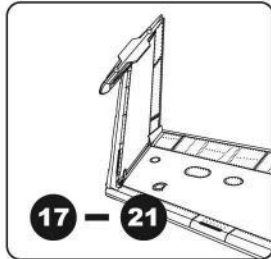
15



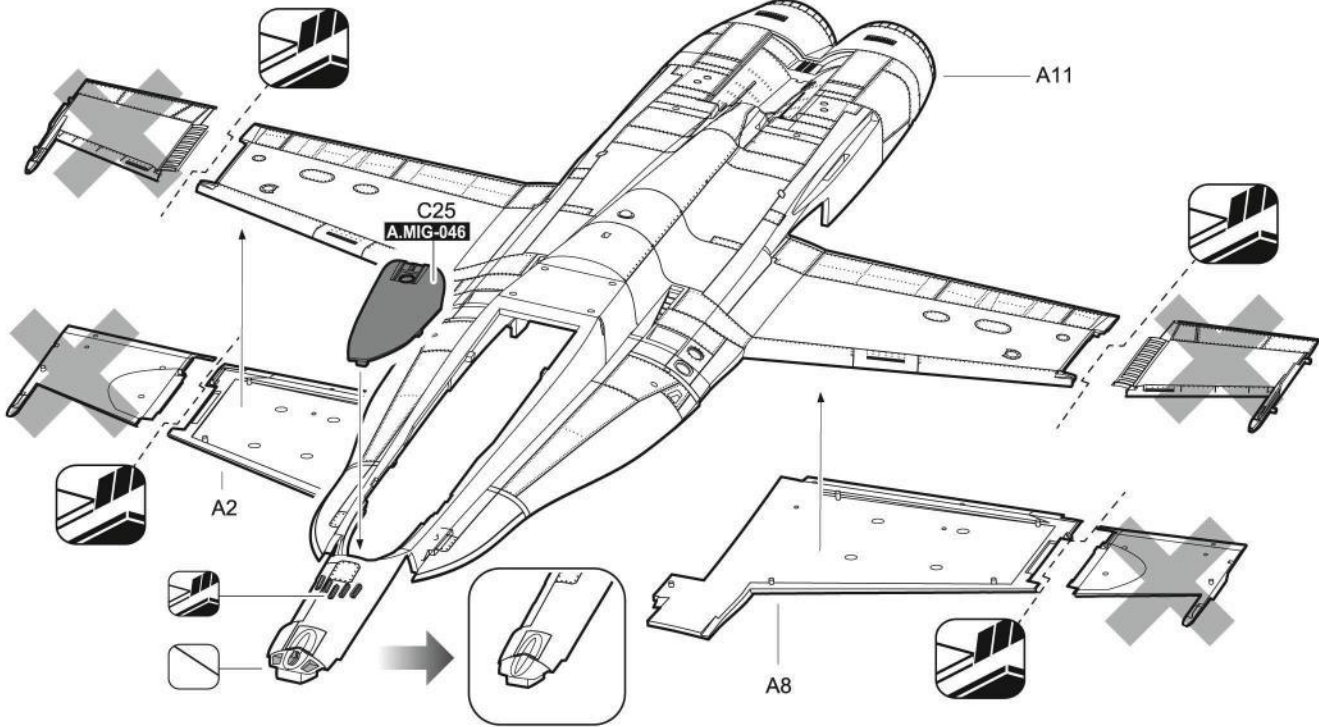
16



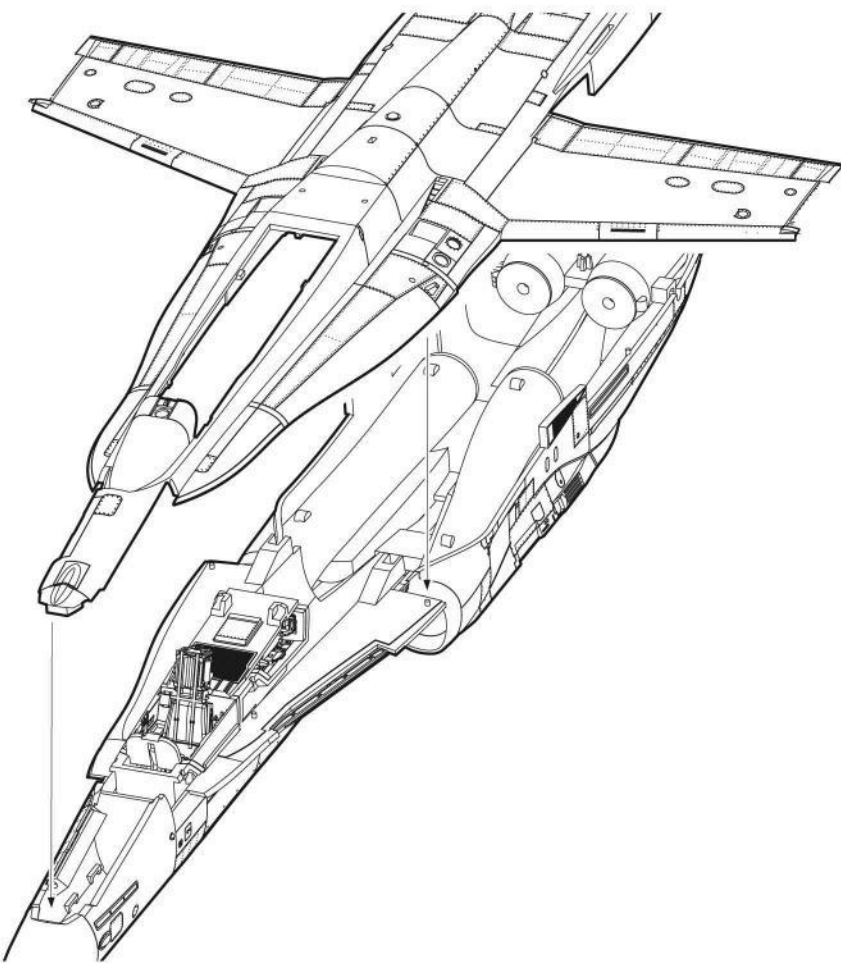
17



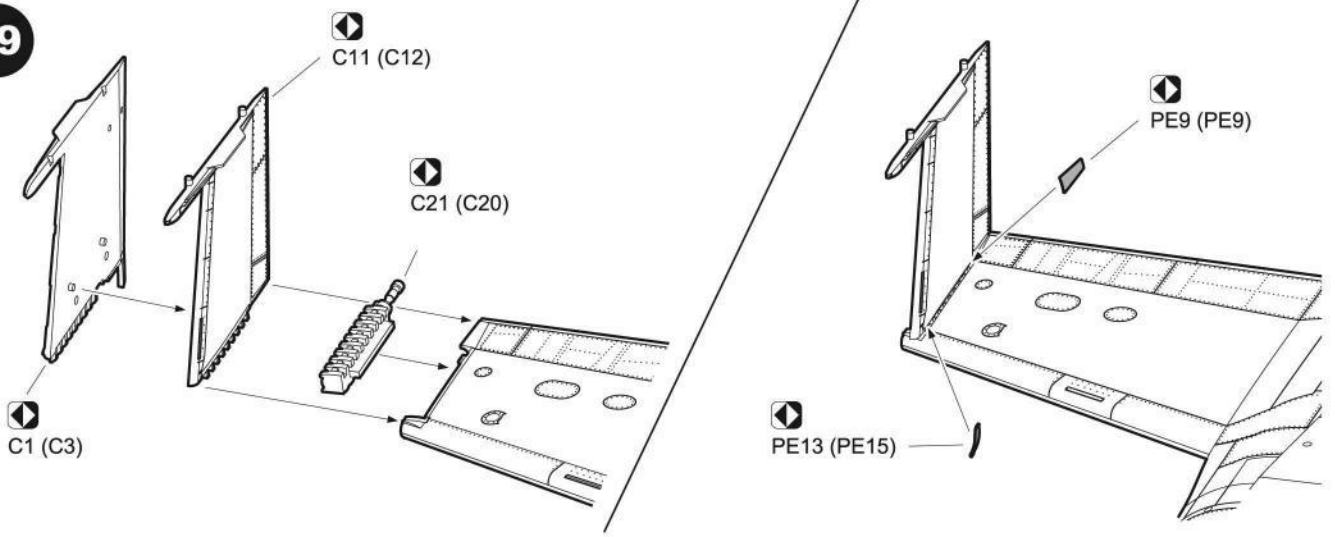
Fold Wings



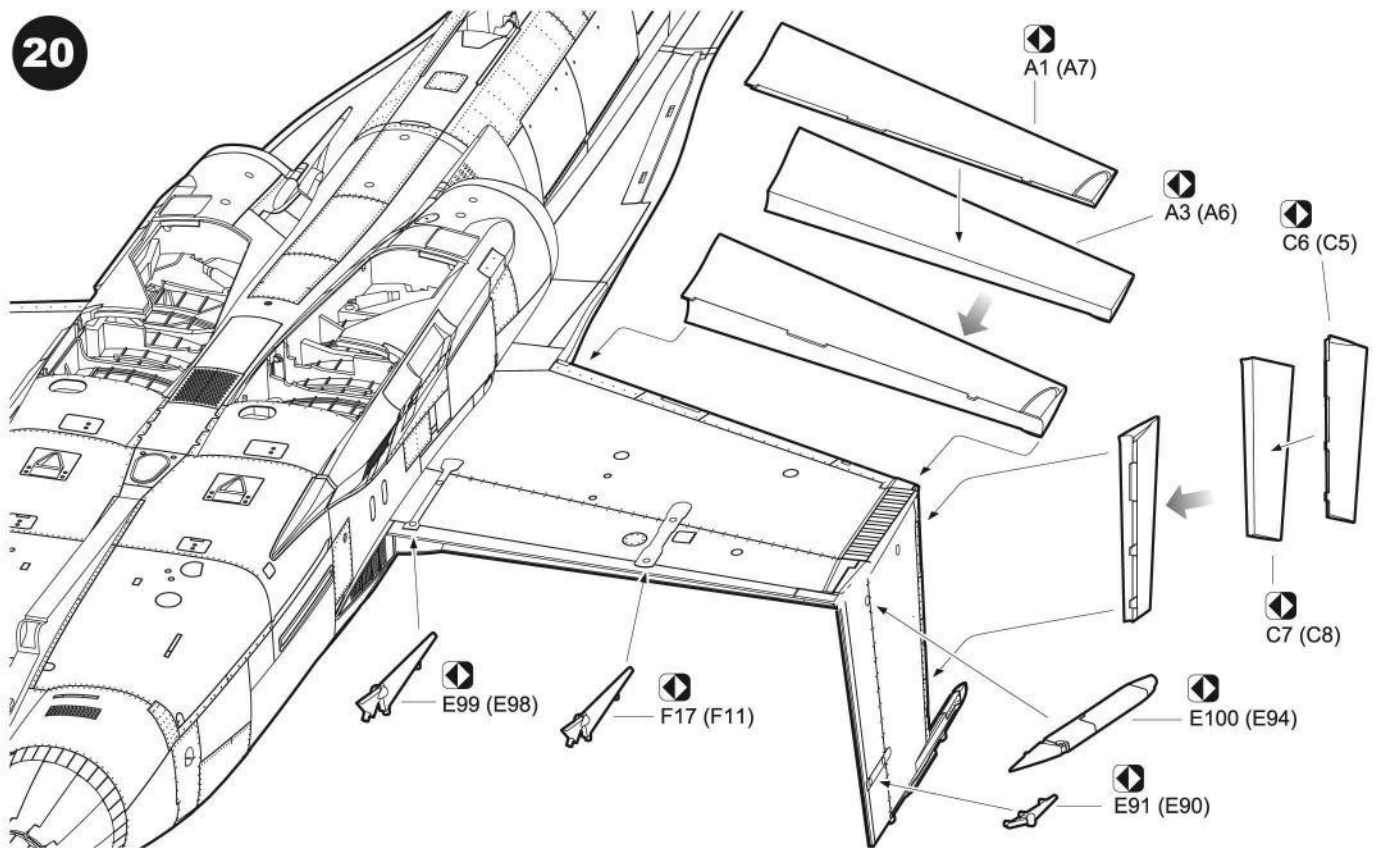
18



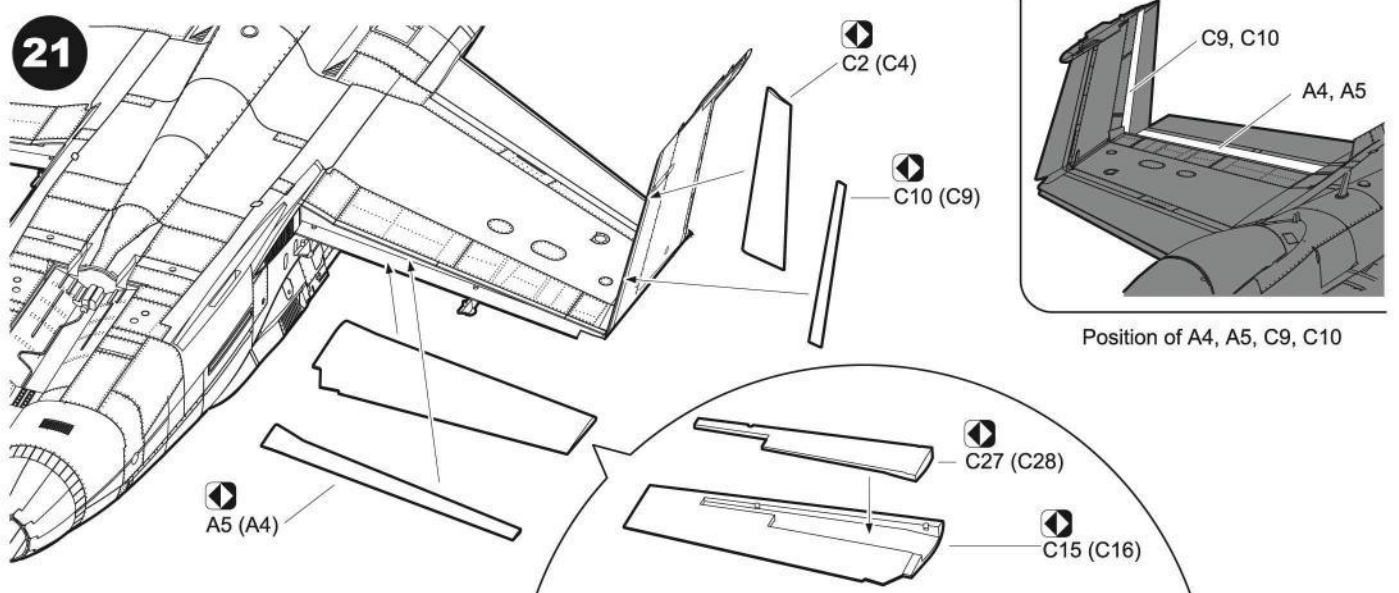
19

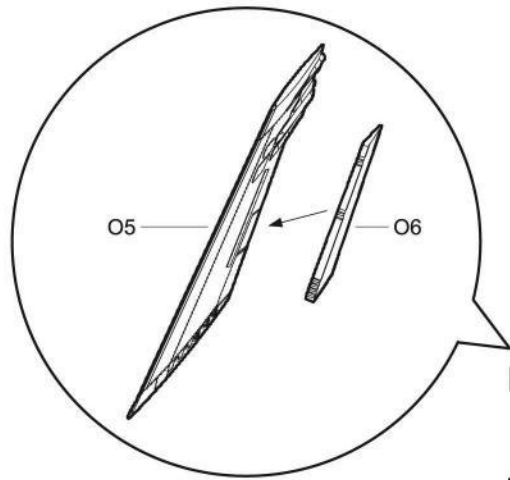
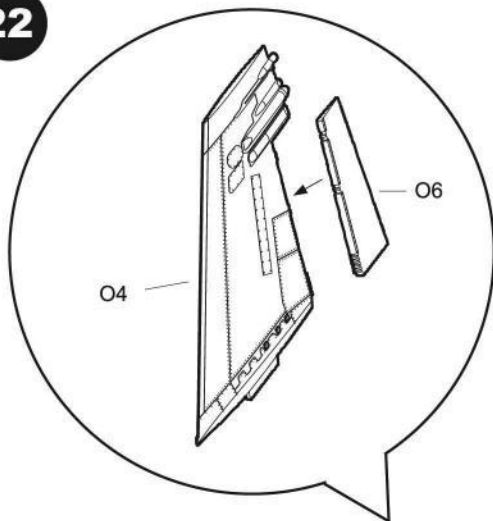


20



21





F/A-18A/B



F/A-18C/D

F/A-18C



F/A-18A/B



F/A-18C/D

D2

A6

PE3

A10
A.MIG-011
inside

E10
A.MIG-011

D1

A10
A.MIG-011
inside

PE3

A6

E86

E19

E20

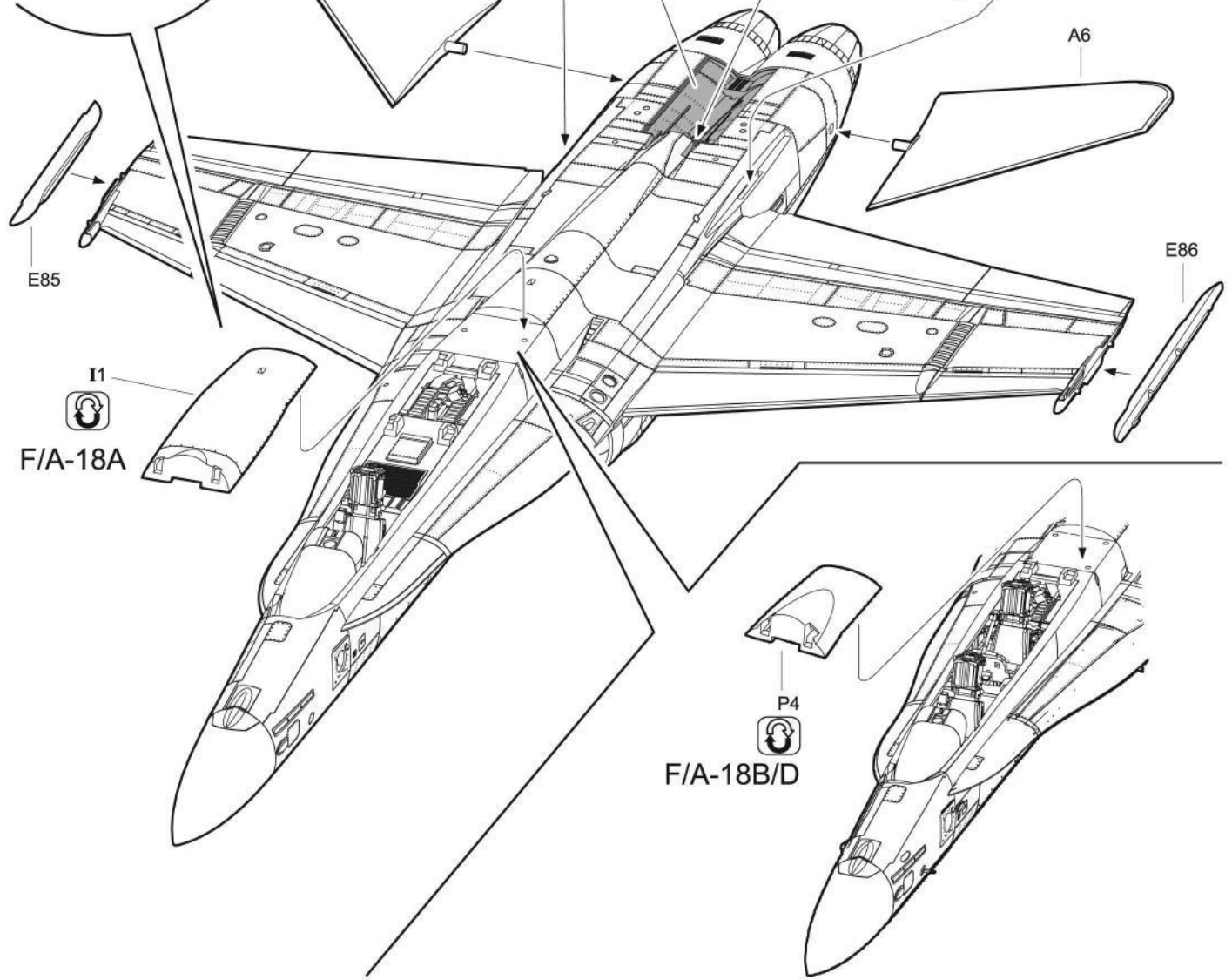
E85

I1

F/A-18A

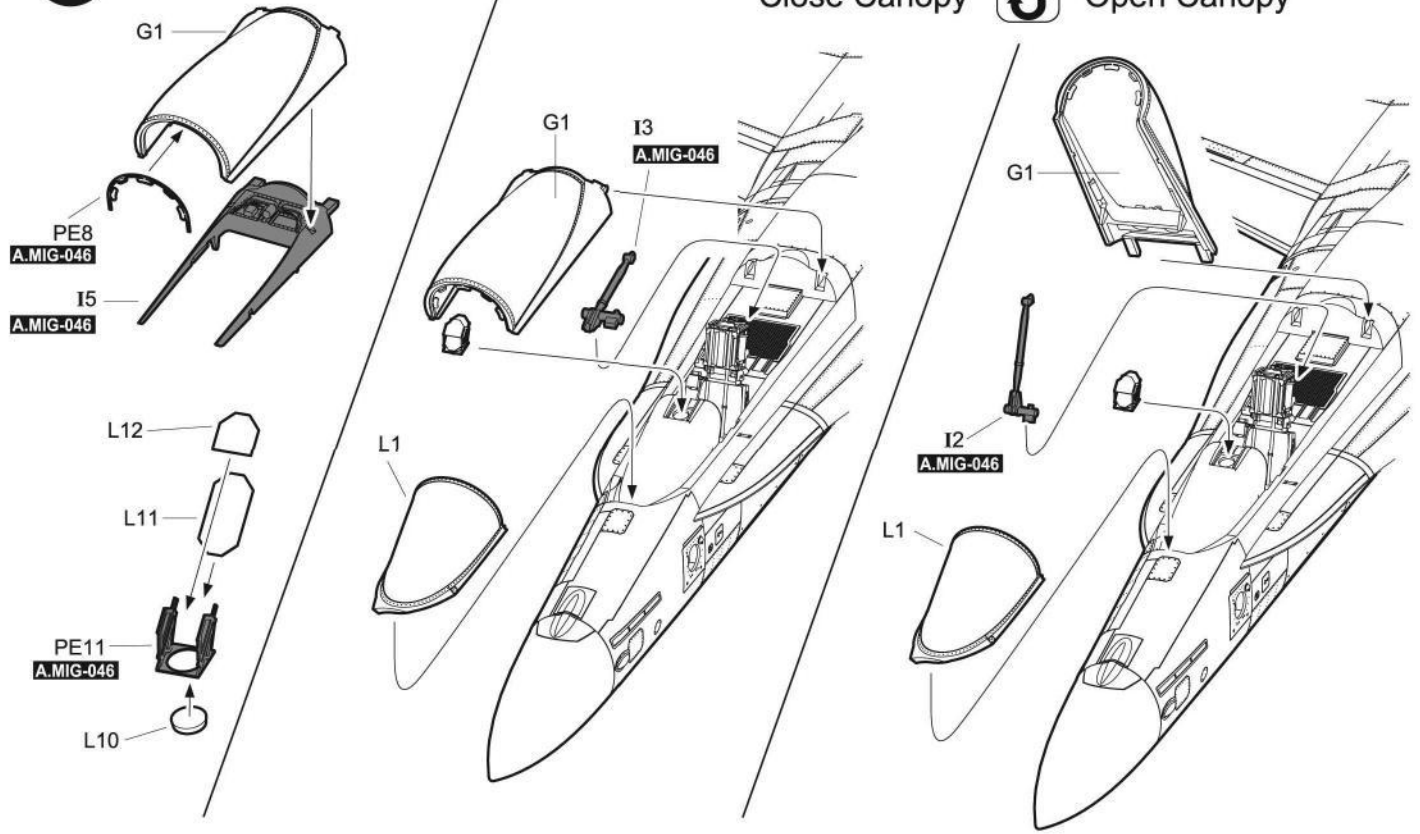
P4

F/A-18B/D



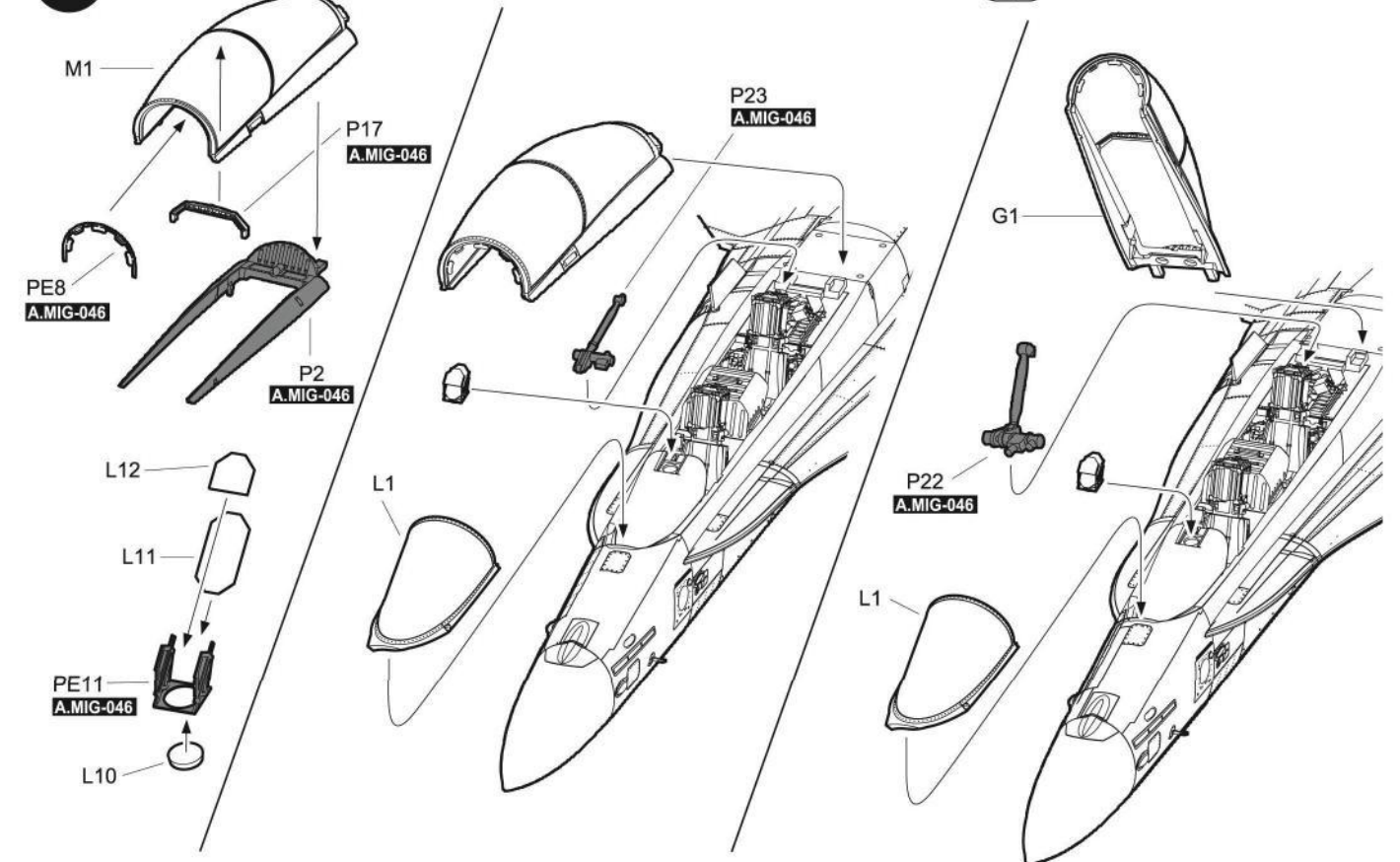
23

Close Canopy  Open Canopy

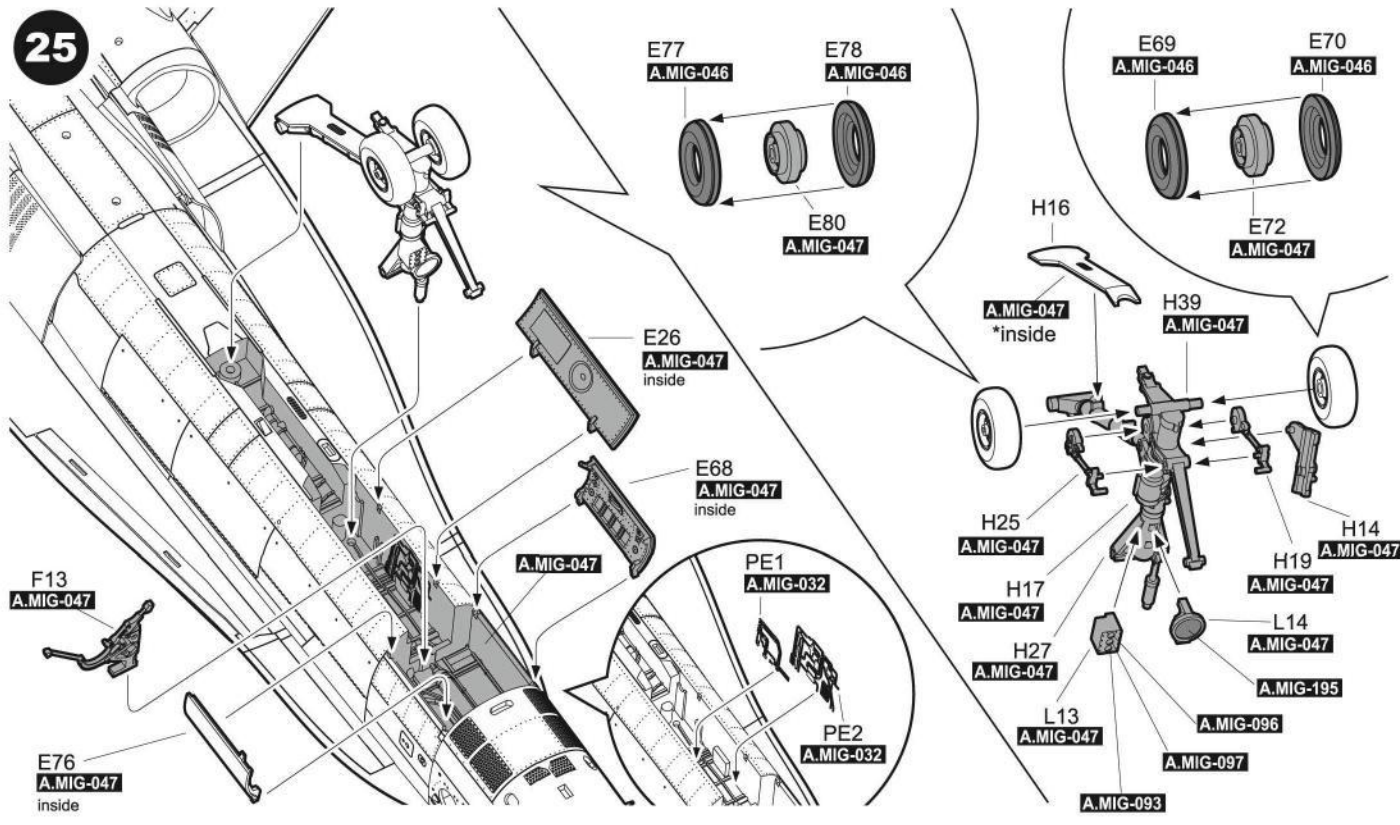


24

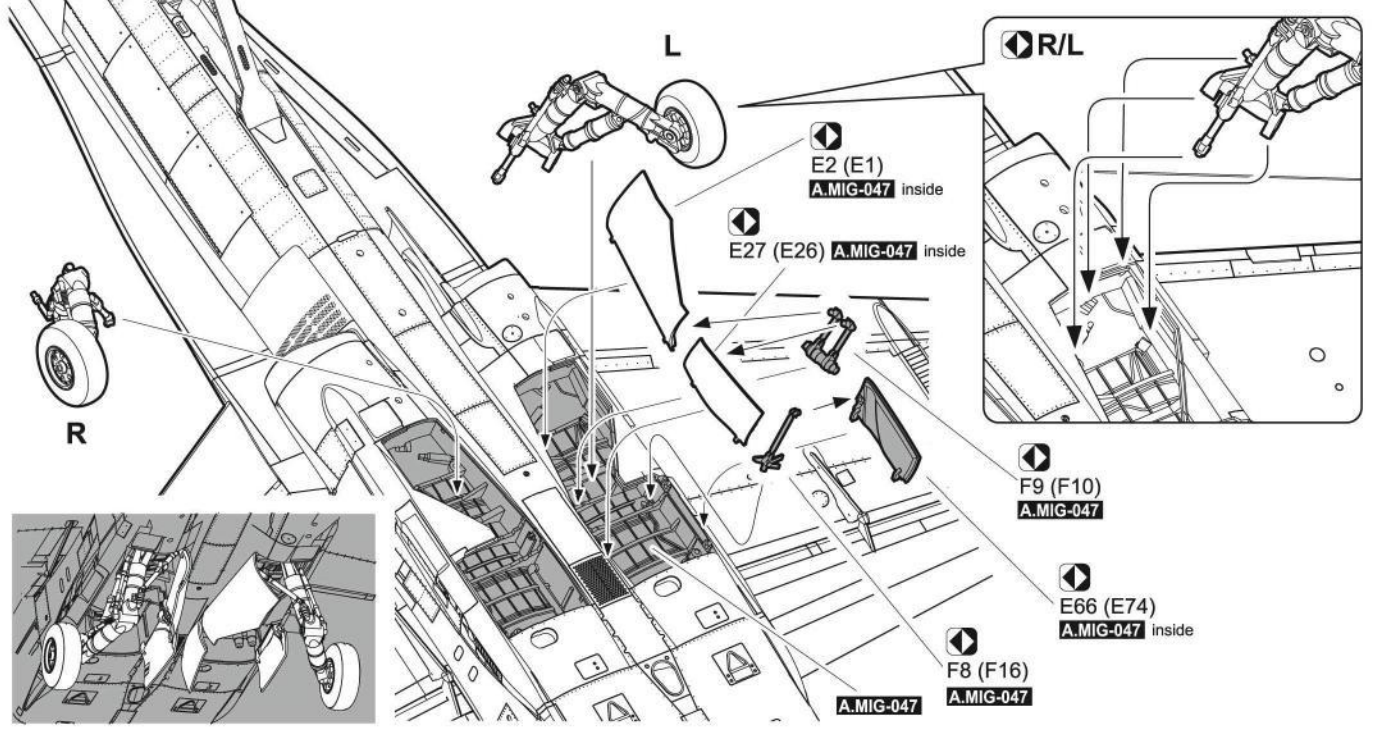
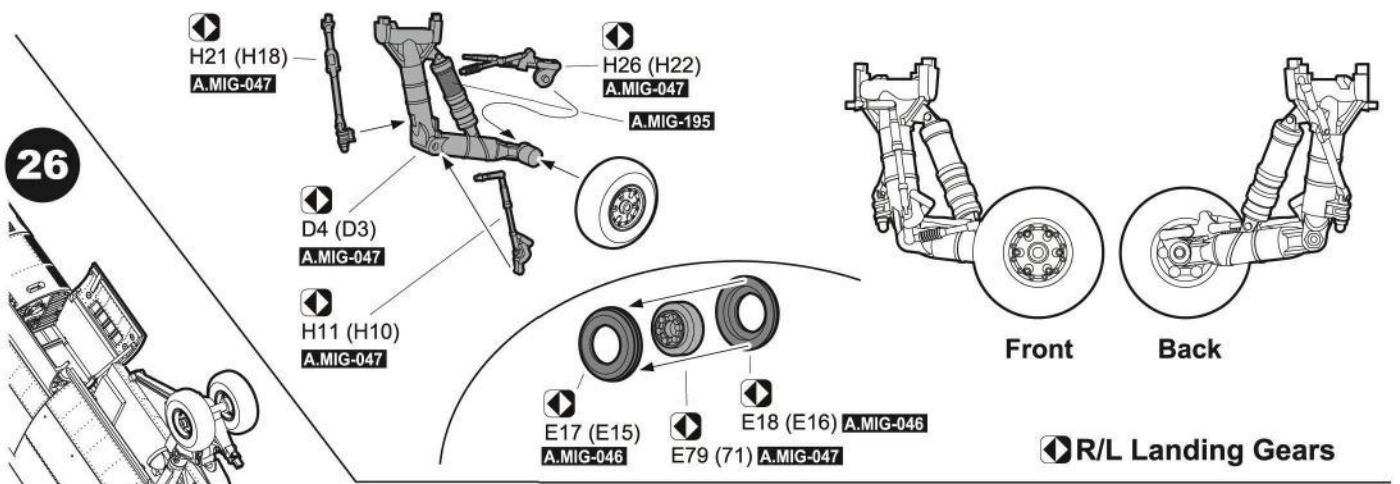
Close Canopy  Open Canopy



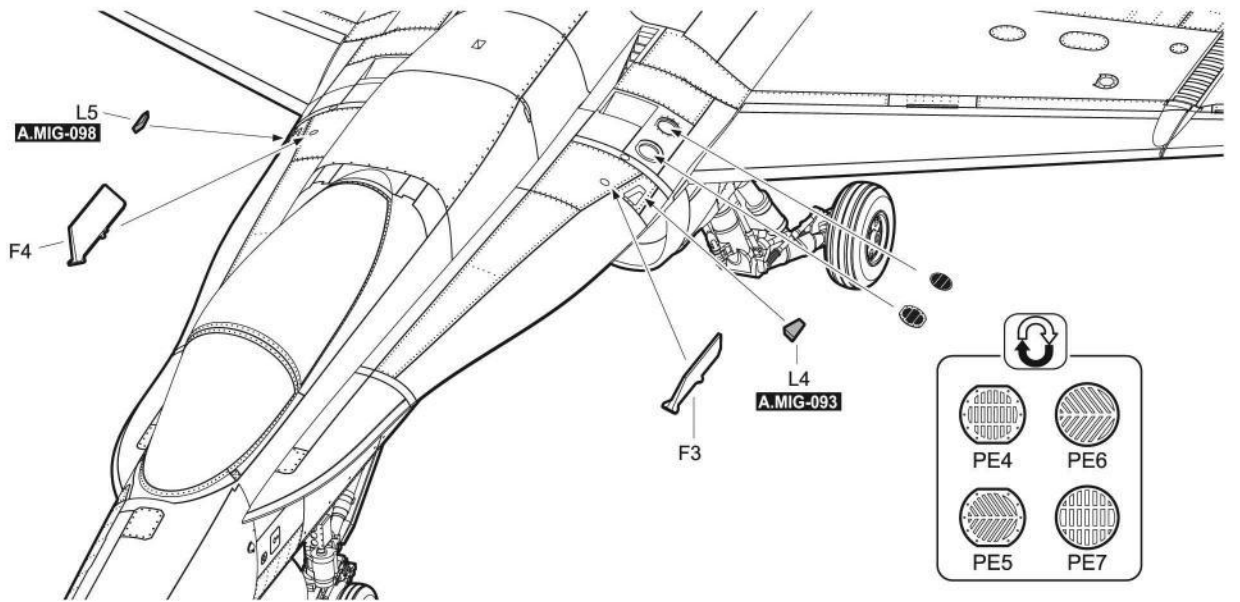
25



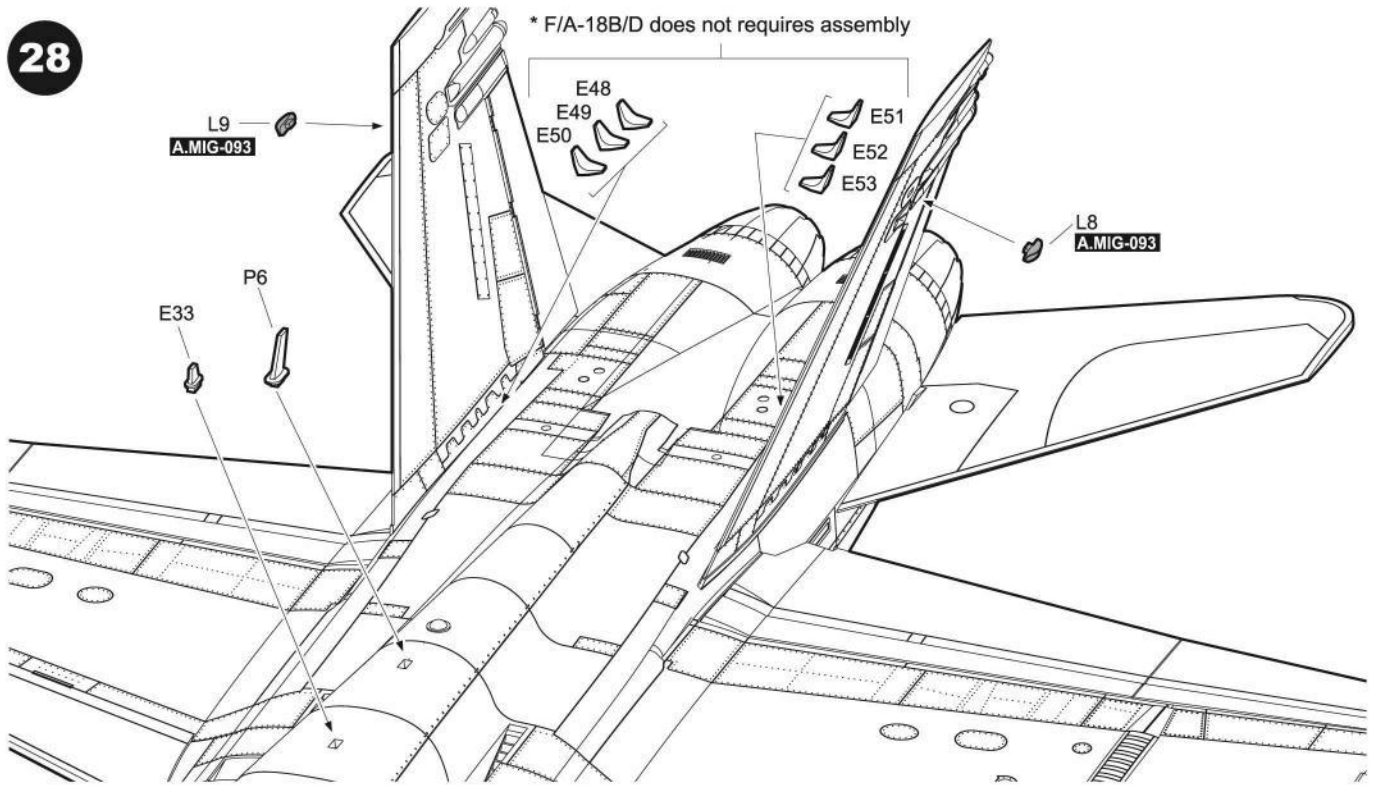
26



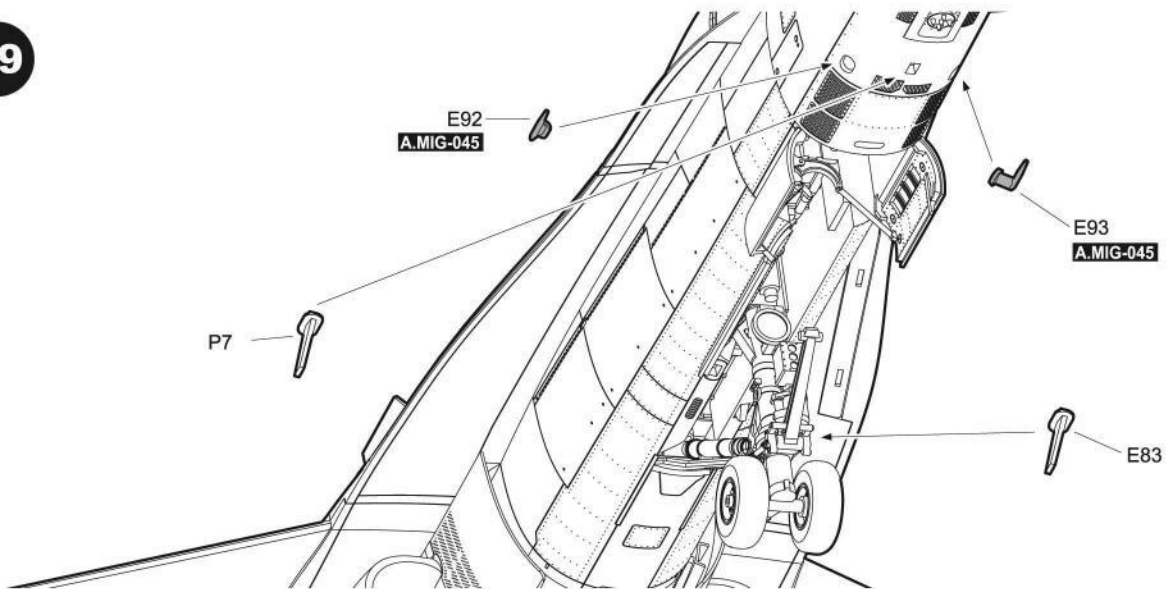
27



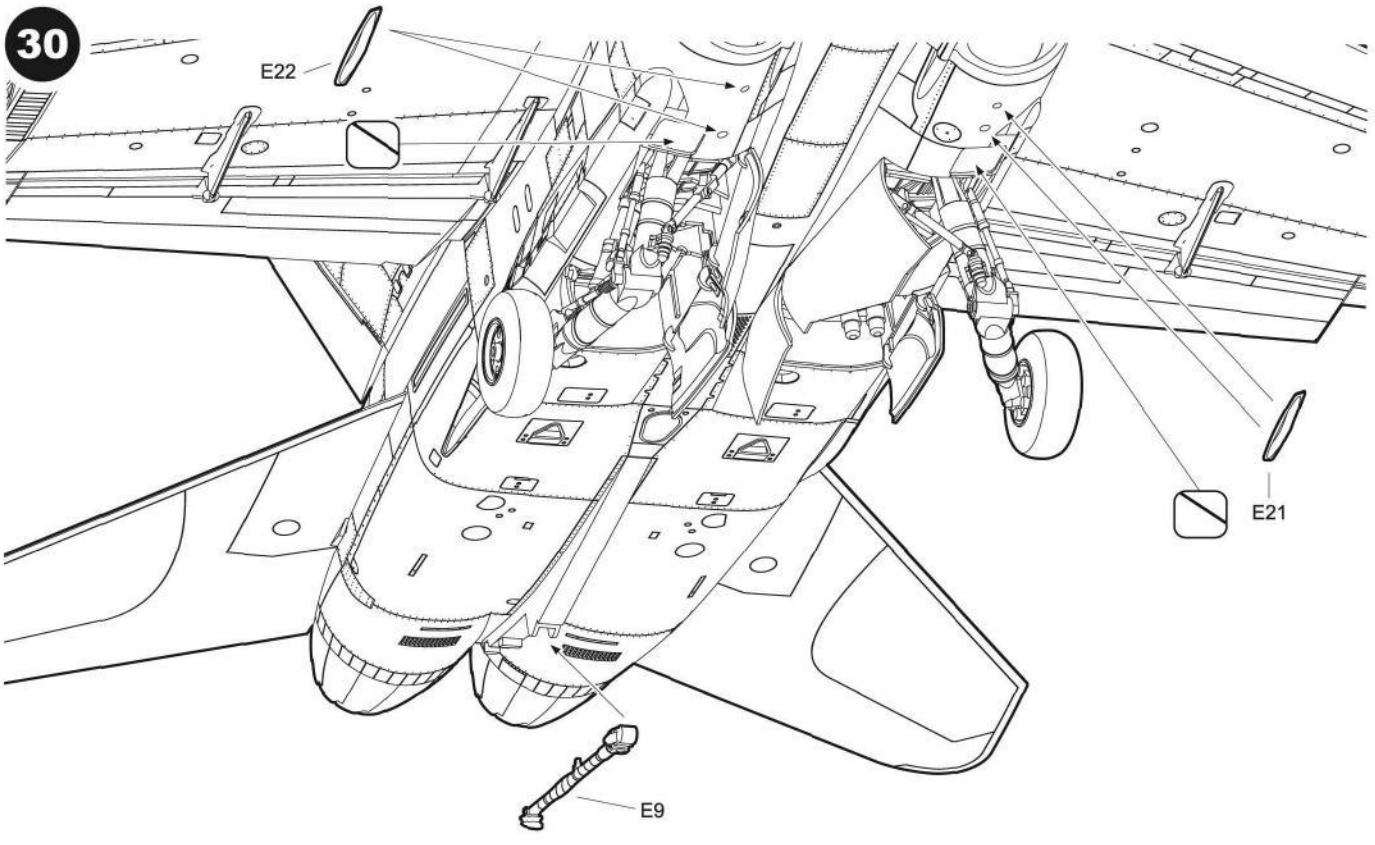
28



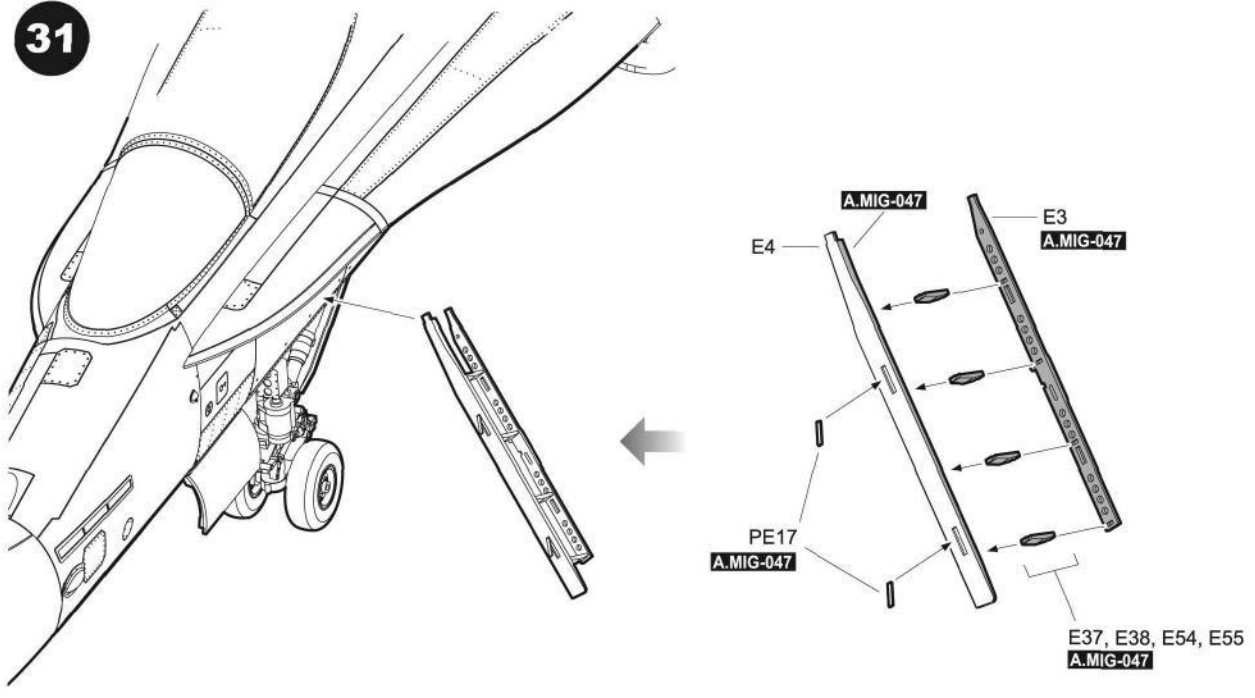
29



30



31



F/A-18C Blue Angels painting & markings



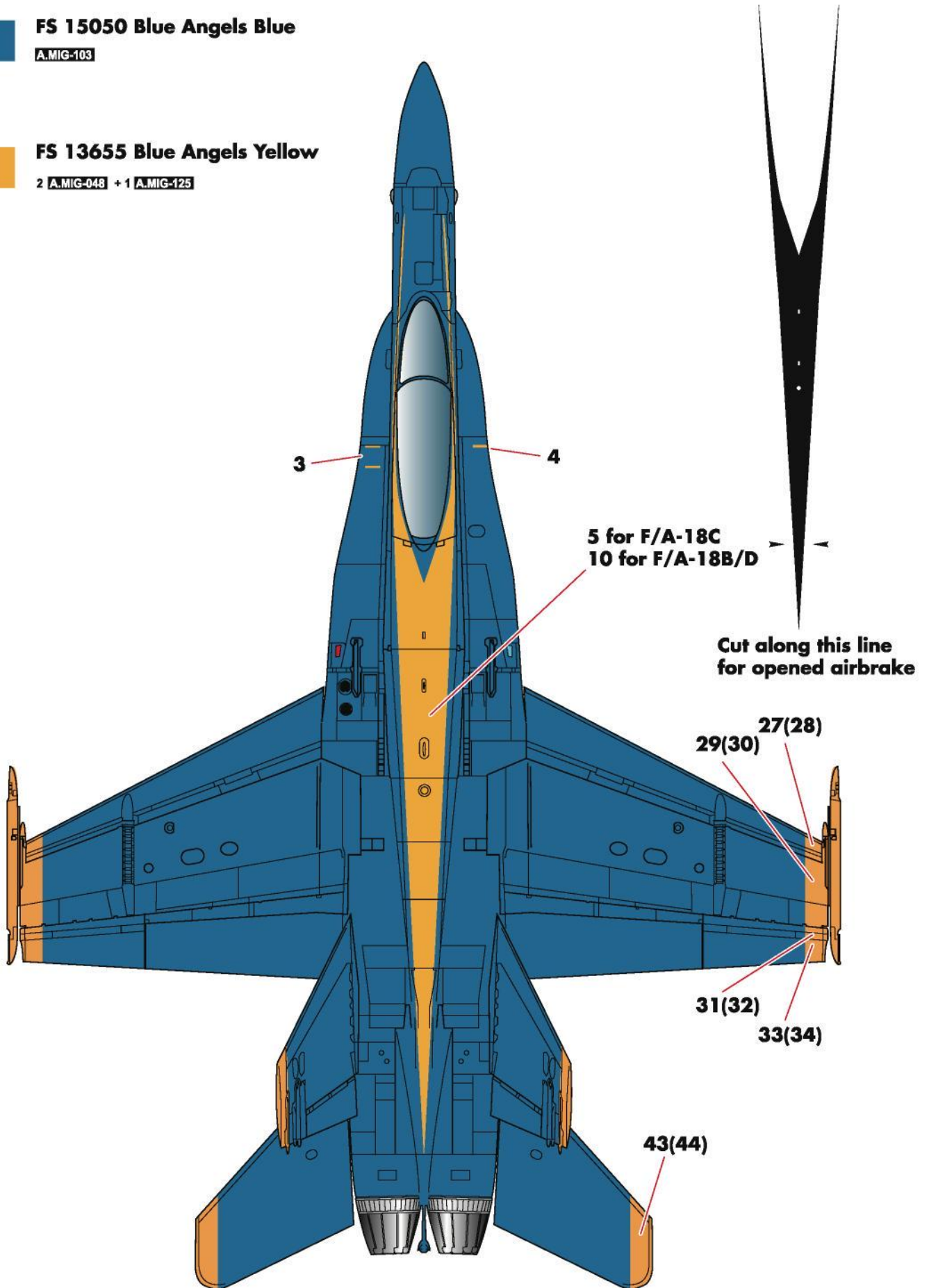
FS 15050 Blue Angels Blue

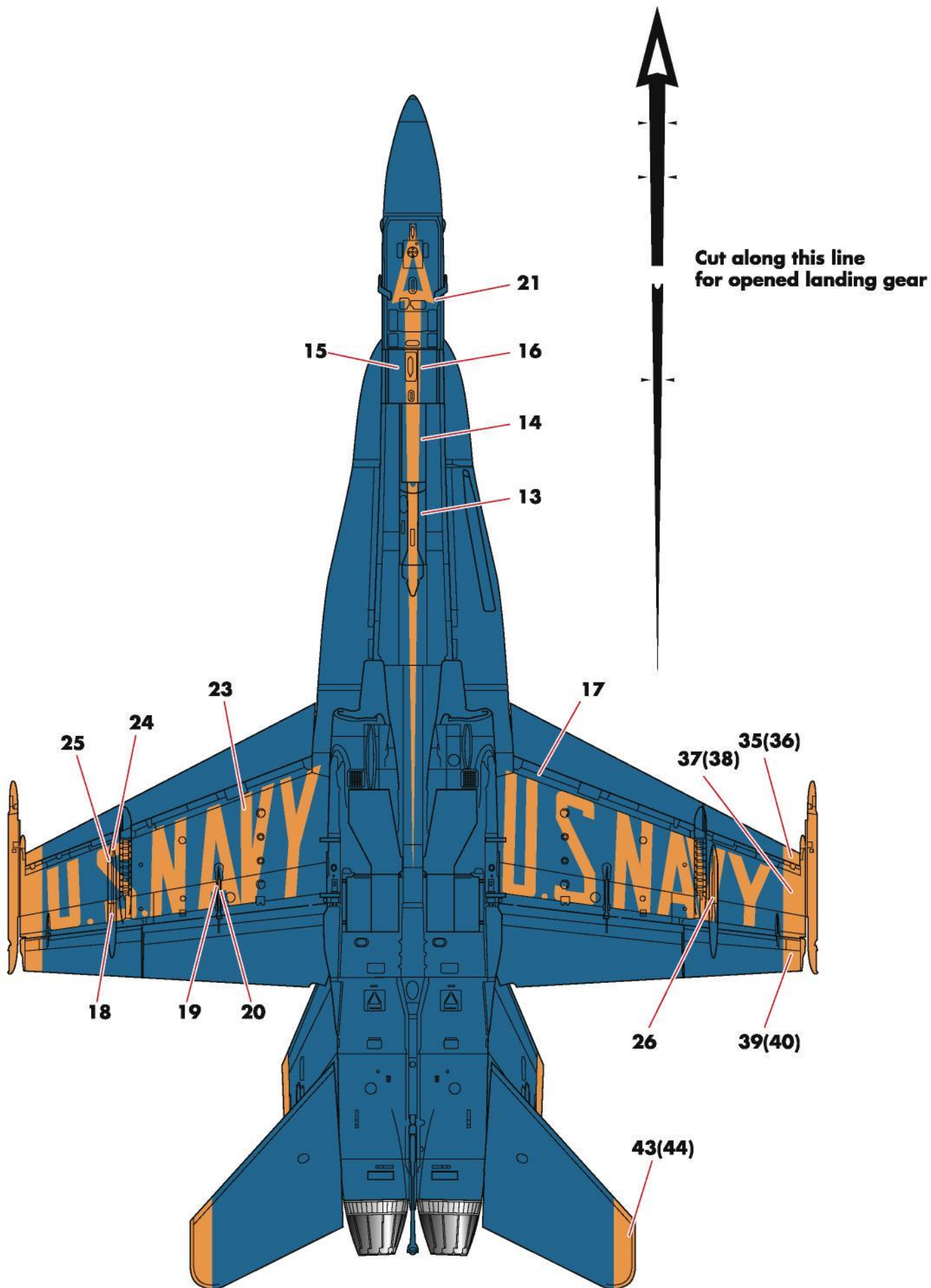
A.MIG-103



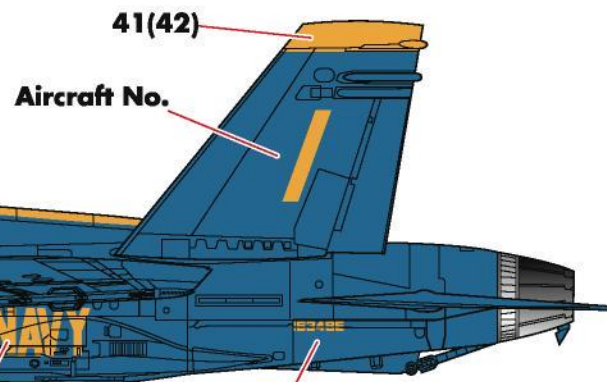
FS 13655 Blue Angels Yellow

2 A.MIG-048 + 1 A.MIG-125

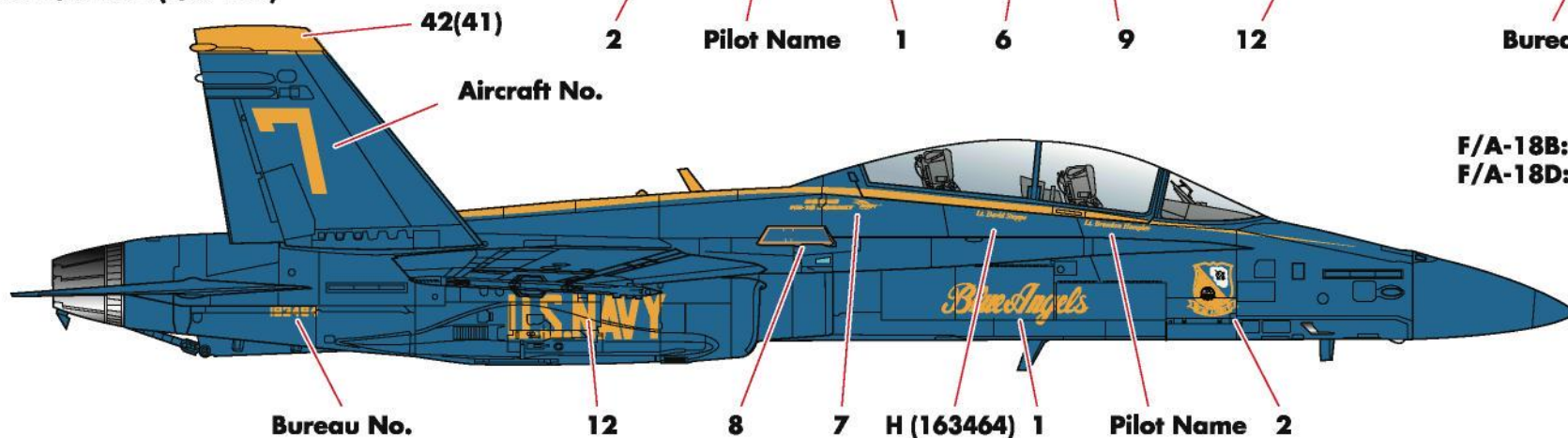




F/A-18C



41/42: Cut along this line for A/C no.2 (F/A-18B)



F/A-18B: 162885 (No.2)
 F/A-18D: 163468 (No.4)
 163464 (No.7)

Aircraft No.	1	2	3	4	5	6	7
Position	Flight Leader / Commanding Officer	Right Wing	Left Wing	Slot	Lead Solo	Opposing Solo	Narrator / Events Coordinator
Pilot (marking)	A Cdr. Ryan Bernacchi	B Lt. Damon Kroes	C Lt. Nate Scott	D Lt. Lance Benson	E Cdr. Frank Weisser	F Lt. Tylor Davies	G Lt. Brandon Hempler H Lt. David Steppe
Bu.No. Mar. 2017	163485	163451	163439	163468 †	163444	163741	163464 †
May. 2017	163485	162885 ††	163439	163468 †	163451	163444	163464 †

† F/A-18D †† F/A-18B