

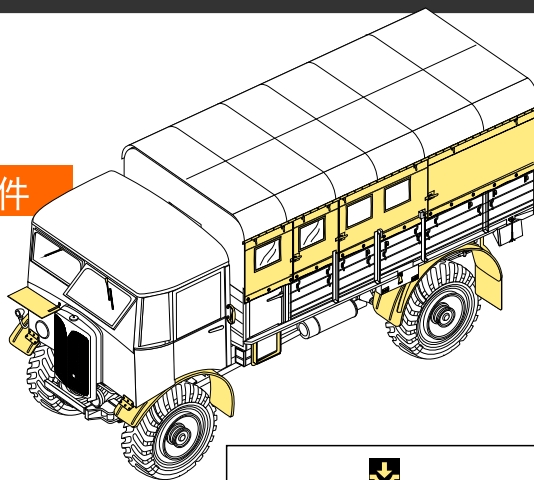
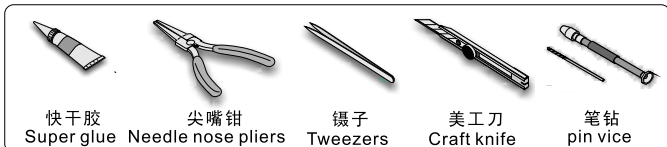
1/35 MILITARY MINIATURE VEHICLE UPGRADE SERIES PE35734

WWII British AEC Matador truck early vision

二战英军 AEC “斗牛士” 卡车早期型 基本改造件

[For AFV CLUB Af35236]

推荐使用工具 RECOMMENDED TOOLS



- 安装
install
- 折叠
bend
- A1**

改造件零件编号
PE/resin part number
- B12**

原零件编号
kit part number
- C22**

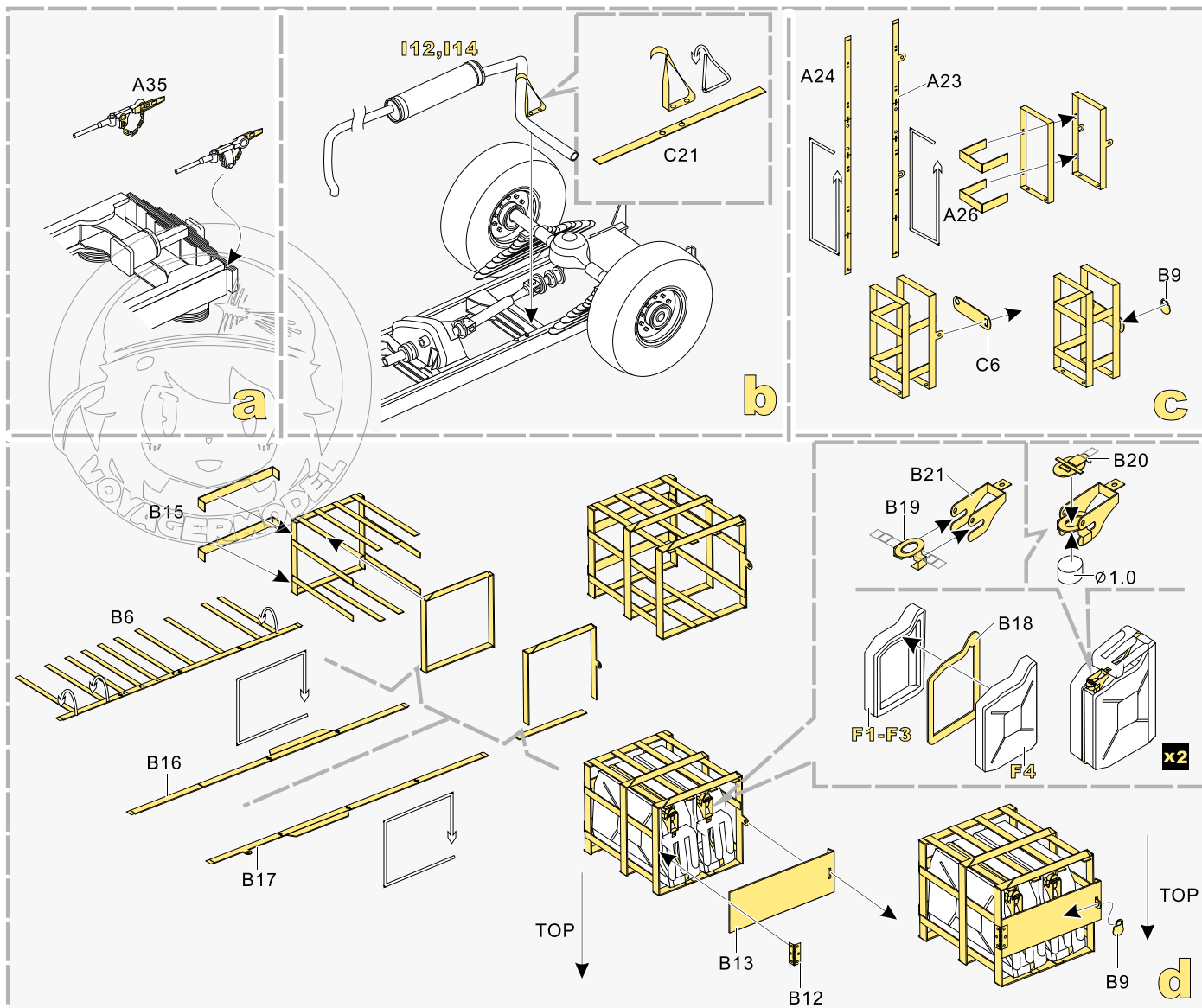
被替换的原零件编号
replaced kit part number
- 另一侧相同制作
repeat on opposite side
- 切除
remove
- 打磨
grind off
- 弧度卷曲
radial bending
- x2**

制作若干组
multiple assembly
- 选择安装
alternative
- 钻孔
drill
- 用胶棒制作
make from plastic rod

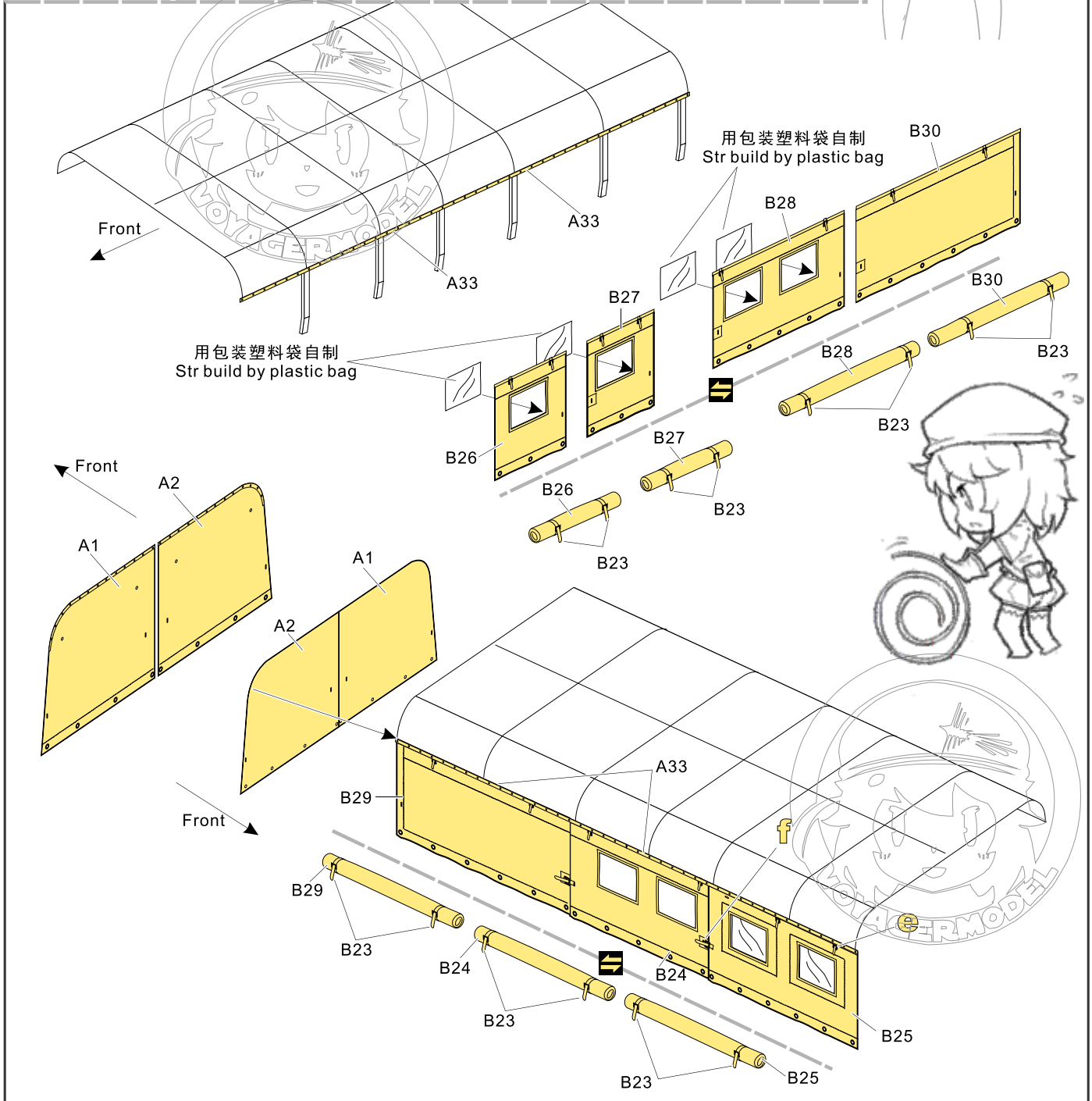
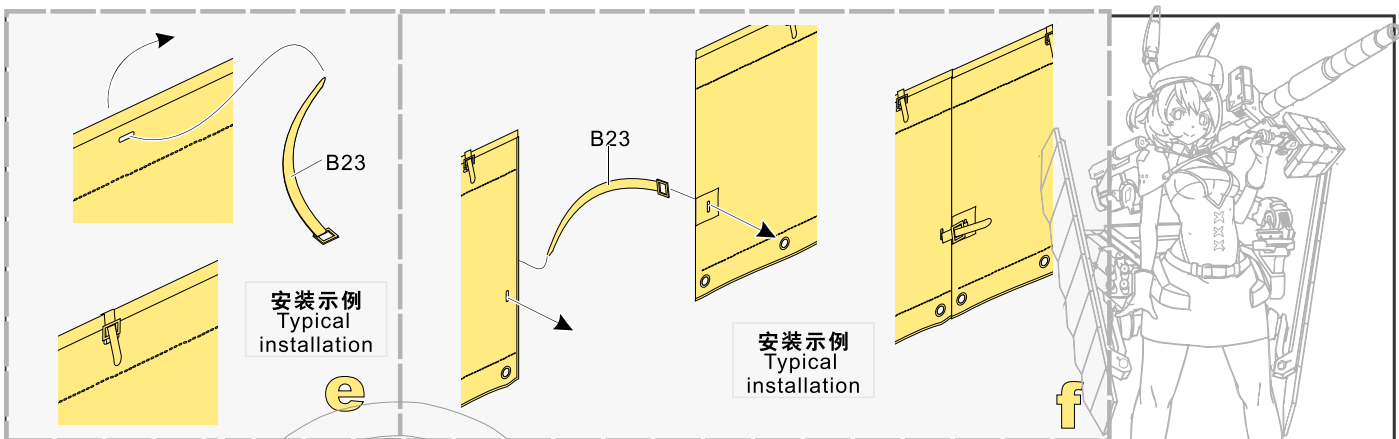
用尖端在凹槽处冲压
use penpoint to press on the dent

蚀刻片零件内侧面向上
Put the part upside down

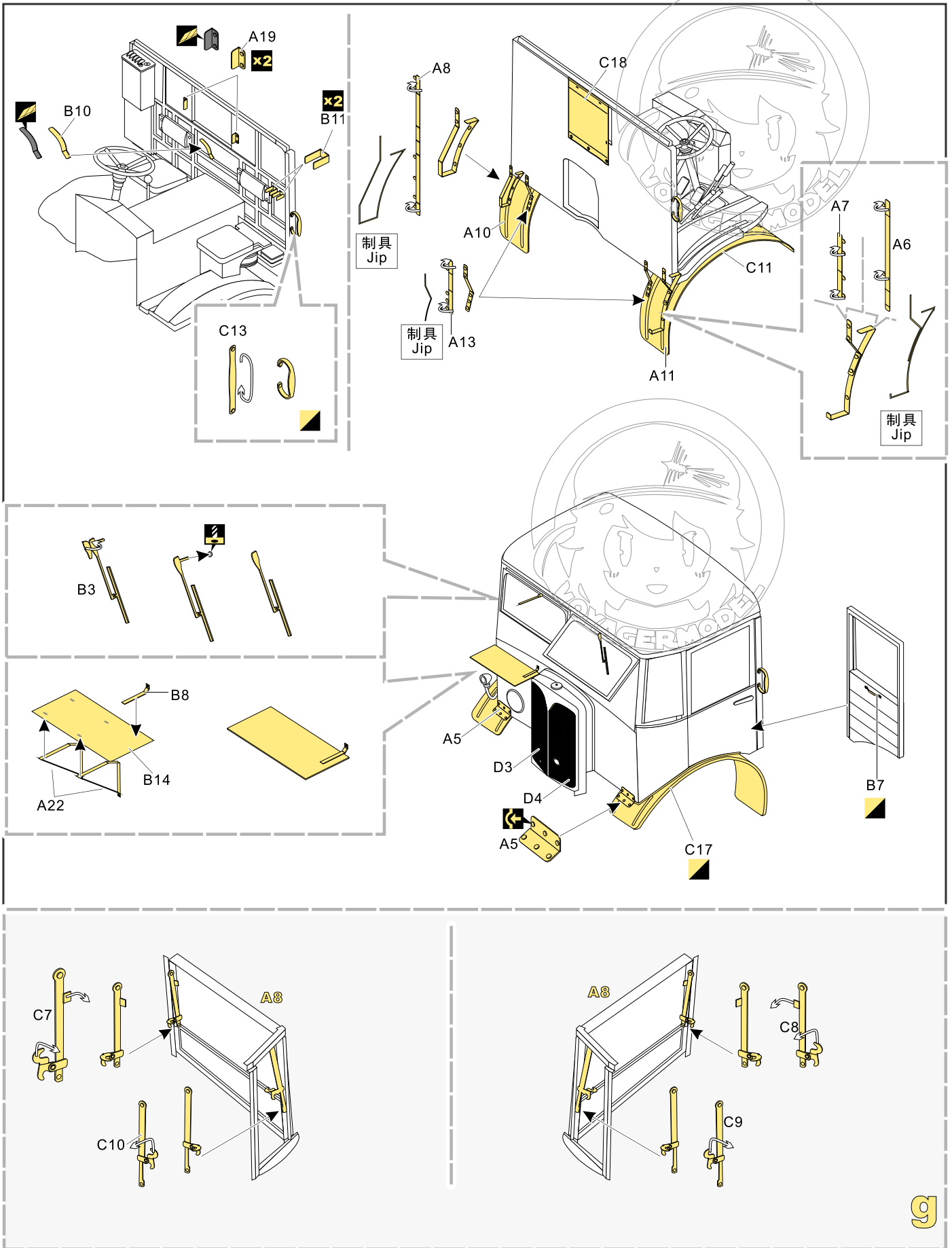
用笔尖在凹槽处刺
Use penpoint to press on the dent



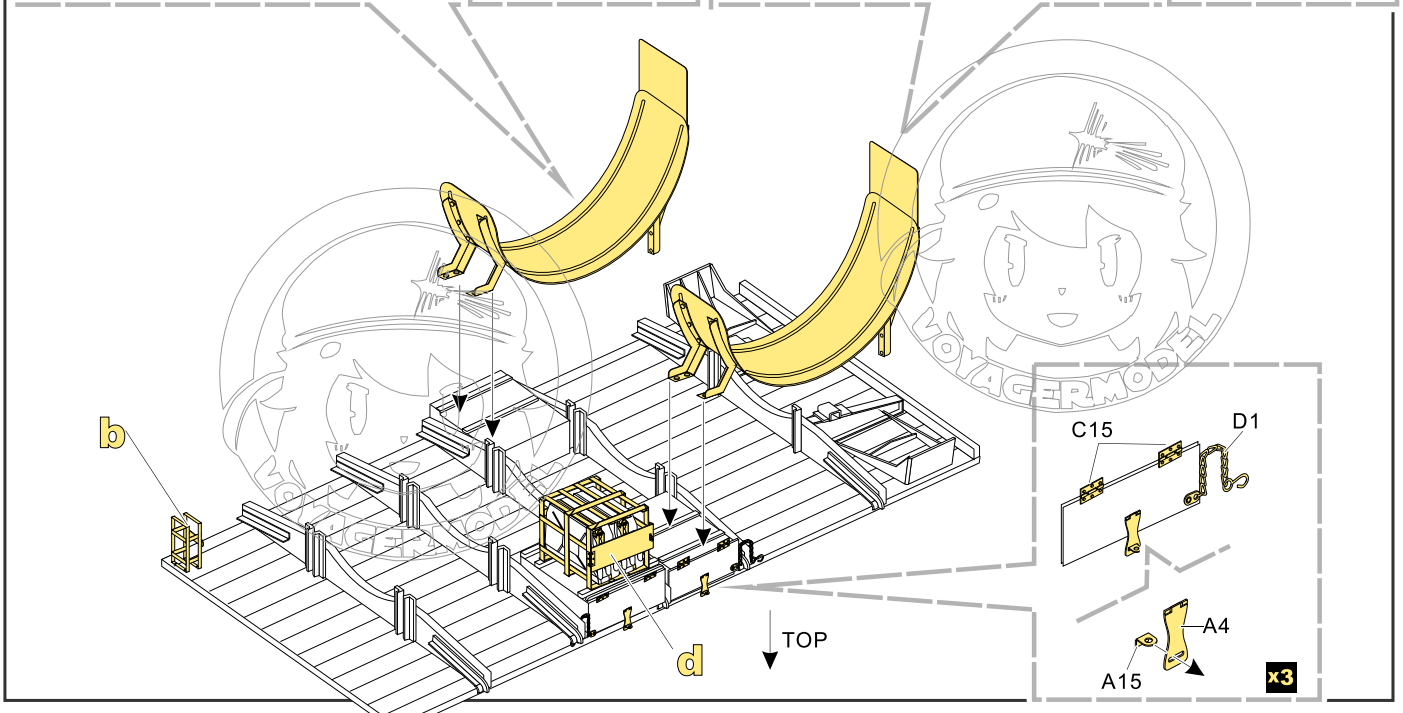
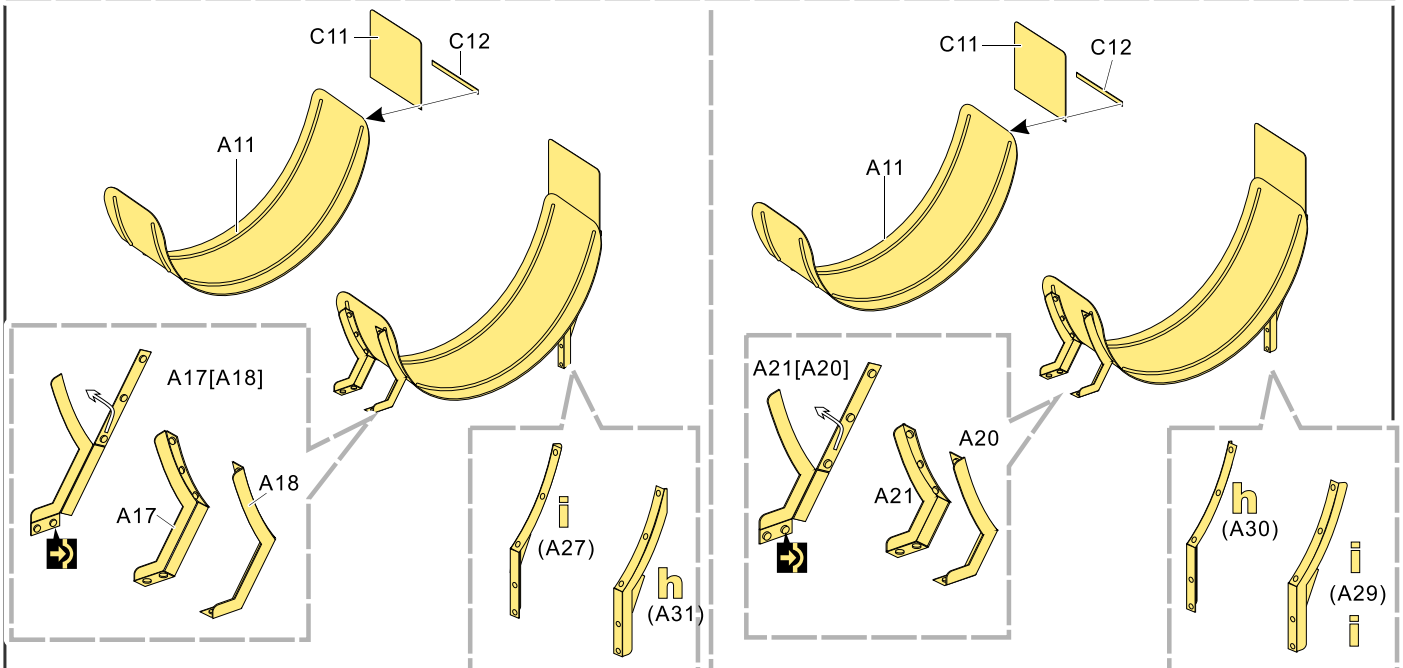
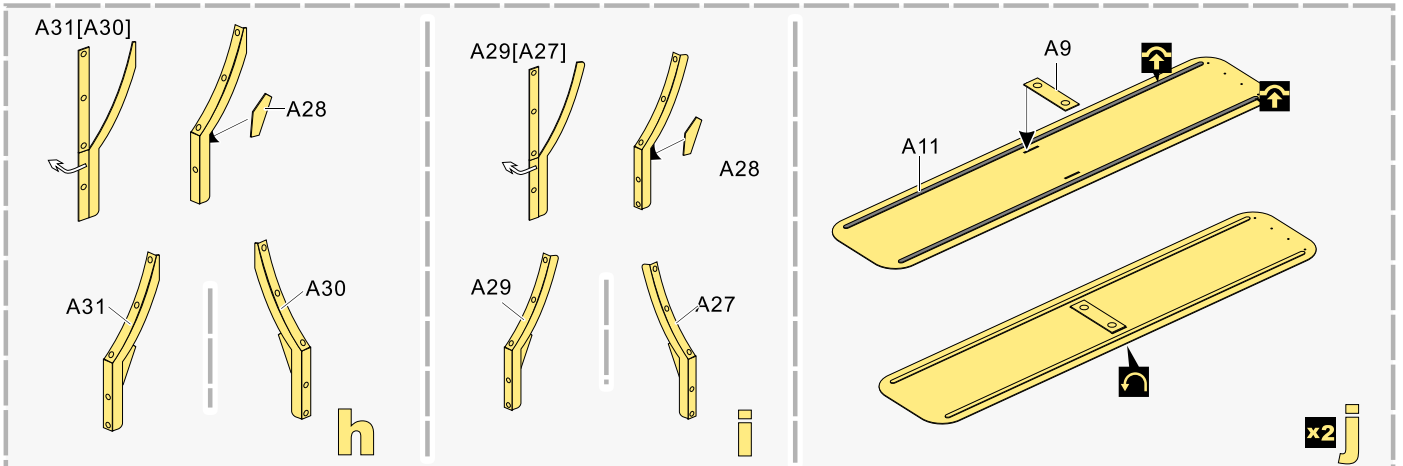
1/35 MILITARY MINIATURE VEHICLE UPGRADE SERIES PE35734



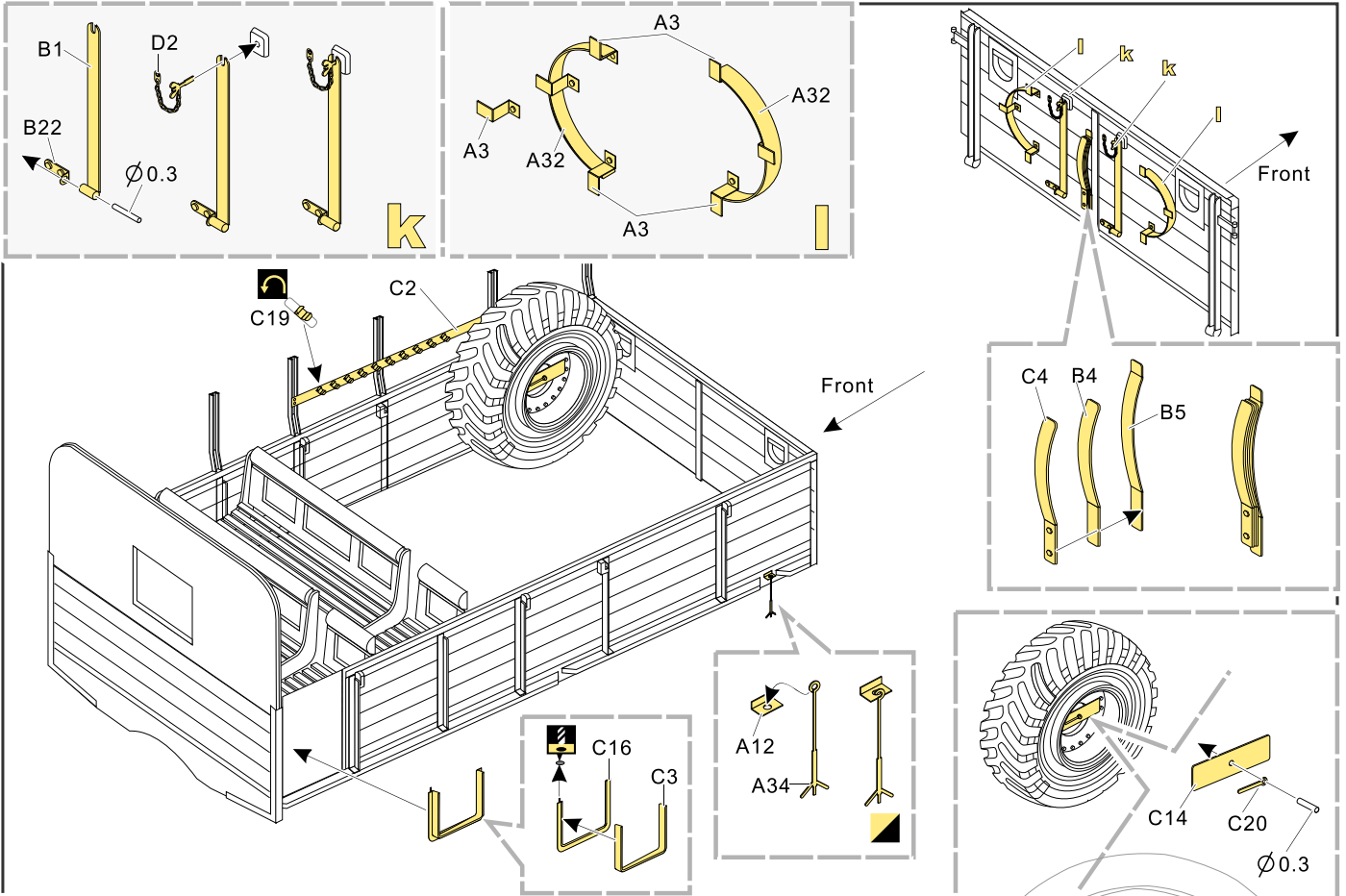
1/35 MILITARY MINIATURE VEHICLE UPGRADE SERIES PE35734



1/35 MILITARY MINIATURE VEHICLE UPGRADE SERIES PE35734



1/35 MILITARY MINIATURE VEHICLE UPGRADE SERIES PE35734



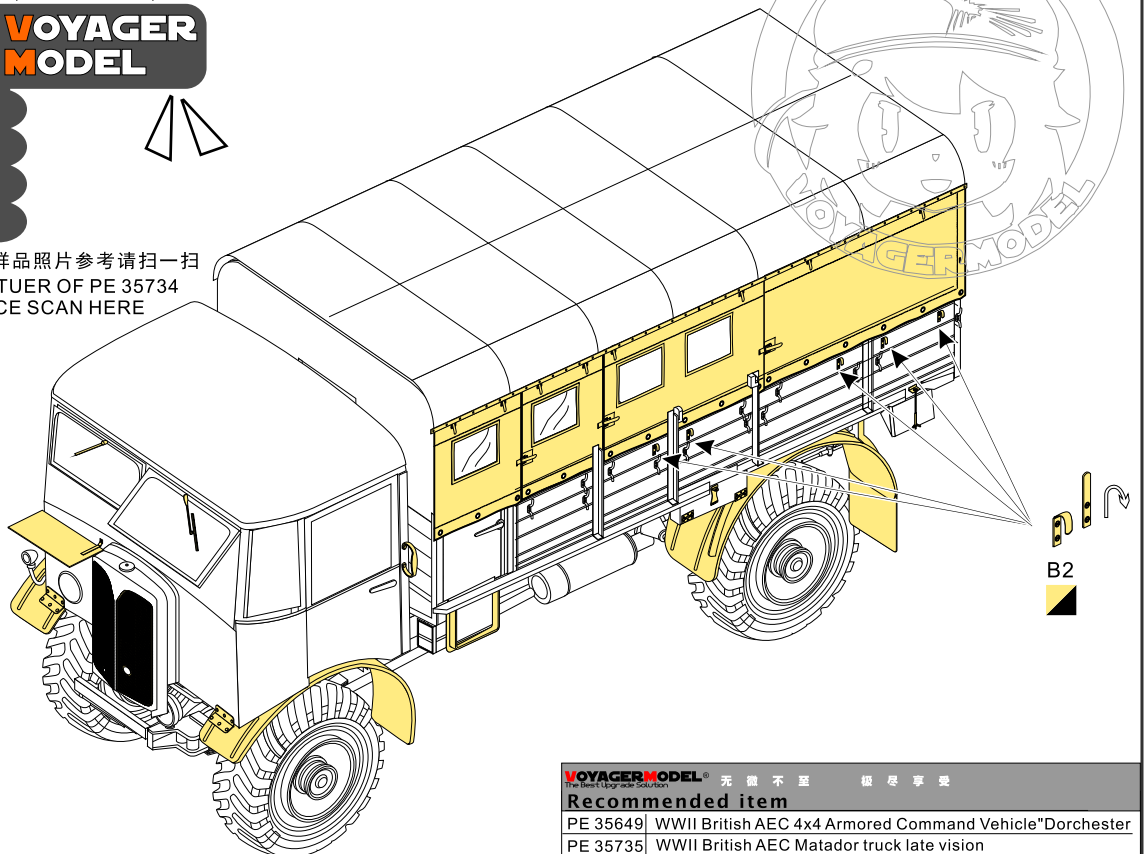
<http://www.voyagermodel.com/productdetails.asp?itemid=PE35734>



**VOYAGER
MODEL**



更多PE35734样品照片参考请扫一扫
MORE PICTUER OF PE 35734
REFERENCE SCAN HERE



VOYAGERMODEL[®] 无微不至 极尽享受
Recommended item
PE 35649 WWII British AEC 4x4 Armored Command Vehicle "Dorchester"
PE 35735 WWII British AEC Matador truck late vision