

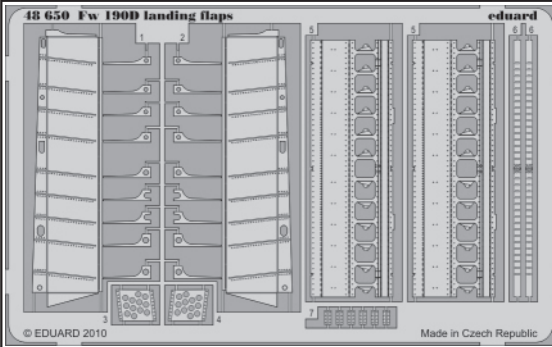


# Fw 190D landing flaps

eduard

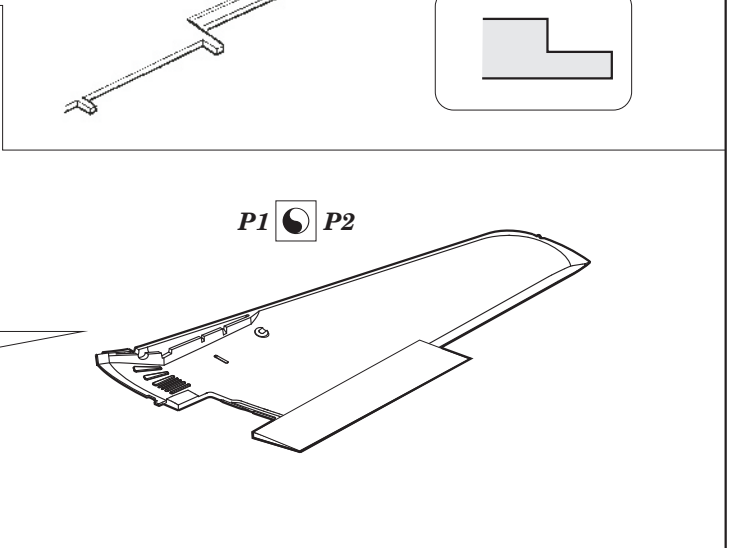
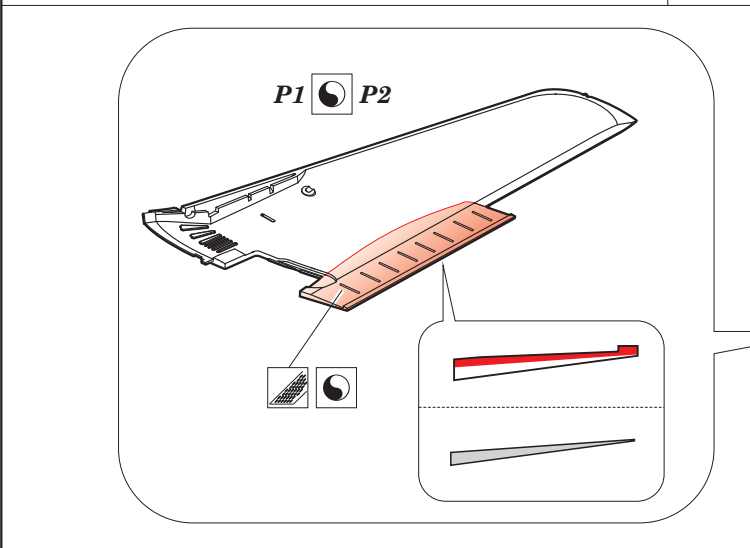
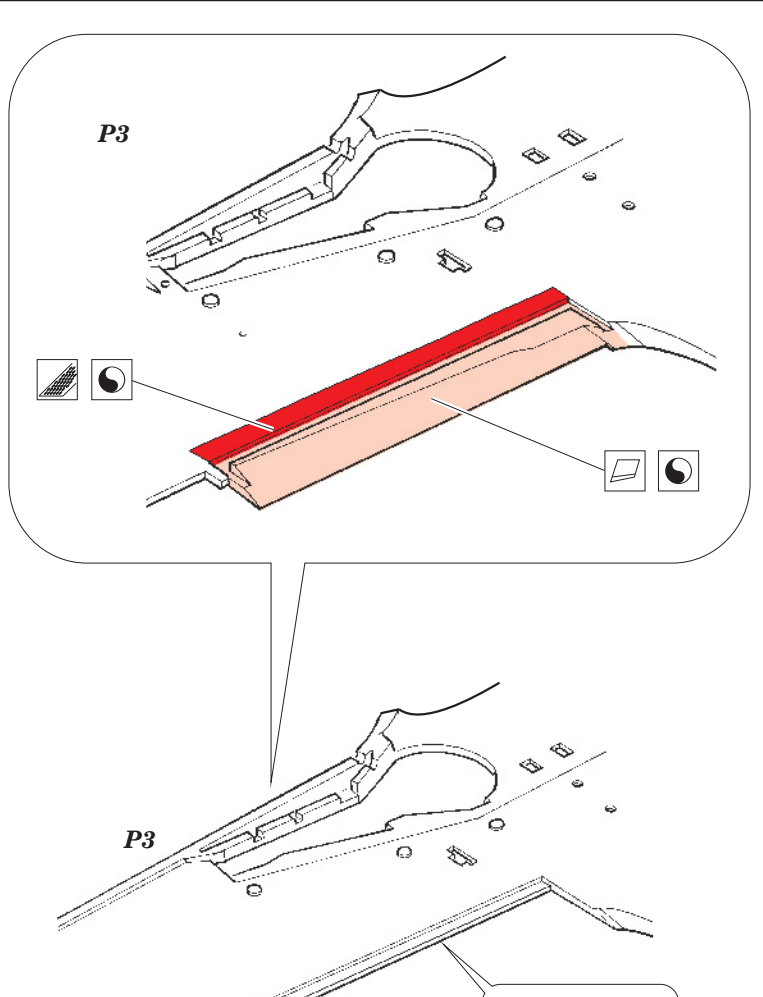
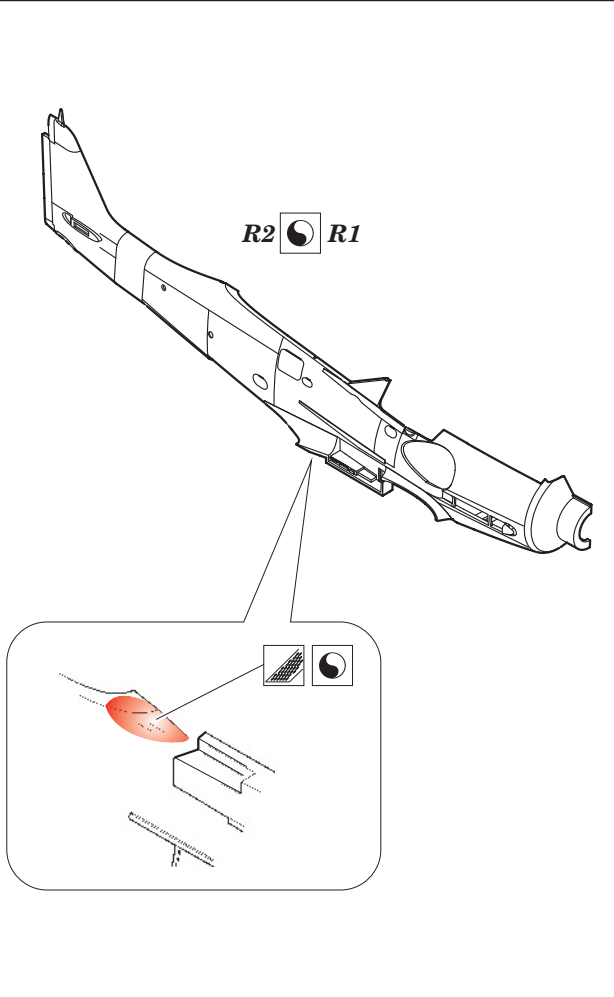
48 650

1/48 scale detail set for EDUARD kit • sada detailů pro model 1/48 EDUARD



- ★ APPLY EXPRESS MASK AND PAINT BEFORE GLUING  
POUŽIT EXPRESS MASK NABARVIT PŘED SLEPENÍM
- ☯ SYMMETRICAL ASSEMBLY  
SYMETRICKÁ MONTÁŽ
- REMOVE  
ODSTRANIT
- ▨ GRIND  
OBROUSIT
- ⊘ DRILL HOLE  
VRTAT OTVOR
- ↪ BEND  
OHNOUT
- ? OPTION  
VOLBA
- Ⓜ REPLACE  
NAHRADIT

■ ORIGINAL KIT PARTS  
PŮVODNÍ DÍLY STAVEBNICE
 ■ PHOTO-ETCHED PARTS  
LEPTANÉ DÍLY
 ■ PARTS TO BE REMOVED  
DÍLY K ODSTRANĚNÍ
 ■ FILL  
TMELIT



**HOW TO MAKE THE RELIEF ON OPPOSITE - REVERSE - OF THE PLATE**

wood

wood

This section contains two pairs of diagrams. Each pair shows a top-down view of a plate with a relief pattern and a side view of the plate being worked on with a wooden tool. The top-down views are labeled with '3' and '4' in a square icon. The side views show the tool being used to create a relief on the reverse side of the plate.

**1 st**

This section shows a 3D perspective view of a blue plate with a relief pattern. A small square icon with '1' and '2' is shown next to it. Below this, a smaller icon with '1' and '2' is shown next to a small square piece of the plate. A callout line connects this small piece to the main plate, indicating its position.

**2 nd**

W26 W25

P1 P2

This section shows a 3D perspective view of the plate with a red strip being attached to its side. A callout line connects the red strip to a smaller diagram of the strip, which is labeled with '2 nd'. The main diagram is labeled with 'W26 W25' and 'P1 P2'. A small square icon with '1' and '2' is also present.

This section contains two 3D perspective views of the plate. The left view shows the plate with a blue strip being attached to its side. The right view shows the plate with a blue strip being attached to its top edge. Both views are labeled with '5' in a square icon.

**6**

**7**

**2 pcs**

**P3**

This section shows a 3D perspective view of the plate with a blue strip being attached to its side. A callout line connects the strip to a smaller diagram of the strip, which is labeled with '6'. The main diagram is labeled with 'P3'. A small square icon with '5' and '6' is also present. Below this, a smaller icon with '7' and '2 pcs' is shown next to a small square piece of the plate. A callout line connects this small piece to the main plate, indicating its position.