

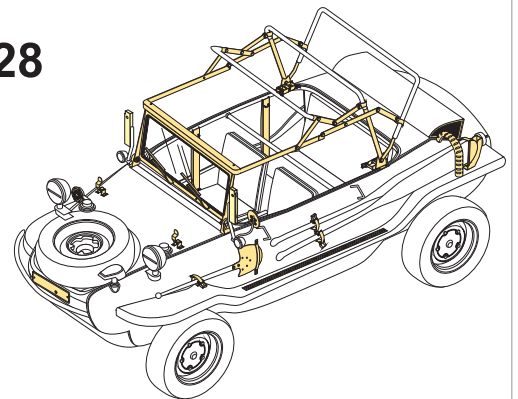
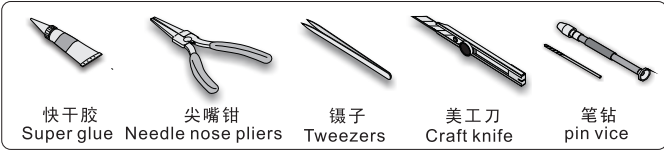
1/35 MILITARY MINIATURE VEHICLE UPGRADE SERIES PE35608


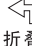







# WWII German Schwimmwagen Type 128

## 二战德军水陆2用吉普车128型改造件

[For AFV 35128]

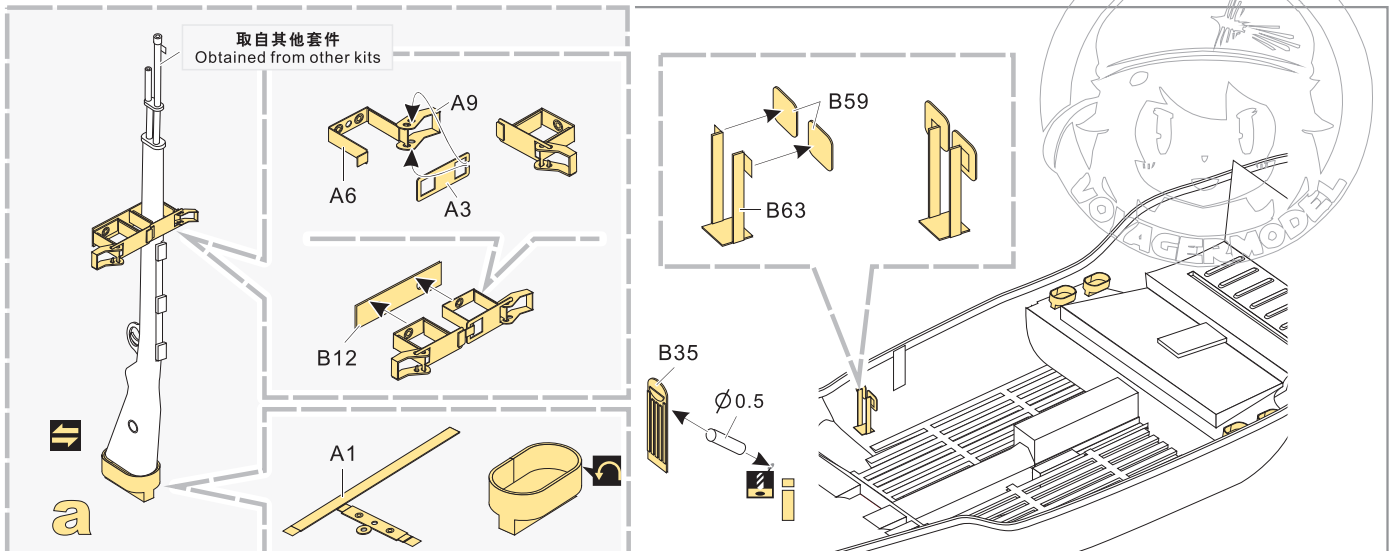
### 推荐使用工具 RECOMMENDED TOOLS



-   
**安装**  
install
-   
**折叠**  
bend
- A1**  
改造件零件编号  
PE/resin part number
- B12**  
原零件编号  
kit part number
- C22**  
被替换的原零件编号  
replaced kit part number
-   
 另一侧相同制作  
repeat on opposite side
-   
**切除**  
remove
-   
**打磨**  
grind off
-   
**弧度卷曲**  
radial bending
- x2**  
制作若干组  
multiple assembly
-   
**选择安装**  
alternative
-   
**用铜管制作**  
make from brass tube
-   
**用胶棒制作**  
make from plastic rod

  
 用尖端在凹槽处冲压  
use penpoint to press on the dent

蚀刻片零件内朝面向上  
Put the part upside down  
 用笔尖在凹槽处刺  
Use penpoint to press on the dent

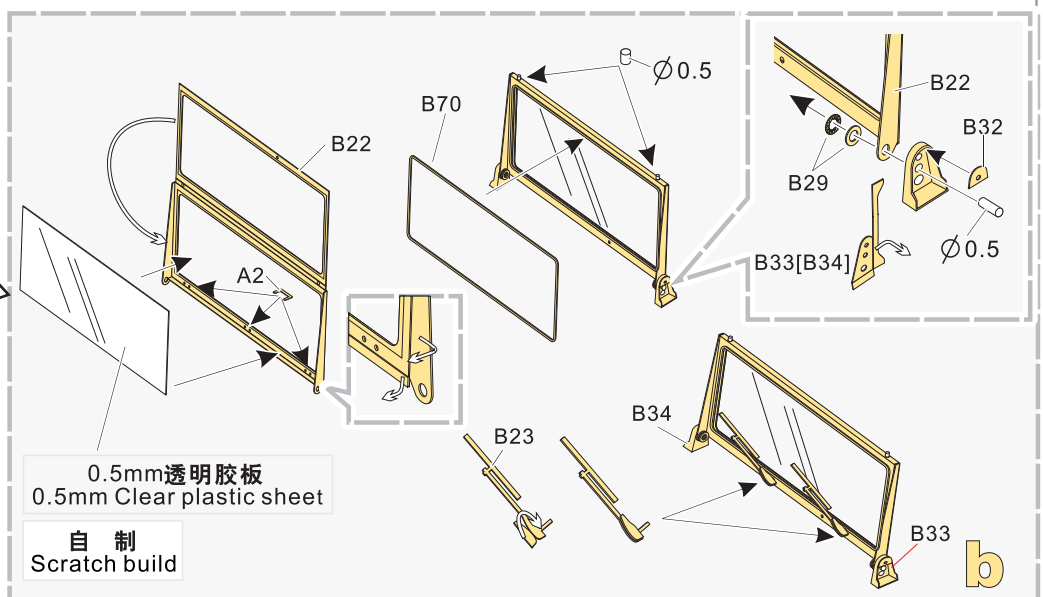
[Http://www.voyagermodel.com/productdetails.asp?itemid=PE35608](http://www.voyagermodel.com/productdetails.asp?itemid=PE35608)



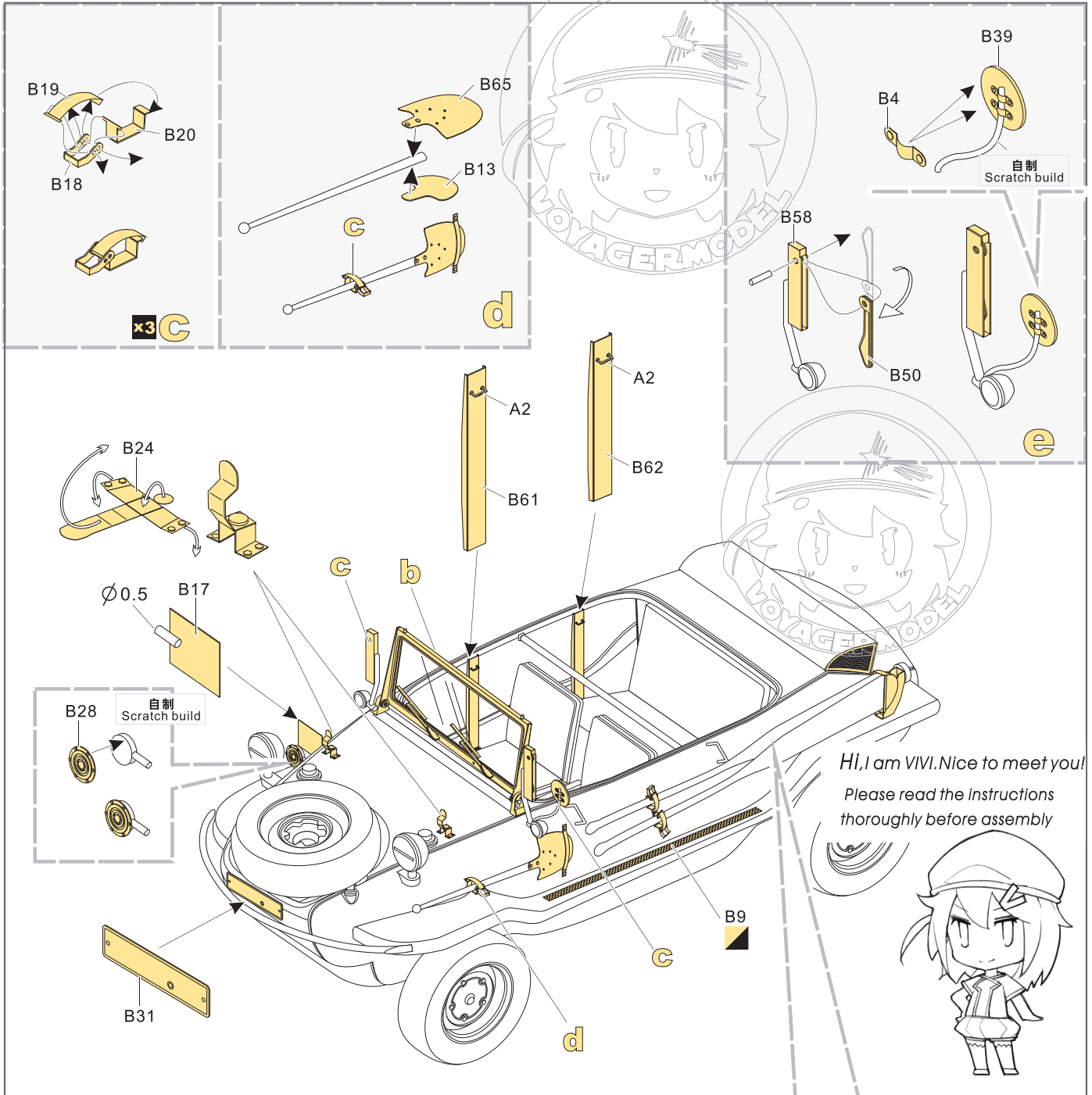
**VOYAGER  
MODEL**



更多PE35608样品照片参考请扫一扫  
MORE PICTURE OF PE 35608  
REFERENCE SCAN HERE

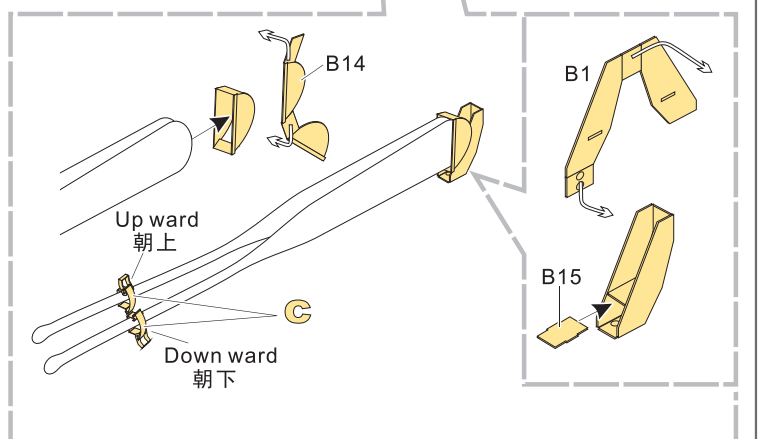


1/35 MILITARY MINIATURE VEHICLE UPGRADE SERIES PE35608



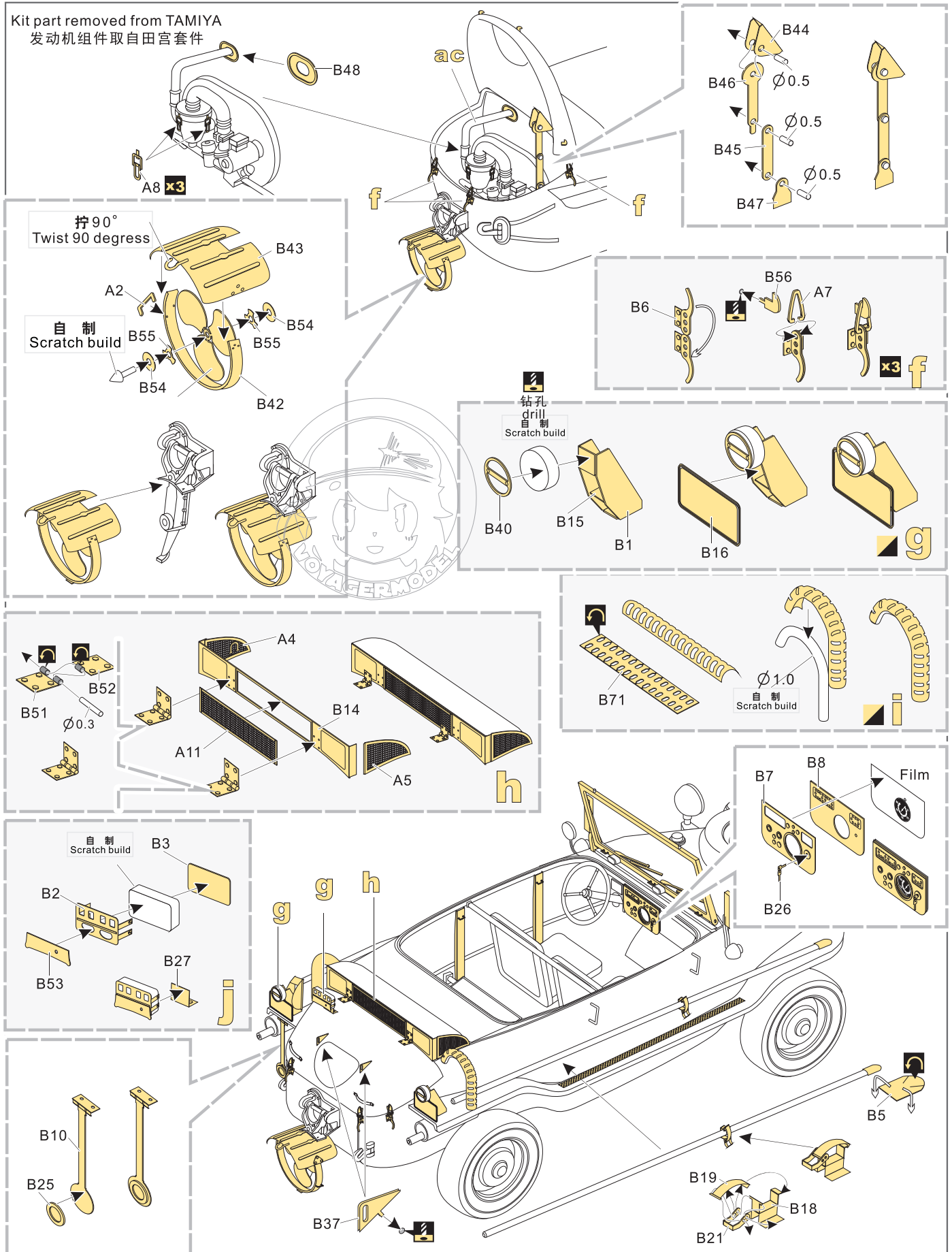
**VOYAGERMODEL®** 无微不至 悦享享受  
The Best Upgrade Solution

Recommended item	
PE 35033	WWII German ZUNDAPP MOTO
PE 35114	WWII German DKW NZ350 MOTORCYCLE
PE 35194	WWII U.S. Jeep Willys MB
PE 35195	WWII U.S. Jeep Willys MB w/Add Amour
PE 35240	WWII Citroen Traction 11CV Staff Car
PE 35246	WWII German Opel Blitz 3t. 4x2 Cargo Truck /Shallow Cargo Bay
PE 35249	WWII German Kubelwagen Type 82
PE 35256	WWII German Bicycle
PE 35283	WWII German Land-Wasser-Schlepper Amphibious Tractor Mid Production
PE 35299	WWII German Sd.Kfz.7/1 Part 1
PE 35335	WWII German Sd.Kfz.7 8t Late Production
PE 35362	WWII German Sd.Kfz.7 8t Half Track Early Version
PE 35389	WWII German Steyr 1500A Kommandeurwagen
PE 35390	WWII German Steyr 1500A/01
PE 35520	WWII German Schwimmwagen Type 166
PE 35559	WWII French Simca 5 Staff Car ( German Army)



1/35 MILITARY MINIATURE VEHICLE UPGRADE SERIES PE35608

Kit part removed from TAMIYA  
发动机组件取自田宫套件



拧 90°  
Twist 90 degrees

自制  
Scratch build

钻孔  
drill  
自制  
Scratch build

$\phi 0.3$

$\phi 1.0$   
自制  
Scratch build

自制  
Scratch build

Film

1/35 MILITARY MINIATURE VEHICLE UPGRADE SERIES PE35608

