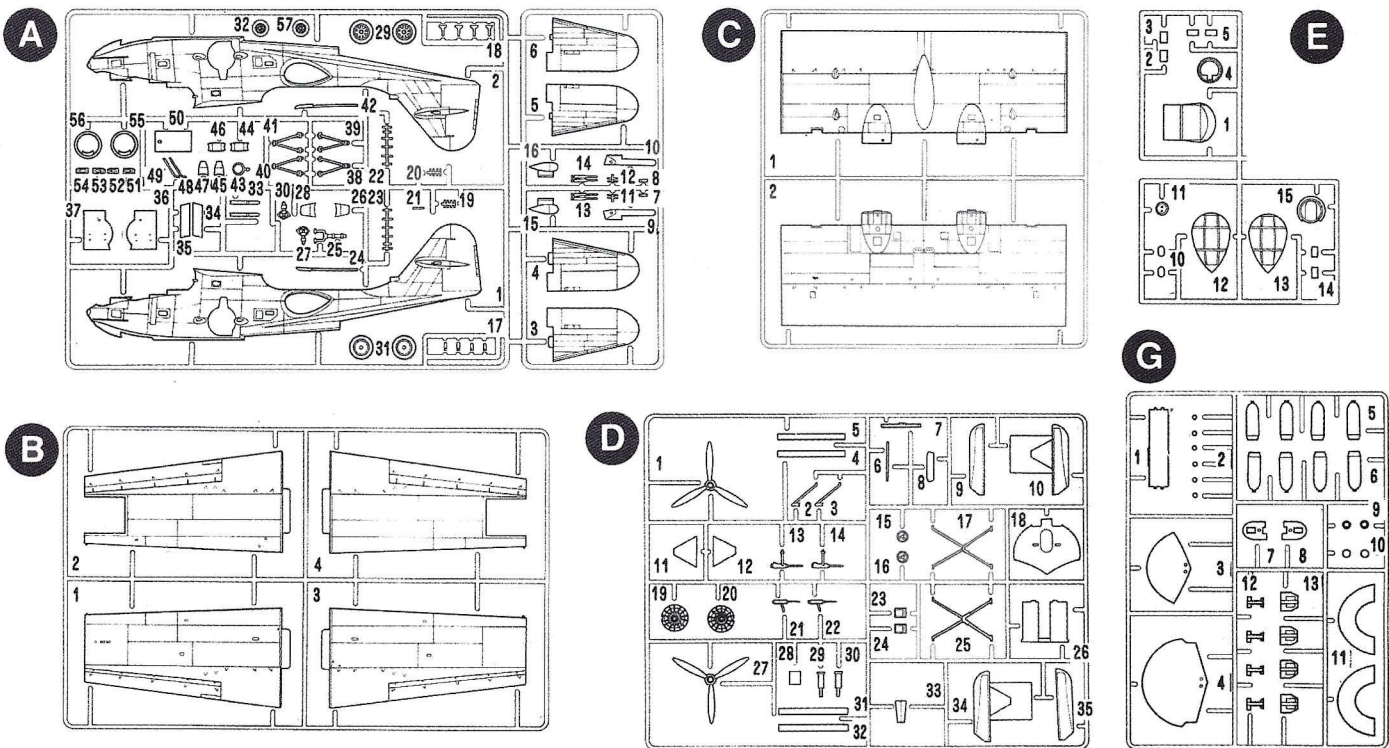
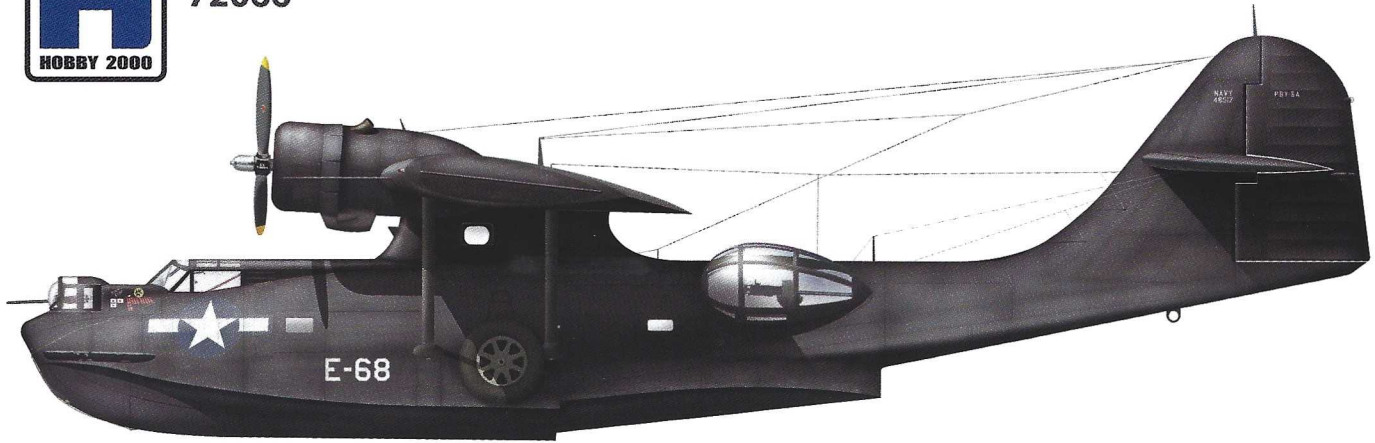




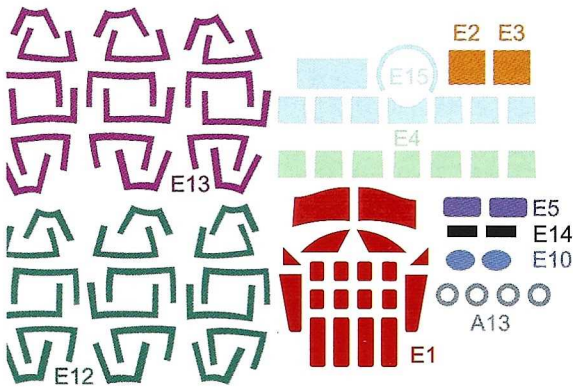
Consolidated PBY-5A Catalina PTO

72066



- OPTION
FACULTATIF
NACH BELIEBEN
HACER AQUJERO
DO WYBORU
FACOLTATIVO
VOLBA
- FILL HOLE
FORO PIENO
SCHLIESSEN
EMPUJE EL AQUJERO
ZAMKNAĆ OTWÓR
BOUCHER LE TROU
ZAKRYJTE OTVOR
- DO NOT CEMENT
NE PAS COLLER
NICHT KLEBEN
NO PEGAR
NIE SKLEJAĆ
NON INCOLLARE
NELEPIT

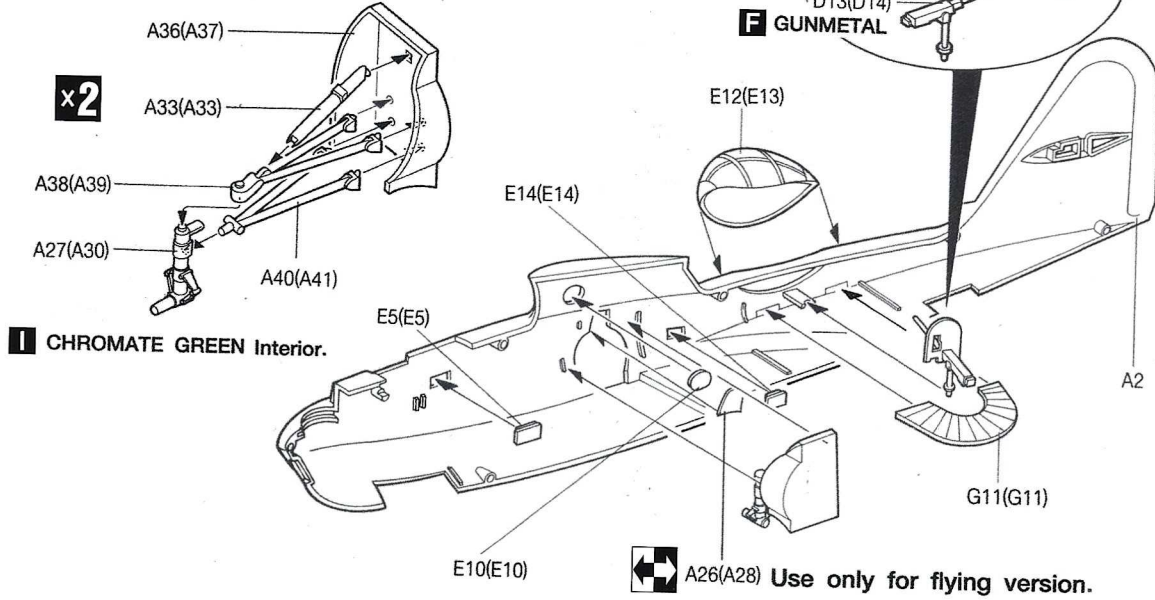
Painting Mask Set



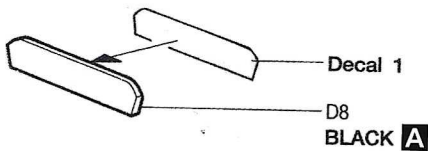
Color Chart	AK Interactive	AMMO	HATAKA	Mr. COLOR	Revell	TAMIYA
Flat Black	A RC001	046	100	033	108	XF-1
Silver	B RC020	195	003	008	190	X-11
Tyre Black	C RC022	033	040	137	106	XF-85
Burnt Metal	D AK485	187	016	061		XF-84
Flat White	E RC004	050	101	062	05	XF-2
Gun Metal	F RC015	045		028		X-10
Clear Red	G RC503	093		047	731	X-27
Clear Blue	H RC504	098		050	752	X-23
Interior Green	I RC028	220	211	027		XF-4
Sea Blue	J RC257	227	006	365	79	XF-50
Intermediate Blue	K RC235	228	027	366		XF-66
Dark Gull Gray	L RC247	205	044	317	044	044
Blue Gray	M RC256		218	367	179	
Light Gray	N RC255	241	048	325	143	
Olive Drab	O RC259	926	018	304	61	XF-62
Aluminium	P RC020	194	078	MC-218	99	XF-16
Steel	Q AK476	191		028	191	XF-56
Yellow	R RC007	048	066	329	115	XF-3
Engine Gray	S RC243	239	033	338	378	XF-24

1 INTERIOR ASSEMBLY

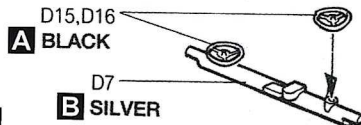
MAIN LANDING GEAR



INSTRUMENT PANEL



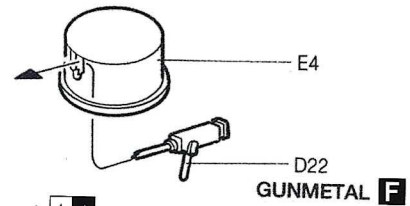
CONTROL HANDLES



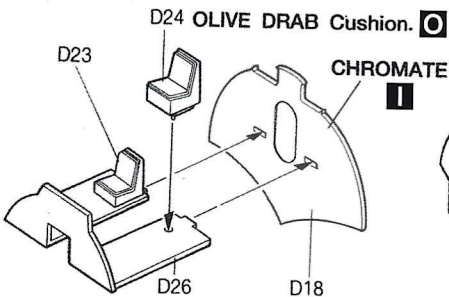
BOW TURRET

Early Version

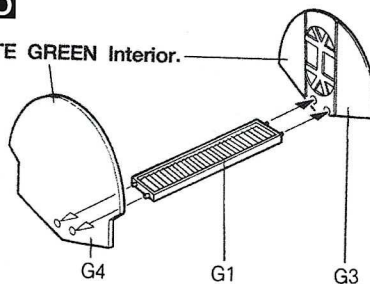
2



COCKPIT

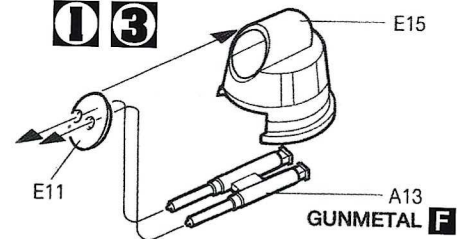


GUNNER'S POSITION

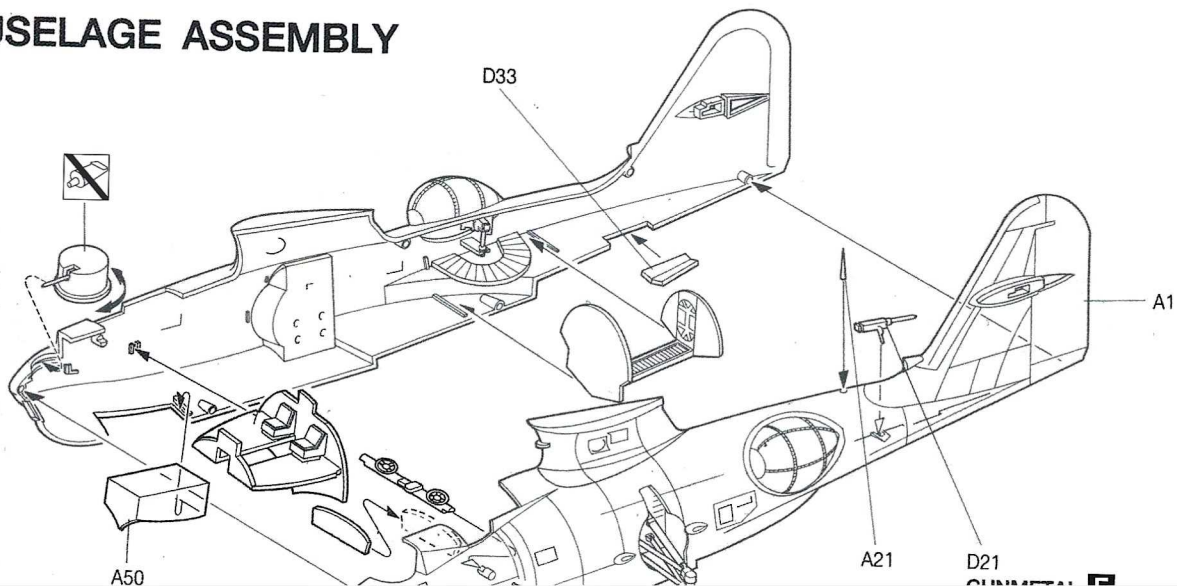


Late Version

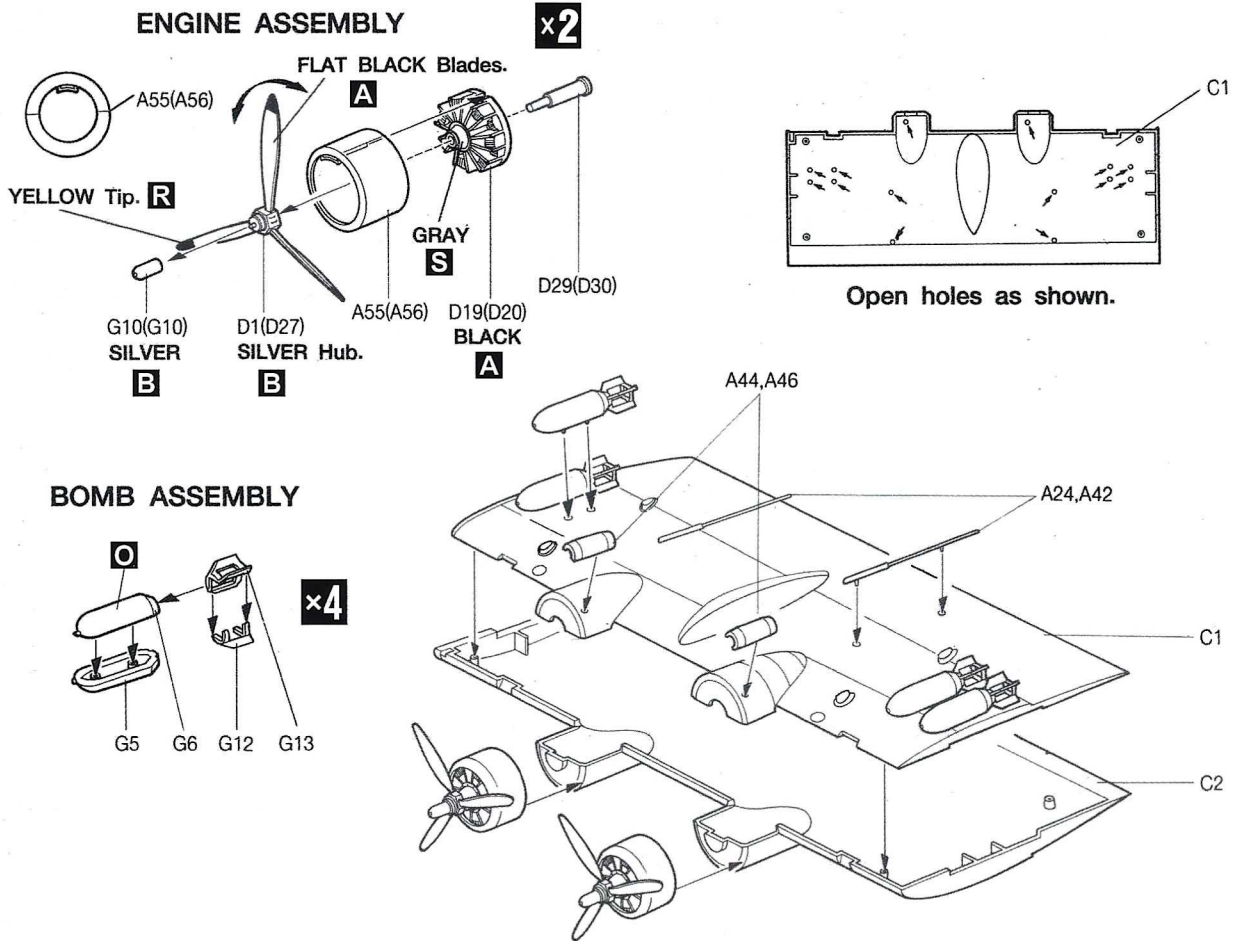
1 3



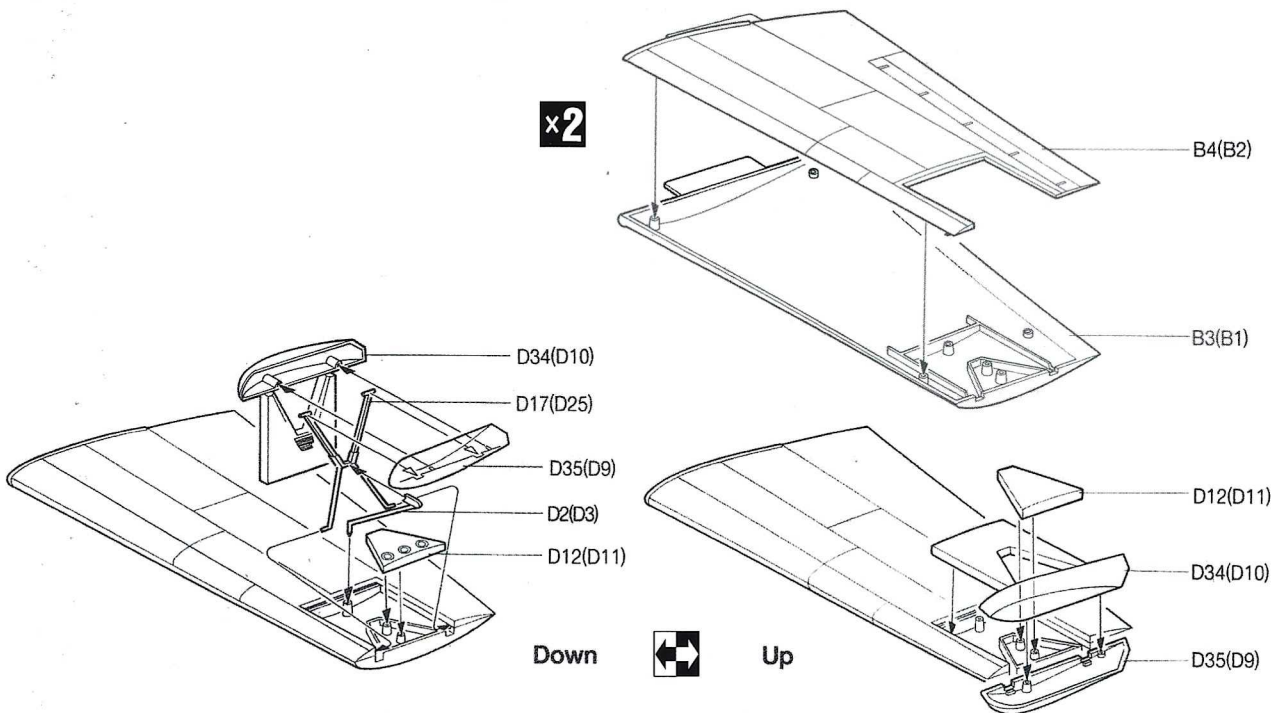
2 FUSELAGE ASSEMBLY



3 WING ASSEMBLY (Center)



4 WING ASSEMBLY (Right & Left)



5 WING INSTALLATION

EXHAUST ASSEMBLY

Early Version



A18
METALLIC **D**
A52,A54(A51,A53)

1 2

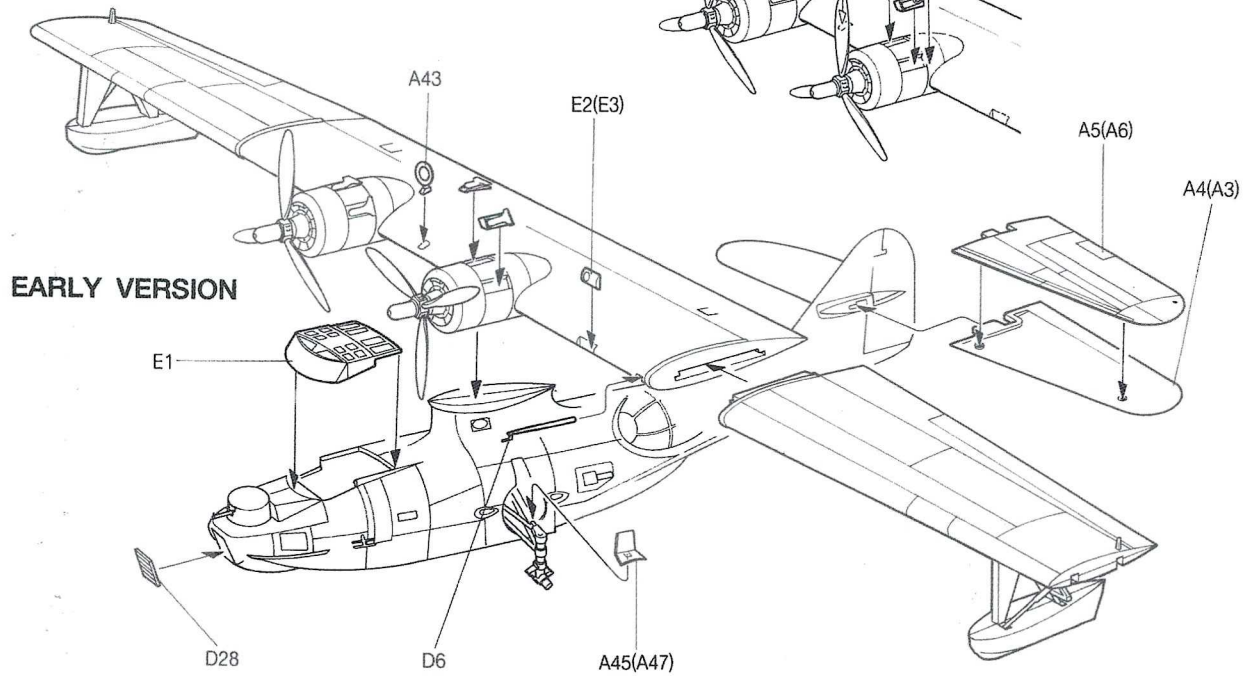
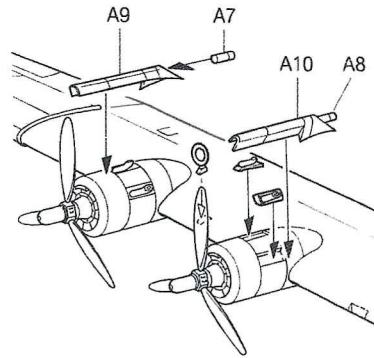
Late Version

×4

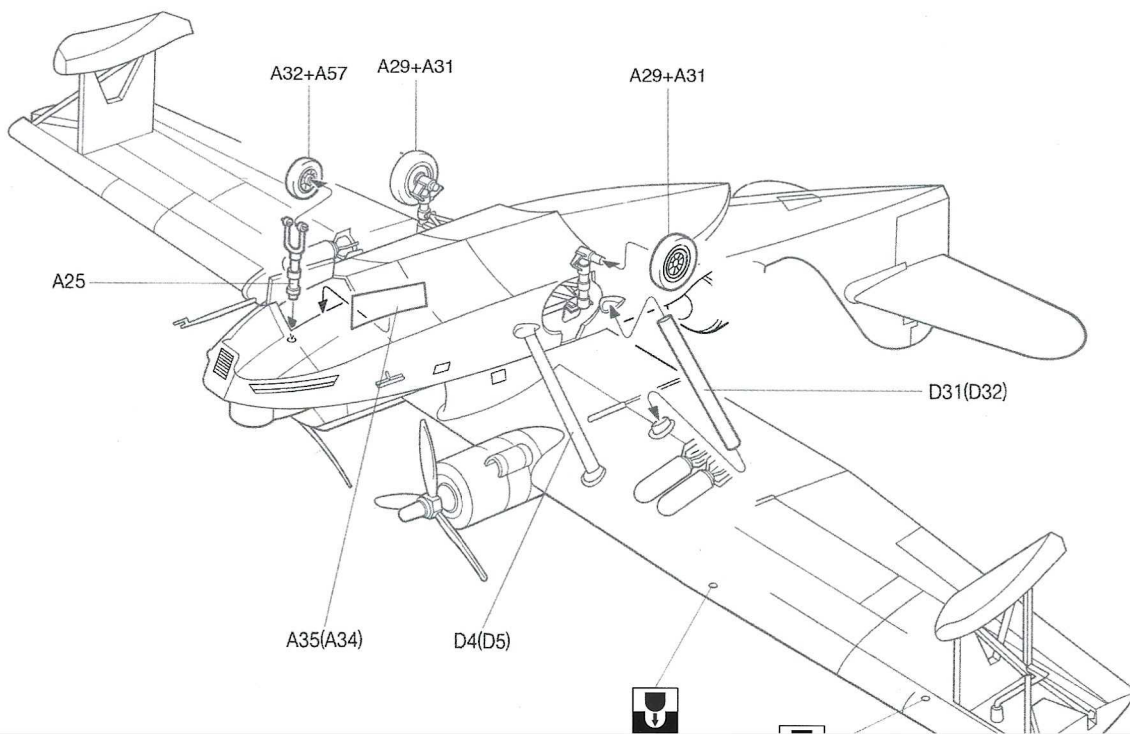
A17
A52,A54(A51,A53)

3

LATE VERSION

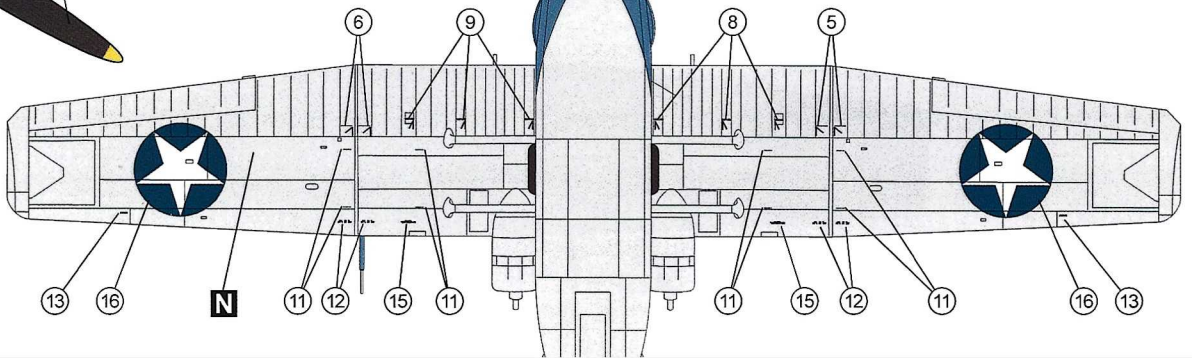
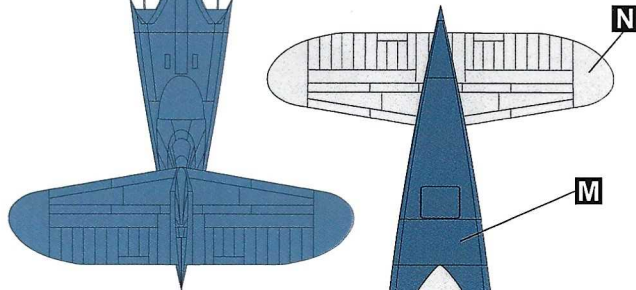
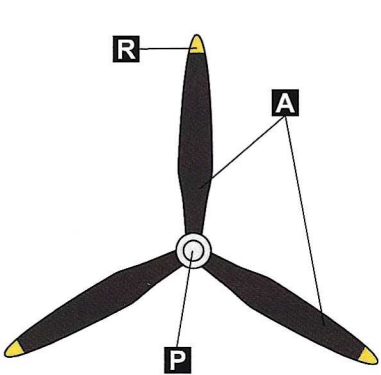
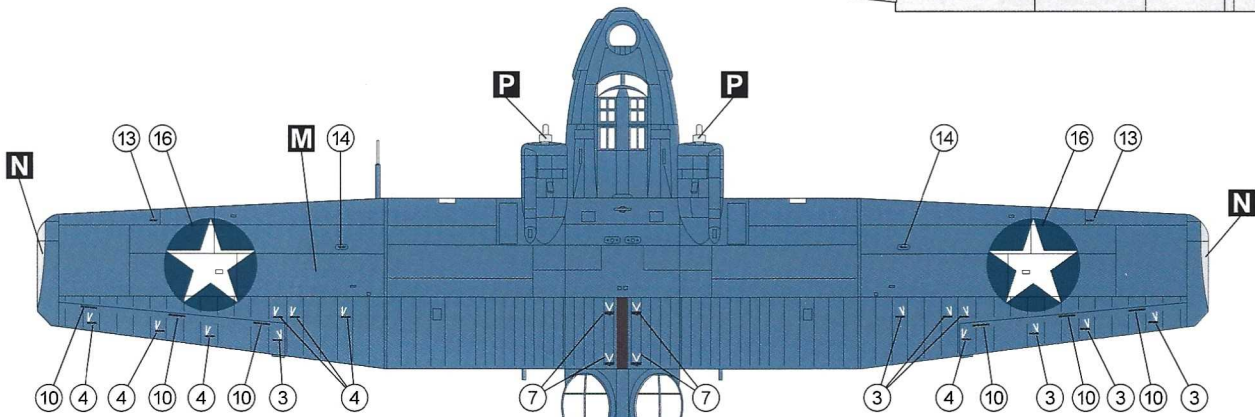
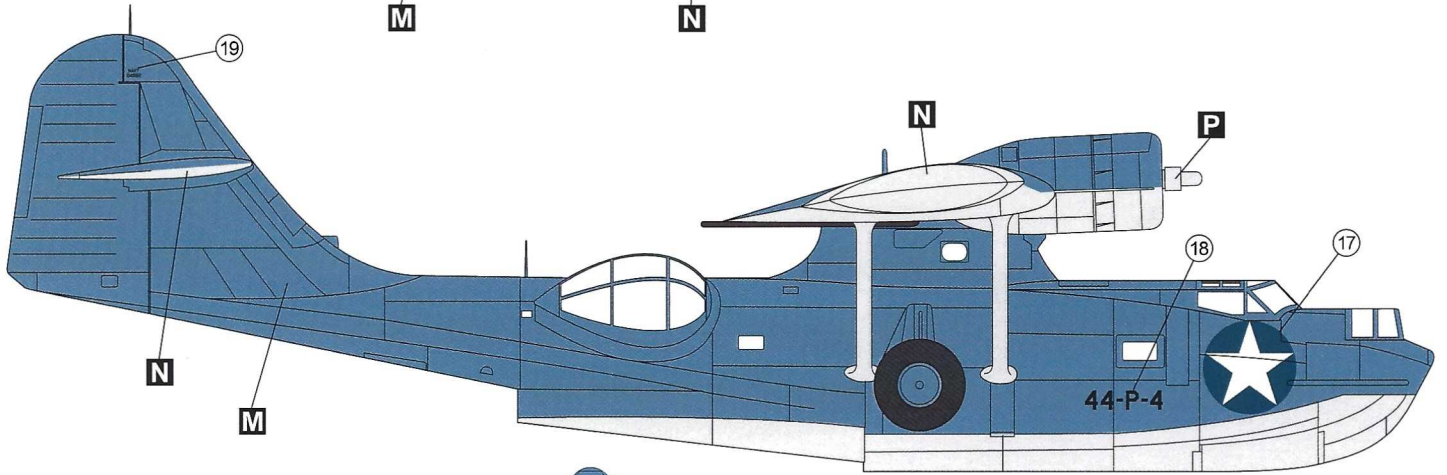
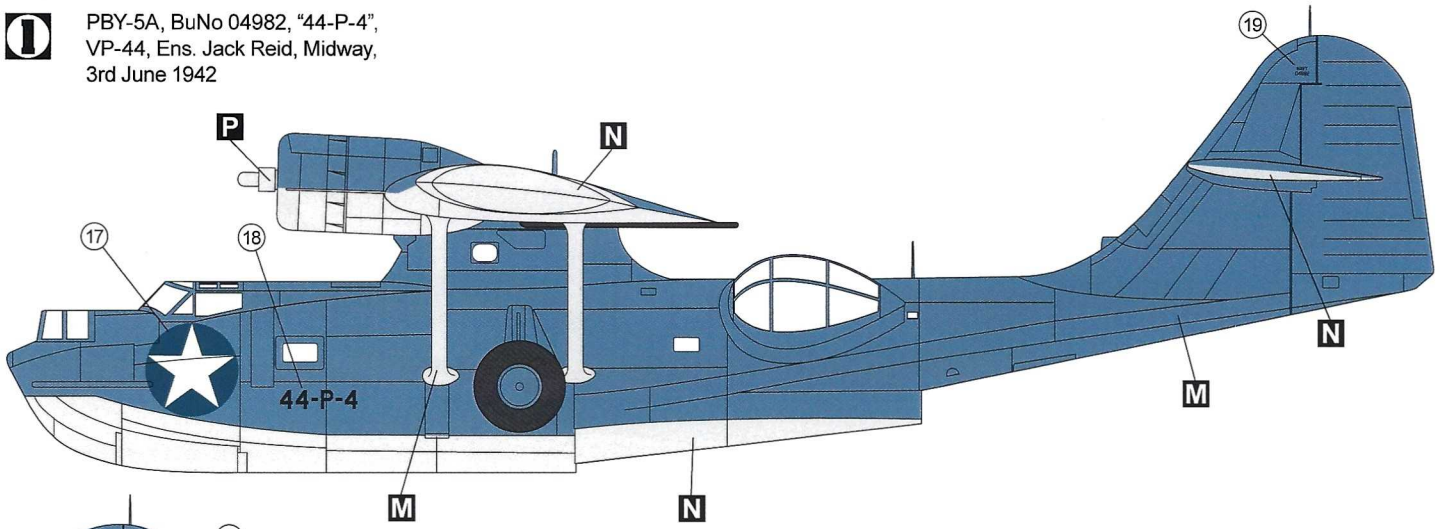


6 FINAL ASSEMBLY



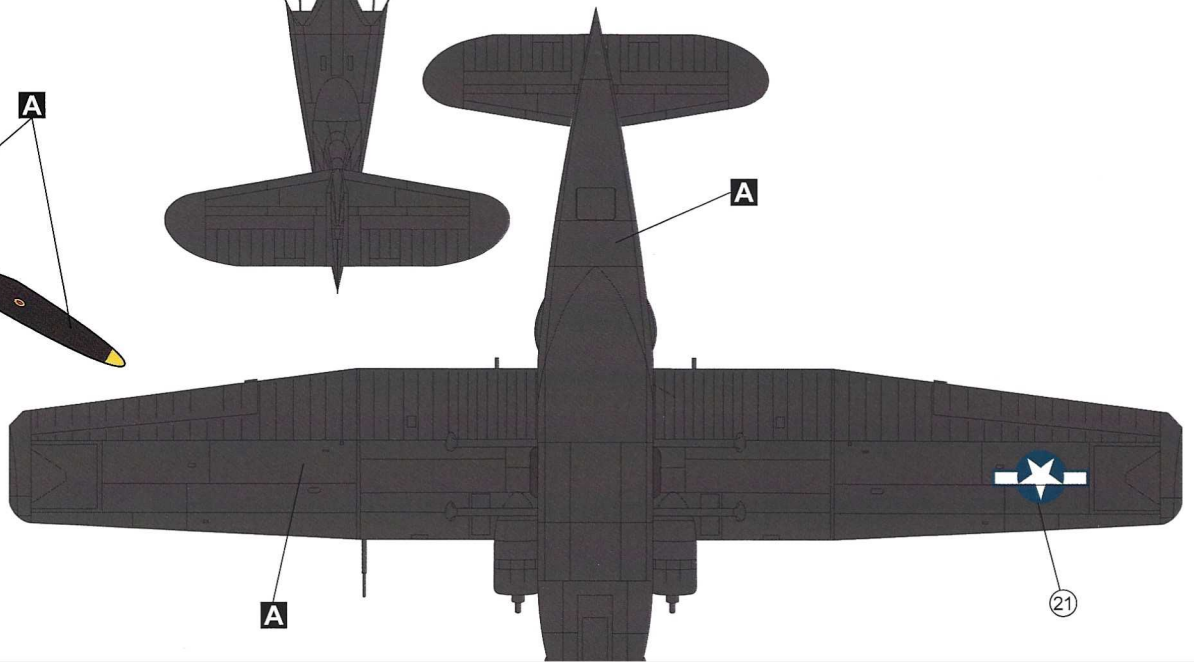
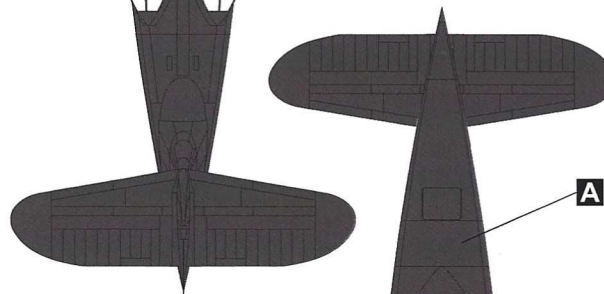
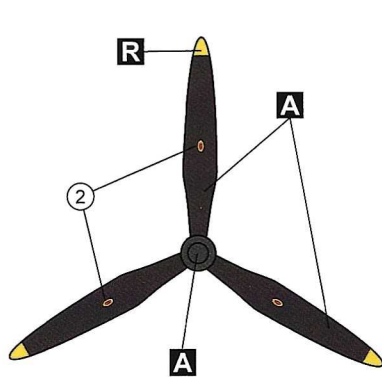
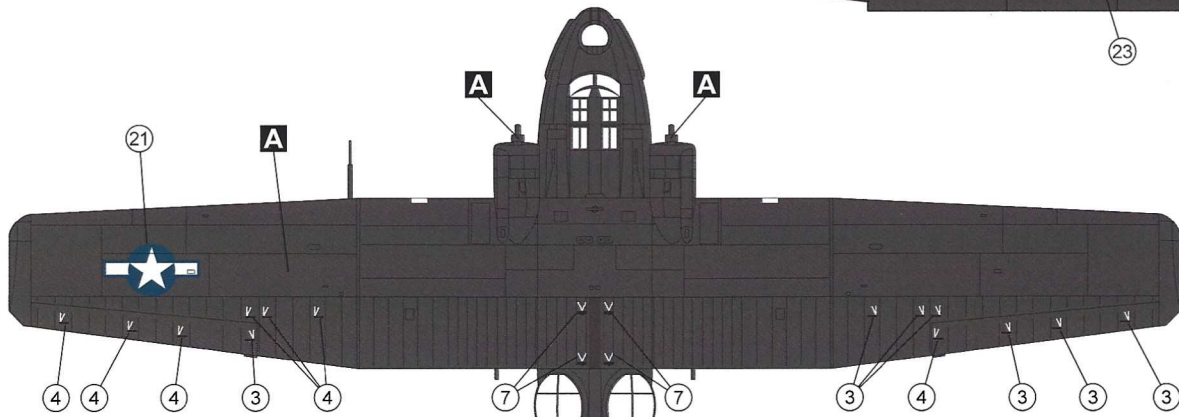
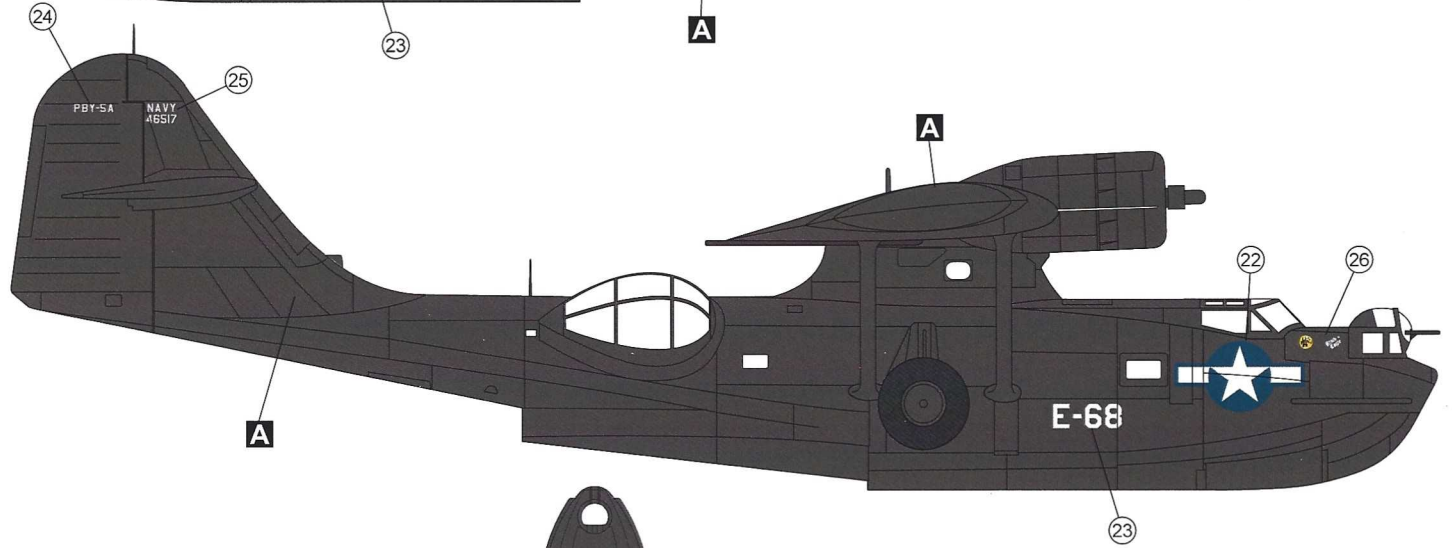
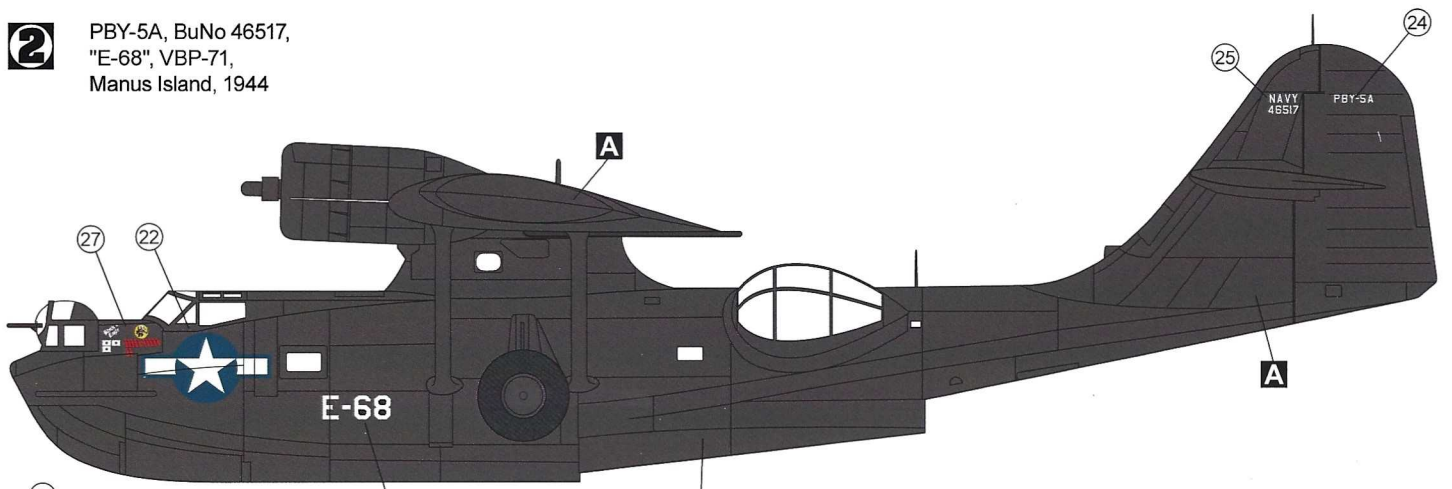


PBY-5A, BuNo 04982, "44-P-4",
 VP-44, Ens. Jack Reid, Midway,
 3rd June 1942

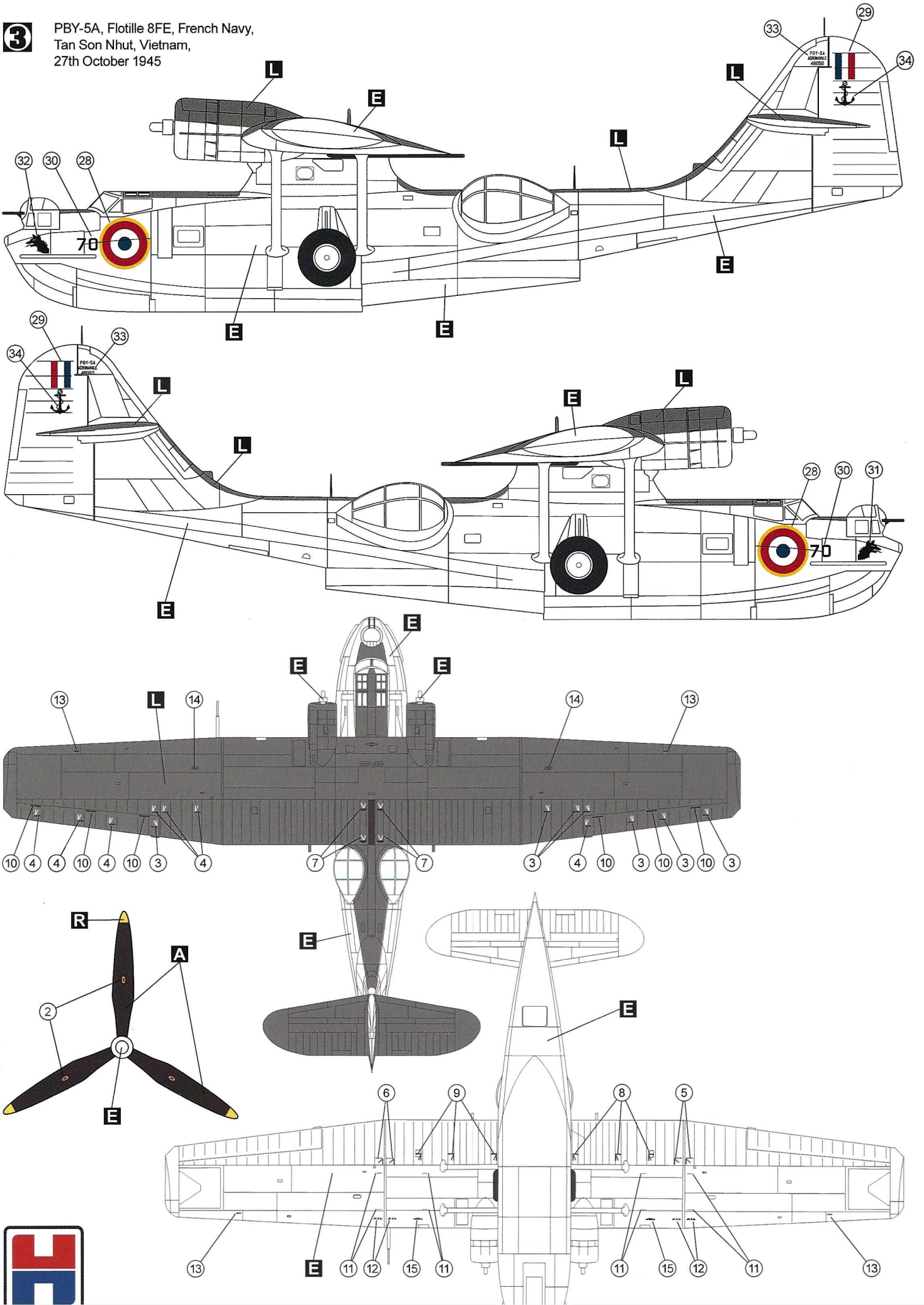


2

















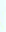

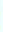
PBY-5A, BuNo 46517,
"E-68", VBP-71,
Manus Island, 1944



3 PBY-5A, Flotille 8FE, French Navy,
 Tan Son Nhut, Vietnam,
 27th October 1945



70 70

26  27  28  29  30  31  32  33  34  35  36  37  38  39  40  41  42  43  44  45 46 47 48 49 50 51 52 53 54 55 56 57 58 59 60 61 62 63 64 65 66 67 68 69 70 71 72 73 74 75 76 77 78 79 80 81 82 83 84 85 86 87 88 89 90 91 92 93 94 95 96 97 98 99 100

44-P-4
44-P-4

NAVY
04880

NAVY
04880

PBY-5A PBY-5A

72066 1/72 PBY-5A Catalina PTO
Printed by Cartograf ©2022 Hobby2000

72066 1/72 PBY-5A Catalina PTO
Printed by Cartograf ©2022 Hobby2000

