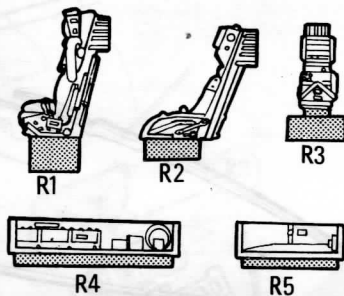
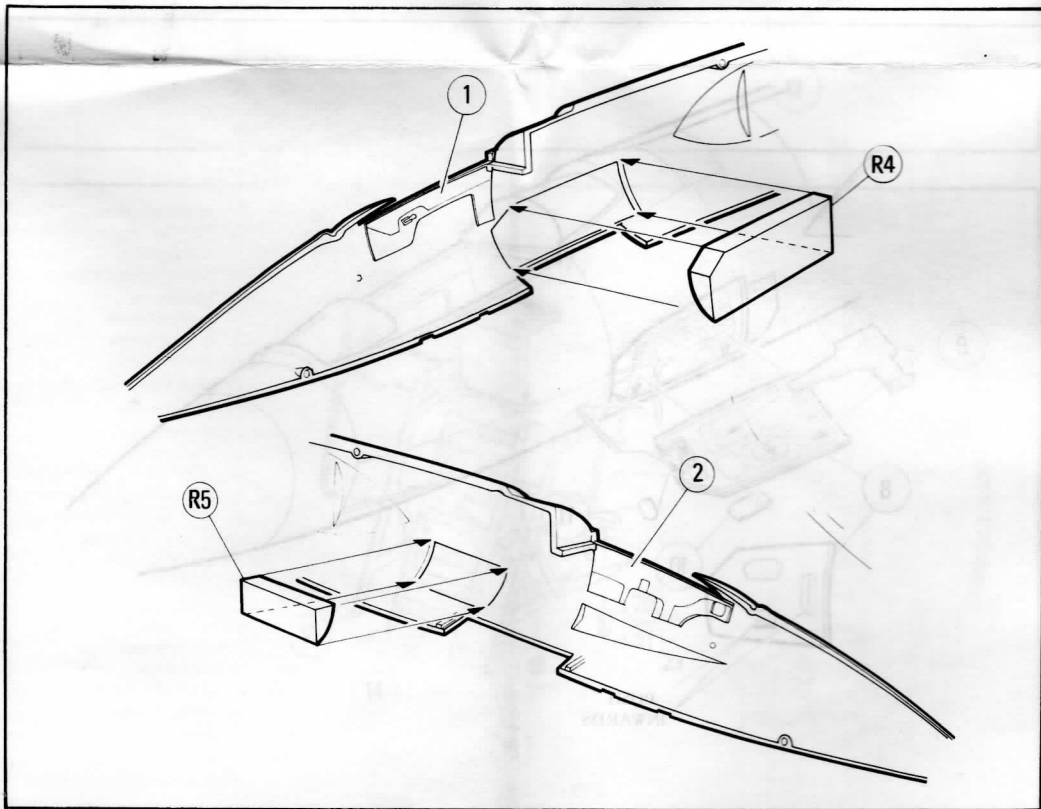


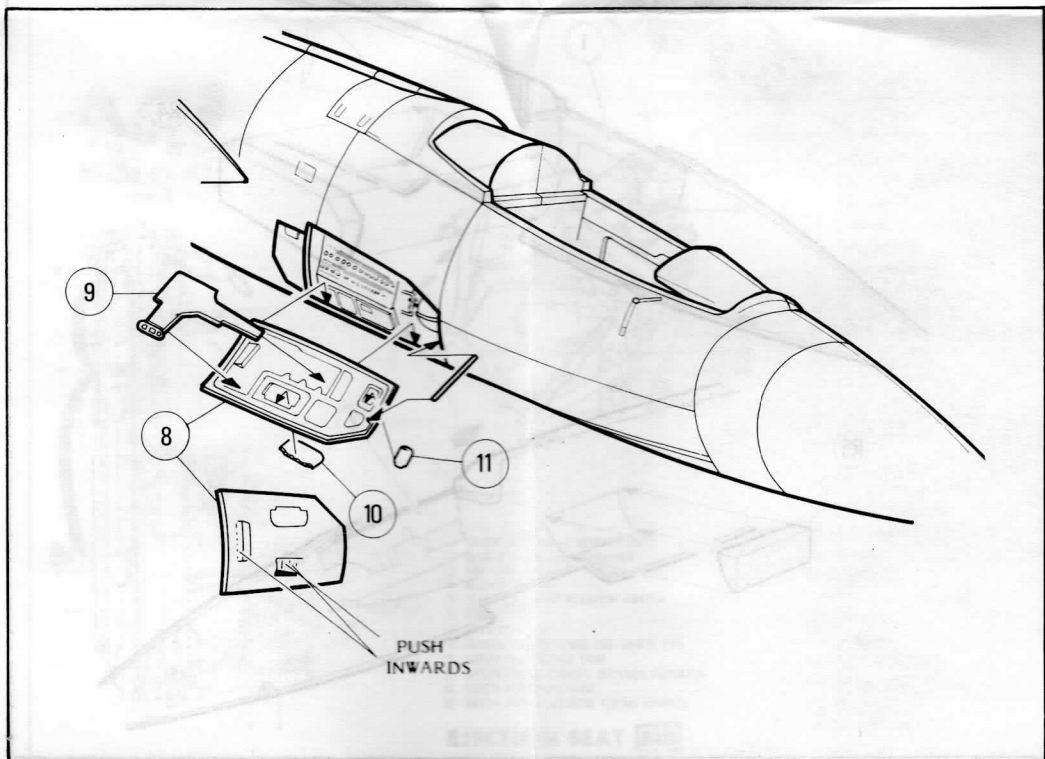
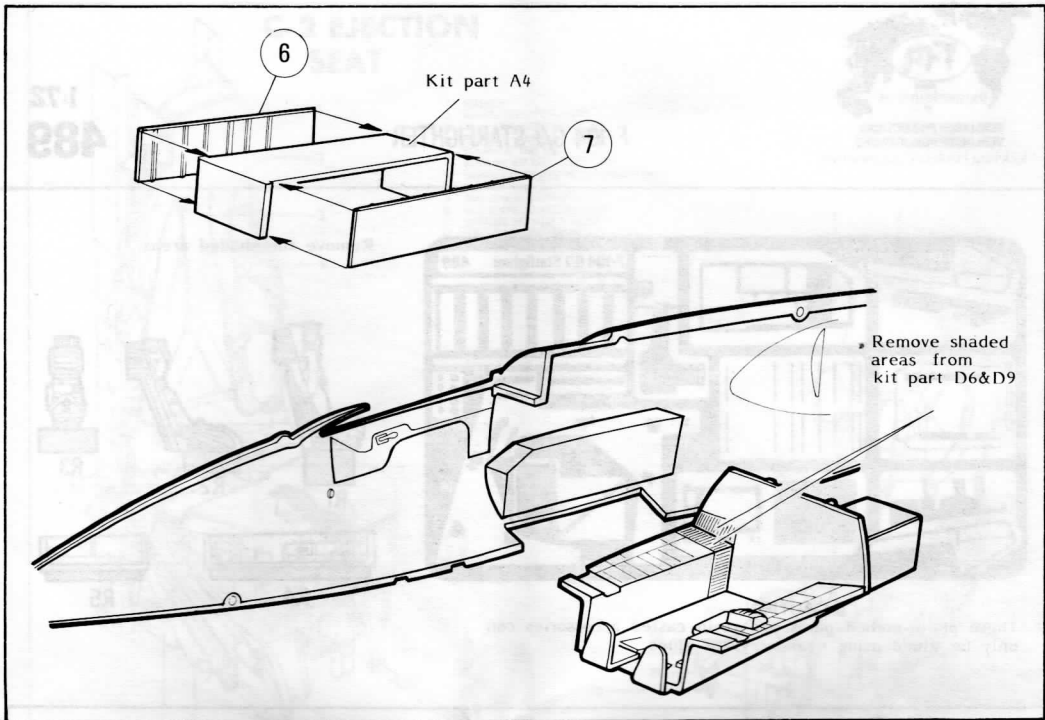
Remove the shaded areas



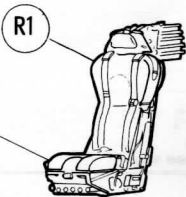
CAUTION

These photo-etched parts and resin casted accessories can only be glued using cyanoacrylate glues.

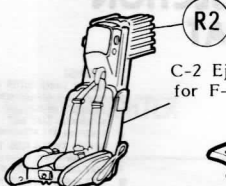




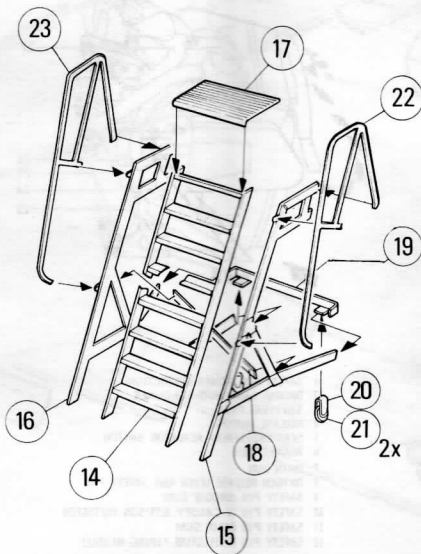
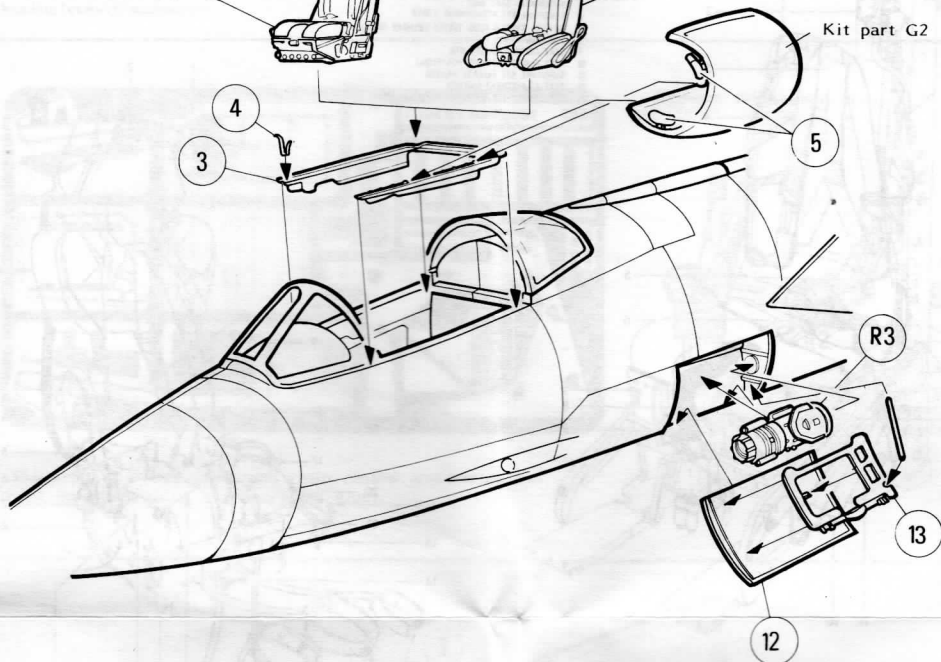
Martin Baker
Ejection seat
GERMAN &
ITALIAN
F-104's only



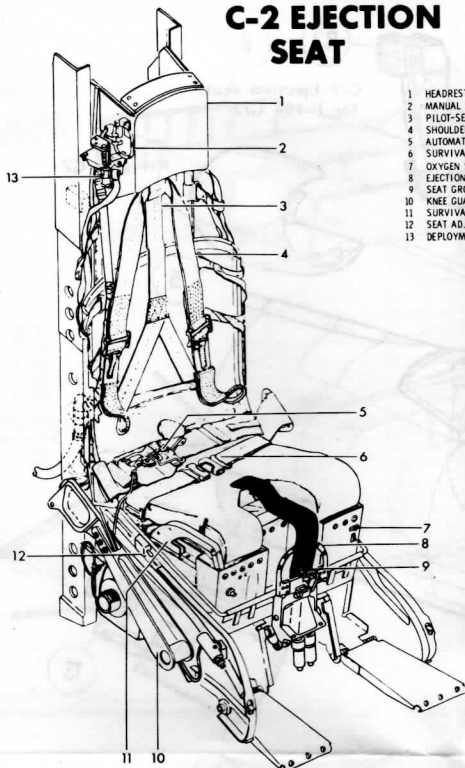
C-2 Ejection seat
for F-104 G/J



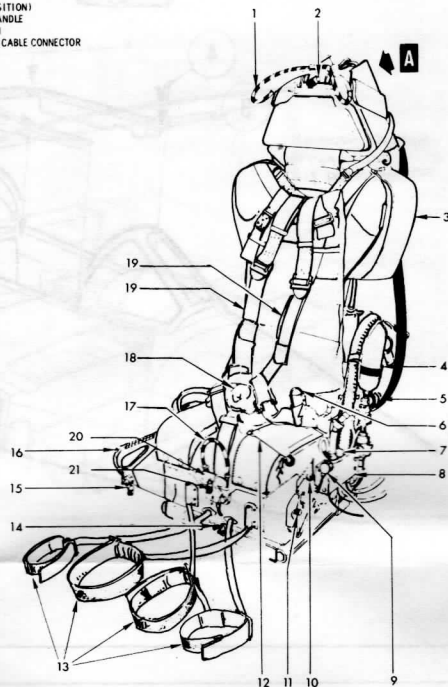
Kit part G2



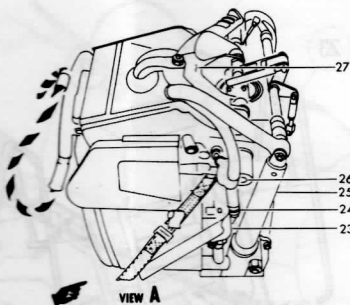
C-2 EJECTION SEAT



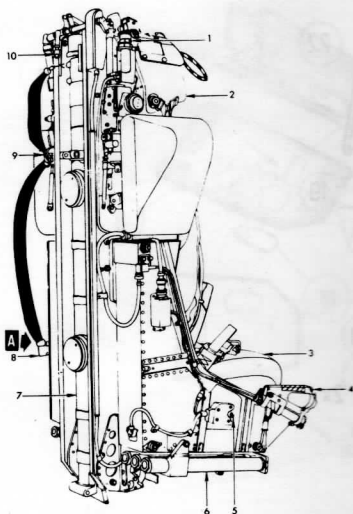
- 1 HEADREST
- 2 MANUAL CABLE CUTTER RING
- 3 PILOT-SEAT SEPARATION STRAP
- 4 SHOULDER HARNESS
- 5 AUTOMATIC SEAT BELT
- 6 SURVIVAL KIT ATTACHMENT STRAP
- 7 OXYGEN SYSTEM FLOW TESTER (BENDIX ONLY)
- 8 EJECTION RING
- 9 SEAT GROUND SAFETY PIN
- 10 KNEE GUARD (STOWED POSITION)
- 11 SURVIVAL KIT RELEASE HANDLE
- 12 SEAT ADJUSTMENT SWITCH
- 13 DEPLOYMENT-GUN ARMING CABLE CONNECTOR



DETAIL A



VIEW A



- 1 SAFETY PIN (POWER RETRACTION)
- 2 DROGUE PARACHUTE CONTAINER
- 3 SURVIVAL PACK
- 4 RELEASE BUTTON
- 5 SEAT ADJUSTMENT ACTUATOR SWITCH
- 6 ROCKET PACK
- 7 MAIN GUN
- 8 OXYGEN RELEASE LEVER AND SAFETY PIN
- 9 SAFETY PIN (DROGUE GUN)
- 10 SAFETY PIN OF CANOPY JETTISON INITIATOR
- 11 SAFETY PIN (MAIN GUN)
- 12 SAFETY PIN (GUILLOTINE FIRING HANDLE)

- 1 UPPER FIRING HANDLE
- 2 SAFETY PIN (UPPER FIRING HANDLE)
- 3 PARACHUTE PACK
- 4 EMERGENCY OXYGEN BOTTLE
- 5 PRESSURE GAGE
- 6 D-RING (PARACHUTE)
- 7 PEC-PILOT PORTION
- 8 PEC-SEAT PORTION
- 9 MANUAL RELEASE KNOB (GREEN APPLE)
- 10 GO-FORWARD LEVER
- 11 LEG LINE RELEASE LEVER
- 12 DINGHY LOWERING LINE
- 13 LEG RESTRAINING GARTERS AND CORDS
- 14 SAFETY PIN (ROCKET PACK INITIATOR)
- 15 SAFETY PIN (GUILLOTINE FIRING UNIT)
- 16 MANUAL OVERRIDE HANDLE
- 17 LOWER FIRING HANDLE
- 18 QUICK RELEASE BOX
- 19 COMBINED HARNESS
- 20 SWIVEL GUARD
- 21 SAFETY PIN (LOWER FIRING HANDLE)
- 22 RELEASE RINGS
- 23 GUILLOTINE
- 24 SCREWED COUPLING
- 25 DROGUE GUN
- 26 TOP LATCH
- 27 SCISSOR SHACKLE

EJECTION SEAT **MB**