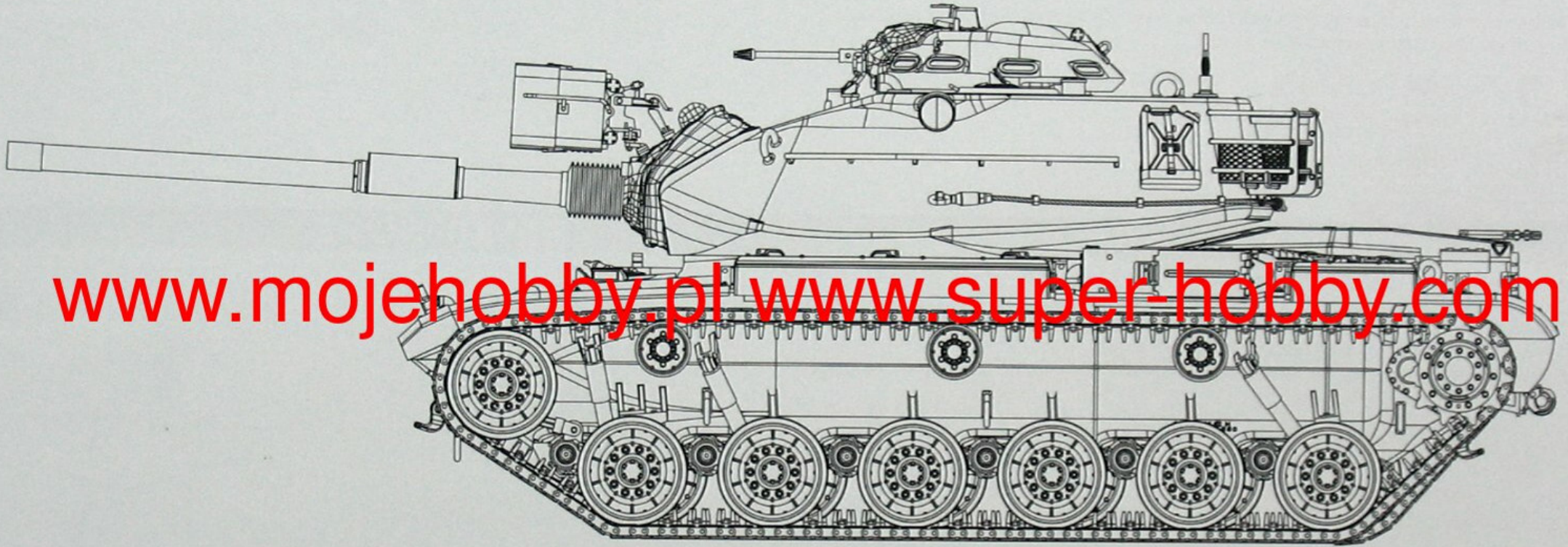


M60A1 U.S. ARMY MAIN BATTLE TANK



Evolving from the M48 through the M60, the M60A1 Patton tank was produced from 1962 through 1980. This newer variant featured a redesigned wedge-shaped turret with improved ballistic protection and a new mounting for the 105mm M68 main gun (modified from the excellent British L7 with a vertical sliding breech block), which could fire HE, Frag, AP, and HEAT rounds. Additional armament consisted of a coaxially mounted 7.62 mm M73 machine gun and a 12.7 mm M85 machine gun mounted in the commander's cupola. Further improvements consisted of increased armor thickness on the glacis and hull sides, as well as the installation of shock absorbers at the first two and last roadwheel stations. Powered by the improved 643 hp Continental AVDS-1790-2A V-12 twin turbo diesel engine coupled to the Allison CD-850-6A powershift cross-drive transmission, the tank weighed 58 tons and was served by a crew of four – commander, gunner, loader, and driver. This vehicle became the main battle tank fielded by the US Armed forces through the 1960's into the early 1970's, and was also exported to serve in the armed forces of Argentina, Austria, Ethiopia, Italy, Jordan, Iran, Israel, Morocco, Sudan and Turkey.

READ BEFORE ASSEMBLY

CAUTION

- Read carefully and fully understand the instructions before commencing assembly. A supervising adult should also read the instructions if a child assembles the model.
- When assembling this kit, tools including knives used. Extra care should be taken to avoid personal injury.
- Keep out of reach of small children. Children must not be allowed to suck any part, or pull vinyl bag over their heads.



Optional



Remove



Do Not Cement



Fill Holes



Drill



Instant Glue
for Metal



Be Careful

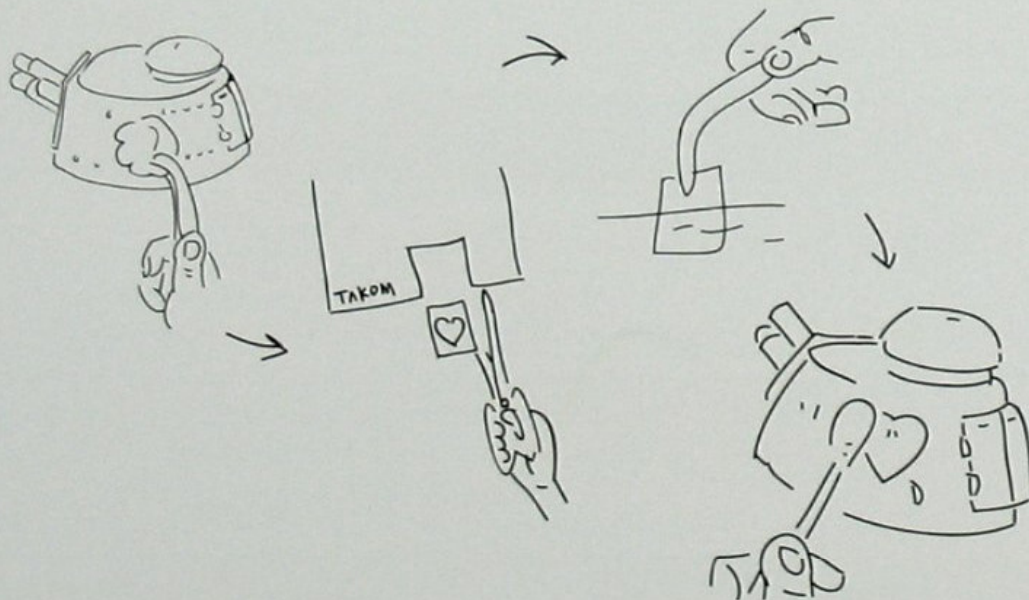
PAINTS REQUIRED

Color info and profiles by Mig Jimenez

A.MIG-0005 Dark Tracks	A.MIG-0041 Dark Rust	A.MIG-0100 Silver	A.MIG-0004 Crystal Glass
A.MIG-0006 Crystal Smoke	A.MIG-0093 Crystal Black Blue	A.MIG-0018 Green Khaki	A.MIG-0103 Rubber & Tires
A.MIG-0081 U.S. Olive Drab	A.MIG-0022 Stain Black	A.MIG-0054 Earth Brown	A.MIG-0007 Yellow Grey
A.MIG-0048 Matt Black	A.MIG-0020 Olive Drab Shine		

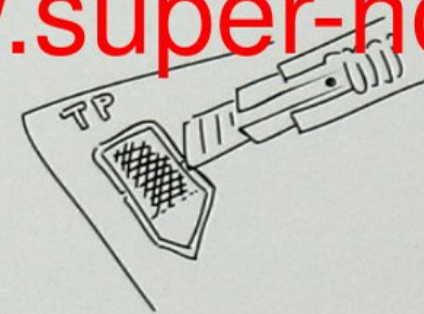
APPLYING DECALS

1. Clean the model surface with a wet cloth.
2. Cut out each decal design from sheet, and dip it in tepid water for 15-20 sec.
3. Hold the backing sheet edge and slide decal onto the model.
4. Move decal into position by wetting decal with finger.
5. Press decal gently down with a soft cloth until excess water and air bubbles are gone.

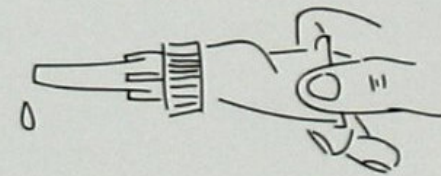


REMOVING PE

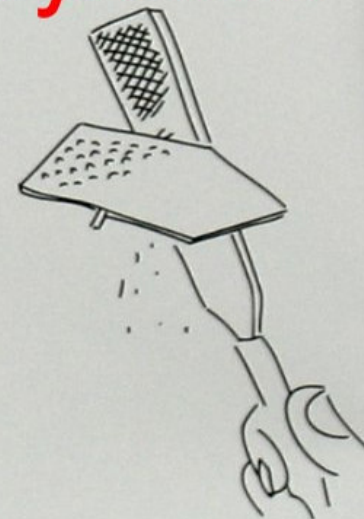
www.mojehobby.pl www.super-hobby.com



Be careful not to hurt when removing PE parts.

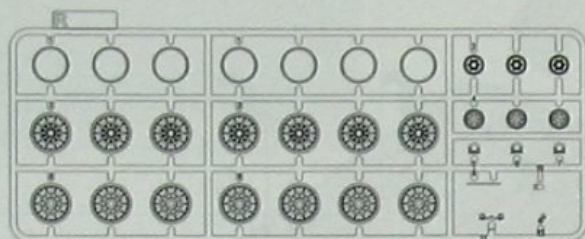
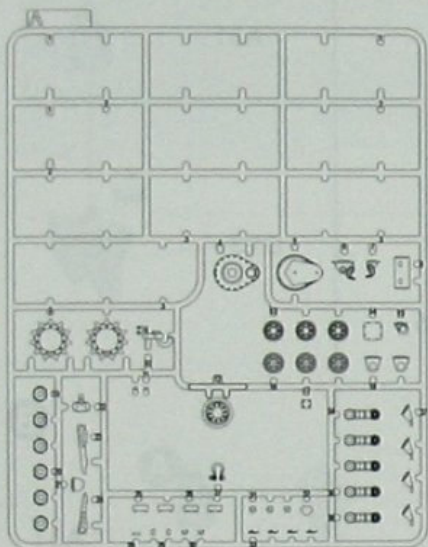


Secure using instant glue (not included).

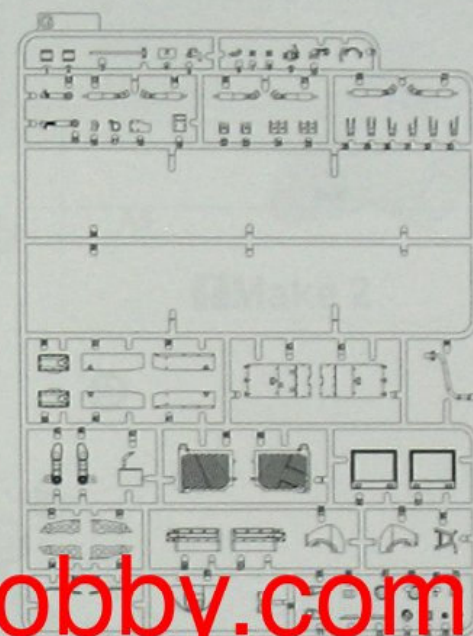
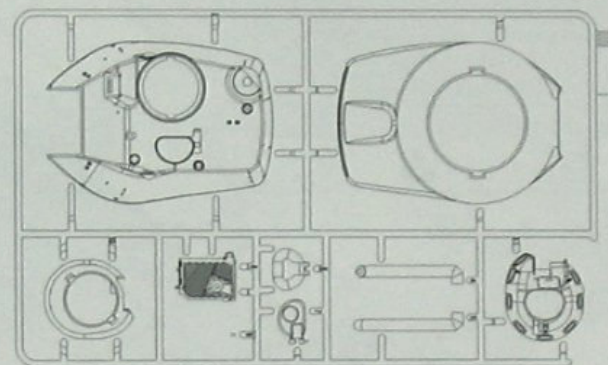


Finish using file.

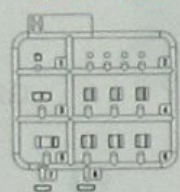
PARTS



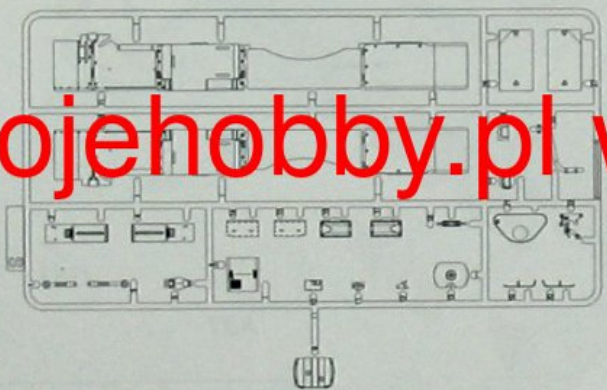
X2



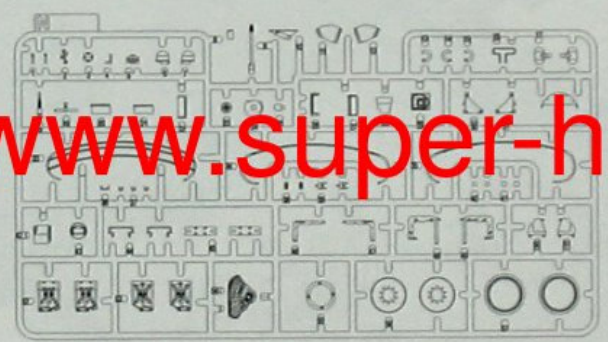
www.mojehobby.pl www.super-hobby.com



T



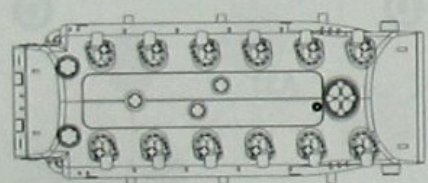
X2



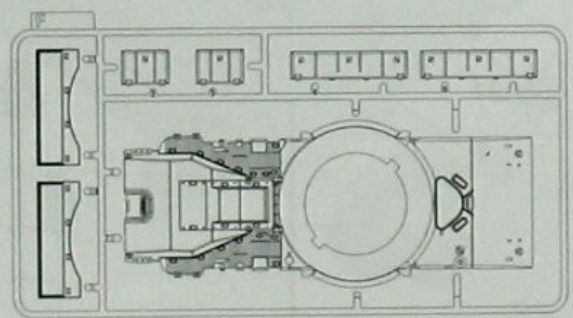
Cable

X2

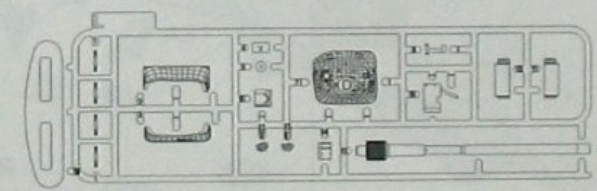
Steel Pins



Lower Hull



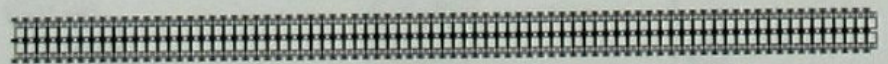
X2



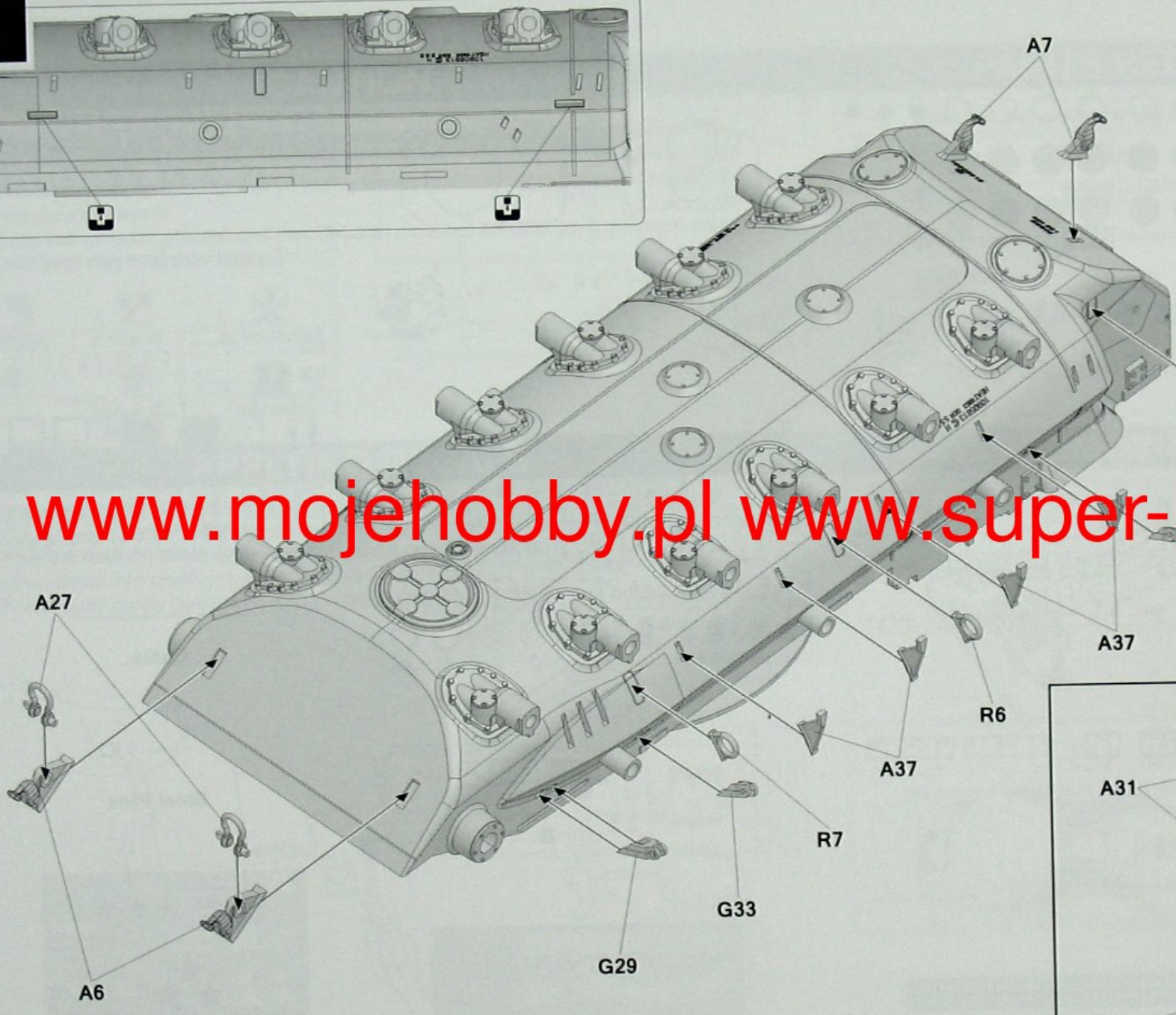
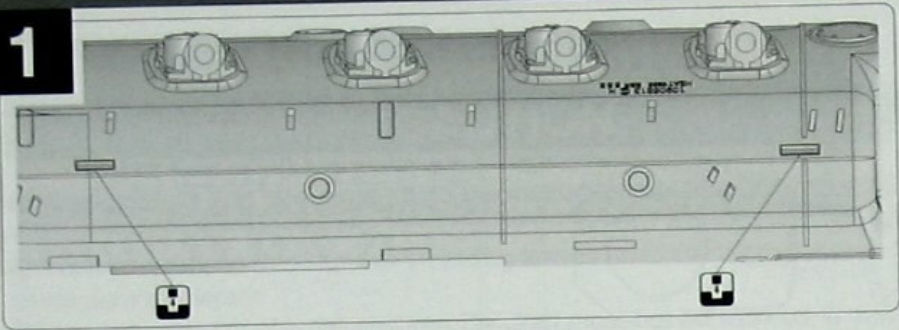
TP



Decal



1



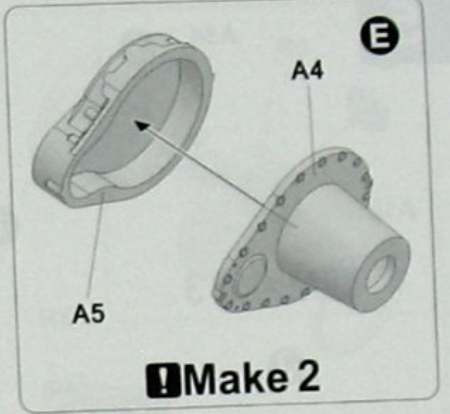
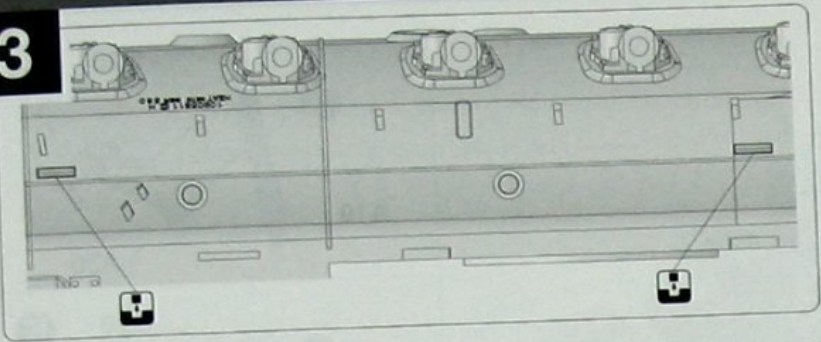
www.moje hobby.pl www.super-hobby.com

2

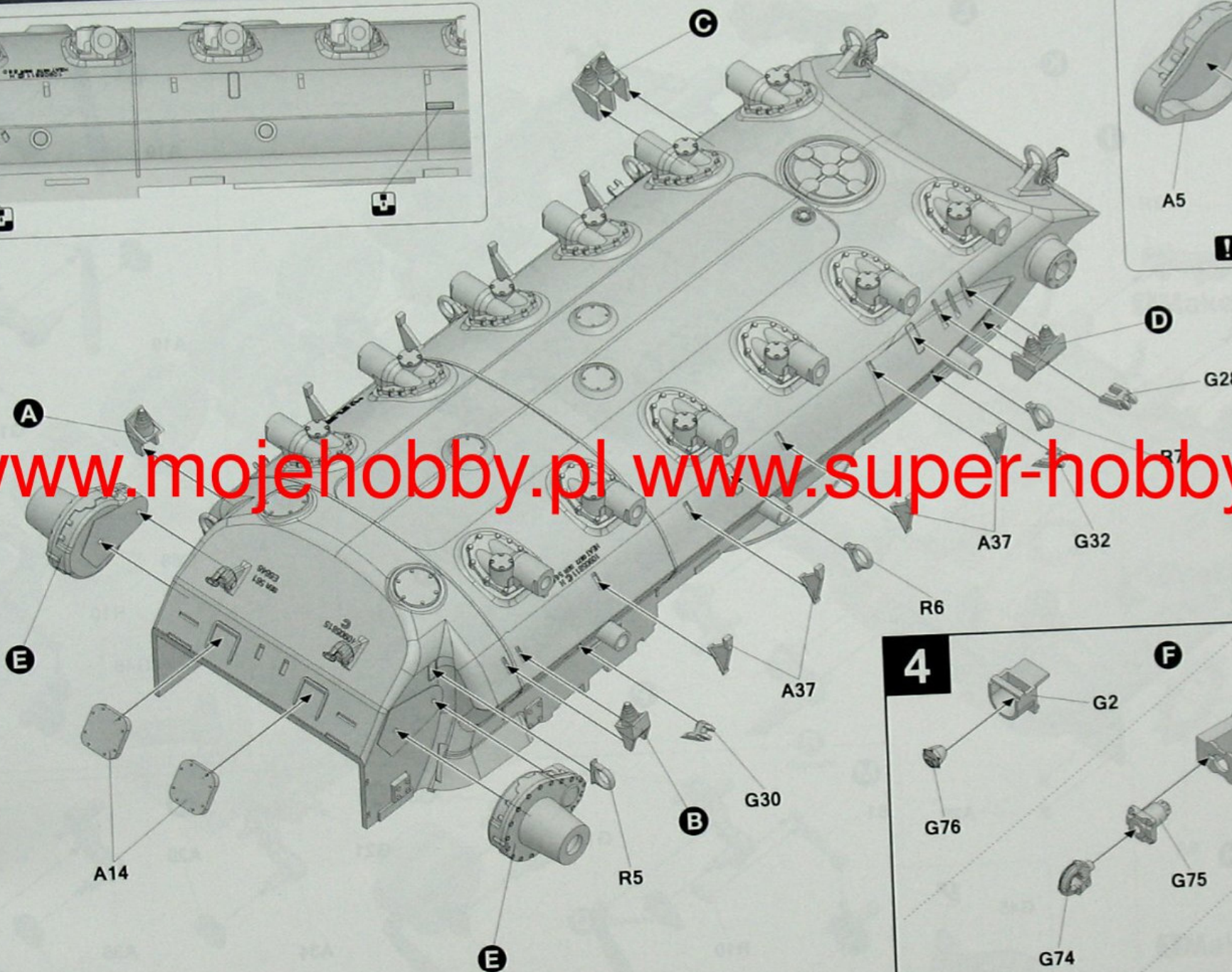


3

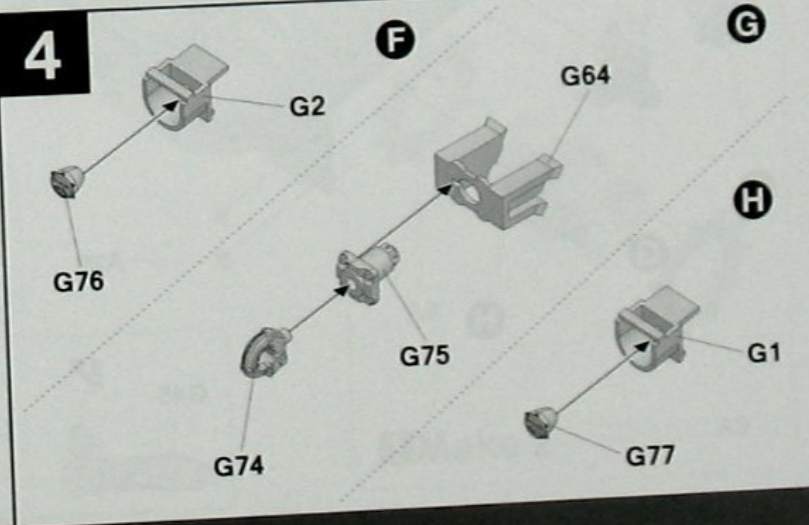
3



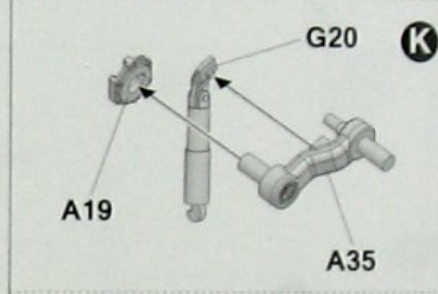
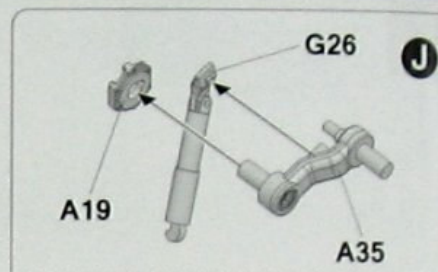
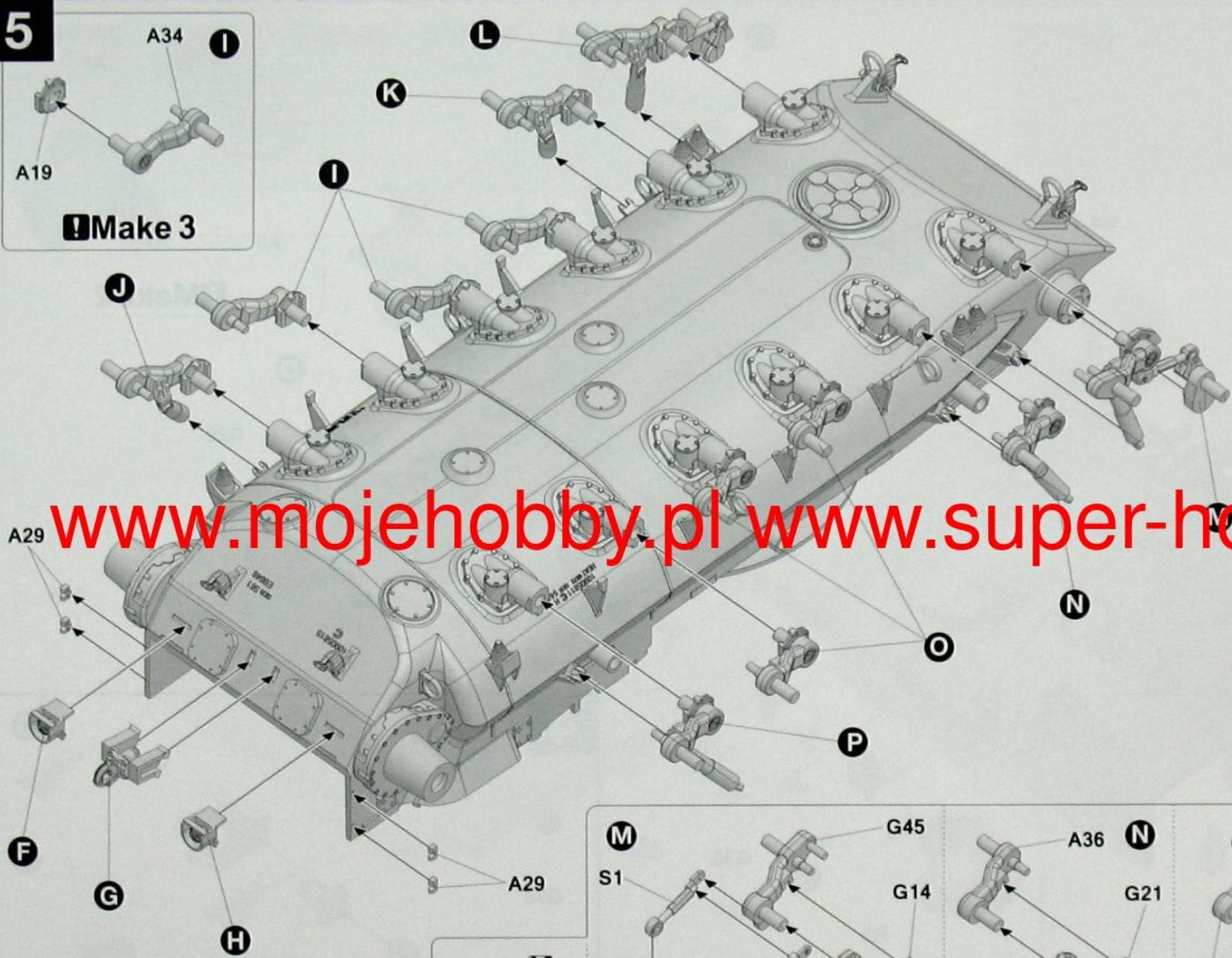
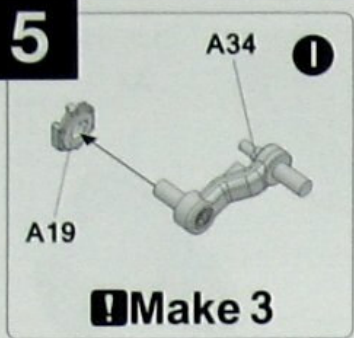
www.mojehobby.pl www.super-hobby.com



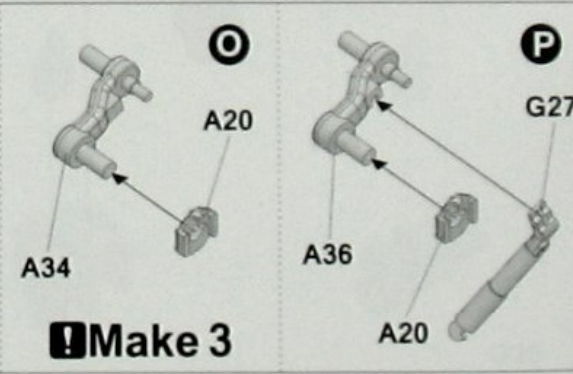
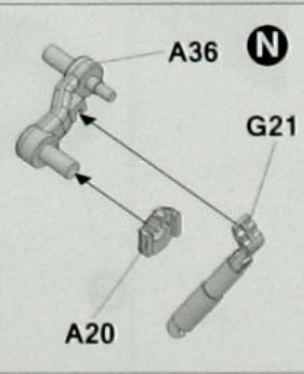
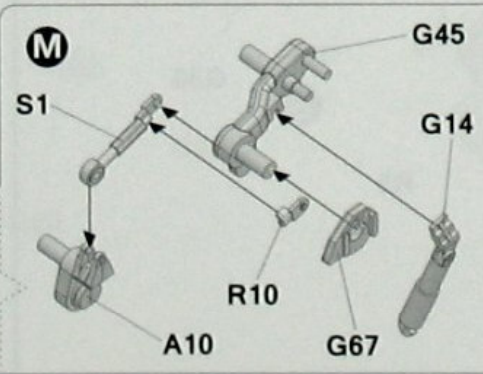
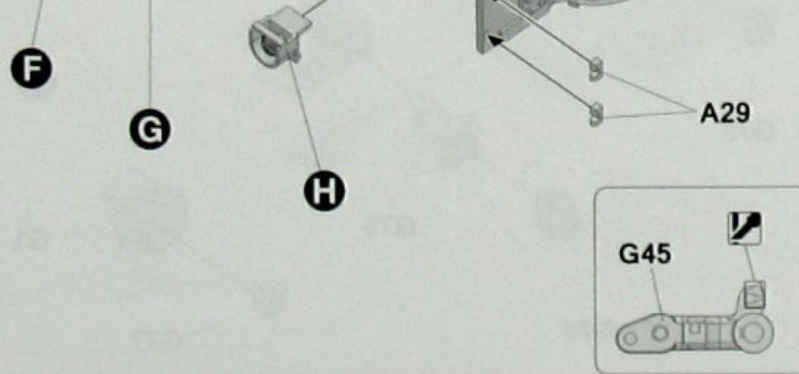
4

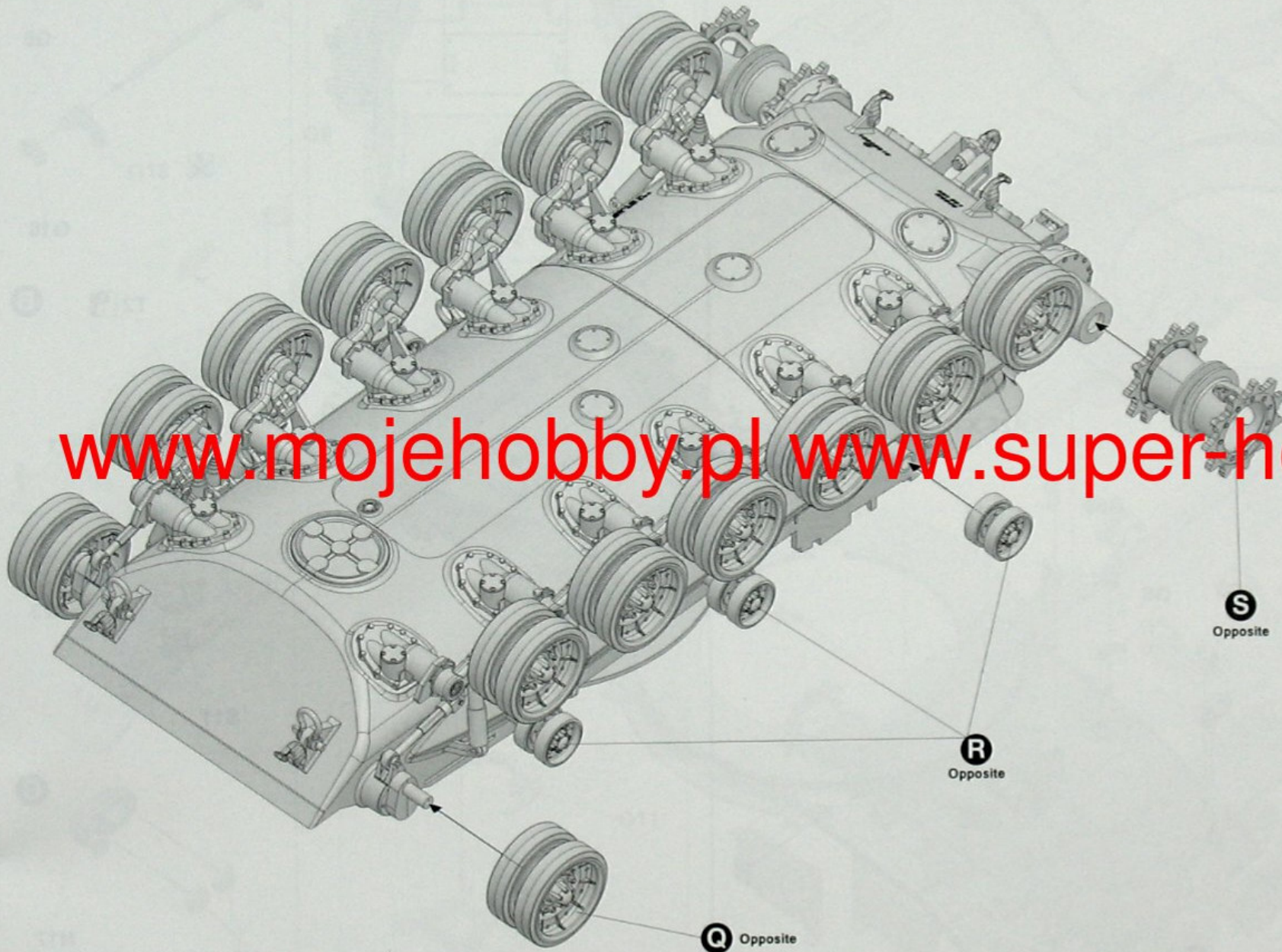


5



www.mojehobby.pl www.super-hobby.com





www.moje Hobby.pl www.super-hobby.com

R3

R8

R1

Make 14

R2

R4

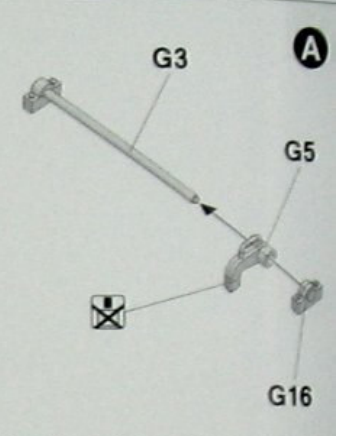
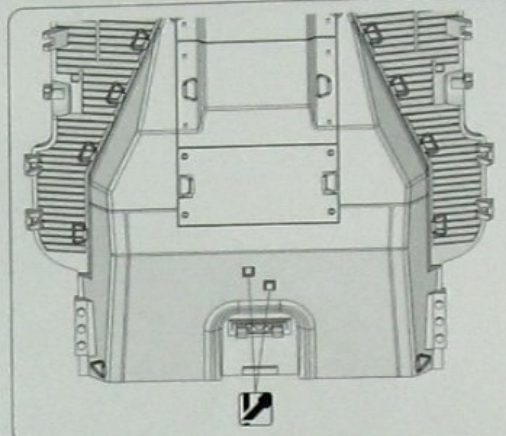
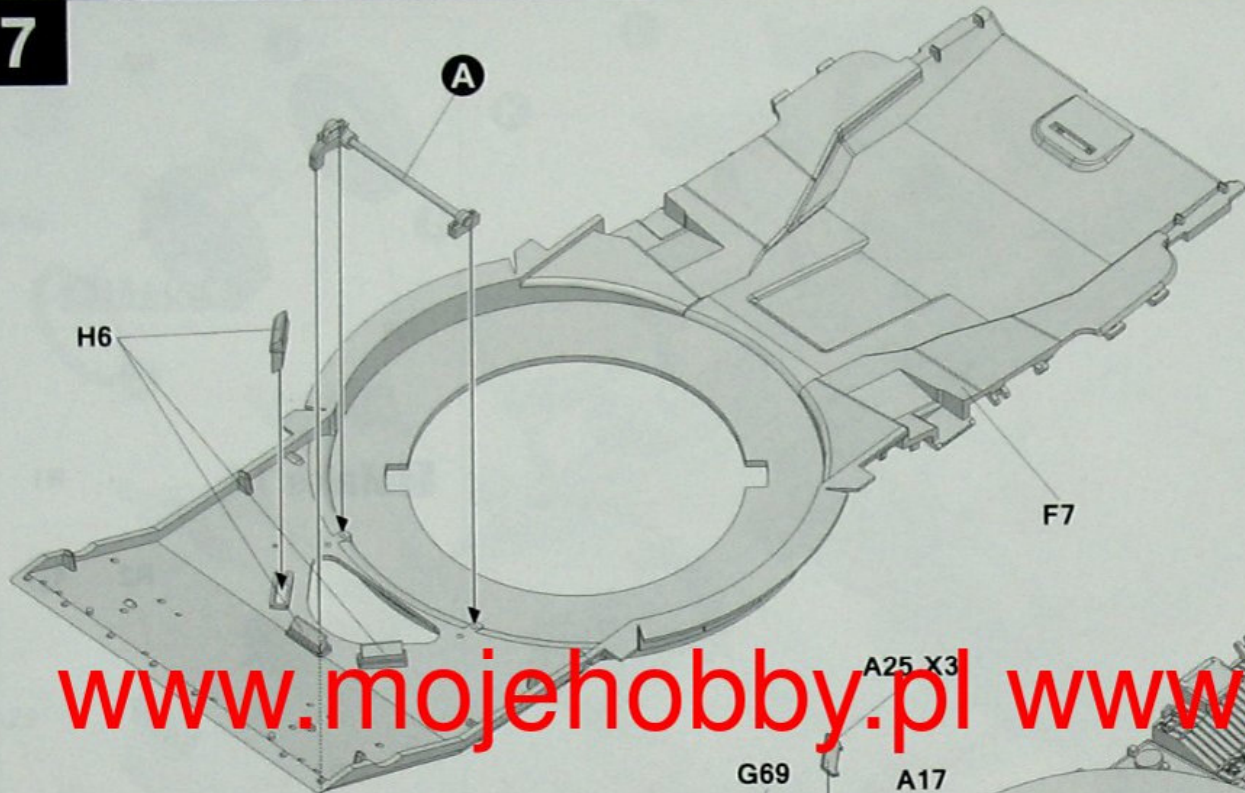
Make 6

A12

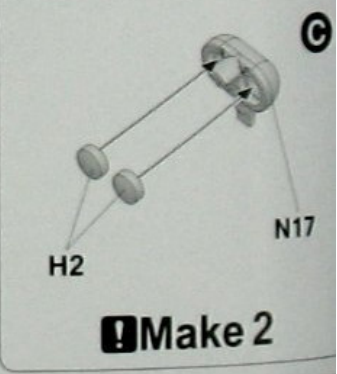
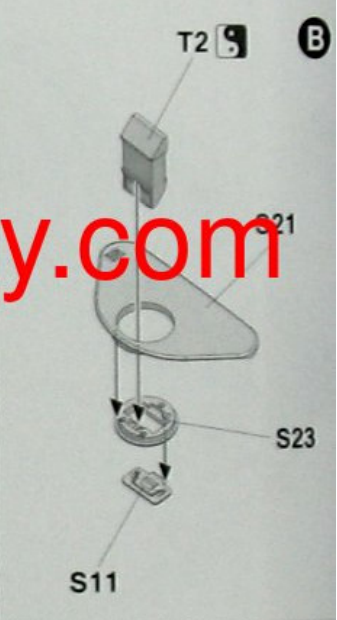
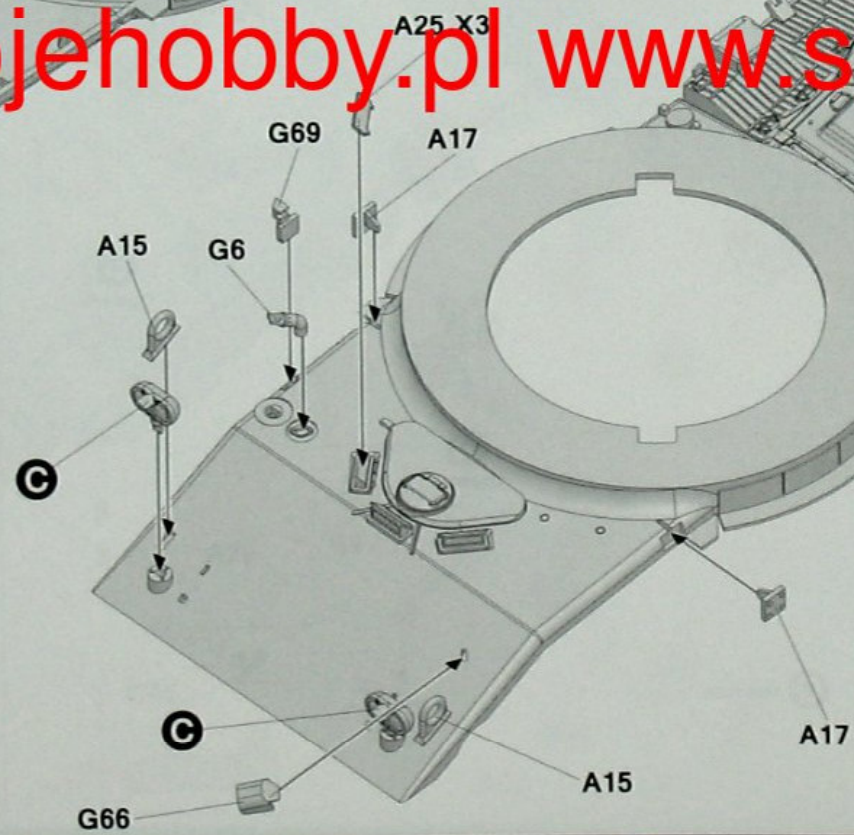
A9

A9

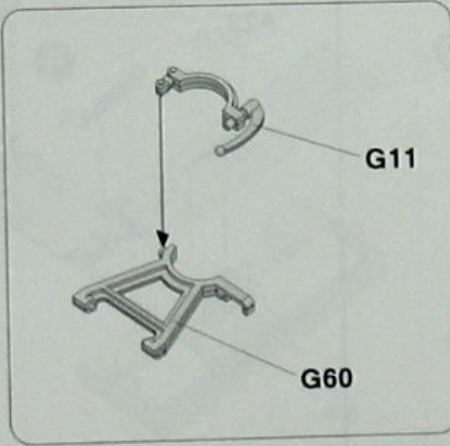
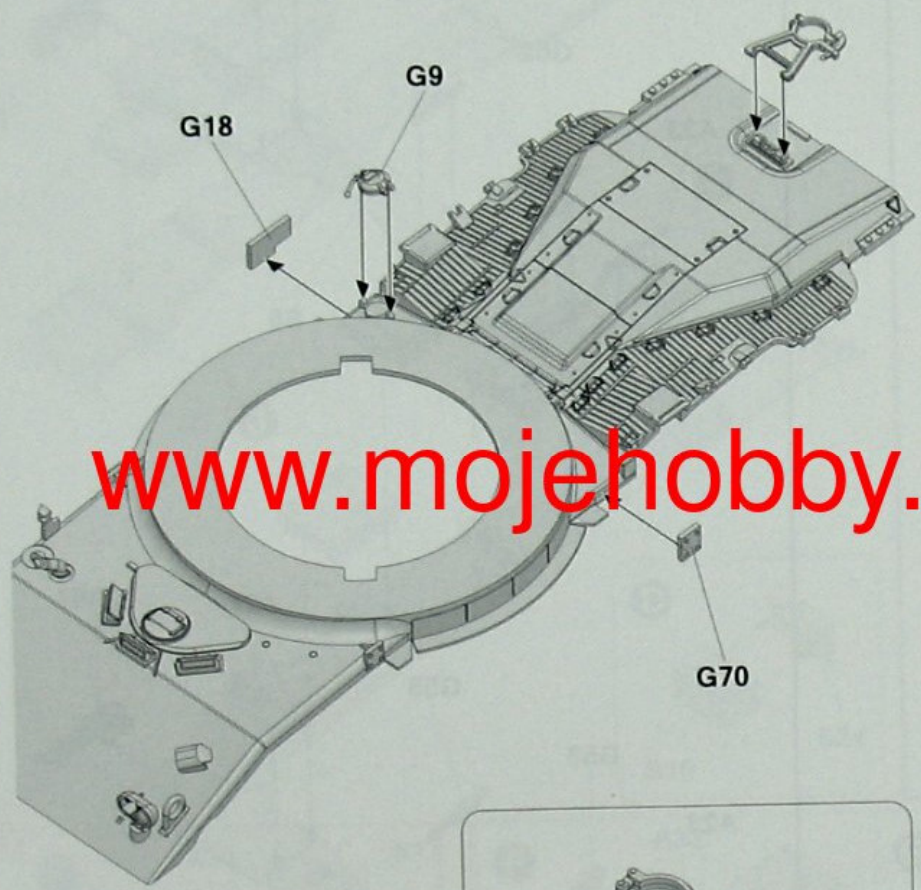
Make 2



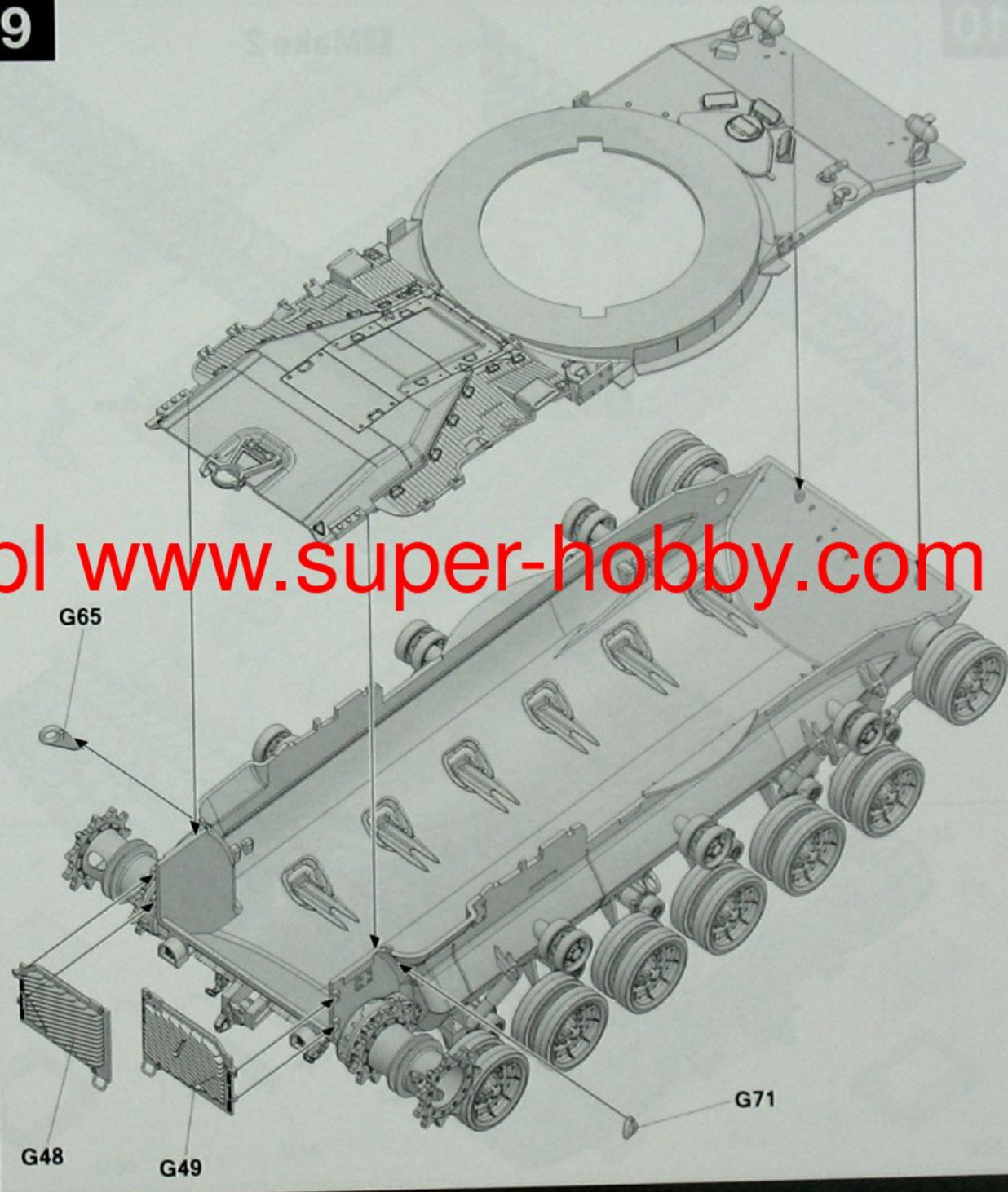
www.mojehobby.pl www.super-hobby.com



8

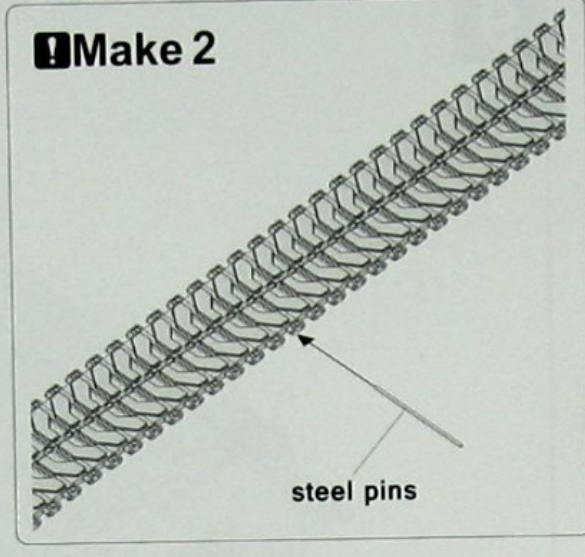
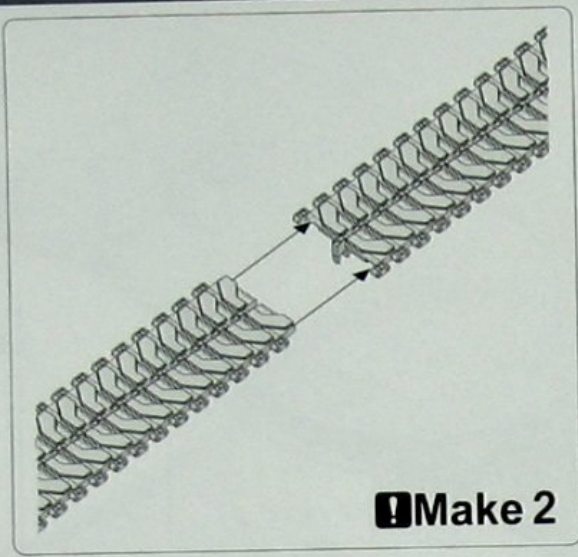


9

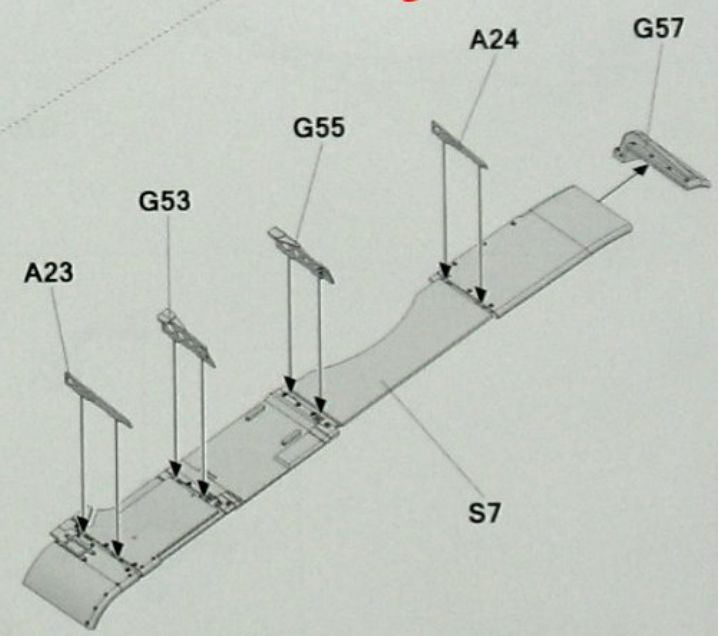
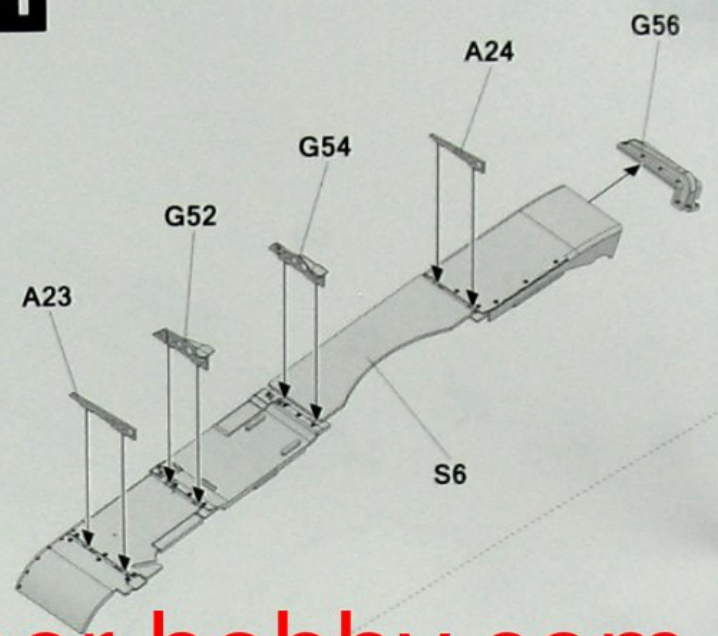


www.mojehobby.pl www.super-hobby.com

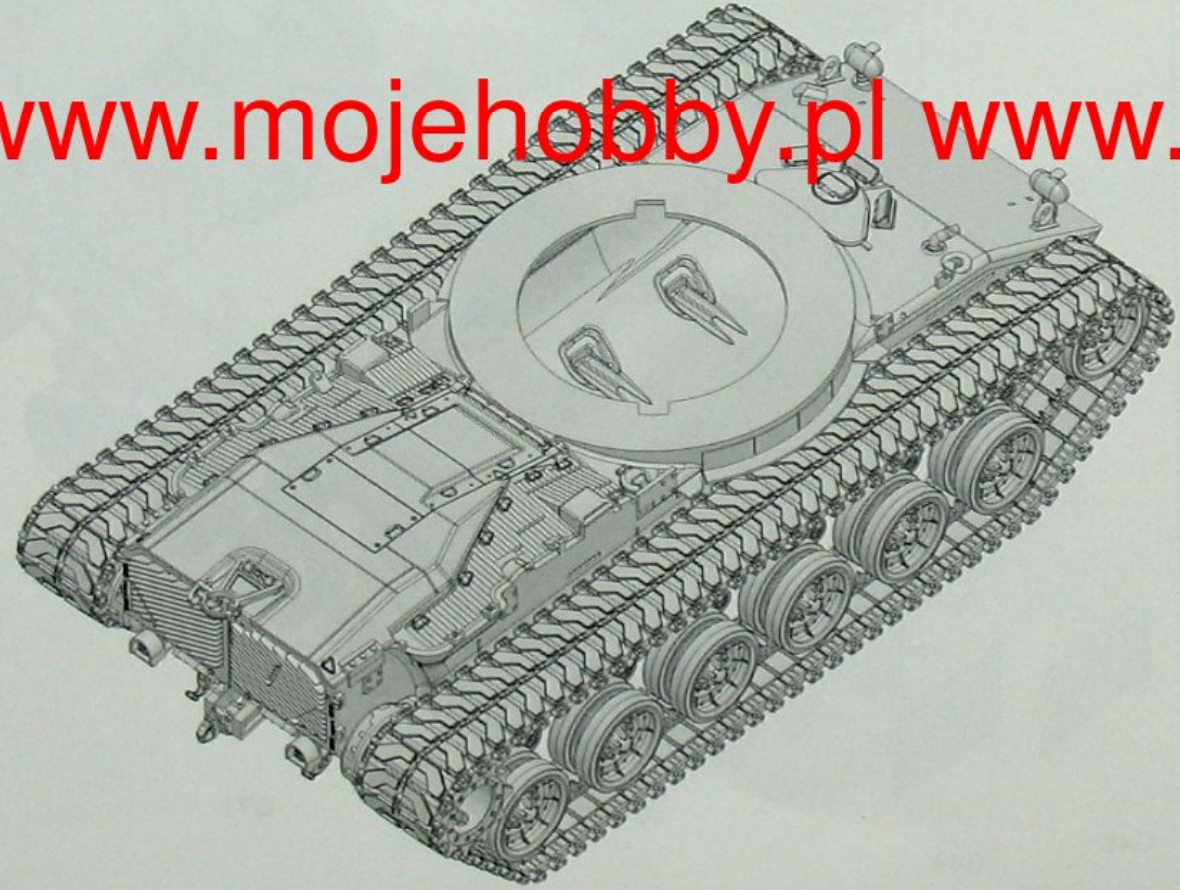
10



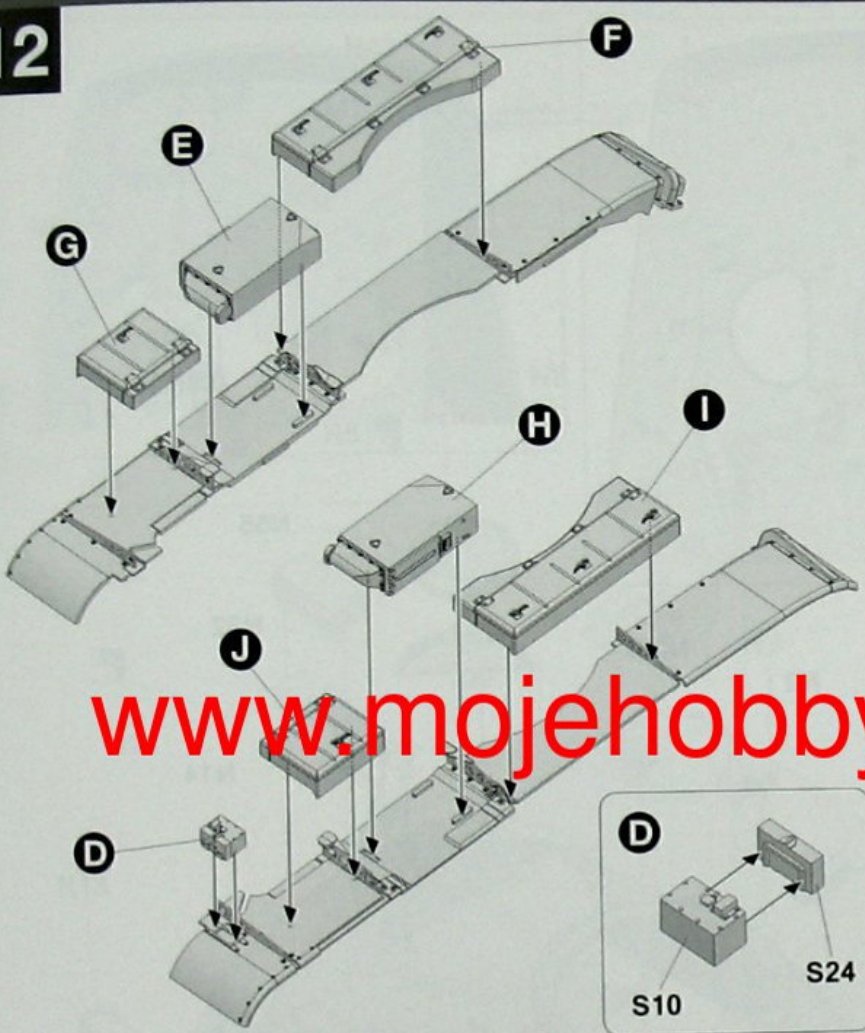
11



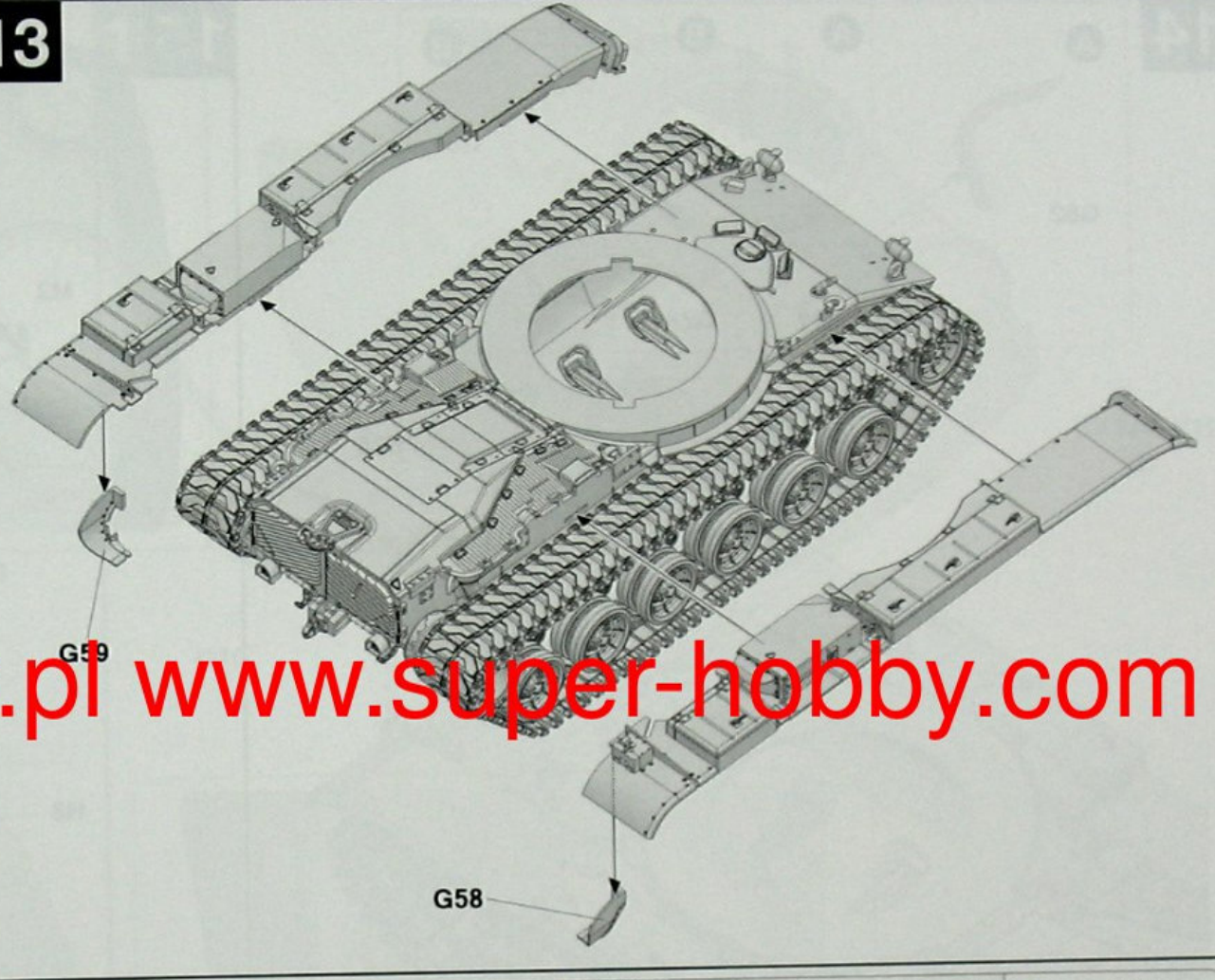
www.mojehobby.pl www.super-hobby.com



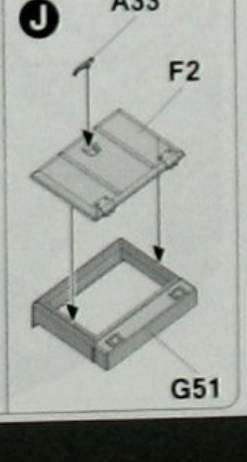
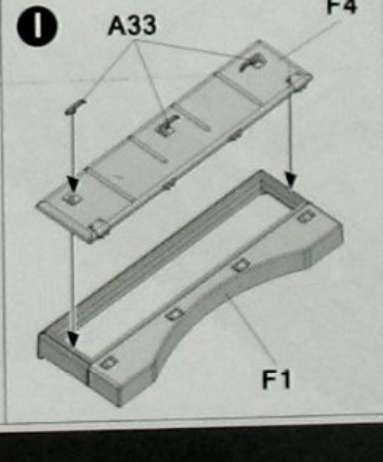
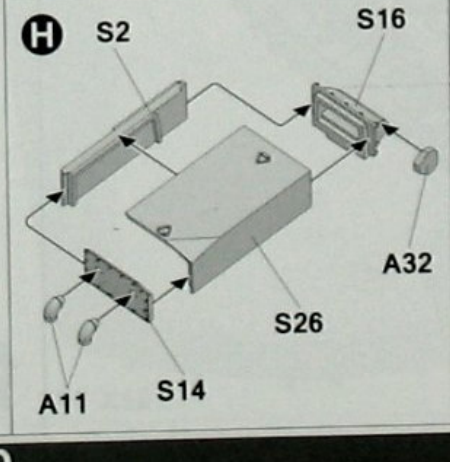
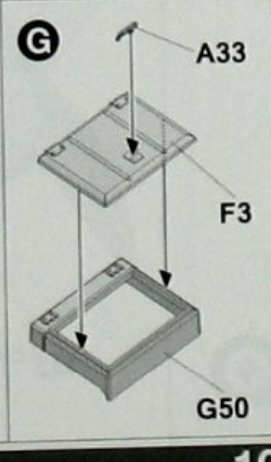
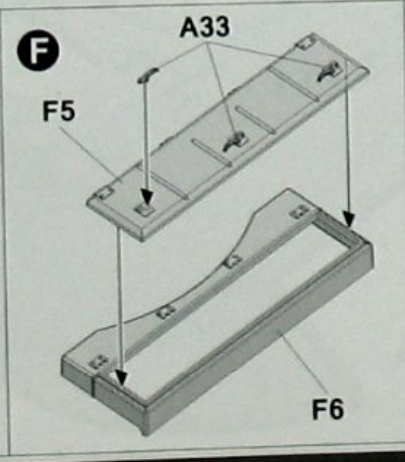
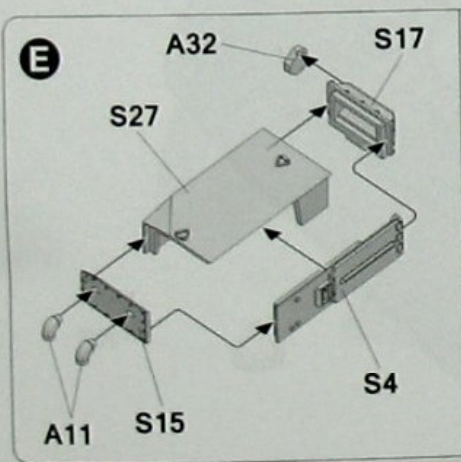
12



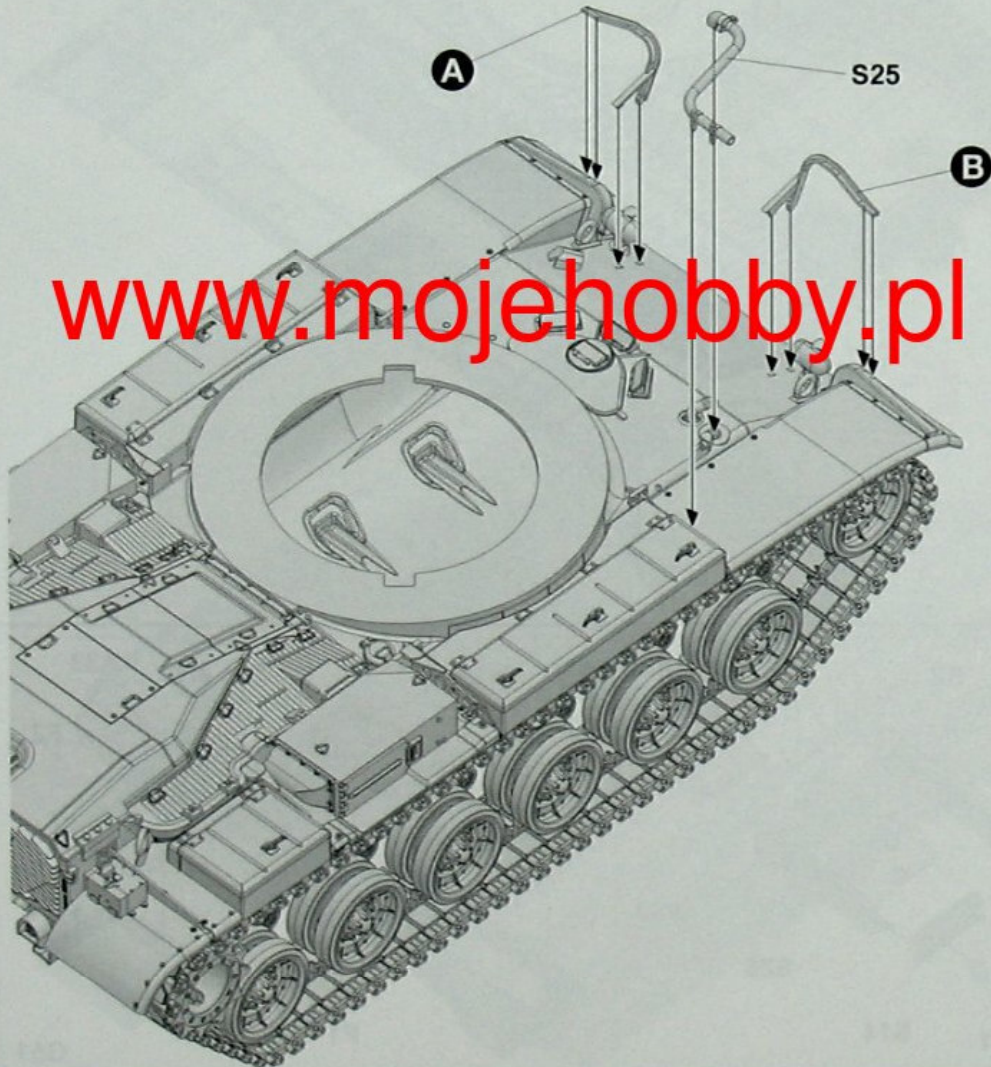
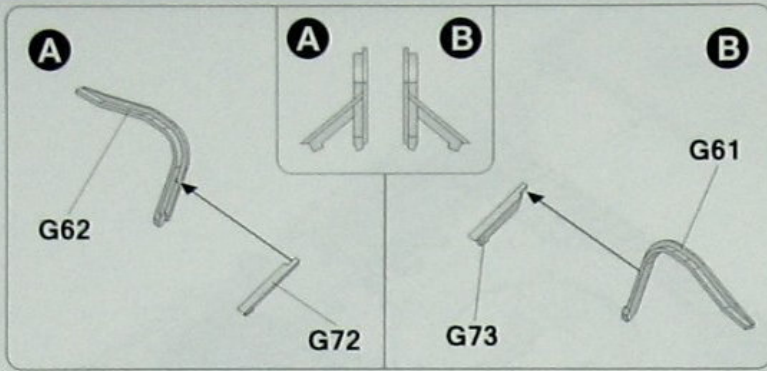
13



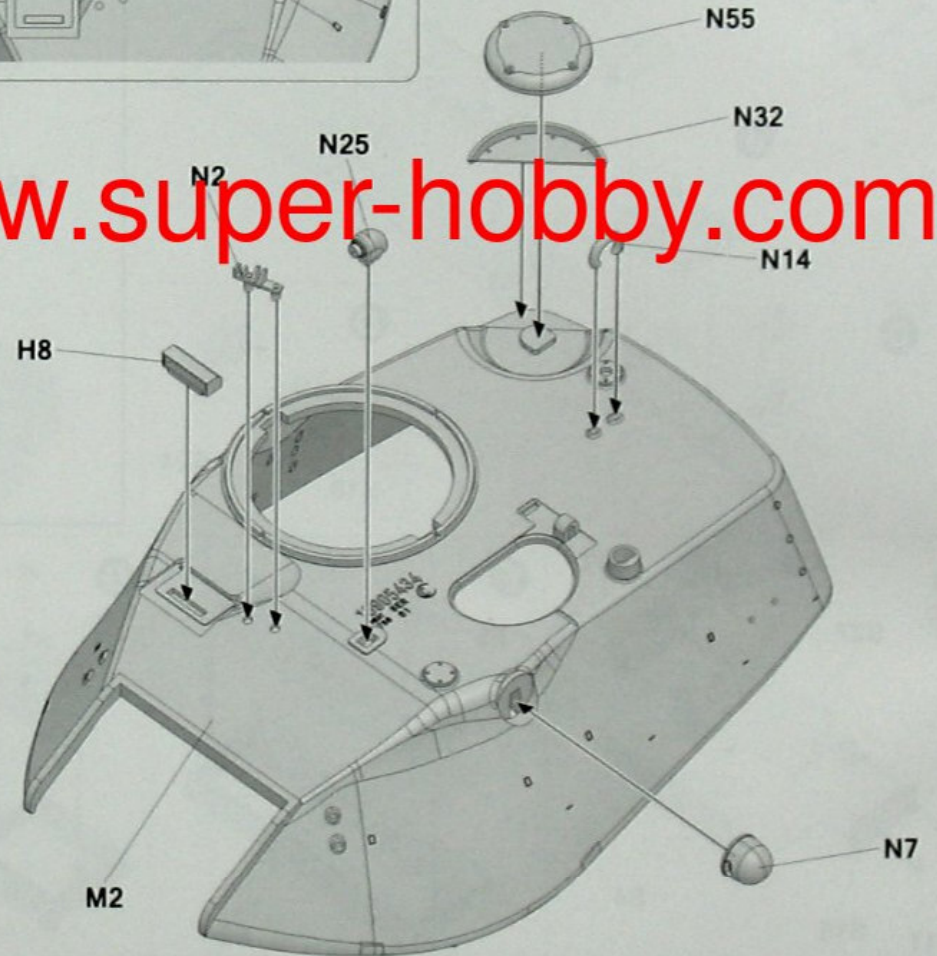
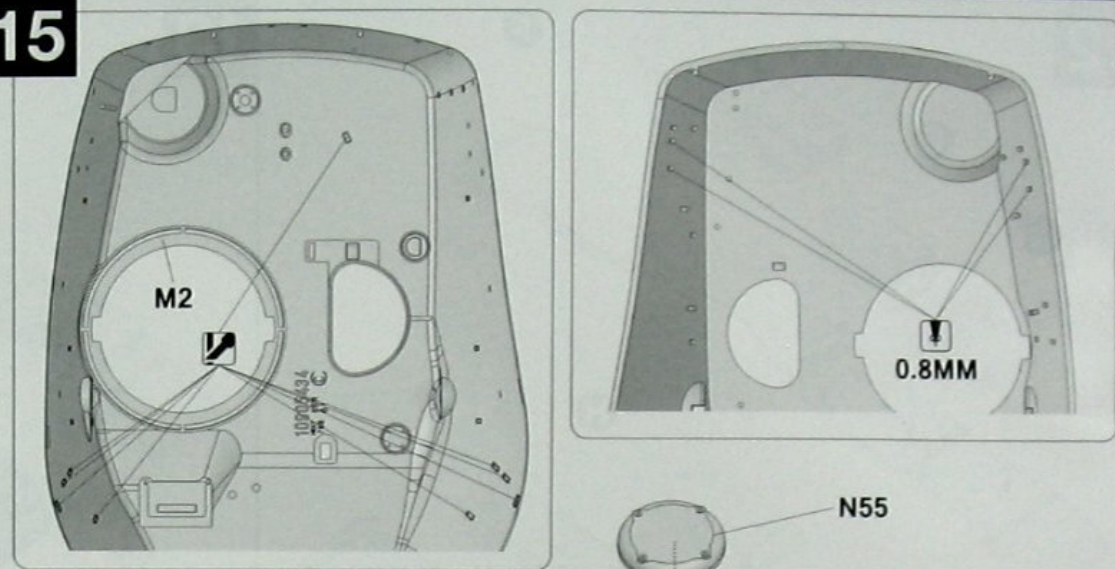
www.moje Hobby.pl www.super-hobby.com



14

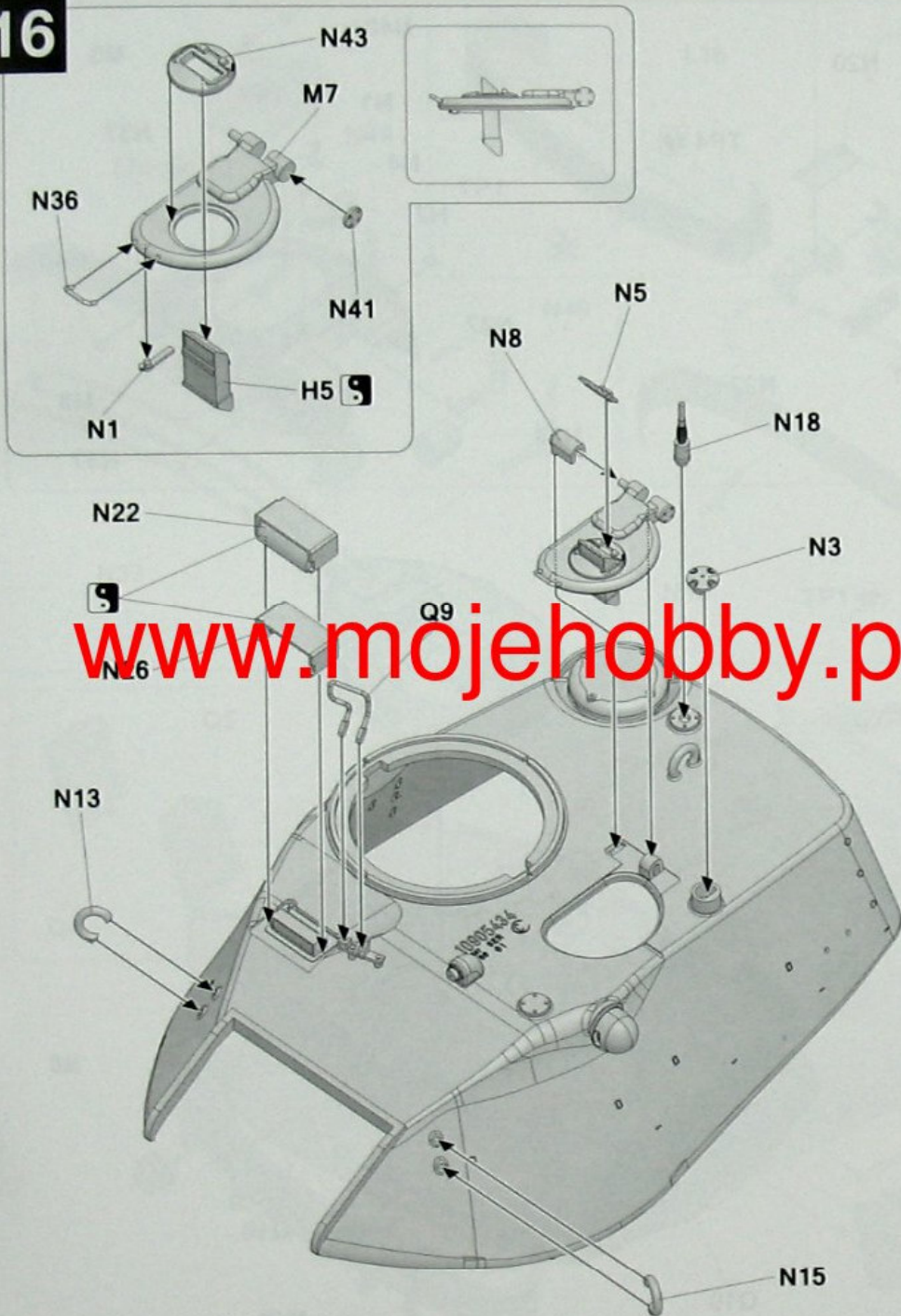


15

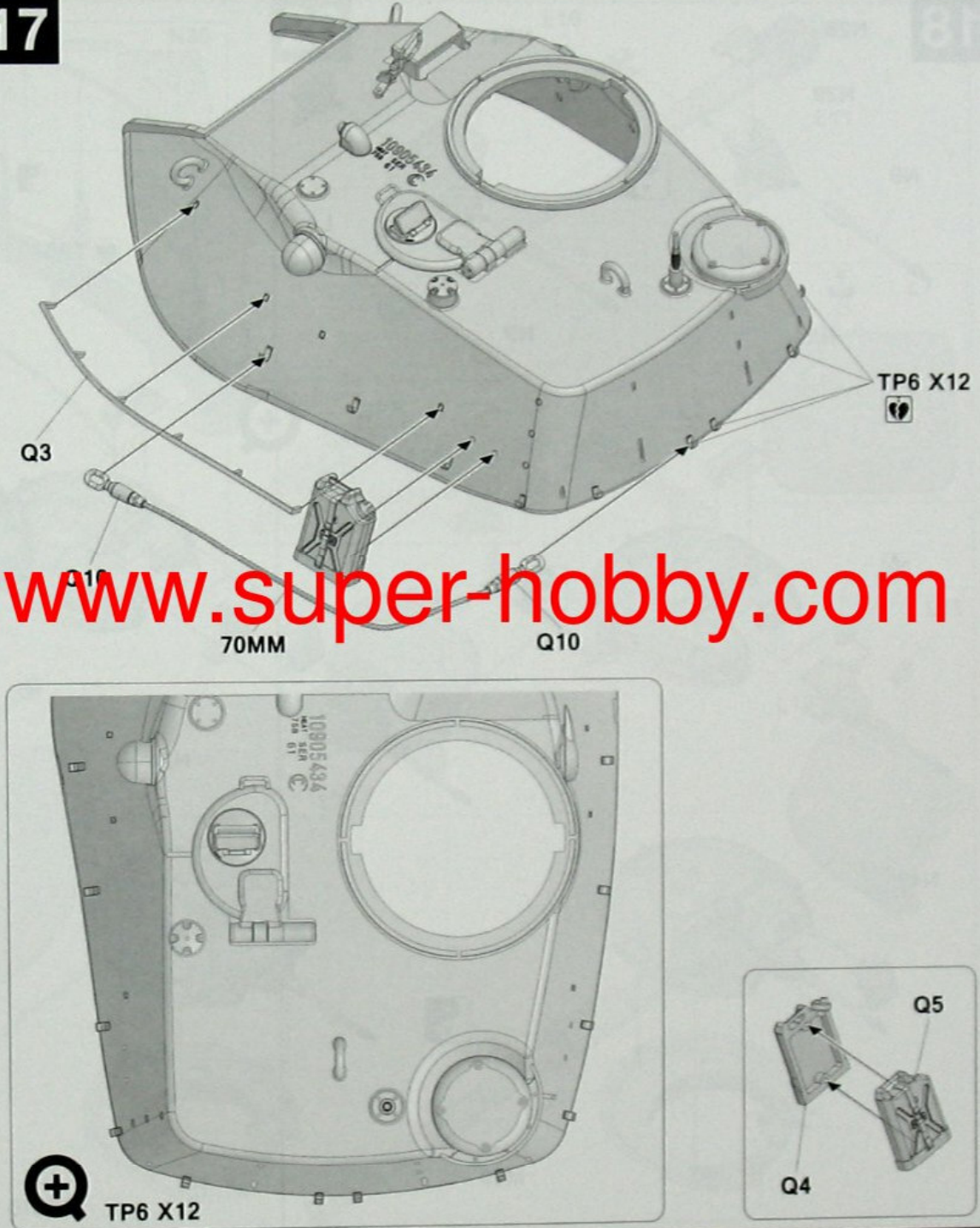


www.mojehobby.pl www.super-hobby.com

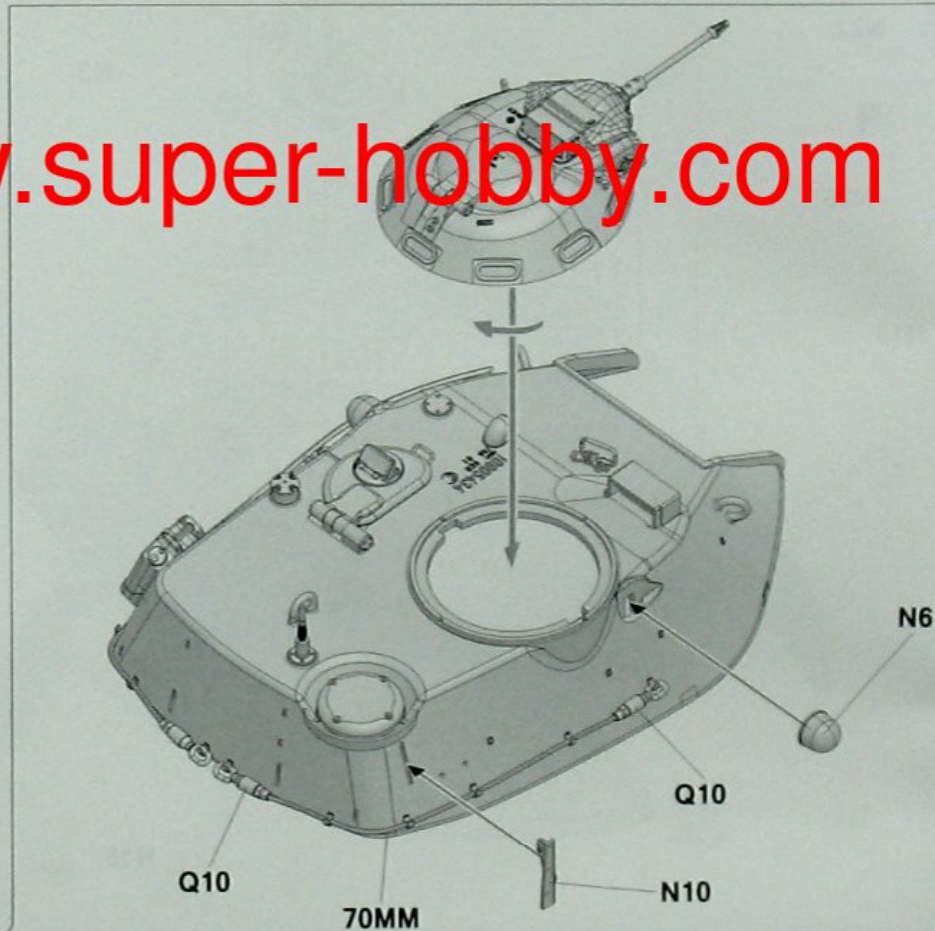
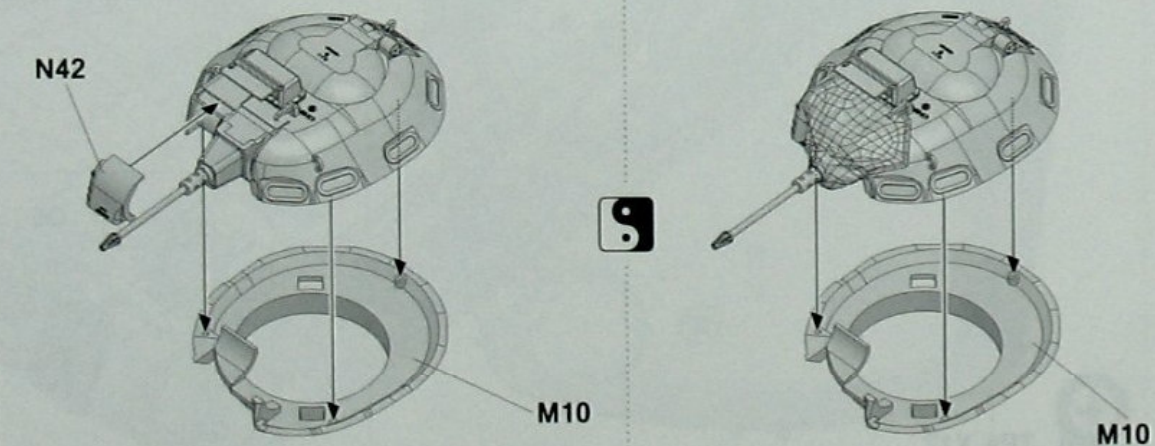
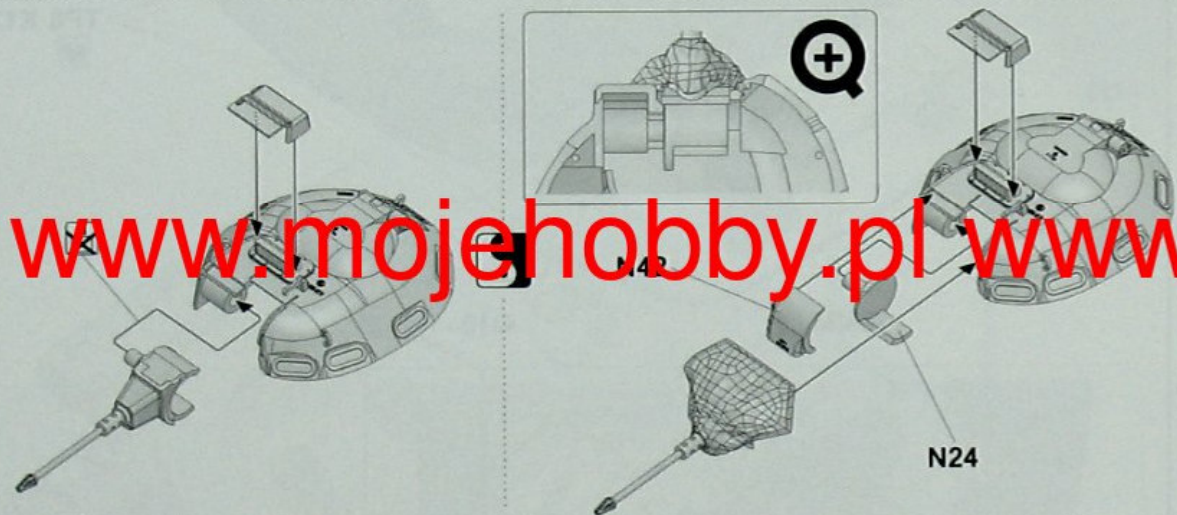
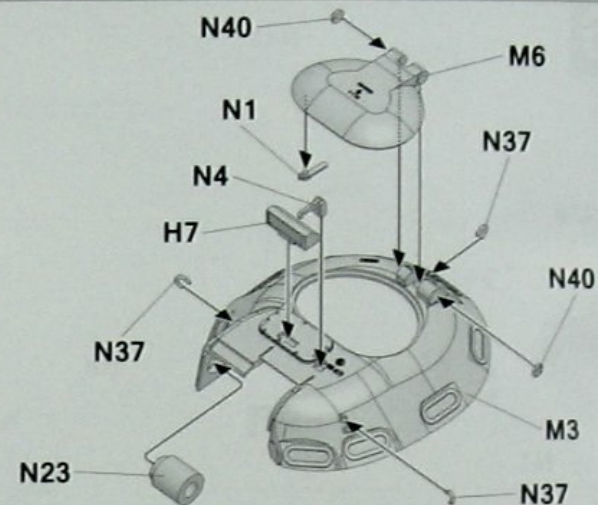
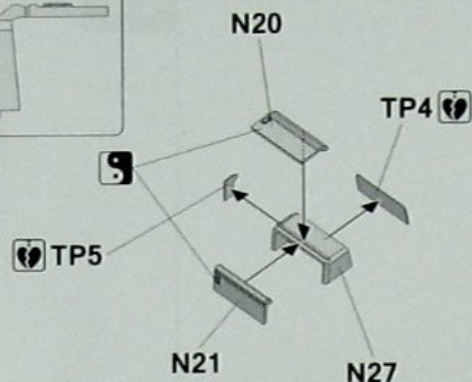
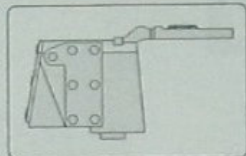
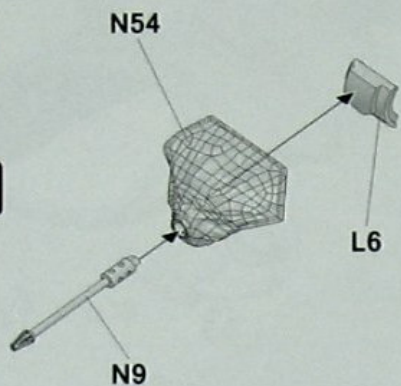
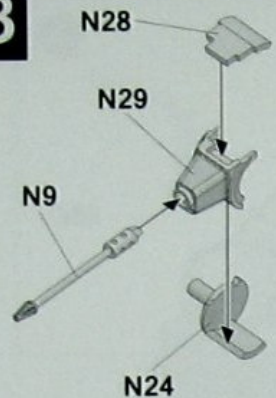
16



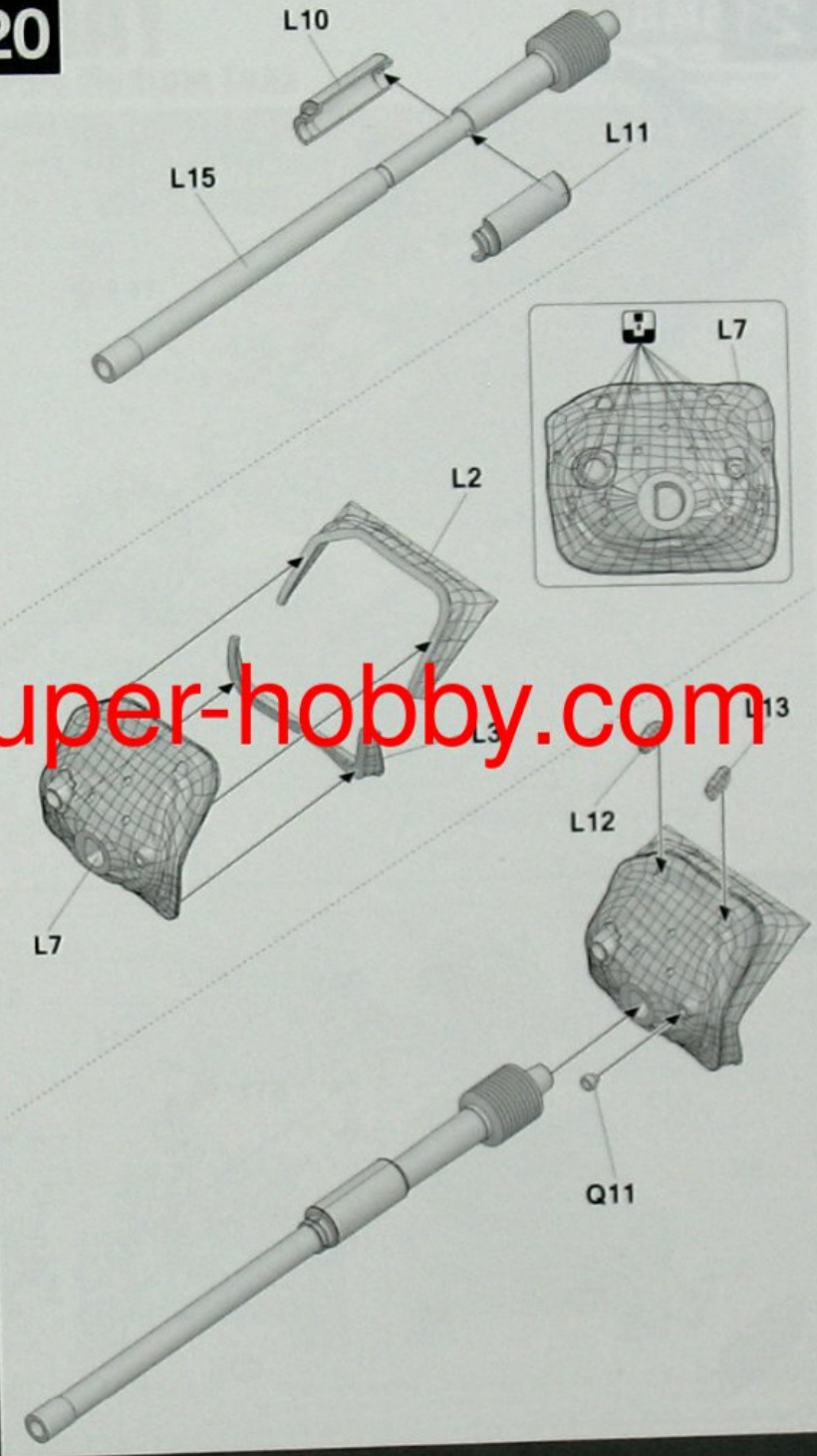
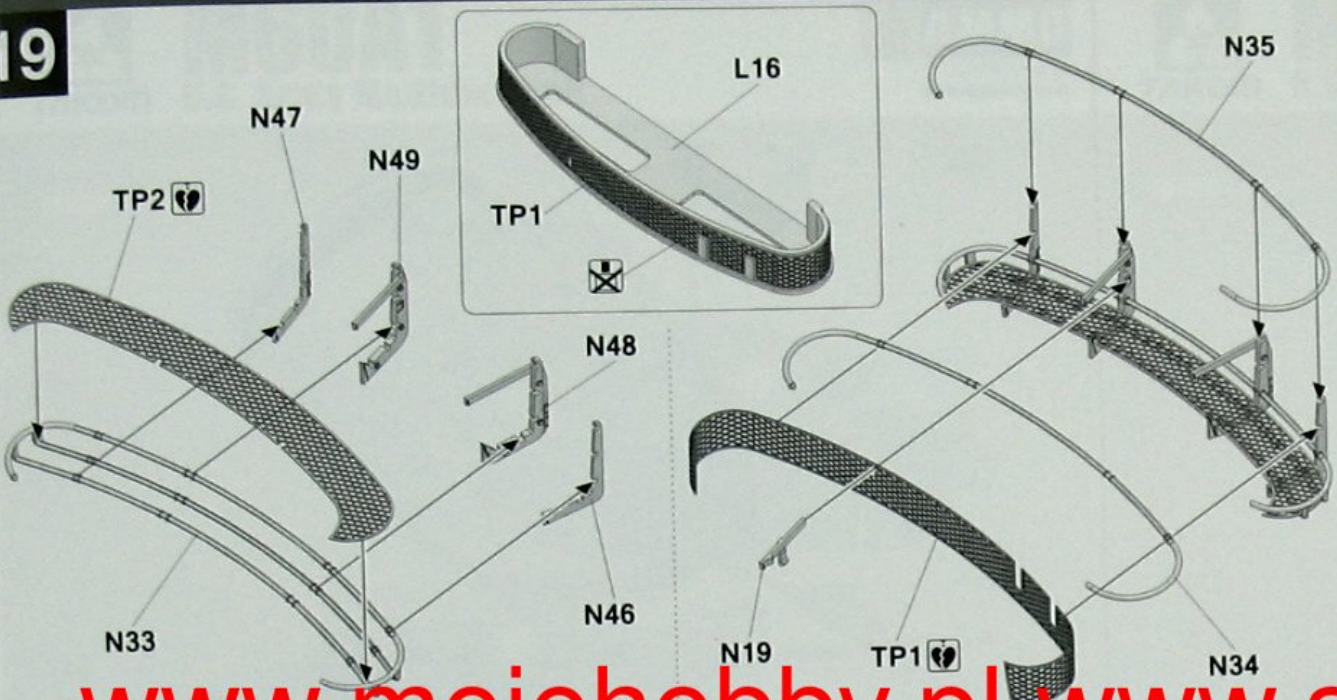
17



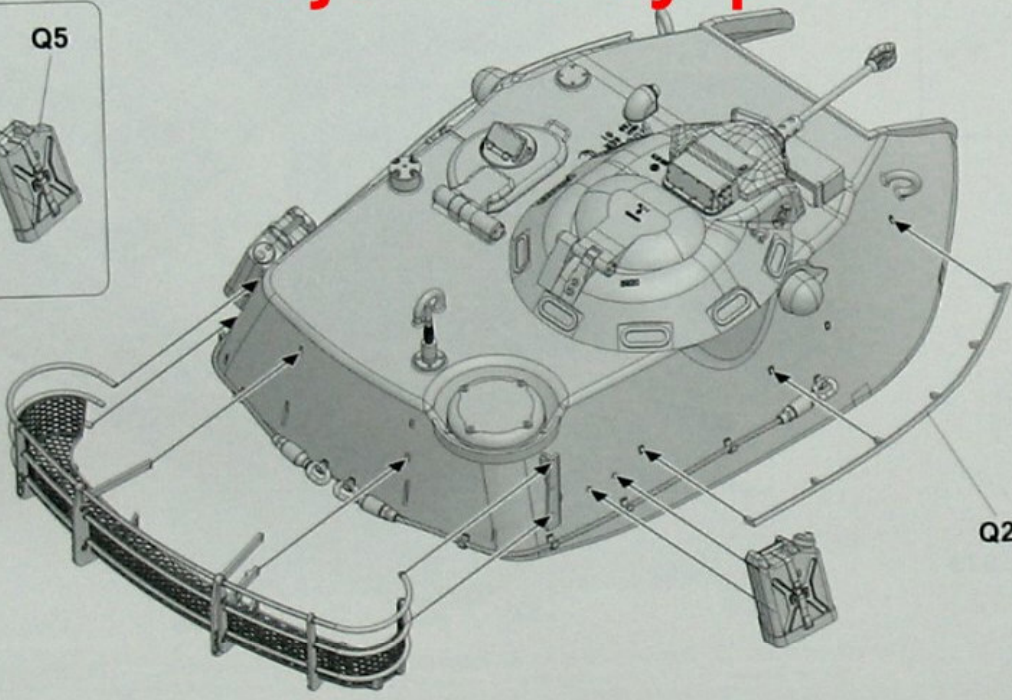
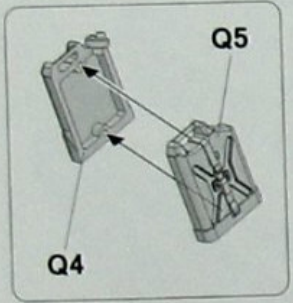
www.mojehobby.pl www.super-hobby.com



www.moje hobby.pl www.super-hobby.com



www.mojehobby.pl www.super-hobby.com



Painting and Marking Guide

TAKOM Ref: 2132

M60A1 U.S. Army Medium Tank

U.S. Army, 1st Battalion,
72nd Armored Regiment,
2nd Infantry Division,
Republic of Korea,
December 1971



WEATHERING STEPS WITH AMMO PRODUCTS

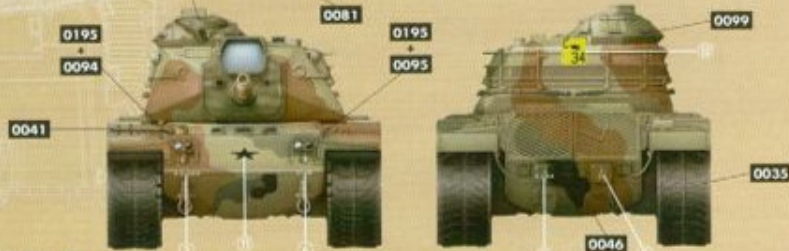
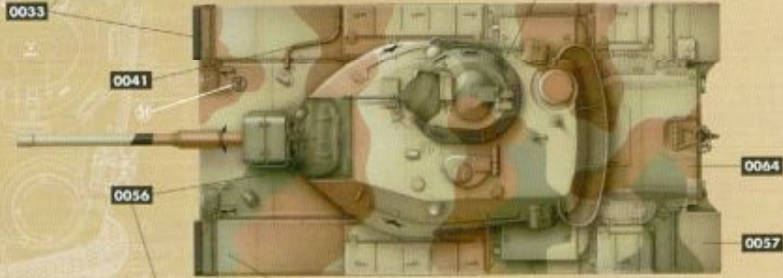
1 GENERAL WASH	2 STREAKING	3 BLENDED	4 FINI
A.MIG-1005 Dark Brown Wash for Green Vehicles	A.MIG-1206 Dark Streaking Grime	A.MIG-1258 Streakingbrusher Dust	A.MIG-1705 Wet Mud
2 FILTER	4 TRACKS WASH	6 DIRT	8 SPLASHES
A.MIG-1507 Tin for Yellow Green	A.MIG-1002 Tracks Wash	A.MIG-3011 Airfield Dust	A.MIG-1734 Dump Earth
			10 OIL
			A.MIG-1408 Fresh Engine Oil

Painting and Marking Guide

TAKOM Ref: 2132

M60A1 U.S. Army Medium Tank

U.S. Army, A Company, 3rd Battalion,
64th Armored Regiment,
3rd Armored Division, Schweinfurt,
Federal Republic of Germany,
Summer 1974



WEATHERING STEPS WITH AMMO PRODUCTS

1 GENERAL WASH	2 STREAKING	3 BLENDED	4 FINI
A.MIG-1000 Brown Wash for Dark Yellow	A.MIG-1253 Streakingbrusher Grime	A.MIG-1208 Flairmarks Effects	A.MIG-1703 Moist Ground
2 FILTER	4 TRACKS WASH	6 DIRT	8 SPLASHES
A.MIG-1510 Tin for 3 Tone Case	A.MIG-1002 Tracks Wash	A.MIG-3012 Sand	A.MIG-1752 Loose Ground
			10 OIL
			A.MIG-1408 Fresh Engine Oil



M60A1

U.S. Army Medium Tank



Painting and Marking Guide

TAKOM Ref: 2132

M60A1 U.S. Army Medium Tank

 U.S. Army, D Company, 1st Squadron,
 11th Armored Cavalry Regiment, Fulda,
 Federal Republic of Germany,
 Summer 1976

WEATHERING STEPS WITH AMMO PRODUCTS

1 GENERAL WASH A.MG-1000 Brown Wash for Dark Yellow	3 STREAMING A.MG-1203 Streaking Grime	5 RAINMARKS A.MG-1258 Streaking/brusher Dirt	7 MUD A.MG-1702 Turned Earth	9 FUEL A.MG-1409 Fuel Stains
2 FILTER A.MG-1510 Tan for 3 Tone Camo	4 TRACKS WASH A.MG-1002 Tracks Wash	6 DIRT A.MG-3013 Rubble	8 SPLASHES A.MG-1751 Dry Sloppes	10 OIL A.MG-1408 Fresh Engine Oil



M60A1

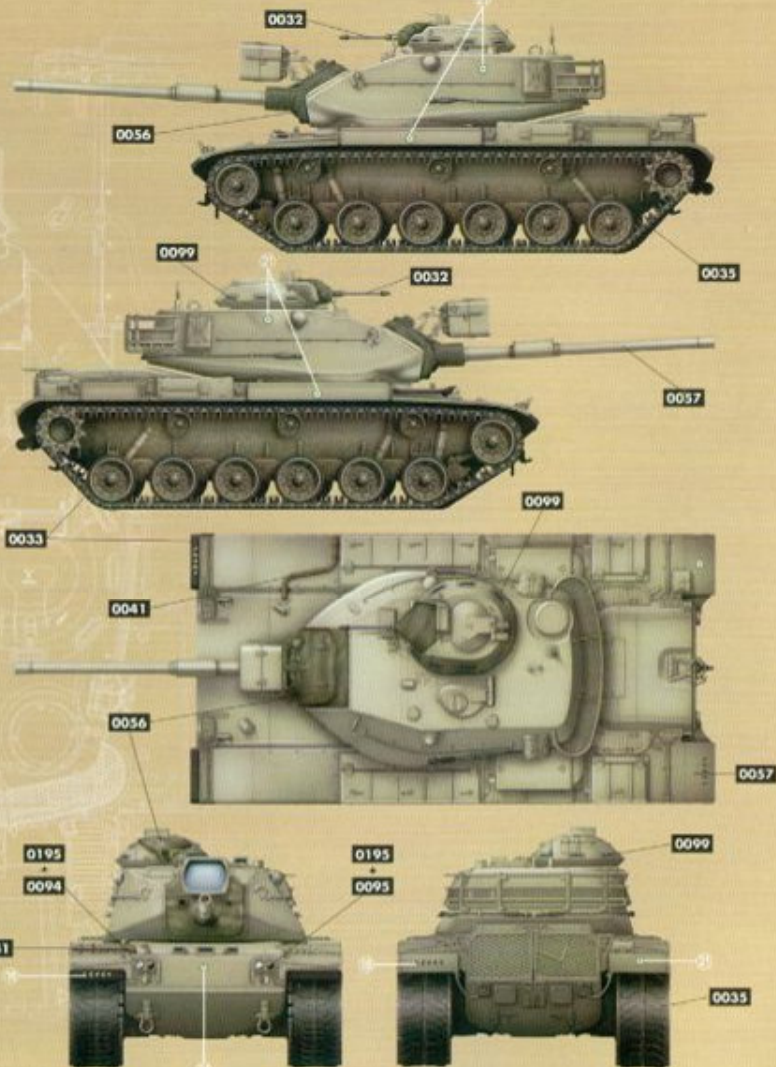
U.S. Army Medium Tank



Painting and Marking Guide

TAKOM Ref: 2132

M60A1 U.S. Army Medium Tank

 Iranian Army, 231st Tank Battalion,
 1st Armored Brigade,
 92nd Armored Division,
 Battle of Khazemah,
 September 1980

WEATHERING STEPS WITH AMMO PRODUCTS

1 GENERAL WASH A.MG-1007 U.S. Modern Vehicles Wash	3 STREAMING A.MG-1251 Streaking/brusher Cold Dirty Grey	5 RAINMARKS A.MG-1208 Rainmarks Effects	7 MUD A.MG-1701 Thick Silt	9 FUEL A.MG-1409 Fuel Stains
2 FILTER A.MG-1505 Grey for Yellow Sand	4 TRACKS WASH A.MG-1002 Tracks Wash	6 DIRT A.MG-3018 Middle East Dirt	8 SPLASHES A.MG-1750 Dry Earth	10 OIL A.MG-1408 Fresh Engine Oil

03.03.2132



M60A1

U.S. Army Medium Tank



by MIG Jimenez
www.migjimenez.com

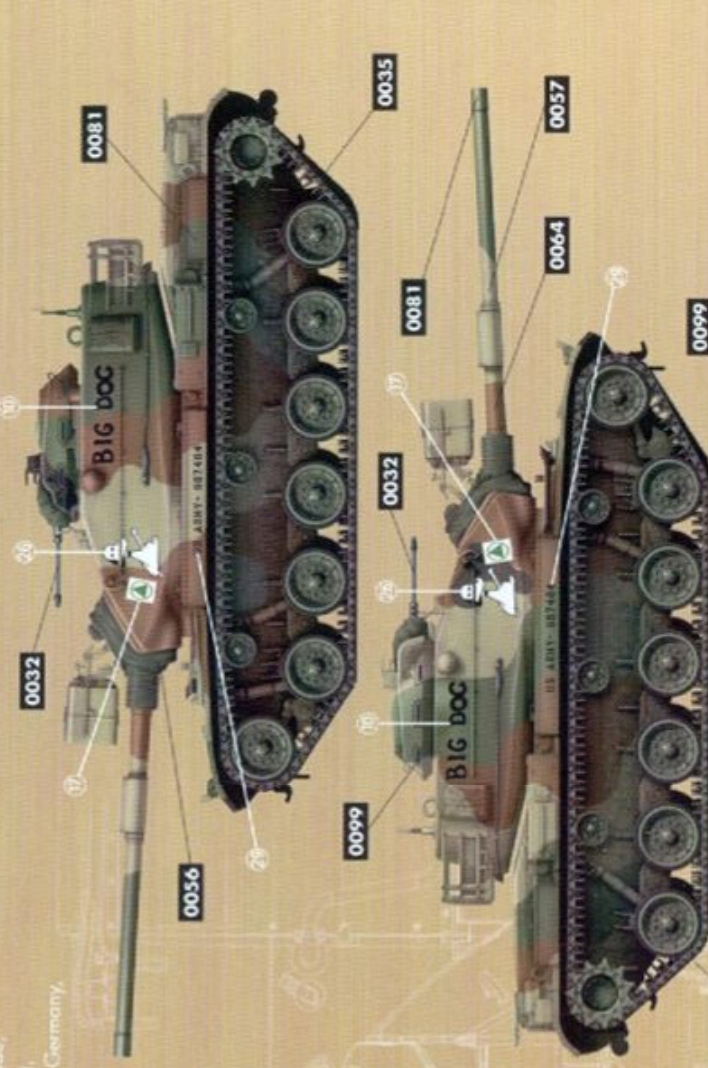
Painting and Marking Guide

TAKOM Ref: 2132

M60A1 U.S. Army Medium Tank

U.S. Army, B Company, 4th Battalion,
73rd Armored Regiment, 3rd Brigade,
1st (US) Infantry Division (Forward),
Donauschwefel, Federal Republic of Germany,
REFORGER 1976 latest team

A.MIG-0035 Dark Tan	A.MIG-0041 Dark Mud	A.MIG-0032 Dark Black	A.MIG-0195 Silver	A.MIG-0094 Crystal Clear
A.MIG-0095 Crystal Smoke	A.MIG-0099 Crystal Black Blue	A.MIG-0056 Green Black	A.MIG-0033 Rubber & Tire	A.MIG-0031 U.S. Dismal Blue
A.MIG-0064 Earth Brown	A.MIG-0017 Medium Gray	A.MIG-0046 Milk Brown		



WEATHERING STEPS WITH AMMO PRODUCTS

1 GENERAL WASH Brown Wash for A.MIG-1000 Dark Yellow	3 STREAKING A.MIG-1203 Streaky Grime	5 DAIMMARKS A.MIG-1258 Streakingbrusher Dust	9 FUEL A.MIG-1408 Fuel Stains
2 FILTER A.MIG-1510 Tan for 3 Tone Camo	4 TRACKS WASH A.MIG-1002 Tracks Wash	6 DUST A.MIG-3004 Europe Earth	10 OIL A.MIG-1408 Fresh Engine Oil
		7 MUD A.MIG-1704 Heavy Earth	
		8 SPLASHES A.MIG-1793 Turned Dirt	