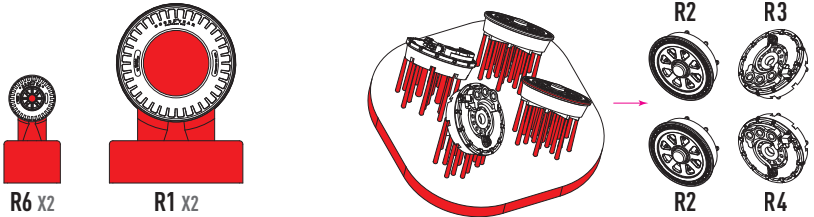
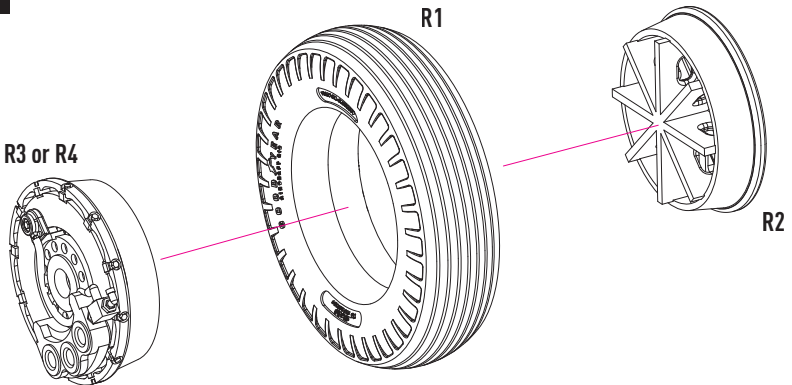


### CUT

USE A SAW TO REMOVE SUPPORTS  
FROM 3D PRINTED PARTS



### 1



### 2

