

large numbers 00 and 01 are applied to wing flaps

GENERAL NOTES:

Interior of wheel well, landing gear struts, interior of doors, interior of intakes and missiles are gloss white. interior of cockpit is dark gull gray. An excellent source book of details is,

THE F-14 TOMCAT  
IN  
DETAIL & SCALE

by Bert Kinzey. Additional good general reference material we recommend are:

Kuku-Fan Magazine, various issues  
Famous Aircraft of the World Series  
Numbers 83 and 89.  
F-14 Tomcat in Action by Squadron Signal Publications

# FOWLER AVIATION



P.O. BOX 148  
SUNNYMEAD  
CA. 92388

48 SCALE  
FD4806

THESE DECALS ARE DESIGNED TO FIT THE MONOGRAM KIT OF THE F-14 TOMCAT. THEY MAY BE USED ON THE REVELL OR FUJIMI TOMCAT MODELS WITH MINOR MODIFICATIONS.

WE WISH TO THANK EDWARD BOLL, PHILLIP HUSTON AND THE OFFICERS AND MEN OF FIGHTER SQUADRON ONE HUNDRED ELEVEN.



GULL GRAY



DARK GULL GRAY

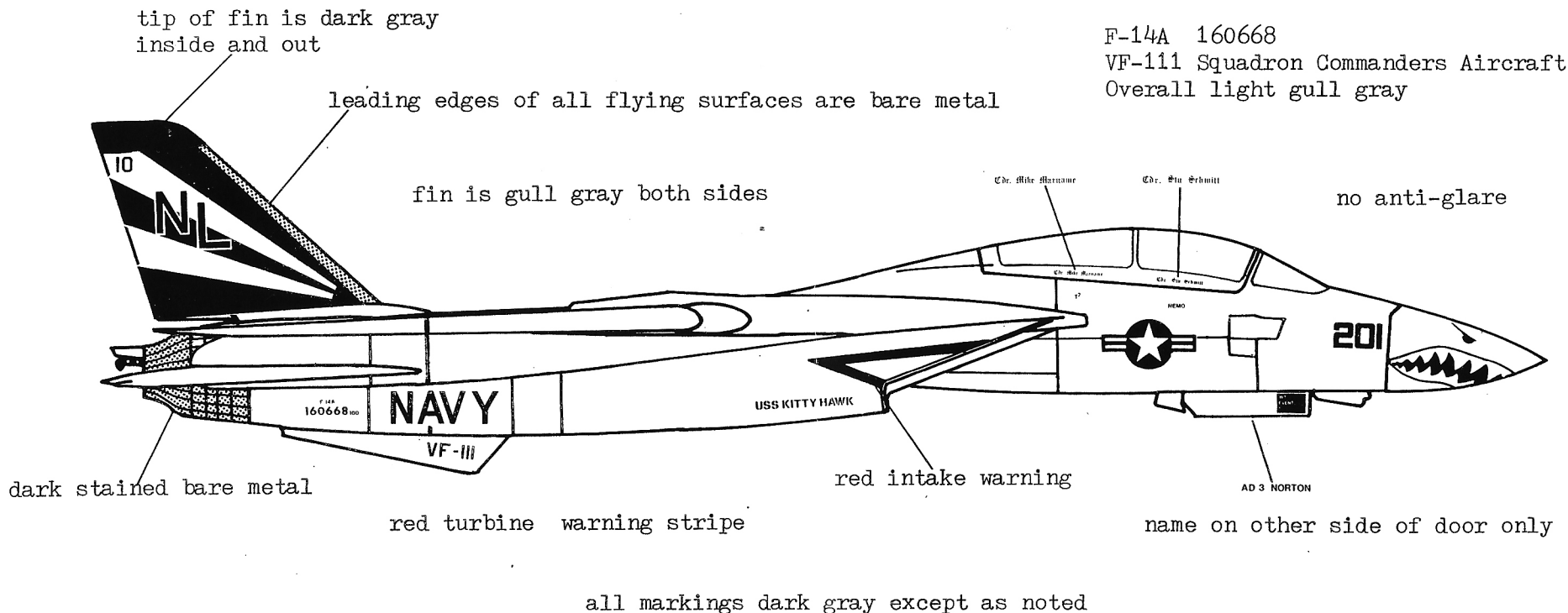
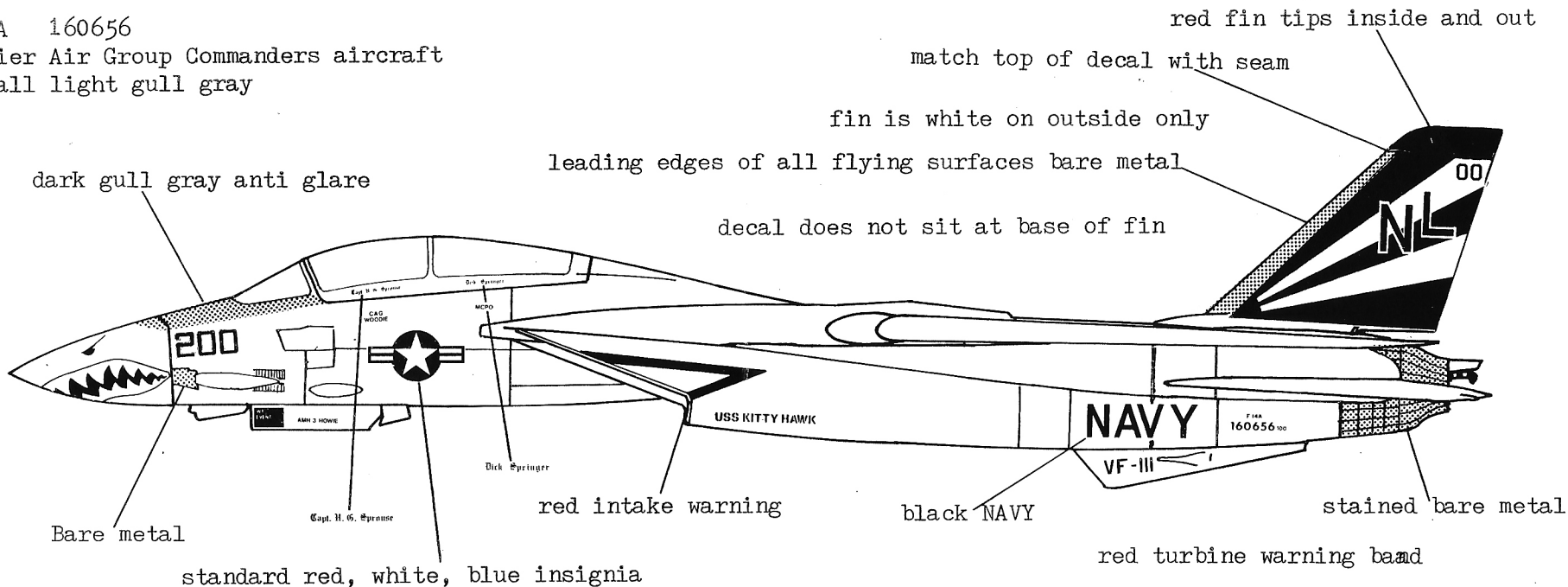


DARK GRAY



RED

F-14A 160656  
 Carrier Air Group Commanders aircraft  
 Overall light gull gray



F-14A 160668  
 VF-111 Squadron Commanders Aircraft  
 Overall light gull gray