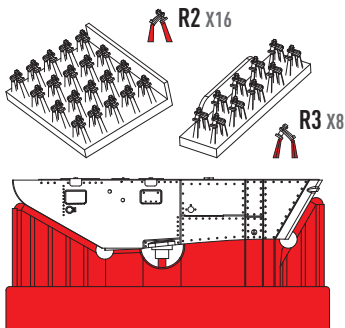
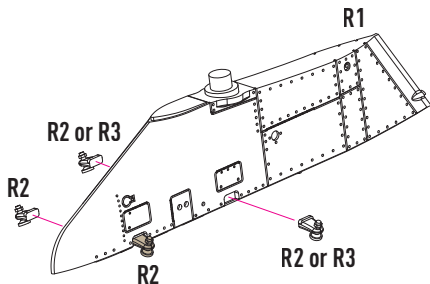


CUT

USE A SAW TO REMOVE SUPPORTS
FROM 3D PRINTED PARTS



R1 X4



USE R3 FOR BRU-3A

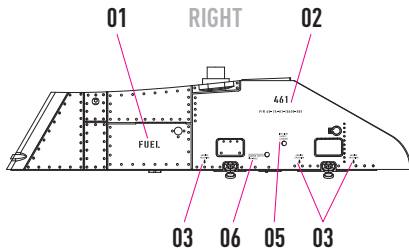
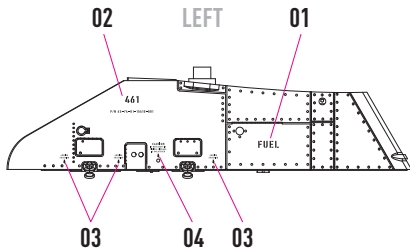


RESIN PARTS
FOR SCALE PLASTIC KITS

PIVOT PYLONS (4 PCS)

FOR F-111 A/D/E/F

DECAL INSTRUCTION **RS72-0338**



general issues: info@reskit.com.ua / claim resolution: claims@reskit.com.ua

RESKIT-MODELS.COM

fb.com/reskit.official

instagram.com/reskit_official

pinterest.com/reskit_official