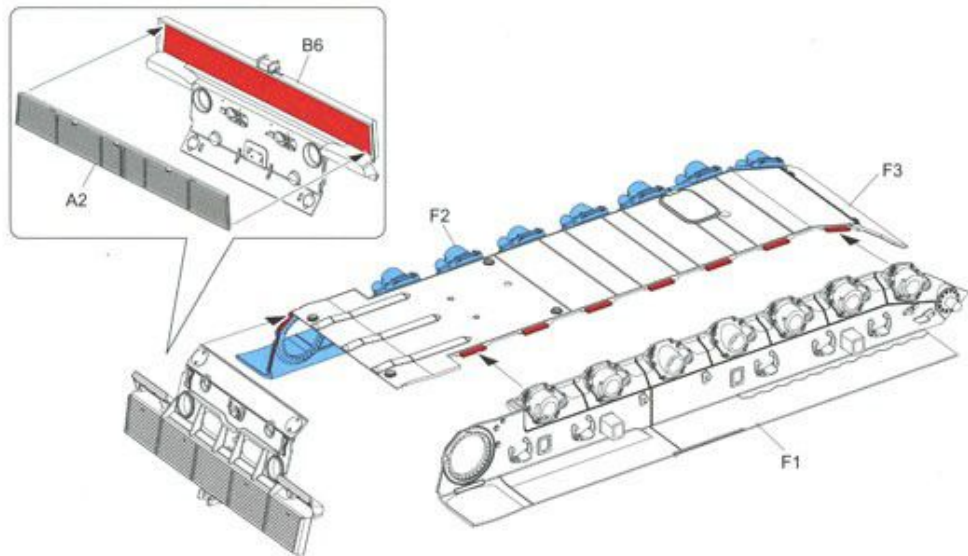
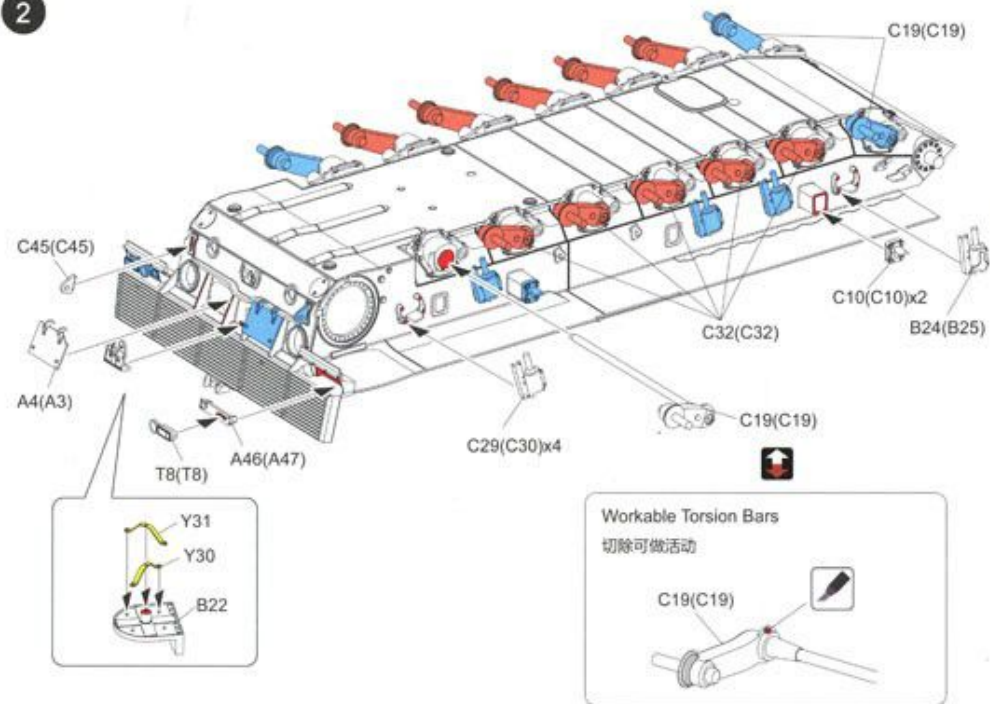


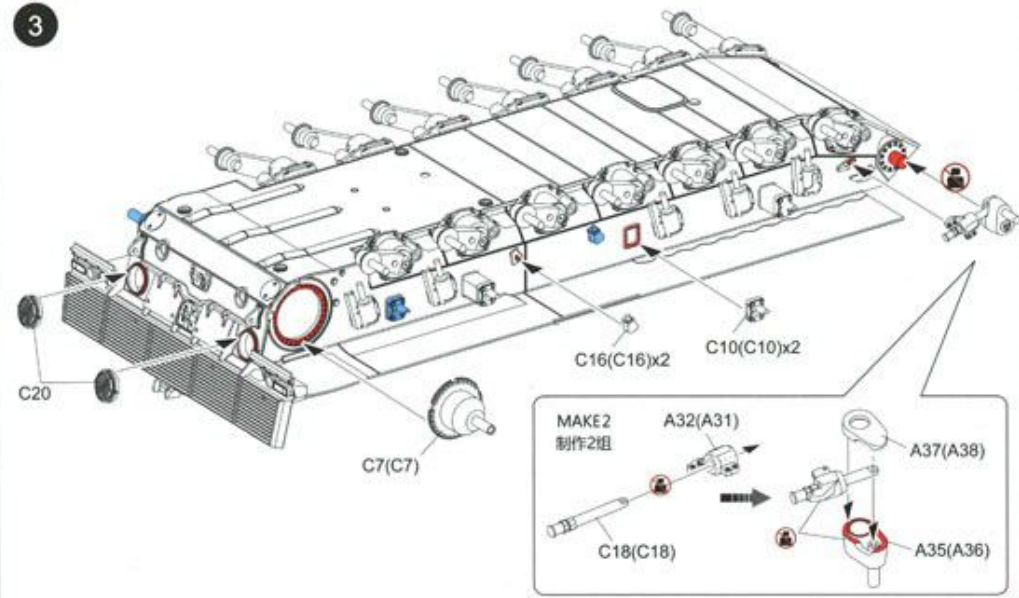
1



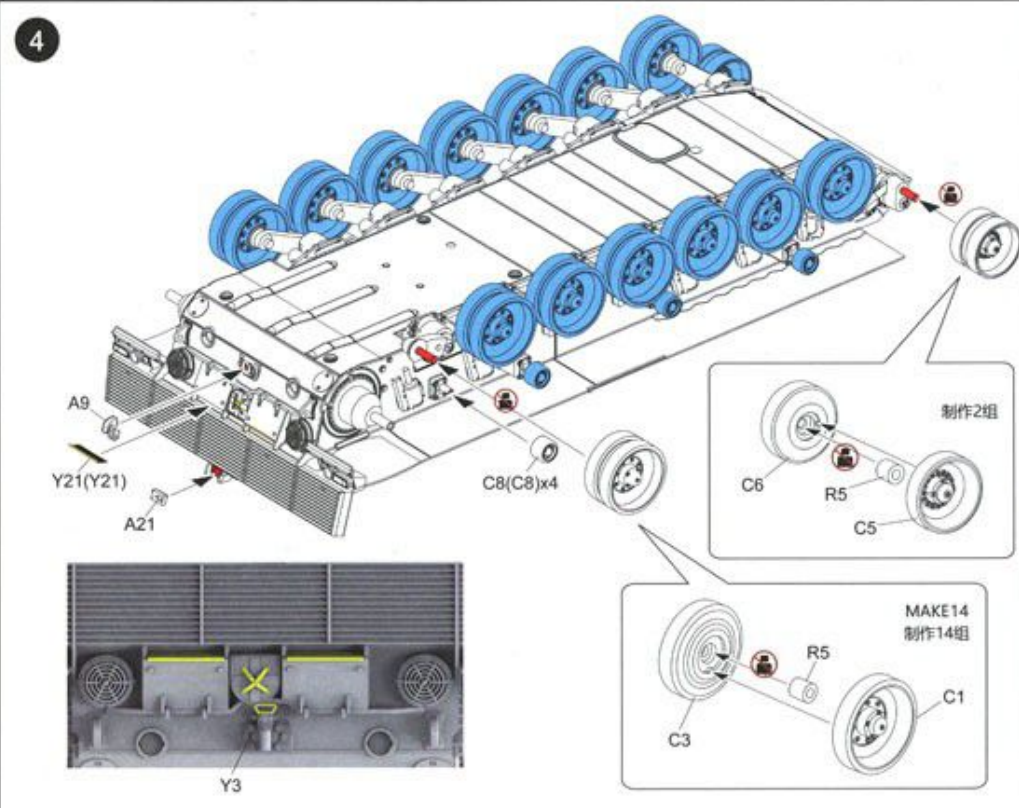
2



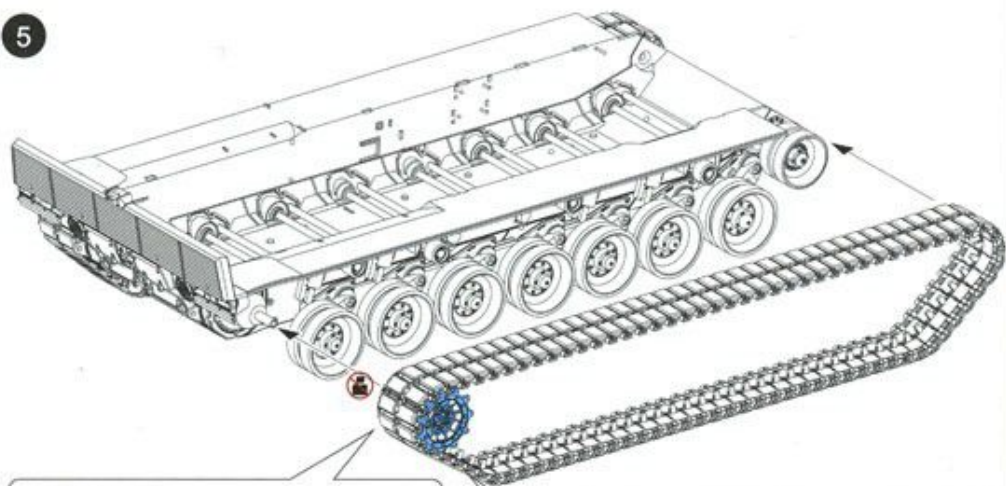
3



4



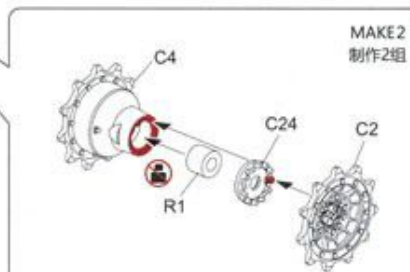
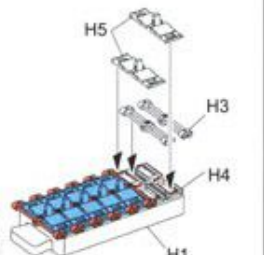
5



Track Links: 83pcs
for each side.
每侧83节

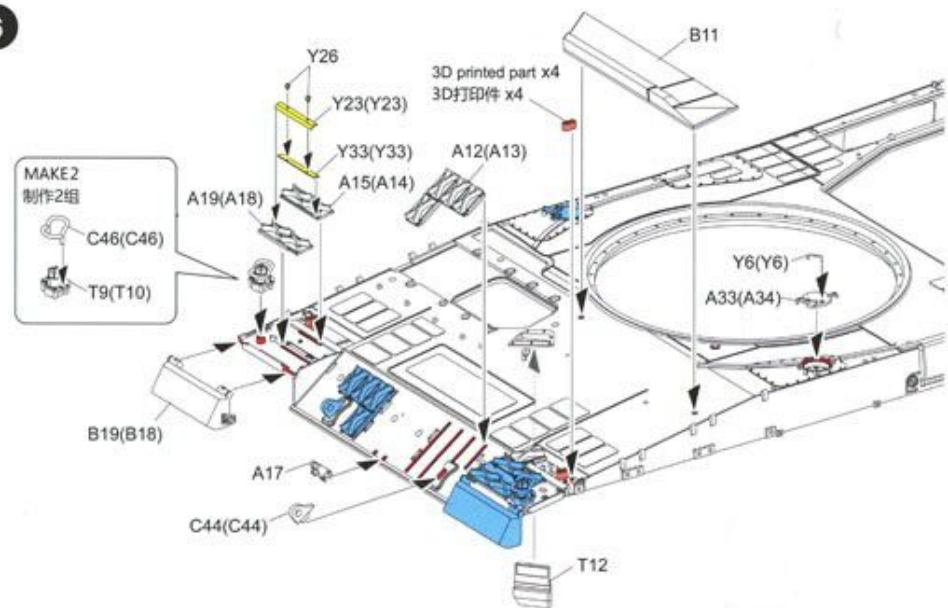
In side 内侧

Out side 外侧



MAKE 2
制作2组

6



MAKE 2
制作2组

C46(C46)
T9(T10)

3D printed part x4
3D打印件 x4

Y23(Y23)
Y33(Y33)
A15(A14)

A12(A13)

Y6(Y6)
A33(A34)

B11

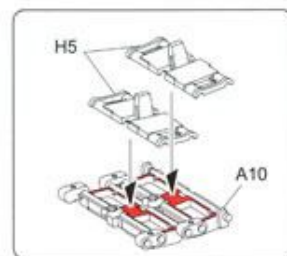
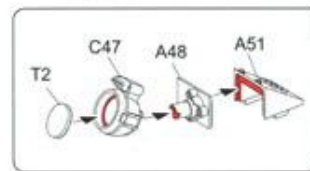
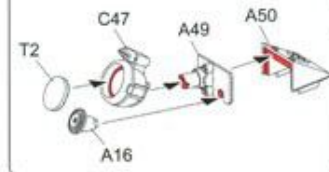
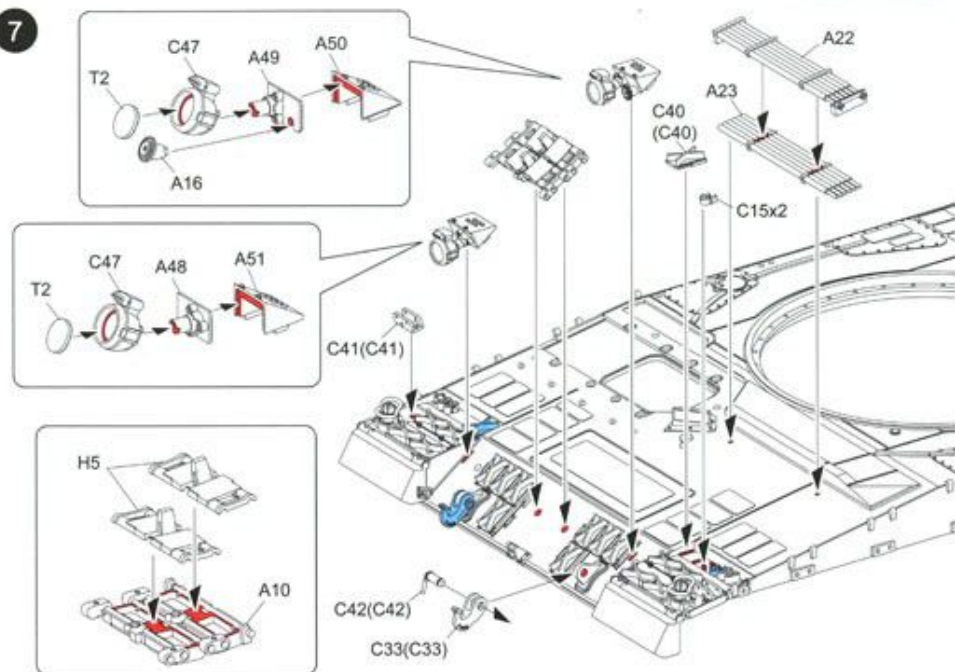
B19(B18)

A17

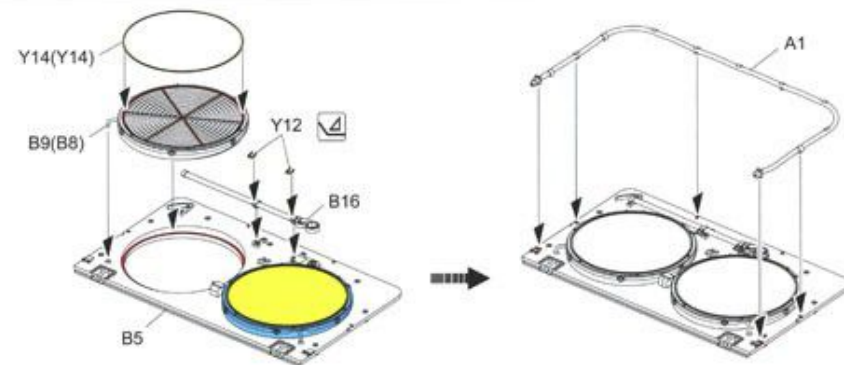
C44(C44)

T12

7



A1



Y14(Y14)

B9(B8)

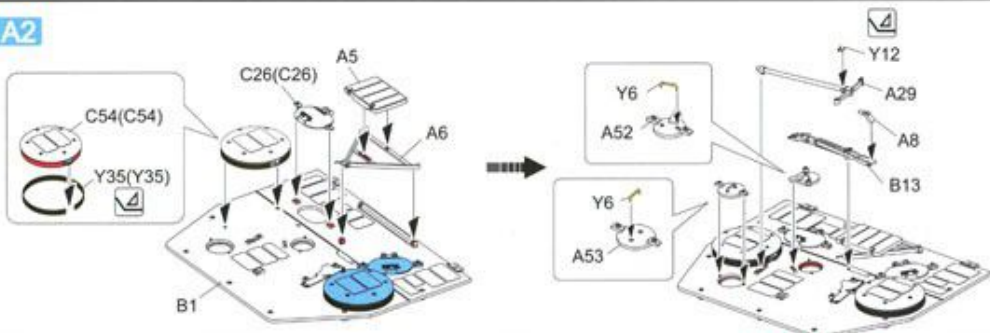
B5

Y12

B16

A1

A2



C54(C54)
Y35(Y35)

C26(C26)

A5

A6

B1

Y6

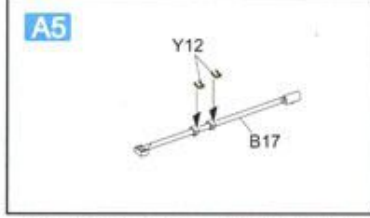
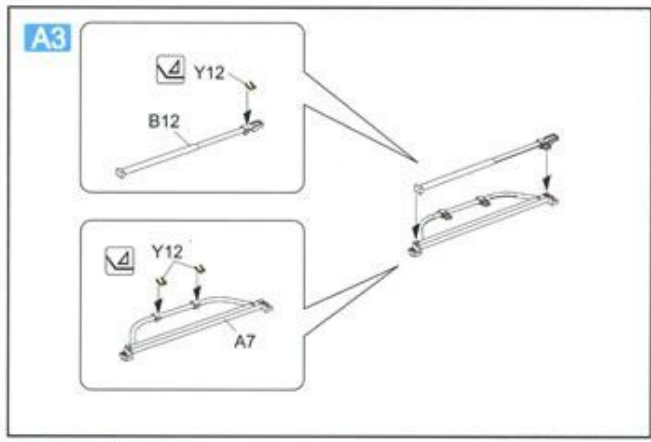
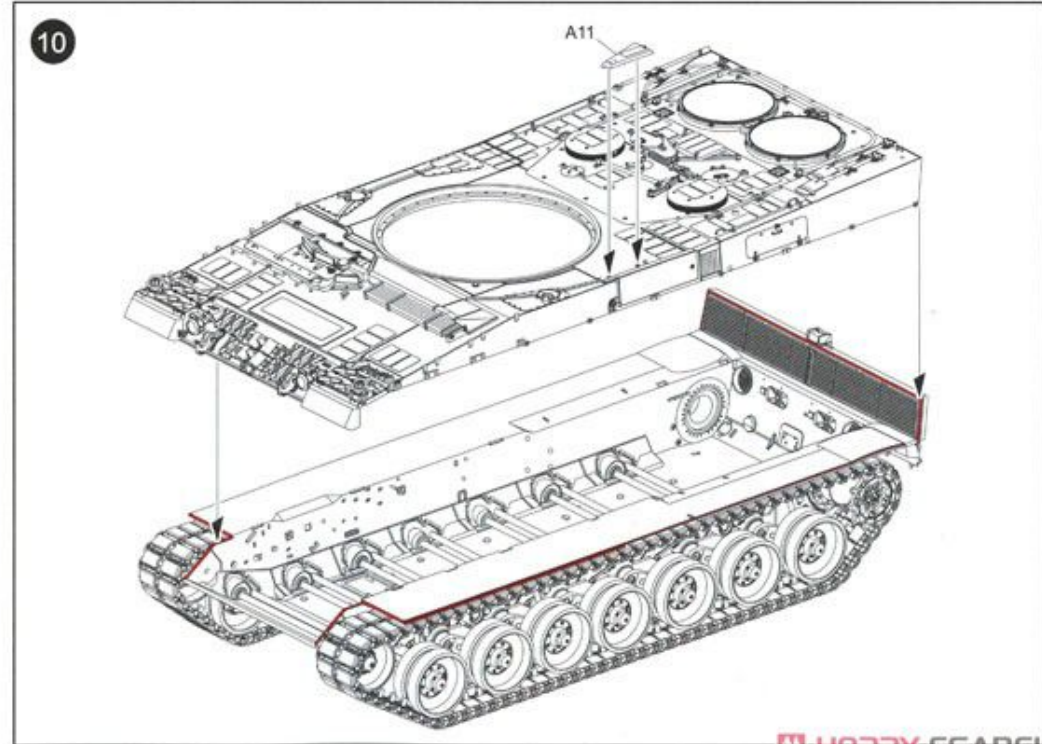
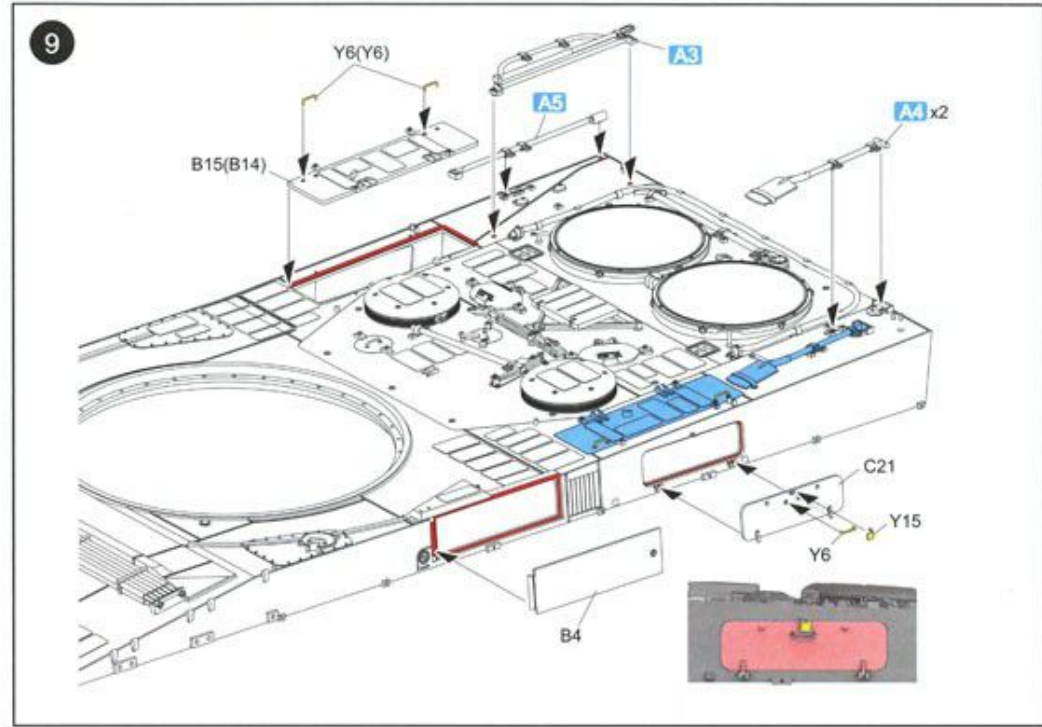
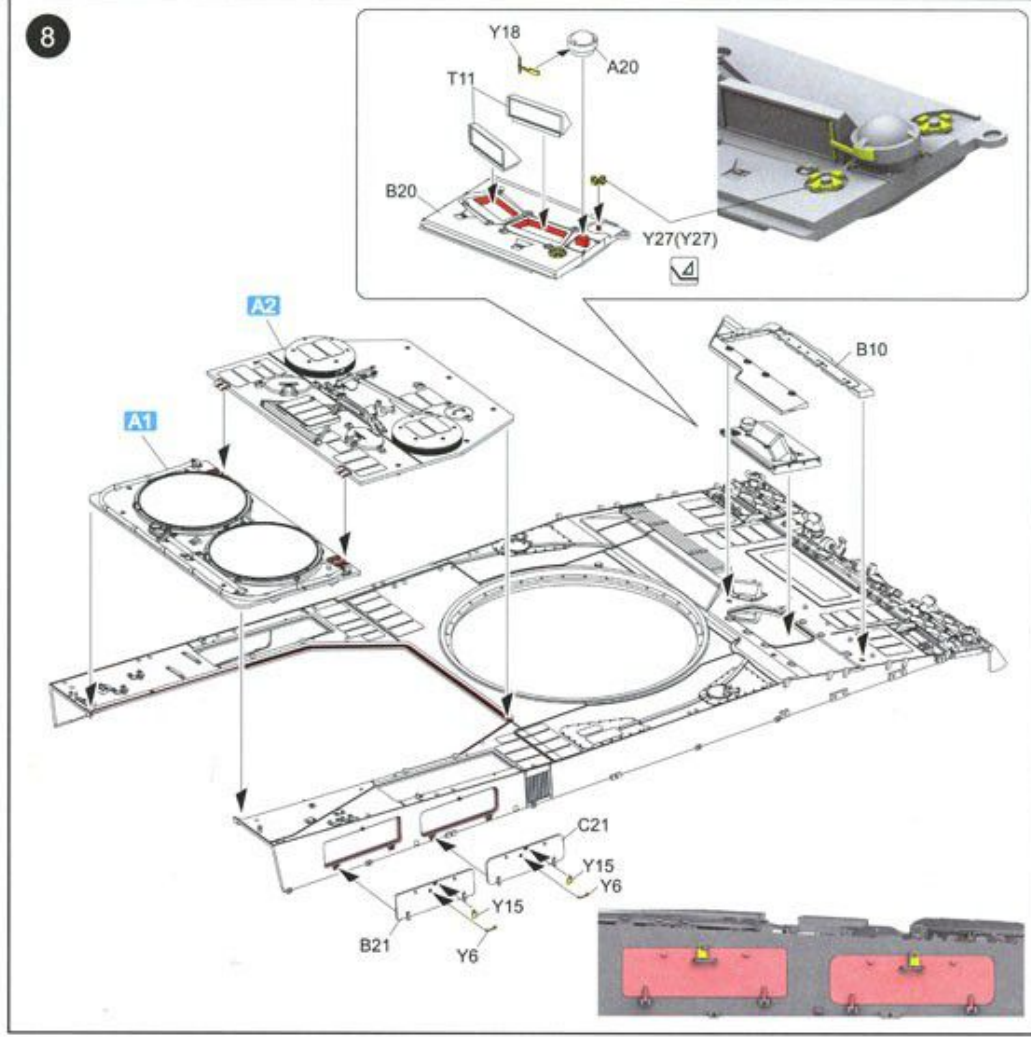
A52

A53

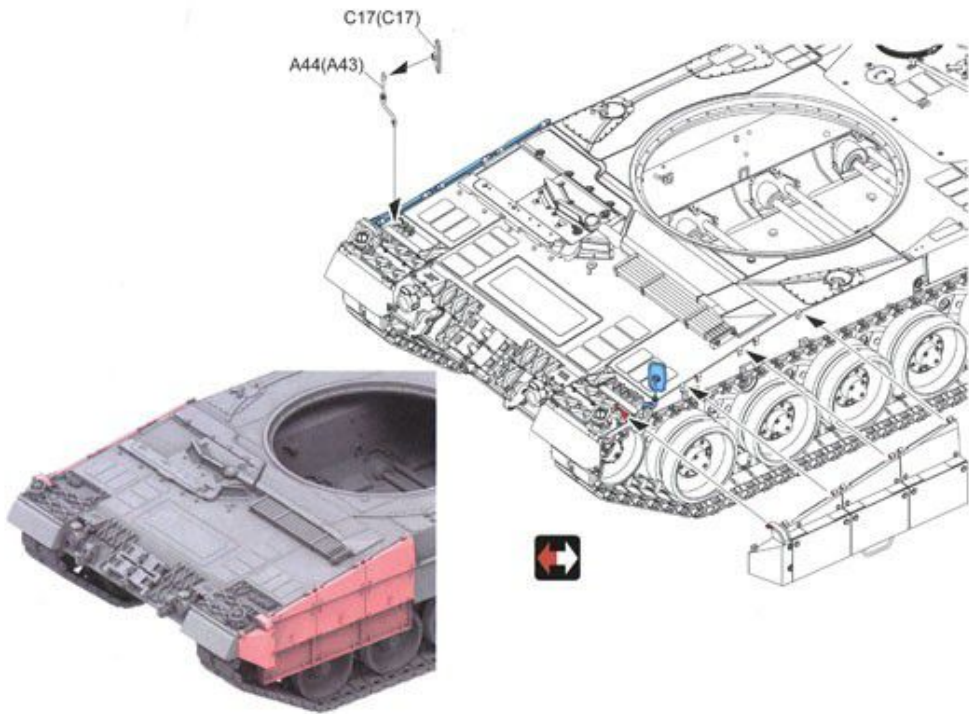
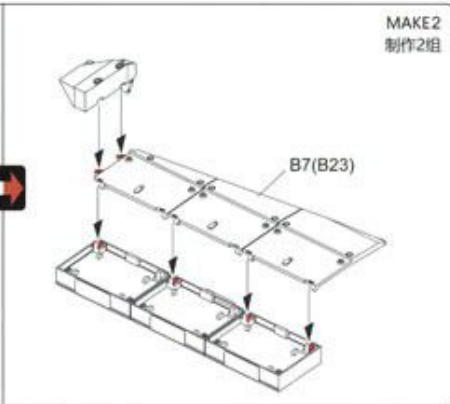
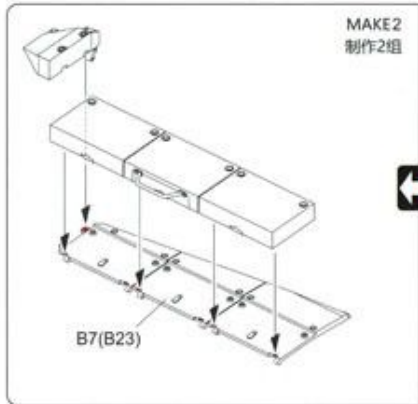
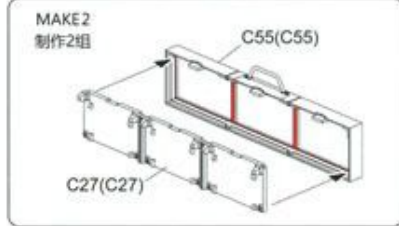
A29

A8

B13

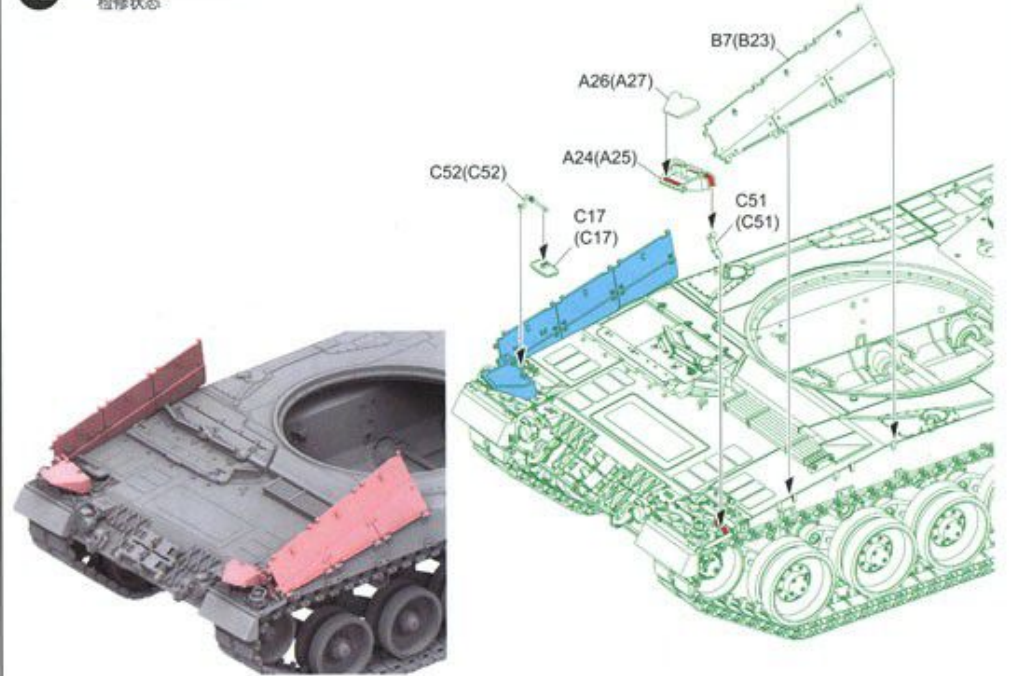


11

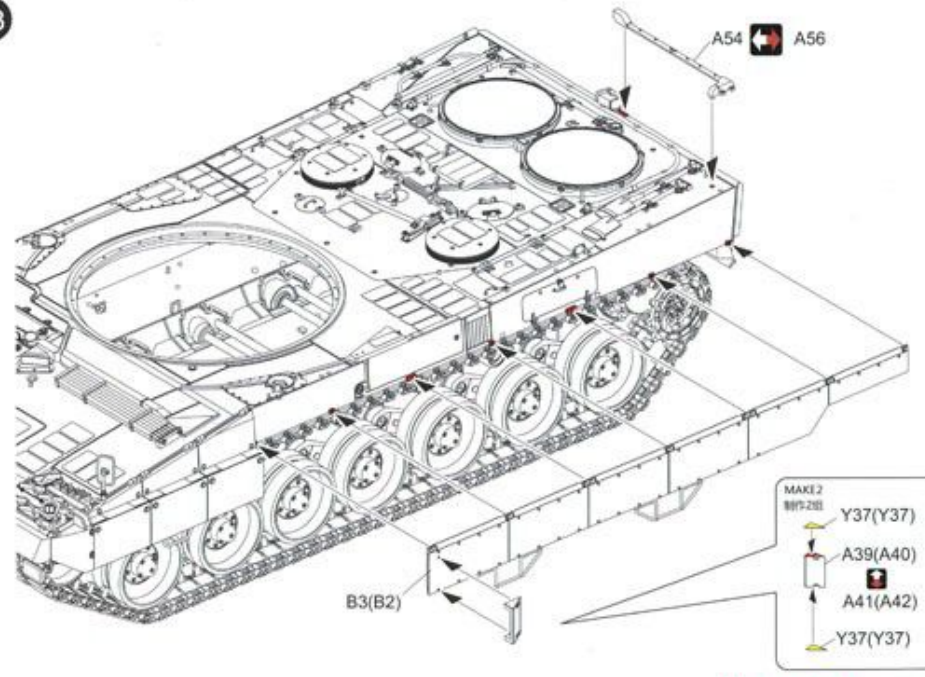


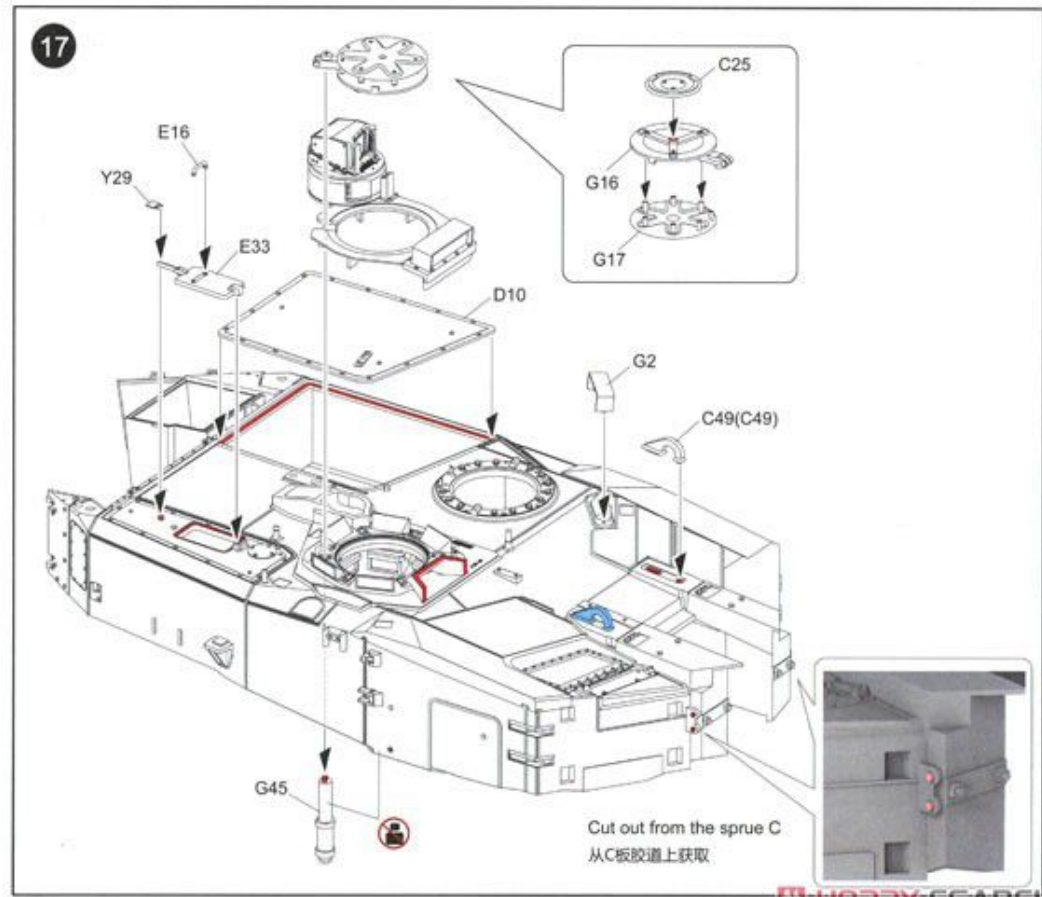
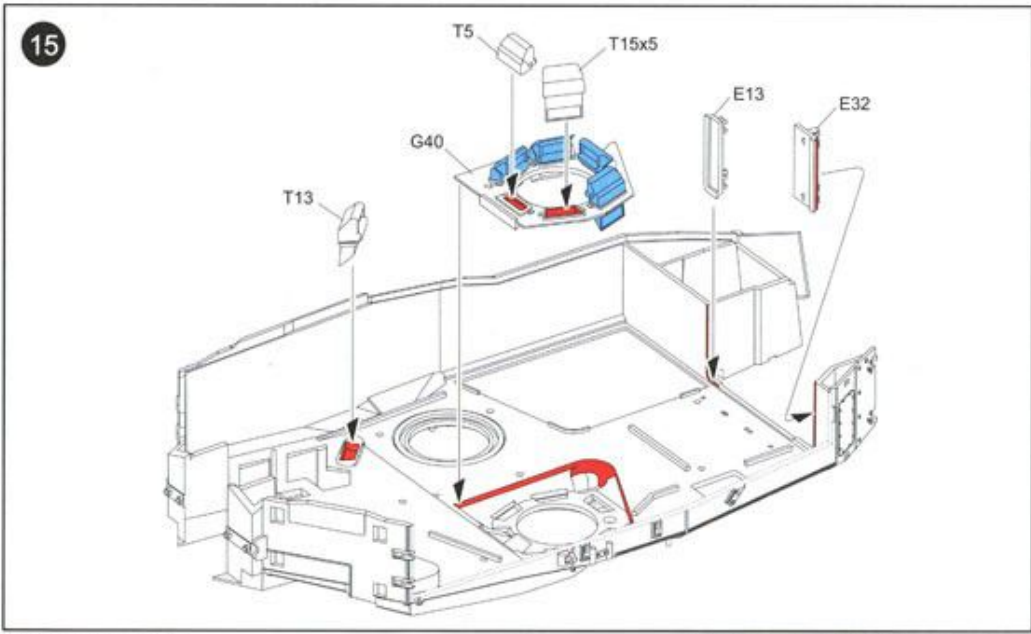
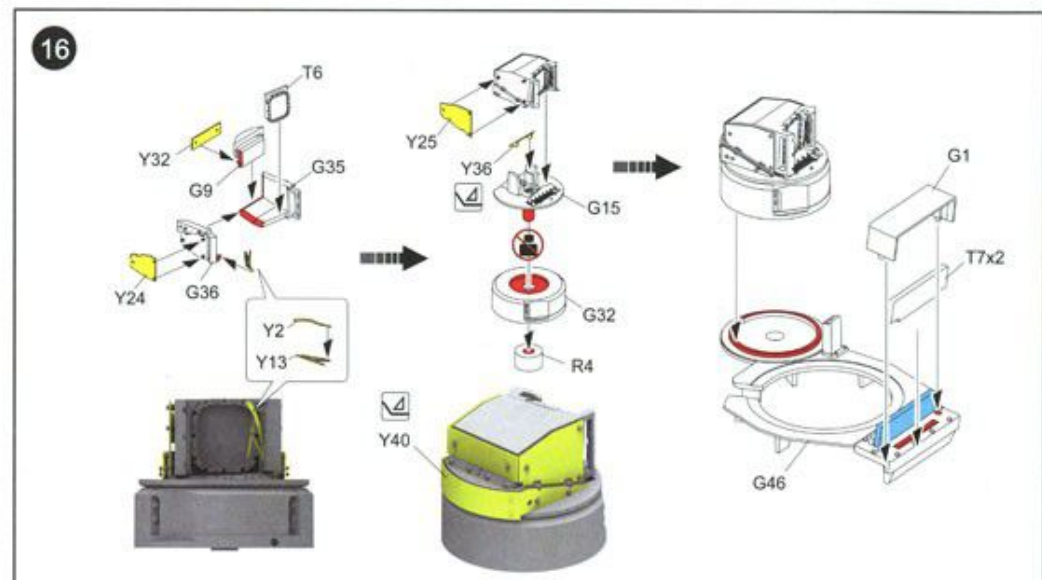
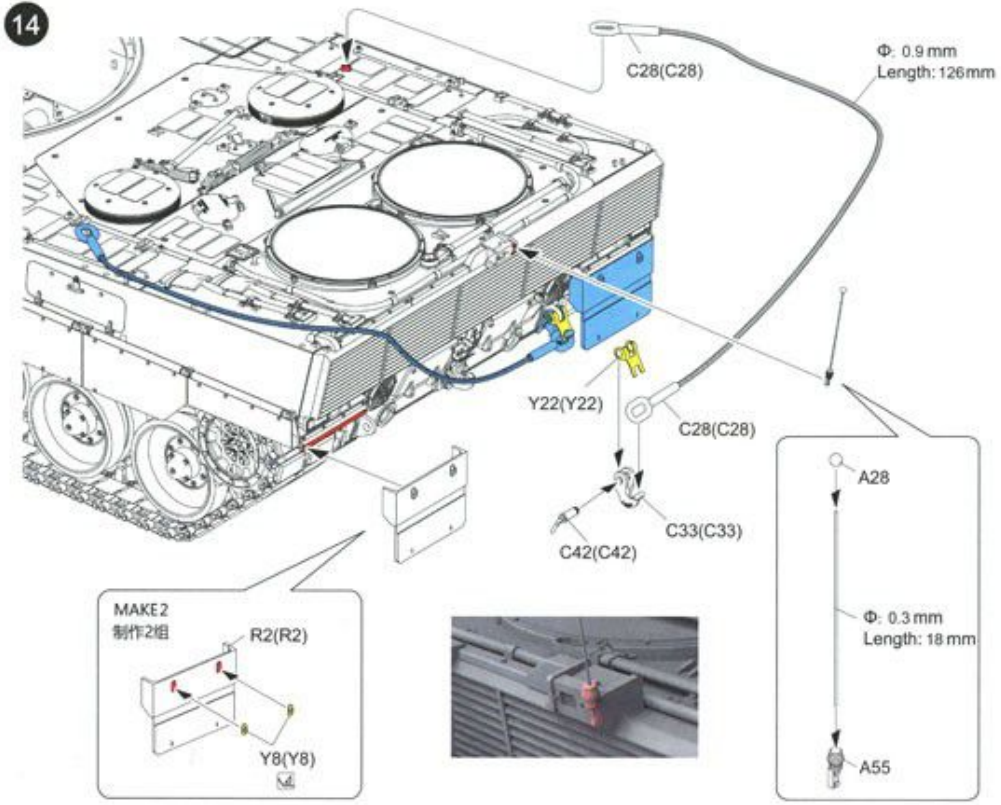
12

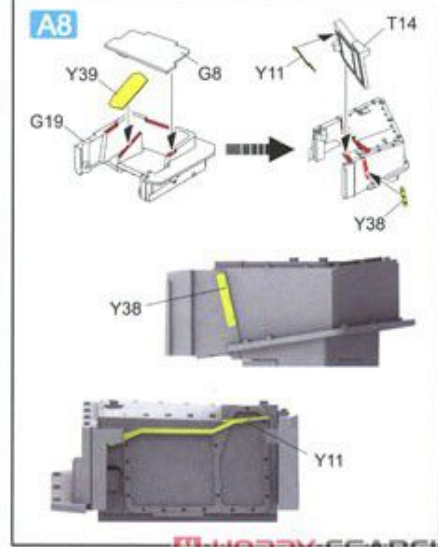
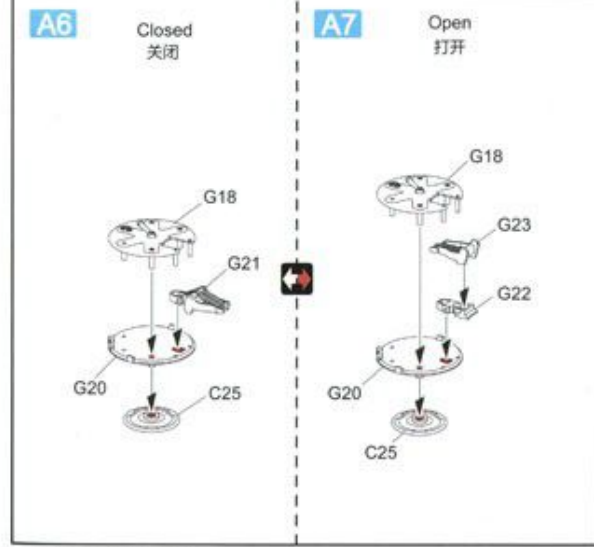
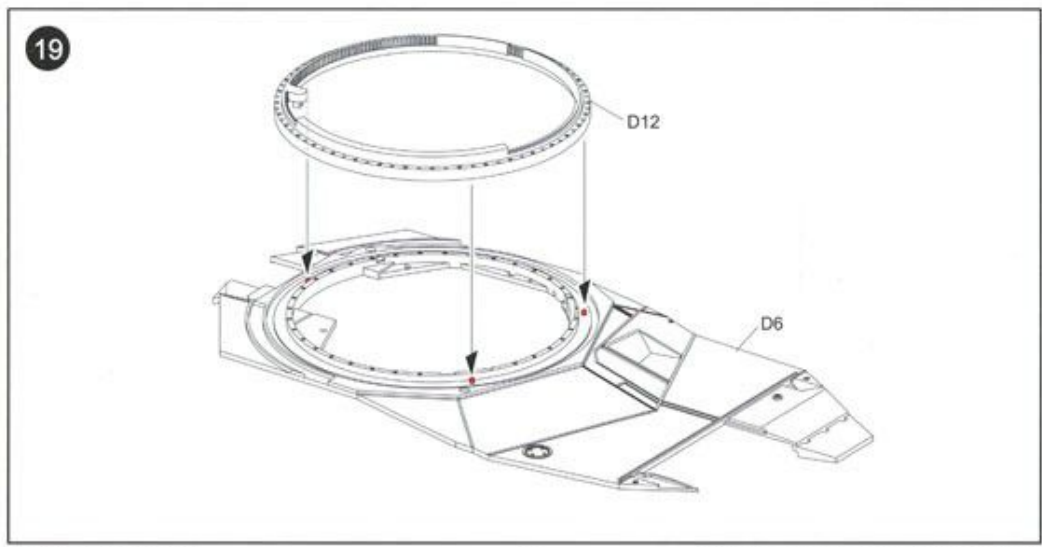
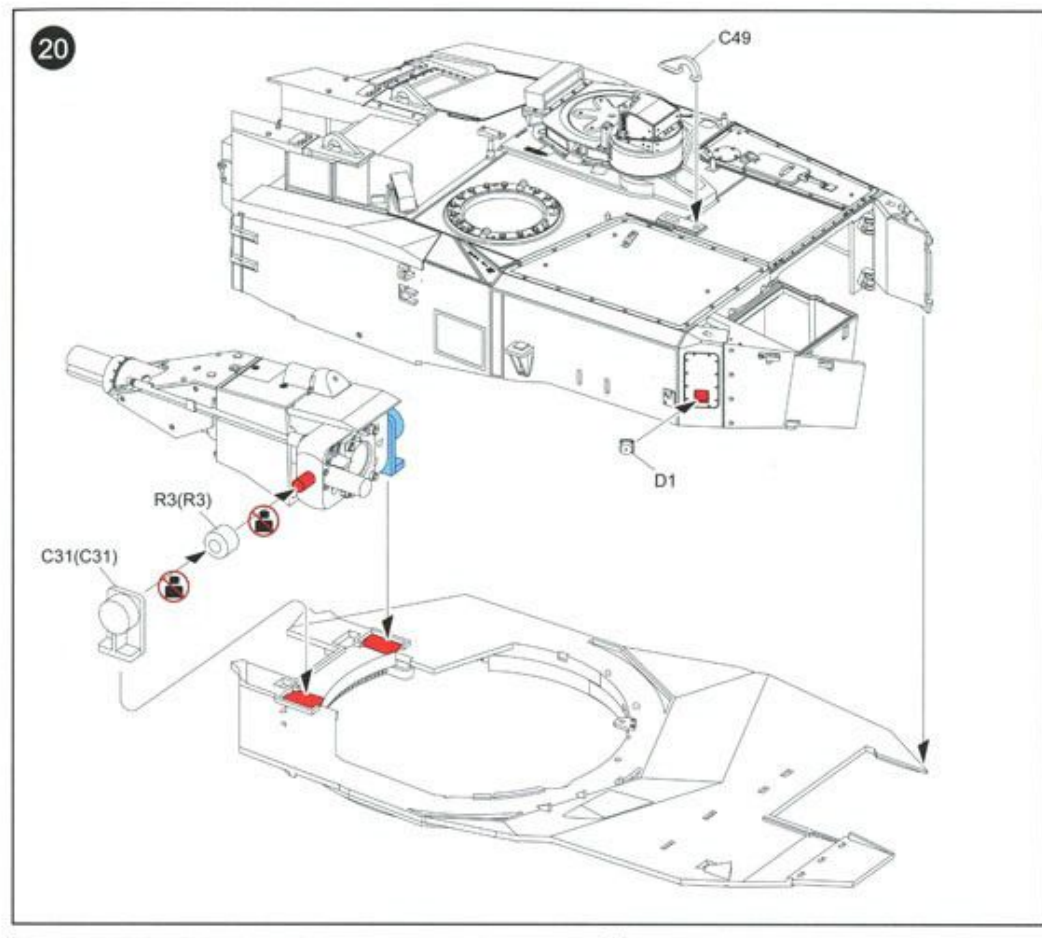
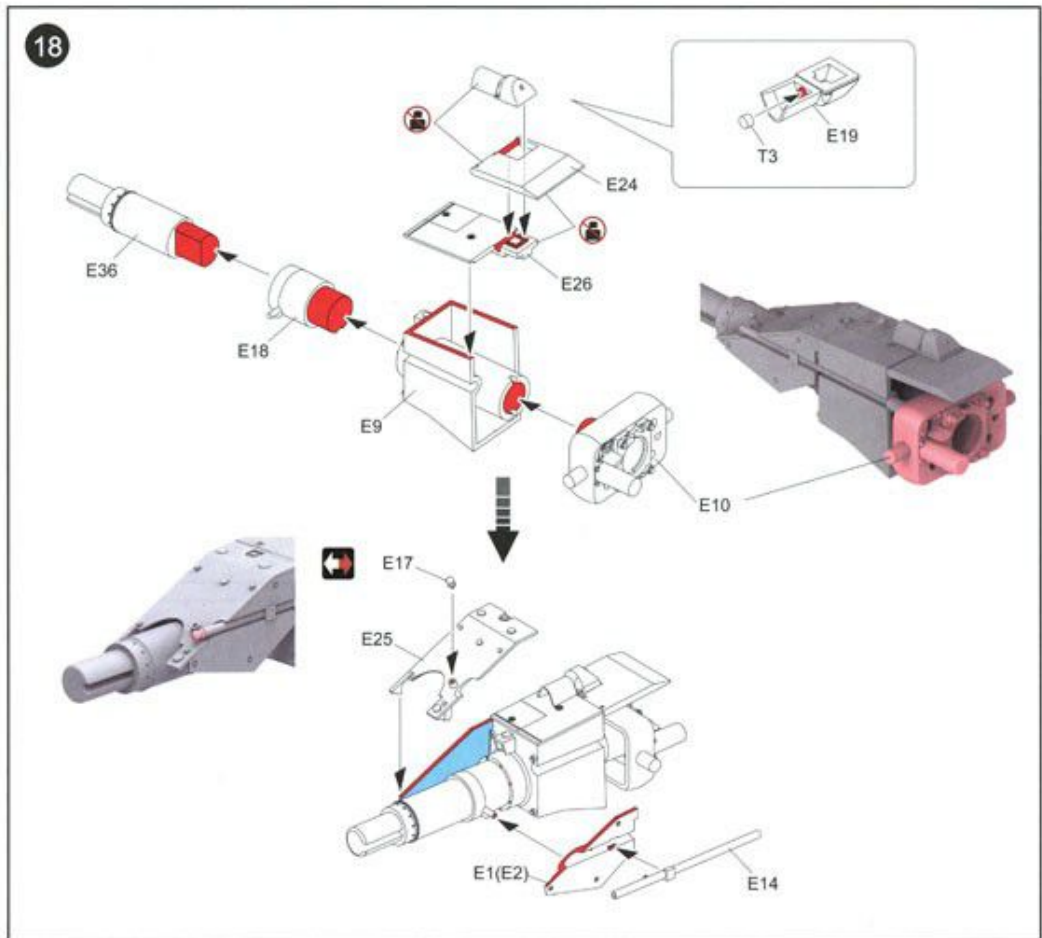
Maintenance status
检修状态



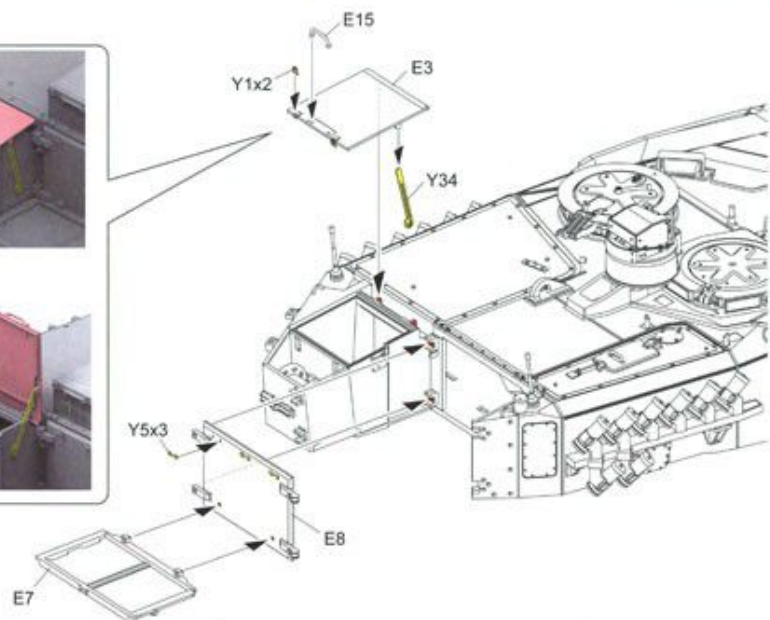
13



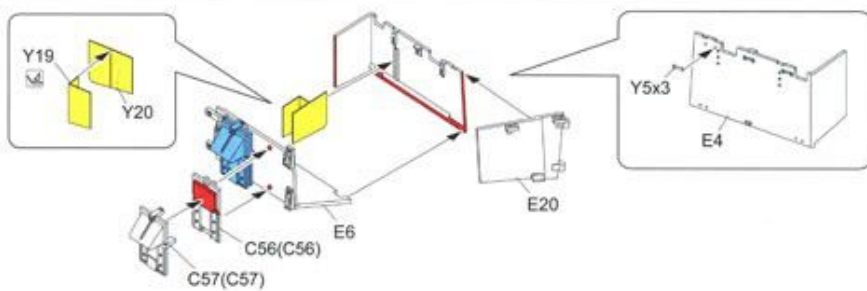




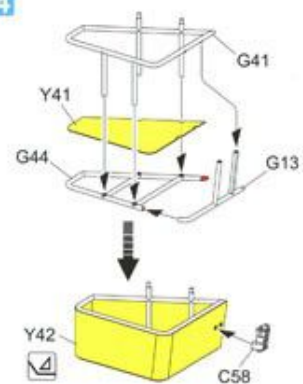
24



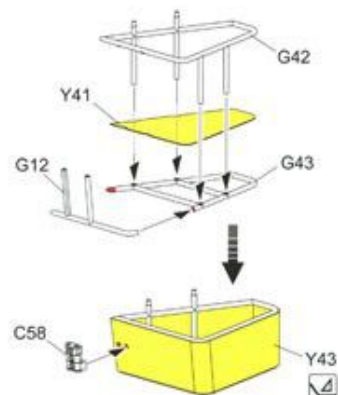
A13



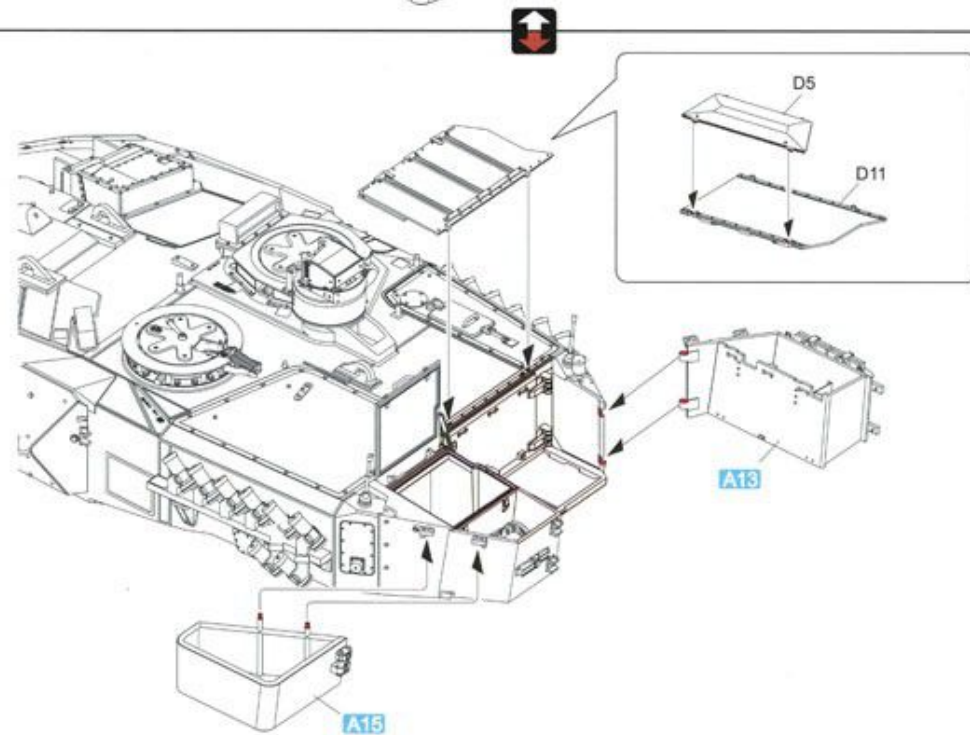
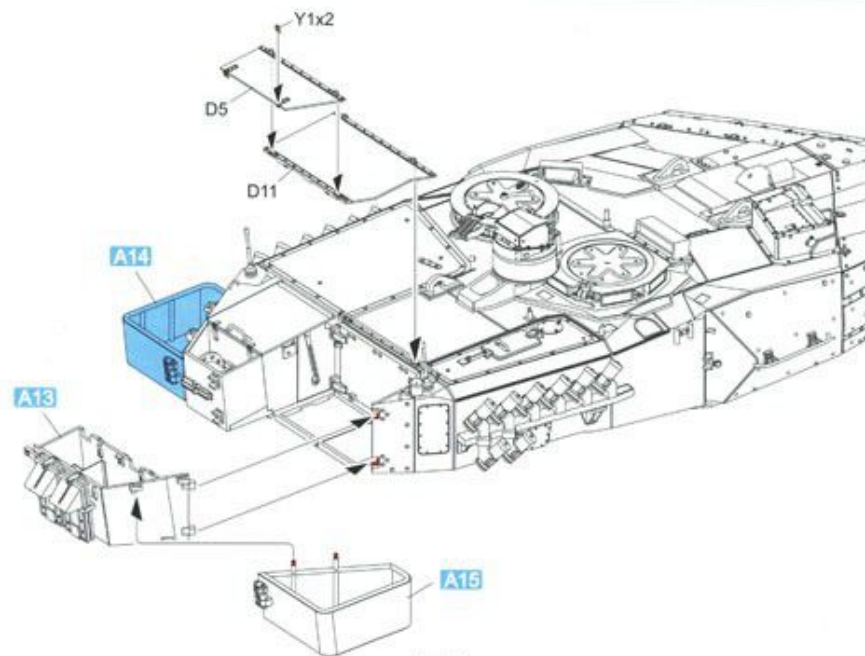
A14



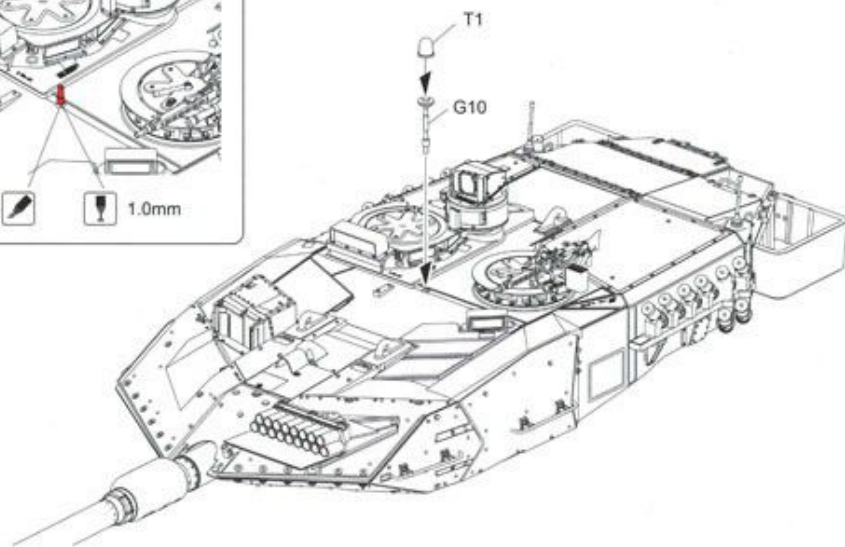
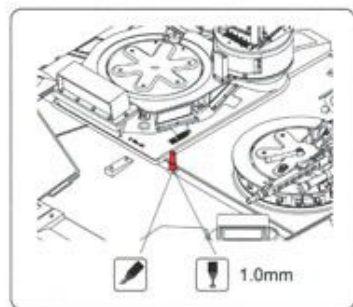
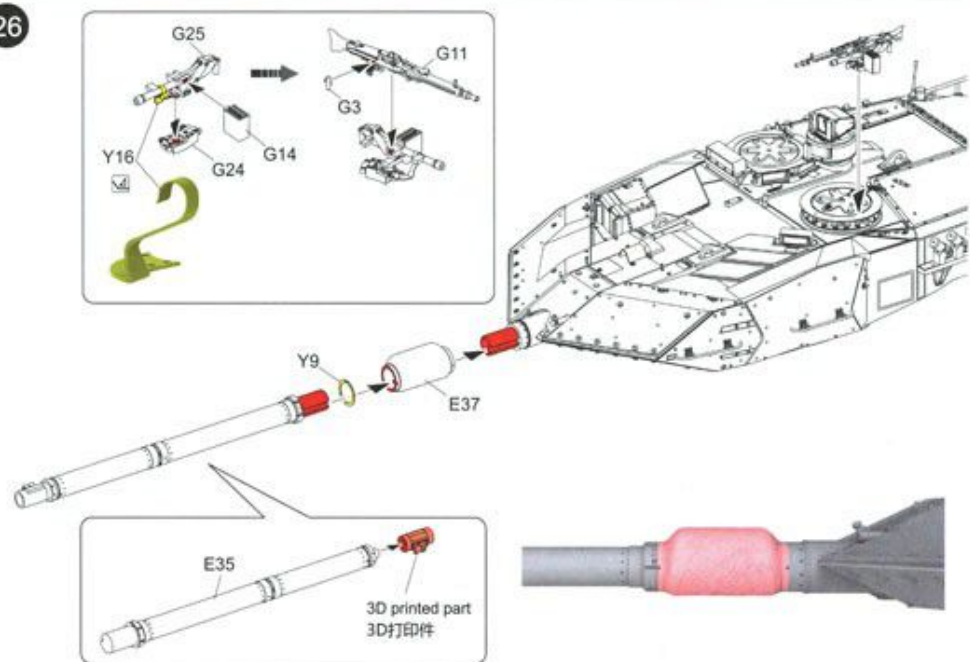
A15



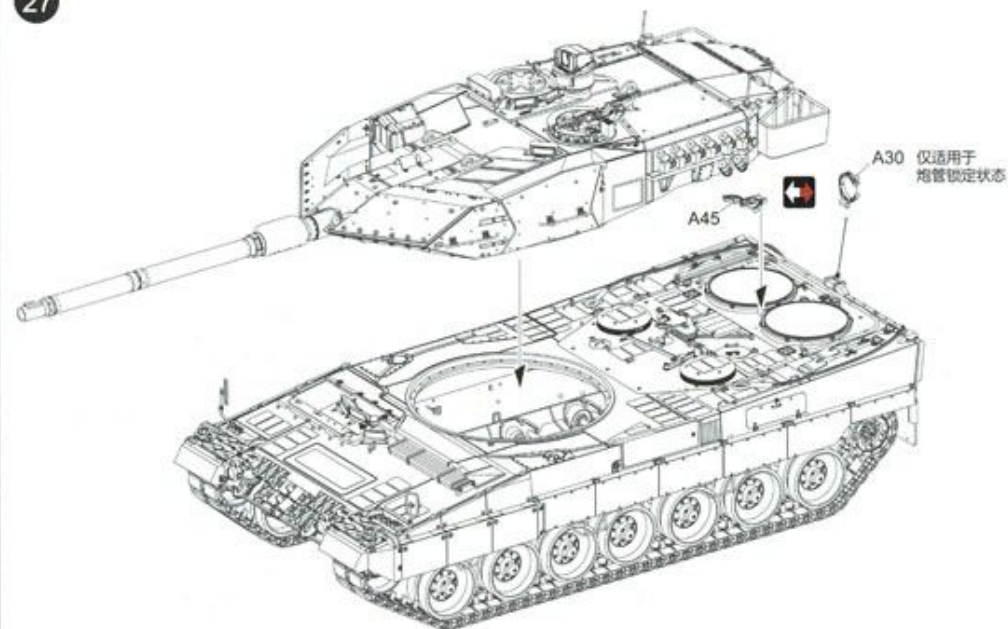
25



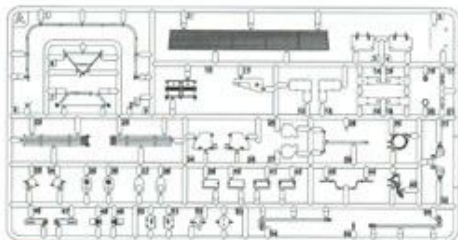
26



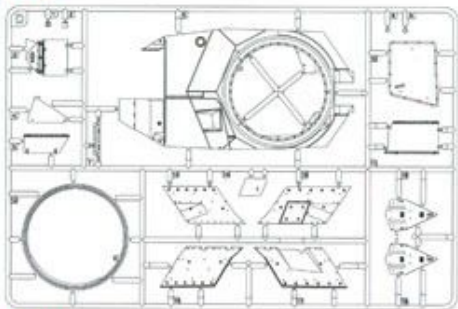
27



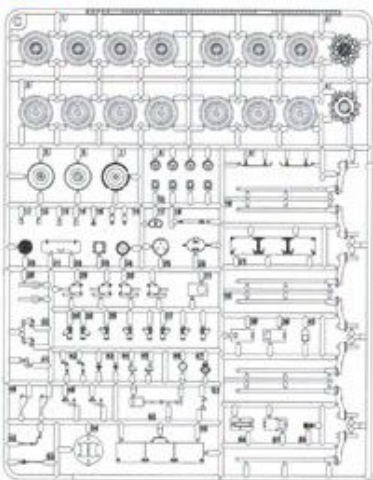
A x 1



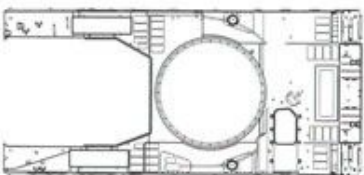
D x 1



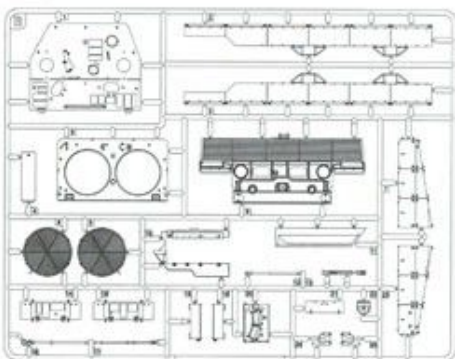
C x 2



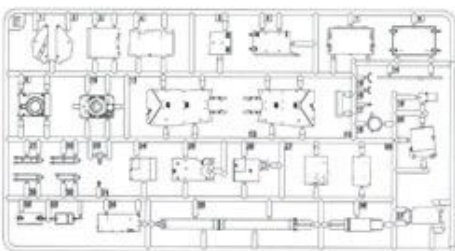
UPPER HULL



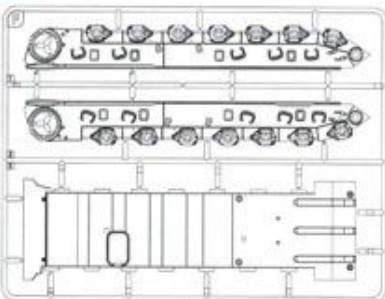
B x 1



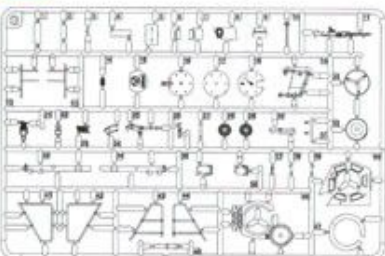
E x 1



F x 1



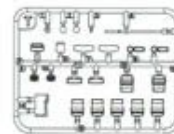
G x 1



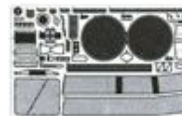
H x 3



I x 1



Y x 1



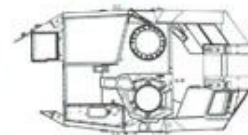
Cable 252mm



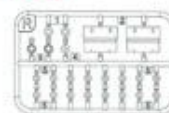
Cable 18mm



TURRET



R x 1



Decal



This Leopard 2A6 is the 1st tank of the 1st Platoon, 4th Company, 93rd Armour Demonstration Battalion, Panzerlehrbrigade 9, 1. Panzerdivision.

On both sides of the turret the name of the commander has been attached on tape.

第1装甲师，坦克训练9旅，93装甲训练营，4连 1排 1号车，炮塔侧面印有车长的名称“Meyer”



This Leopard 2A6 of the 3rd Company, 104th Armour Battalion, Panzerbrigade 12, 10. Panzerdivision.
 第10装甲师, 12装甲旅, 104装甲营, 3连。

