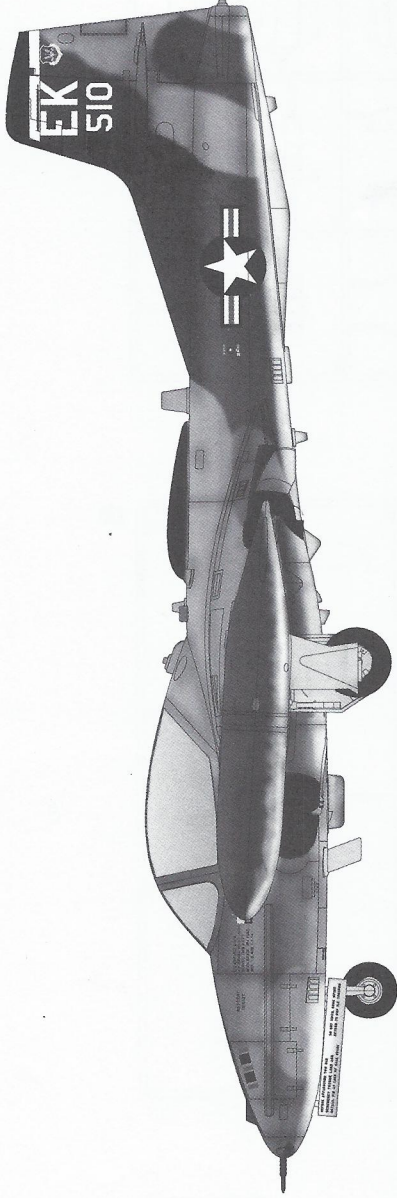


# 1:48 SCALE

# ITEM NO.:02888



# A-37A Dragonfly

A-37A “蜻蜓”攻击机

### READ BEFORE ASSEMBLY:

- Study and understand these instructions thoroughly before beginning assembly
- When needed, remove photo-etch parts carefully using a modeling knife or photo etch sprue cutter, being careful not to damage or lose small parts.
- Take extra care in handling photo etch parts in order to avoid injury
- Apply instant cement sparingly to photo etch parts where instructed

- Tools recommended(not included in kit):Plastic and instant cements,sprue cutters,long nose pliers,modeling knife, small files, tweezers, pin vise & scissors. Soft cloth and sandpaper will also assist in construction
- Glue and paint are not included in the kit. Use plastic cement and hobby paints only. Color guide for purchasing paint is included in the kit.

### 装配之前仔细阅读

- 小心用模型锉刀锉平所有零件表面的注射浇口。
- 小心用刀片切下蚀刻片零件，不要遗失小零件。
- 用强力快干胶水粘合蚀刻片零件和金属轴。过量快干胶水，使用可能导致可动零件会粘住，小心涂胶。
- 取蚀刻片时应特别注意安全，防止利边划伤手指。
- 某些零件表面需贴水上贴纸，请选择在装配的同时进行。
- 推荐模型工具(自备)：胶水，水口剪刀，长咀钳，刀片，镊子，钳，钻，剪刀，瞬间快干胶。
- 软布同砂纸同时也应该是必备工具。
- 请使用塑料胶水和油漆，模型内不含。

### 水贴纸的使用:

- 1.从水贴纸上剪下印花;
- 2.将印花放入温水中浸10秒，然后放在干净布上。
- 3.拿着印花纸将印花移到模型上;
- 4.手指蘸水将印花移到适当的位置;
- 5.用软布轻压印花直至水干，气泡消失。

### DECAL APPLICATION:

1. Cut decals from sheet as needed
2. Dip the decal in warm water for about 10 seconds and then place on soft clean cloth.
3. Hold the decal backing sheet edge and gently slide the decal onto the model in its proper position.
4. While still wet, decal can be adjusted for better fit on model by dampening it gently with your finger.
5. When placed in the proper position, gently press decal down with a soft cloth until excess water and air bubbles are gone.
6. Allow decal to dry completely before handling model



cyanoacrylate glue  
使用强力胶

make hole  
钻孔

cut / remove  
切除



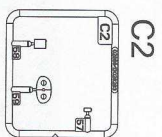
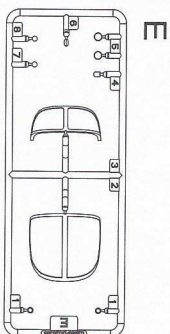
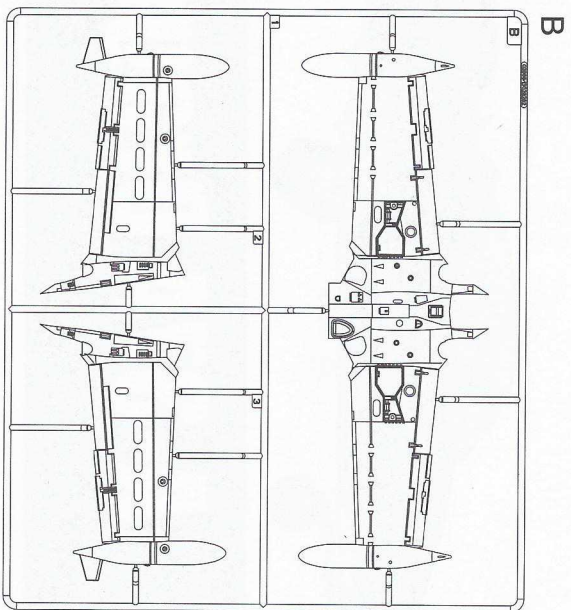
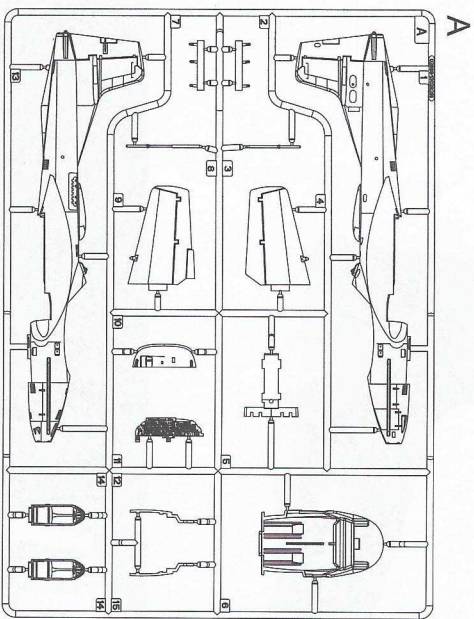
option  
选择

no cement  
不涂胶水

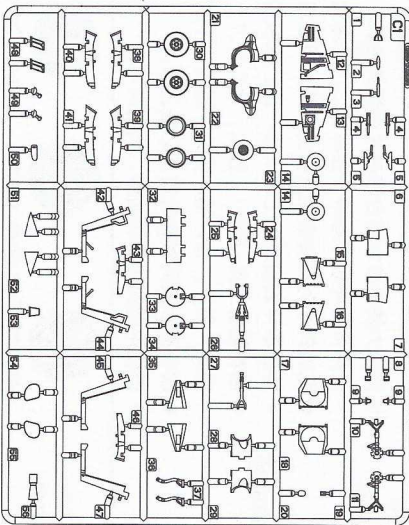
bend  
弯曲

file / sand  
锉平

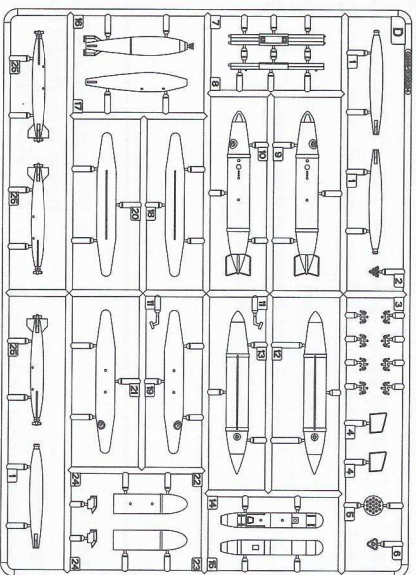
部品图  
Parts



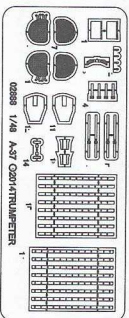
C1



D×2



《独刻片》  
Photo etched parts/PE



《水贴》 A  
Decal

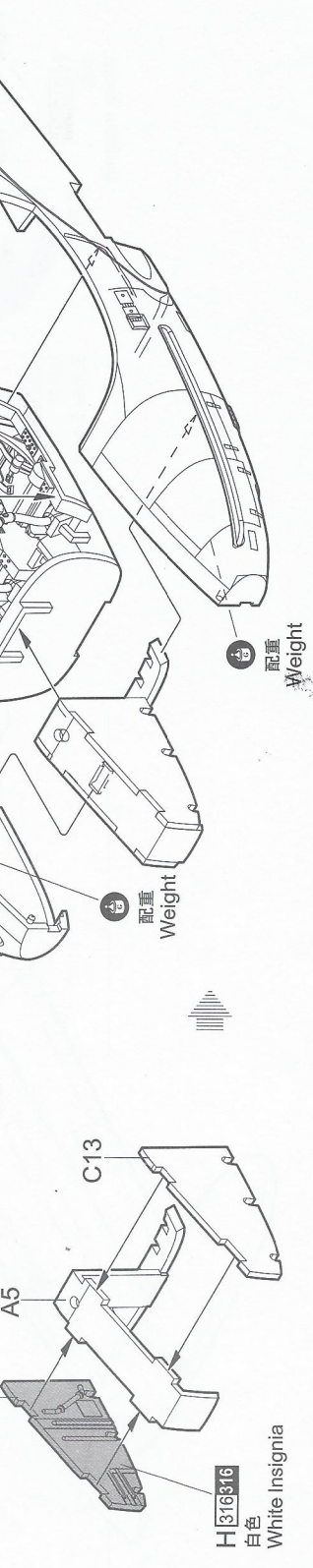
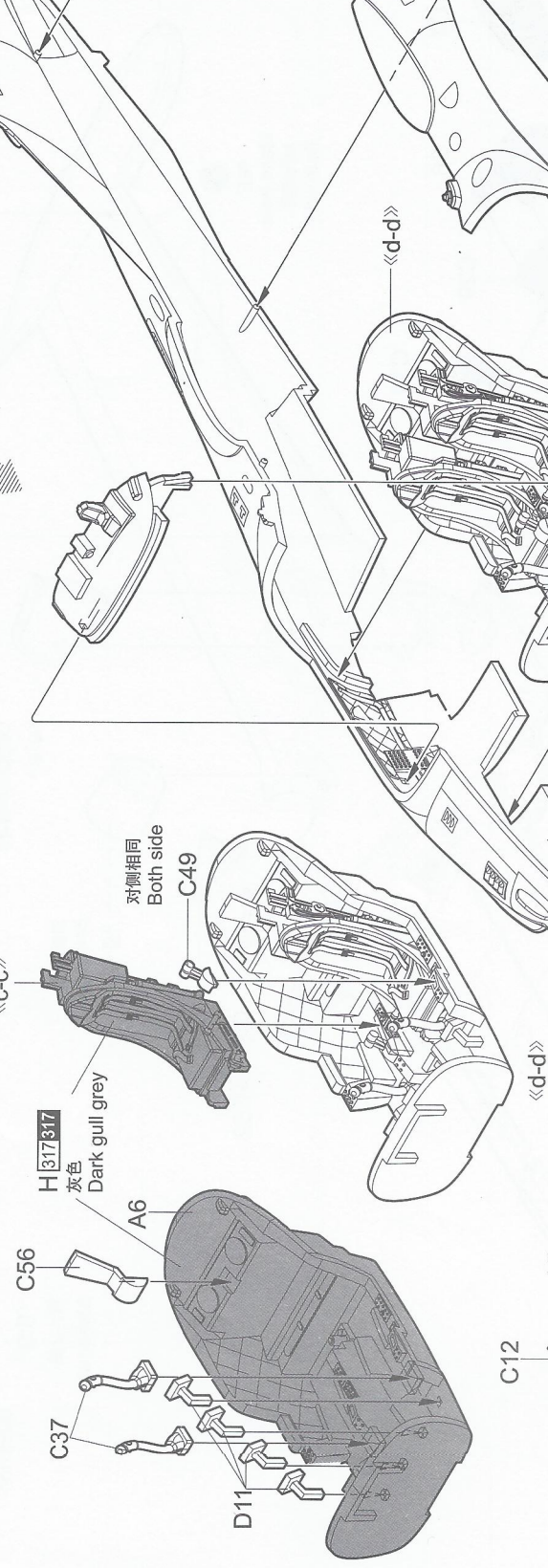
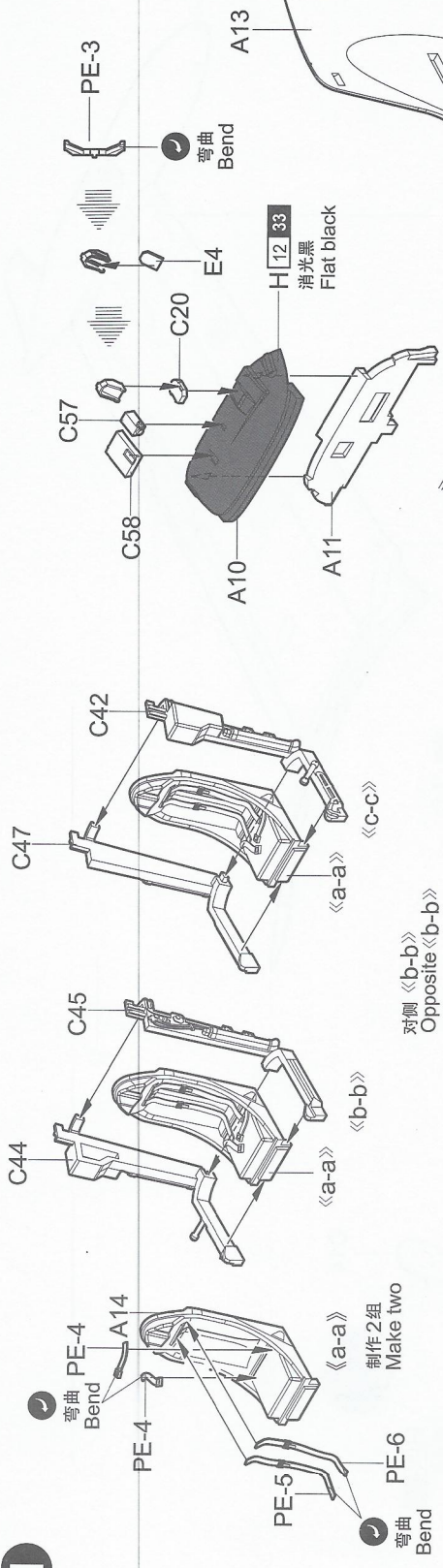


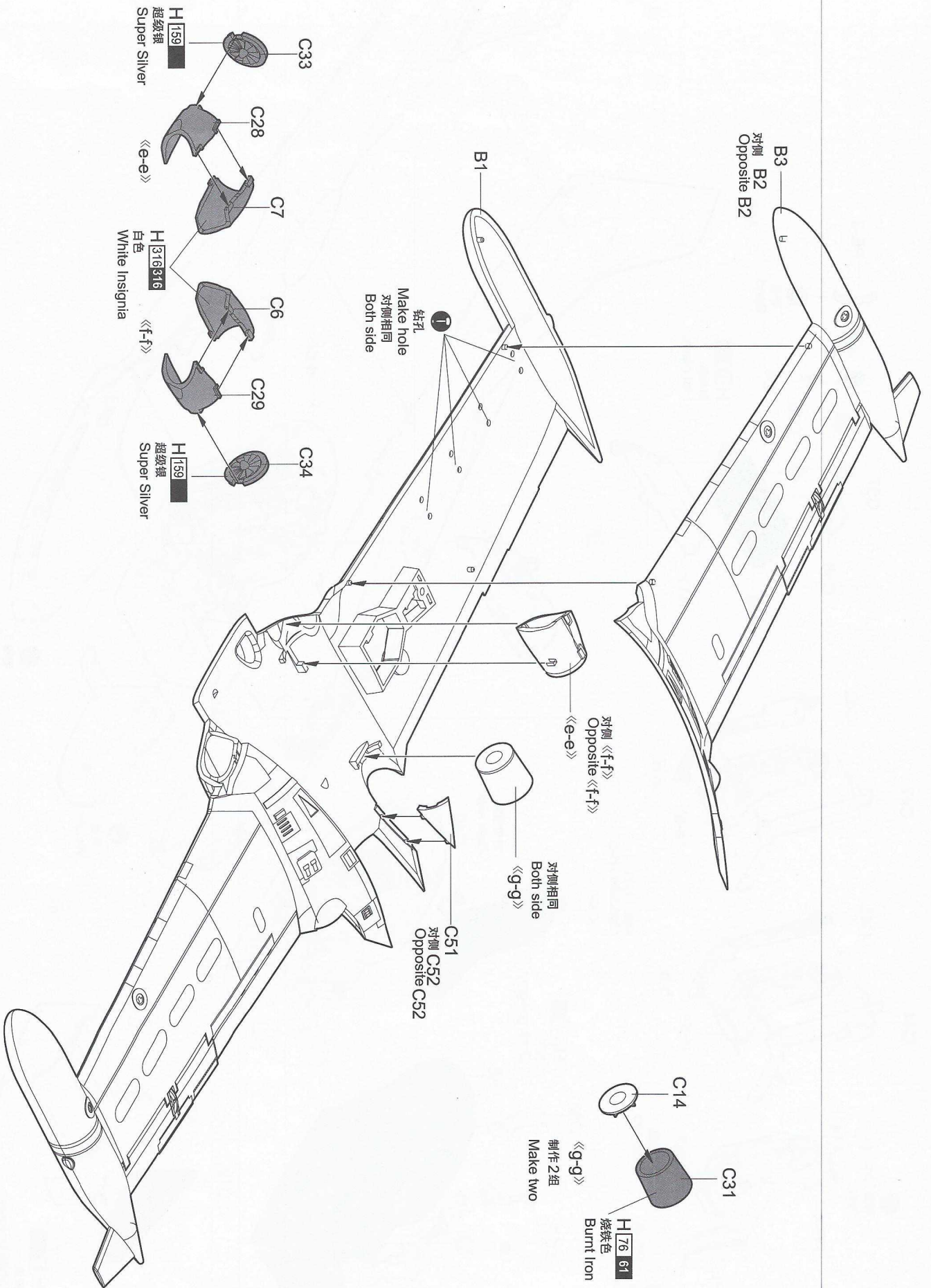
《水贴》 B  
Decal



不用的部件: E6  
Unused parts

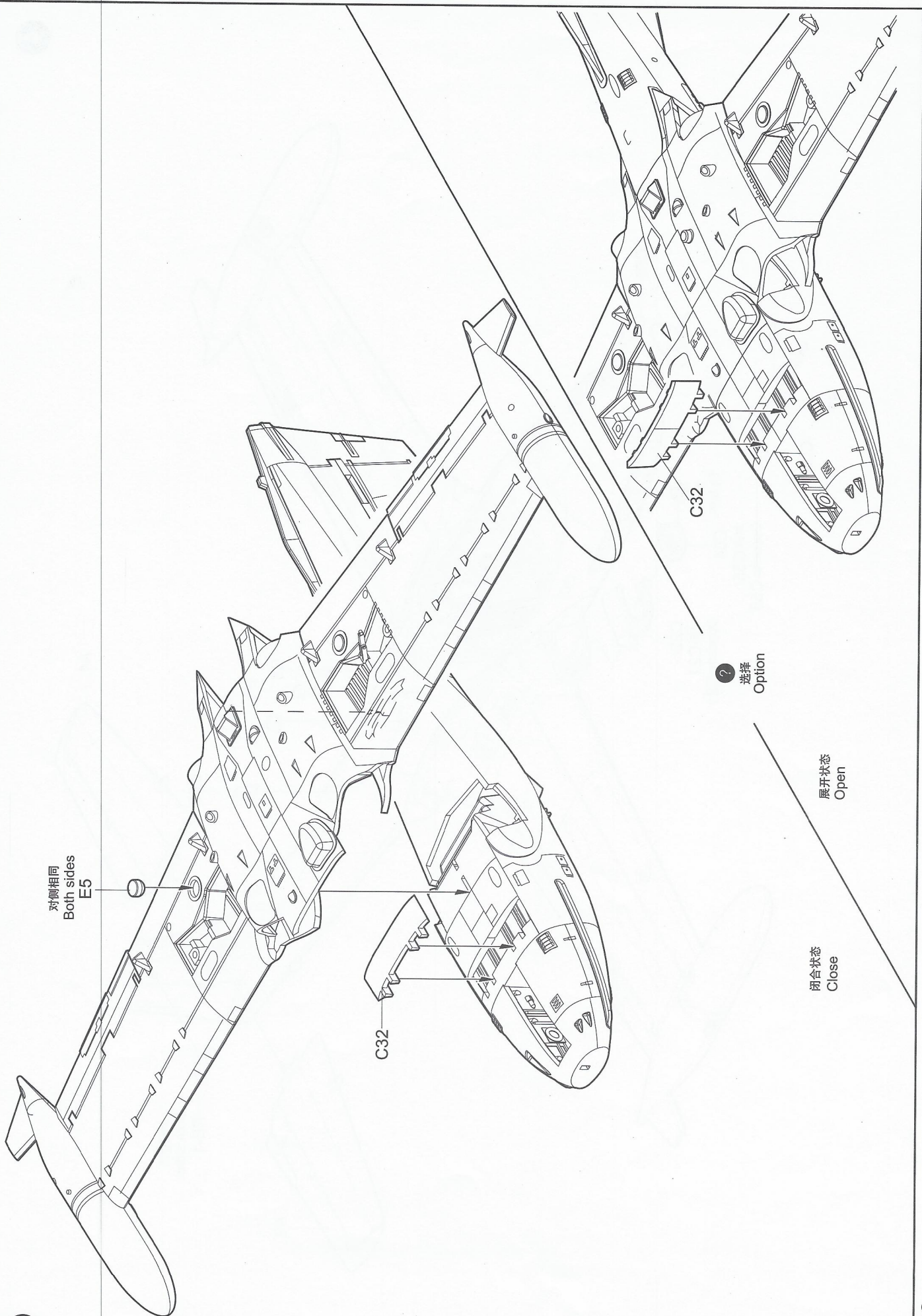
1

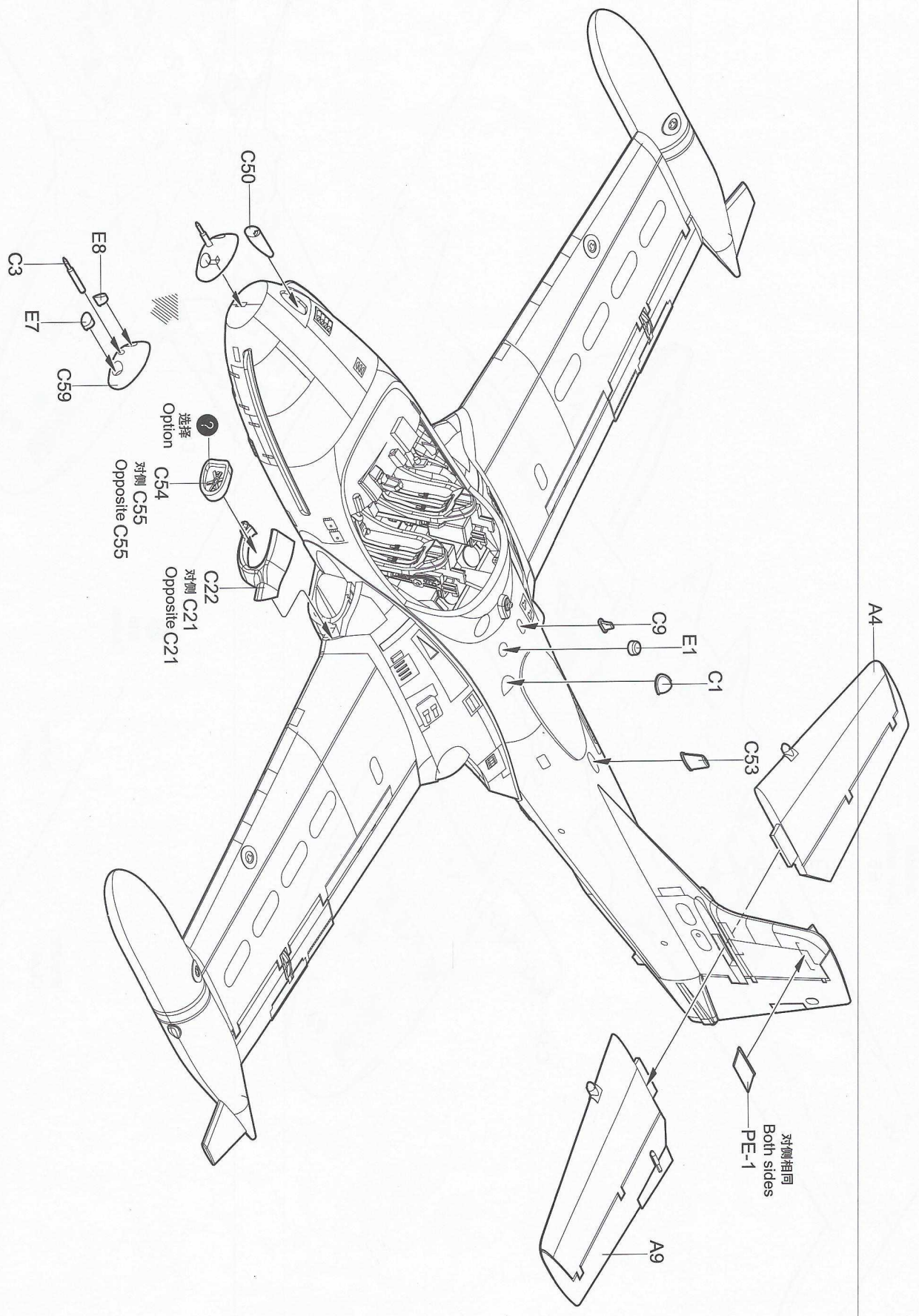




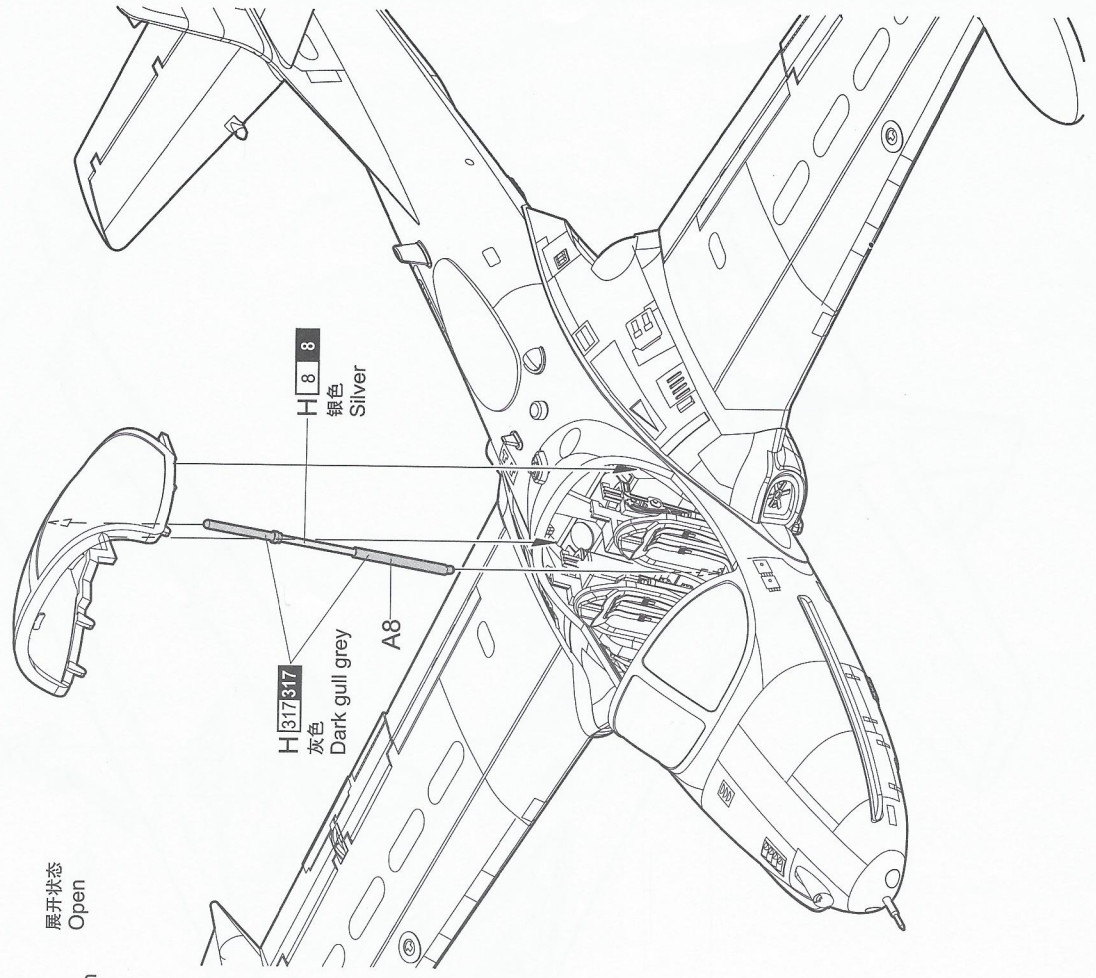
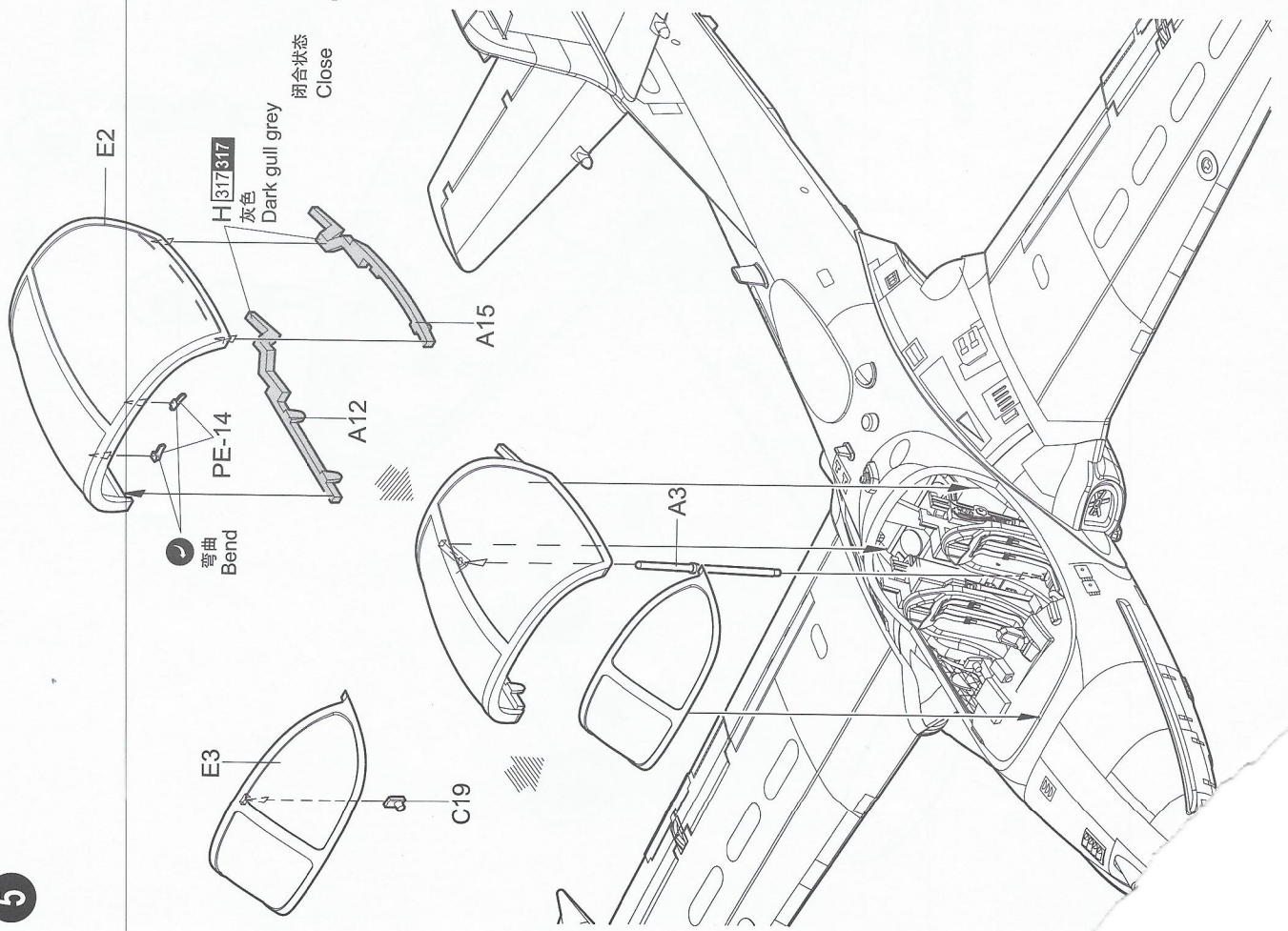
3

对侧相同  
Both sides  
E5

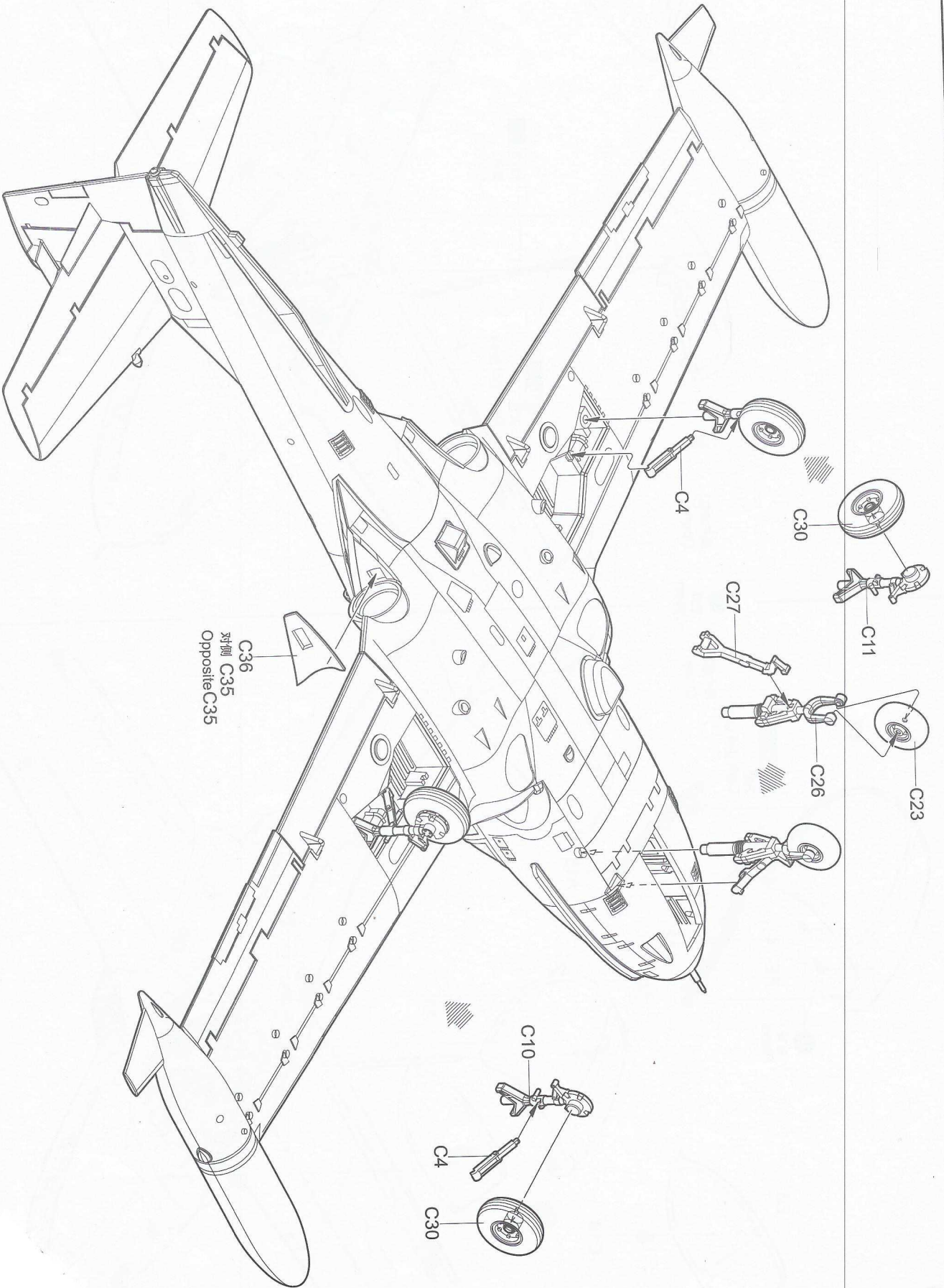




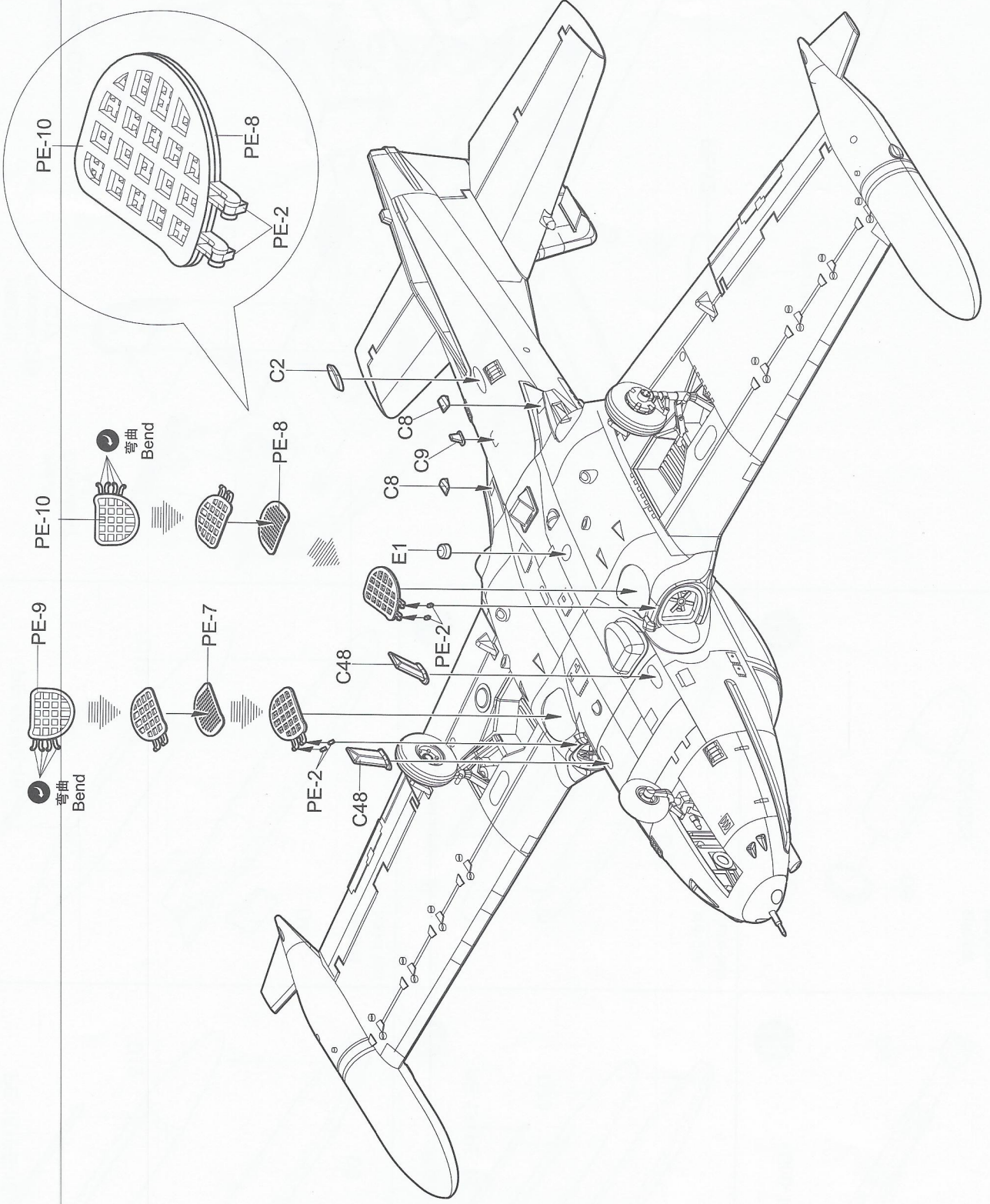
5



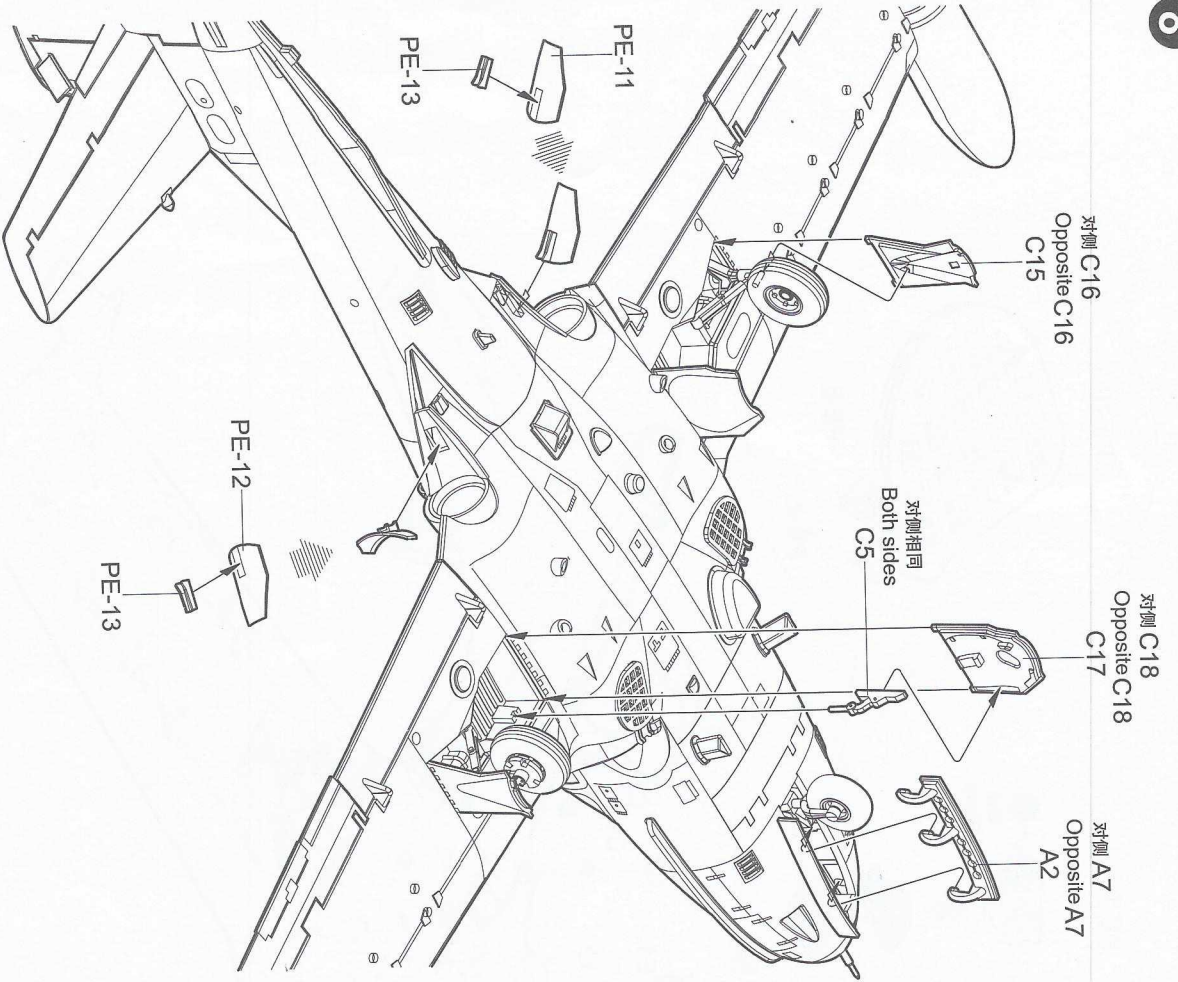
7





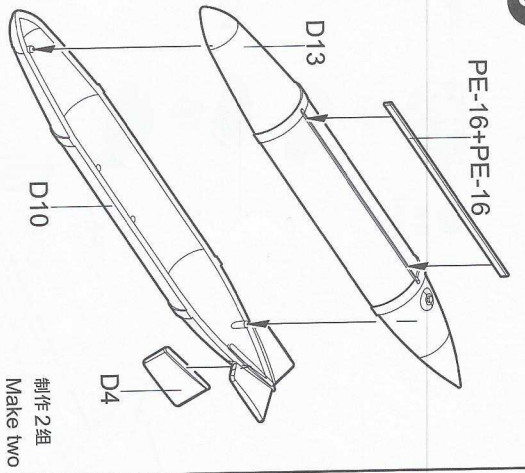


8



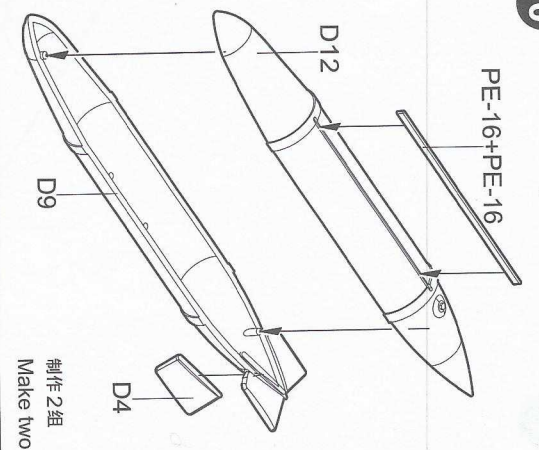
9

«Left fuel tank» I



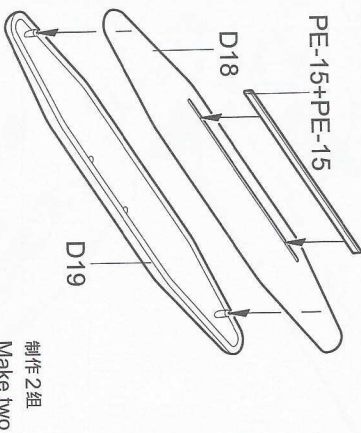
10

«Right fuel tank» I



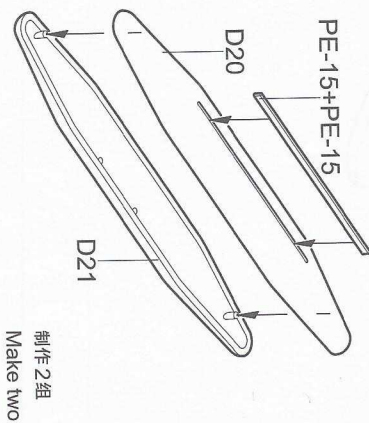
11

«Left fuel tank» II



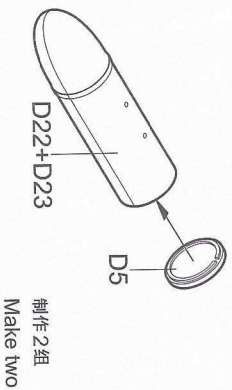
12

«Right fuel tank» II



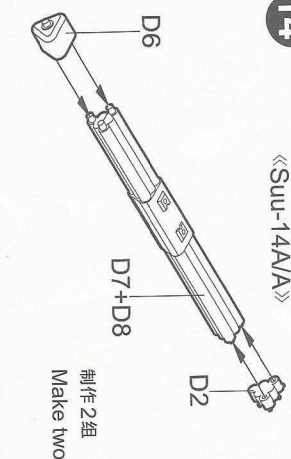
13

«LAU-3 Rocket pod»



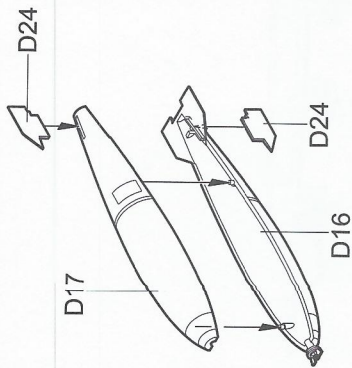
14

«Suu-14A/A»



15

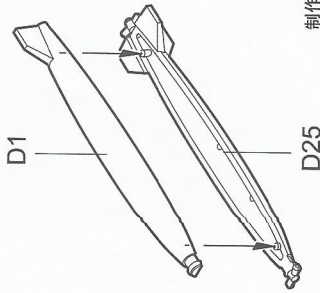
«M117 bomb»



制作 2 组  
Make two

16

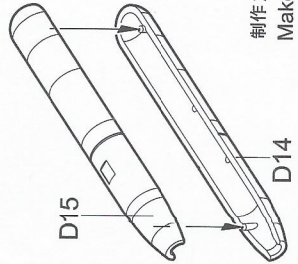
«MK.81»



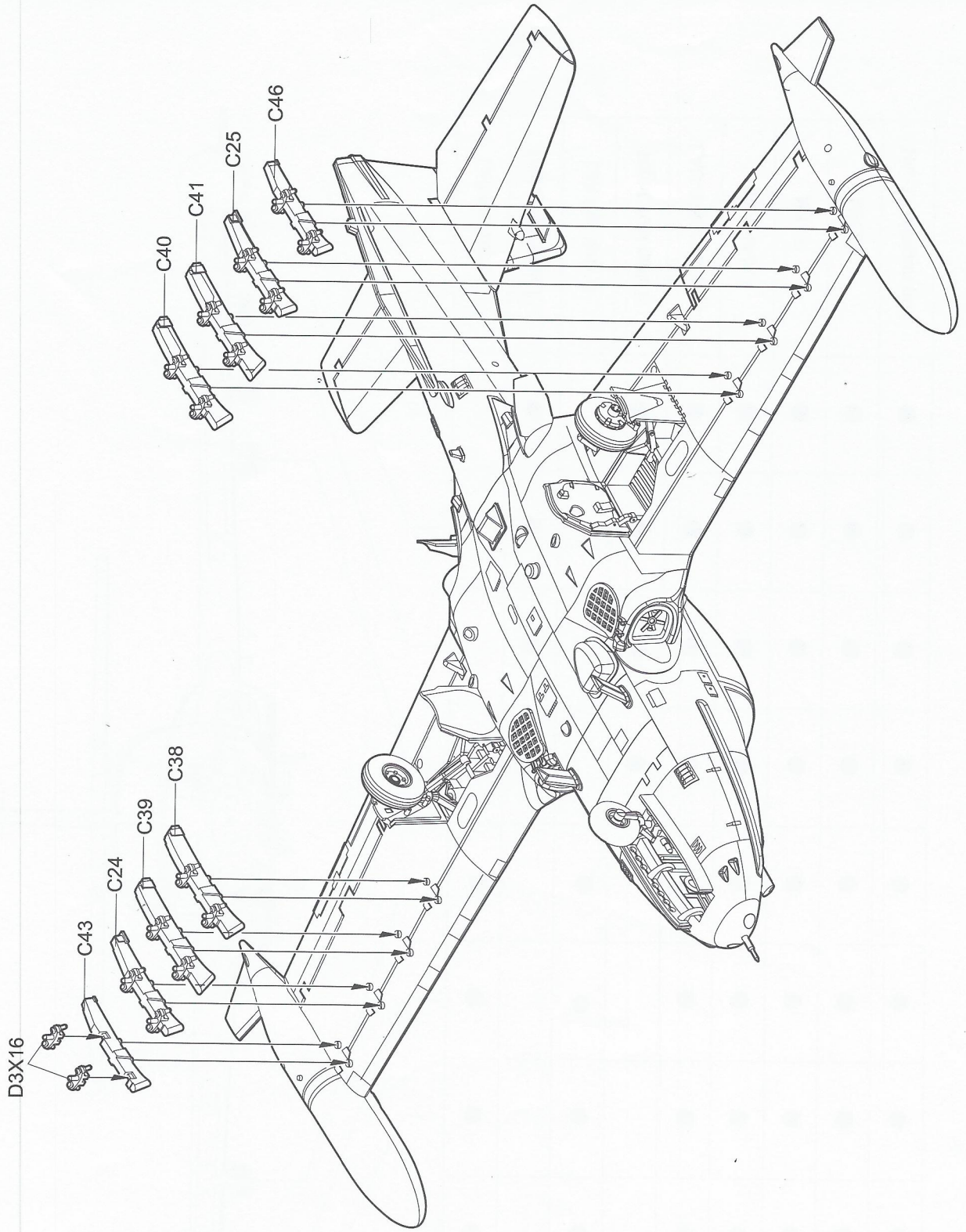
制作 6 组  
Make six

17

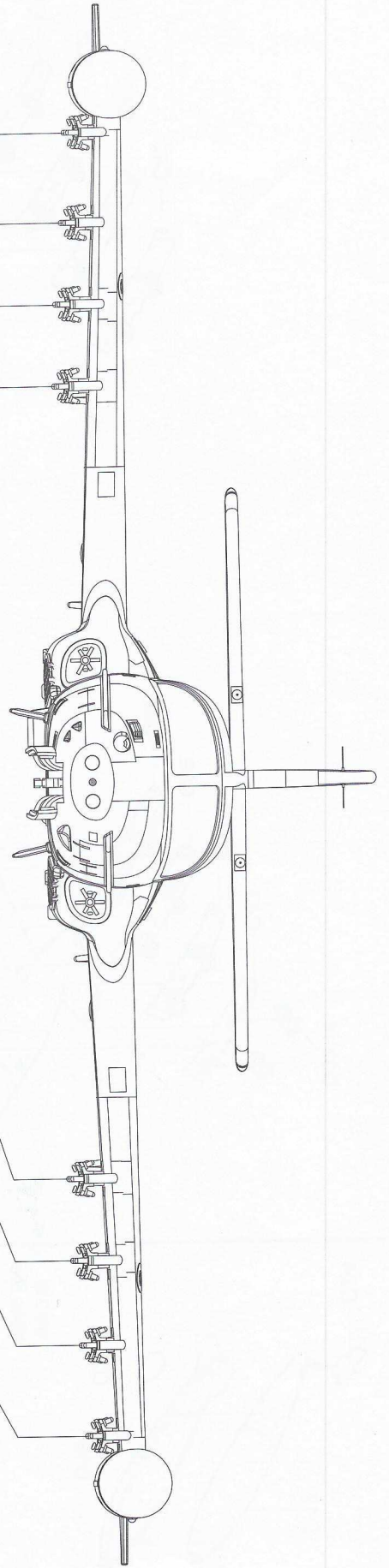
«Suu-11 Minigun pod»



制作 2 组  
Make two



18

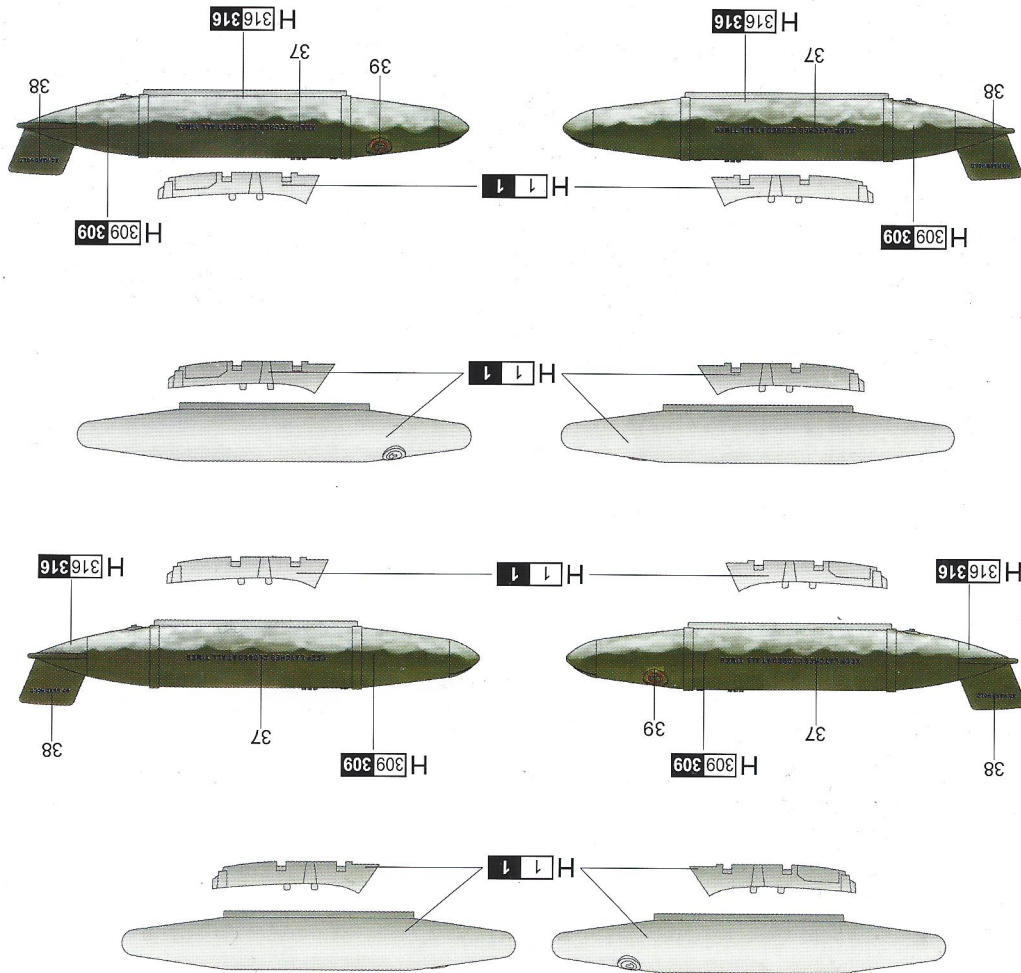
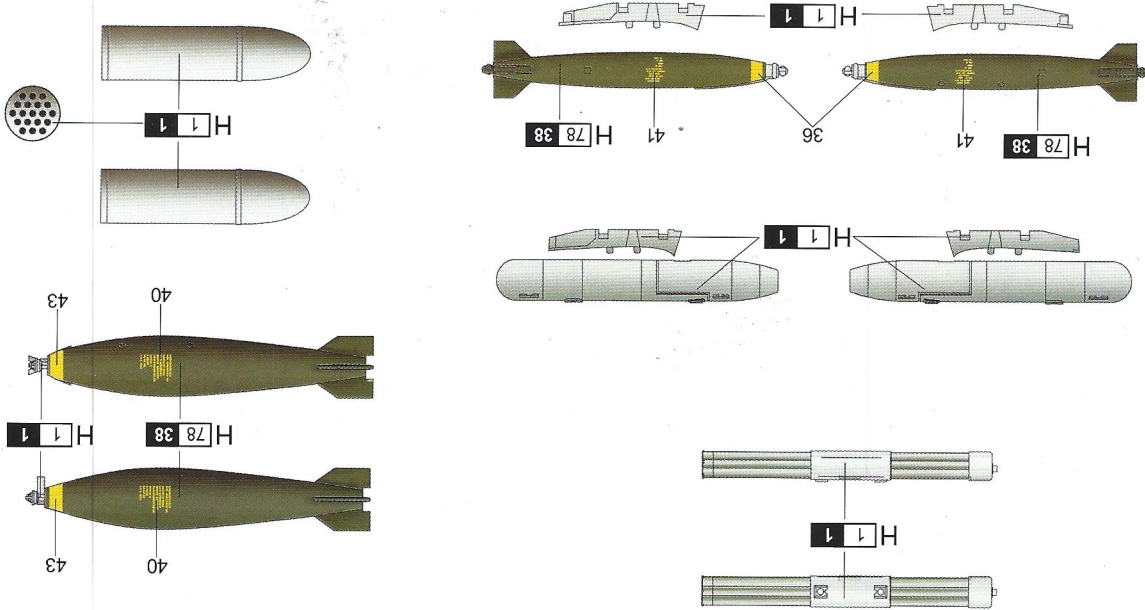


Left fuel tank I																			
Right fuel tank I	●	●	●	●	●	●	●	●	●	●	●	●	●	●	●	●	●	●	●
Left fuel tank II																			
Right fuel tank II	●	●	●	●	●	●	●	●	●	●	●	●	●	●	●	●	●	●	●
LAU-3 Rocket pod	●	●	●	●	●	●	●	●	●	●	●	●	●	●	●	●	●	●	●
Suu-14A/A	●	●	●	●	●	●	●	●	●	●	●	●	●	●	●	●	●	●	●
M117	●	●	●	●	●	●	●	●	●	●	●	●	●	●	●	●	●	●	●
MK.81	●	●	●	●	●	●	●	●	●	●	●	●	●	●	●	●	●	●	●
Suu-11 Minigun pod	●	●	●	●	●	●	●	●	●	●	●	●	●	●	●	●	●	●	●

涂装同标贴指示  
Painting & Marking guide

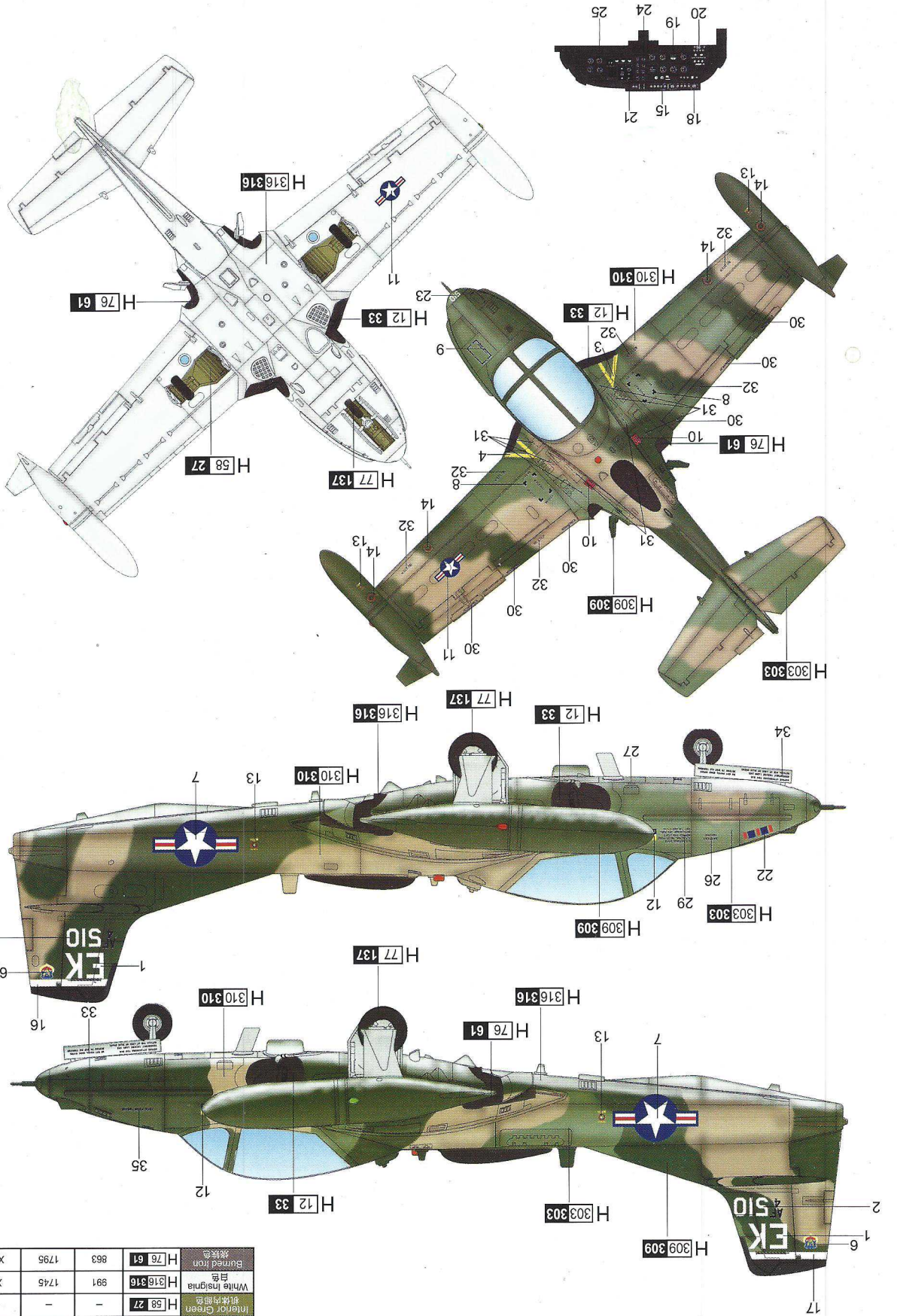
**B**

PAINT REFERENCE COLOUR			
Color	Mt.Hobby	Vallejo	Model Master
White Insignia	H 816316	991	1745
White	H 111	842	1745
Forest Green	H 309309	893	1710
透明绿	H 9047	934	X27
Clear Red	H 94138	936	X25
透明红	H 78308	950	-
橄榄绿 (2)	H 78308	950	-



MR. COLOR  
AQUEOUS HOBBY COLOR

MR. COLOR AQUEOUS HOBBY COLOR



Color	Mr.Hobby	Vallejo	Tamiya	Humbrol
Light Green 漆綠	H 803 303	1713	XF20	117
Forest Green 森林綠	H 809 309	893	XF58	116
Brown 棕色	H 310 310	874	1742	118
Steel/Metal Black 鋼鐵色	H 18 28	864	1402	-
Tire Black 黑色	H 77 137	-	-	-
Light Green 漆綠	H 58 27	-	-	-
White Insignia 白色	H 316 316	991	1745	22
Burned Iron 燒鐵色	H 76 61	863	1795	53

PAINT REFERENCE COLOUR

涂装同标贴指示

Painting & Marking guide

1710 = 3407g  
1713 = 34102