

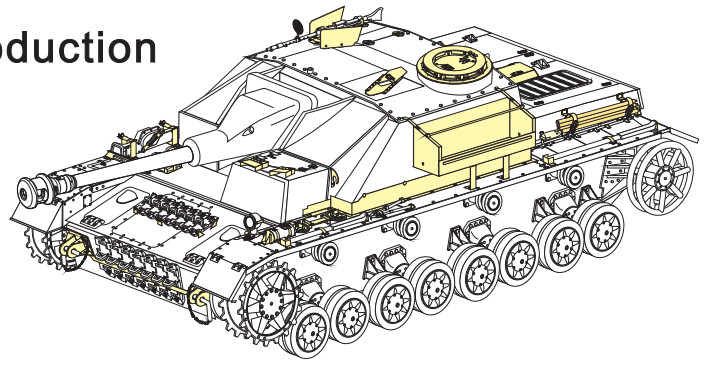
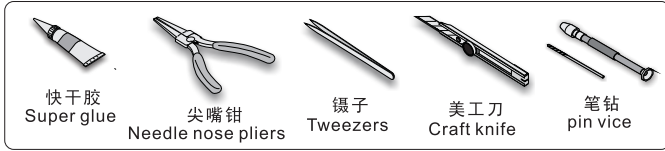
1/35 MILITARY MINIATURE VEHICLE UPGRADE SERIES PE35544

WWII German StuG.IV Late Production

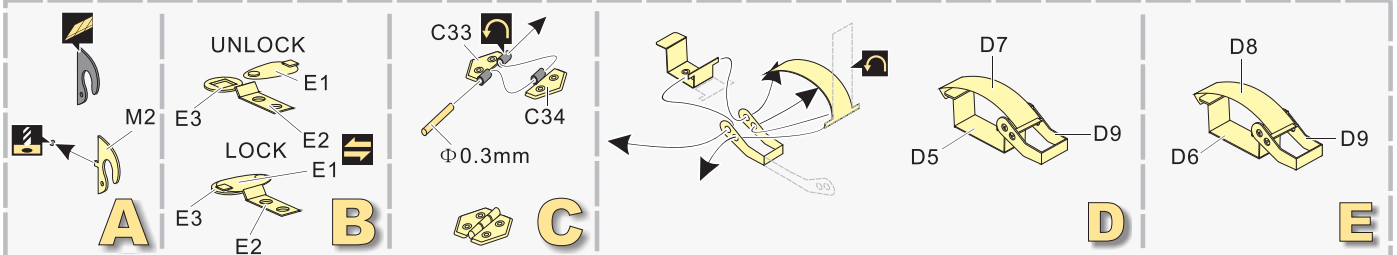
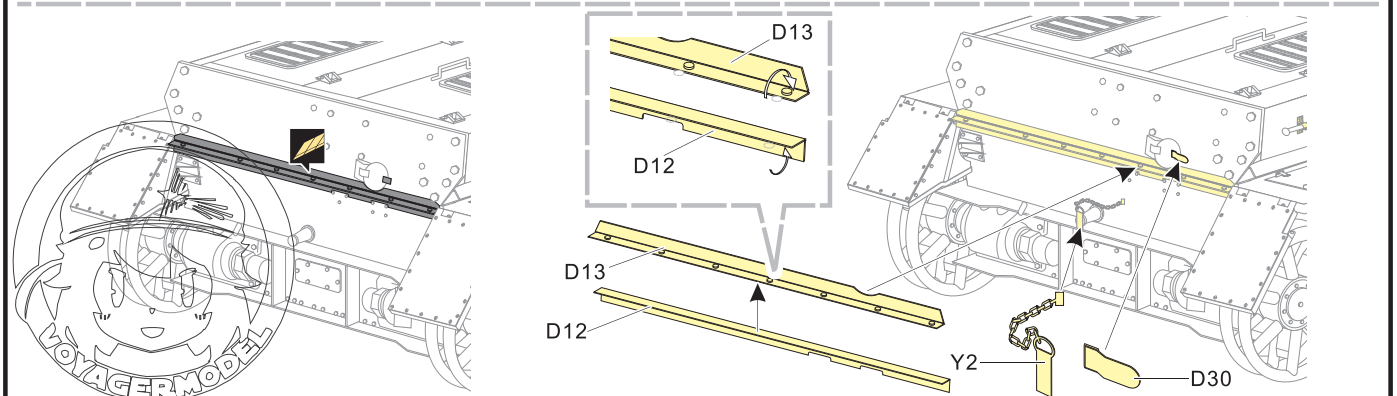
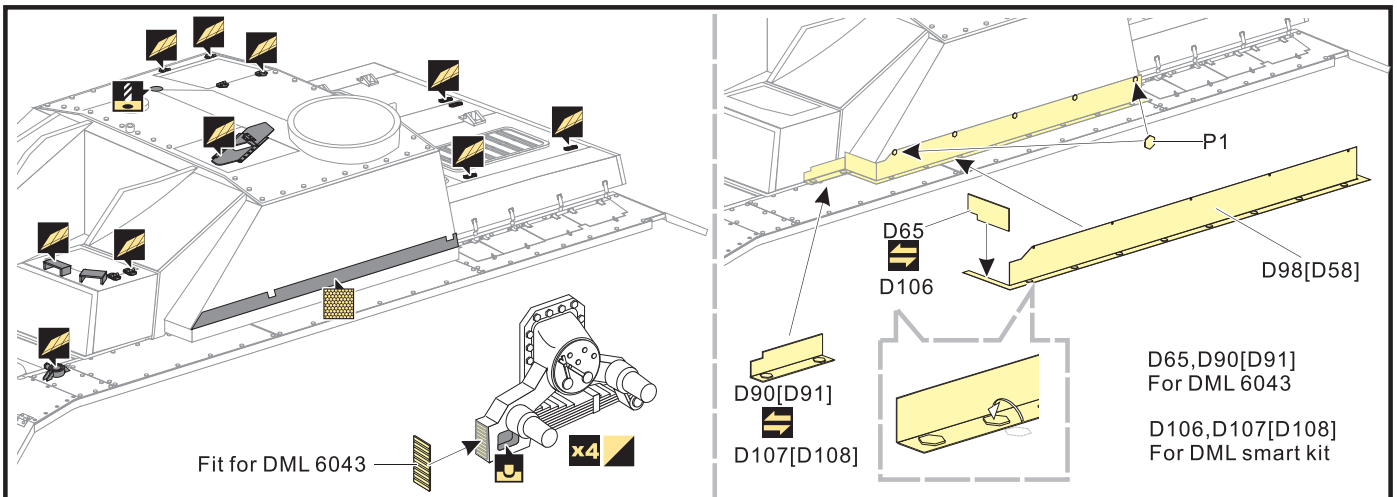
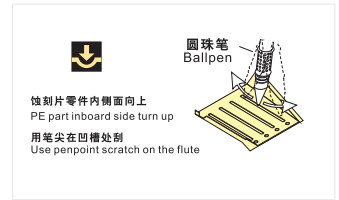
二战德军IV号突击炮后期型改造件

[For DRAGON 6612]

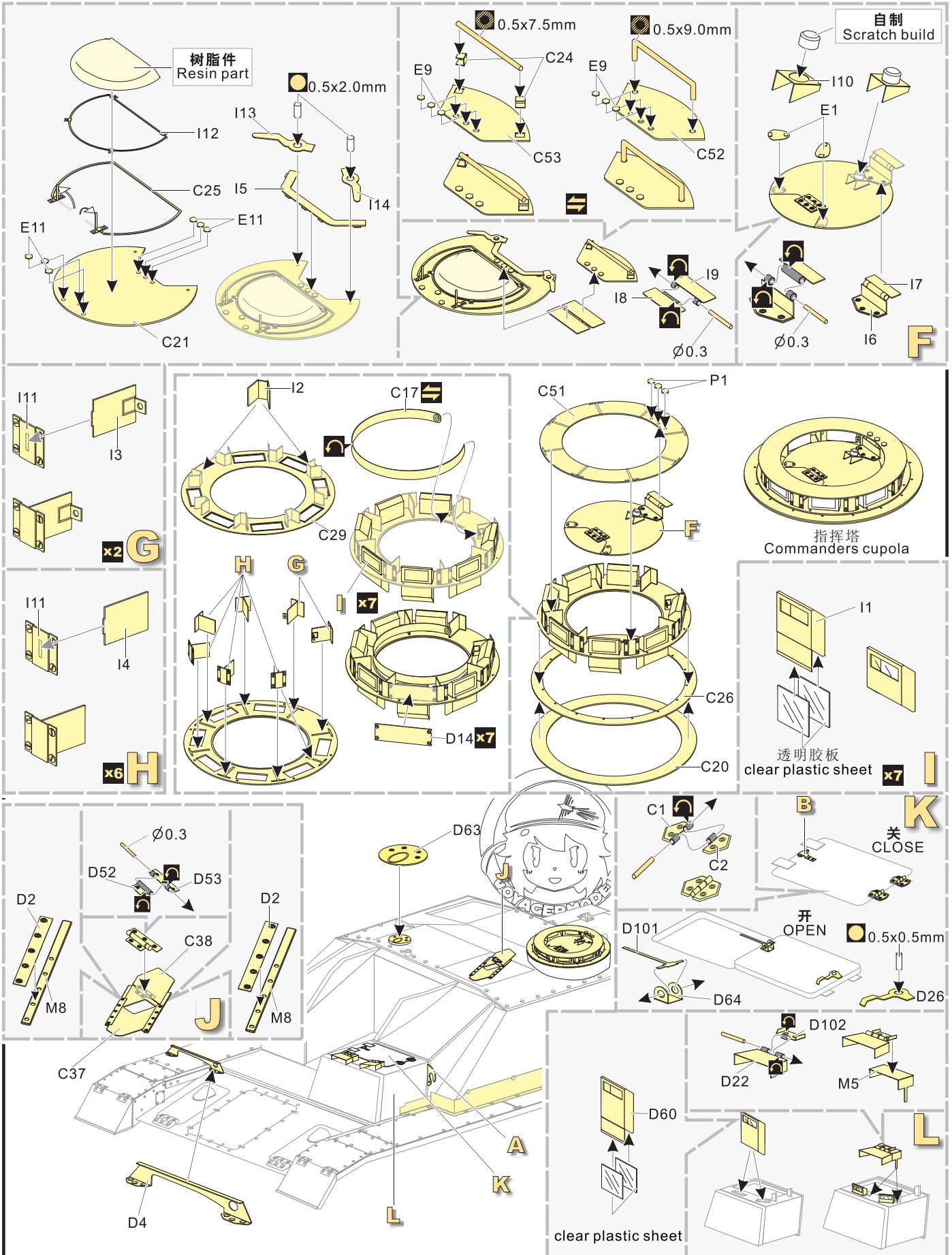
推荐使用工具 RECOMMENDED TOOLS



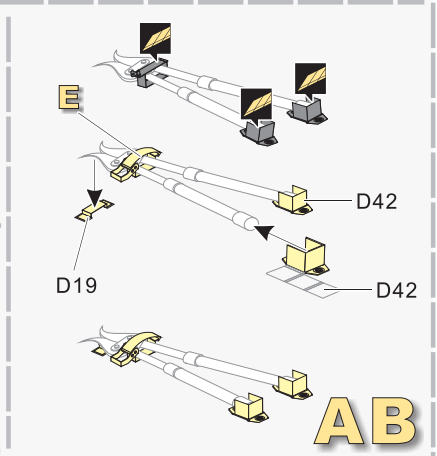
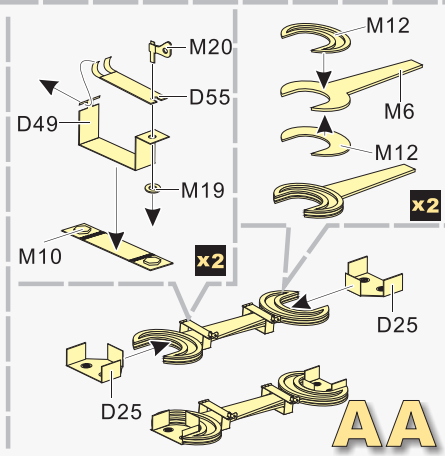
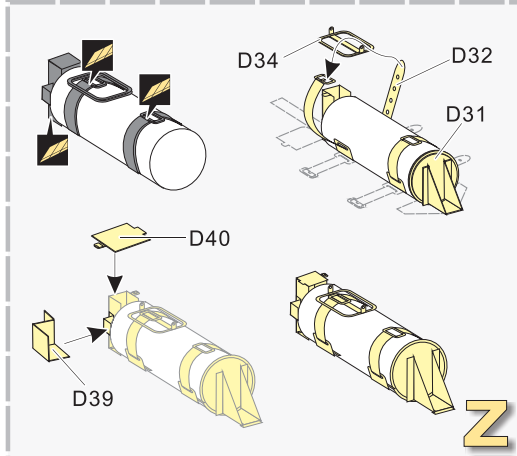
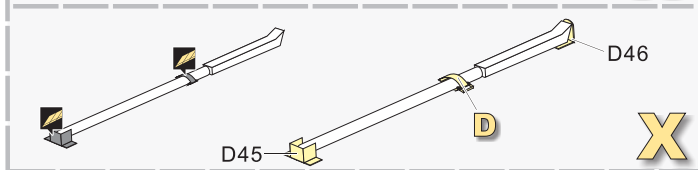
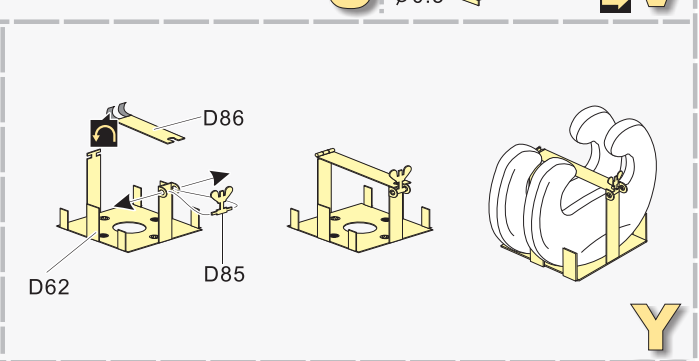
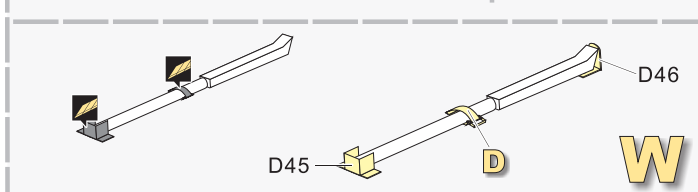
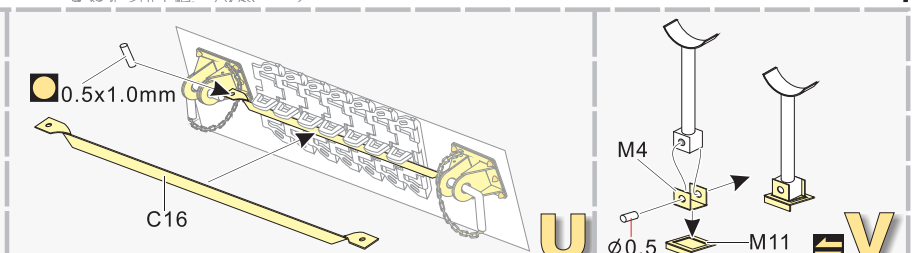
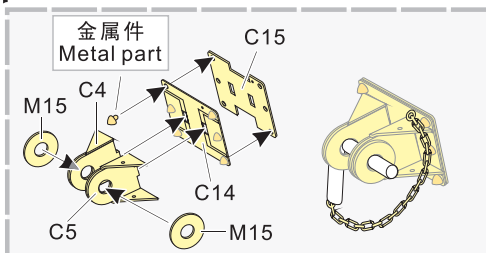
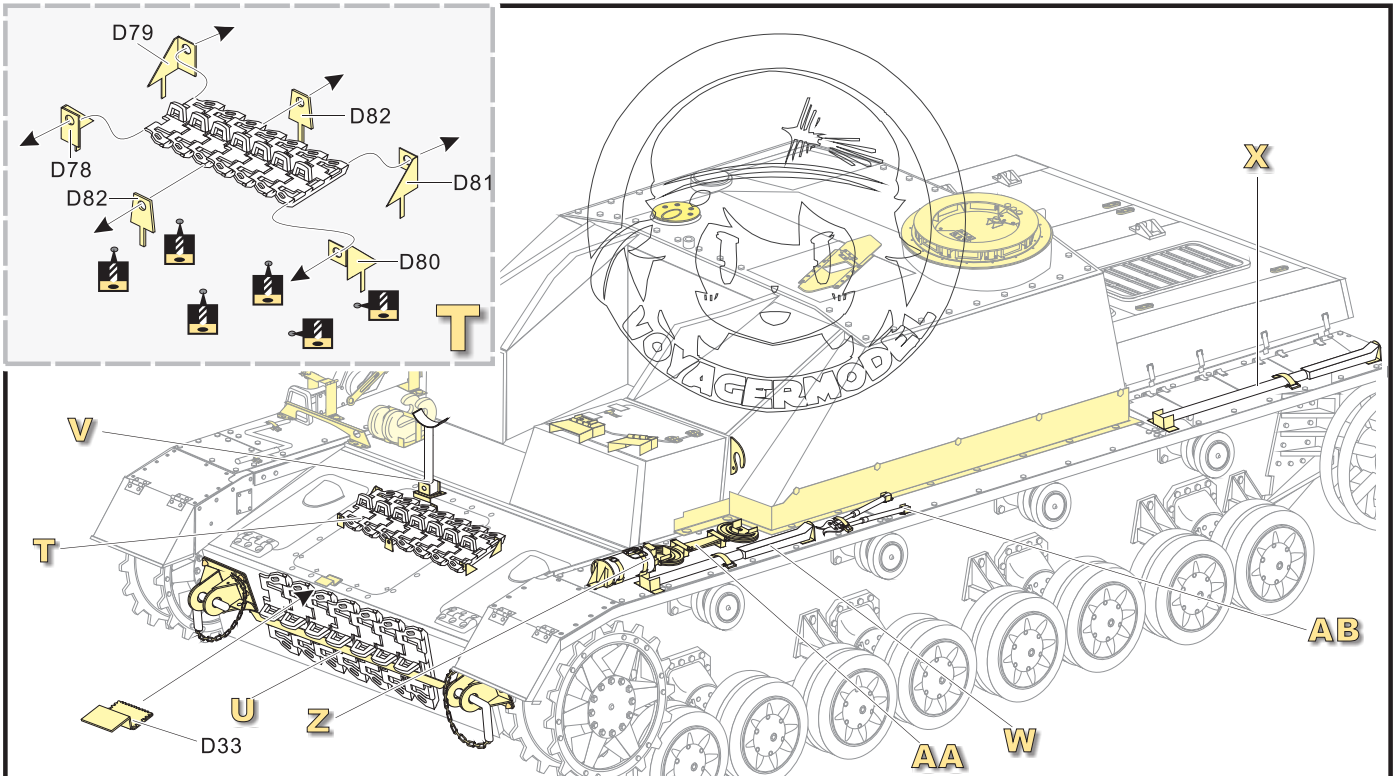
- 安装
install
- 折叠
bend
- A1**
改造件零件编号
PE/resin part number
- B12**
原零件编号
kit part number
- C22**
被替换的原零件编号
replaced kit part number
- x2**
制作若干组
multiple assembly
- 弧度卷曲
radial bending
- 选择安装
alternative
- 切除
remove
- 钻孔
drill
- 注意
caution
- 另一侧相同制作
repeat on opposite side
- 用尖端在凹槽处冲压
use penpoint to press on the dent
- 打磨
grind off
- 填补
fill
- 用铜管制作
make from brass tube
- 用胶棒制作
make from plastic rod



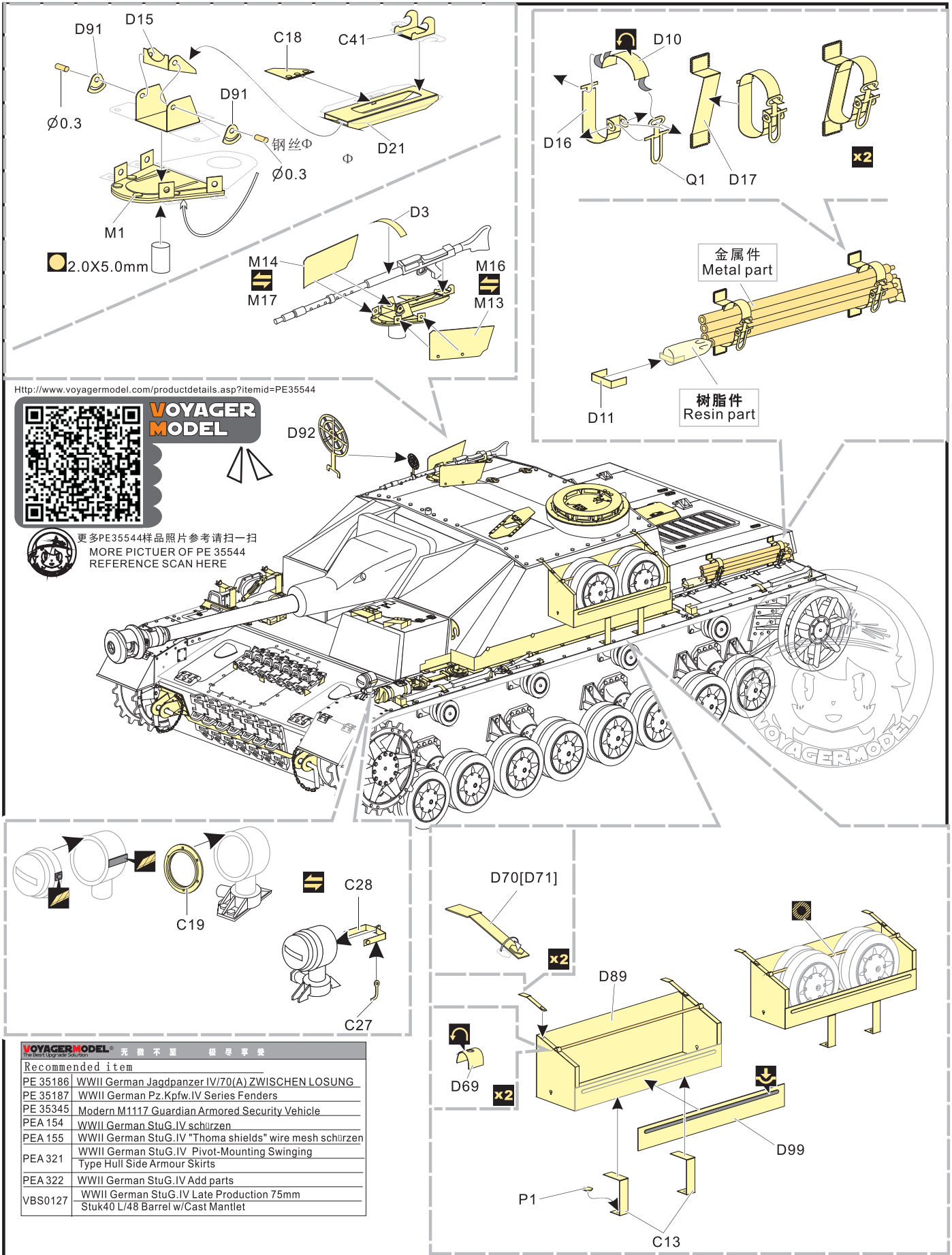
1/35 MILITARY MINIATURE VEHICLE UPGRADE SERIES PE35544



1/35 MILITARY MINIATURE VEHICLE UPGRADE SERIES PE35544



1/35 MILITARY MINIATURE VEHICLE UPGRADE SERIES PE35544



VOYAGERMODEL® 无限不至 极致享受

Recommended item	
PE 35186	WWII German Jagdpanzer IV/70(A) ZWISCHEN LOSUNG
PE 35187	WWII German Pz.Kpfw.IV Series Fenders
PE 35345	Modern M1117 Guardian Armored Security Vehicle
PEA 154	WWII German StuG.IV schürzen
PEA 155	WWII German StuG.IV "Thoma shields" wire mesh schürzen
PEA 321	WWII German StuG.IV Pivot-Mounting Swinging Type Hull Side Armour Skirts
PEA 322	WWII German StuG.IV Add parts
VBS0127	WWII German StuG.IV Late Production 75mm Stuk40 L/48 Barrel w/Cast Mantlet

1/35 MILITARY MINIATURE VEHICLE UPGRADE SERIES PE35544

