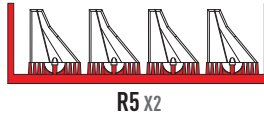
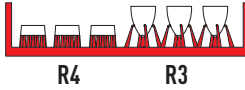
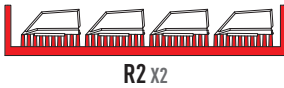
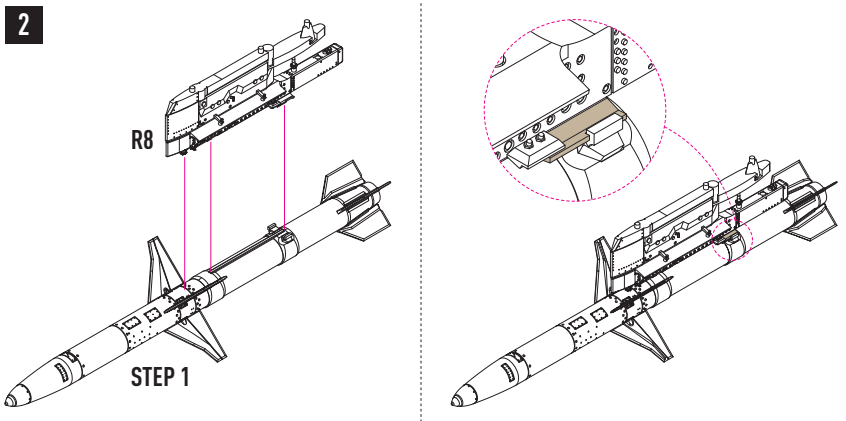
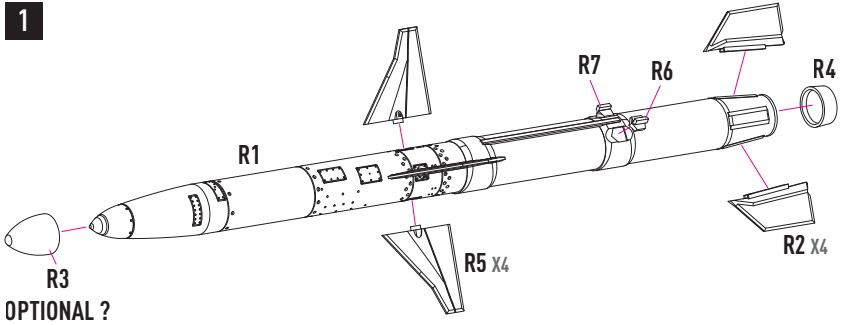
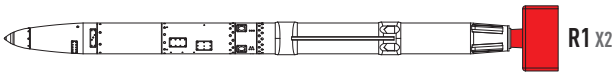
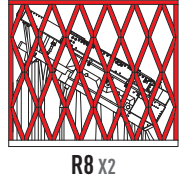


CUT

USE A SAW TO REMOVE SUPPORTS FROM 3D PRINTED PARTS



REMOVE PROTECTIVE COVER



COLORS	GUNZE / AEGEUS	GUNZE / MR.COLOR	FEDERAL STANDARD
WHITE	H316	C316	FS 17875
GRAY	H308	C308	FS 36375
RED	H3	C3	

21 ONLY FOR UKRAINIAN AIR FORCE
(WAR IN UKRAINE 2022)

TRANSLATION - YOU STINK OF RADAR

