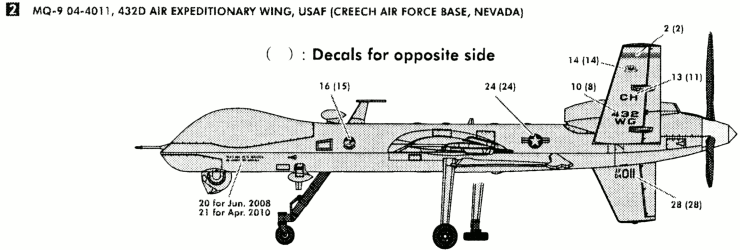
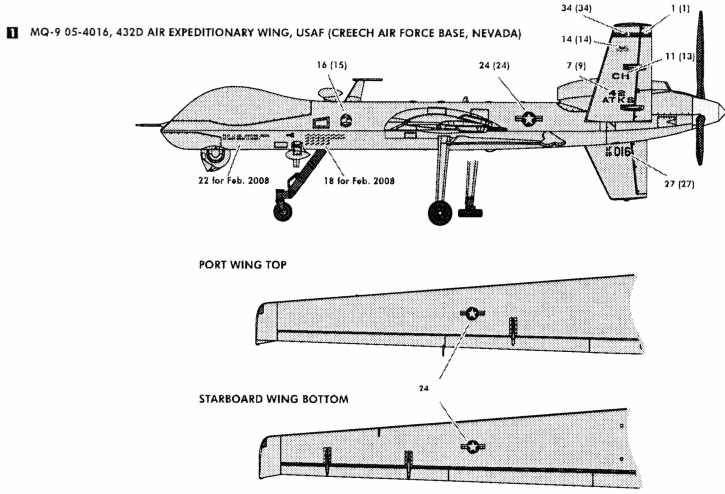


MQ-9 Reaper

The MQ-9 Reaper, the USAF's killer spy drones, is a high altitude, long endurance unmanned aircraft system (UAS) comprising a ground control station (GCS), MQ-9 air vehicles and other equipment along with aircrews for operation. It is a multi-role system with missions ranging from close air support and air interdiction to ISR(intelligence and reconnaissance) and monitoring country borders.

Being an outgrowth of the highly successful MQ-1 Predator, the MQ-9 Reaper is similar to the MQ-1 with the same surveillance gear but as its name suggests, this new system is a lethal hunter-killer weapon. Larger than the MQ-1, the MQ-9's 66 ft wings not only give it a longer loiter time, but also an incredible weapons carrying capacity of 3,000 pounds. It can carry up to 14 Hellfire missiles (compared to 2 for MQ-1) or weapons including the GBU-12 Paveway II LGBs, GPS-guided JDAM family bombs, Sidewinder missiles, etc. Such huge array of weapons has turned the MQ-9 into a feared enemy of all. The MQ-9 system also overcomes previous UAVs conflicting demands for payload, speed, altitude and persistence, and can fly twice as fast and twice as high as the MQ-1.

The MQ-9 Reaper was deployed to Afghanistan in October 2007 and flew it first operational mission in Iraq in July 2008. Operators of the MQ-9 include the United States Air Force, the United States Navy, the Royal Air Force, the Italian Air Force and non military users including NASA and the US Department of Homeland Security / Customs and Border Protection (DHS/CBP).

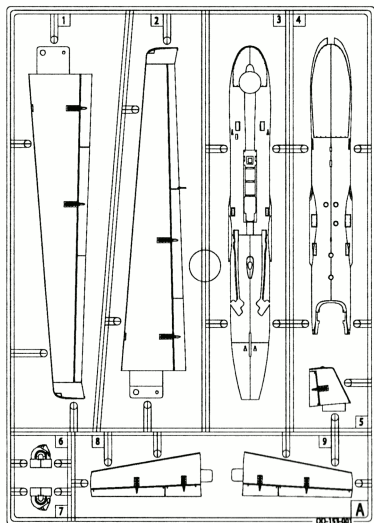


CAUTION

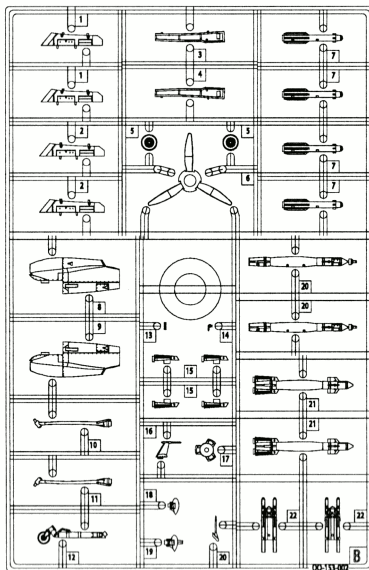
- *Read carefully and fully understand the instructions before commencing assembly.
- *Keep out of reach of children. Children must not be allowed to put any parts in their mouths, or pull plastic bag over their heads.
- *When using adhesives and paints, please make sure not to use them in closed room or near the fire.
- *When assembling this kit, tools including knives are used. Extra care should be taken to avoid injury.

WARNING: CONTAIN SMALL PARTS NOT FOR CHILDREN UNDER 14 YEARS OF AGE.

A x2



B x2



AFTERMARKET SERVICES CARD

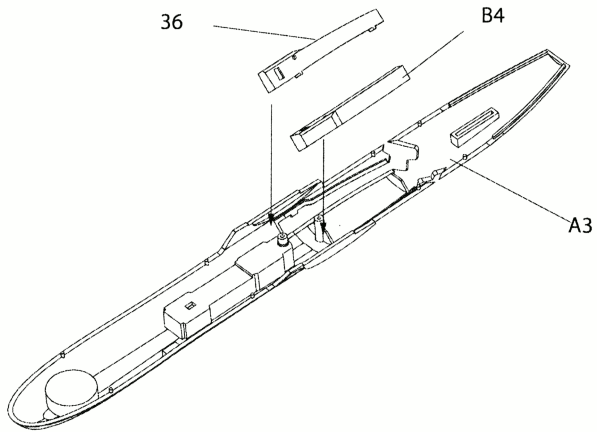
When requesting replacement parts, please take or send this form to your local dealer so that the parts required can be correctly identified. Please note that specifications and availability are subject to change without notice.

For more information, please contact info@skunkmodelworkshop.com or visit www.skunkmodelworkshop.com for more information

Parts Code	Item	SW72003
00-167-001	A	Main/Wing fuselage
00-167-002	B	Other parts
01-153-001		1/72 MQ-9 Decal Sheet

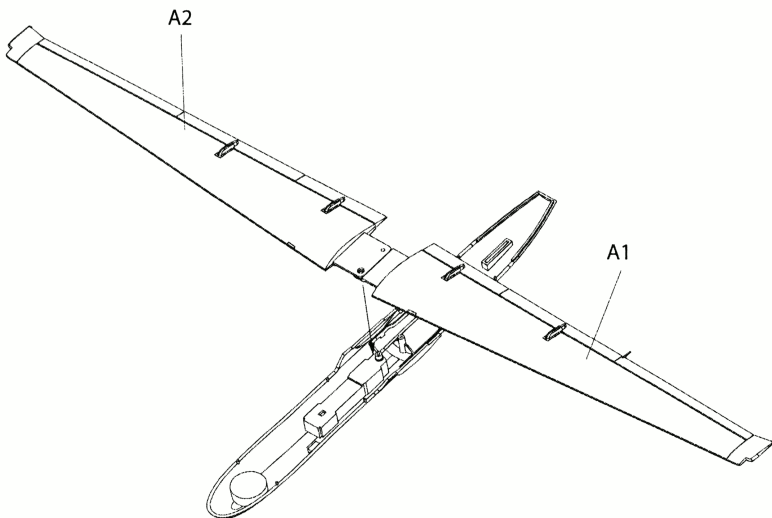
1

Landing Gear base

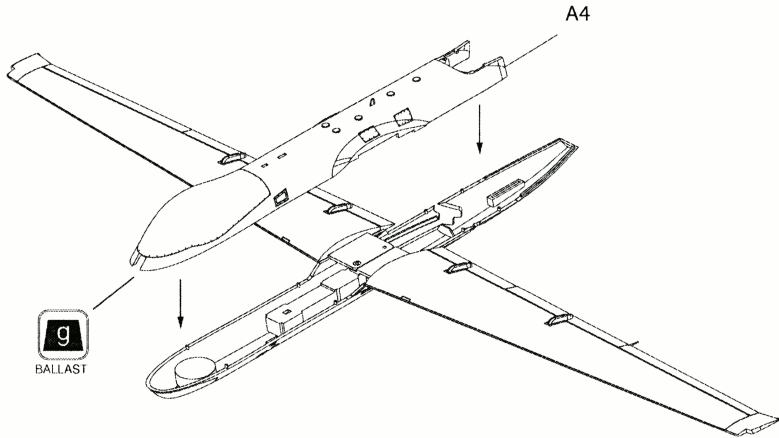


Attaching Main Wing to Fueslage

2

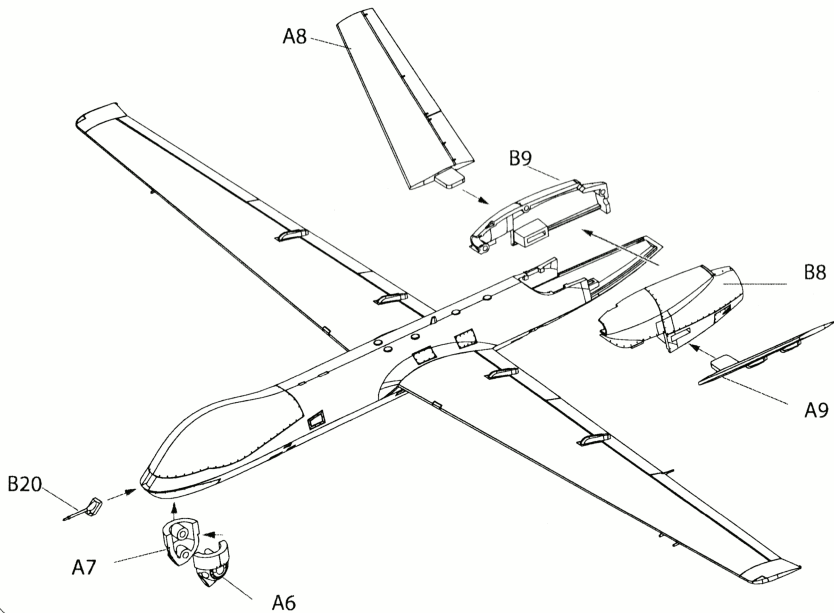


3 Joining the upper fuselage



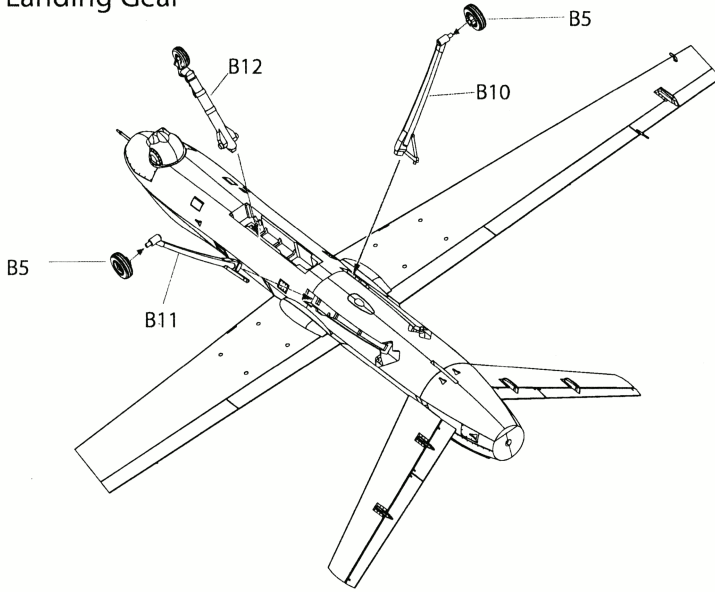
Attaching the engine, sensor and stabilizer

4



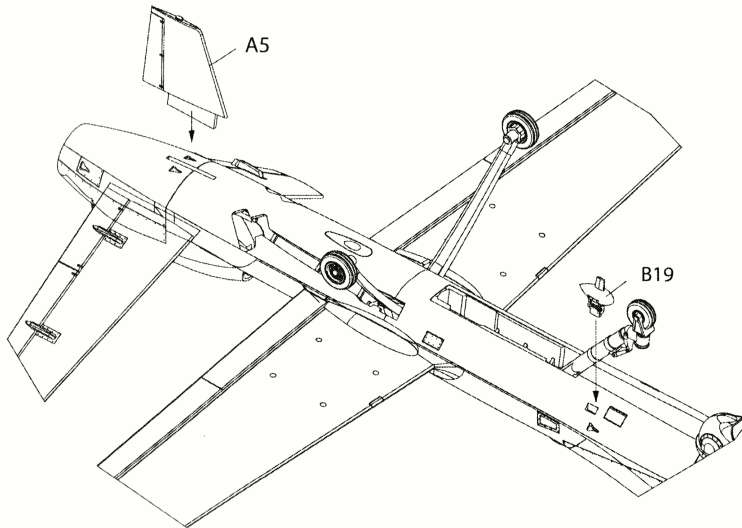
5

Landing Gear



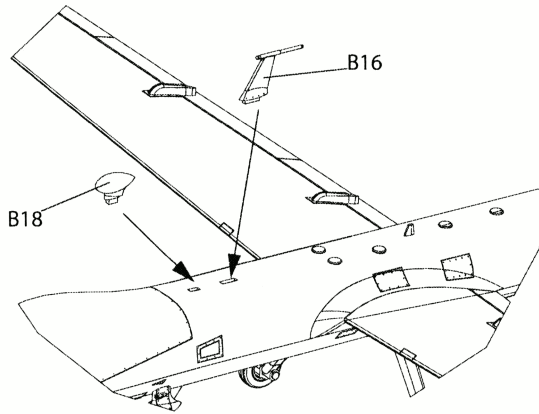
Vertical Tail

6



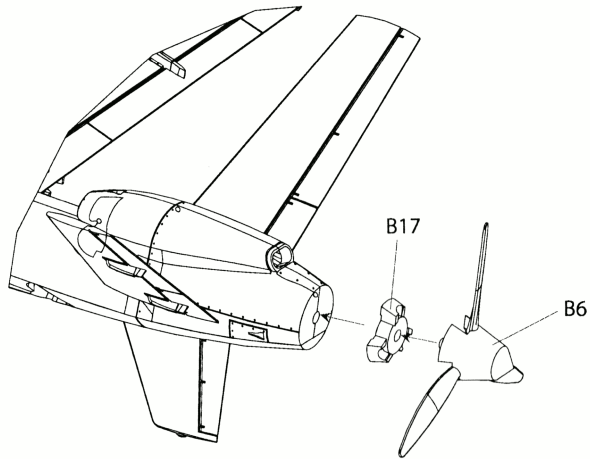
7

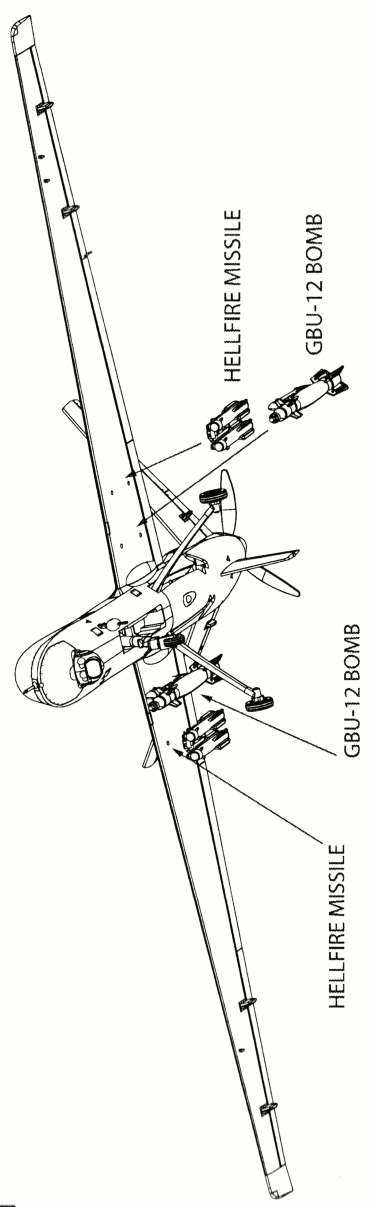
Upper Fueslage Parts



Propeller assembly

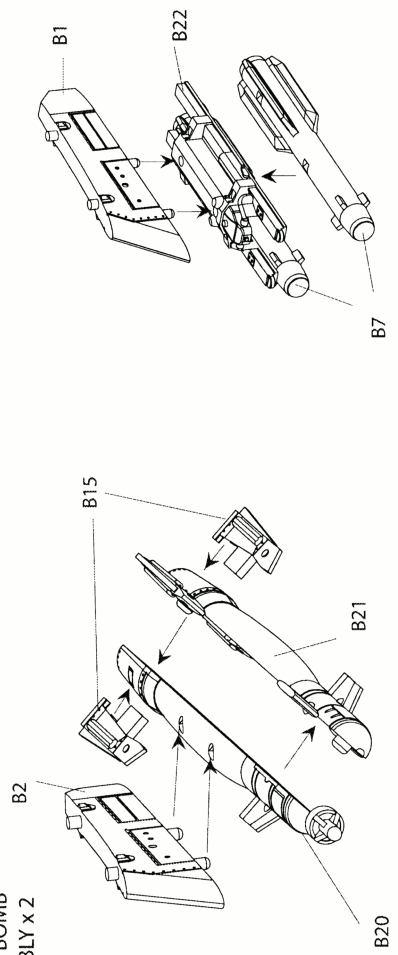
8





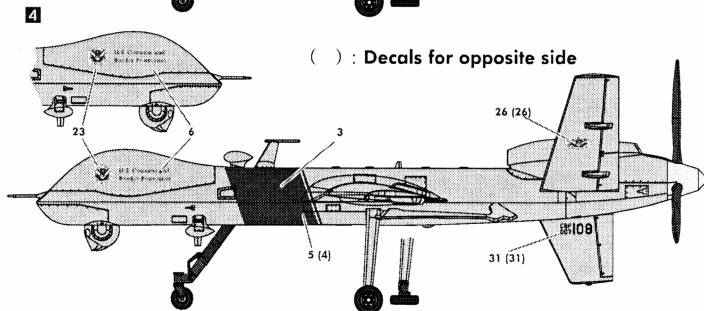
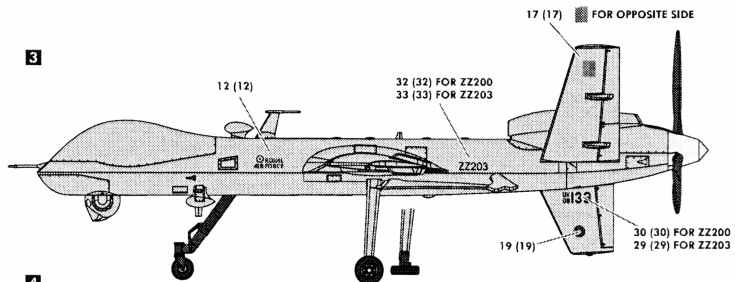
GBU-12 BOMB
ASSEMBLY x 2

HELLFIRE MISSILE
ASSEMBLY x 2

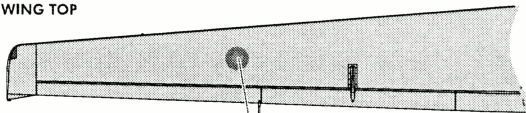


3 MQ-9 ZZ200 (EX 08-0133) / ZZ203 (EX 07-0109), ROYAL AIR FORCE, AFGHANISTAN

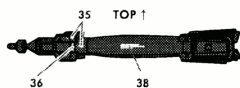
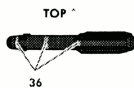
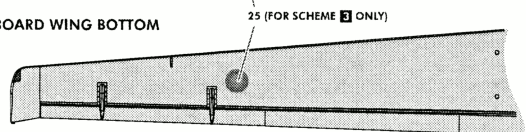
4 VMQ-9 07-0108, UNITED STATES CUSTOMS AND BORDER PROTECTION


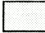





PORT WING TOP



STARBOARD WING BOTTOM



-  LIGHT COMPASS GHOST GRAY FS 36375_p (HUMBROL 127 / MODELMASTER 1428 / GUNZE 308)
-  CHROME SILVER (HUMBROL 191 / MODELMASTER 1790 / GUNZE 8)
-  TYRE BLACK
-  MATT BLACK (HUMBROL 33 / MODELMASTER 1749 / GUNZE 12)
-  OLIVE DRAB FS 34087 (HUMBROL 155 / MODELMASTER 1711 / GUNZE 304)