



Read before assembly.

组装前敬请详细阅读。



**SU-27UB** 1/48 DF324

## RUSSIAN AIR FORCE SU-27UB FLANKER C

When the SU-27 performed its "Cobra", maneuver at the 1989 Paris Air Show, the western world suddenly learned that the Su-27 design was very probably the finest fighter plane in the world. To see this very large airplane fly at an attack angle of 120 degrees without crashing, shocked every observer. Since then the routine has been performed as a demonstration feature at most air shows. Much of the SU-27's performance must be credited to its superb AL-31F engines which are rated at 12,500kg (27.55lb) thrust in after-burner stage. The engines which are easy to maintain, and interchangeable between left and right, have a tremendous tolerance to severally disturbed air flow. It is this feature that allows the engines, the AL-3F engines have a life of 3,000 hours based on 100 hour engine checks and 1,000 hour over-hauls. This is fully comparable to the best the west can offer. Armed with four R-73 AA-73 archer missiles for short range combat and an array of R-27 IR-homing long range missiles, the SU-27 also carries the same internal GSH-30-1 30mm cannon used by the MIG-29. Firing at a rate of 1,500 rounds per minute, the cannon barrels only have a life expectancy of 90 seconds before they must be replaced. The SU-27 Flanker B, together with the MIG-29 give Russian air combat capability that is certainly equal to but most likely superior to that presently available to the west.

## 俄罗斯空军苏-27UB“侧卫”C战斗机

当苏-27在1989年巴黎航展中表演“眼镜蛇机动”时，西方世界突然意识到苏-27的设计可能是世界上最好的战斗机设计。当看到这架巨型飞机以110°的仰角飞行而不失速坠毁时，在场观众都为之震惊。从那以后，这种表演成为苏-27在大多数空中表演中的一种常规动作。

大部分苏-27的表现是由于它先进的发动机而被肯定，这种AL-31F发动机在其燃烧后的一段时间里仍有12,500千克的推力。其左右发动机都很容易维护和相互转换，而且它能够适应个别不平稳的气流。正是由于这种特征，当苏-27表演这种不是普通的机动操纵表演时，它的引擎仍可以运转平稳。不同于早期寿命较短的苏联喷气式引擎，苏-27的AL-31F引擎在经过了100小时的使用后和1,000小时维修的基础上有3,000小时的寿命，它可以与西方所能提供的最好的引擎相比拟。

由4个近程的R-73、AA-73“弓箭手”导弹和相同一组的（四个）R-27红外制导远程导弹装备的苏-27也能携带同样由MIG-29使用的俄制30毫米，每分钟可发射1,500发的Gsh-30-1式机炮，此炮不换炮管的平均寿命为80秒。

苏-27“侧卫”B和MIG-29一起使俄国的空战能力超过西方目前的水平成为可能。



Please get the useful tools ready. Remove parts from frame with a pair of scissors and trim away excess plastic. Do not pull off parts. Use cement sparingly to avoid damaging the model. please tear the plastic bag of this product to avoid children putting their heads into the bag. Do not put the parts into your mouth.

使用工具应小心，注意安全。用模型剪从注塑片中取出零件，修去多余料头及飞边，勿拔取零件。使用模型胶勿过量，不得近火源。商品的空袋为了不让小孩套在头上请撕掉。禁止把零部件含入口中。



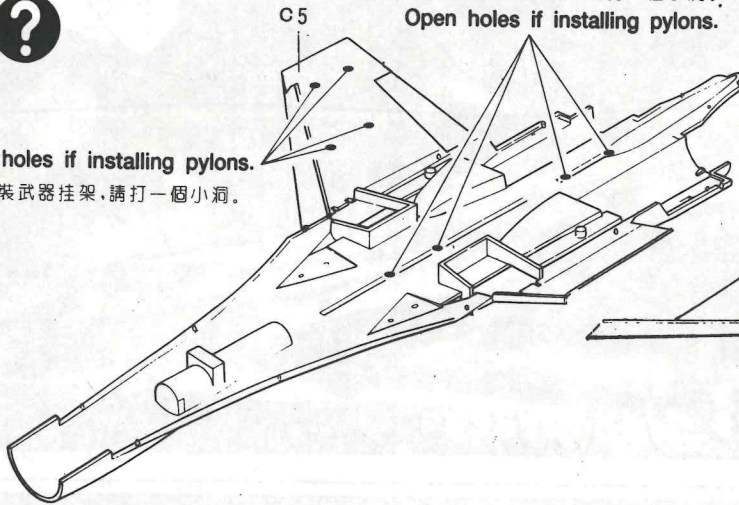
# 1 LOWER FUSELAGE HALF PREPARATION

機身下面半個部分的準備

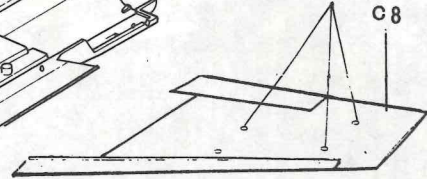


Open holes if installing pylons.  
如果安裝武器掛架，請打一個小洞。

如果安裝武器掛架，請打一個小洞。  
Open holes if installing pylons.

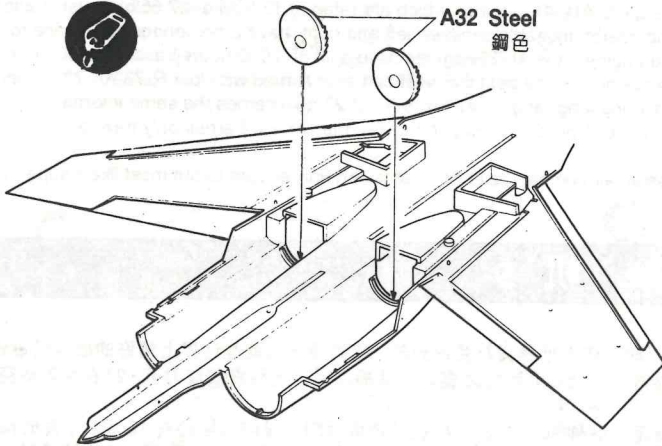


如果安裝武器掛架，請打一個小洞。  
Open holes if installing pylons.



# 2 FAN BLADE INSTALLATION

渦扇裝置

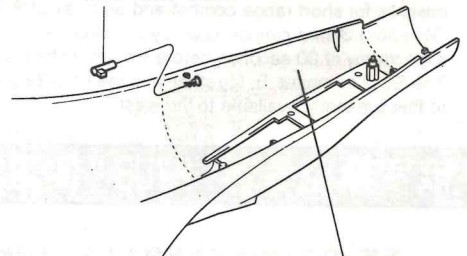


# 3 UPPER FUSELAGE HALF PREPARATION

機身上半部的準備



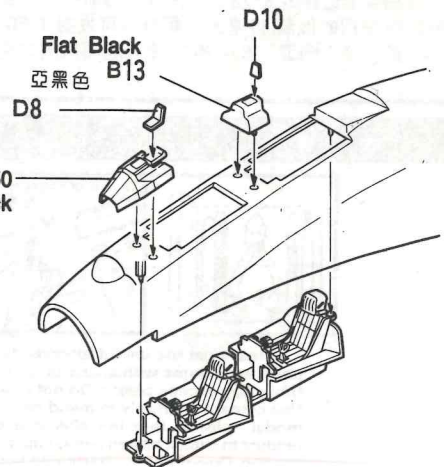
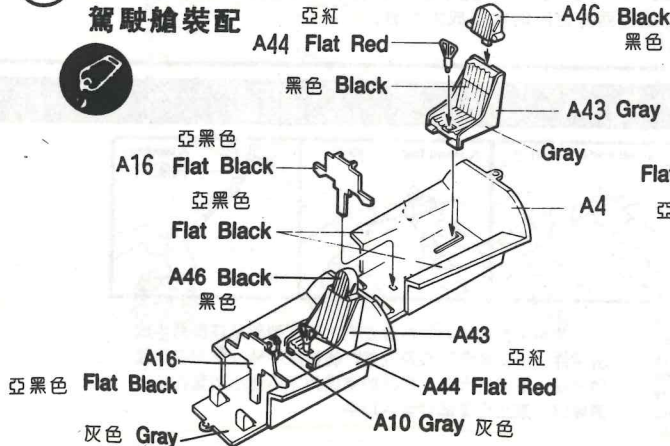
炮銅色(或鐵灰色、青銅色)  
A33 Gun Metal



Interior Color: Gray  
內部的顏色 灰色

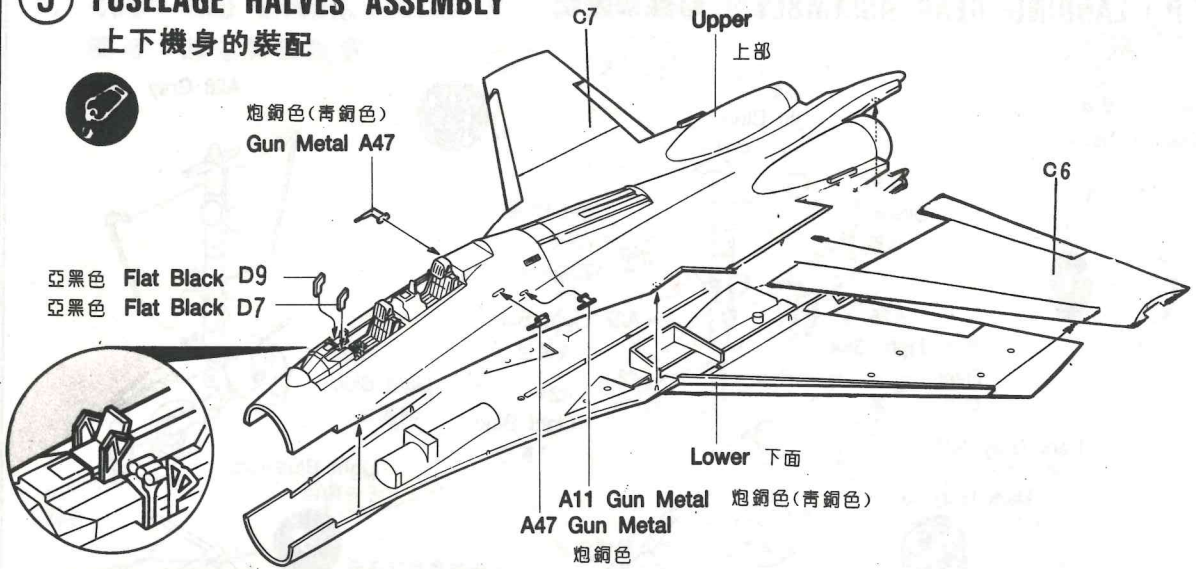
# 4 COCKPIT ASSEMBLY

駕駛艙裝配



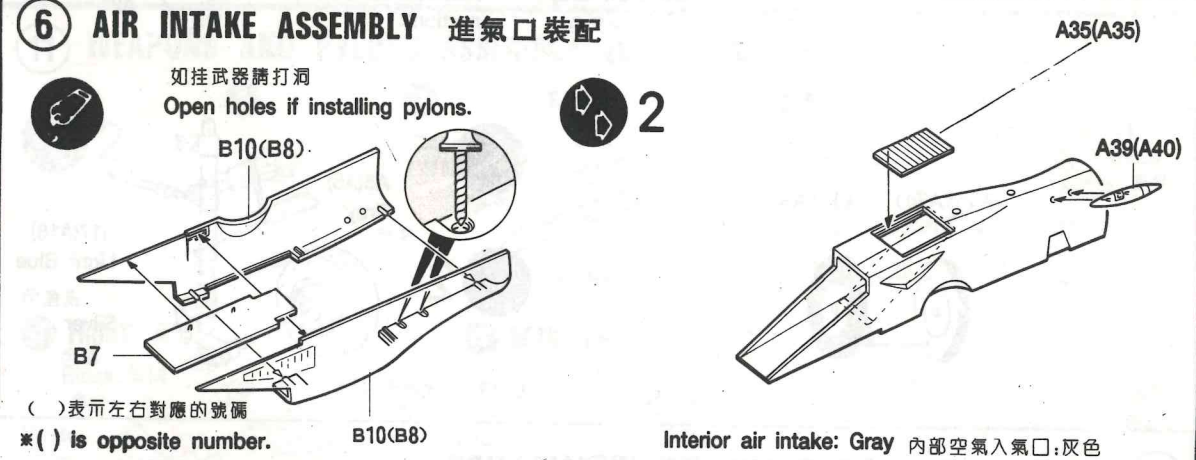
**5 FUSELAGE HALVES ASSEMBLY**

上下機身的裝配



**6 AIR INTAKE ASSEMBLY 進氣口裝配**

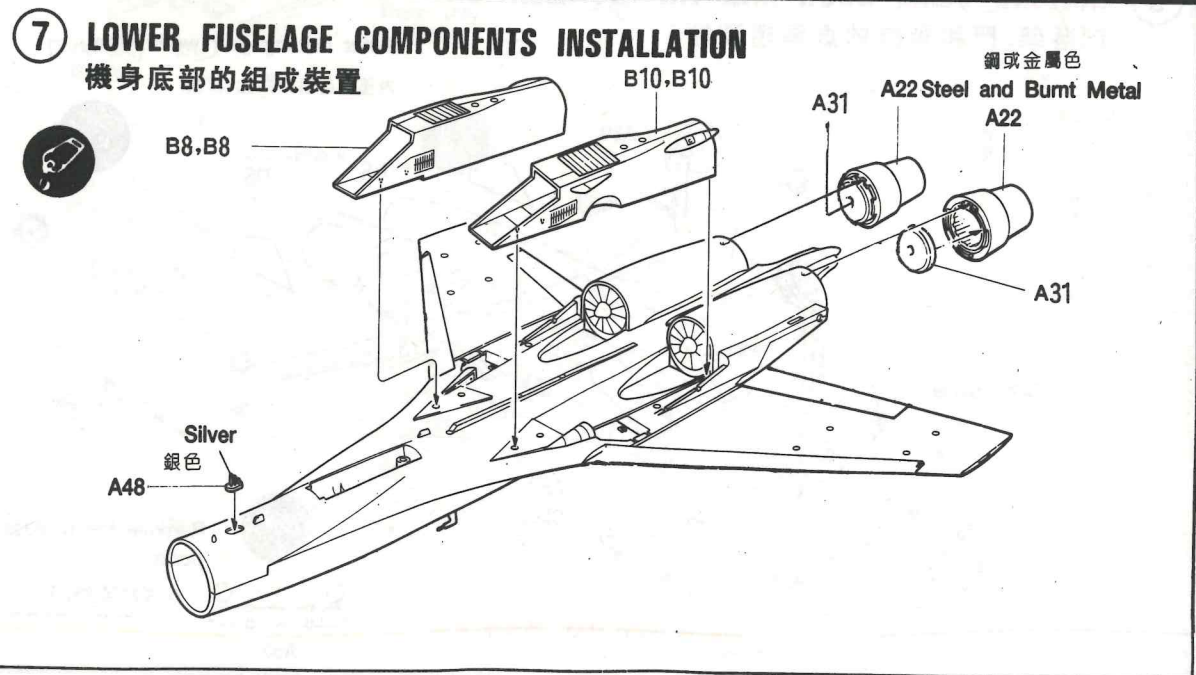
如挂武器請打洞  
Open holes if installing pylons.



( ) 表示左右對應的號碼  
\* ( ) is opposite number.

**7 LOWER FUSELAGE COMPONENTS INSTALLATION**

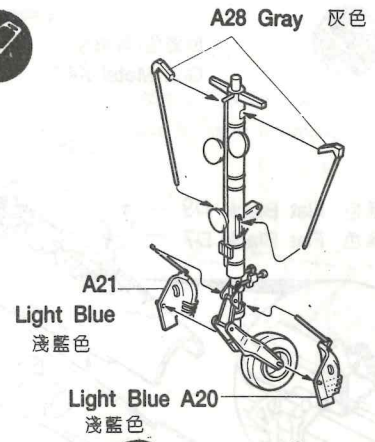
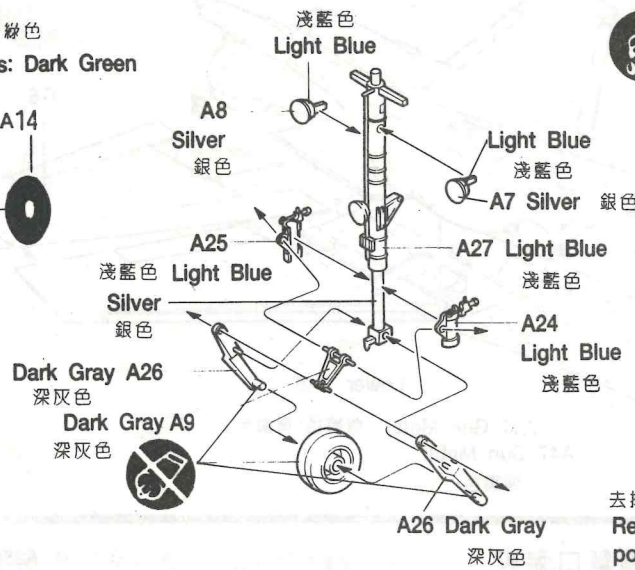
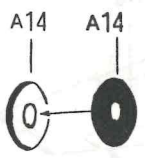
機身底部的組成裝置



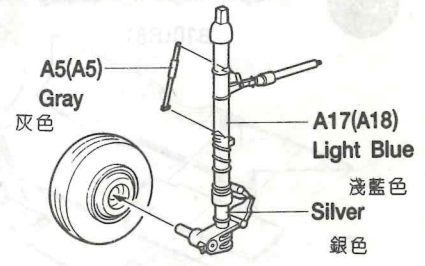
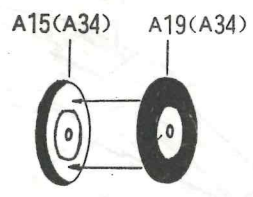
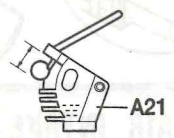


# 8 LANDING GEAR ASSEMBLY 起落架裝配

輪軸 墨綠色  
Wheel hubs: Dark Green



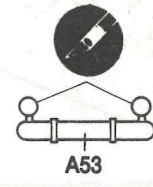
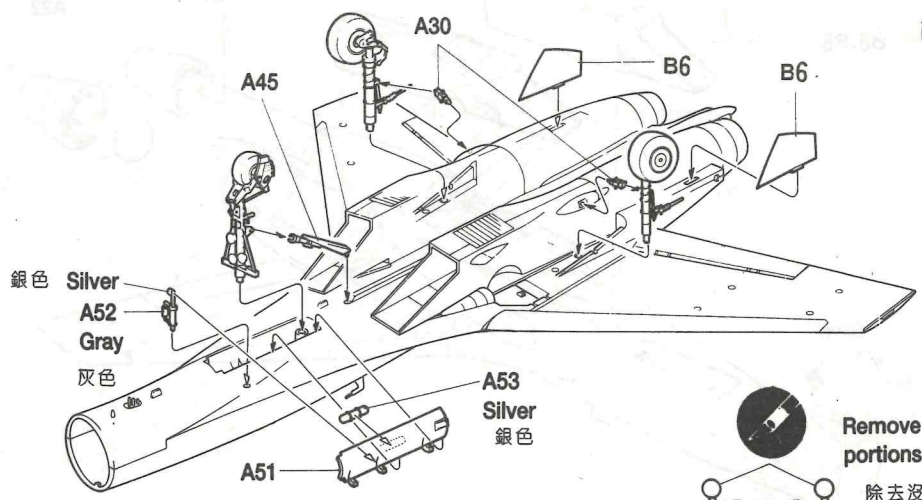
去掉無用的部分  
Remove the useless portions.



# 9 LANDING GEAR, DOOR AND FIN INSTALLATION 起落架、門和飛機的直尾翅裝置

起落架、門和飛機的直尾翅裝置

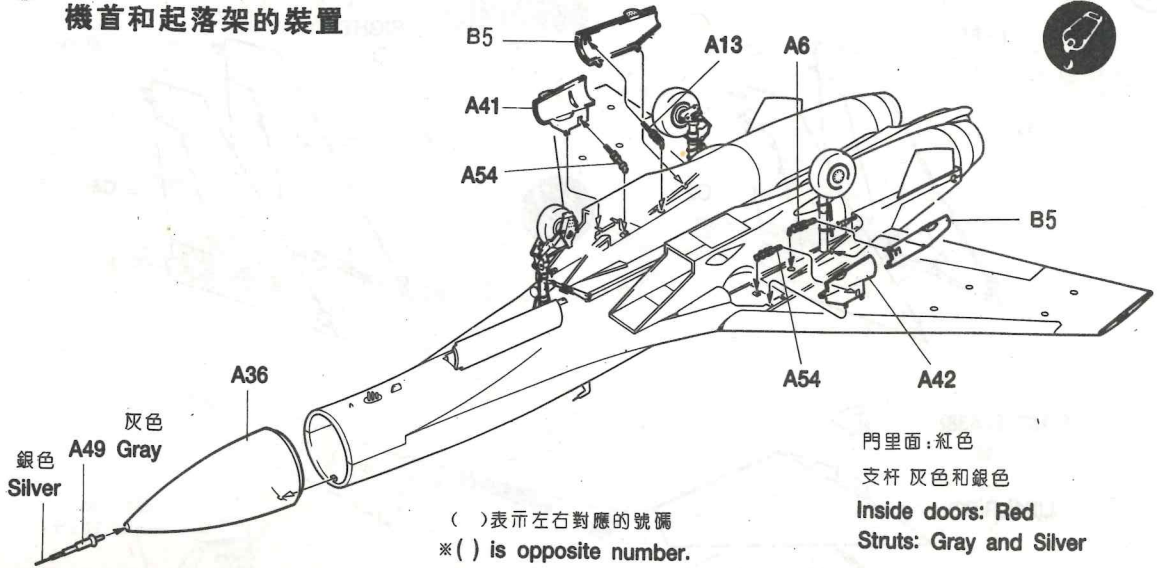
Interior landing gear wells: Gray  
內部的起落架井孔: 灰色



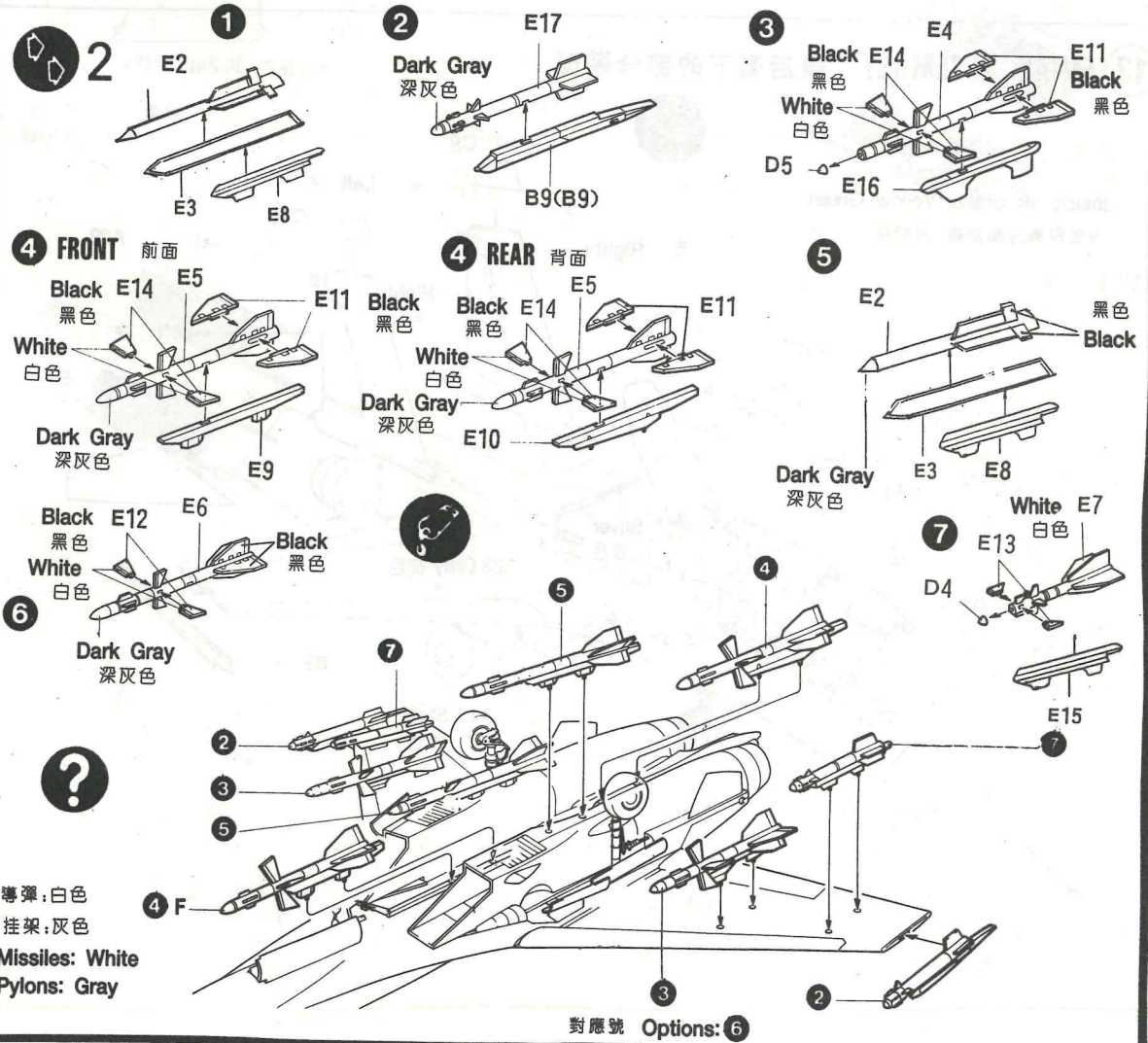
Inside door: Red 門里面: 紅色

# 10 NOSE AND LANDING GEAR DOOR INSTALLATION

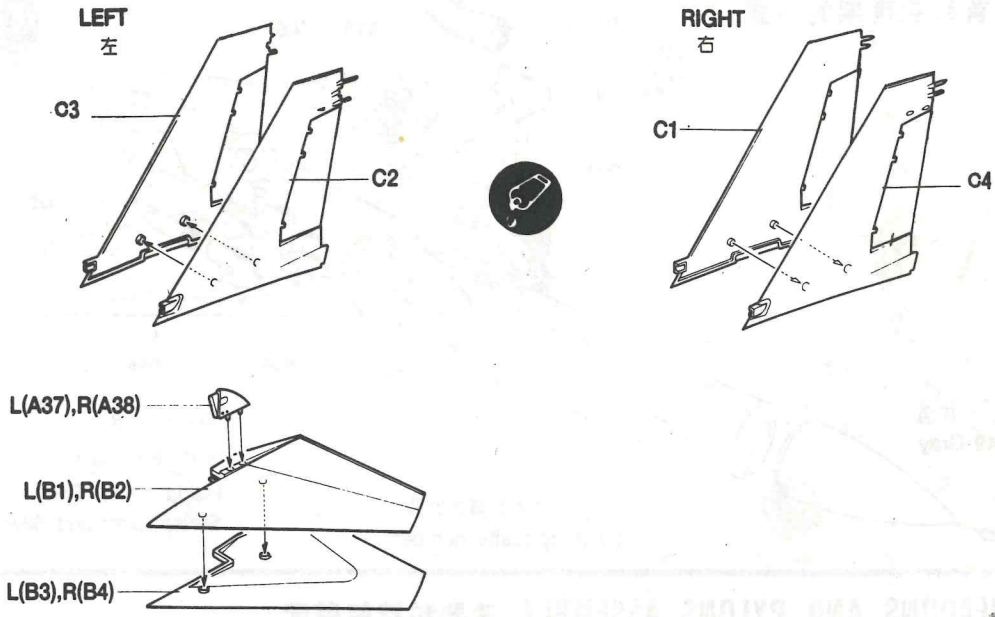
機首和起落架的裝置



# 11 WEAPONS AND PYLONS ASSEMBLY 武器和挂架裝配

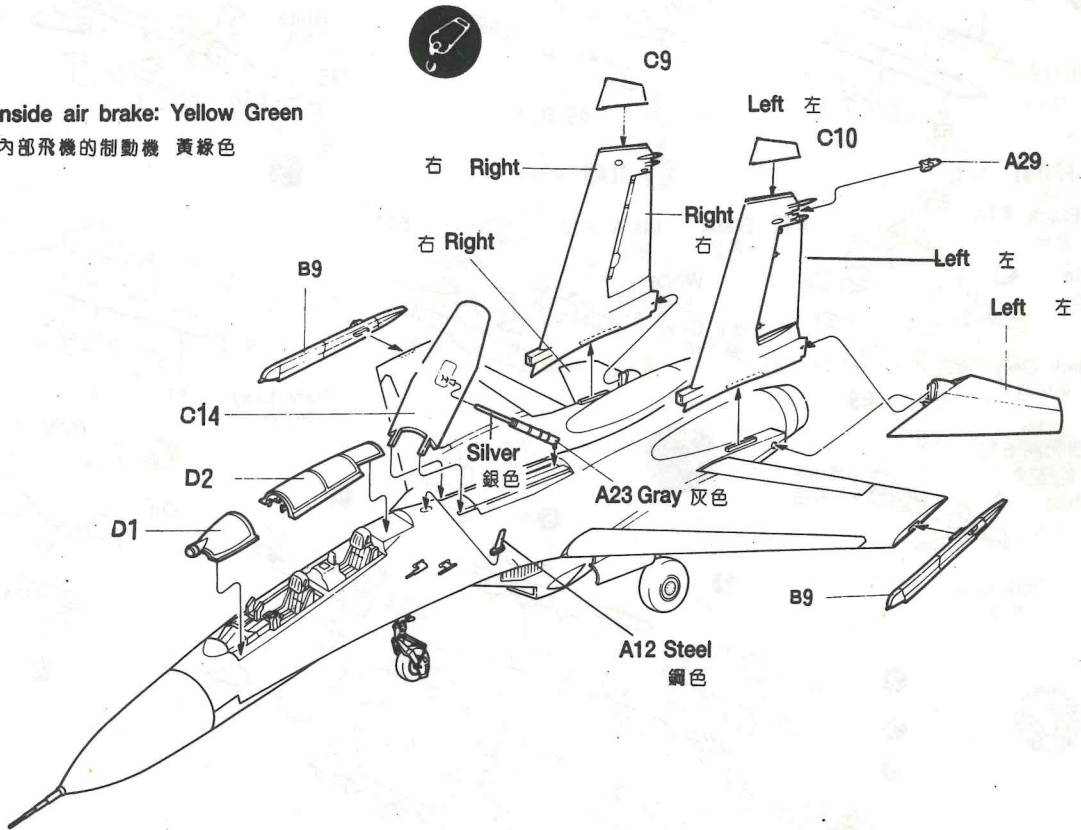


**12 RUDDER AND ELEVATOR ASSEMBLY 方向舵和升降舵的裝配**



**13 FINAL ASSEMBLY 最后剩下的部分裝配**

Inside air brake: Yellow Green  
 內部飛機的制動機 黃綠色





PAINTING AND DECAL PLACEMENT

涂色指導

WHITE F.S.17778  
白色 F.S. 17778

白色 F.S. 17778  
White F.S.17778

STEEL  
鋼色

DARK BLUE F.S.25450  
NICHE NO. 7706  
深藍色 F.S. 25450

BLUE GRAY F.S.25526  
NICHE NO. 7707  
藍灰色 F.S. 25526

LIGHT BLUE F.S.25550  
NICHE NO. 7708  
淺藍色 F.S. 25550

●RIGHT 右

藍灰色 F.S. 25526  
Blue Gray F.S.25526

White F.S.17778  
白色

White 白色  
F.S.17778

●UPPER  
頂部

White F.S.17778  
白色

●RIGHT INSIDE 右邊內部

鋼和發光的金屬色  
Steel & Burnt Metal

●LEFT  
左

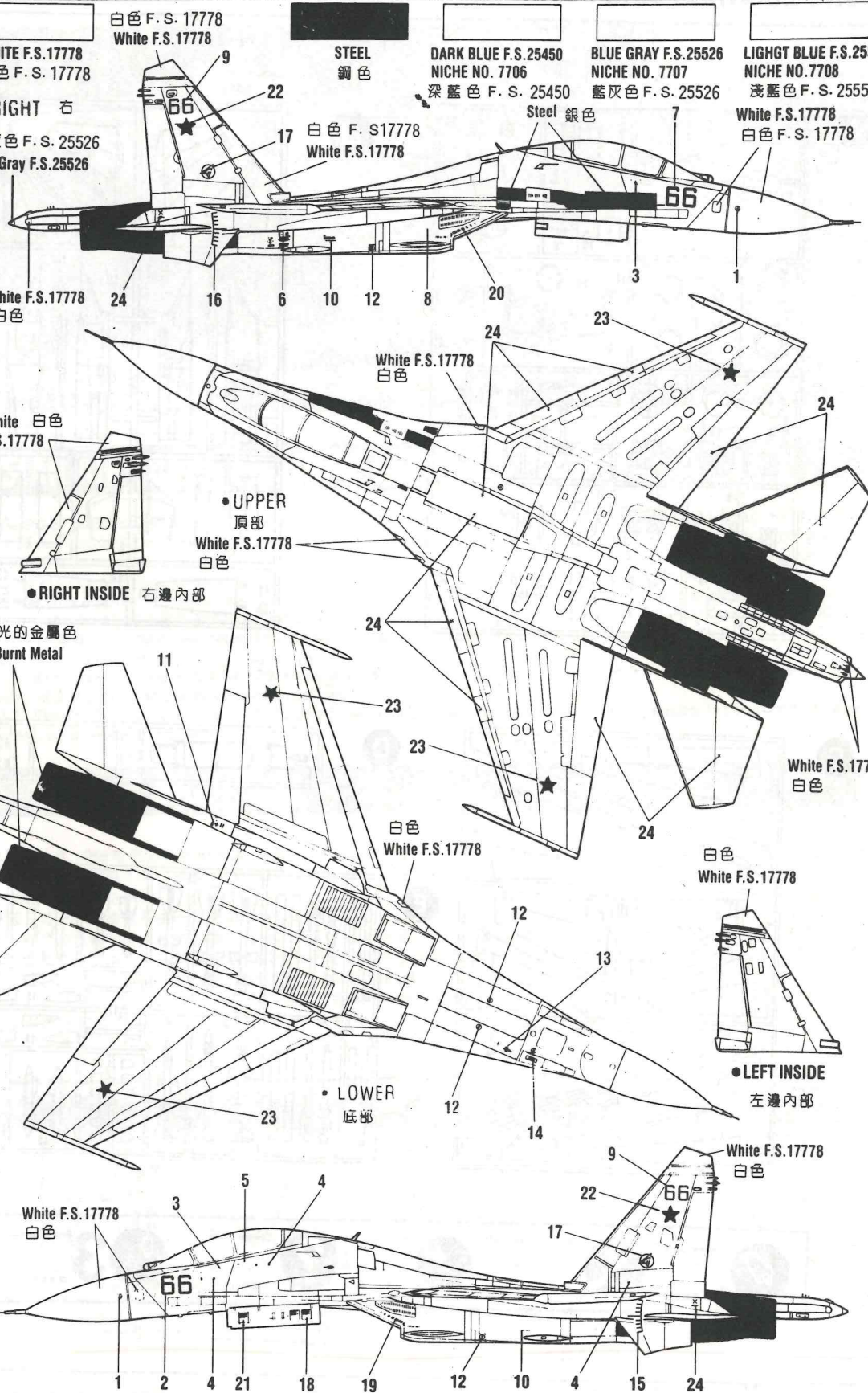
White F.S.17778  
白色

White F.S.17778  
白色

●LEFT INSIDE  
左邊內部

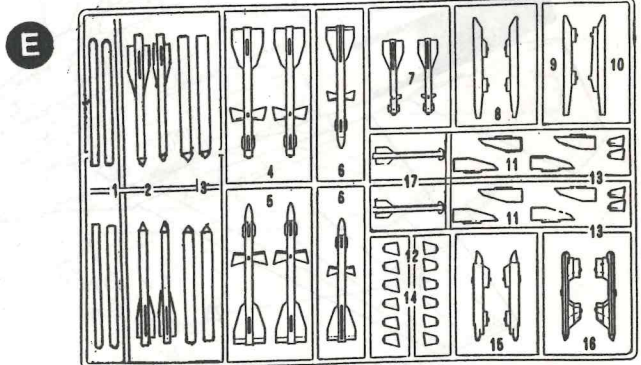
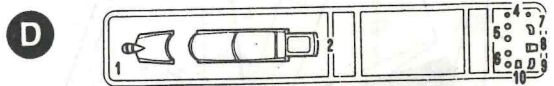
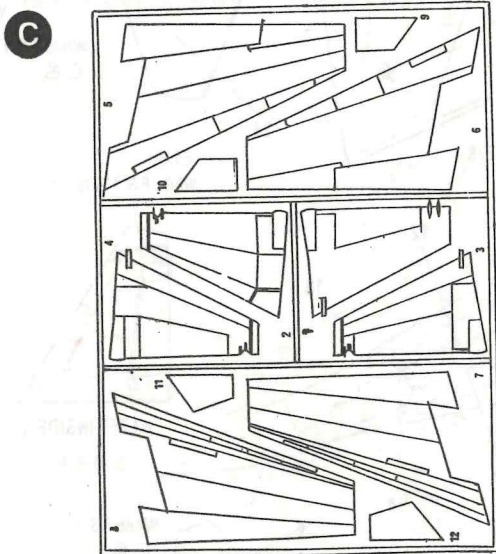
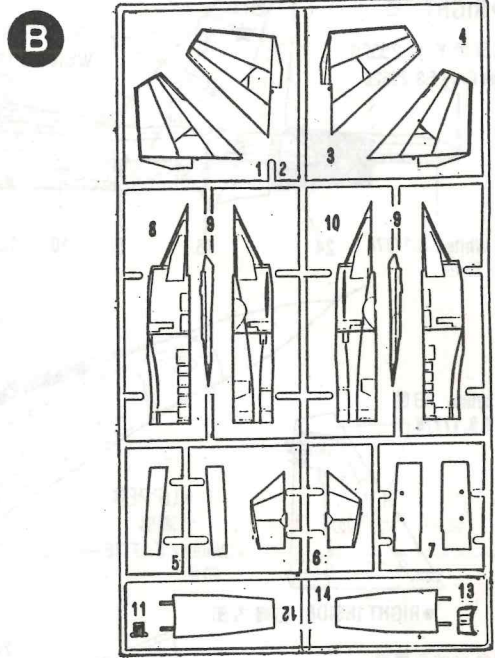
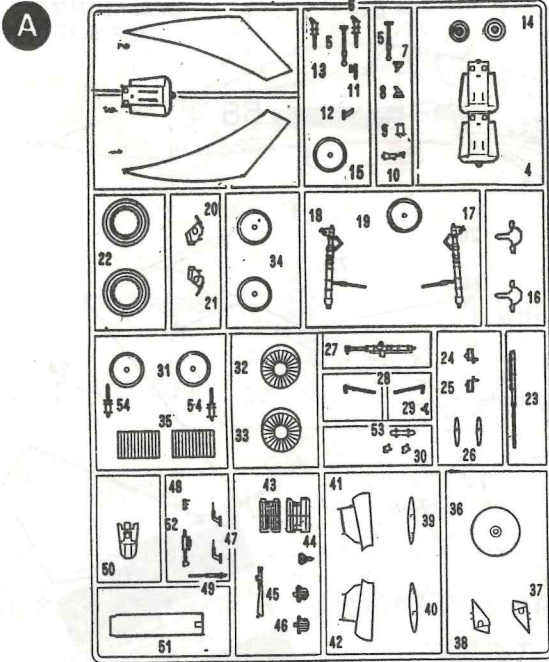
●LOWER  
底部

White F.S.17778  
白色



PARTS LOCATING DIAGRAM

部件位置的圖解



	Cement parts 用接合劑粘接的部分		Do Not cement parts 不膠膠		Cut Away 削去		Optional Parts 可選擇的部分		Repeat operation 重複操作
--	---------------------------	--	----------------------------	--	----------------	--	--------------------------	--	--------------------------