

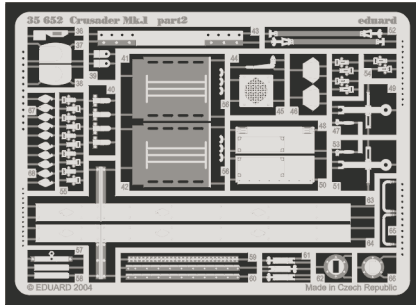
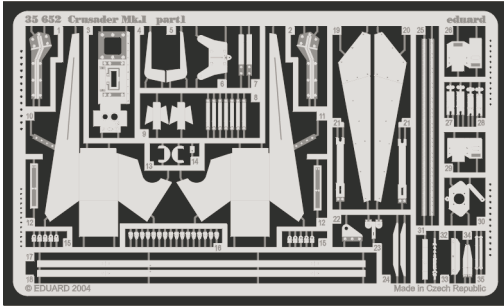


Crusader Mk.I

eduard

35 652

1/35 scale detail set for Italeri kit No.6432 • sada detailů pro model 1/35 Italeri No.6432



- APPLY EXPRESS MASK AND PAINT BEFORE GLUING POUŤ IT EXPRESS MASK NABARVIT PRED SLEPENIM
- SYMMETRICAL ASSEMBLY SYMETRICKÁ MONTÁ
- REMOVE ODSTRANIT
- GRIND OBROUSIT
- DRILL HOLE VRTAT OTVOR
- BEND OHNOUT
- OPTION VOLBA
- REPLACE NAHRADIT

35 652 Crusader I

Print

35 652 Crusader Mk.I

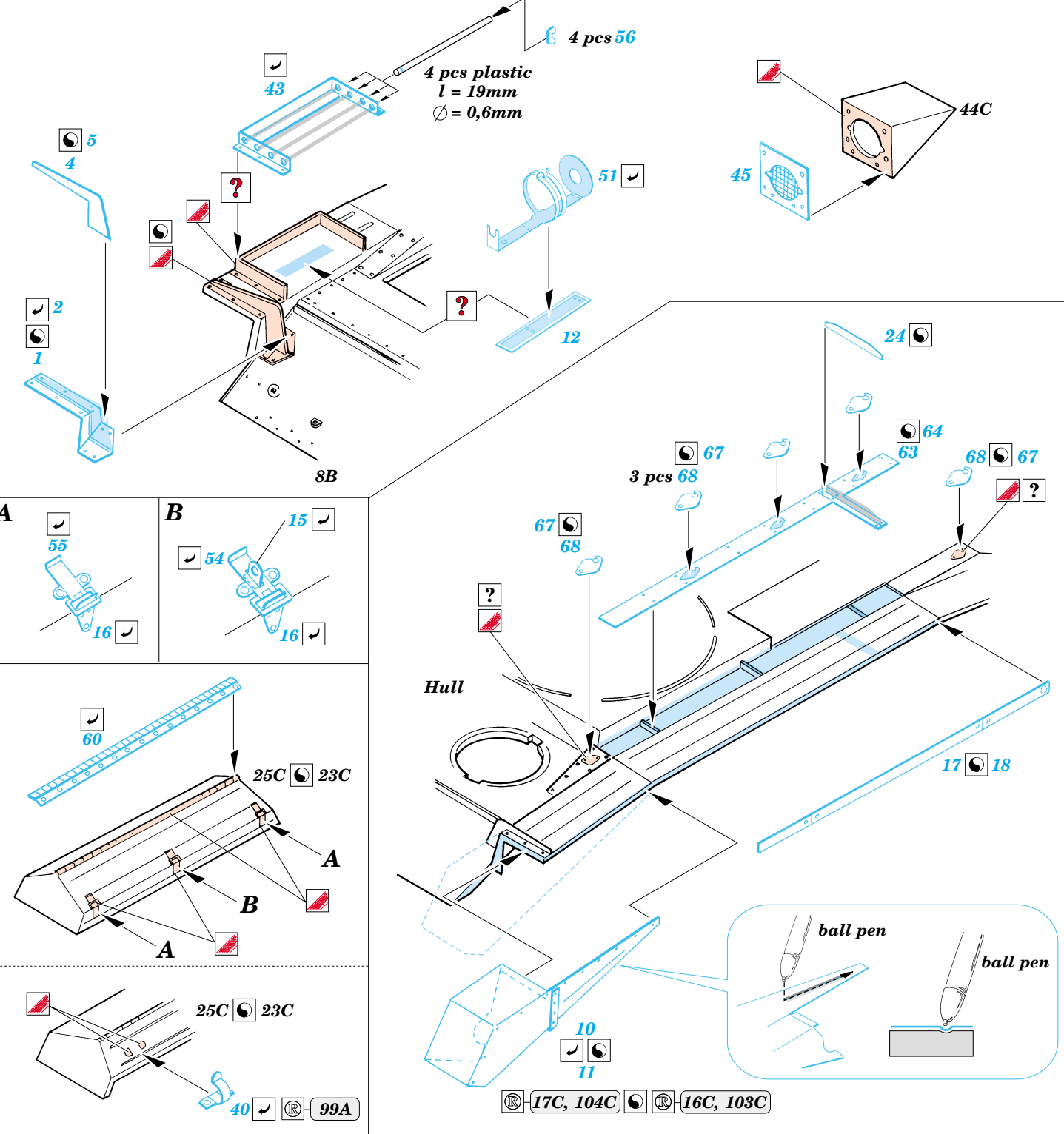
Film

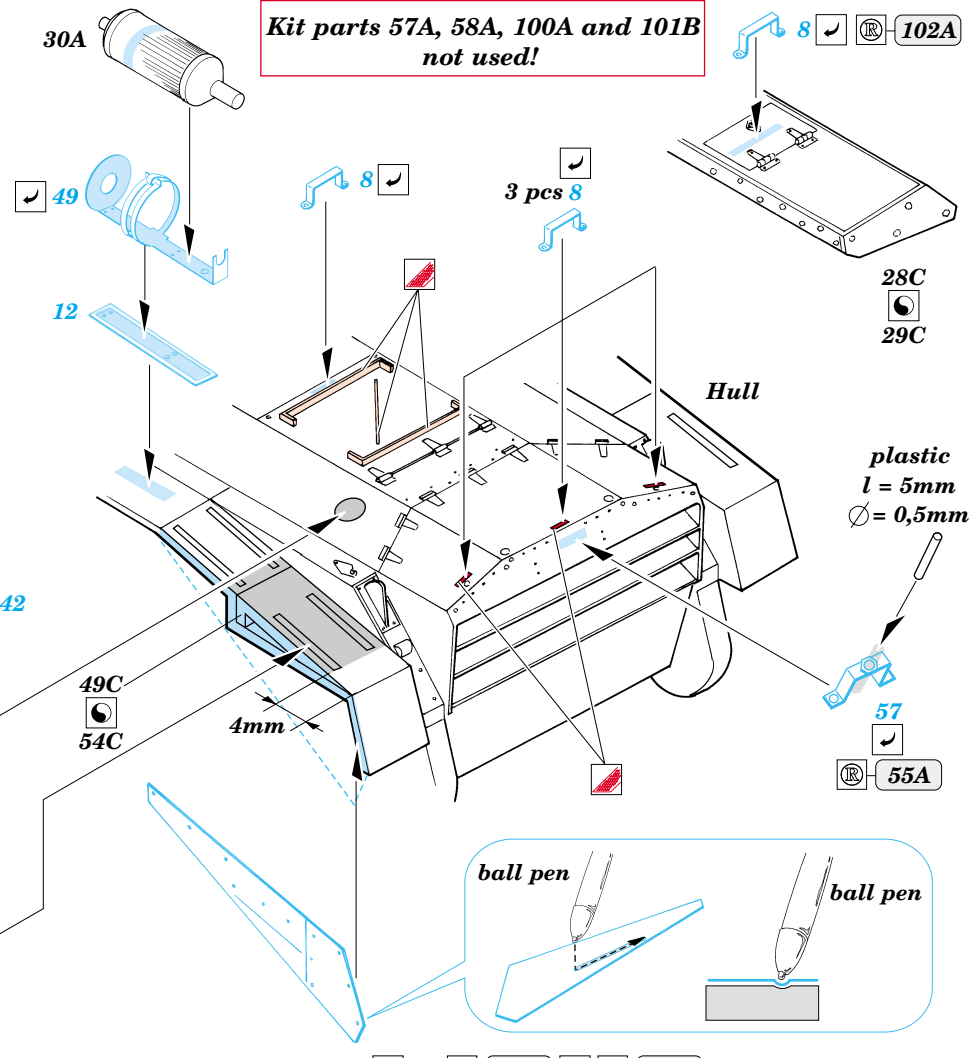
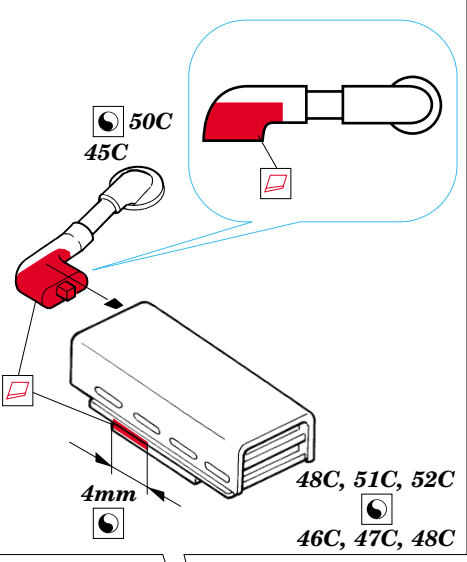
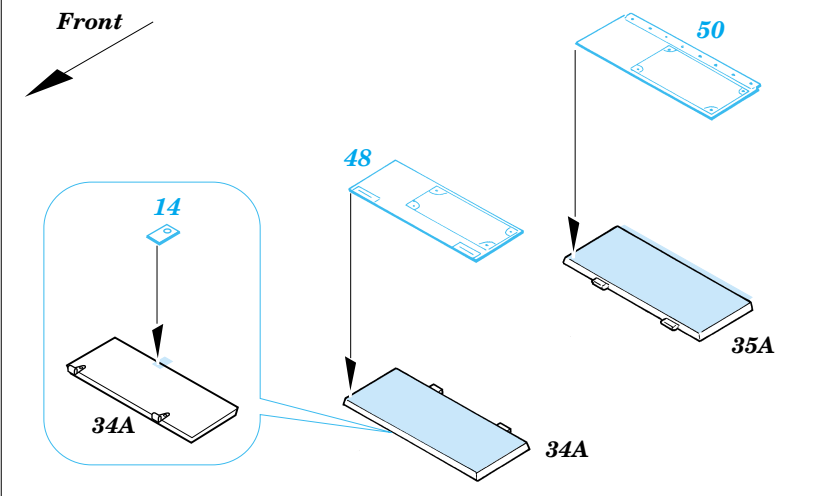
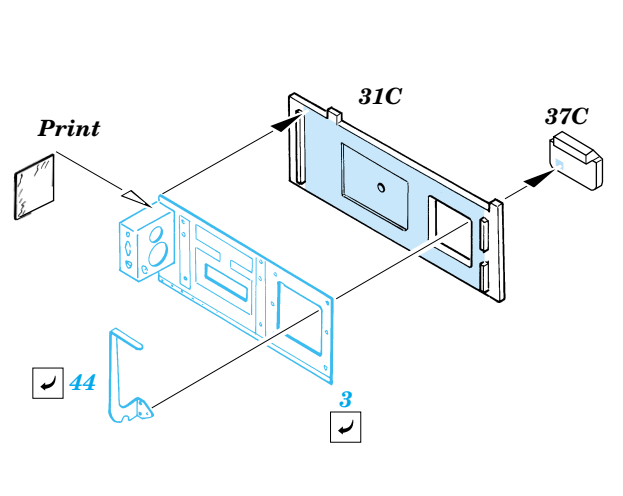
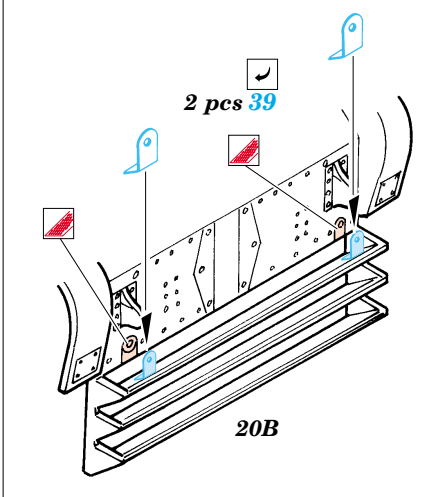
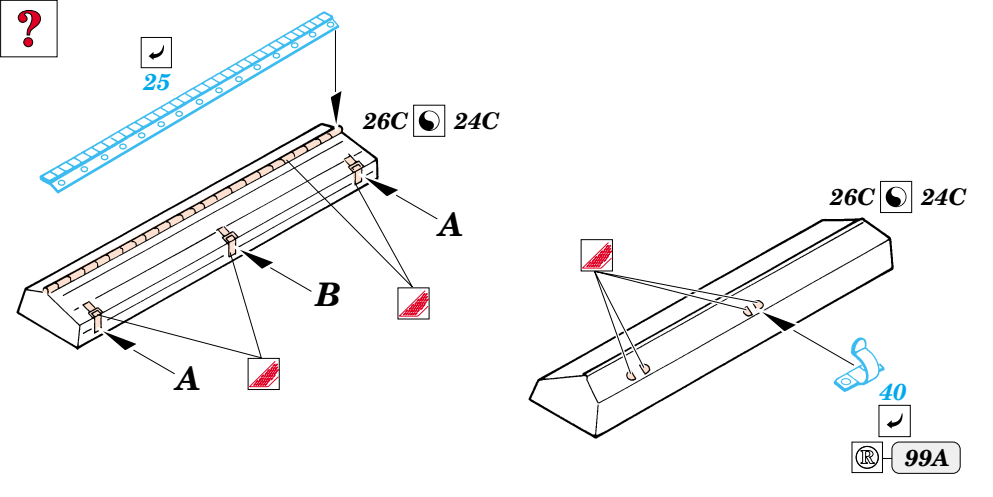
ORIGINAL KIT PARTS PŮVODNÍ DÍLY STAVEBNICE

PHOTO-ETCHED PARTS LEPTANÉ DÍLY

PARTS TO BE REMOVED DÍLY K ODSTRANĚNÍ

FILL TMLIT

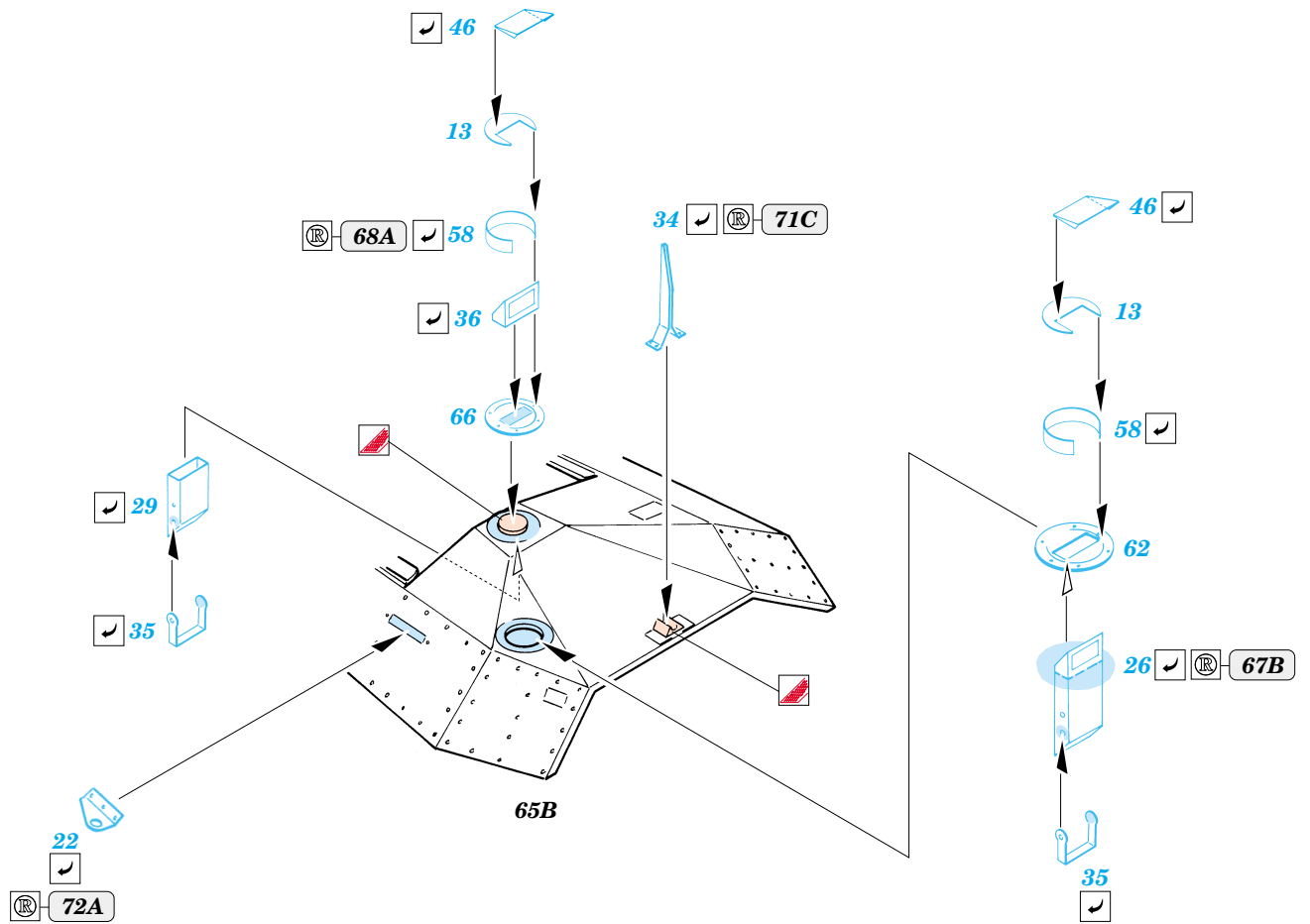
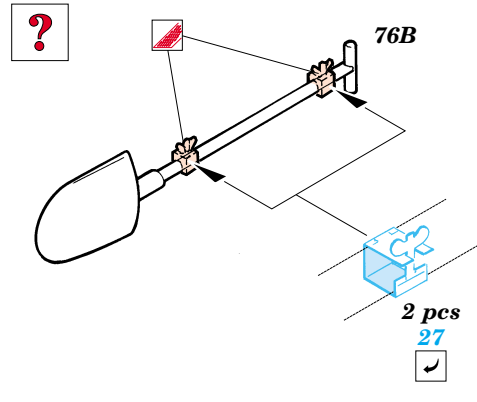
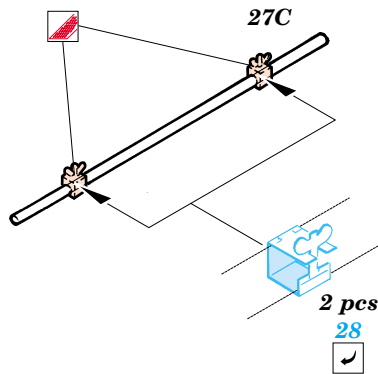
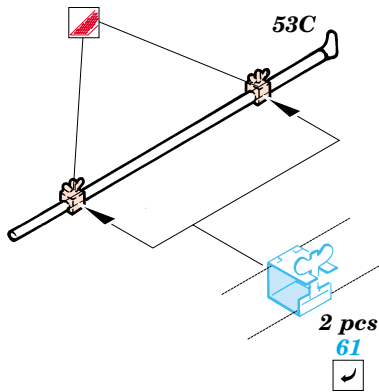
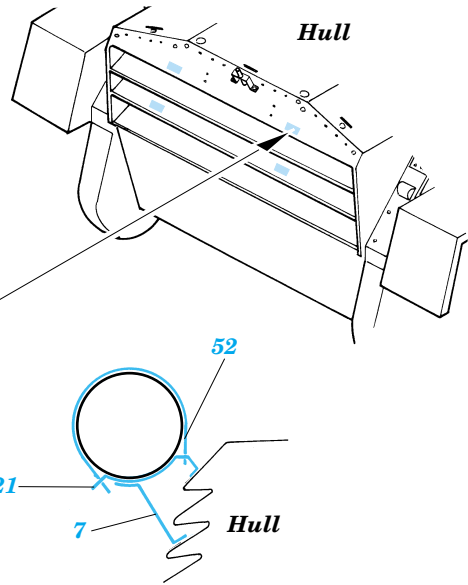
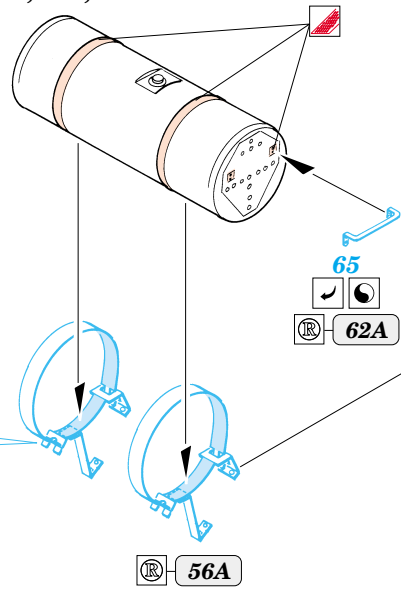
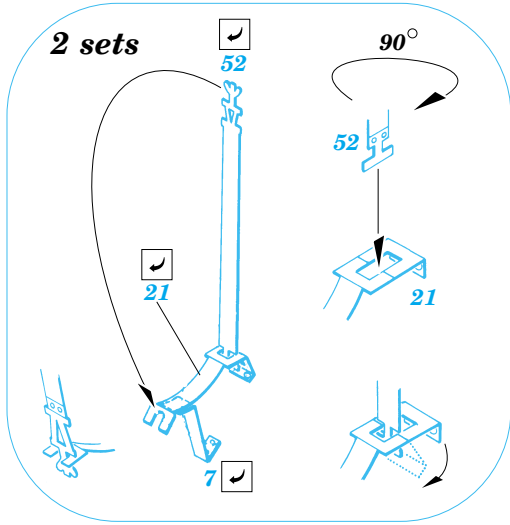


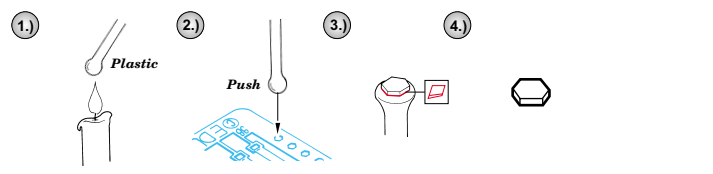
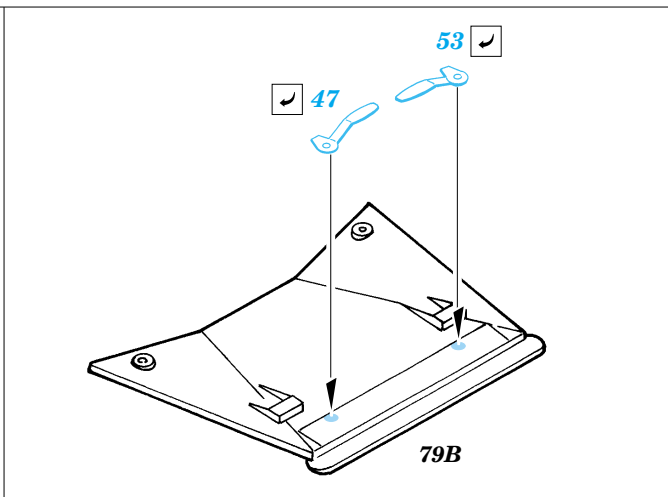
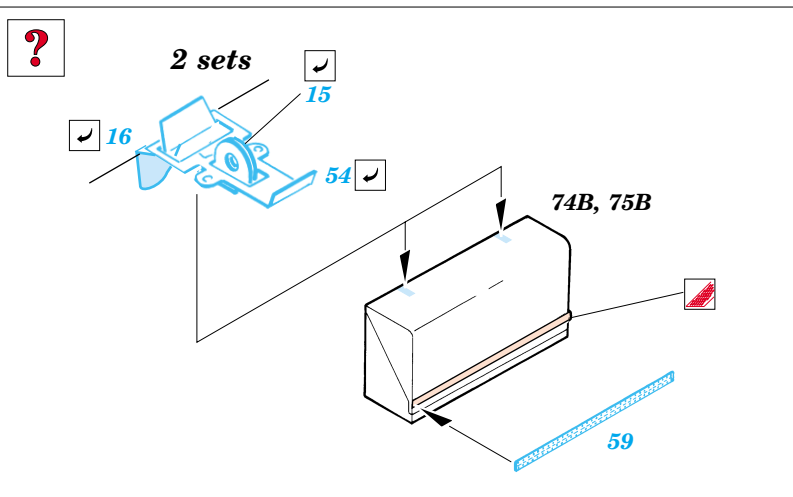
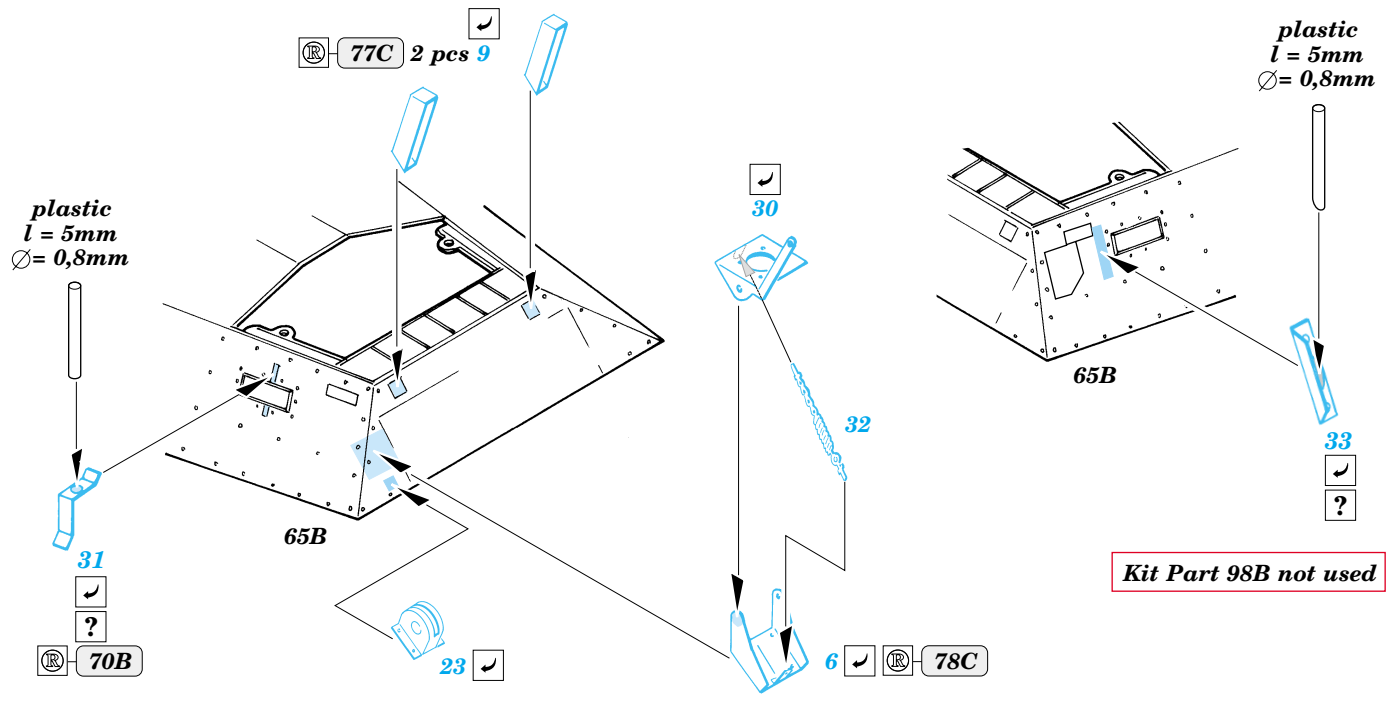


Kit parts 57A, 58A, 100A and 101B not used!

Correct position

59C, 60C, 61C





References : Osprey Military NW 14 - Crusader 1939-1945
 Milit. Vehicle Workshop Series No. 06 - Crusader
 Armor PhotoGalery No.6 : Crusader
 Ground Power 1/2001

For futher detail sets look for eduard 35 661 Crusader Mk.I fenders (not included in this set)

