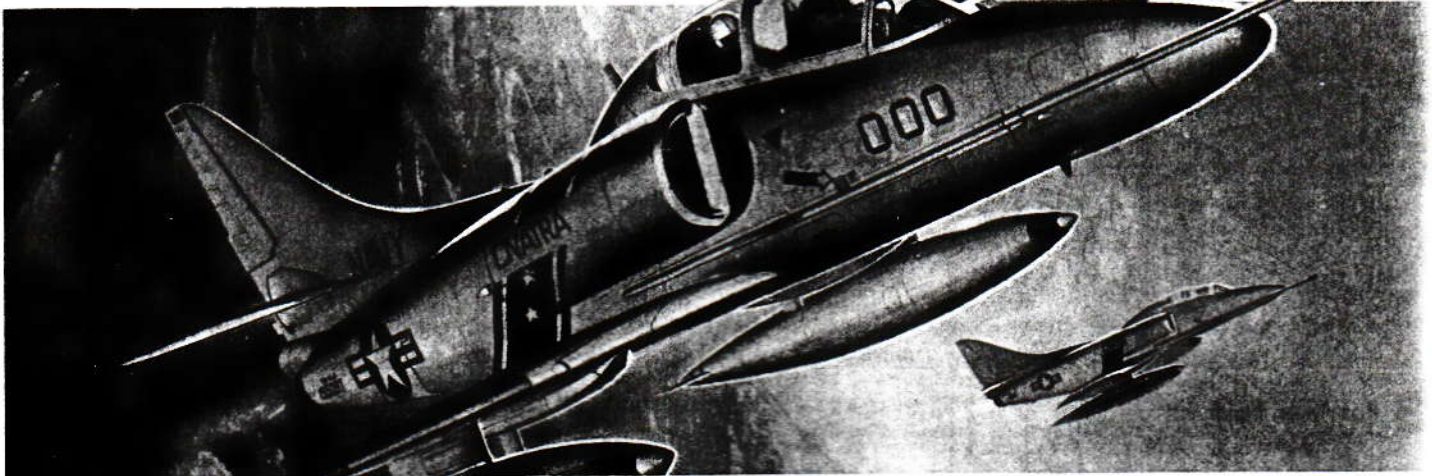


S TA-4J SKYHAWK TRAINER



1/72 Scale Series
DOUGLAS TA-4J SKYHAWK TRAINER



TA-4J SKYHAWK TRAINER

The A-4 Skyhawk has maintained its position of the first-class carrier-borne attacker in the U.S. Navy for more than twenty years since its prototype XA4D-1 successfully made the first flight on 22 June 1954. Some 3000 Skyhawks of various versions including export models have been built so far, and the production is still kept on today.

The tandem two-seat trainer version of this Skyhawk was the TA-4, with 0.71m longer front fuselage. The first model, designated as TA-4E, was developed in 1965, remodeled the A-4E to an advanced trainer that would replace the TF-9J Cougar. Powered-up by a P&W-J52-P-8A engine, it was the first Skyhawk to mount zero-zero ejection seat that would allow the pilot to escape from the plane even at zero altitude and zero speed flight, and equipped with additional main wing spoilers and nosewheel steering. These equipments mounted on the TA-4E were succeeded to the later improved versions with no modification. The first TA-4E

prototype flew for the first time in June 1965 and re-designated as TA-4F when its production type was completed in the same structure as the single-seated A-4F.

The first flight of the TA-4F production type took place in April 1966 and its delivery was taken by VA-125 in next May.

Provided with electronical system and provisions to carry full range of weapons available for the A-4F, the TA-4F was used not only for training purpose but also in real combat as it served as a FAC (front airplane control) plane or a naval bombardment spotter plane in the Vietnam war.

The TA-4J was basically similar to the TA-4F, although it was quite a trainer with no radar, bombing system nor a 20mm machine gun (provision retained). Therefore, firearms control systems, such as air-to-air/air-to-ground missile launching system, were deleted and weapon stations reduced to three on this airplane. The first prototype flew in May 1969 and its production type was delivered to the U.S.

Naval Air Advanced Training Command in next June.

Since then the TA-4J has been the first trainer that any of the U.S. Navy carrier pilot should fly once at least. It has also been used as the seventh plane (reserve plane) of the U.S. Navy flight demonstration squadron "Blue Angels" since 1974 when the plane model was changed from the F-4J Phantom to the A-4F Skyhawk. The seventh plane, flown by the pilot acting as a narrator at the show and the man charging in public relations, has been engaged in inspection of the expected demonstration flight area, communication and publicity services.

DATA

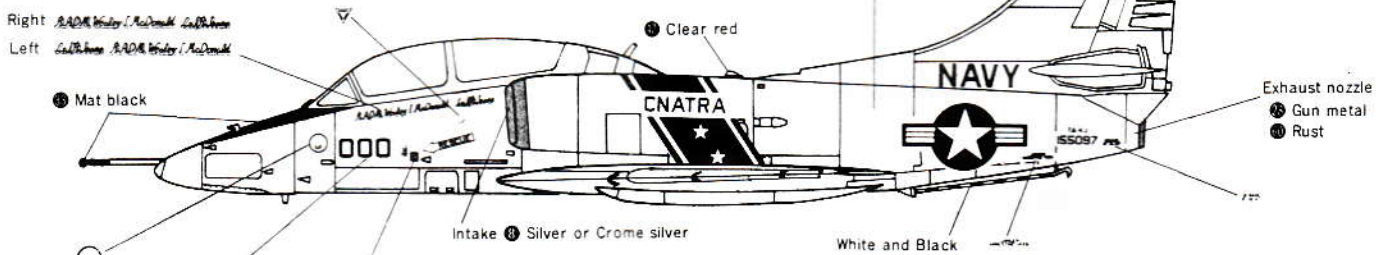
Power plant: P&W J52-P-6/8 engine (through 3,855/4,220 kg x 1), Span: 8.38 m, Length overall: 12.98 m, Height overall: 4.6 m, Wing area: 24.2m², Weight: 7,220 kg, Max. speed: M=0.87, Cruising range: 1,333 km, Crew: Equipped with no armament (provision for 20mm machine gun retained)

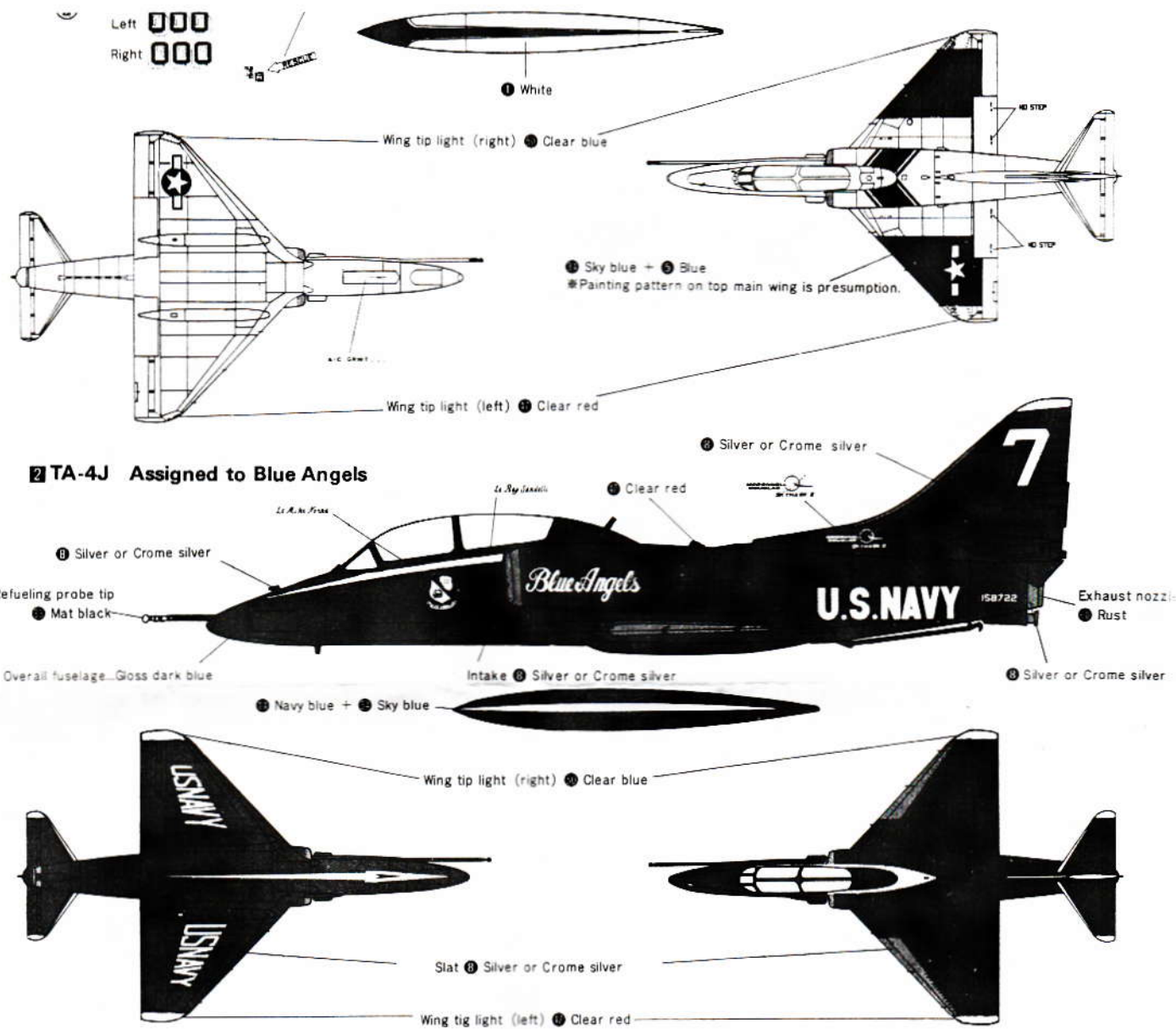
Marking & Color Painting Guide

TA-4J NATRA

Pilot: Commander W. McDonald

Right: AADM/White/McDonald/Saltzman
Left: Saltzman/AADM/White/McDonald





COLOR PAINTING OF TA-4J SKYHAWK TRAINER

Color painting of TA-4J Skyhawk Trainer which is adopted by NATRA is as follows; both top and bottom fuselage are painted in white, intake is in silver, and letters are in blue or blue and yellow shadow. Color painting of top main wing is presumption. Overall fuselage of Blue Angels is painted in gloss dark blue. Gear well, gear strut and wheel are painted in white. Intake, slat and the front edge of each tail wing are in silver. And each wing tip is in yellow.

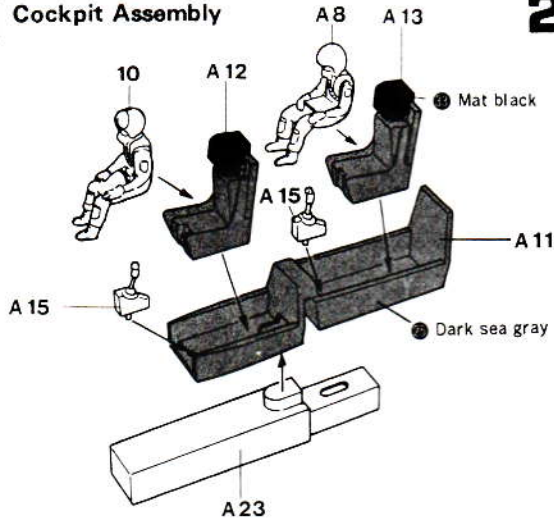
HOW TO APPLY DECALS

1. Cut out the decal and remove the film covering. Place it in water for 20 seconds.
2. Slide slightly the decal on the paste-board.
3. Press the decal with a soft cloth and remove the moisture and surplus adhesive.

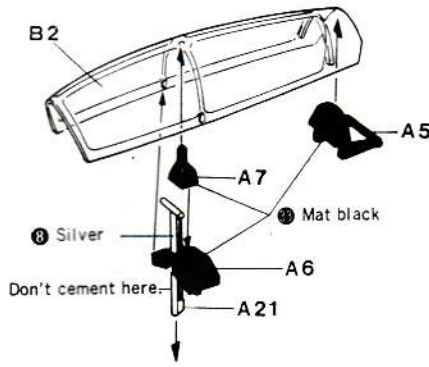
MODEL COLORS

Model Colors are numbered
After assembling, be sure to paint the model in order to enhance your workmanship. As to paint tiny parts, use a profile brush, and paint wide area, use a flat brush.

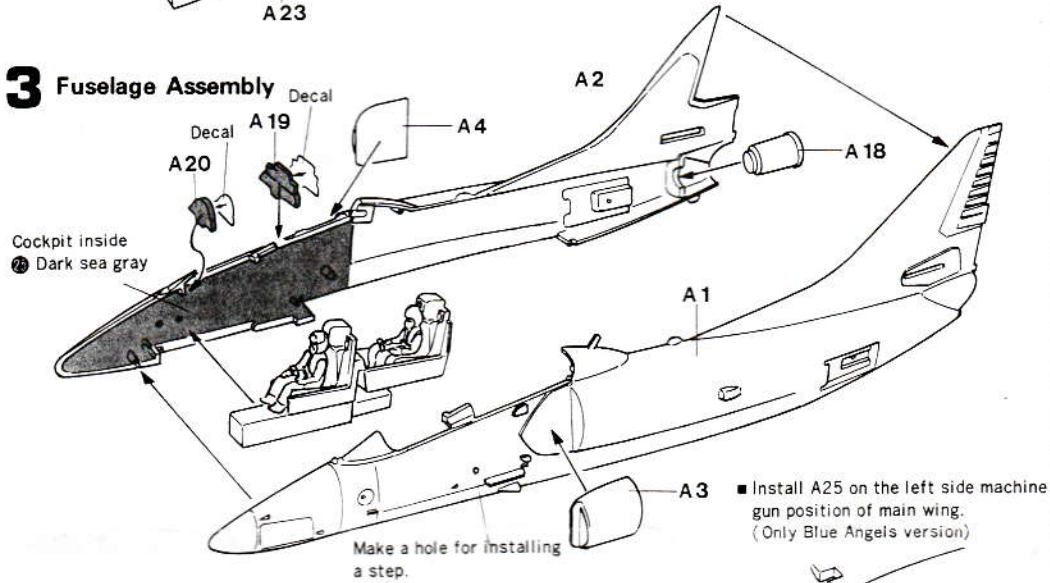
1 Cockpit Assembly



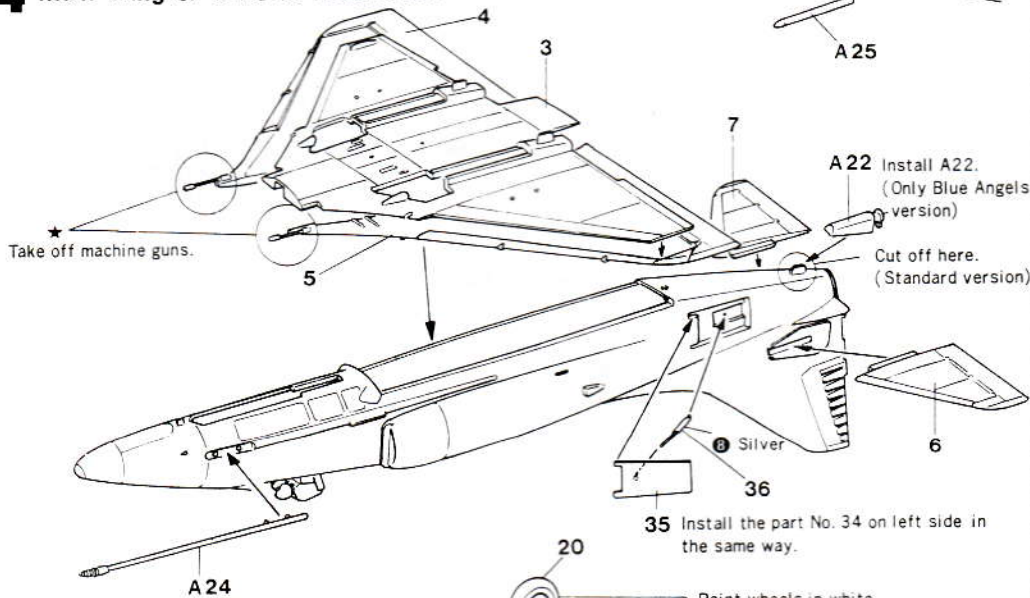
2 Canopy Assembly



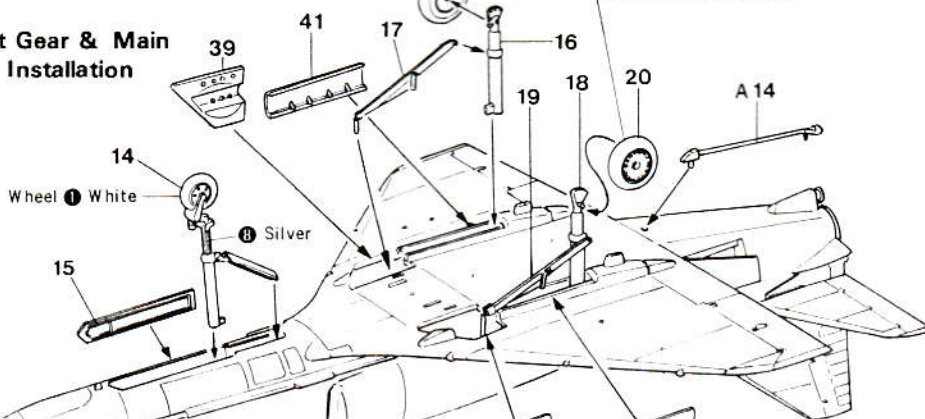
3 Fuselage Assembly



4 Main Wing & Tail Unit Installation



5 Front Gear & Main Gear Installation



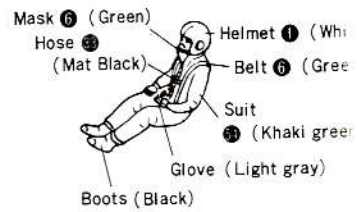
★Before assembling

- Follow the instructions carefully.
- Cut off the parts from the stem with a nipper or cutter.
- When using adhesive, apply it to both parts to be cemented. Please take care not to apply too much adhesive.
- Pay attention to proper fitting of each parts using cello-tape before cementing the parts.

★MODEL COLOR

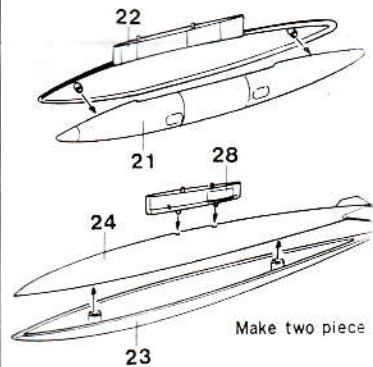
The number ①-⑦ mean Model Color number. Let's make the beautiful air-planes with color painting!

Picture-1 Cement pilot figure after painting. Apply light gray and dark gray on cockpit.



Picture-6 Fuel Tank Assembly

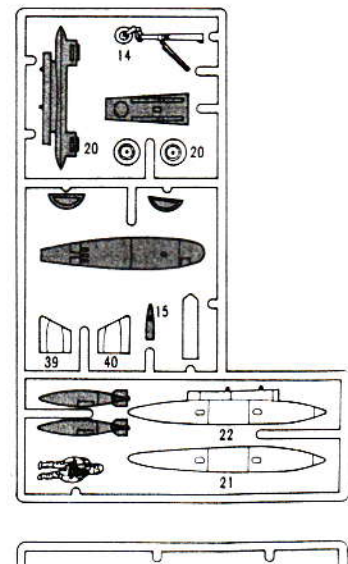
Assemble fuel tank at first and next install them on main wing. Make two pieces.

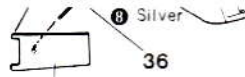
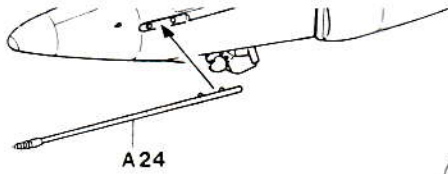


Parts

You don't need to use some parts. Refer to the bellow chart.

Part  are not used.

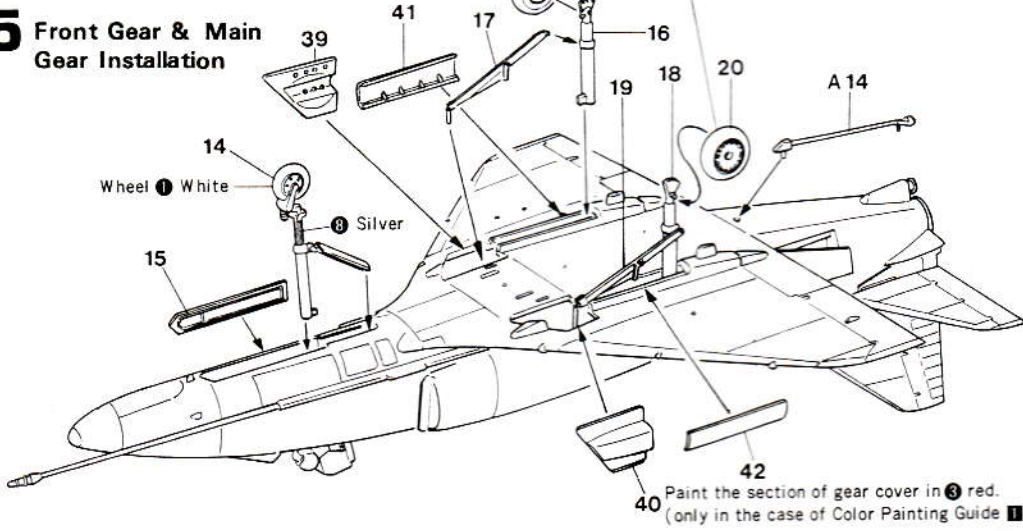




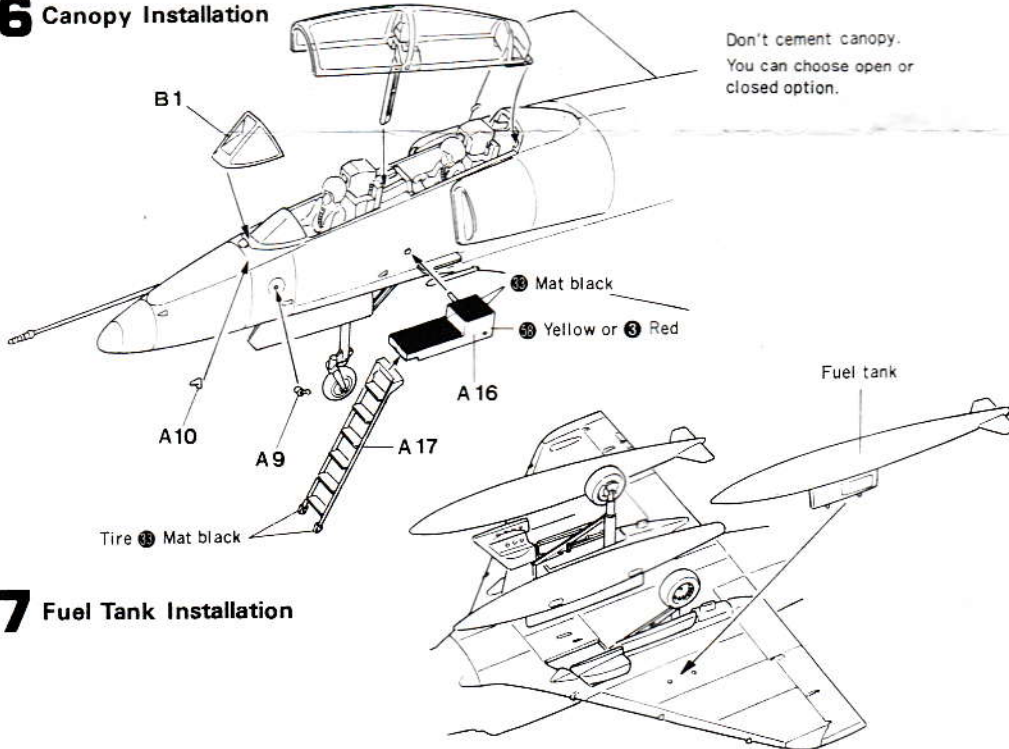
6

Part are not used.

5 Front Gear & Main Gear Installation



6 Canopy Installation



7 Fuel Tank Installation

