

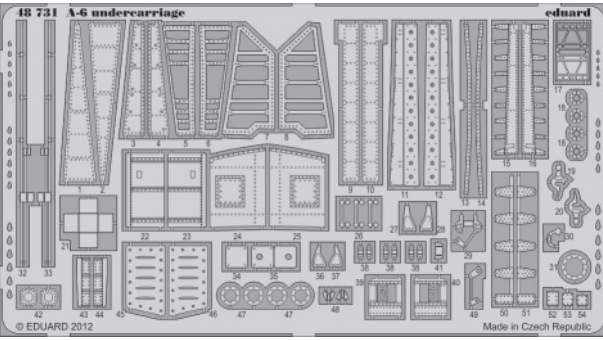


A-6 undercarriage

1/48 scale detail set for Kinetic kit • sada detailů pro model 1/48 Kinetic

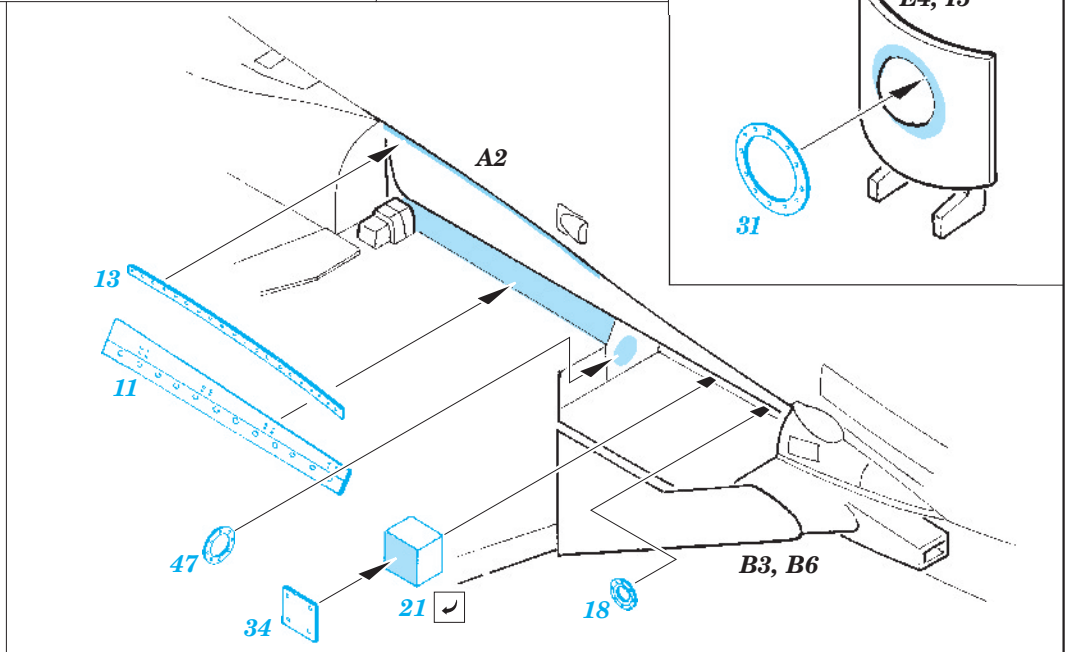
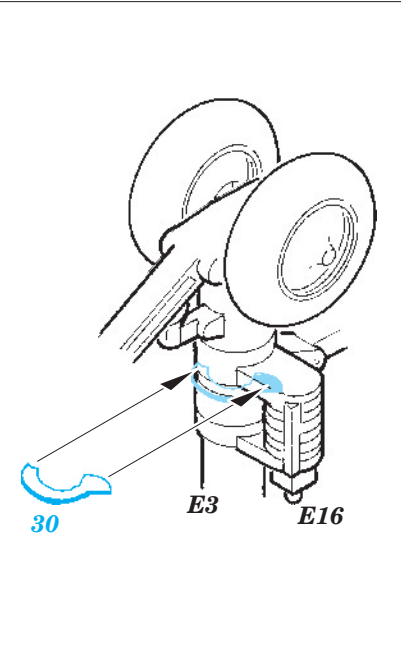
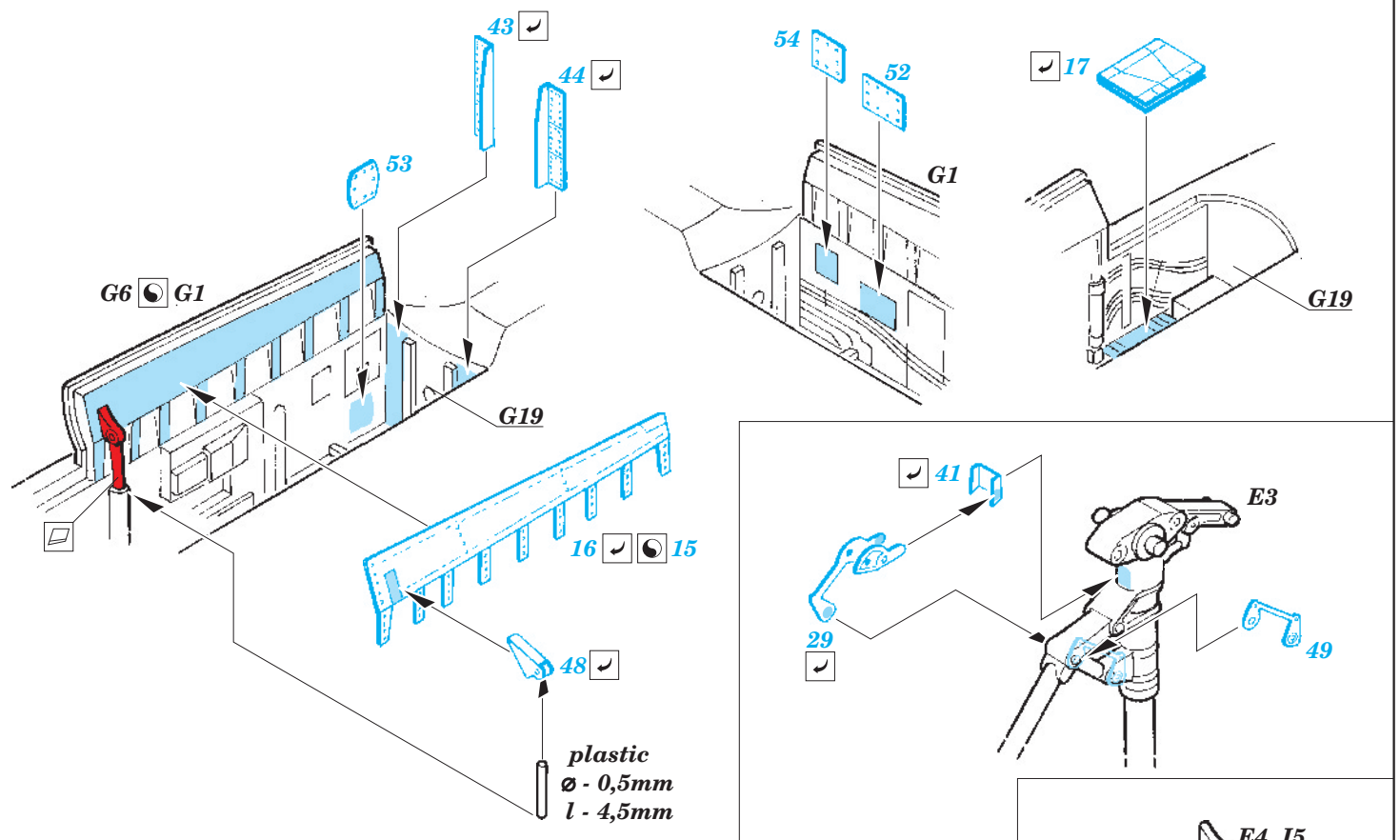
eduard

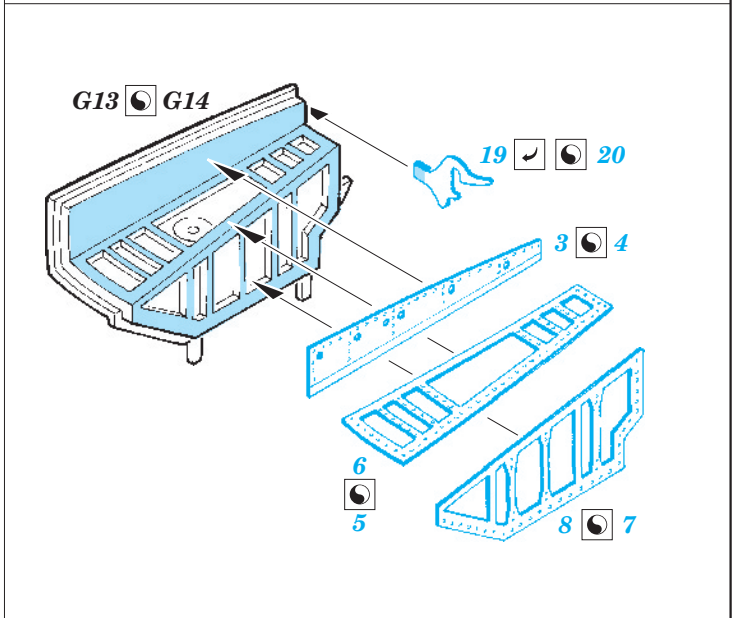
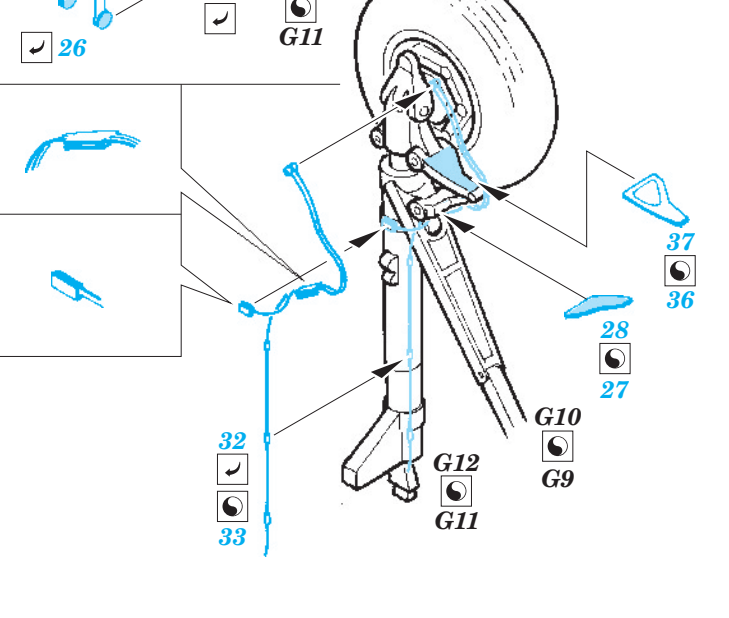
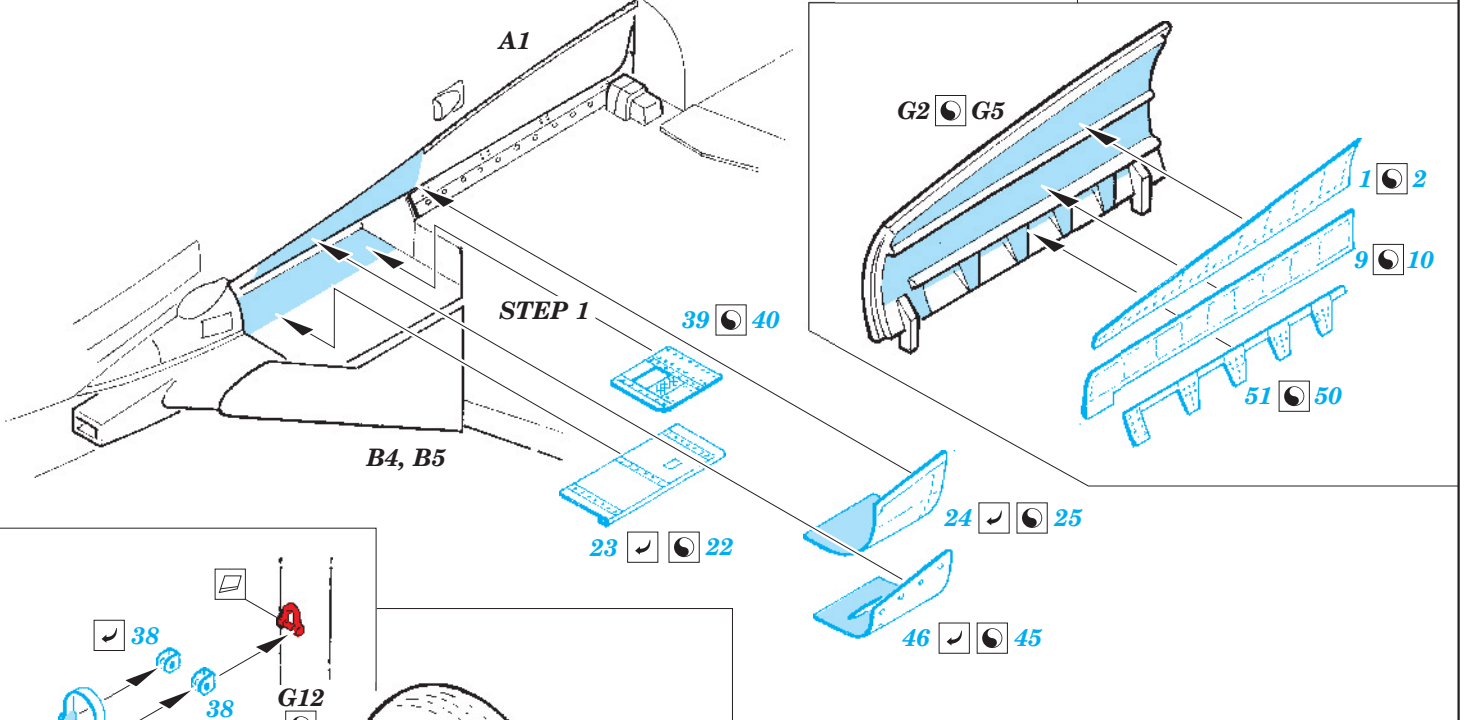
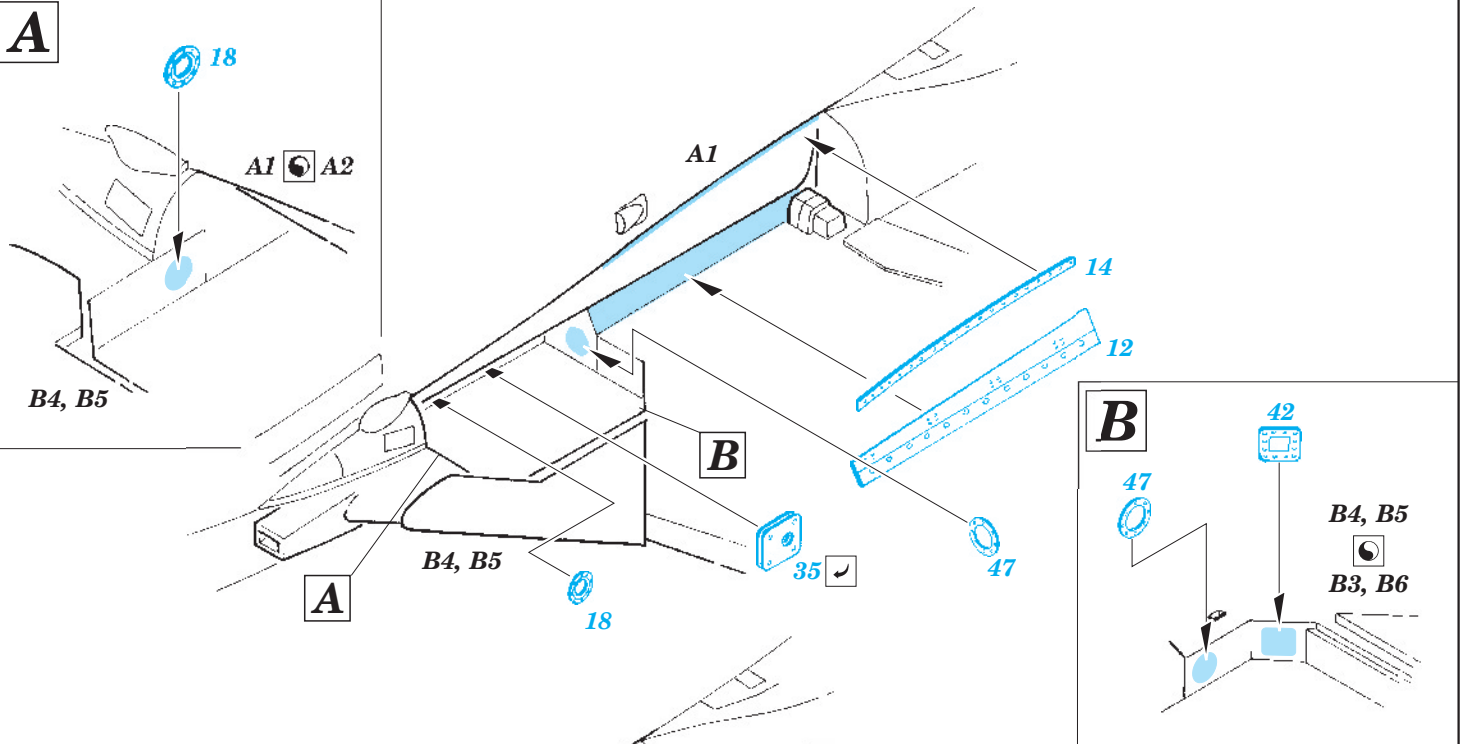
48 731



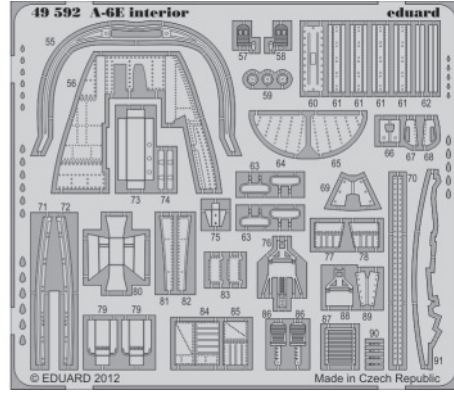
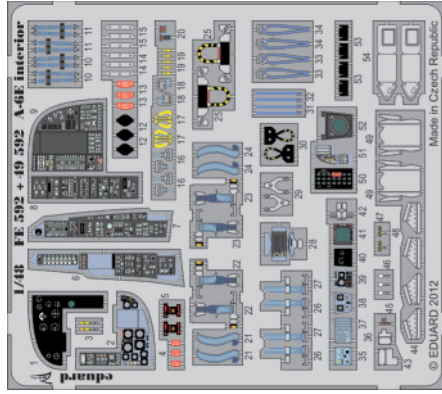
- ★ APPLY EXPRESS MASK AND PAINT BEFORE GLUING
POUŽIT EXPRESS MASK NABARVIT PŘED SLEPENÍM
- ☉ SYMMETRICAL ASSEMBLY
SYMETRICKÁ MONTÁŽ
- REMOVE
ODSTRANIT
- ▨ GRIND
OBROUSIT
- ⊘ DRILL HOLE
VRTAT OTVOR
- ↪ BEND
OHNOUT
- ? OPTION
VOLBA
- Ⓜ REPLACE
NAHRADIT

ORIGINAL KIT PARTS
PŮVODNÍ DÍLY STAVEBNICE
 PHOTO-ETCHED PARTS
LEPTANÉ DÍLY
 PARTS TO BE REMOVED
DÍLY K ODSTRANĚNÍ
 FILL
TMELIT

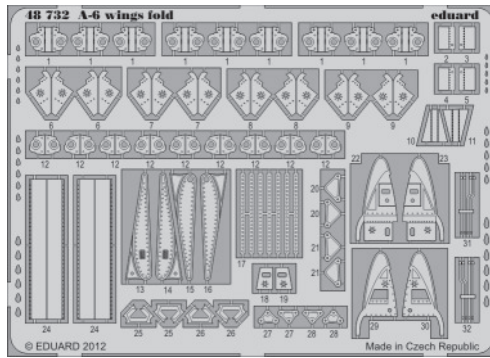




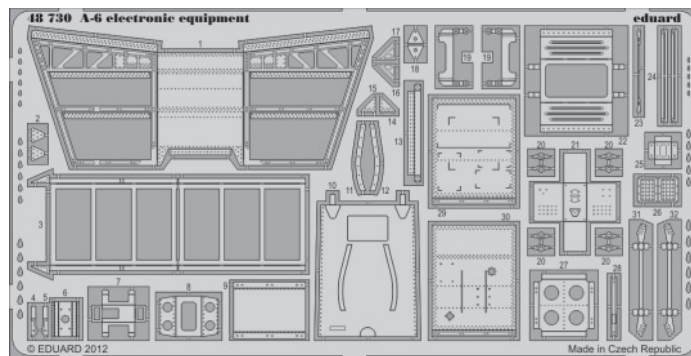
*For further detail sets look for **eduard** 49 592 A-6 interior S.A.
(not included in this set)*



*For further detail sets look for **eduard** 48 732 A-6 wing fold
(not included in this set)*



*For further detail sets look for **eduard** 48 730 E-6 electronic equipments
(not included in this set)*



*For further detail sets look for **eduard** 48 728 A-6E exterior
(not included in this set)*

