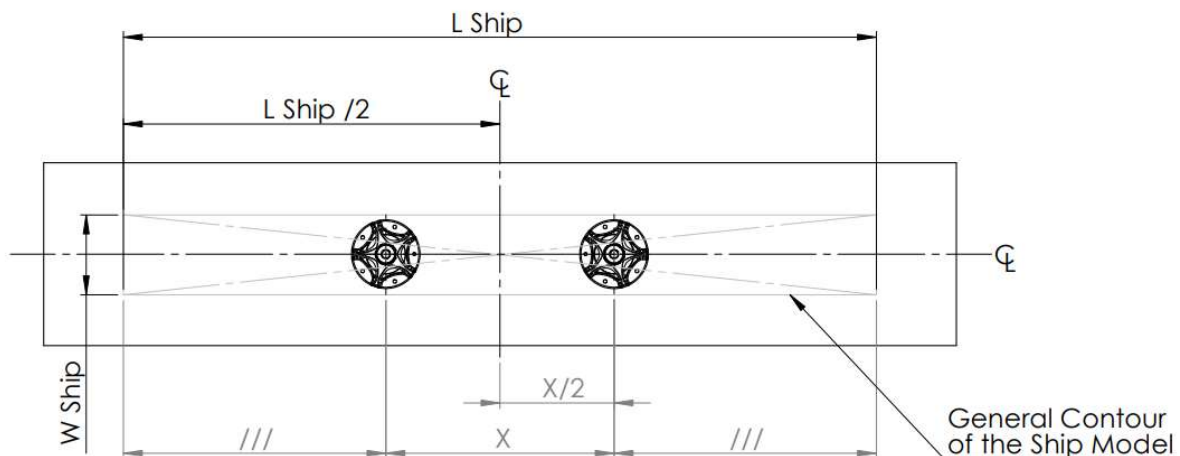


## GENERAL INSTRUCTIOS

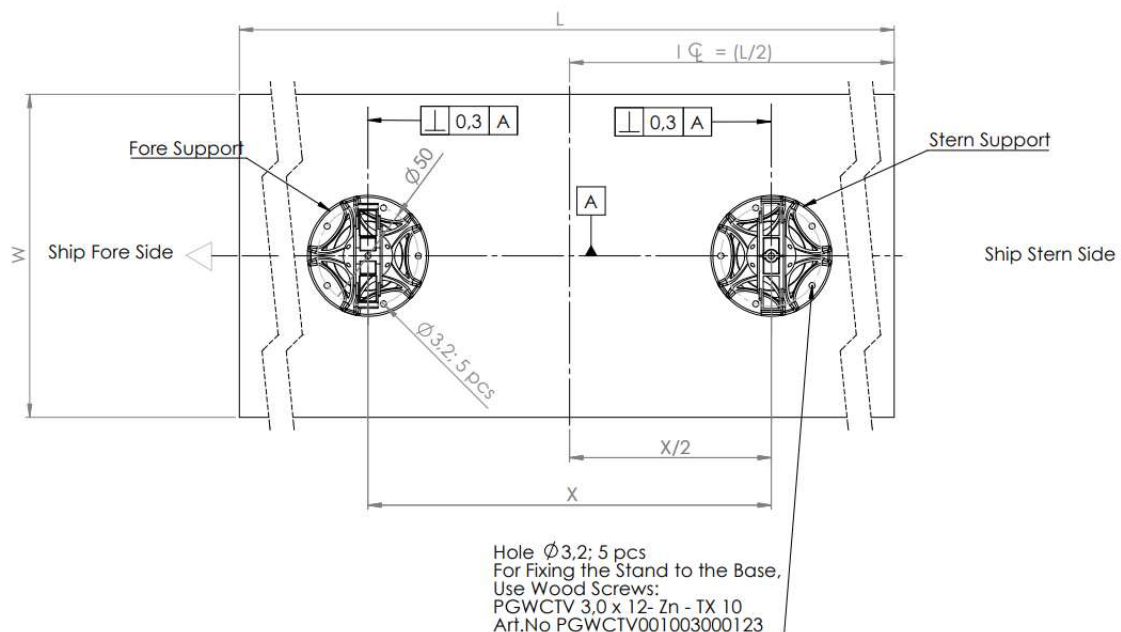
### CTG-A001410\_V0\_R1; Model Ship Pedestal Kit Assembling

(For Miniature Scale Model Kit)

1. Determine the suitable position of the carriers (the distance between the centres of the carrier) in the centre of the ship or the distance from the bow and stern. (or according to the proportions and dimensions of the base included with the model).
2. Determine the appropriate position of the carriers in relation to the centre of the ship (check the measurement of the carriers from the bow and stern to the carriers).
3. Mark the positions of the carriers on the ship's hull with a regular pencil.



Determining the Appropriate Position of the Pedestals on the Pallet, Dimension Chain.



Instructions for installing Pedestals. Main Dimension.

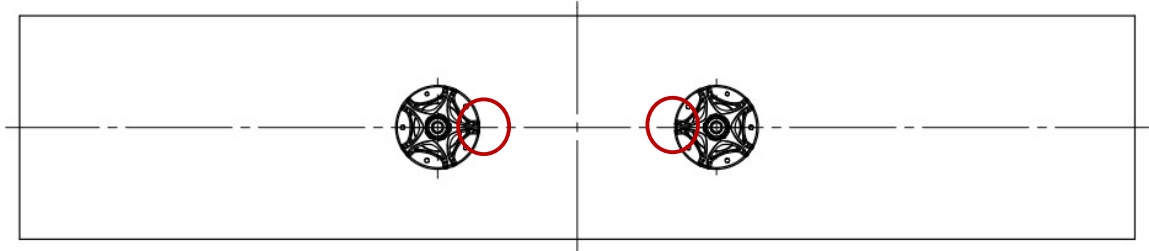
(Model DW Standard Pedestal Dimension  $X = 197$  mm).

## GENERAL INSTRUCTIOS

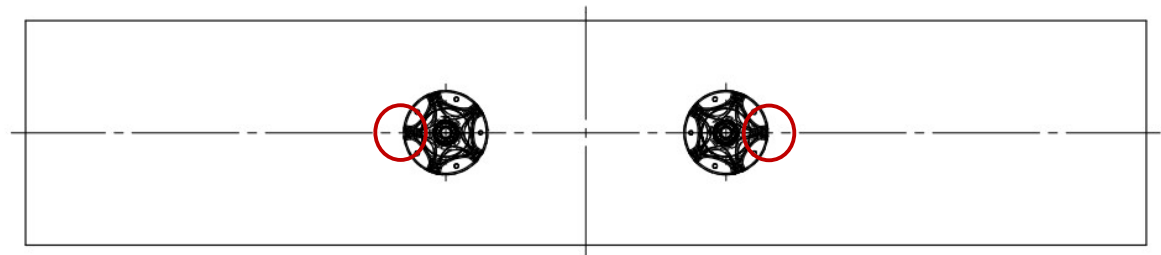
### SOLUTION SUGGESTION

NB! Select/Define Pedestal Orientation for Installation!

Stand Body Orientations:



Stand Body Orientation 1



Stand Body Orientation 2:

### ORIENTATION OF THE MODEL ACCORDING TO THE HULL OF THE SHIP

#### SUGGESTIONS FOR STEP-BY-STEP ACTIONS:

1. Determine the suitable position of the carriers (the distance between the centres of the carrier) in the centre of the ship or the distance from the bow and stern. (or according to the proportions and dimensions of the base included with the model).



Model DW Standard Pedestal Dimension X = 197 mm – Distance between Support Points.

## GENERAL INSTRUCTIOS

2. Determine the appropriate position of the carriers in relation to the centre of the ship (check the measurement of the carriers from the bow and stern to the carriers).



Distance between Support Points.

3. Mark the positions of the carriers on the ship's hull with a regular pencil. Don't use Permanent Marker, marked with a chemical marker can seep through the colour over time!



Marked Support Positions on the Ship Hull.

4. If the positions of the pedestal on the hull of the ship are defined, then mark the centre of the carrier with a pencil on the hull of the ship, so that it can be identified during processing for final size grinding-matching of the surface that contacts the carrier with the hull.



## GENERAL INSTRUCTIOS

Upper Support Geometry with Checking Ship Hull Geometry.

5. The marked upper carriers of the bow and stern must be matched with the geometry of the ship's outer hull, for this use MIRKA sandpaper (Sandpaper MIRKA Abranet Ace; 70x198 mm; P180 for preliminary work and P320 for finishing).
6. Place the sandpaper on the hull of the ship so that the side with the fabric rests against the hull of the ship and the side coated with abrasive is on the outside. Tighten the sandpaper on the hull!



Grinding the Geometry of the Upper Support according to the Geometry of the Ship's Hull.

7. Take the detail of the ship's carrier: if it is not a symmetrical detail: NB! observe whether there is a carrier on the bow or stern side, grind the supporting surface of the carrier according to the size of the ship's hull. Remove the sandpaper and check the geometry of the resulting surface on the ship's hull, at the position of the carrier marked on the ship's hull, observe the orientation of the carrier with respect to the ship's hull (crossing the keel with the longitudinal sight).



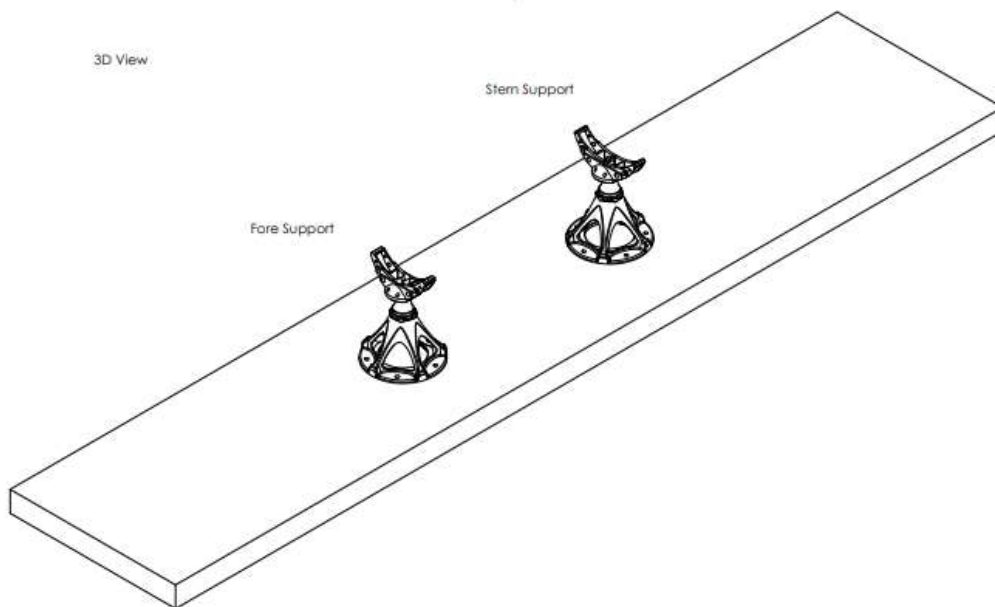
Upper Supports Geometry Visual Verification.

## GENERAL INSTRUCTIOS



Ship on a Display Stand with a Set of Supports.

With this, the necessary preliminary work has been done. The next step is painting, varnishing, applying decals, protective varnishing, aging and the final finishing protective varnish - matte varnish. Final assembly of the model, installation of the showcase, fastening, adding information labels. Applying a seal to the joint surface of the display case and installing and fixing the protective cover.



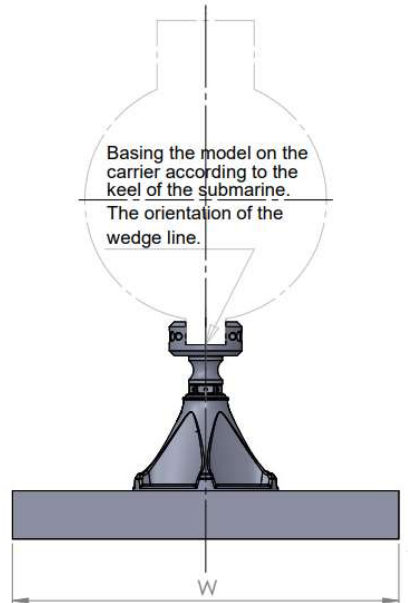
Pallet w Pedestal Kit 3D View.



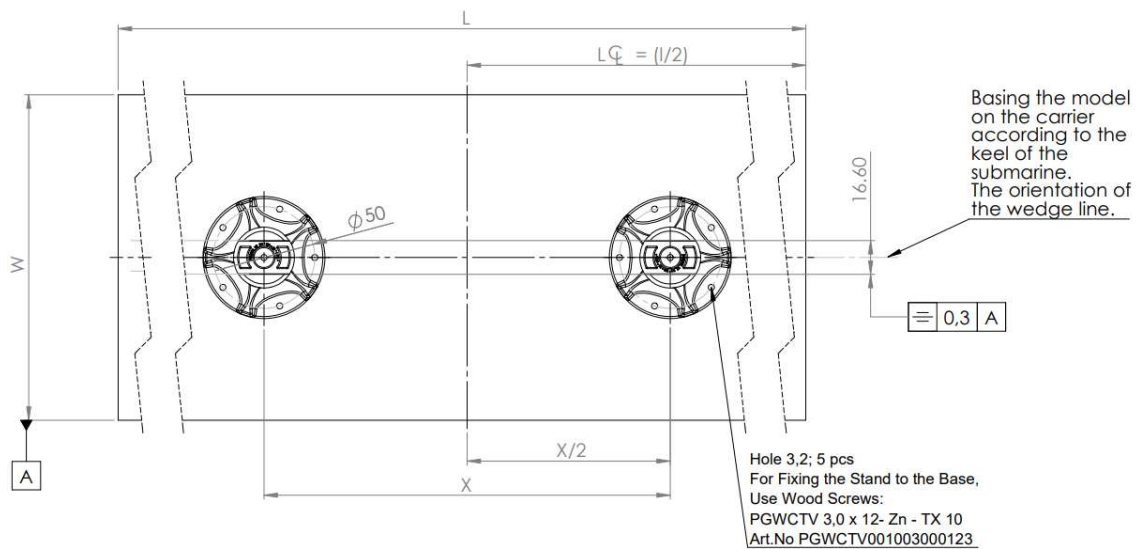
## GENERAL INSTRUCTIOS

### THE ORIENTATION OF THE MODEL ACCORDING TO THE LINE OF THE SHIP'S KEEL

Basing the model on the carrier according to the keel of the submarine



Installation of pedestals according to the keel (cross section of the ship).

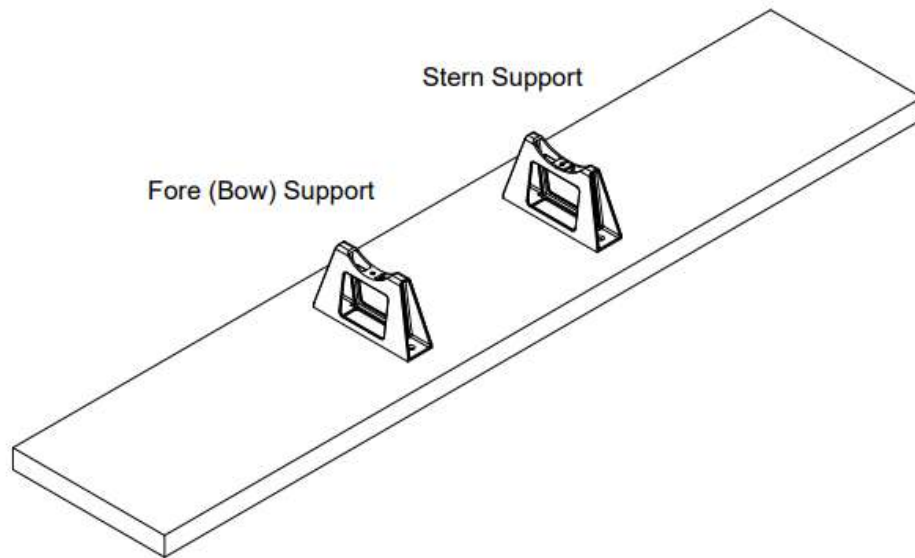


Instructions for installing Pedestals according to the Keel. View from Top. Main Dimension.

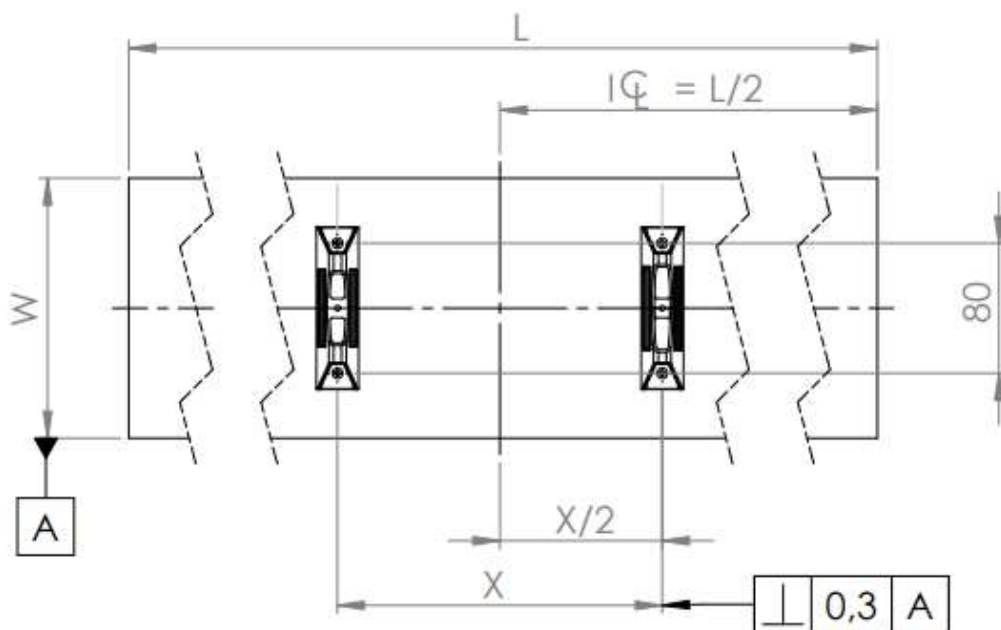
## GENERAL INSTRUCTIOS

### THE ORIENTATION OF THE MODEL ACCORDING TO THE LINE OF THE SHIP'S KEEL/HULL

#### Stand TYPE 2\_6



Pedestals (Stands Type 2\_6) in the pallet, 3D View



Pedestal Orientation, Top View