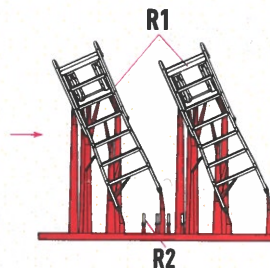
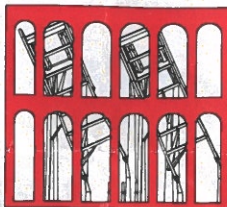


CUT

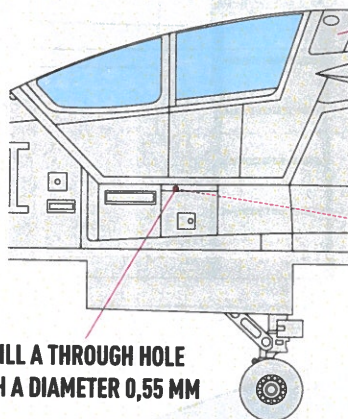
**REMOVE
PROTECTIVE COVER**



USE A SAW TO REMOVE SUPPORTS
FROM 3D PRINTED PARTS

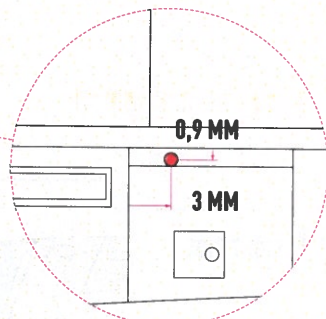


1

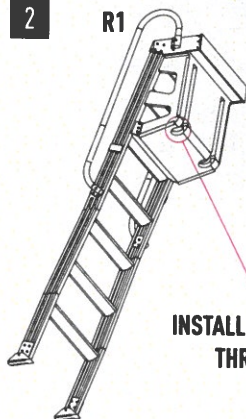


**SIDE OF THE AIRCRAFT (LEFT)
REPEAT FOR RIGHT**

**DRILL A THROUGH HOLE
WITH A DIAMETER 0,55 MM**

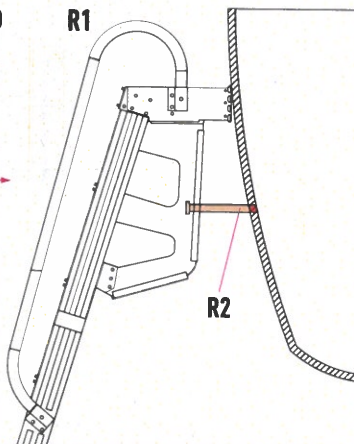


2

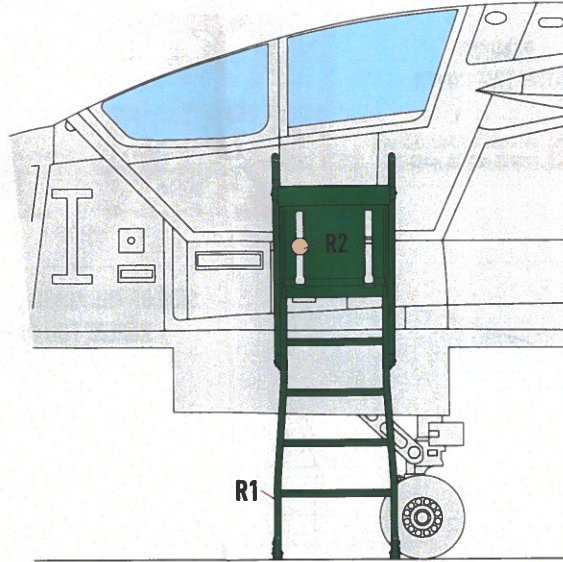


**INSTALL PART R2 INTO
THE FUSELAGE**

**INSTALL PART R1 ON PART R2
THROUGH THE HOLE**



3 LEFT SIDE



4 RIGHT SIDE

