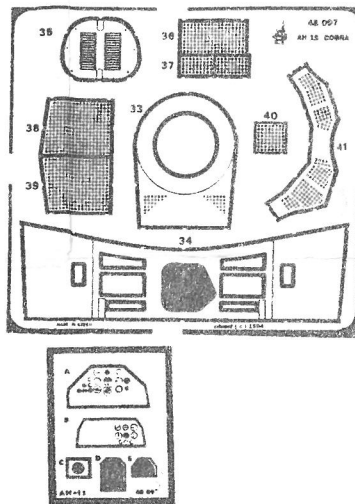
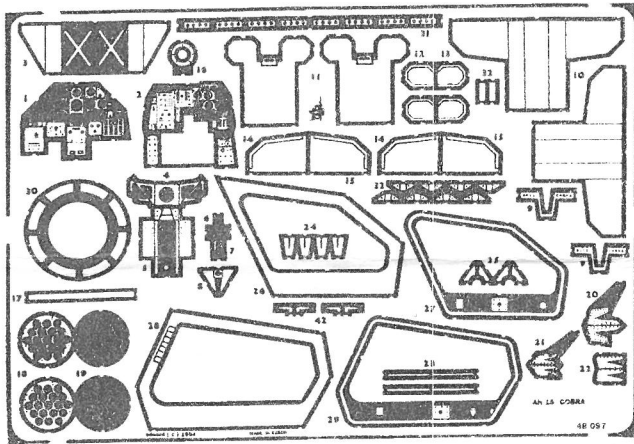




Bell AH 1 W Cobra

1/48 scale detail set for MONOGRAM kit

48 097

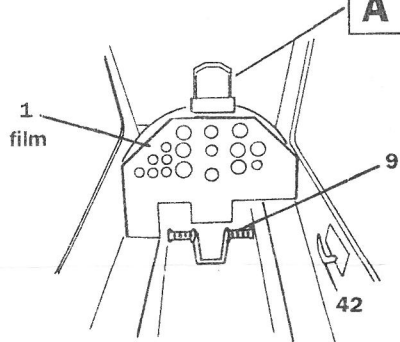


CAUTION !

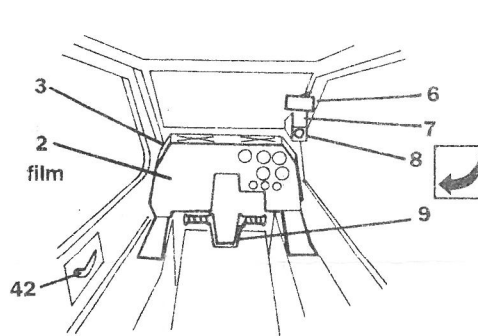
PHOTO ETCHED PARTS CAN ONLY BE GLUED WITH CYANOACRYLATE GLUE. WORK IN A WELL VENTILATED AREA. DO NOT INHALE VAPORS SINCE THESE CAN BE HARMFUL. WASH YOUR HANDS AFTER USING. FIND A DOCTOR ON AN INDISPOSITION.

- OPPOSITE SIDE
- REMOVE
- BEND

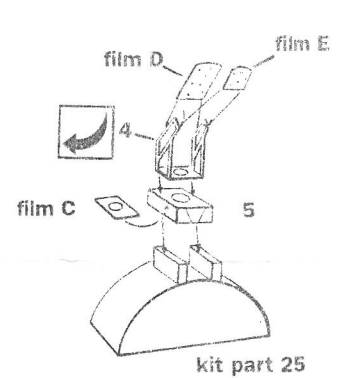
FRONT COCKPIT



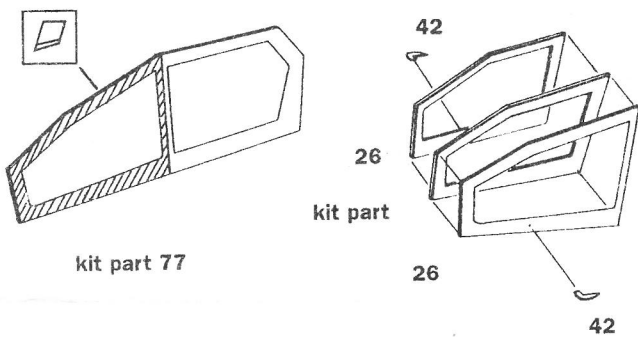
AFT COCKPIT



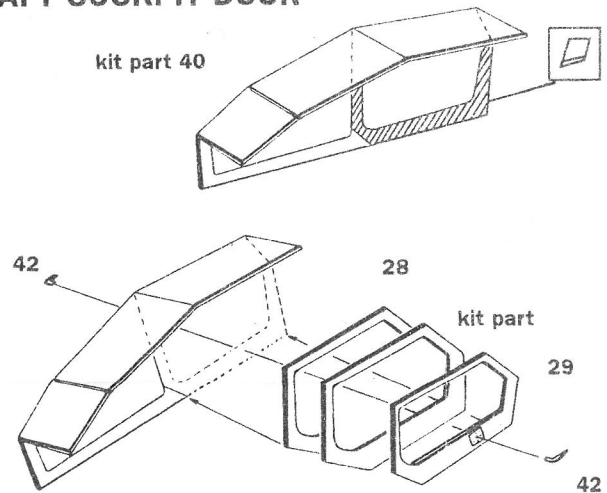
A GUNSIGHT



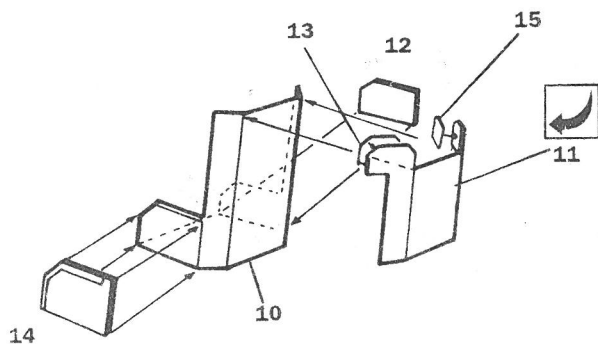
FRONT COCKPIT DOOR



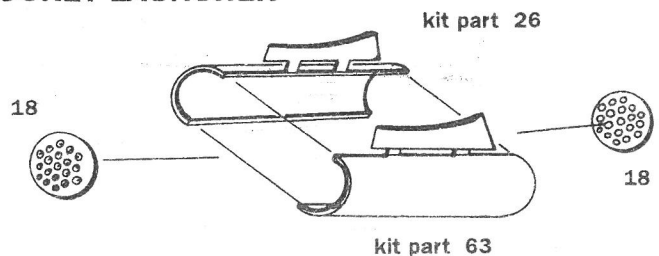
AFT COCKPIT DOOR



ARMOURED PILOT SEAT



ROCKET LAUNCHER



WIRE CUTTER

D

B

C

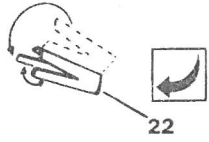
D

20

23

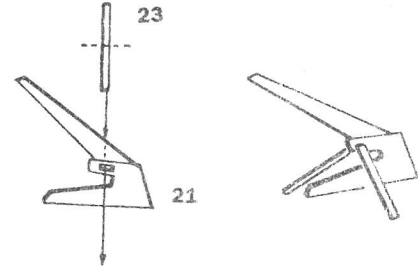
23

B



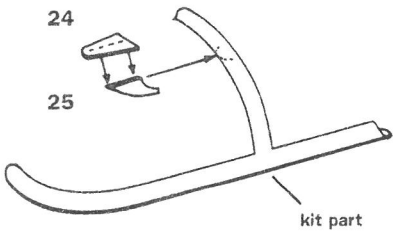
22

C



STEPS

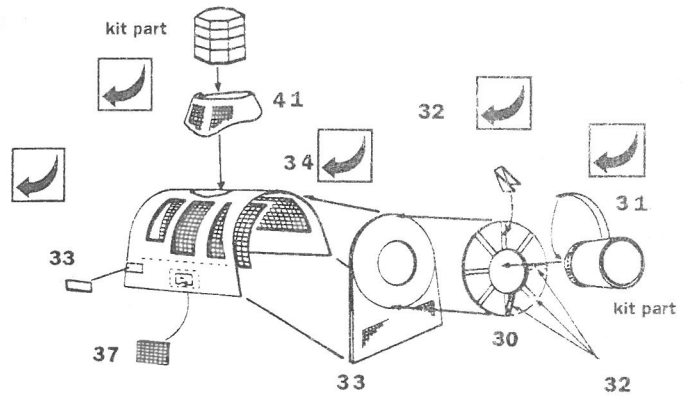
E



24

25

kit part



kit part

41

32

34

33

37

33

30

31

kit part

32

