

SUPERMARINE SPITFIRE MK IB, IIB

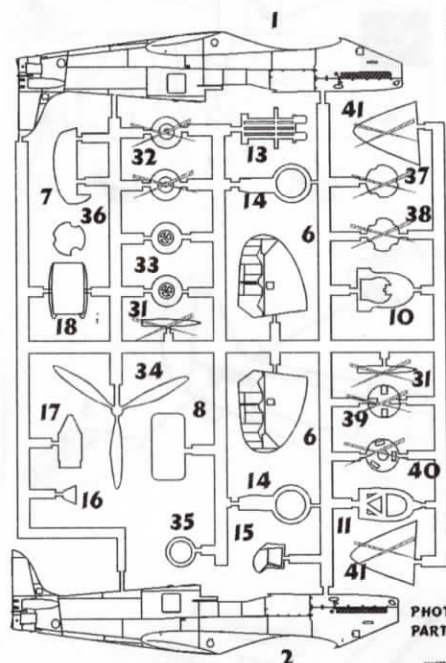
PLASTIC MODEL

SCALE :1/72

Version Mk.Ib,IIb

The Supermarine Spitfire is a British single-seat fighter aircraft used by the Royal Air Force and many other Allied countries throughout the Second World War. Although the original airframe was designed to be powered by a Rolls-Royce Merlin engine producing 1,030hp (768 kW). The B wing had four .303 in (7.7 mm) machine guns and two 20 mm (.79 in) Hispano cannons. Spitfires were built 20,351 units. Mk. I was 1566 pieces and 921 version Mk.II.

PLASTIC PARTS



STENCILS

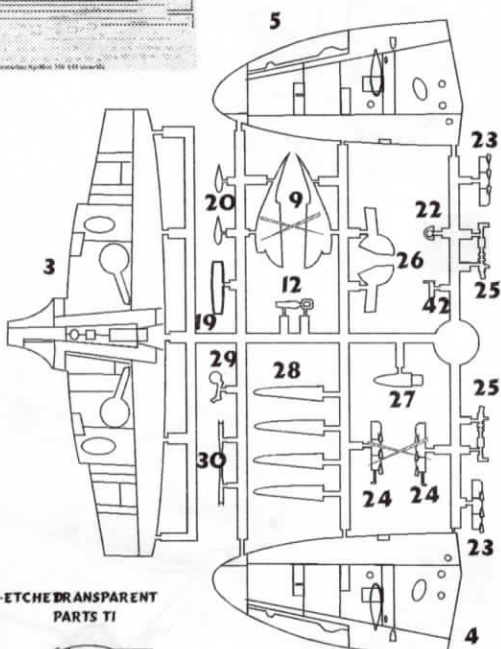


PHOTO-ETCHÉ
PART PARTS TI



OPTIONAL
VOLBA



BEND
OHNOUT



OPEN
HOLE
VYVRTAT
OTVOR



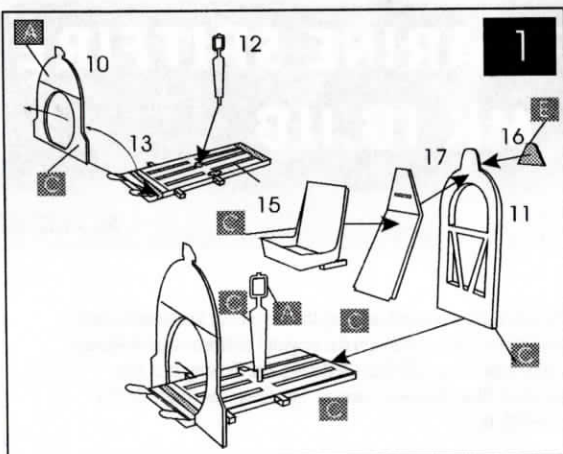
SYMMETRICAL
ASSEMBLY
SYMETRICKÁ
MONTÁŽ



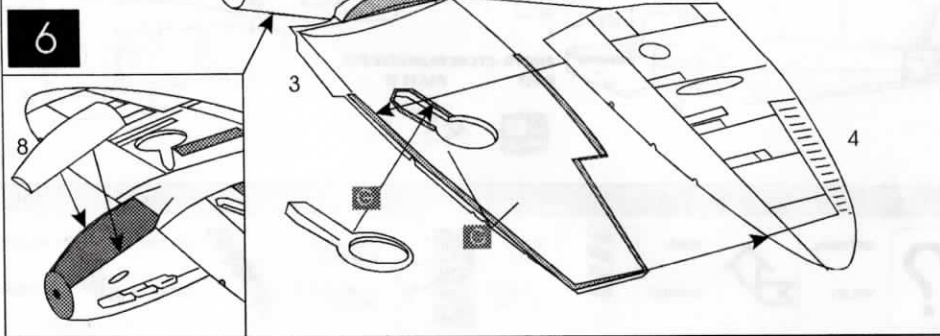
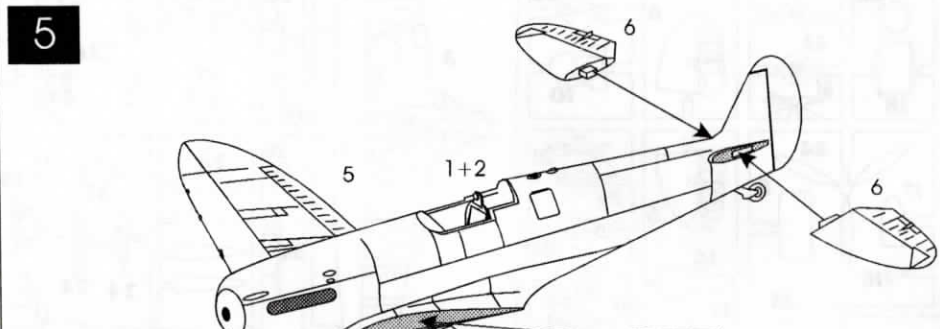
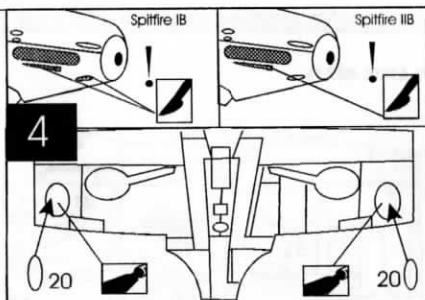
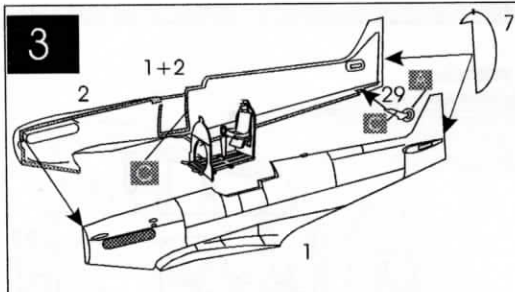
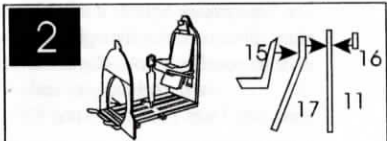
A NOTH
ŽÁREZ

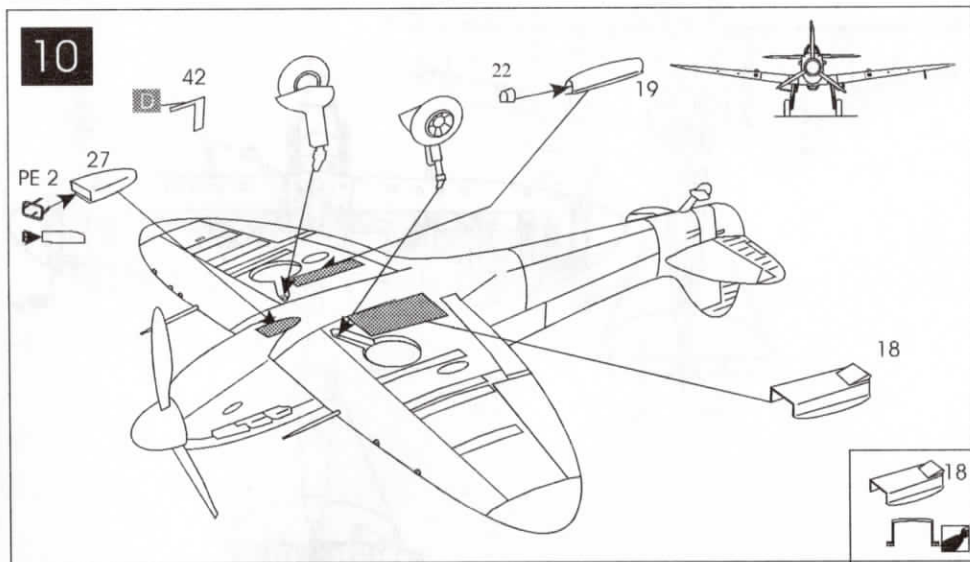
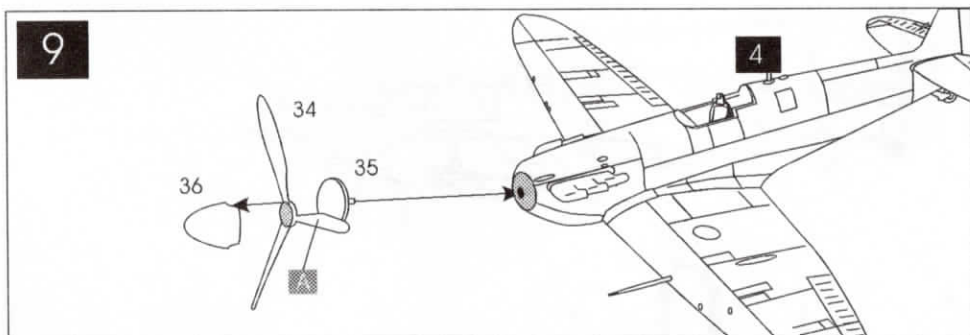
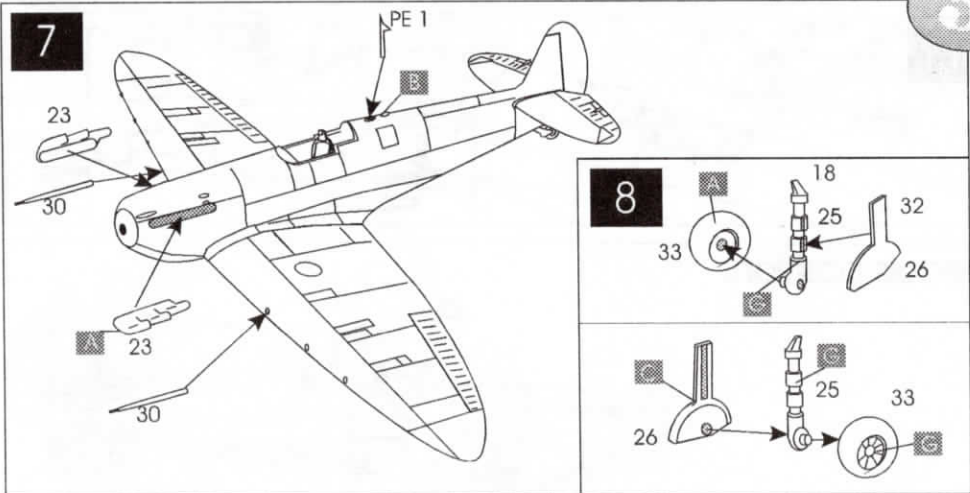


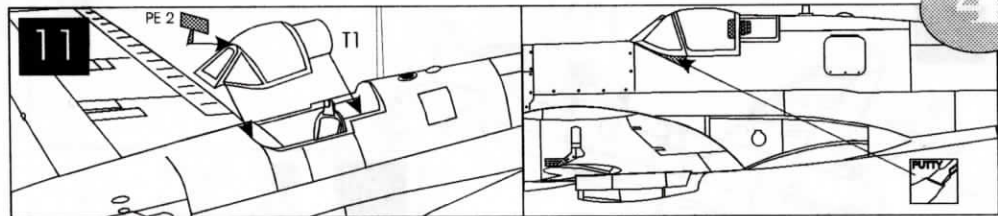
REMOVE
ODŘÍZNOUT



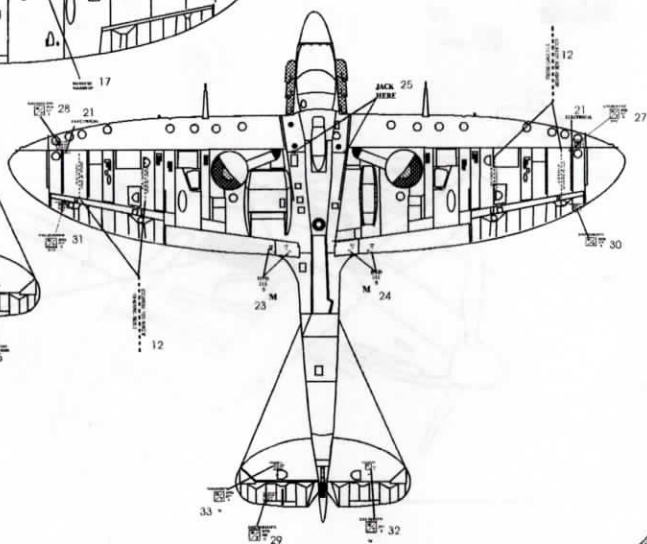
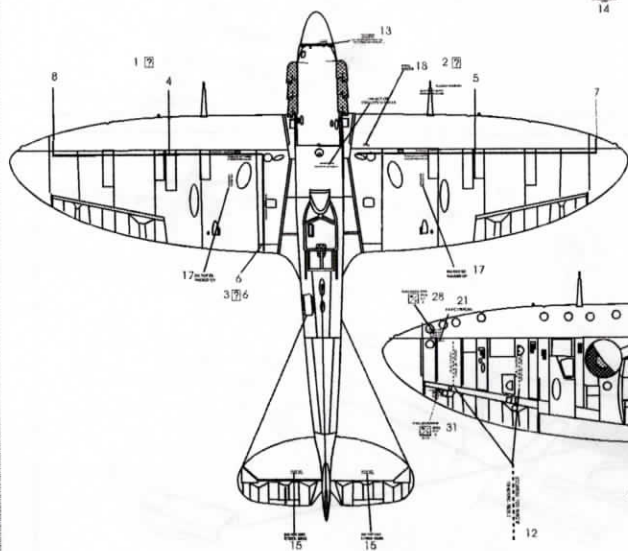
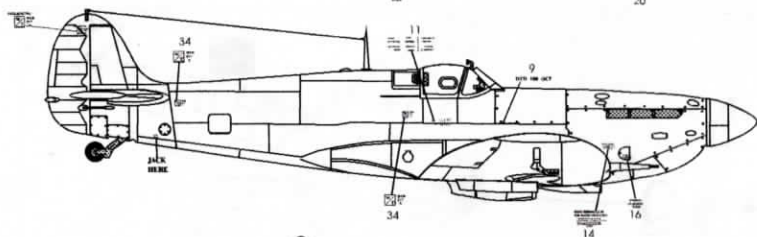
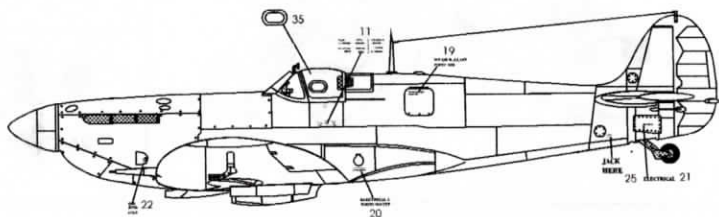
- A** Black
- B** White
- C** Interior Green
- D** Light Grey
- E** Dark Grey
- F** Desert Yellow
- G** Aluminium
- H** Brown







Decals position:



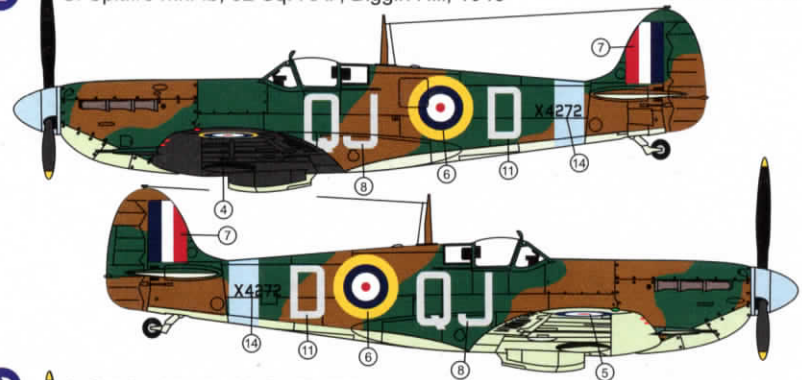
SPITFIRE MK. 1B

AZmodel
Plastic kits

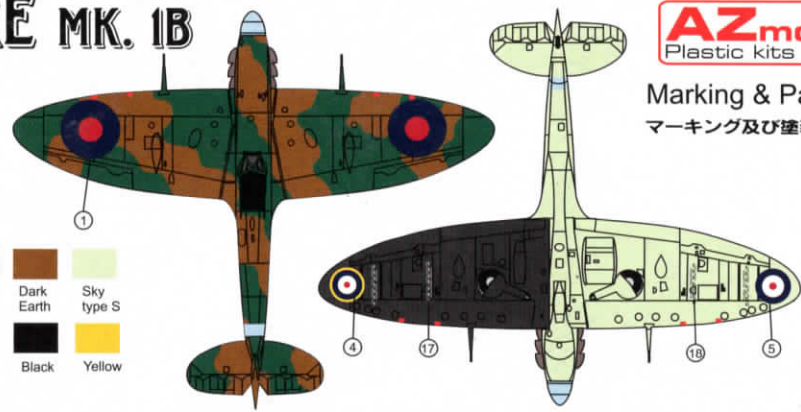
Marking & Painting
マーキング及び塗装図

1

S. Spitfire Mk. 1b, 92 Sq. RAF, Biggin Hill, 1940

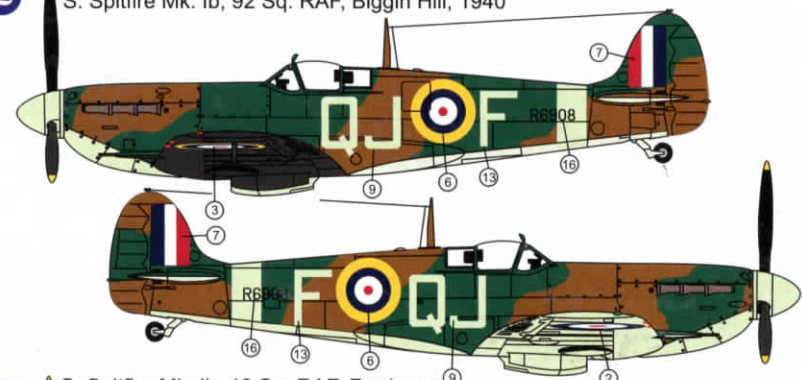


Dark Green	Dark Earth	Sky type S
Sky Blue	Black	Yellow

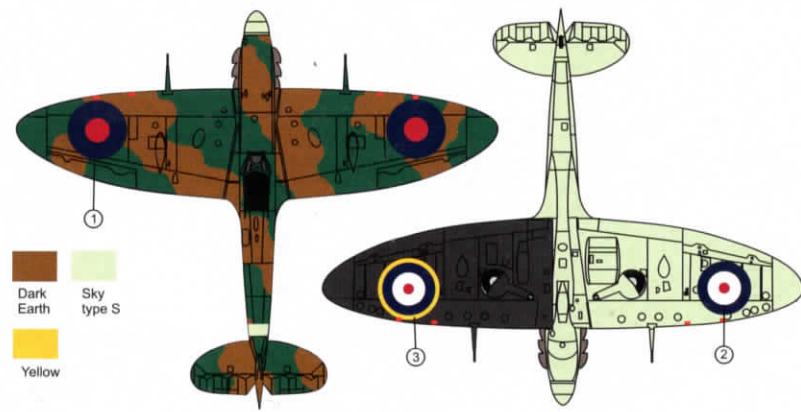


2

S. Spitfire Mk. 1b, 92 Sq. RAF, Biggin Hill, 1940

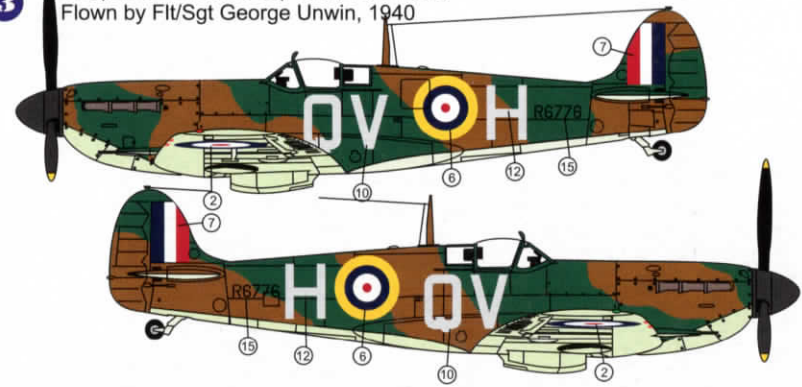


Dark Green	Dark Earth	Sky type S
Black	Yellow	



3

S. Spitfire Mk. 1b, 19 Sq. RAF, Fowlmere,
Flown by Flt/Sgt George Unwin, 1940



Dark Green	Dark Earth	Medium Sea Grey
Black	Yellow	

