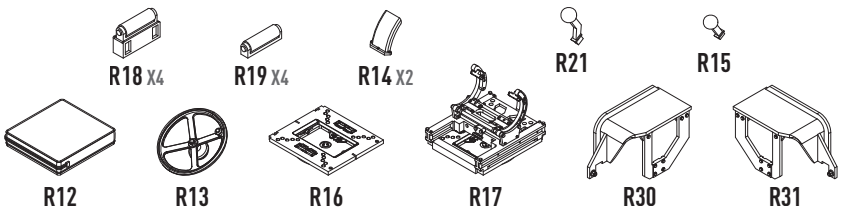
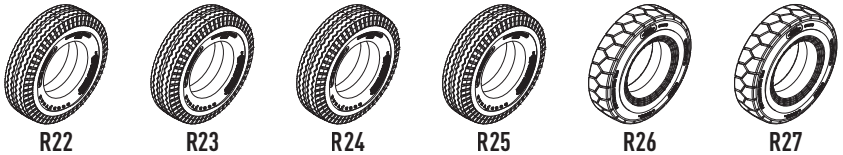
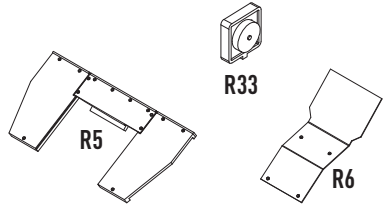
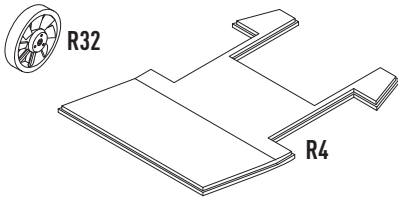
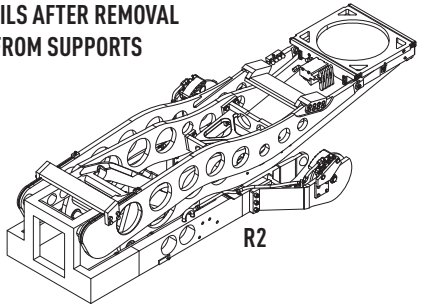
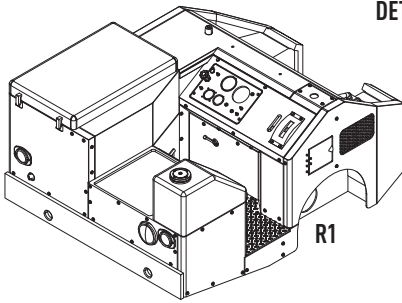
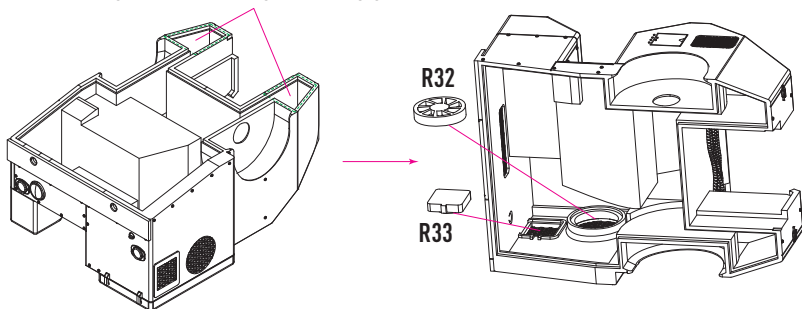


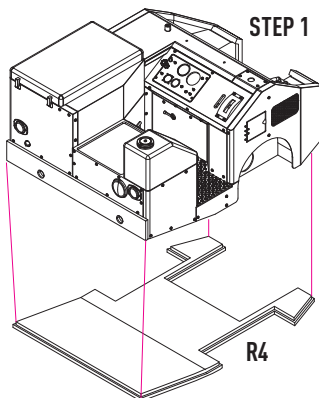
DETAILS AFTER REMOVAL
FROM SUPPORTS



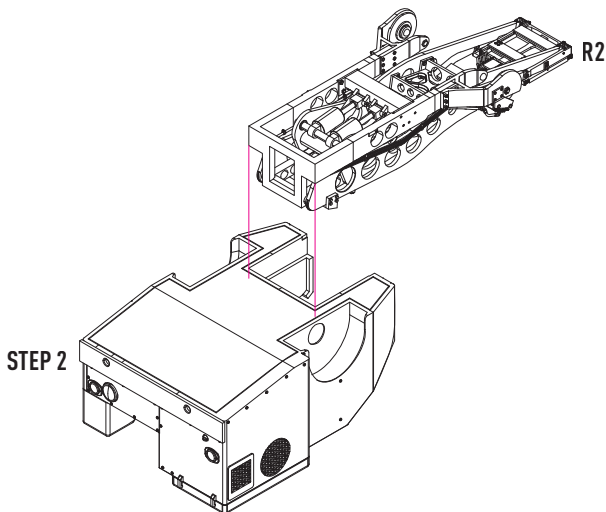
1 BEFORE INSTALLING PART R4, PLACE A WEIGHT TO PREVENT IT FROM TIPPING OVER

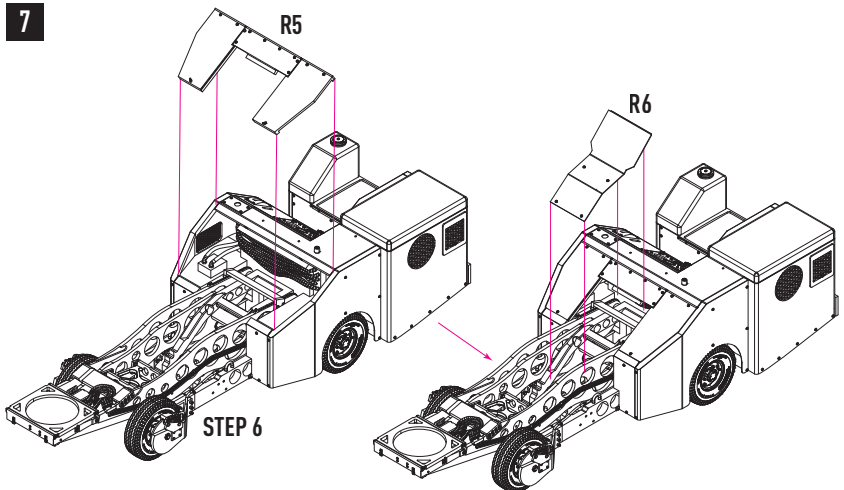
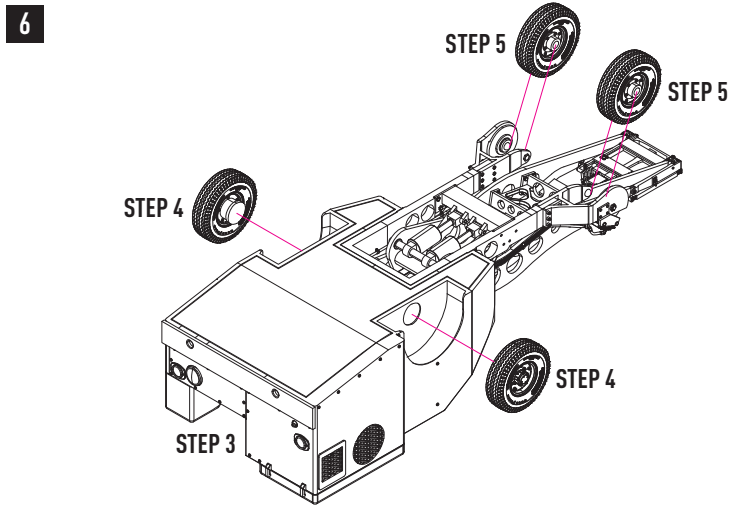
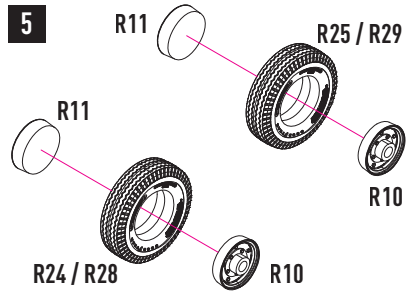
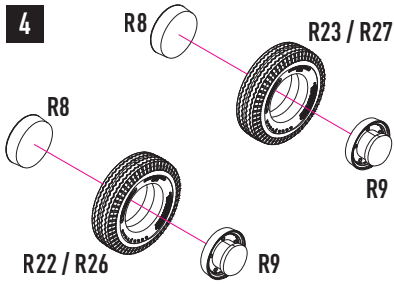


2 STEP 1

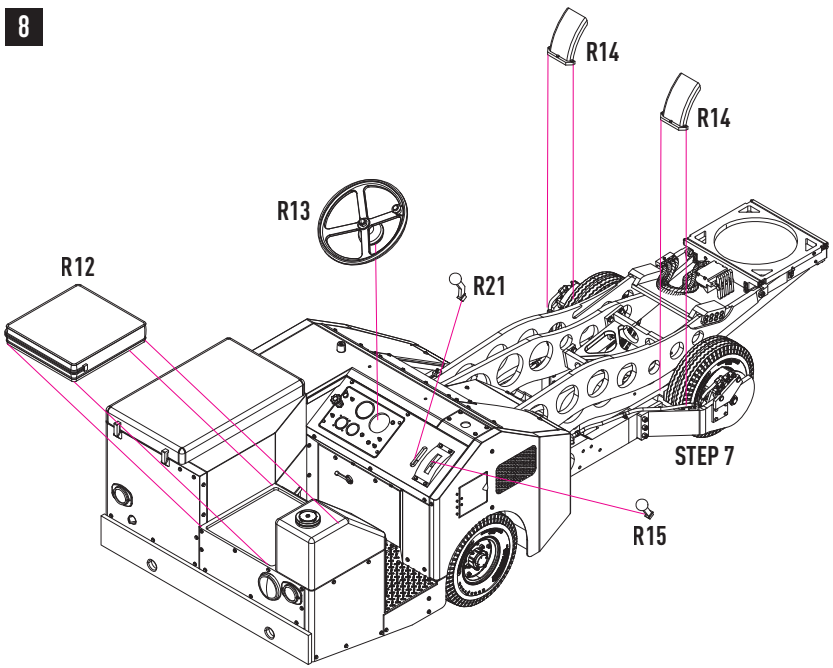


3 STEP 2

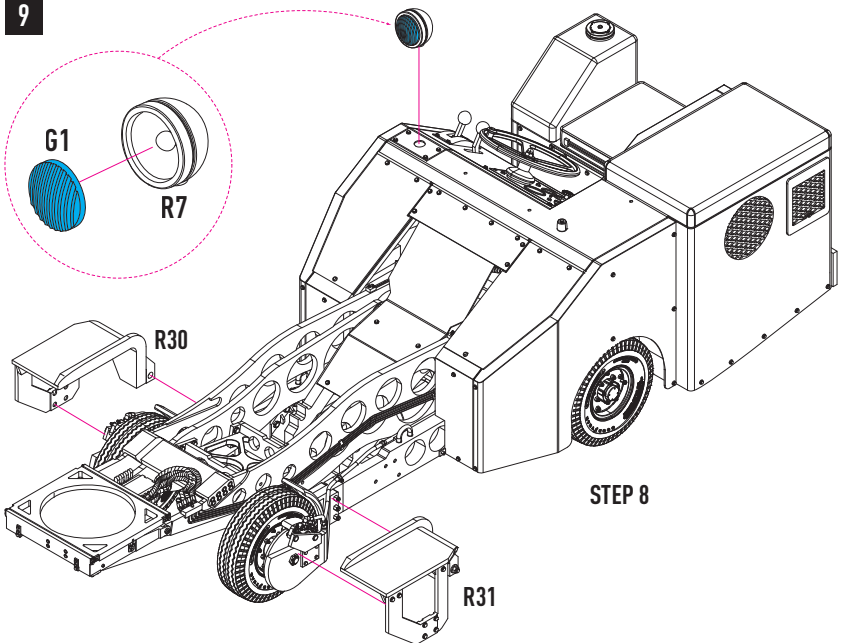


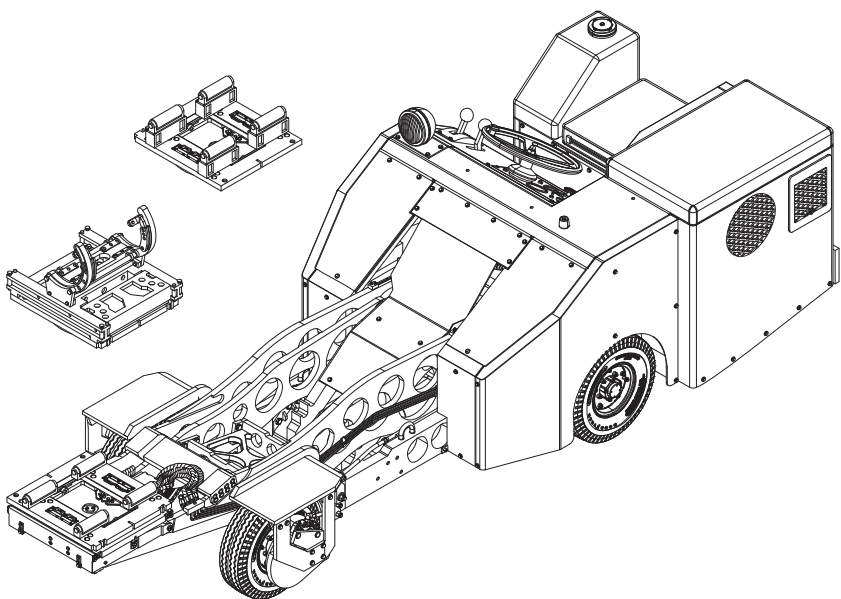
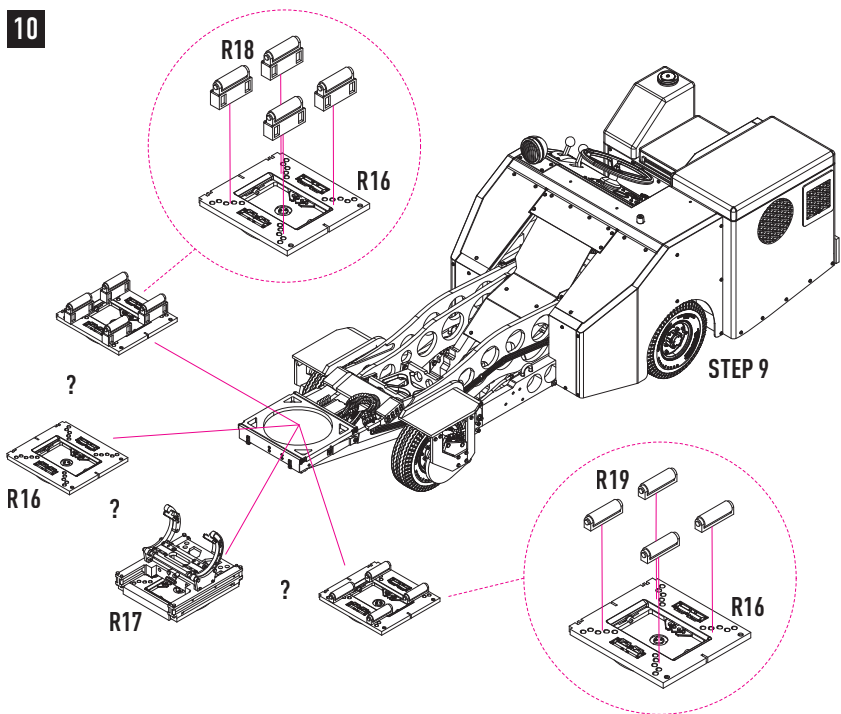


8

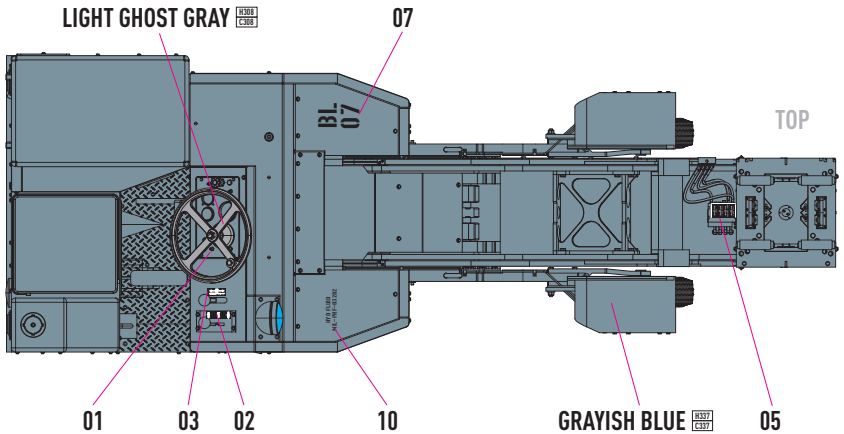
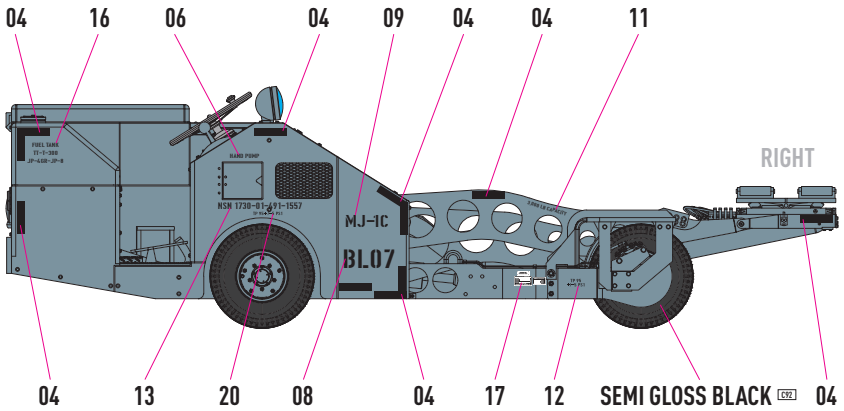
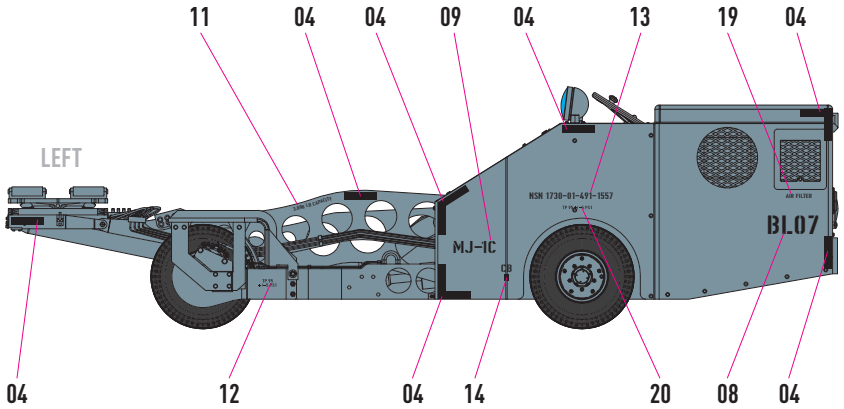


9

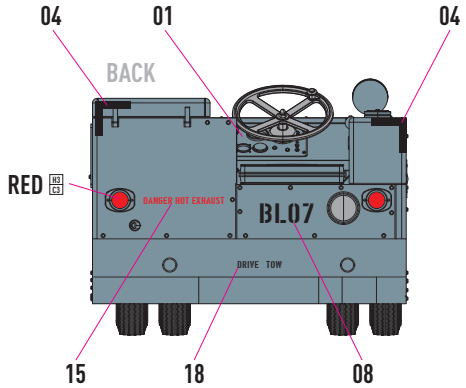
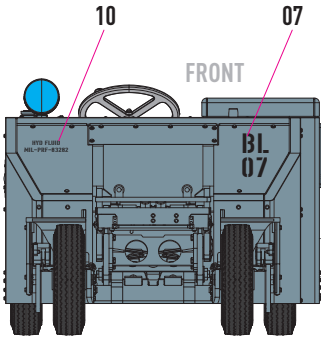




DECAL INSTRUCTION



DECAL INSTRUCTION



INSTRUMENT PANEL



01

PAINT INSTRUCTION

COLORS	GUNZE / ADEOUS	GUNZE / MR.COLOR
GRAYISH BLUE	H337	C337
RED	H3	C3
SEMI GLOSS BLACK		C92
LIGHT GHOST GRAY	H308	C308

YOU CAN FIND INSTRUCTIONS
IN PDF FORMAT ON THE WEBSITE

RESKIT-MODELS.COM

General Issues: info@reskit.com.ua

Wholesales: sales@reskit.com.ua

Claim Resolution: claims@reskit.com.ua