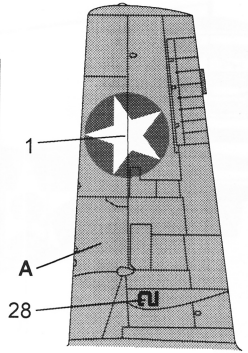
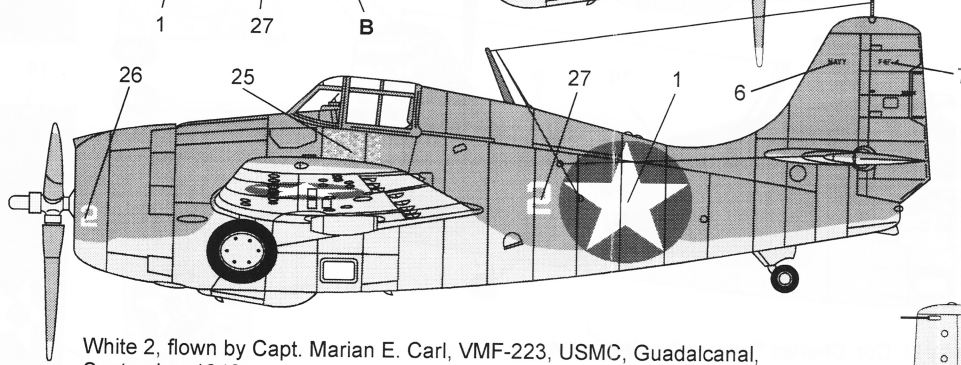


**Tabela kolorów:**  
**Colors:**

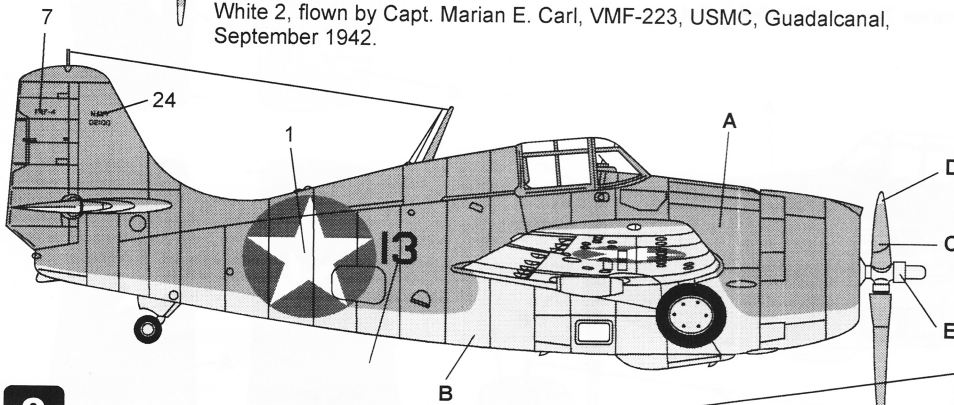
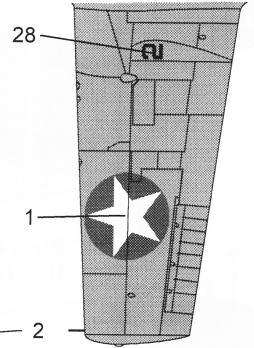
<b>A</b>	Blue Grey	FS 35189
<b>B</b>	Lt. Gull Grey	FS 36440
<b>C</b>	Black Semi-Gloss	
<b>D</b>	Yellow	FS 33358
<b>E</b>	Silver	



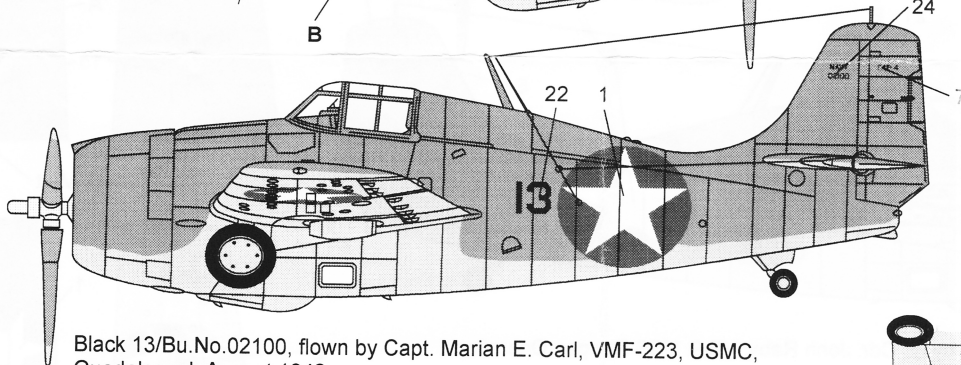
**1**



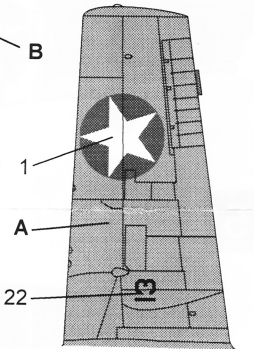
White 2, flown by Capt. Marian E. Carl, VMF-223, USMC, Guadalcanal, September 1942.



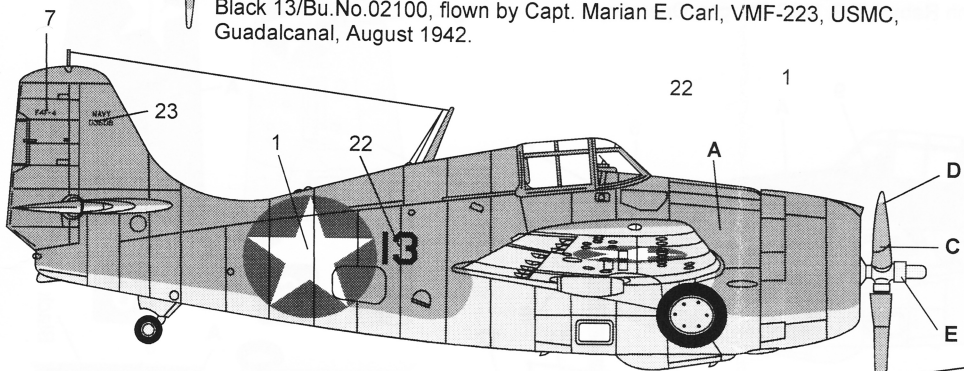
**2**



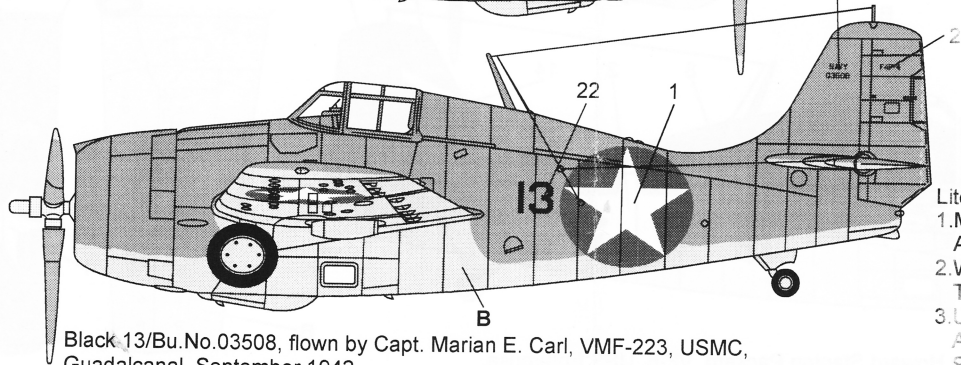
Black 13/Bu.No.02100, flown by Capt. Marian E. Carl, VMF-223, USMC, Guadalcanal, August 1942.



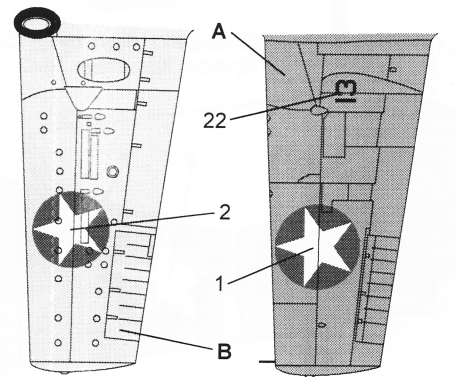
**2 3**



**3**



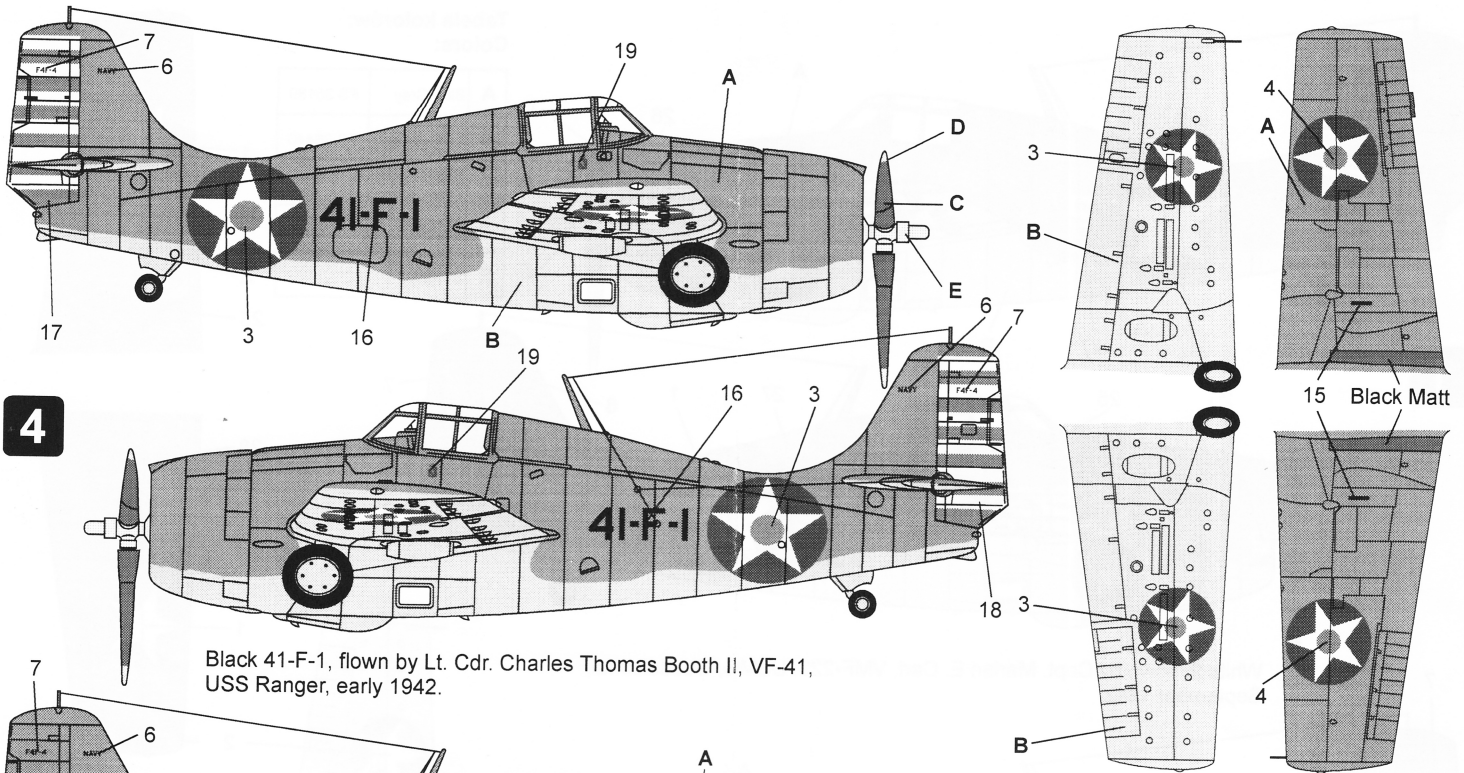
Black 13/Bu.No.03508, flown by Capt. Marian E. Carl, VMF-223, USMC, Guadalcanal, September 1942.



Zalecany model: F4F-4 Hasegawa

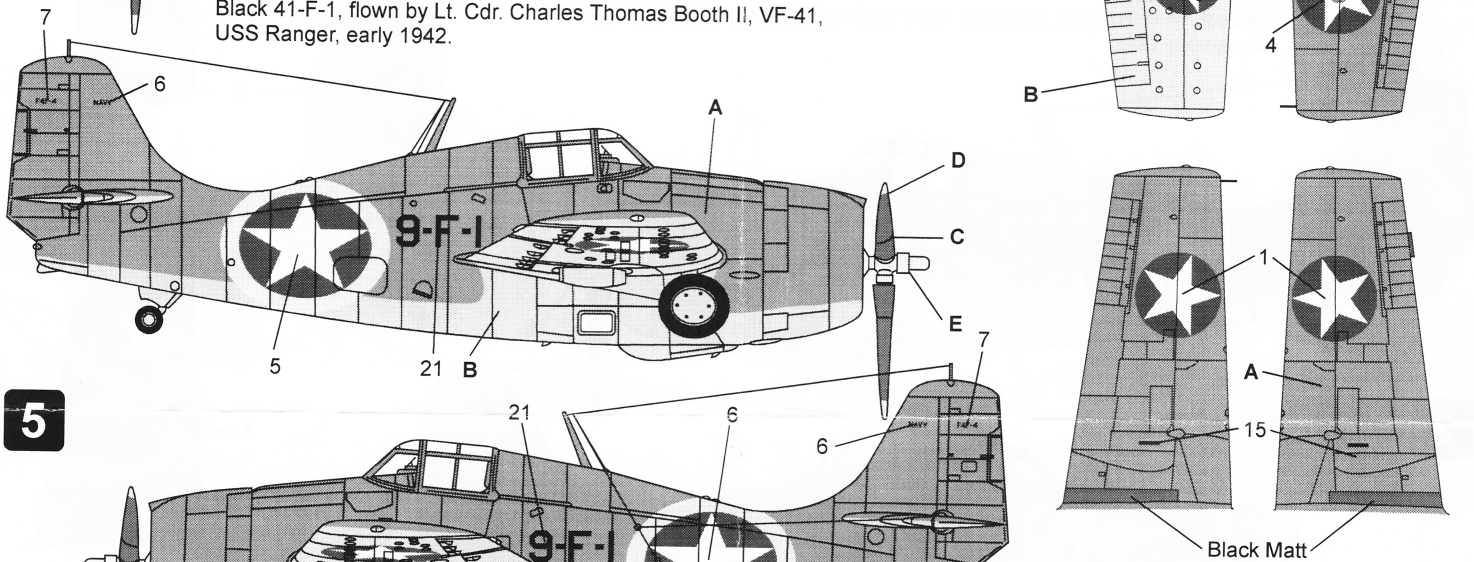
**Literatura:**

1. Monografie Lotnicze, F4F Wildcat, Adam Jarski, AJ Press 1995.
2. Wildcat Aces of World War 2, Barrett Tillman, Osprey Publishing 1995.
3. U.S. Navy Carrier Fighters of W.W.II, Aerodata International, Squadron/Signal, Publication 1987.



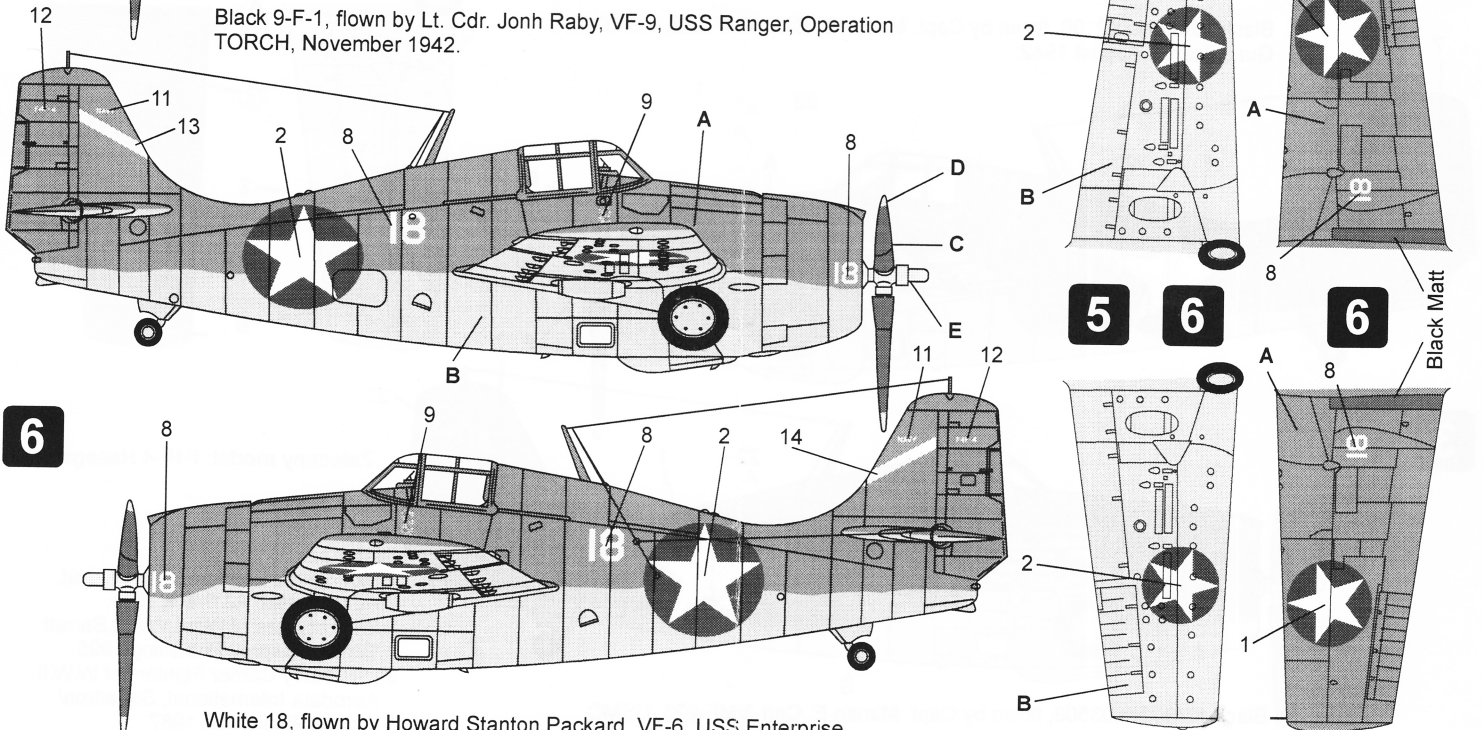
**4**

Black 41-F-1, flown by Lt. Charles Thomas Booth II, VF-41, USS Ranger, early 1942.



**5**

Black 9-F-1, flown by Lt. Cdr. Jonh Raby, VF-9, USS Ranger, Operation TORCH, November 1942.



**6**

White 18, flown by Howard Stanton Packard, VF-6, USS Enterprise, August 1942.