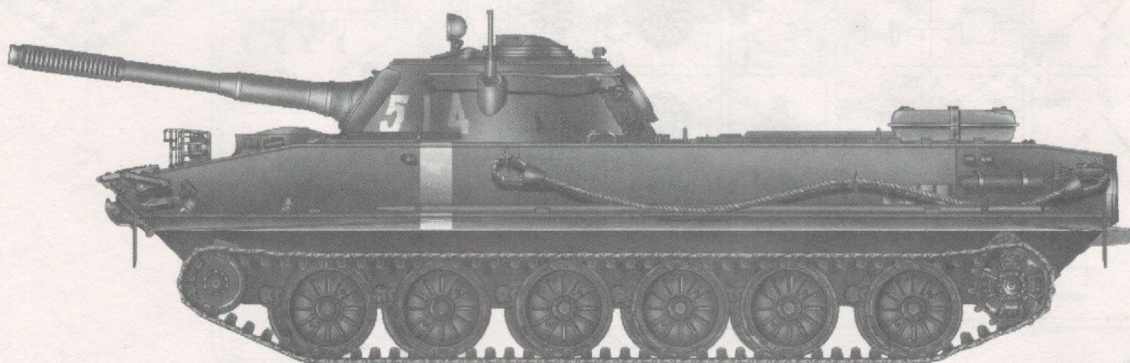


Russian PT-76 amphibious Tank Mod.1951

俄罗斯 PT-76 水陆坦克1951年型



READ BEFORE ASSEMBLY:

- This kit is not recommended for inexperienced modelers or for children under 14 years of age
- Study and understand these instructions thoroughly before beginning assembly
- When needed, remove photo-etch parts carefully using a modeling knife or photo etch sprue cutter, being careful not to damage or lose small parts.
- Take extra care in handling photo etch parts in order to avoid injury
- Apply instant cement sparingly to photo etch parts where instructed
- Tools recommended(not included in kit):Plastic and instant cements,sprue cutters,long nose pliers,,modeling knife, small files, tweezers, pin vise & scissors. Soft cloth and sandpaper will also assist in construction
- Glue and paint are not included in the kit. Use plastic cement and hobby paints only. Color guide for purchasing paint is included in the kit.
- Keep out of reach of children. They must not be allowed to ingest small parts or handle plastic bags in any way.

装配之前仔细阅读

- 小心用模型锉刀锉平所有零件表面的注射浇口。
- 小心用刀片切下蚀刻片零件，不要遗失小零件。
- 用强力快干胶水粘合蚀刻片零件和金属轴。过量的快干胶水使用可能导致可动零件会粘住，小心涂胶。
- 取蚀刻片时应特别注意安全，防止利边划伤手指。
- 某些零件表面需贴水上贴纸，请选择在装配的同时进行。
- 推荐模型工具(自备)：胶水，水口剪刀，长咀钳，刀片，锉刀，镊子，钳，钻，剪刀，瞬间快干胶。
- 软布同砂纸同时也应该是必备工具。
- 请使用塑料胶水和油漆，模型内不含。
- 谨防小孩吸吮塑料零件，或者将塑料袋套在头上，制作时应将套材远离小孩接触。
- 本产品不适合14岁以下没有经验的模型爱好者。

贴纸
Decal锉平
File / Sand选择
Option不涂胶水
No cement弯曲
Bend使用强力胶
Cyanoacrylate glue配重
Weight钻孔
Make hole切除
Cut / Remove

水贴纸的使用:

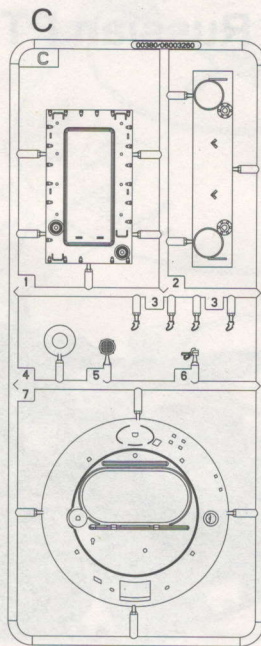
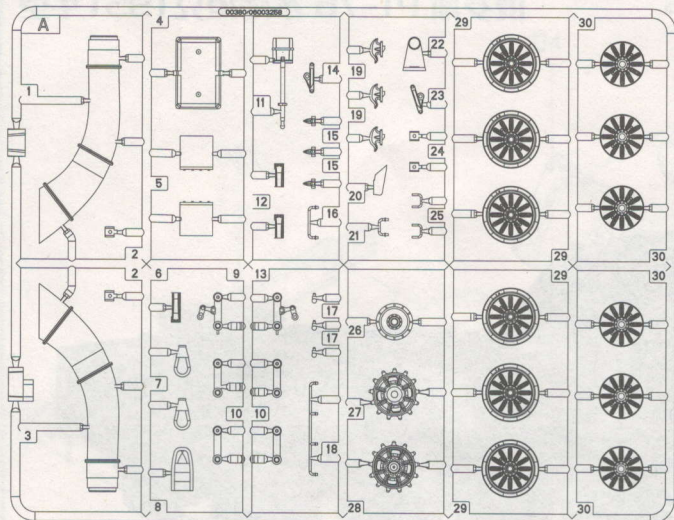
1. 从水贴纸上剪下印花;
2. 将印花放入温水中浸10秒，然后放在干净布上。
3. 拿着印花纸板将印花移到模型上;
4. 手指蘸水将印花移到适当的位置;
5. 用软布轻压印花直至水干，气泡消失。

DECAL APPLICATION

1. Cut off decal from sheet.
2. Dip the decal in tepid water 40°C for about 10 sec. and place on a clean cloth.
3. Hold the backing sheet edge and slide decal onto the model.
4. Move decal into position by wetting decal with finger.
5. Press decal gently down with a soft cloth until excess water and air bubbles are gone.
6. Allow decal to dry completely before handling model.

部品图
Parts

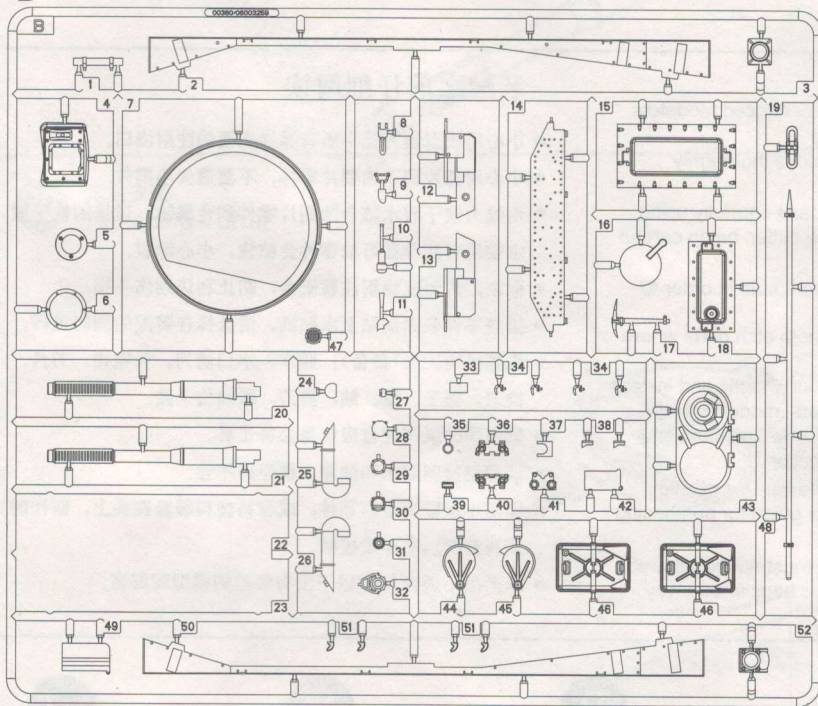
Ax2



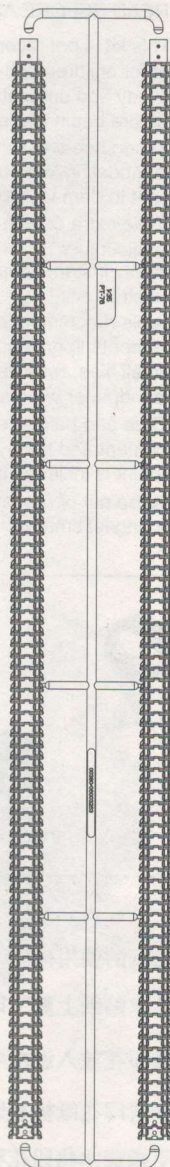
<<水贴>>
Decal



B

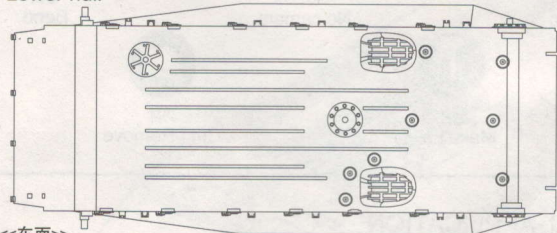


<<履带>>
Tracks



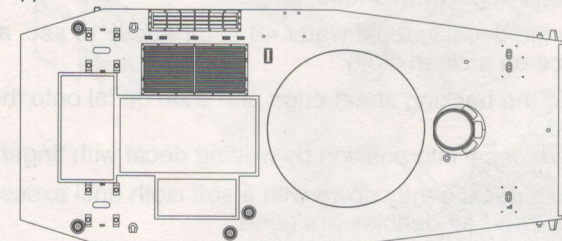
<<车底>>

Lower hull



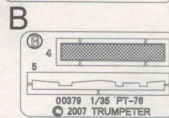
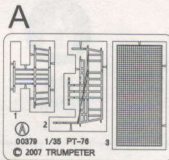
<<车面>>

Upper hull



<<蚀刻片>>

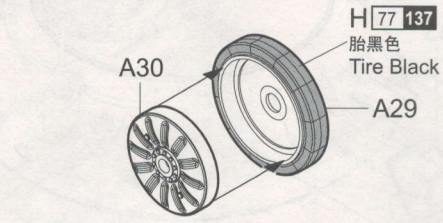
Photo Etched parts(PE)



<<绳>> \varnothing 1x300mm
Cable

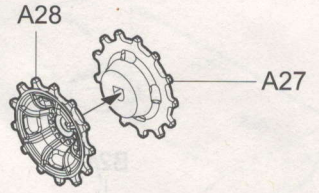
<<铜丝>> \varnothing 0.5x150mm
Brass wires

1 车轮组装
Wheels assembly



<<负重轮>>
Road wheel

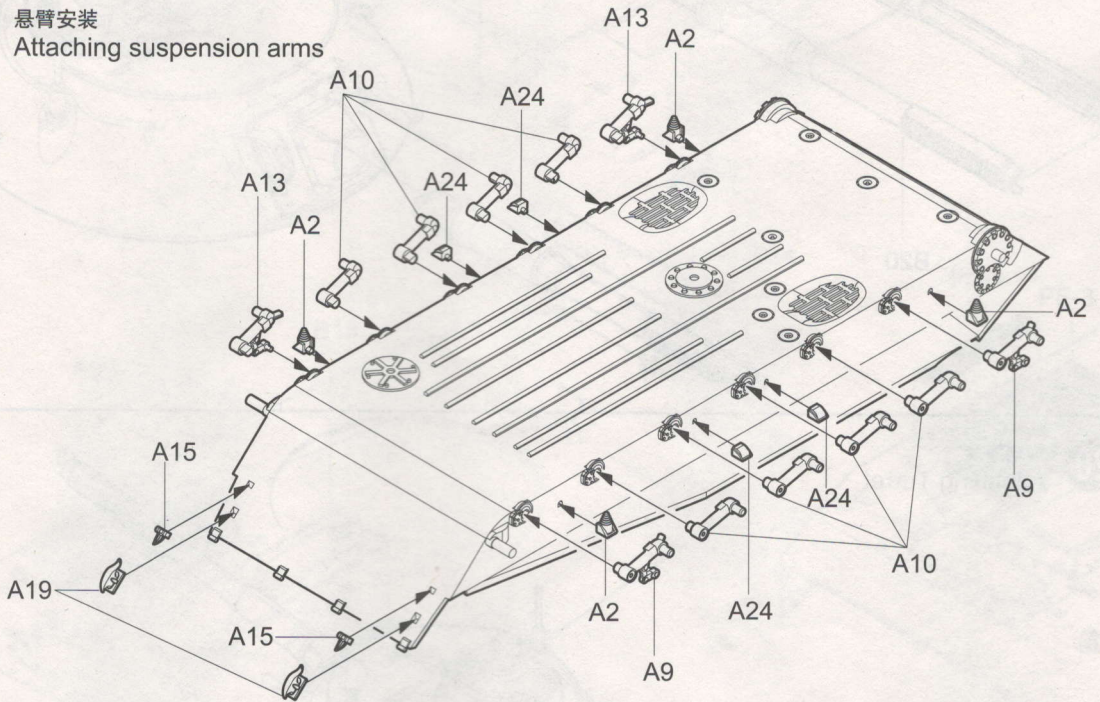
制作12组
Make twelve



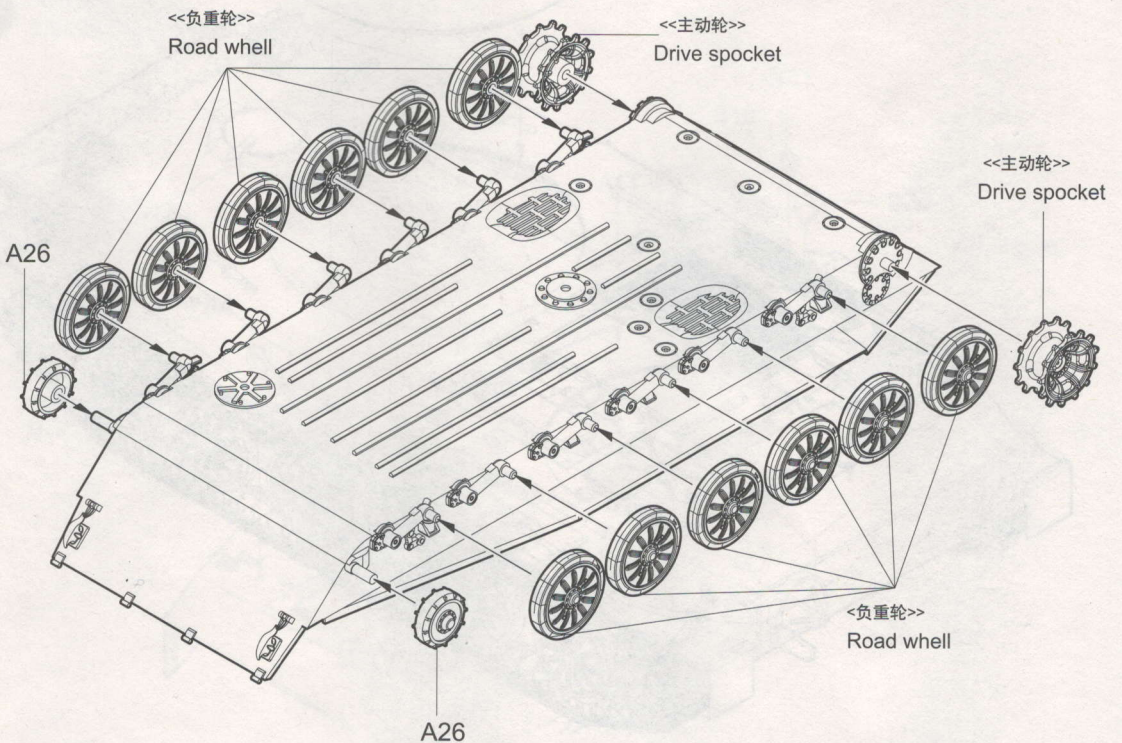
<<主动轮>>
Drive sprocket

制作2组
Make two

2 悬臂安装
Attaching suspension arms

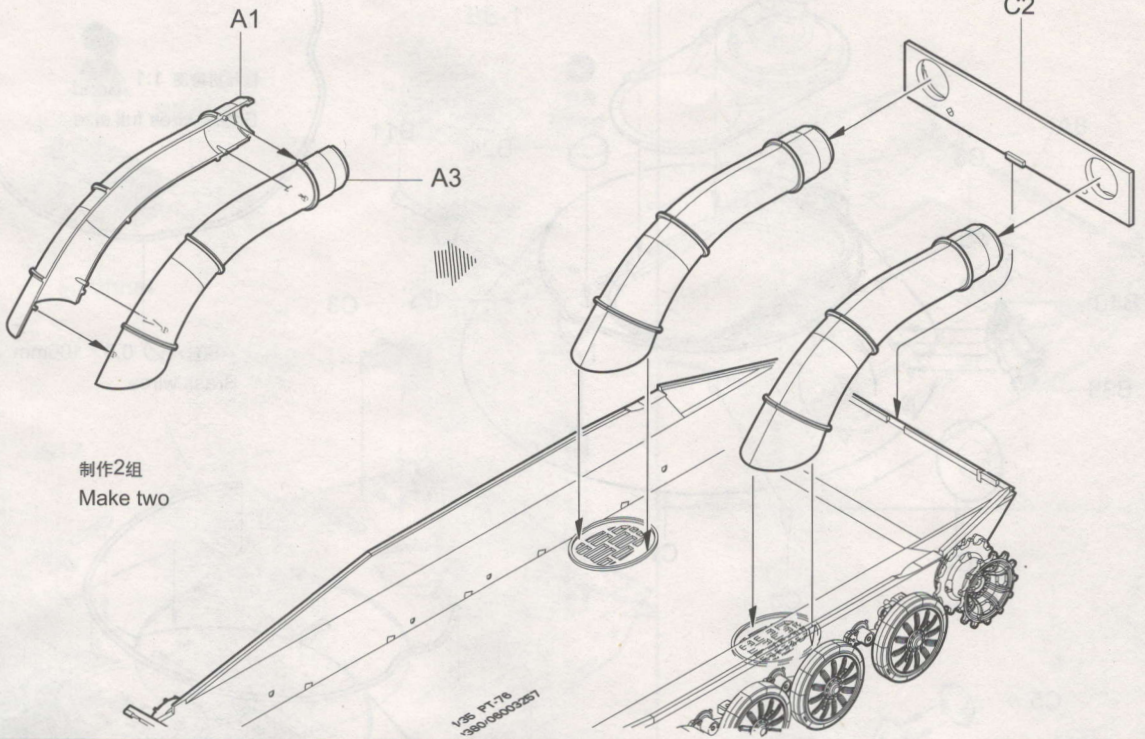


3 车轮安装
Attaching wheels



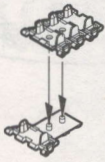
4

车底组装 Lower hull assembly



5

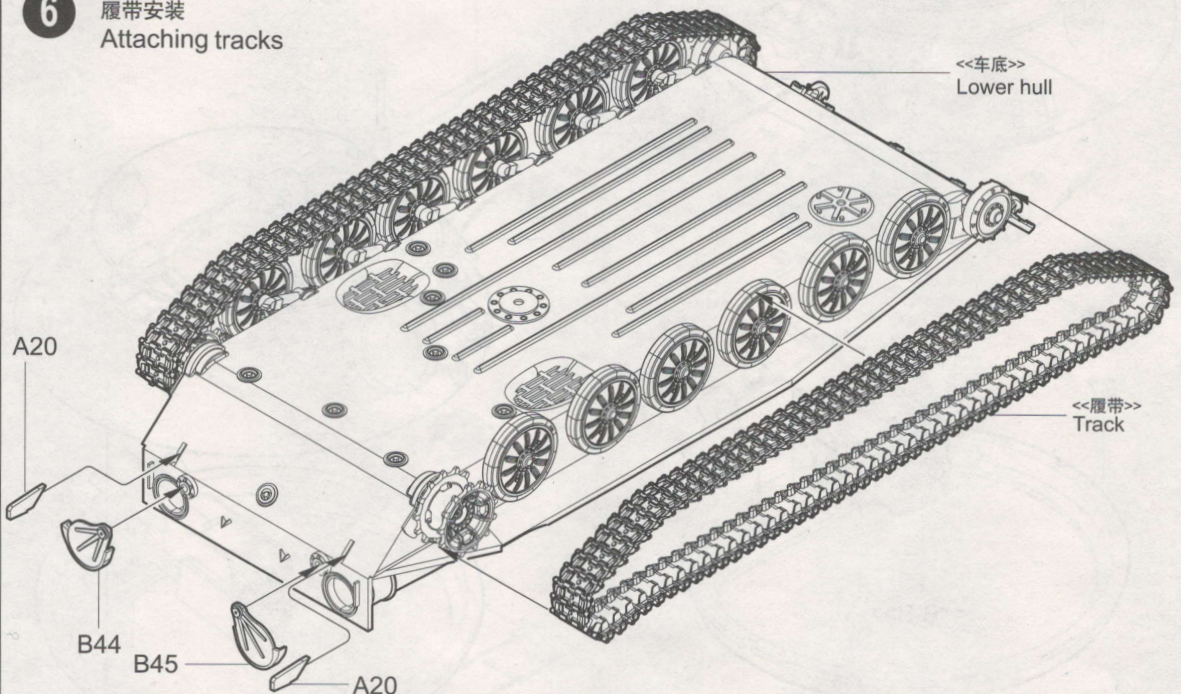
履带的联接 Track construction



- * 履带可用塑料胶水粘合。
- * 履带可用模型油漆喷涂。
- * 若履带断裂，用细丝线固定。
- * The tracks in this kit can be glued using plastic cement.
- * The tracks can be painted using plastic paints.
- * If track is broken strengthen with staples or thread.

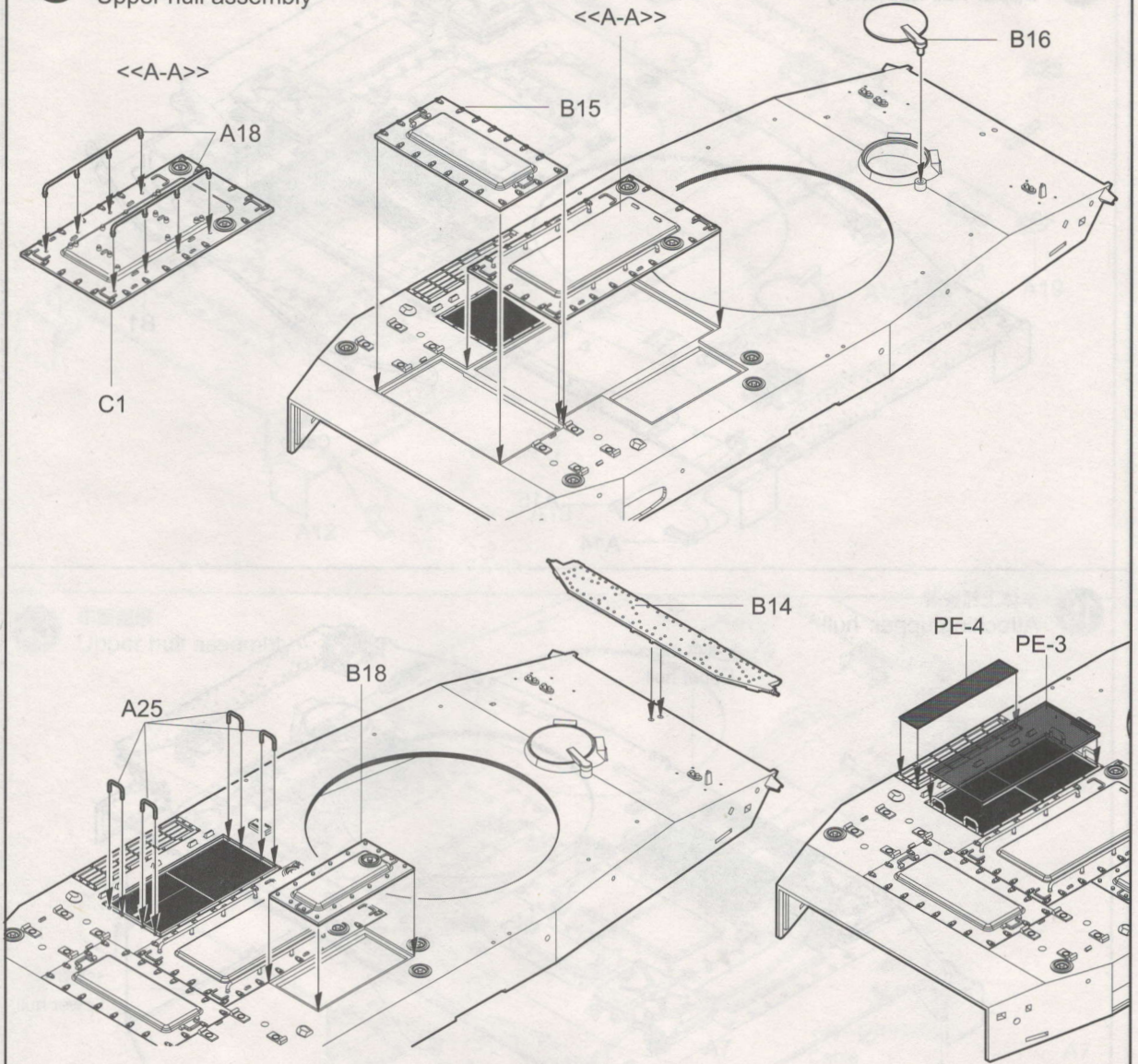
6

履带安装 Attaching tracks



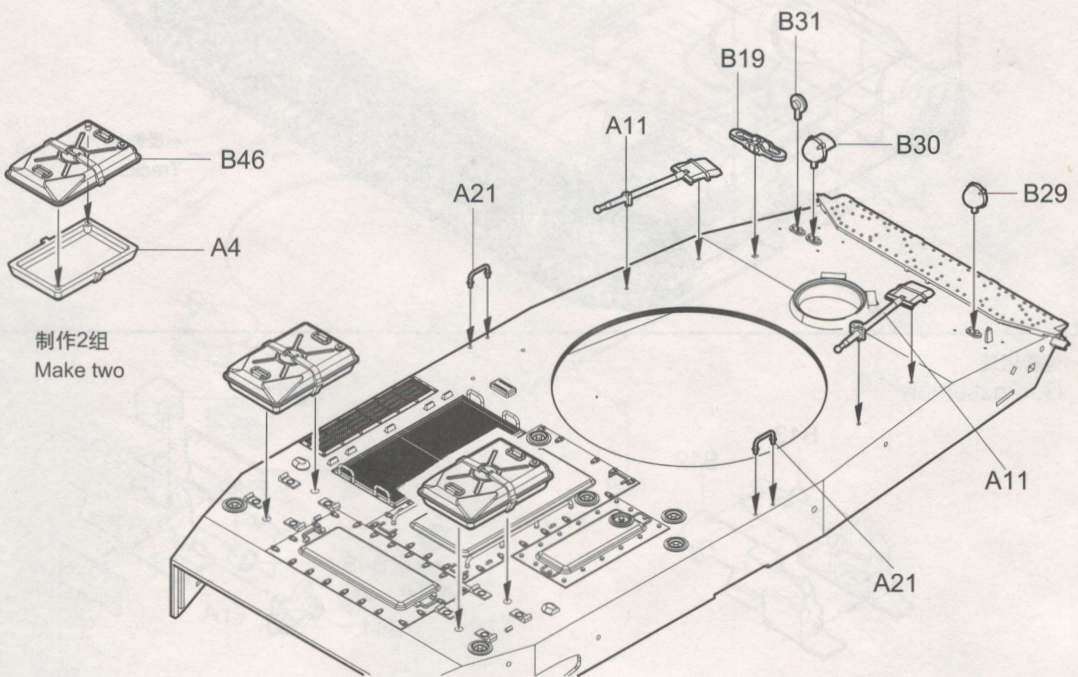
7

车面组装
Upper hull assembly

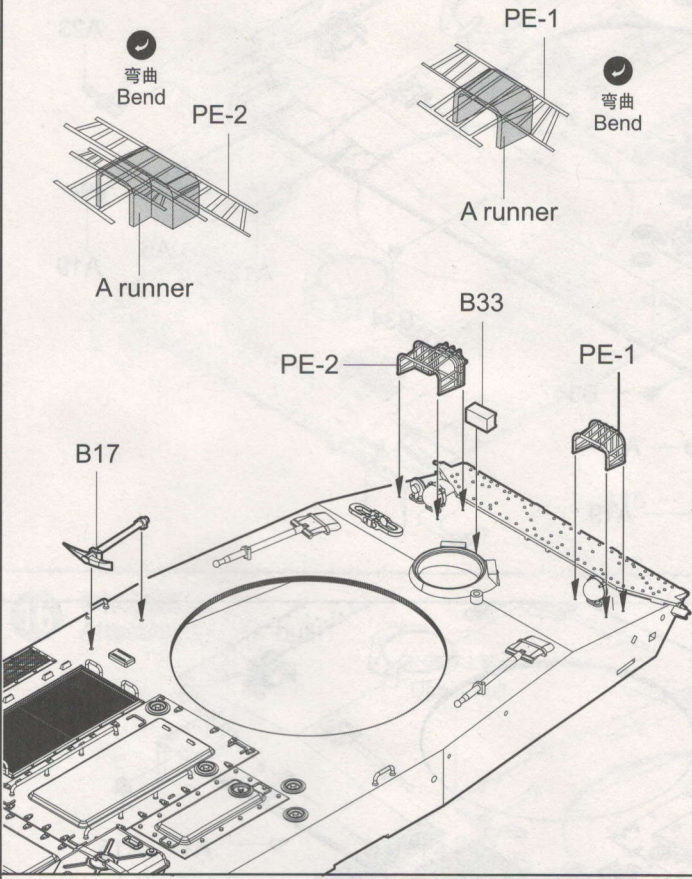


8

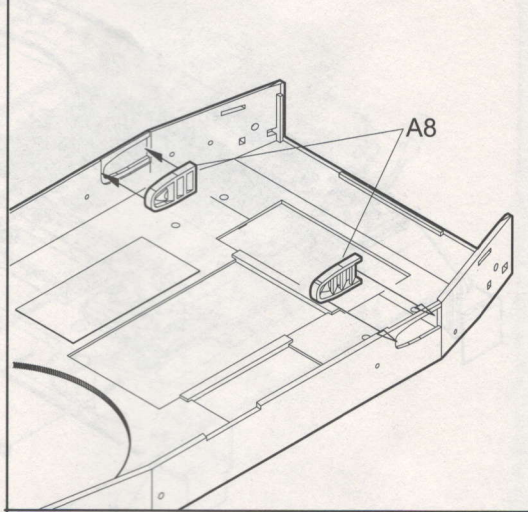
车面组装
Upper hull assembly



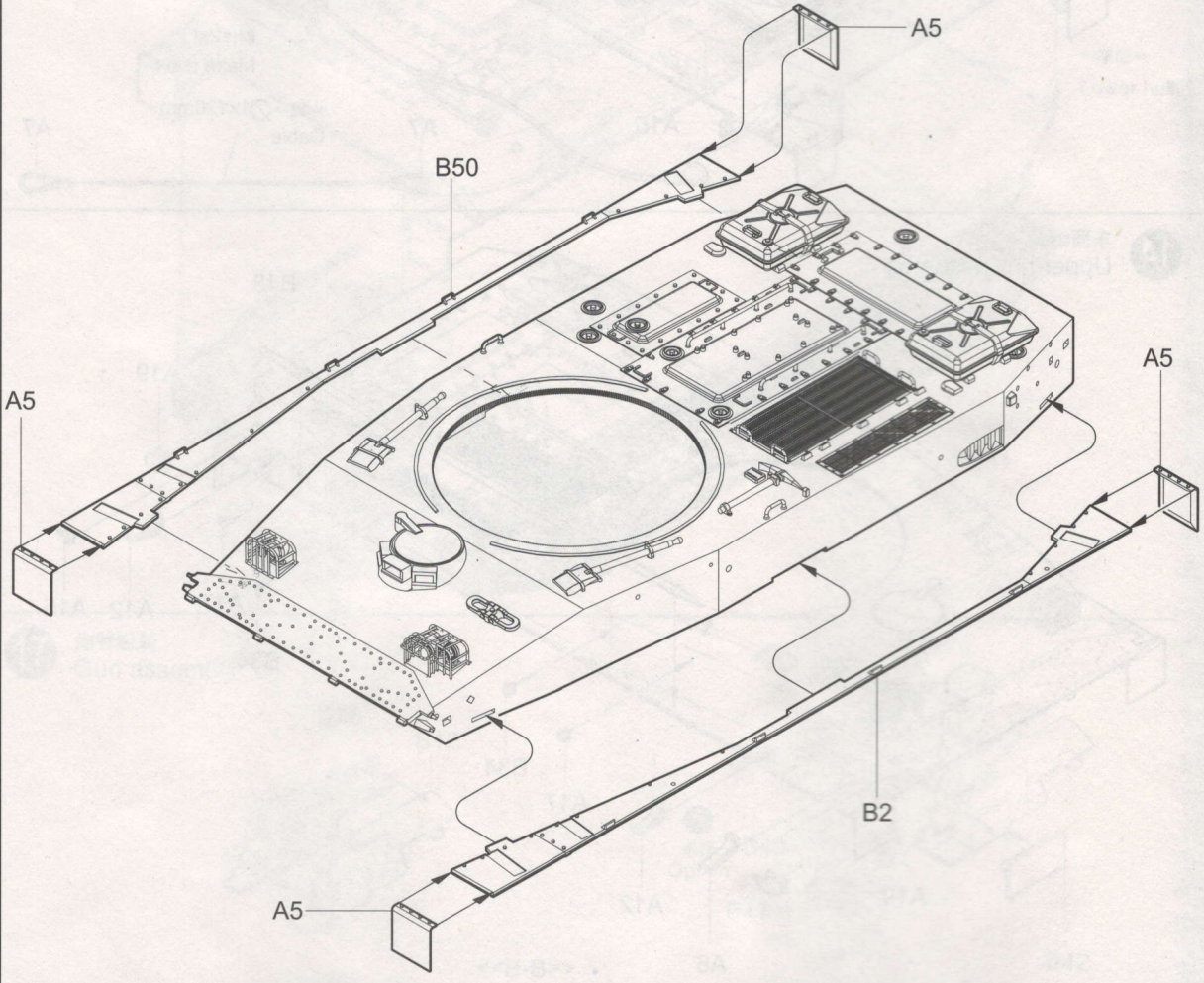
9 车面组装
Upper hull assembly



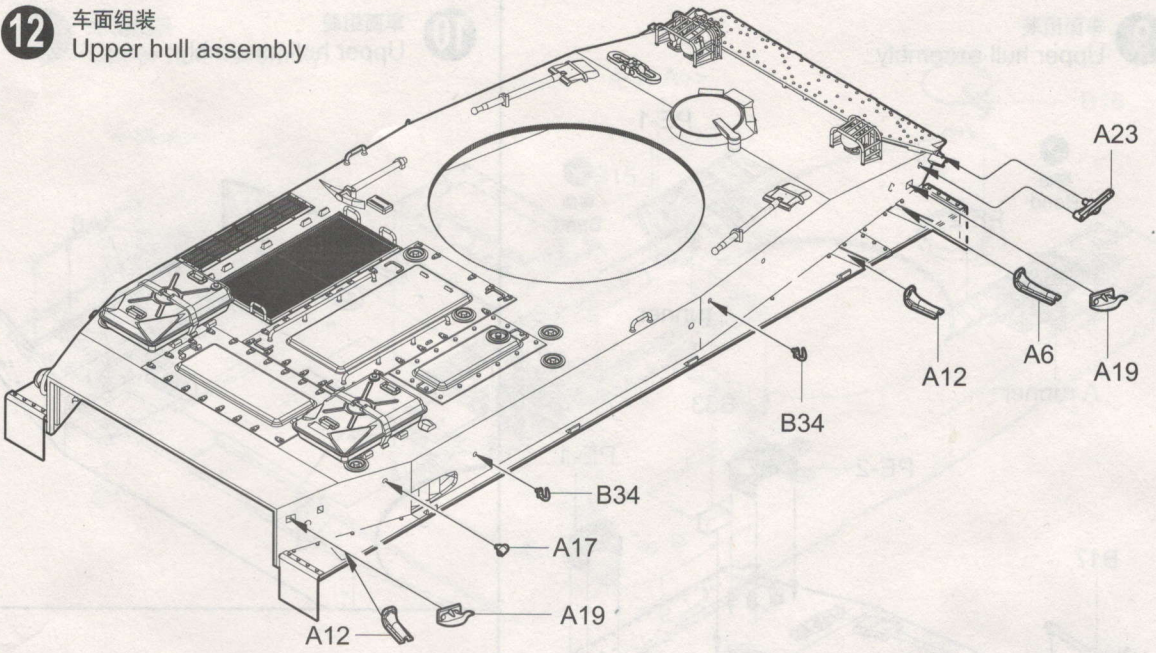
10 车面组装
Upper hull assembly



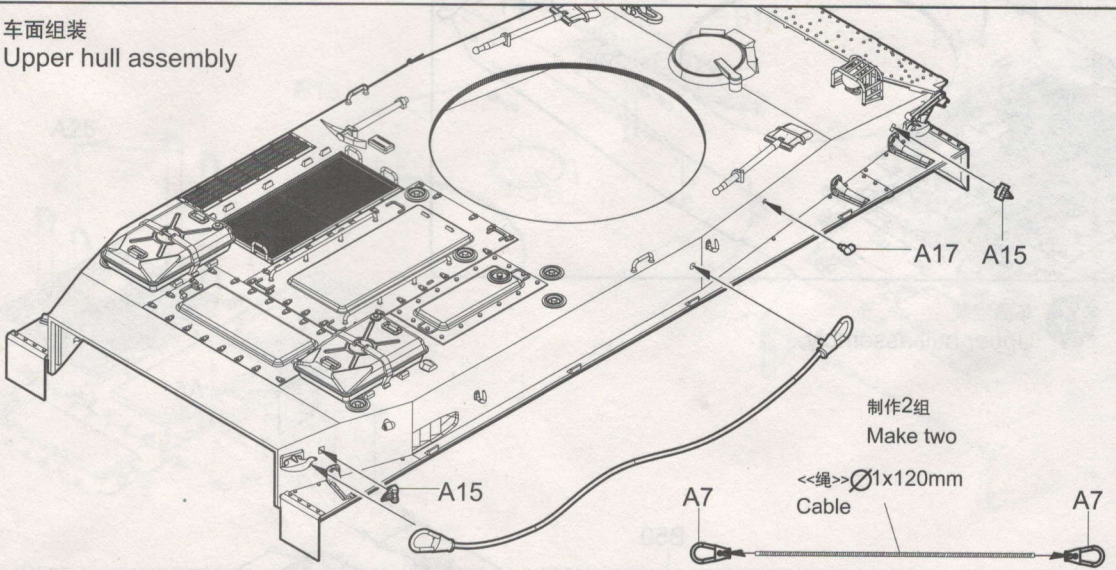
11 车面组装
Upper hull assembly



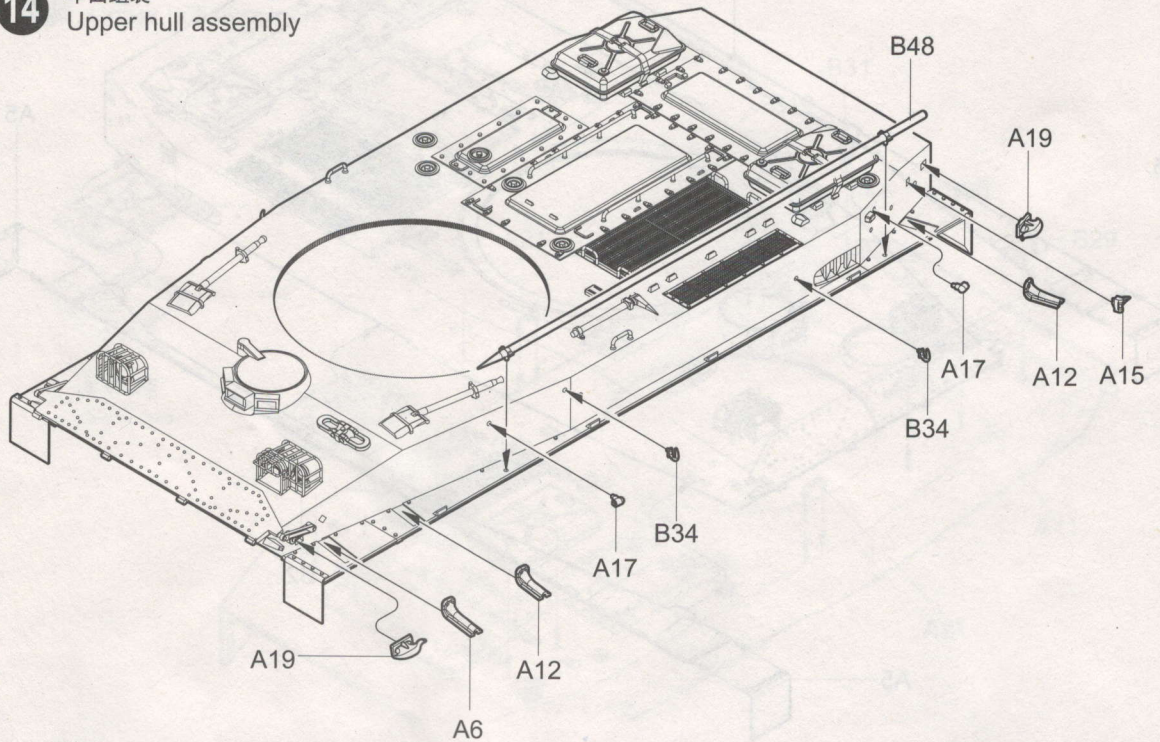
12 车面组装
Upper hull assembly



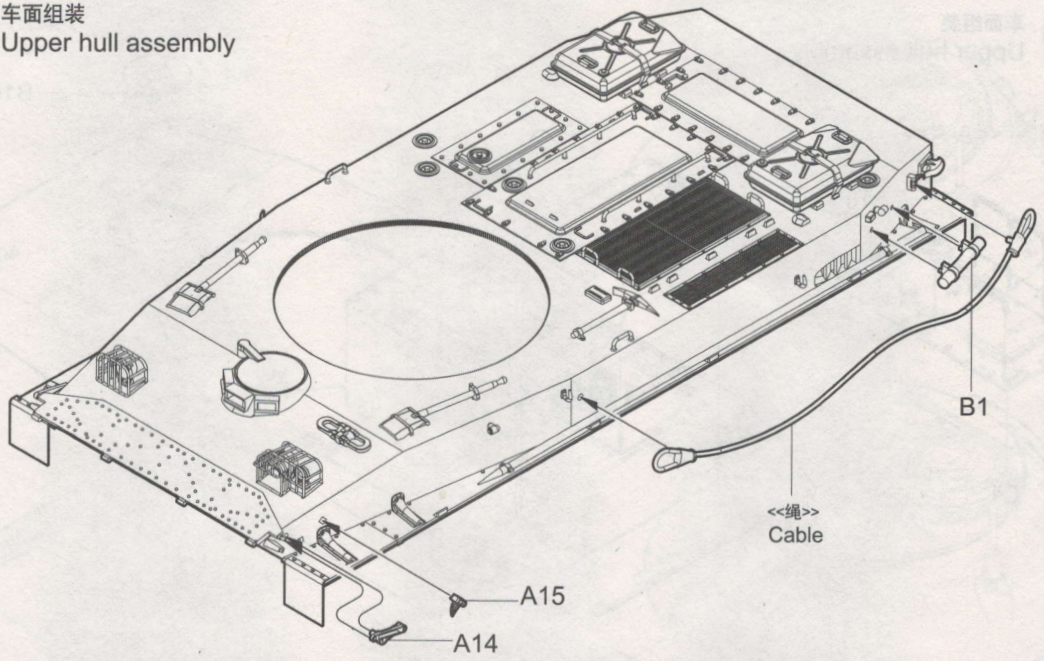
13 车面组装
Upper hull assembly



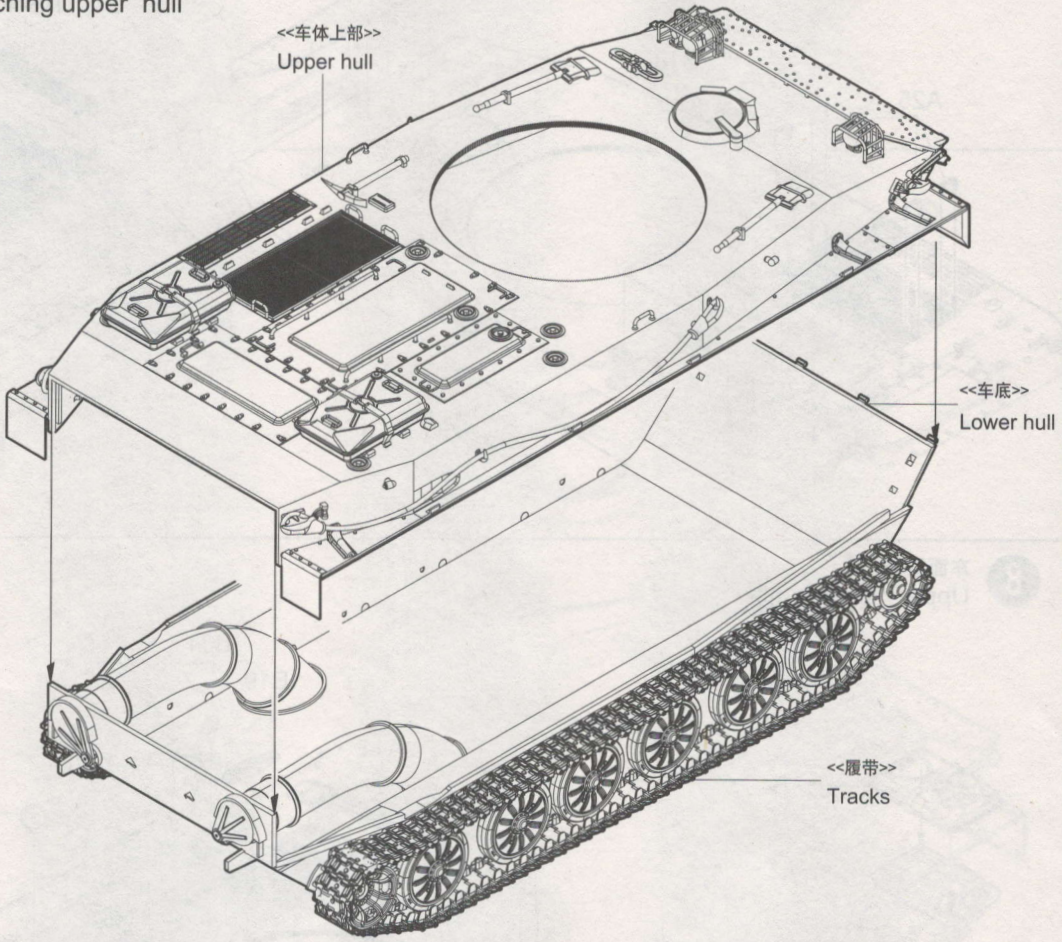
14 车面组装
Upper hull assembly



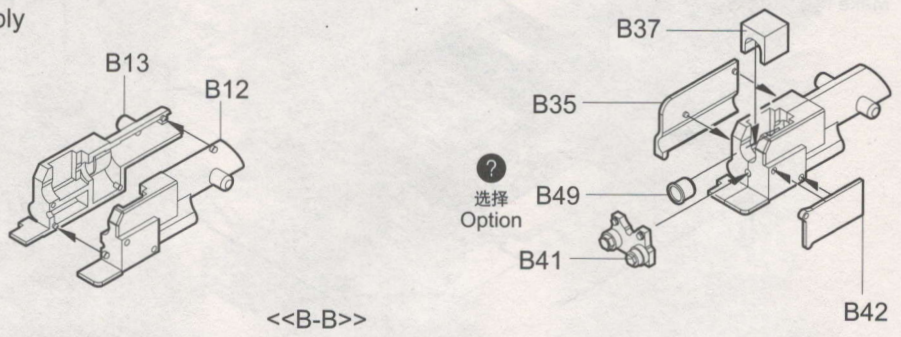
15 车面组装
Upper hull assembly



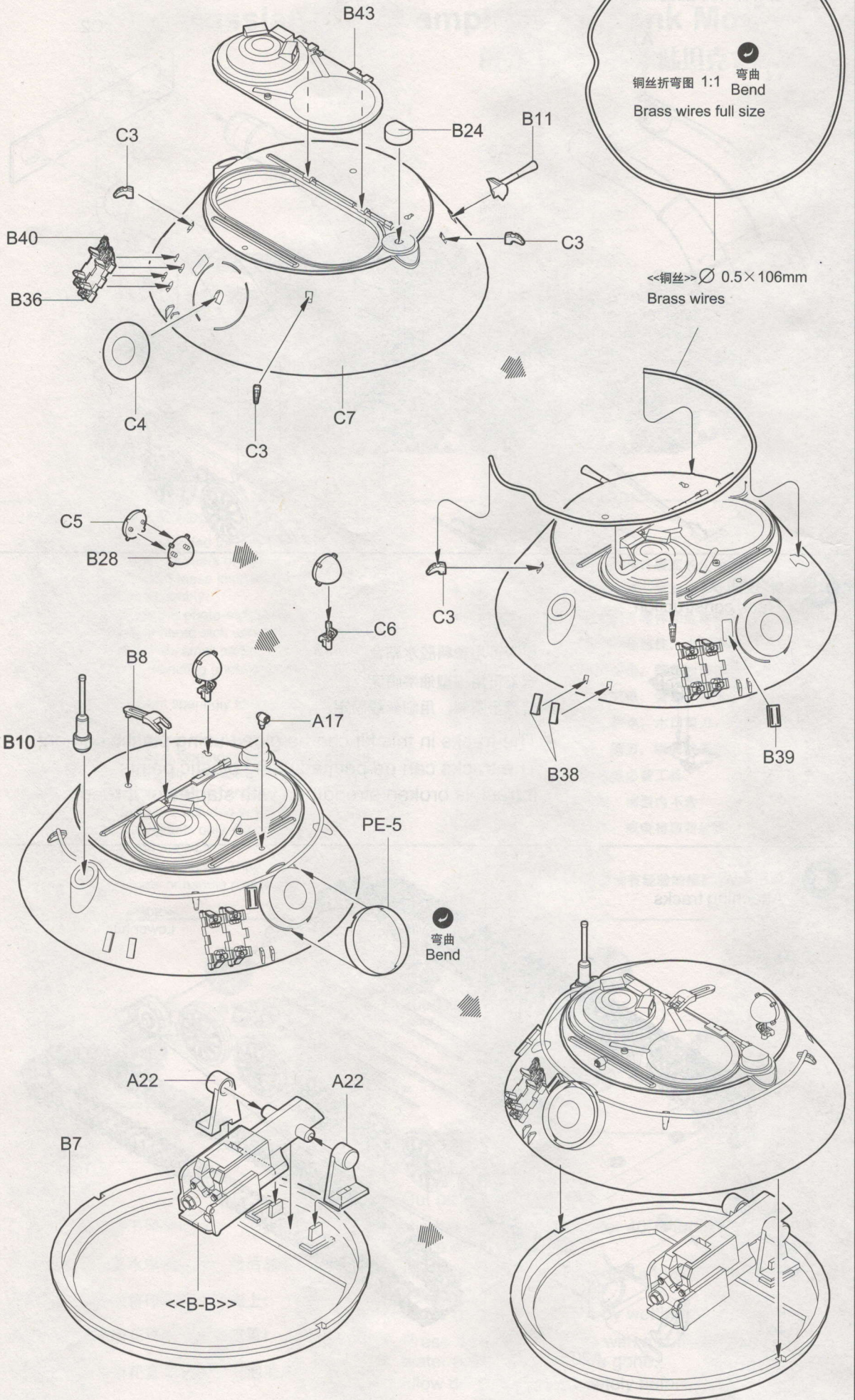
16 车体上部安装
Attaching upper hull



17 炮管组装
Gun assembly

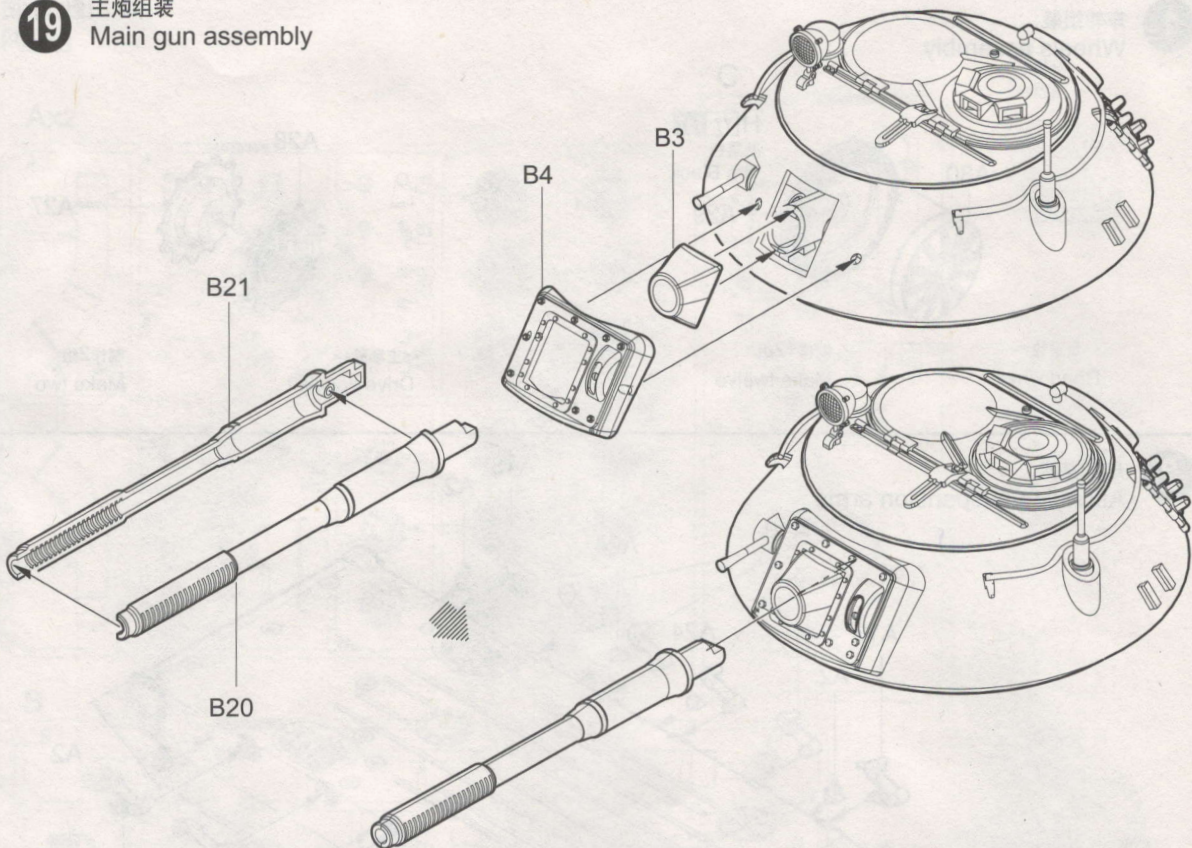


18 炮塔组装
Turret assembly



19

主炮组装
Main gun assembly



20

炮塔安装
Attaching Turret

