

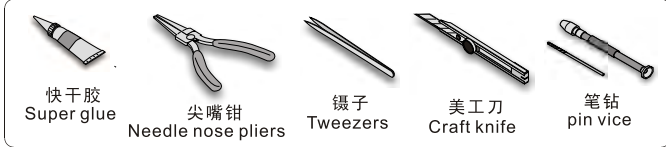
1/35 MILITARY MINIATURE VEHICLE UPGRADE SERIES PEA307

Modern US Army M1A1/ M1A2 stowage bin/baskets/CIP

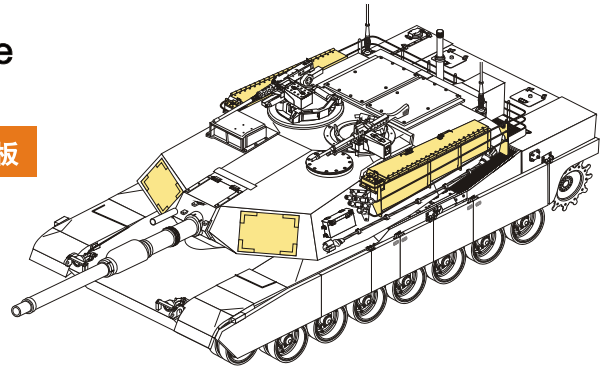
现代美军M1A2 TUSK II主战坦克储物箱/储物篮/识别板

[For TAMIYA 35326]

推荐使用工具 RECOMMENDED TOOLS



- 安装
install
- 折叠
bend
- A1**
改造件零件编号
PE/resin part number
- B12**
原零件编号
kit part number
- C22**
被替换的原零件编号
replaced kit part number
- 切除
remove
- 打磨
grind off
- 弧度卷曲
radial bending
- x2**
制作若干组
multiple assembly
- 另一侧相同制作
repeat on opposite side
- 选择安装
alternative
- 注意
caution
- 扩孔
ream
- 钻孔
drill
- 填补
fill

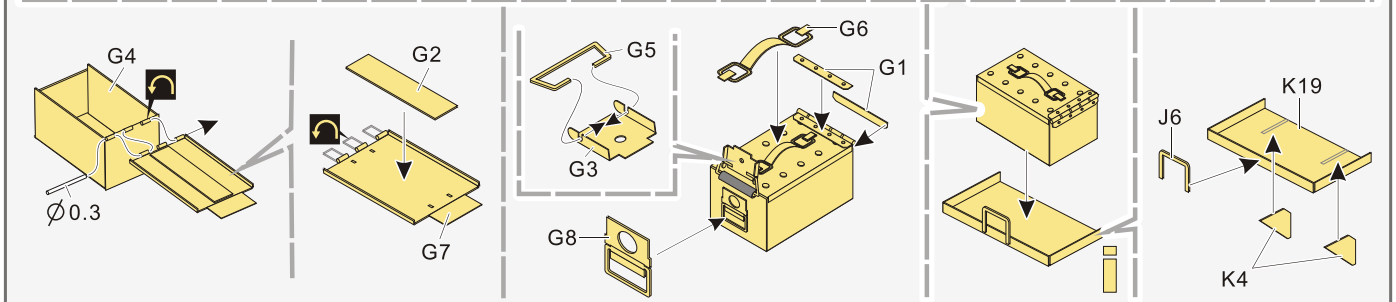
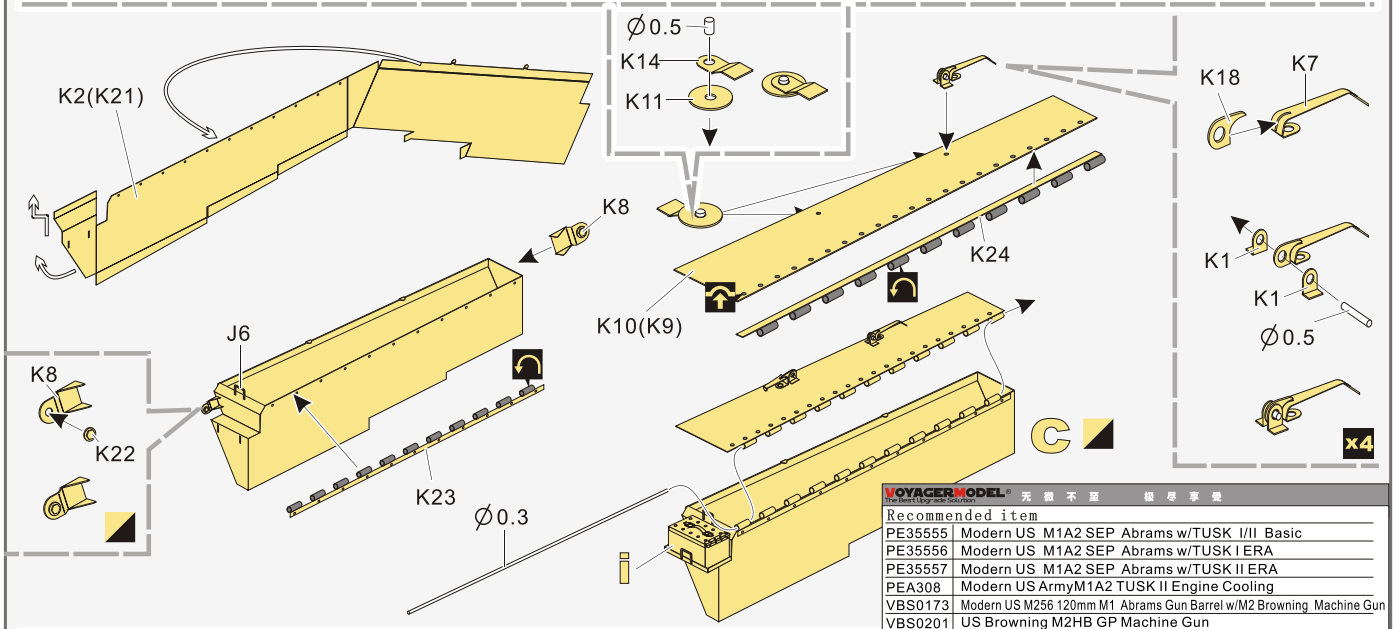
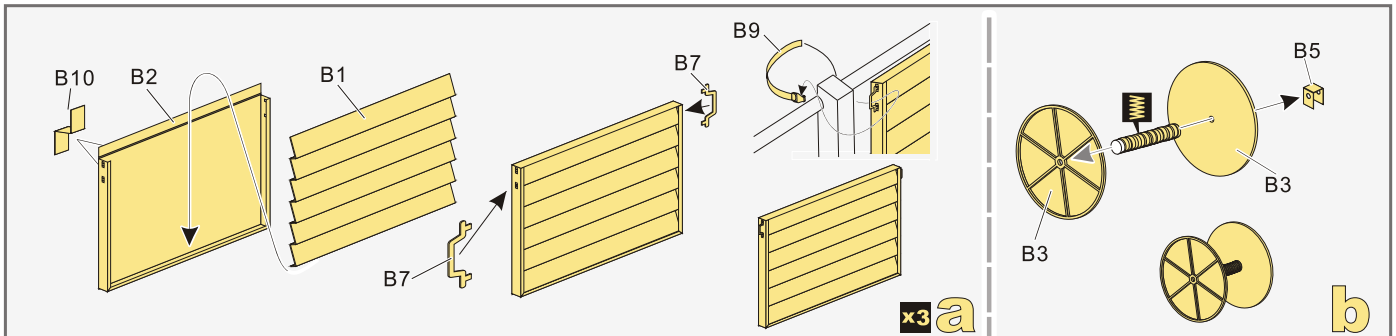


用尖端在凹槽处冲压
use penpoint to press on the dent

蚀刻片零件内侧面向上
Put the part upside down

用笔尖在凹槽处刷
Use penpoint to press on the dent

制作线圈
make coil

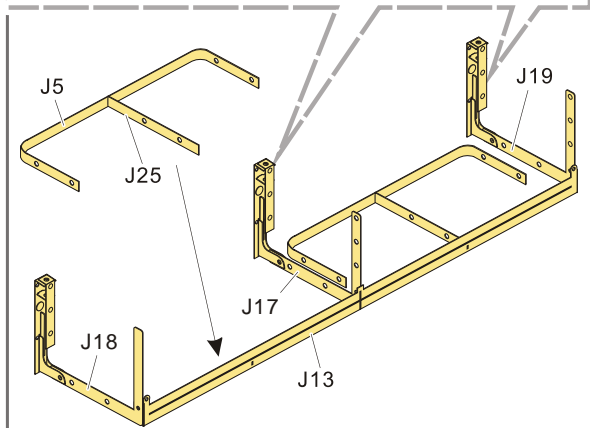
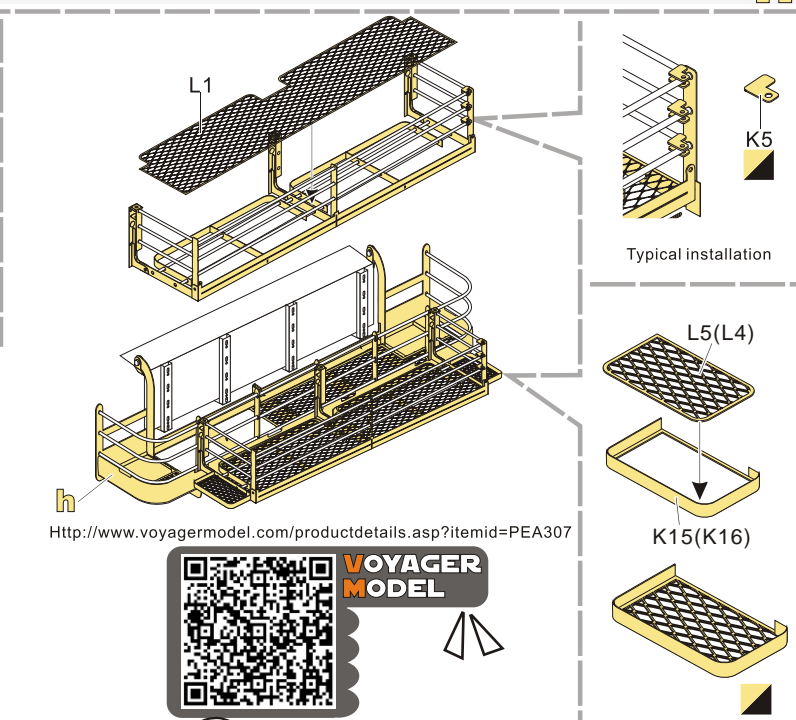
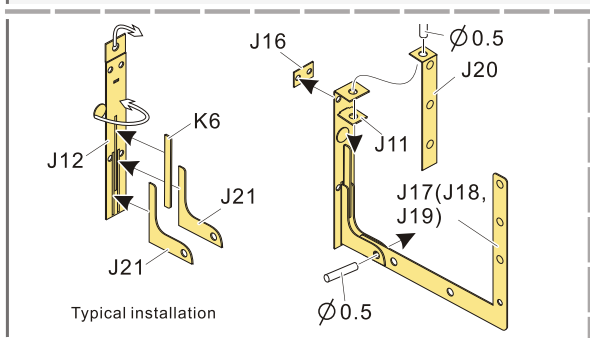
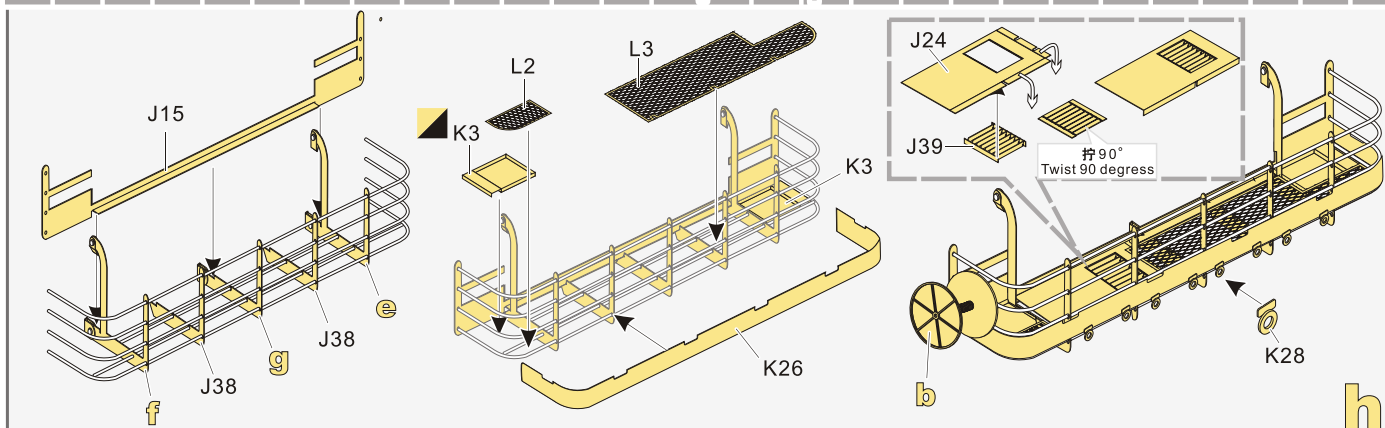
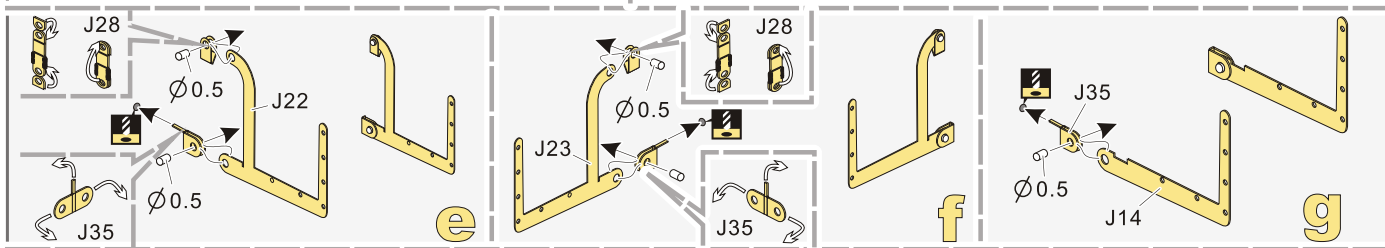
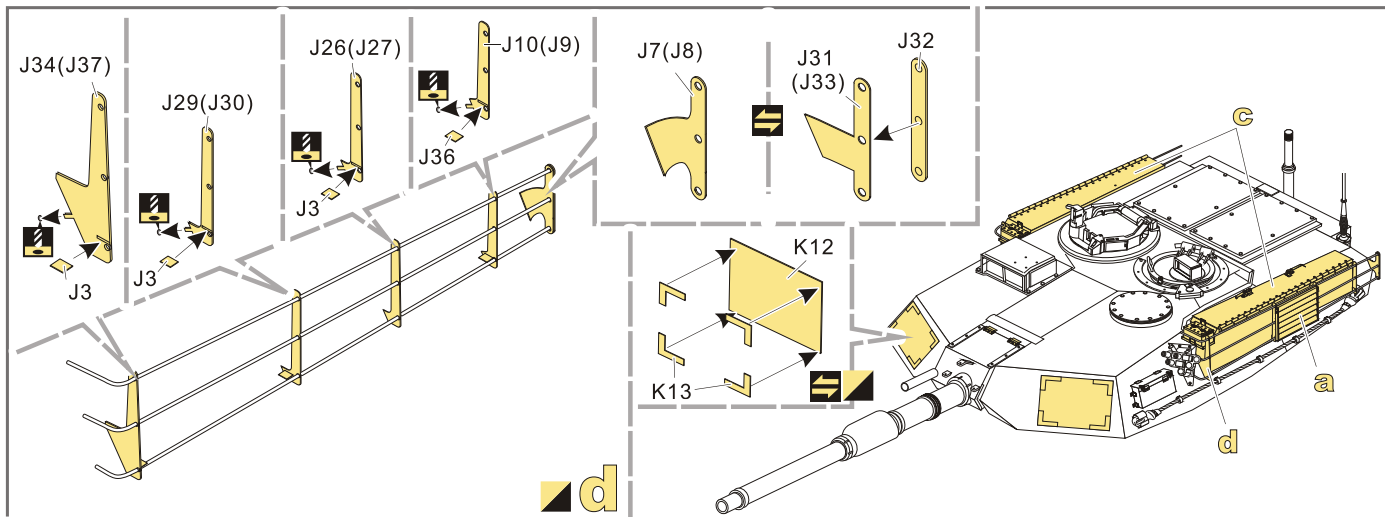


VOYAGERMODEL 无微不至 精益求精

Recommended item

PE35555	Modern US M1A2 SEP Abrams w/TUSK I/II Basic
PE35556	Modern US M1A2 SEP Abrams w/TUSK I ERA
PE35557	Modern US M1A2 SEP Abrams w/TUSK II ERA
PEA308	Modern US Army M1A2 TUSK II Engine Cooling
VBS0173	Modern US M256 120mm M1 Abrams Gun Barrel w/M2 Browning Machine Gun
VBS0201	US Browning M2HB GP Machine Gun

1/35 MILITARY MINIATURE VEHICLE UPGRADE SERIES PEA307



[Http://www.voyagermodel.com/productdetails.asp?itemid=PEA307](http://www.voyagermodel.com/productdetails.asp?itemid=PEA307)



**VOYAGER
MODEL**



更多PEA307样品照片参考请扫一扫
MORE PICTUER OF PE 35750
REFERENCE SCAN HERE