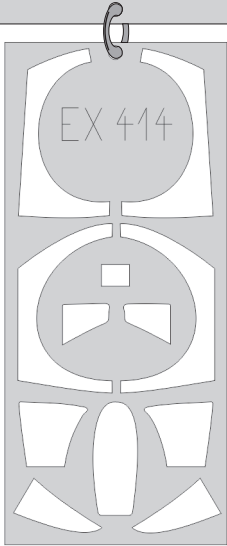


**eduard**  
**MASK**

# F-4C 1/48

The die-cut mask for accurate canopy frame painting of the  
*Academy* *scale 1/48 KIT*

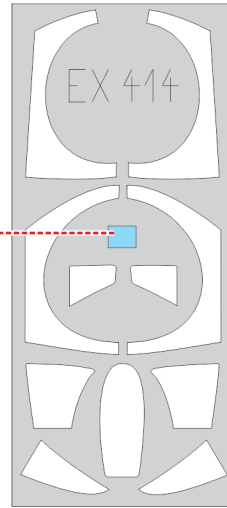
**EX 414**



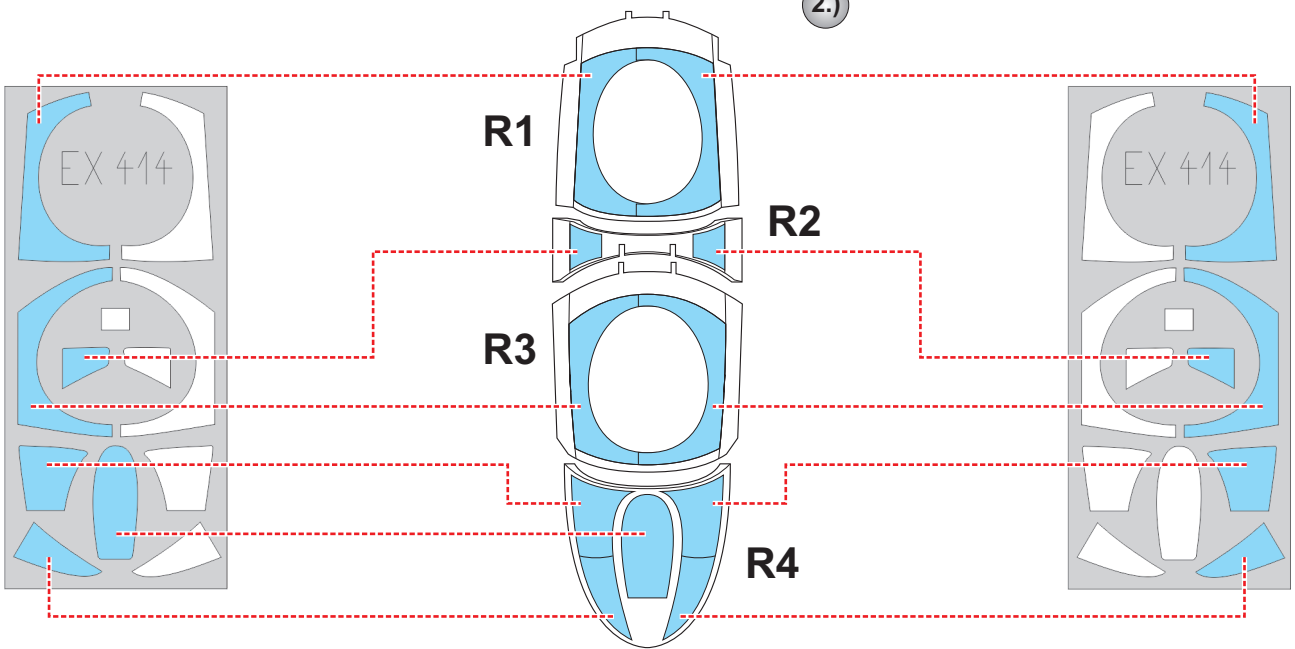
1.)



**R10**

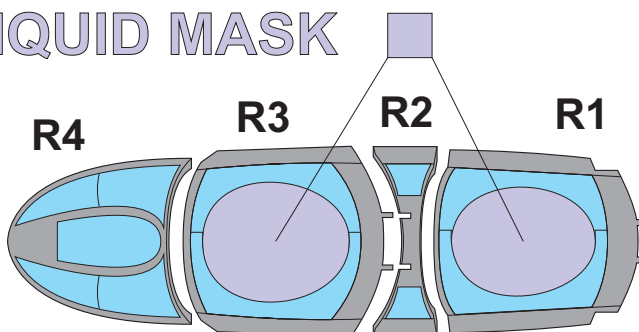


2.)



3.)

**LIQUID MASK**



4.)

