



VERLINDEN PRODUCTIONS

811 Lone Star Drive O'Fallon MO 63366

N°1465

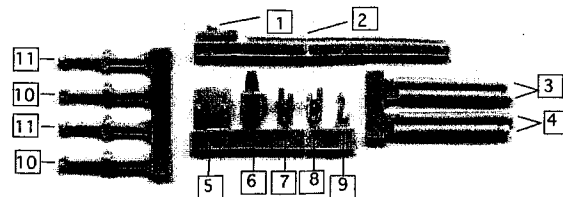
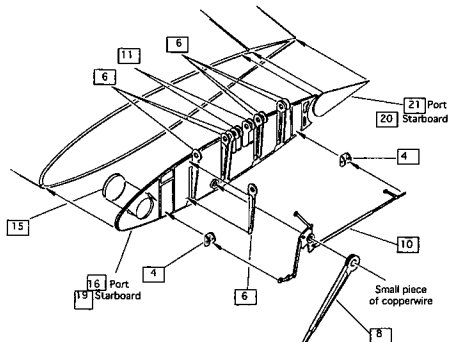
**TR33 Mosquito Conversion Set
(for Tamiya)
1:48 Scale**

Excellent References

**Walk Around #15 Mosquito
Squadron / Signal Publications**

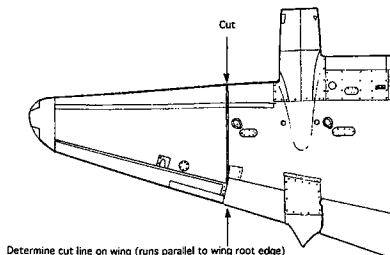
**The comprehensive guide for the
Modeler
"The De Havilland Mosquito"**

**Modelers Data File #1
Scale Aircraft Modeling Publications**

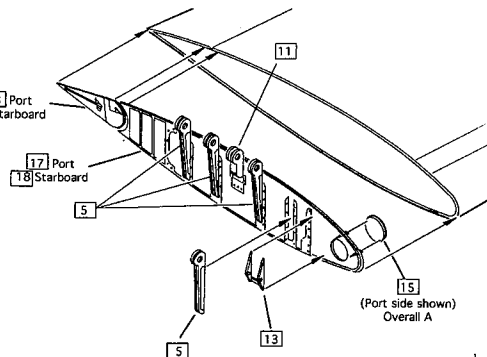


- Indicates Photo-etched part
- Indicates Resin part

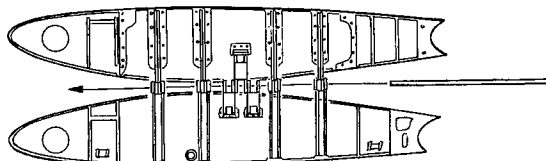
- A**- Interior Green (British)
- B**- Matte Black
- C**- Flat Aluminum
- D**- Dark Green
- E**- Grey
- F**- Burnt Iron
- G**- White
- H**- Copper



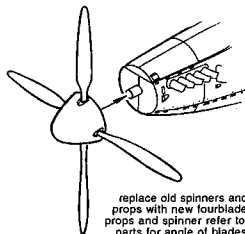
Determine cut line on wing (runs parallel to wing root edge) and lay tape on one side of line using the back side of x-acto, lightly scribe a seam, once deep enough apply more pressure to cut deeper, once deep enough snap apart and thin the inner surfaces as much as possible.



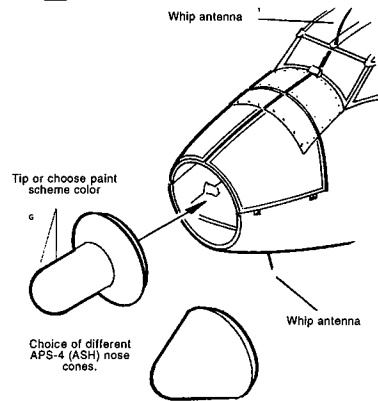
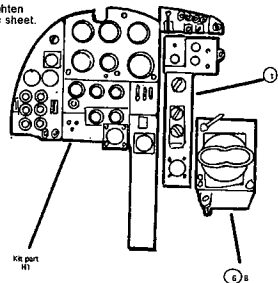
(Port side shown)
Overall A



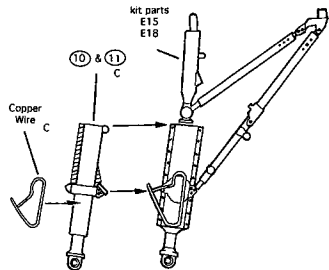
Align wing joints and run copper wire through holes. Straighten copper wire by rolling on a hard flat surface with thick plastic sheet.



replace old spinners and props with new fourbladed props and spinner refer to kit parts for angle of blades.

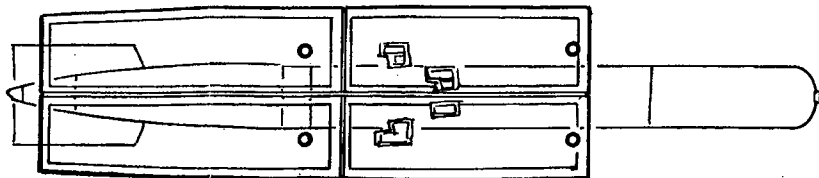


Choice of different APS-4 (ASH) nose cones.

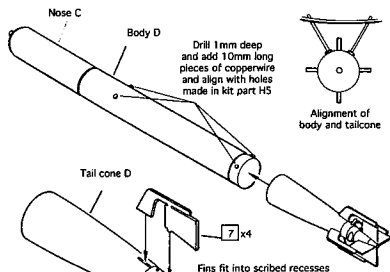
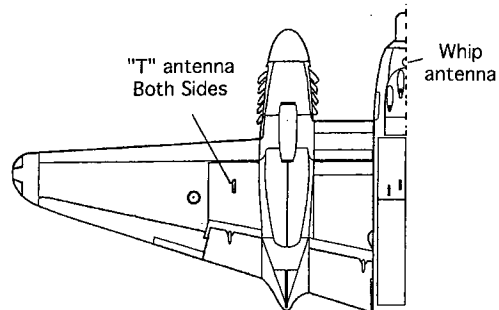
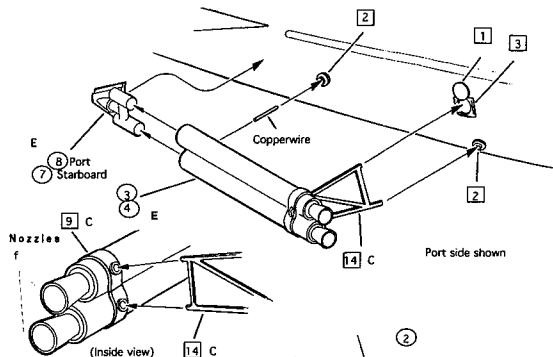


Remove section of landing gear leg and replace with new Lockheed - Style landing gear. Shape Copperwire to replace wheel door cover actuators. Remove shaded areas from parts 10 & 11

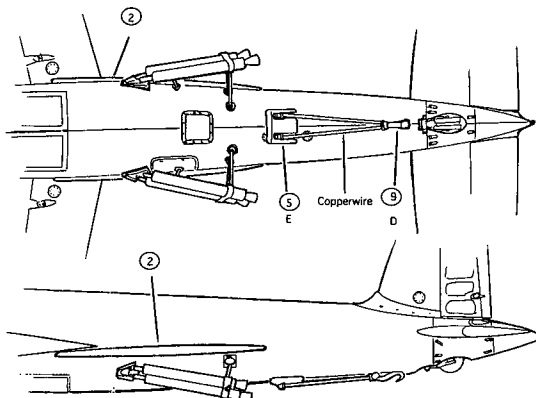
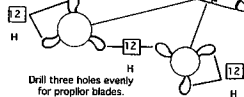
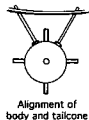
Add new smaller diameter wheels use kit part E9 or E10 on new resin tire.



Cut and place this template on kitpart H5 and locate holes for torpedo mount.



Drill 1mm deep and add 10mm long pieces of copperwire and align with holes made in kit part H5



Location of RATO tanks and arrestor hook. Align fuselage strengthening strip (2) using molded on strip as a guide.

