

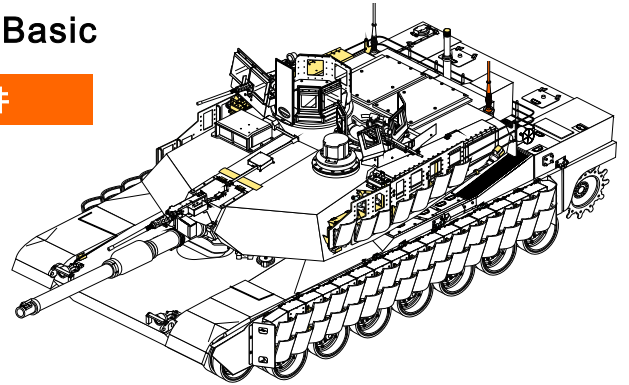
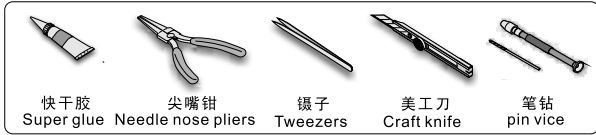
1/35 MILITARY MINIATURE VEHICLE UPGRADE SERIES PE35555

## Modern US M1A2 SEP Abrams w/TUSK2 Basic

### 现代美军M1A2 SEP 艾布拉姆斯TUSK II 基本改造件

[For TAMIYA 35326]

#### 推荐使用工具 RECOMMENDED TOOLS

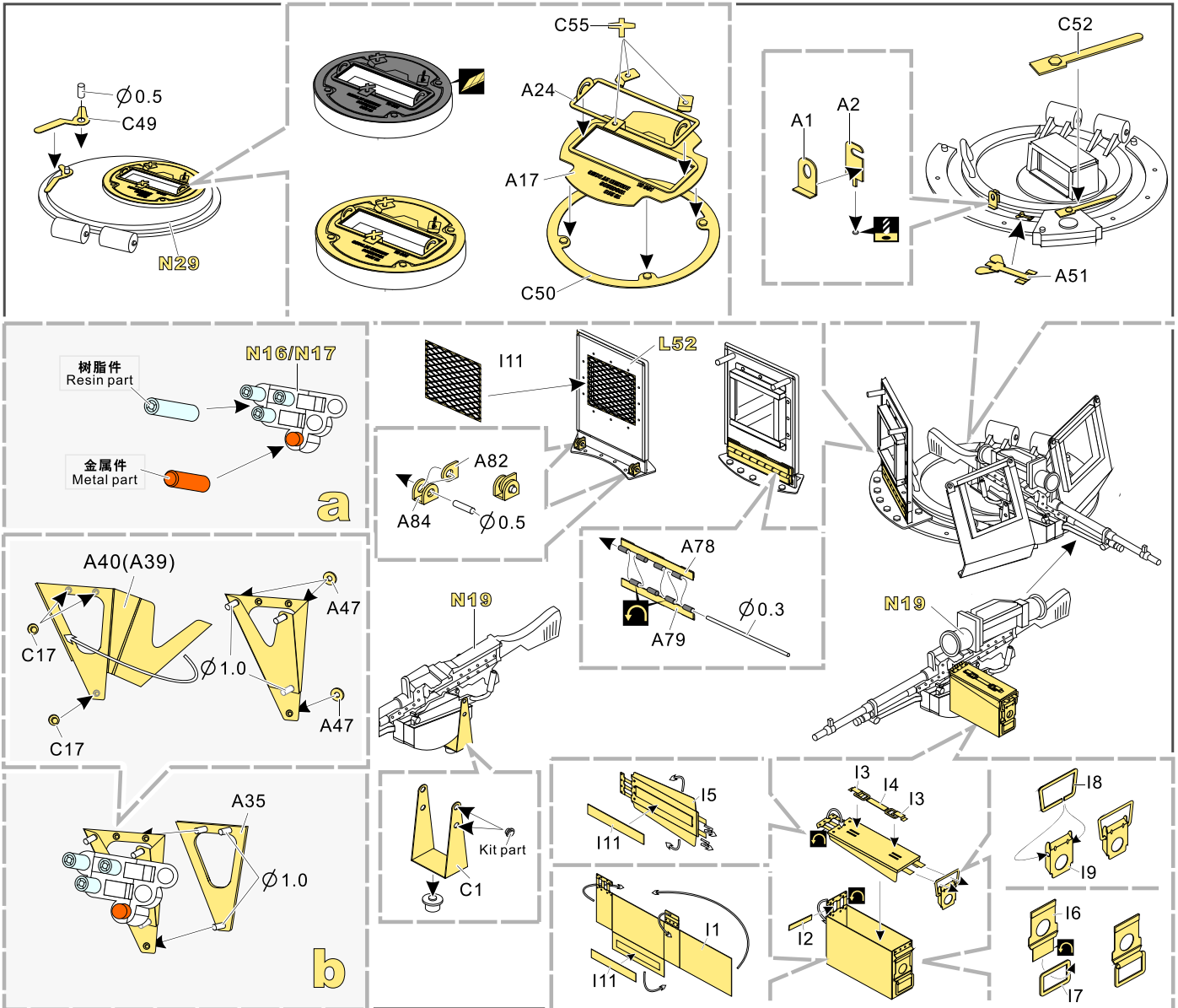


- 安装  
install
- 折叠  
bend
- A1**  
改造件零件编号  
PE/resin part number
- B12**  
原零件编号  
kit part number
- C22**  
被替换的原零件编号  
replaced kit part number
- 另一侧相同制作  
repeat on opposite side
- 切除  
remove
- 打磨  
grind off
- 弧度卷曲  
radial bending
- x2**  
制作若干组  
multiple assembly
- 选择安装  
alternative
- 钻孔  
drill
- 用胶棒制作  
make from plastic rod

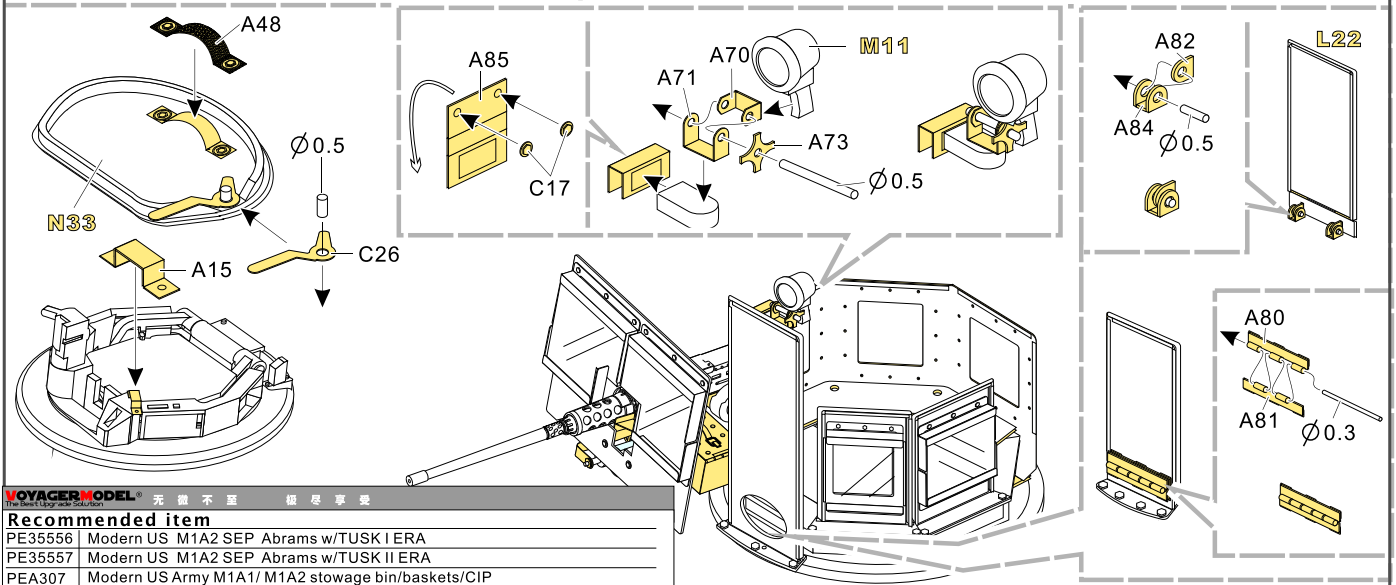
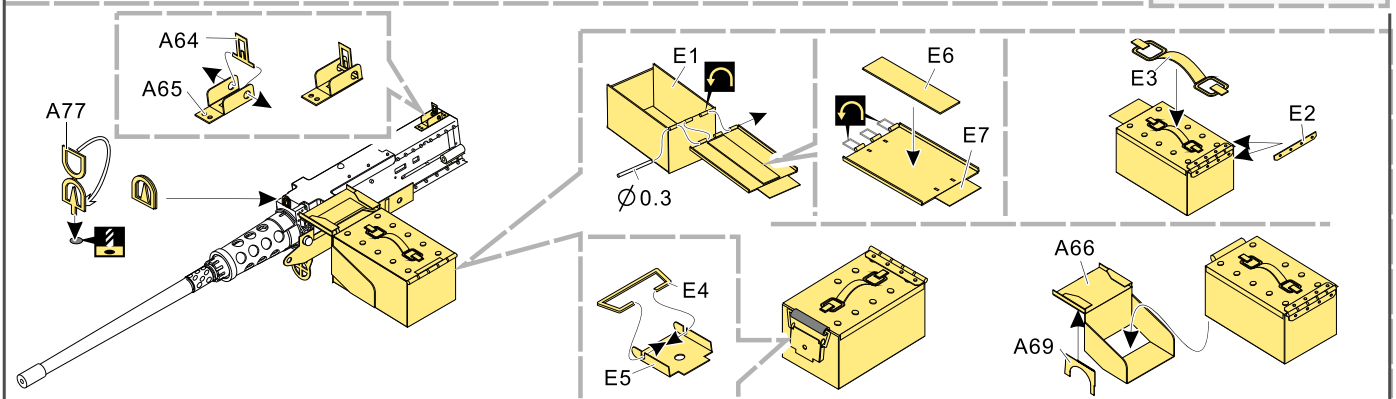
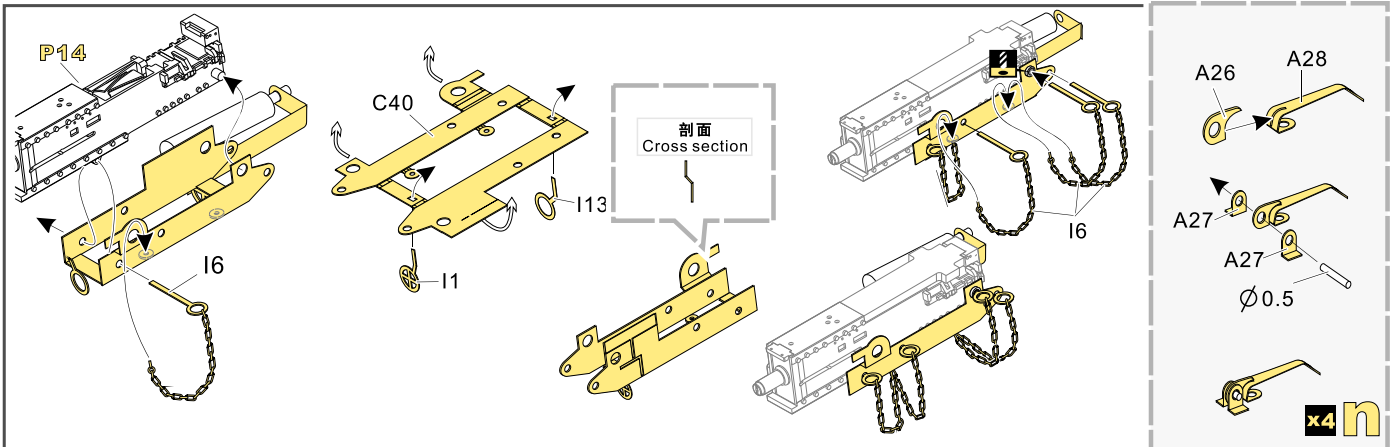
用尖端在凹槽处冲压  
use penpoint to press on the dent

蚀刻片零件内侧面向上  
Put the part upside down

用笔尖在凹槽处刺  
Use penpoint to press on the dent

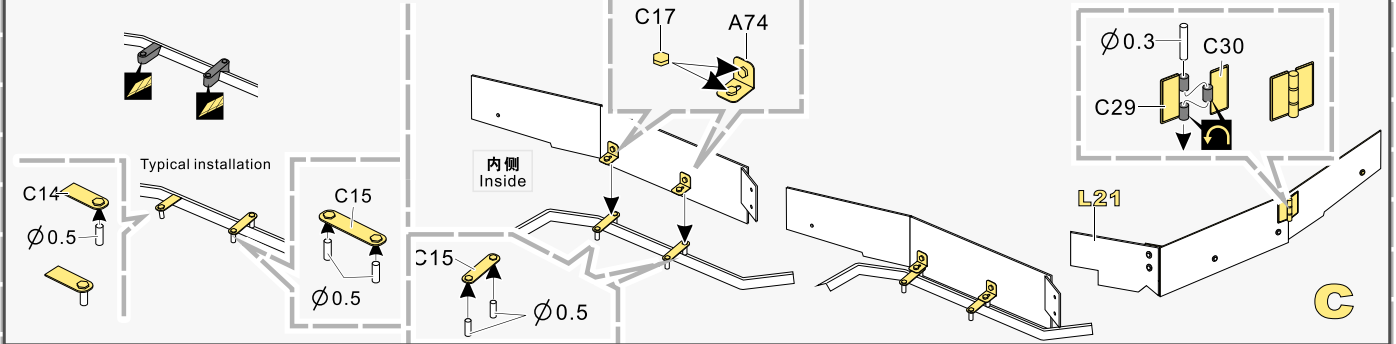


1/35 MILITARY MINIATURE VEHICLE UPGRADE SERIES PE35555



**Recommended item**

PE35556	Modern US M1A2 SEP Abrams w/TUSK I ERA
PE35557	Modern US M1A2 SEP Abrams w/TUSK II ERA
PEA307	Modern US Army M1A1/ M1A2 stowage bin/baskets/CIP
PEA308	Modern US Army M1A2 TUSK II Engine Cooling
VBS0173	Modern US M256 120mm M1 Abrams Gun Barrel w/M2 Browning Machine Gun
VBS0201	US Browning M2HB GP Machine Gun



1/35 MILITARY MINIATURE VEHICLE UPGRADE SERIES PE35555

**Assembly Instructions:**

- Top Left:** Assemble A96 and A45. Attach A32 to the main body. Install A63 and A62.
- Top Right:** Attach C18 and C54 to L30. Assemble A53 with D3. Install A13.
- Middle Left:** Assemble A60, A58, and A61. Attach A29 to A18. Install A22 and A21 (Ø0.3).
- Middle Right:** Assemble A63 and A62. Install A13.
- Bottom Left:** Assemble G4 (Ø0.3) and G2. Attach G7 to G6. Install G5, G3, G8, G1, and G6.
- Bottom Middle:** Assemble A8 and N6. Attach A34 to A68.
- Bottom Right:** Assemble E8, E15, E13, E11, and E12. Install E14, E16, E10, E9, E18, E14, E9, E17, and E14.
- Bottom Far Left:** **自制 Scratch build** C7. **剖面 Cross section** C7. Assemble A11, C2, and A3 (Ø0.3).
- Bottom Far Right:** Assemble C39. Install u, h, n, c, f, b, g, e.
- Special Note:** 细铜缆80mm Cable 80mm. 金属件 Metal part (x2 h).

**Reference:** <http://www.voyagermodel.com/productdetails.asp?itemid=PE35555>

**VOYAGER MODEL**

更多PE35555样品照片请参考扫一扫  
MORE PICTUER OF PE 35555  
REFERENCE SCAN HERE

1/35 MILITARY MINIATURE VEHICLE UPGRADE SERIES PE35555

