

LVTP-7 Landing Vehicle Tracked- Personal

LVTP-7 水陸兩用強襲車

LVTP-7履带式运兵车

PLEASE READ BEFORE OPERATION!

- * Tools recommended as below: (Not included)
Adhesives; Paints; Side Cutters; Sharp Edged Pliers; Modeling Knife; Modeling File; Nippers; Drill; Scissors; Sand Paper; Soft Cloth; Cyanoacrylate Glue.
- * Make sure to read this instruction listed below before assembling.
- * The kit contains the small parts, they can be dangerous if swallowed by mistake, so keep them away from reach of children.
- * Cut the all parts off carefully and remove the waste parts into the garbage can.
- * More caution and care should be needed for cutting and handling the photo etched parts.
- * Make attention that some parts should be attached the decal when assembled.
- * During assembling, please tear up and throw away the plastic bags, or may cause the dangerous if wearing over head by children's mistake.
- * When using the adhesives and paints, please do not use them in the closed room or near the fire, also must be very careful to protect your eyes, face and clothes.
- * Adult supervised when assembled by children under 14 years old.

装配前请仔细阅读:

- * 推荐使用的模型工具(请自备):
专用模型胶水, 专用模型油漆, 水口剪刀, 长咀钳, 刀片, 锉刀, 镊子钳, 钻, 剪刀, 软布, 砂纸, 瞬间快干胶等。
- * 用水口剪刀或刀片小心切下所有塑胶零件和蚀刻片零件, 不要遗失小零件。
- * 切取蚀刻片时应特别注意防止利边划伤手指。
- * 用模型锉刀小心锉平所有零件表面的注射浇口。
- * 用适量的强力快干胶水粘合蚀刻片零件和金属轴, 切忌过量, 否则可能导致可动零件被粘住。
- * 注意某些零件表面需在装配时同步贴水上贴纸。
- * 制作时应远离幼儿并将包装袋及时收妥, 谨防小孩玩耍而引起意外。



cyanoacrylate glue
强力胶



weight
配重



make hole
钻孔



cut / remove
切除



option
选择



no cement
不涂胶水



decal
贴纸



bend
弯曲



repair
填补

The method to apply the decals

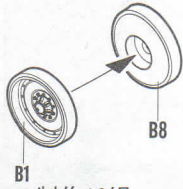
1. Cut off the decal from the decal paper and put it into the warm water 40°C for 10 seconds.
2. Take the decal from the water and put it on a piece of clean cloth.
3. Remove the decal slowly from the paper to the targeted location by a wet finger.
4. Use a piece of dry and soft cloth to press it gently on the decal until it getting dry and no bubble existing.

水贴纸的使用方法:

- 一. 把相关的印花从水贴上剪下, 放入40°C左右的温水中浸10秒。
- 二. 然后将印花放在干净的布上。
- 三. 拿上印花纸, 手指蘸水将印花移到适当的位置。
- 四. 用软干布轻压印花直至水干, 气泡消失。

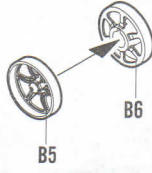
1
STEP

负重轮
Road wheel



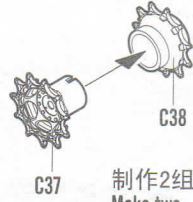
制作12组
Make twelve

诱导轮
Idler wheel

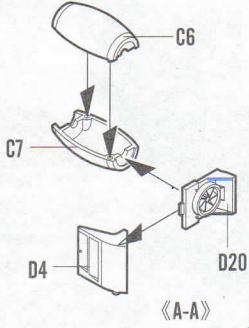


制作2组
Make two

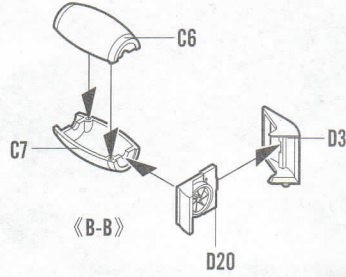
主动轮
Drive wheel



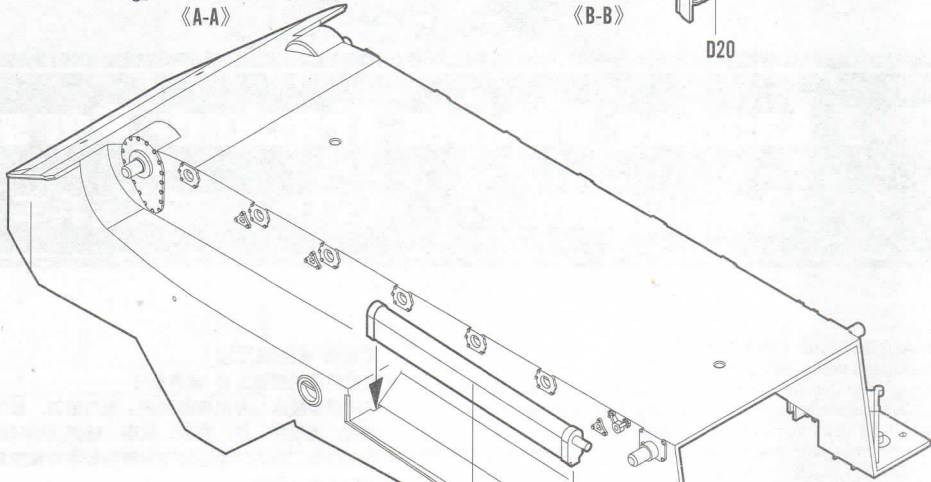
制作2组
Make two



《A-A》



《B-B》

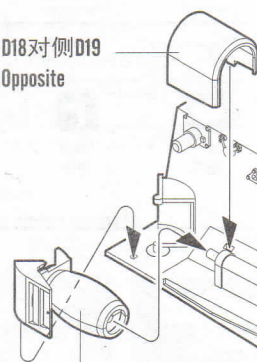


D1对侧D2
Opposite

no cement
不涂胶水

D6对侧D5
Opposite

D18对侧D19
Opposite



《A-A》对侧《B-B》
Opposite

2
STEP

对侧相同
Both sides

B3

B4

B7

B3

B7

B3

C10

主动轮
Drive wheel
对侧相同
Both sides

B2

B3

B2

B3

B2

B3

A3

A19

A4

制作2组
Make two

诱导轮
Idler wheel

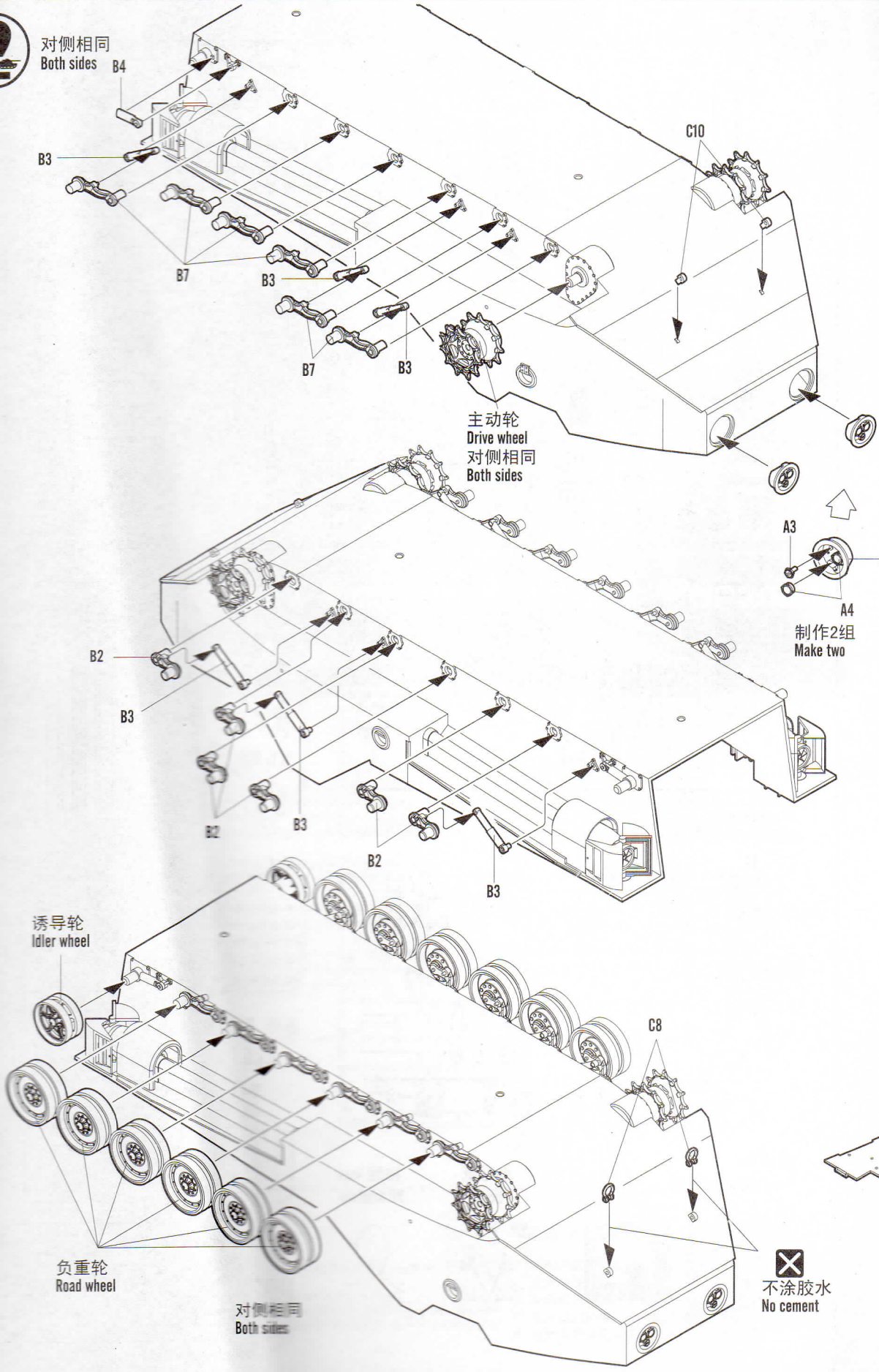
负重轮
Road wheel

对侧相同
Both sides

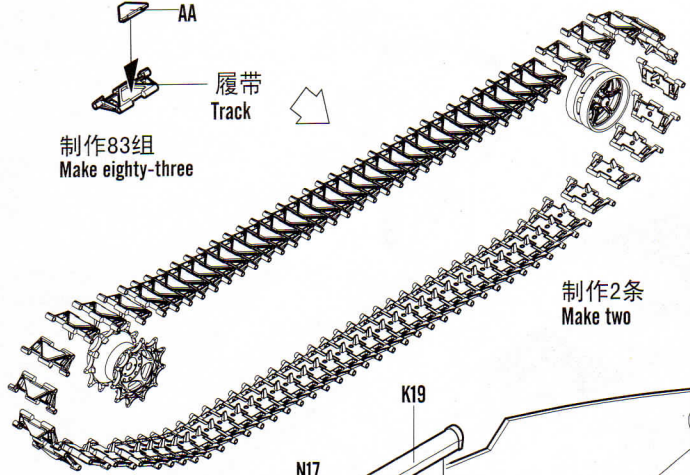
C8

不涂胶水
No cement

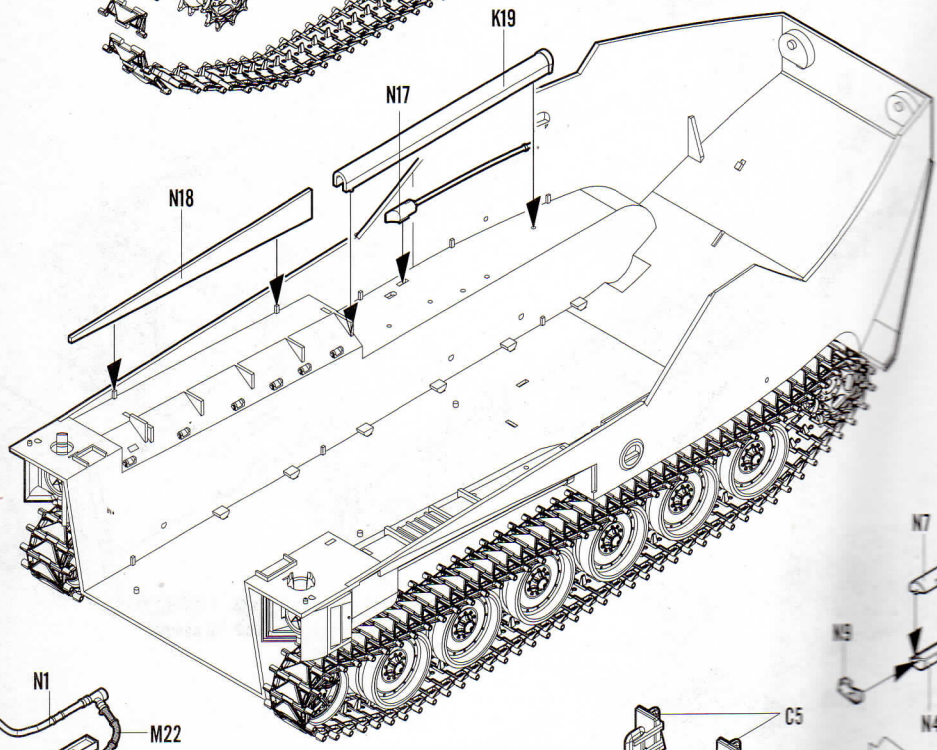
K2



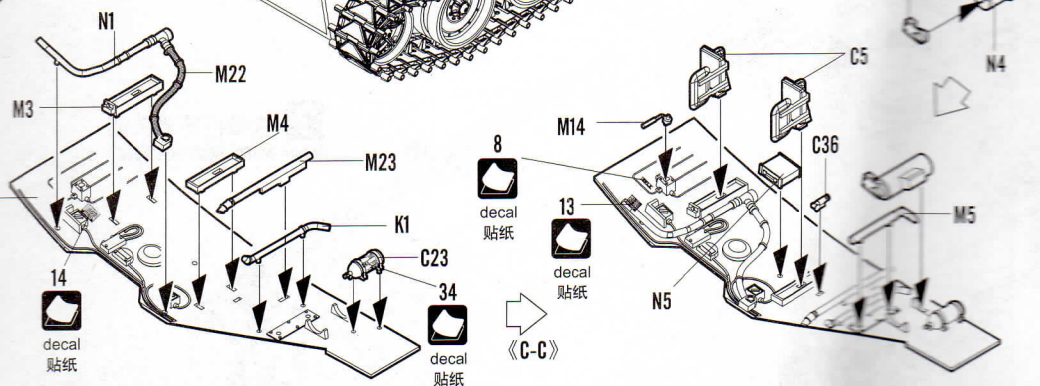
AA
履带
Track
制作83组
Make eighty-three



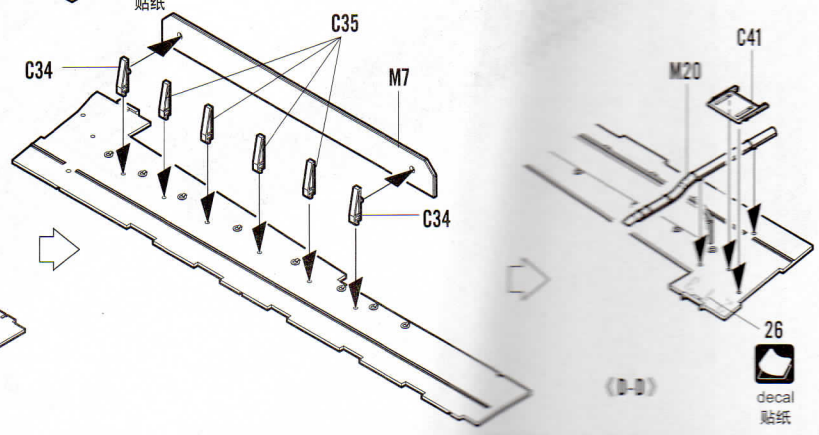
制作2条
Make two




 cyanoacrylate glue
强力胶



 开孔
Open hole



(D-D)

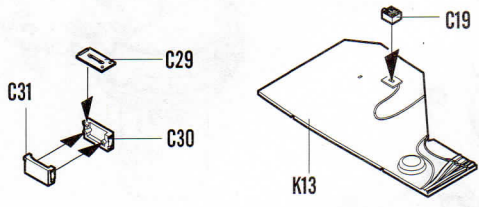
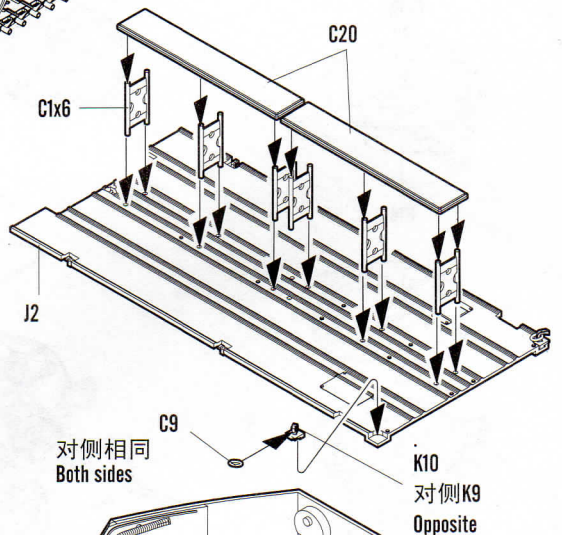
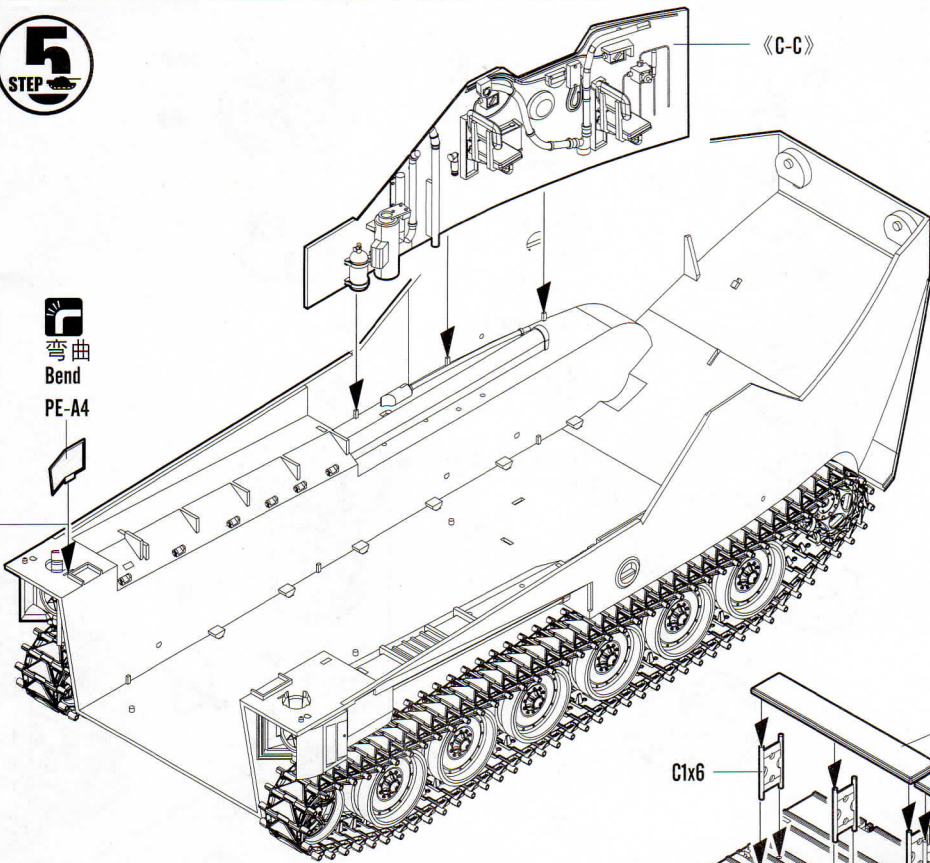
 26
decal
贴纸

5
STEP


弯曲
Bend
PE-A4



cyanoacrylate glue
强力胶

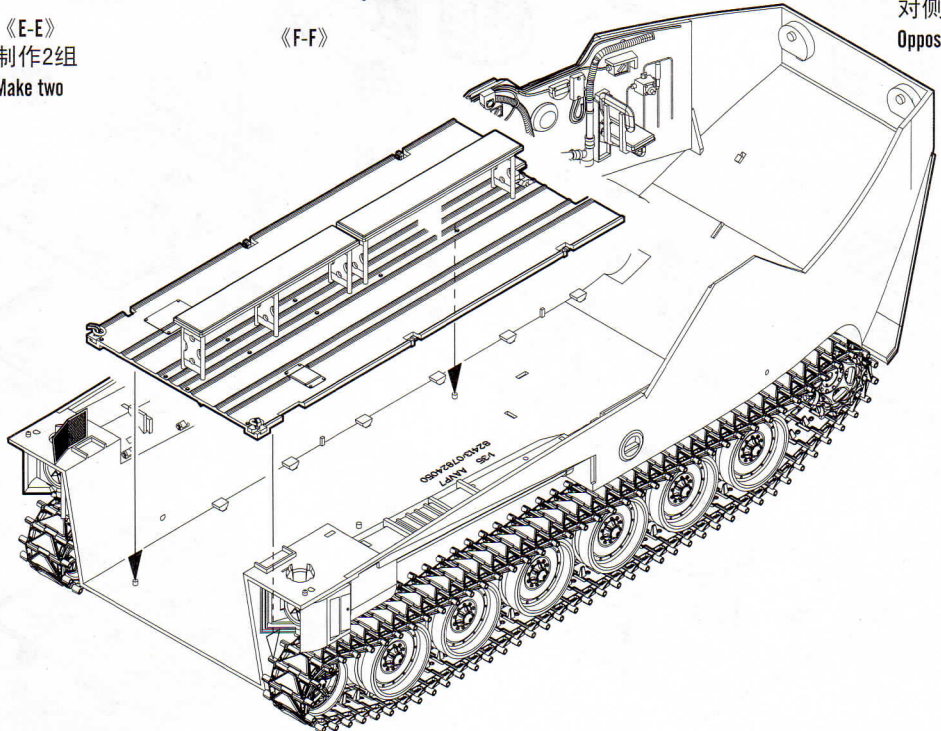


《E-E》
制作2组
Make two

《F-F》

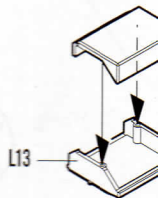
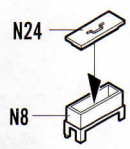
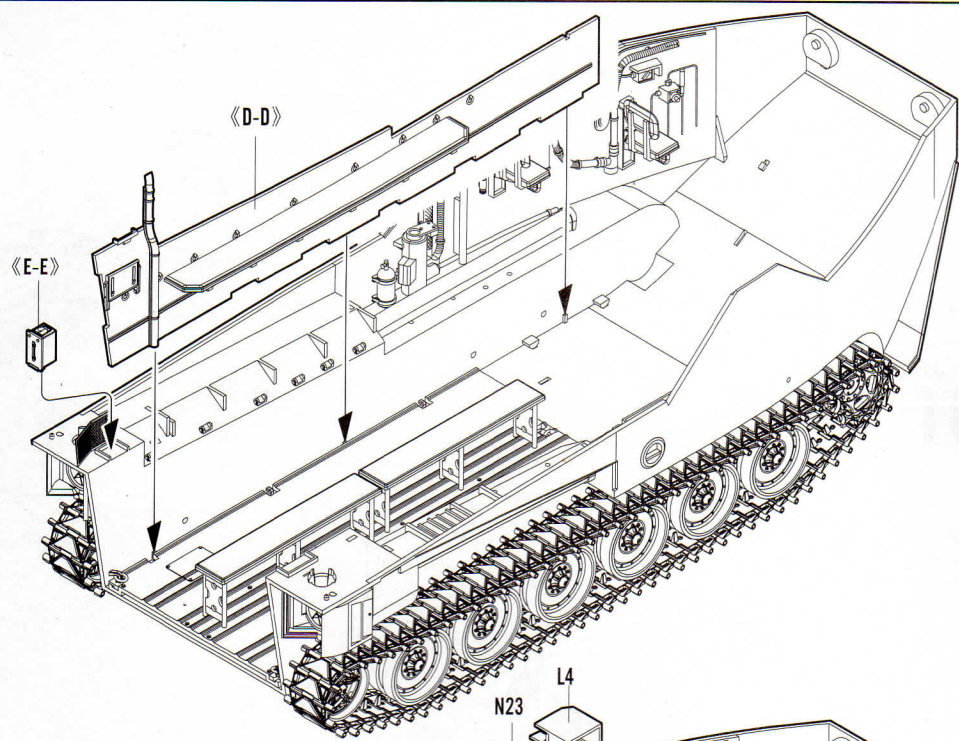
对侧相同
Both sides

对侧K9
Opposite

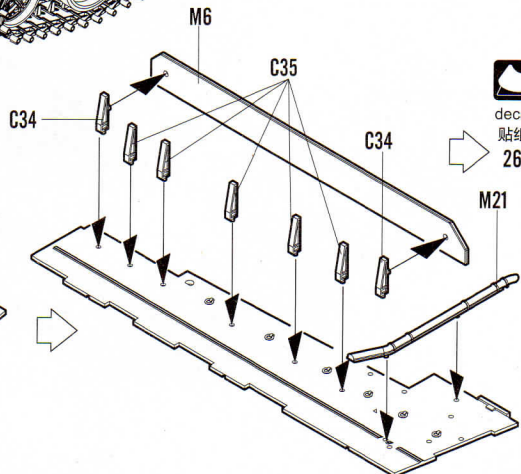
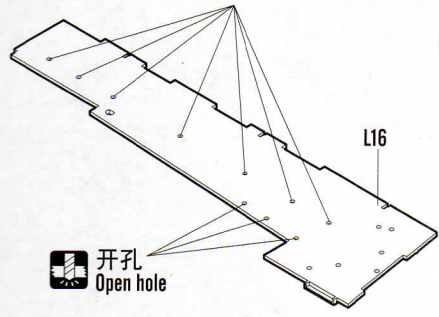


26

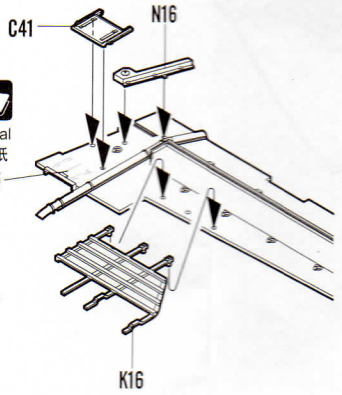
decal
贴纸



开孔
Open hole



decal
贴纸
26



$\langle G-G \rangle$



N26

N6

C24

C24

34



decal
贴纸

34



decal
贴纸

N21

L11



decal
贴纸
5

《G-G》

PE-A5
弯曲
Bend

cyanoacrylate glue
强力胶

L12

PE-A10
弯曲
Bend

PE-A10
弯曲
Bend

《H-H》

《F-F》

《H-H》

N19

《E-E》

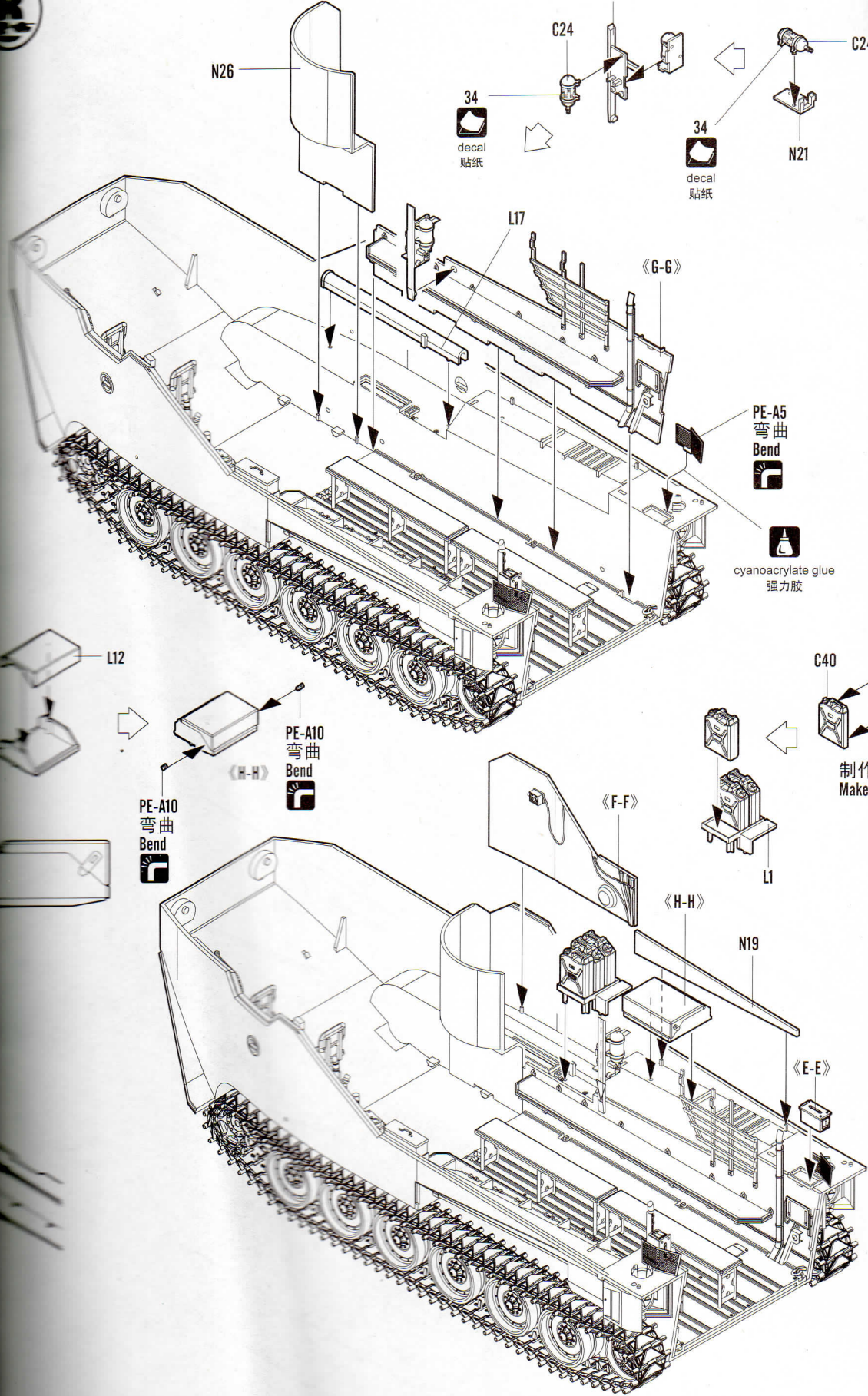
制作3组
Make three

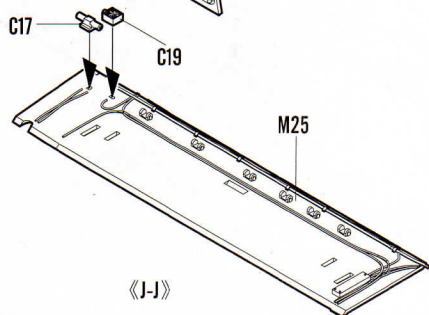
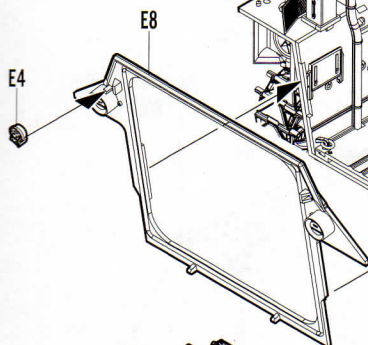
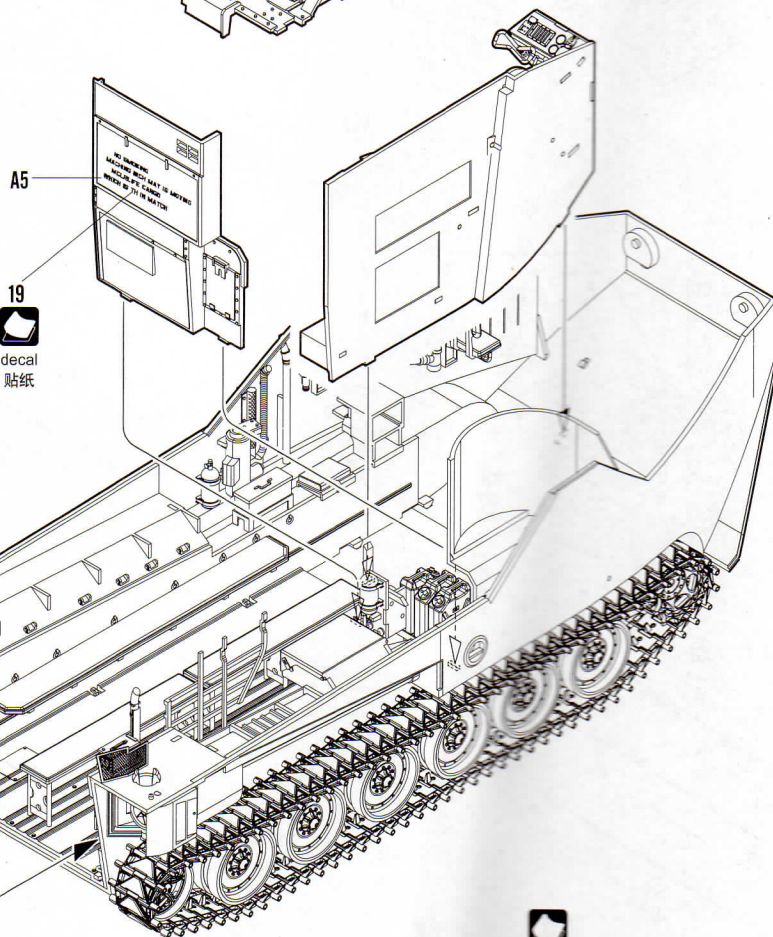
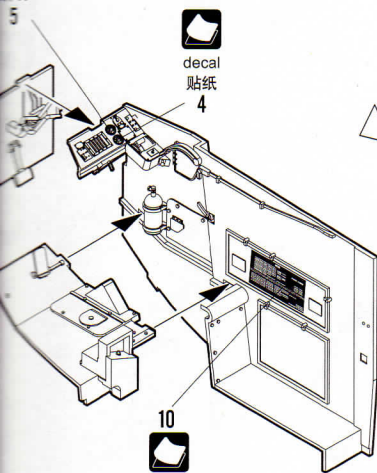
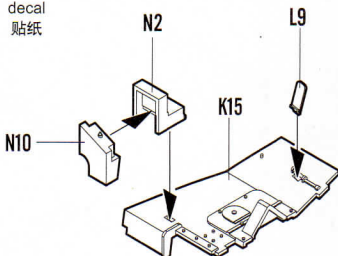
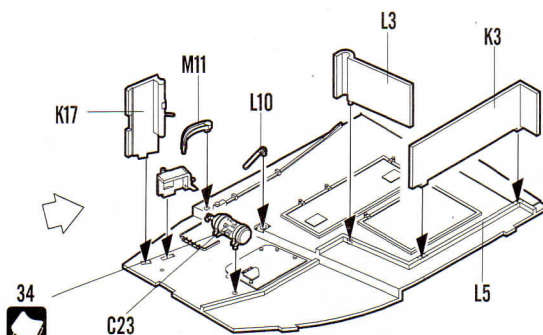
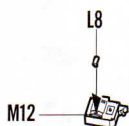
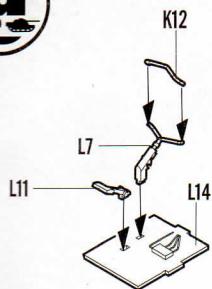
C40

C39

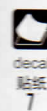
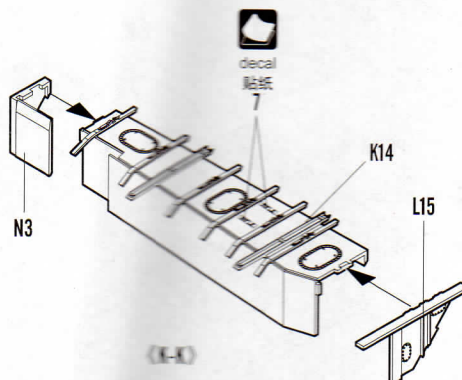
L1

E4



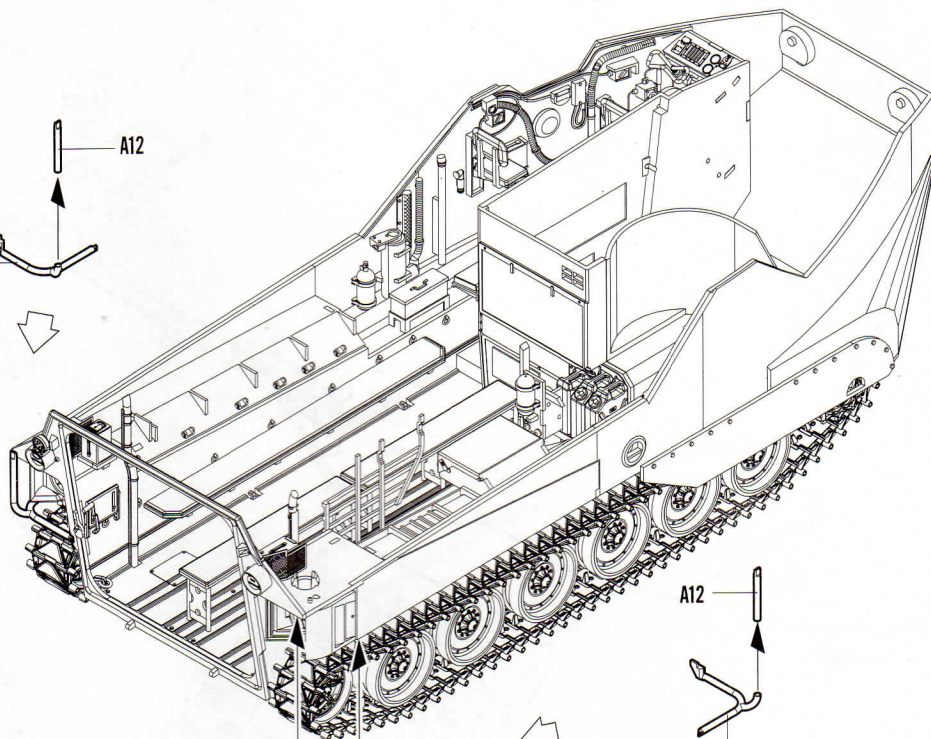
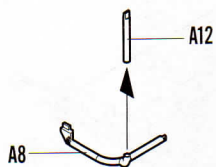
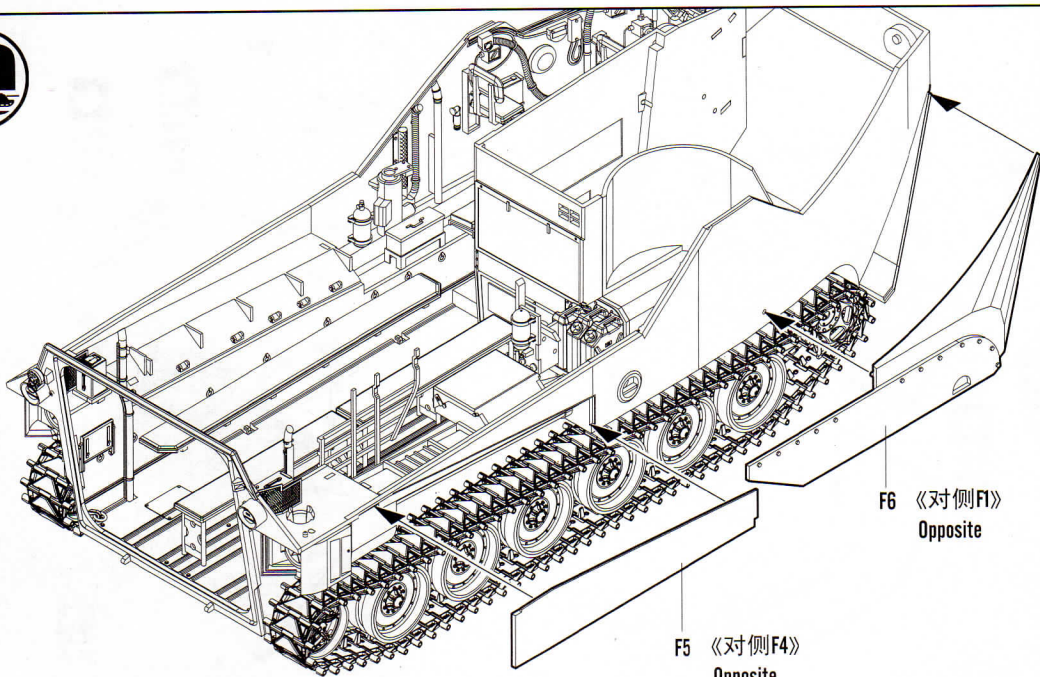


《J-J》

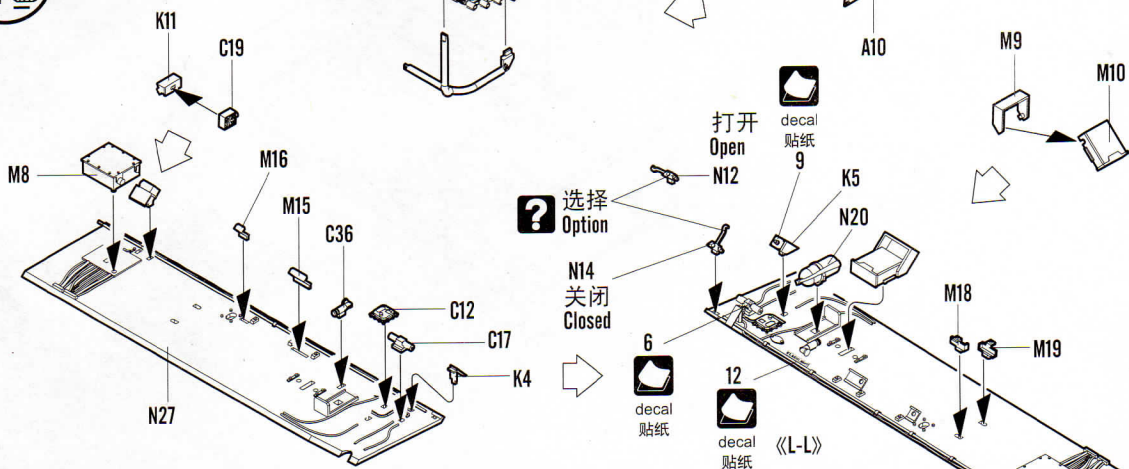


《K-O》

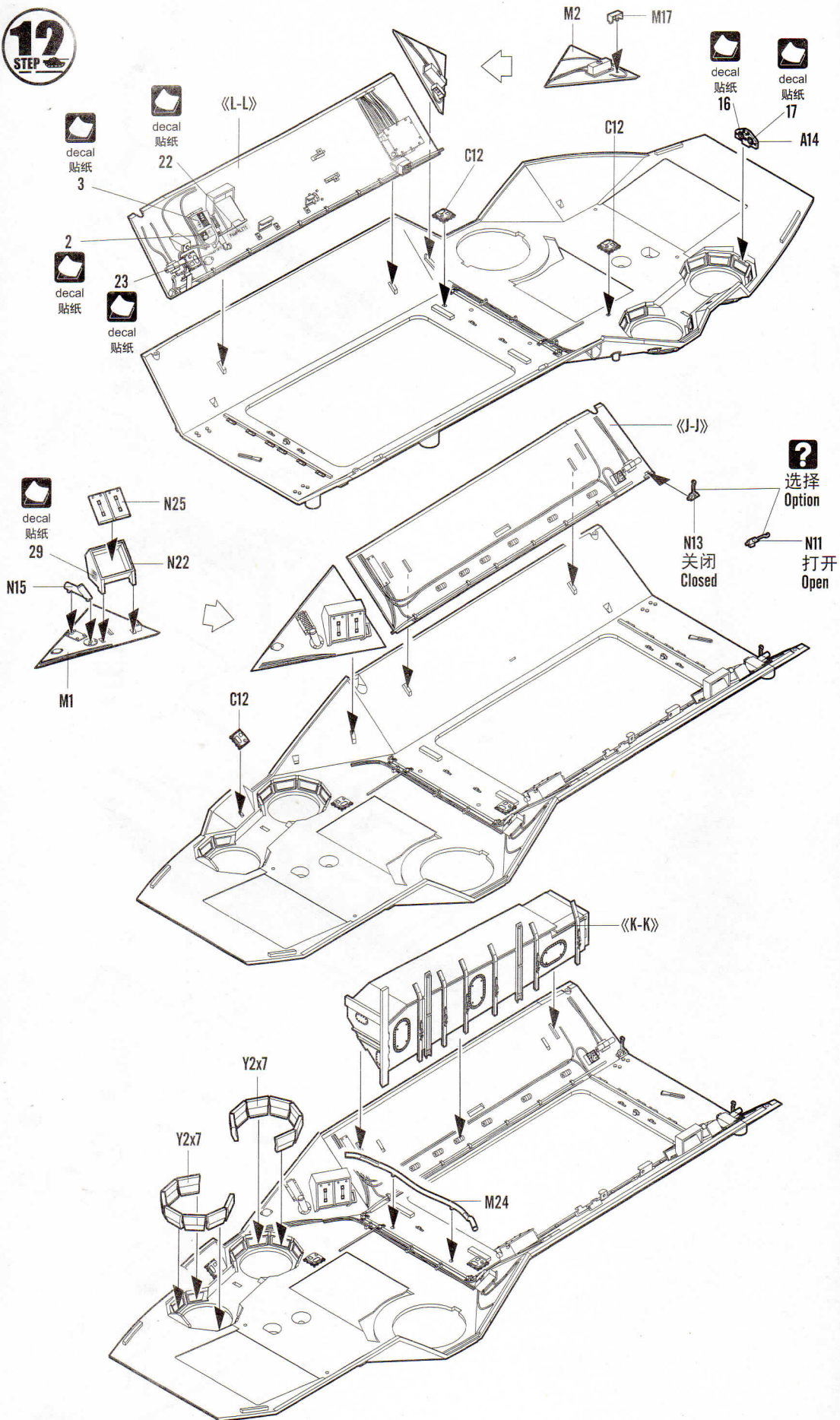
10
STEP

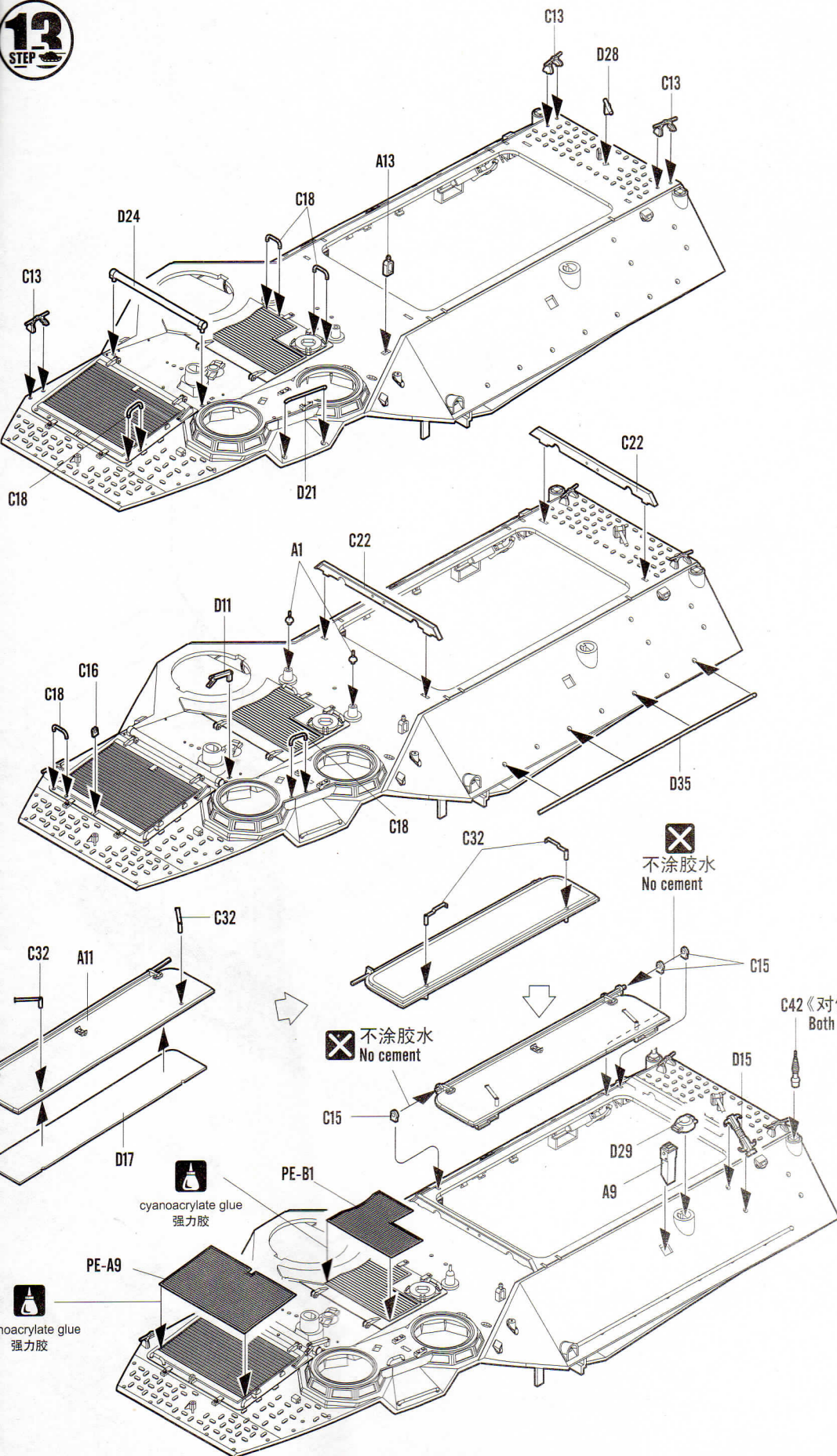


11
STEP



12
STEP





不涂
No ce

PE-A6
弯曲
Bend

弯曲
Bend
PE-A7

不涂胶水
No cement

不涂胶水
No cement

C42 《对侧相同》
Both sides

cyanoacrylate glue
强力胶

cyanoacrylate glue
强力胶

11
STEP



弯曲
Bend
PE-A6

不涂胶水
No cement

不涂胶水
No cement

PE-A6
弯曲
Bend

弯曲
Bend
PE-A7

F16

D16

PE-A8

弯曲
Bend

《M-M》

cyanoacrylate glue
强力胶

C32

C32

A20

D17

C32

C33

cyanoacrylate glue
强力胶

《M-M》

《N-N》

D30

弯曲
Bend
PE-A1

D10

cyanoacrylate glue
强力胶

不涂胶水
No cement

不涂胶水
No cement

C15

A7

A13

C15

C11

D26

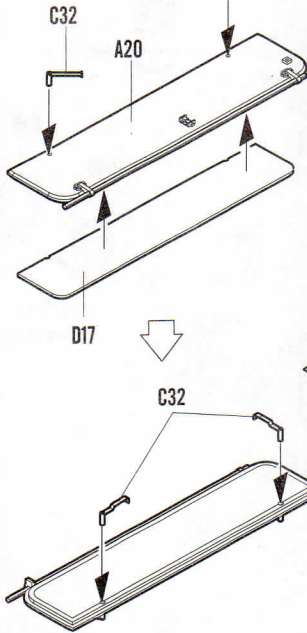
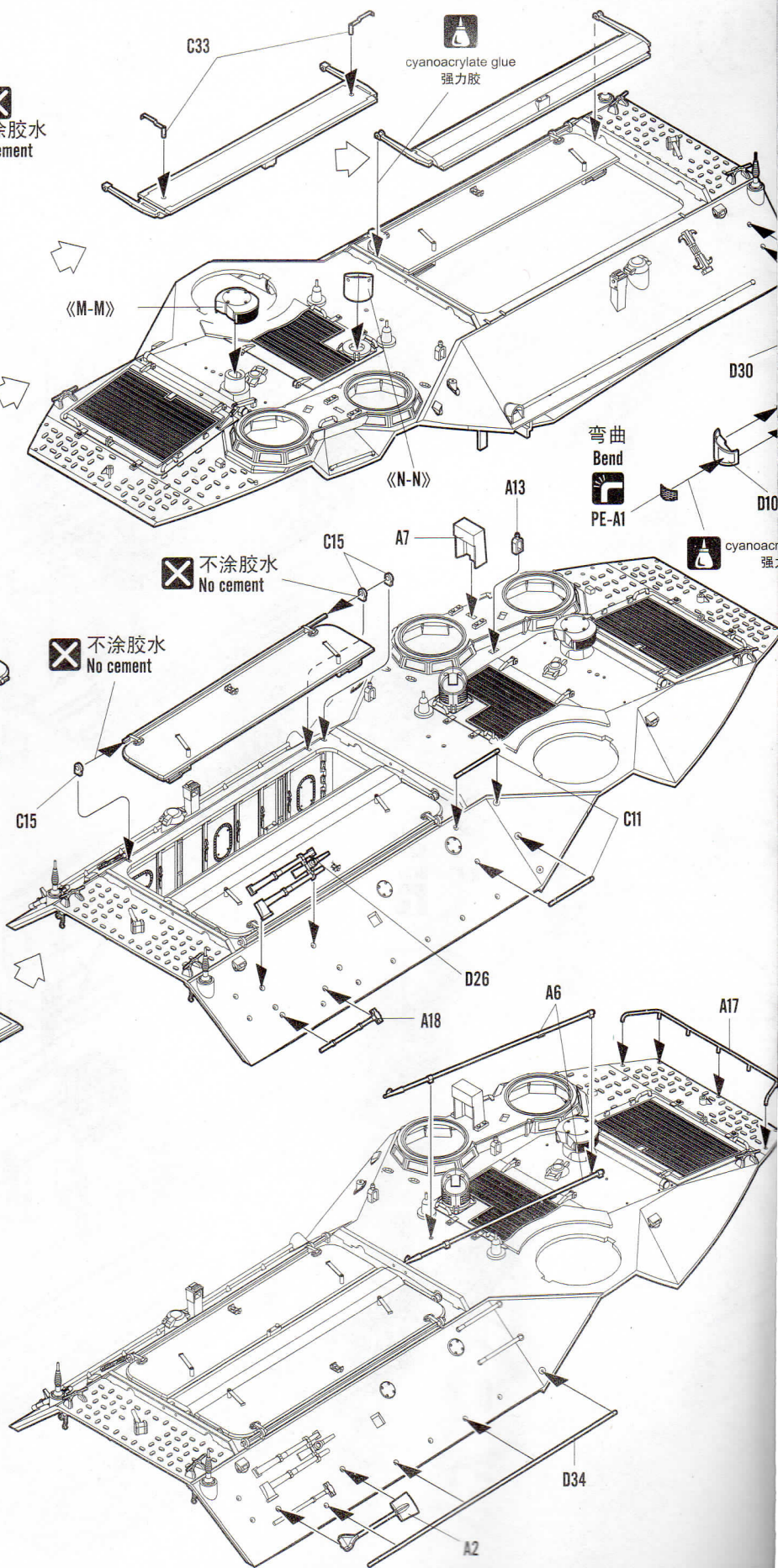
A18

A6

A17

D34

A2



14
STEP



弯曲
Bend
PE-A6



不涂胶水
No cement



不涂胶水
No cement

F16

D16

PE-A8



弯曲
Bend
PE-A7

D8



cyanoacrylate glue
强力胶

《M-M》

C32

C32

A20

D17

C32

C33

cyanoacrylate glue
强力胶

15
STEP

《M-M》

《N-N》

C43

cyanoacrylate glue
强力胶



D30

D9

D10



弯曲
Bend
PE-A1



cyanoacrylate glue
强力胶



弯曲
Bend
PE-A2

《N-N》



不涂胶水
No cement



不涂胶水
No cement

C15

A7

C15

C11

16
STEP

D26

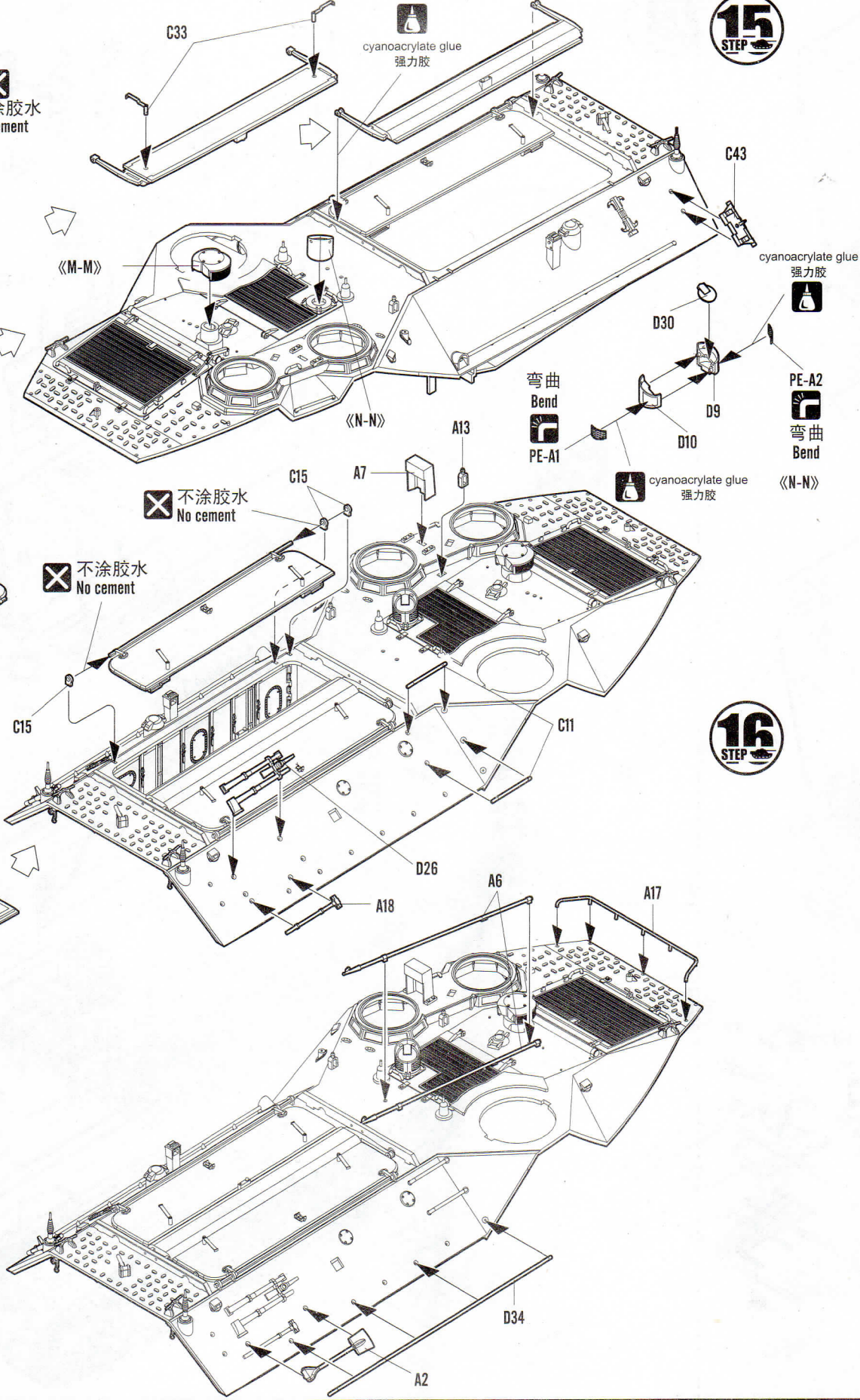
A18

A6

A17

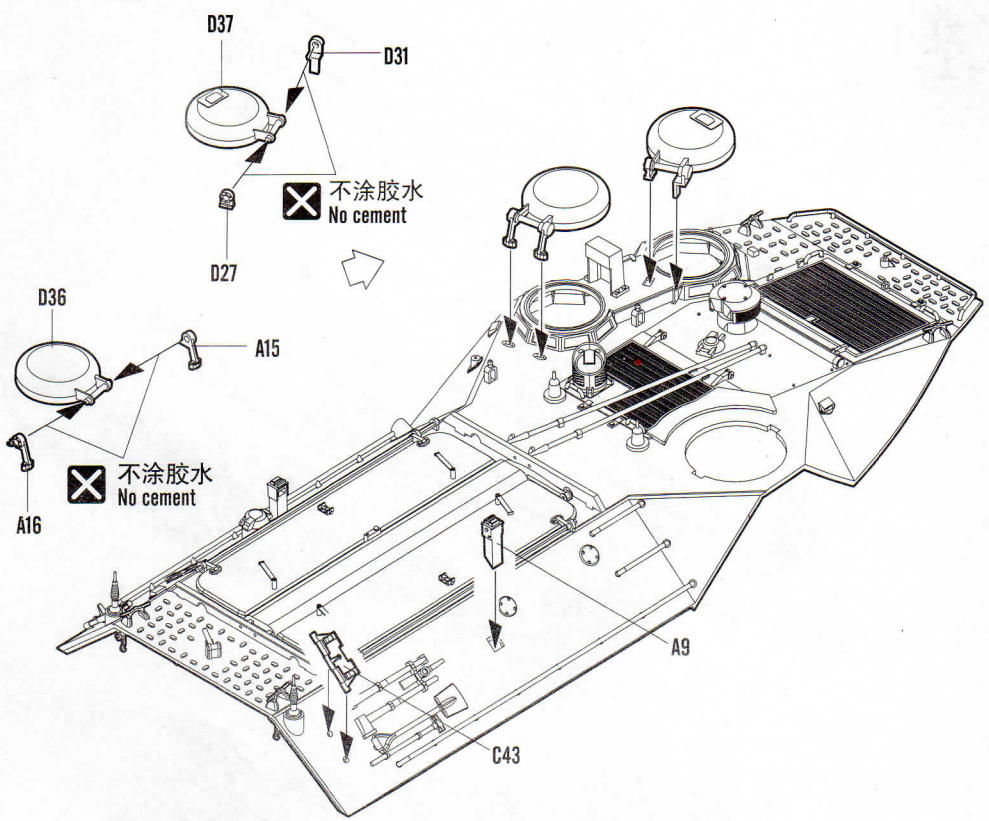
D34

A2

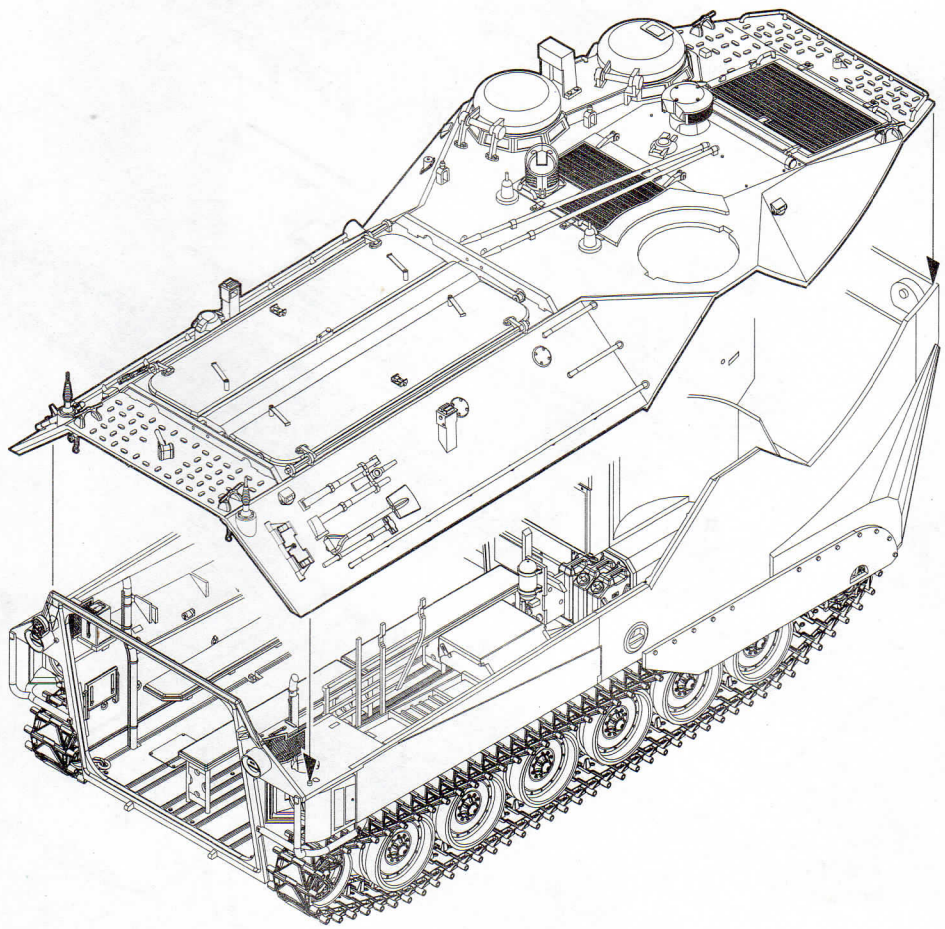


15
STEP

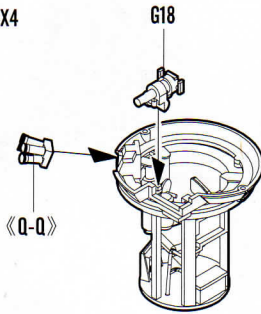
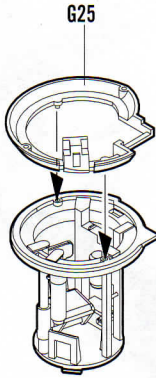
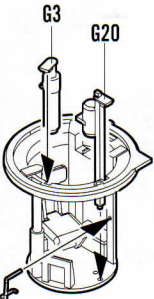
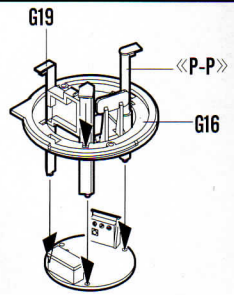
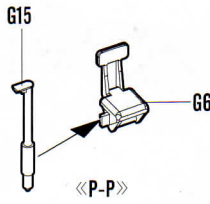
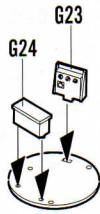
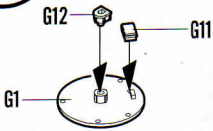
C43
cyanoacrylate glue
强力胶
D9
PE-A2
弯曲
Bend
late glue
胶
《N-N》



16
STEP

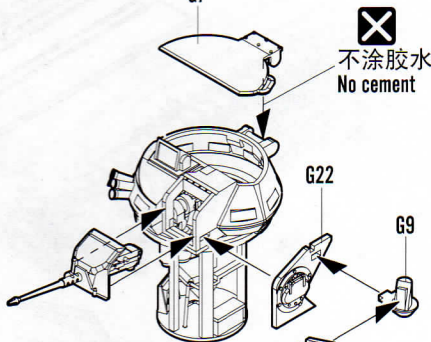
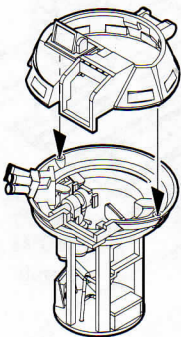
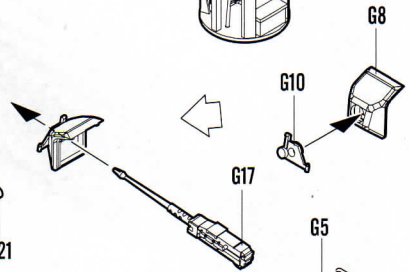
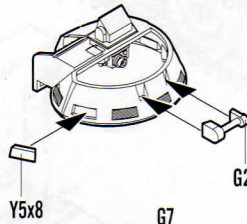
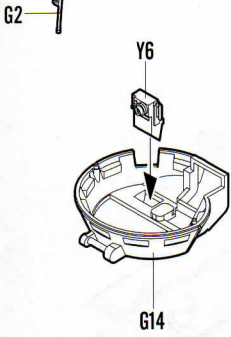


17 STEP

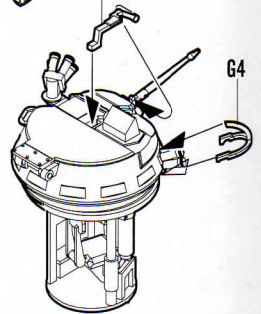


《Q-Q》
制作2组
Make two

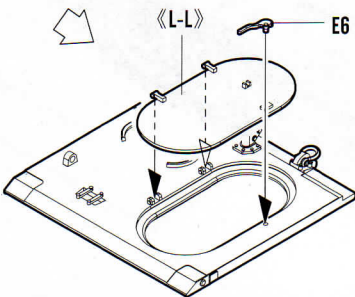
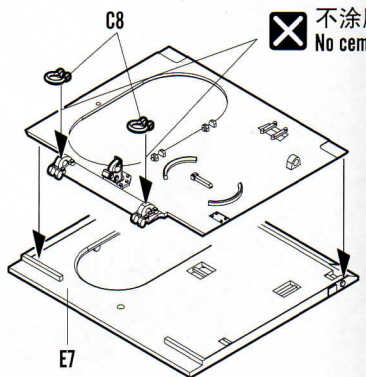
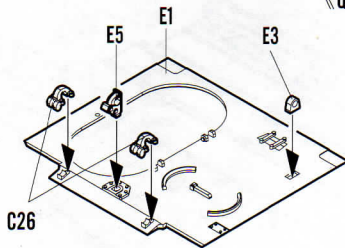
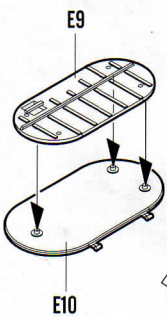
《Q-Q》



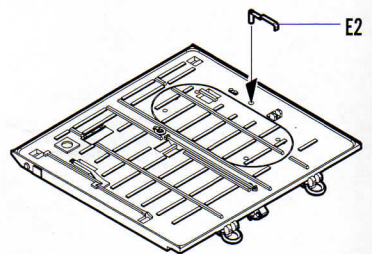
不涂胶水
No cement

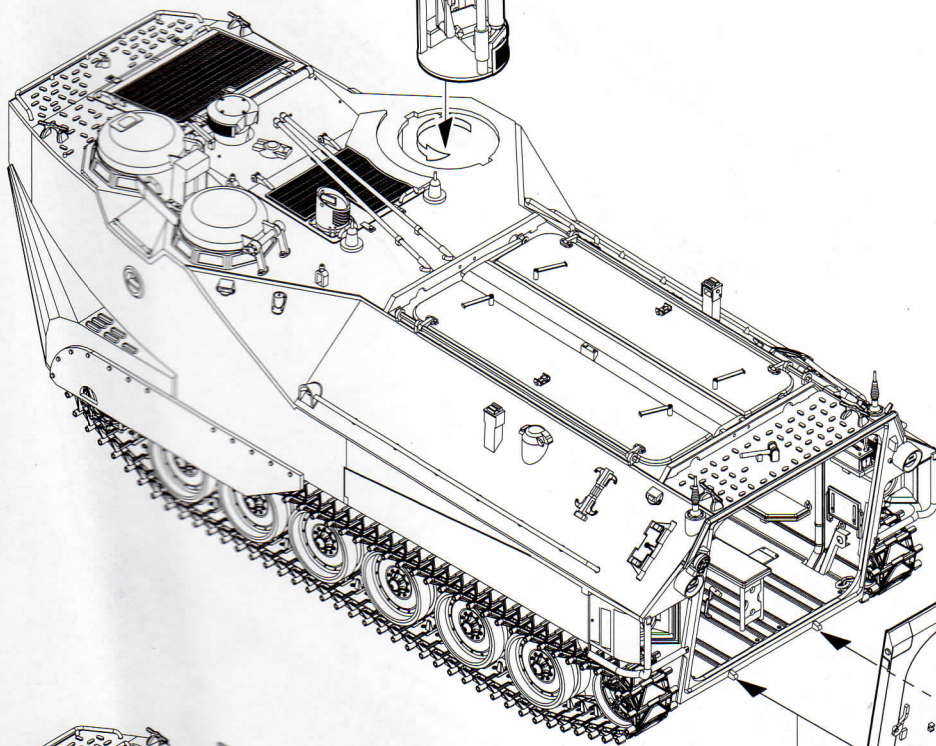
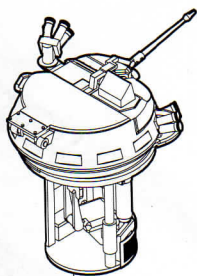


不涂胶水
No cement



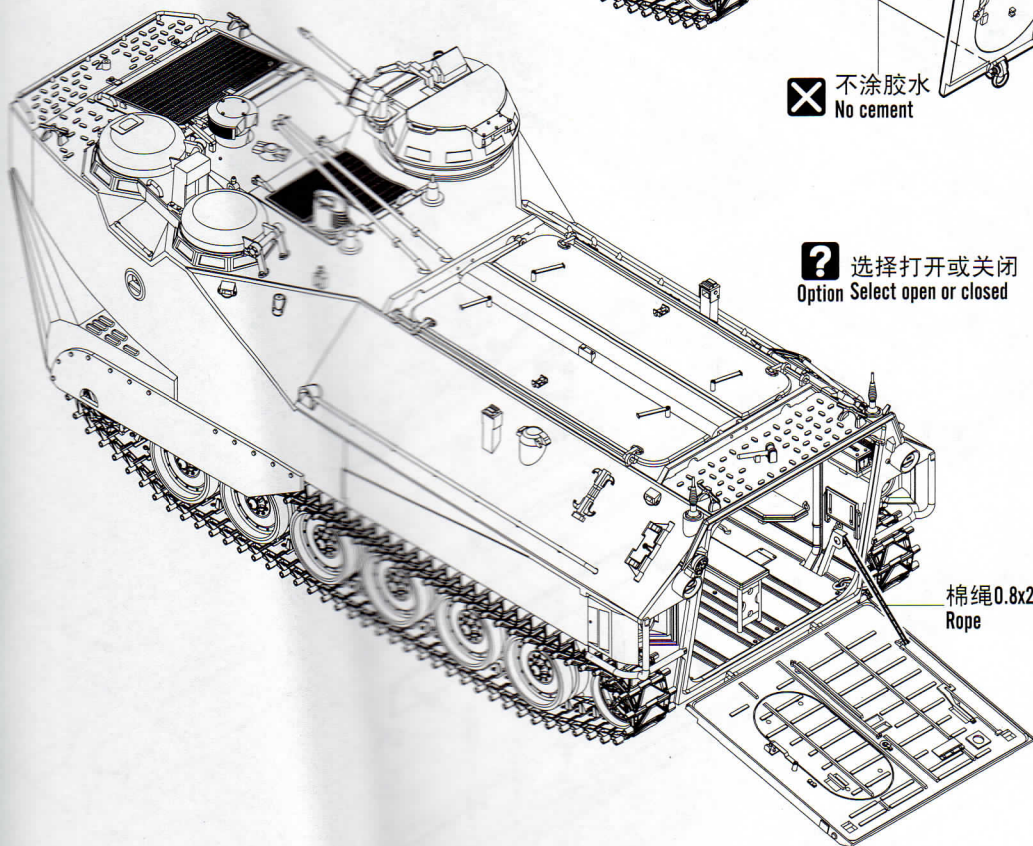
《L-L》





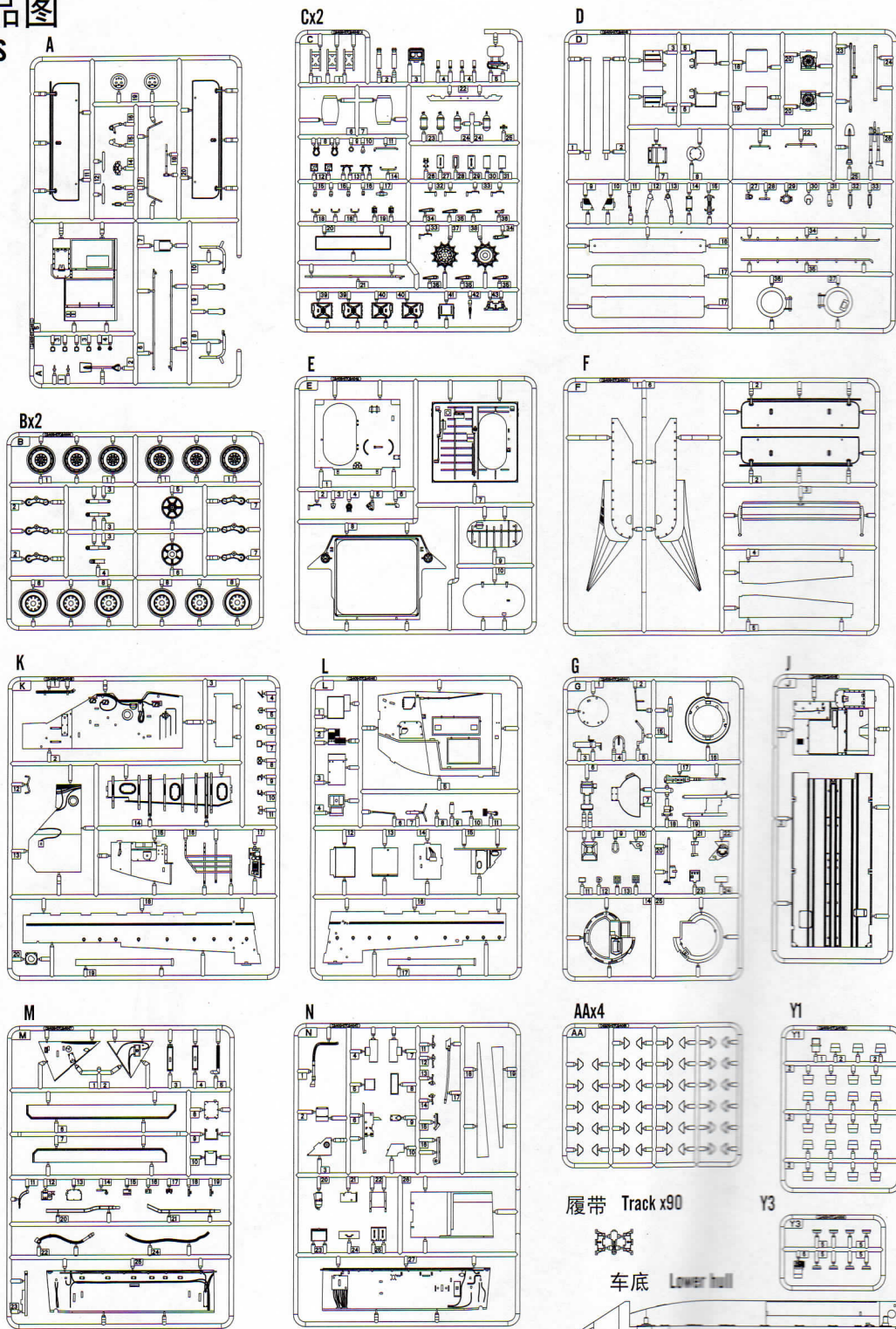
 不涂胶水
No cement

 选择打开或关闭
Option Select open or closed

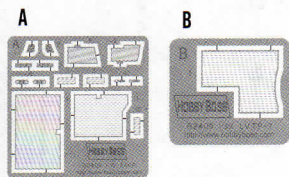


棉绳 0.8x27mm
Rope

部品图 Parts



蚀刻片
Photo etched parts (PE)



水贴纸
Decal



棉绳 Rope
Ø0.8x50mm



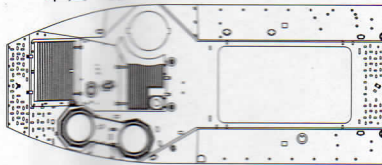
履带 Track x90



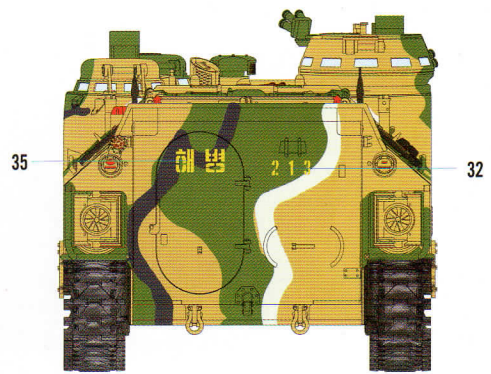
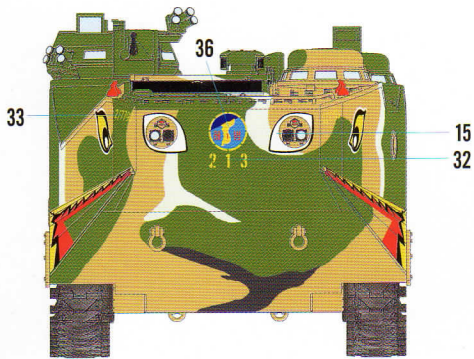
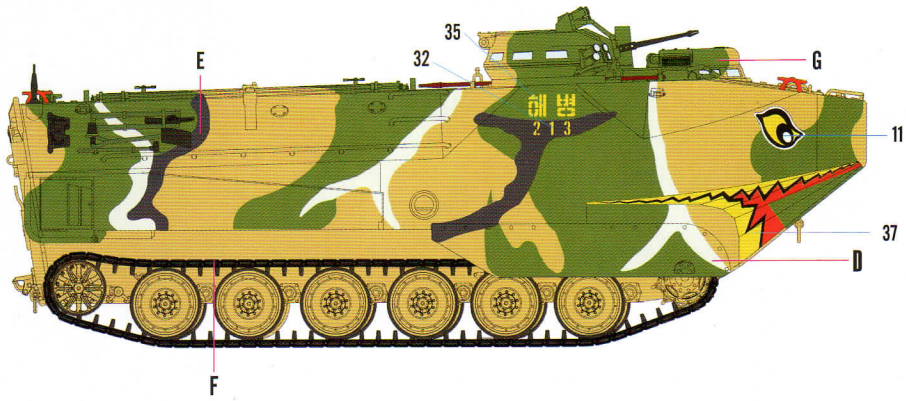
车底 Lower hull



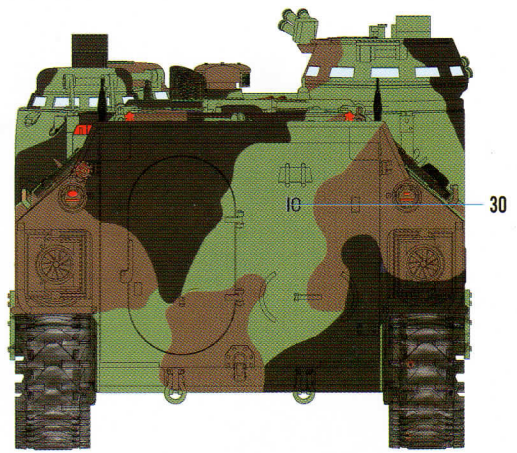
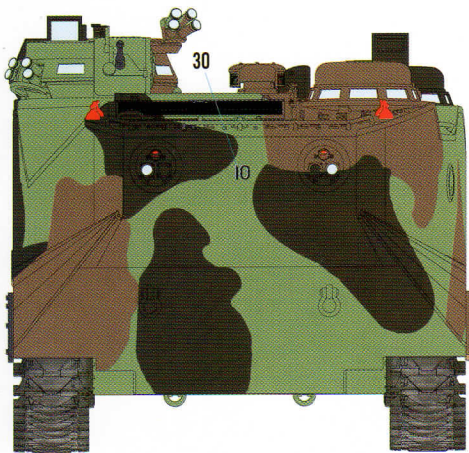
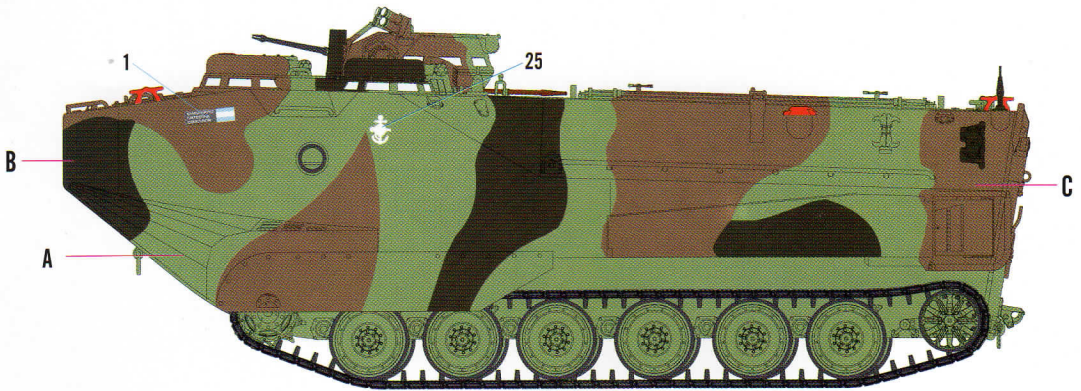
车面 Upper hull



II

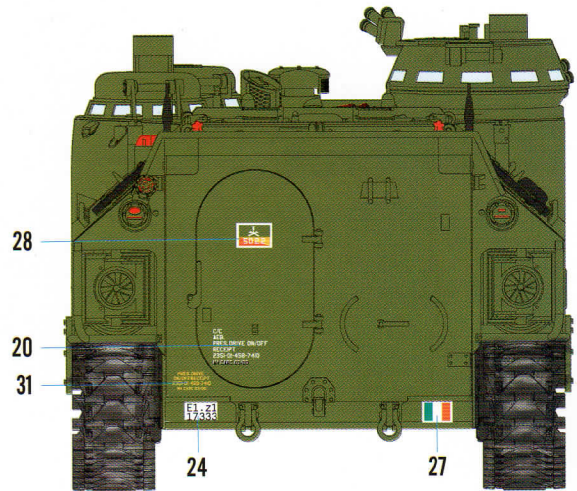
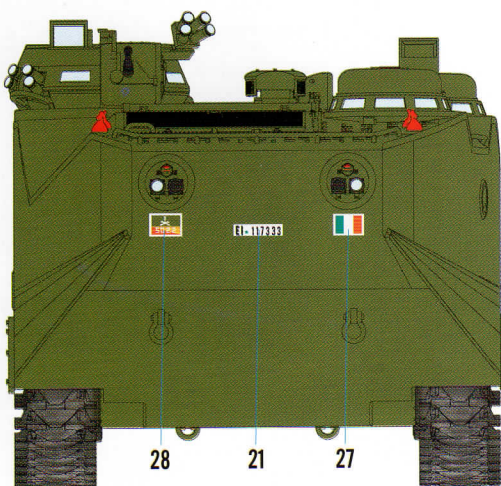
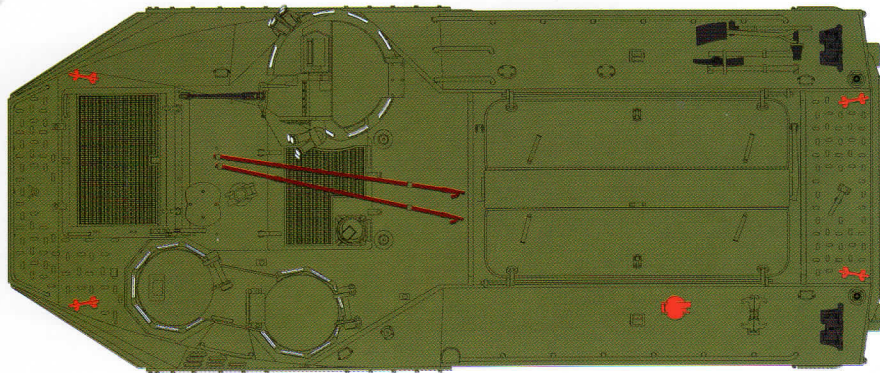
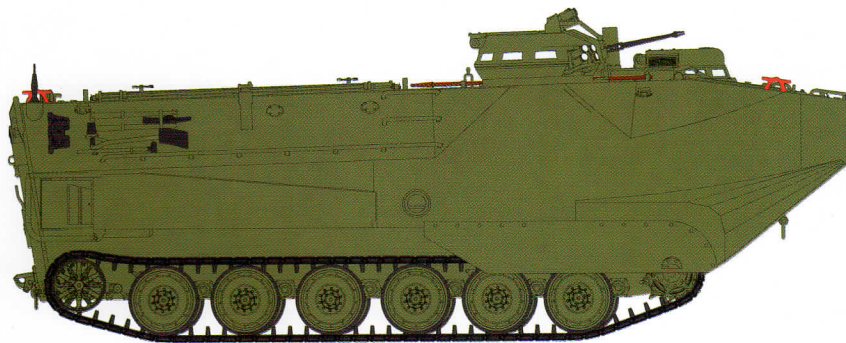
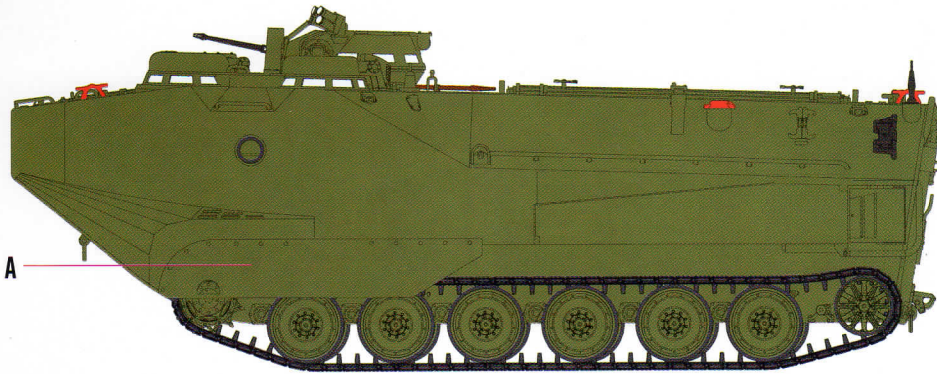


III



	Color	Mr.Hobby	Vallejo	Model Master	Tamiya	Humbrol	D	Color	Mr.Hobby	Vallejo	Model Master	Tamiya	Humbrol
							D	白色 White	H 316 316	991	1745	X2	22
A	绿色 Medium Grey Green	H 312 312	--	1716	--	120	E	胎黑色 TIRE BLACK	H 77 137	--	--	--	--
B	消光黑 Flat Black	H 12 33	950	1749	XF1	33	F	黄色 YELLOW	H 313 313	819	1706	--	121
C	木棕色 Wood Brown	H 37 43	983	1701	--	186	G	绿色 Medium Grey Green	H 309 309	893	1710	XF58	116

I



	Color	Mr.Hobby	Vallejo	Model Master	Tamiya	Humbrol
A	绿色 Medium Grey Green	H 303 303	--	1713	XF20	117