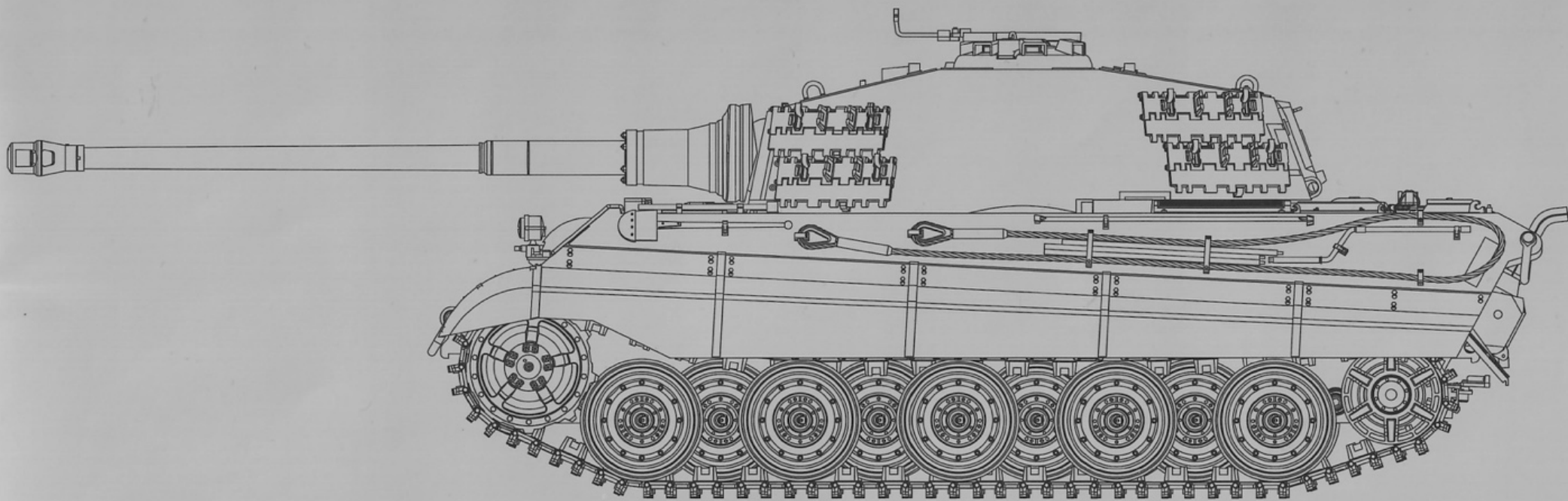


KING TIGER

Sd.Kfz.182

HENSCHEL TURRET
w/ZIMMERIT



The German Tiger Ausf. B, or King Tiger was arguably the very best tank that was put onto the battlefield during WWII, as well as the most costly. With each unit requiring some 300,000 skilled man-hours to complete, the King Tiger went into serial production in December 1943 at the Henschel factory in Kassel. At the peak of production it took only 14 days to complete, and by the end of the war 492 examples were ultimately produced of the 1500 units ordered due to the intense Allied bombing campaign.

With frontal armor reaching up to 150mm thick and side armor 80mm thick, this nearly 70 ton tank was built around the famous dual-purpose semi-automatic 88mm canon firing armor-piercing or high explosive rounds, the KwK 43 (L71) produced by Krupp, with the T.Z.F.9b/1 binocular gun sight (later followed by the monocular T.Z.F.9d) built into the cradle. This set-up allowed the tank to engage virtually any enemy tank before it could come within firing range. The Henschel production version carried 86 rounds of internally stored ammunition for the main gun. Additional armament came in the form of 3 Rheinmetall Maschinengewehr 34's with 5800 rounds; one mounted in a kugelblende on the right bow position; one mounted coaxially to the main gun; one mounted externally to the commander's cupola.

This massive tank was mobilized by a OLVAR EG40 12 16B mechanical transmission with 8 forward and 4 reverse gears powered by a 690hp Maybach HL230 P30 gasoline engine, with a top speed of 25.8 mph (41.5 km/h). The crew of 5 consisted of the tank commander, the loader, the gunner, the driver, and the radio operator. The only other variant of the King Tiger was the Hunting Tiger, or Jagdtiger. With the exception of the initial prototype, all King Tigers were coated with zimmerit until September 11, 1944.

The King Tiger dominated the battlefield in terms of capabilities, but often suffered from shortages of lubricants & fuels. These tanks proved themselves in battles ranging from Normandy, the Ardennes, Lake Balaton, and Berlin. Although they lived up to the expectations of the 'Wunderwaffe', the King Tigers were ineffective in stopping the overwhelming numbers of opponents they faced on the battlefield. Today there are a total of 11 King Tigers preserved around the world, with the rest having been long lost to the scrap yards.

This new King Tiger model kit represents the ultimate in dimensional accuracy for the first time through the unique feature of scale-thickness armor and a complete interior. For the first time in 1/35 scale we can appreciate the full experience inside this infamous tank, from the driver & radio operator in the fighting compartment to the loader, gunner, and commander in the turret, as well as the engine compartment complete with Maybach engine. Every detail inside & out was painstakingly measured from a surviving vehicle from s.SS Pz.Abt 501 abandoned by German troops in 1944 during the Battle of the Bulge, currently in storage at the U.S. Armor & Cavalry Museum at Ft. Benning, Georgia. In addition, the remaining variants of the King Tiger were carefully researched and are included in our collection as well.

READ BEFORE ASSEMBLY

CAUTION

- Read carefully and fully understand the instructions before commencing assembly. A supervising adult should also read the instructions if a child assembles the model.
- When assembling this kit, tools including knives used. Extra care should be taken to avoid personal injury.
- Keep out of reach of small children. Children must not be allowed to suck any part, or pull vinyl bag over their heads.



Optional



Instant Glue
for Metal



Apply Decal



Do Not
Cement



Remove

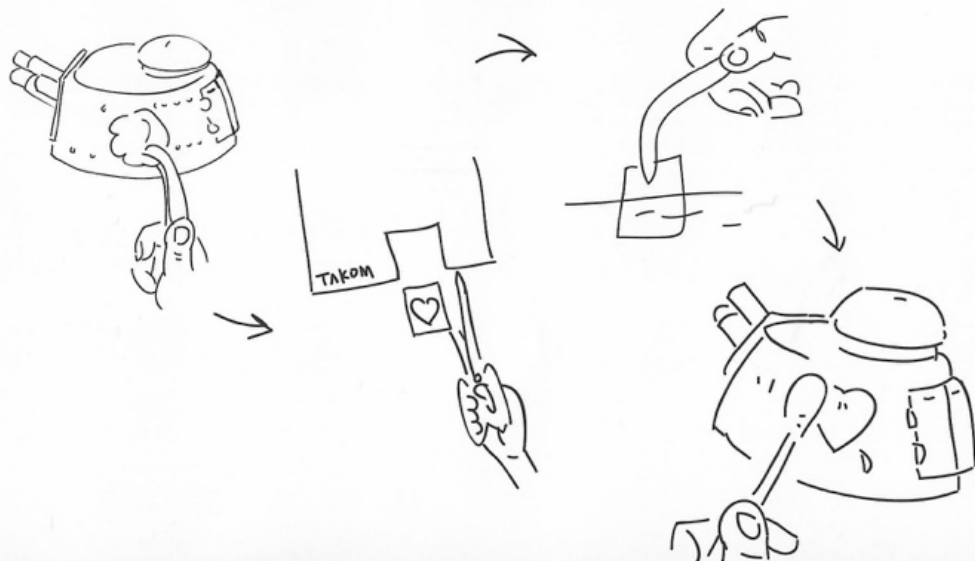
PAINTS REQUIRED

Color info and profiles by Mig Jimenez

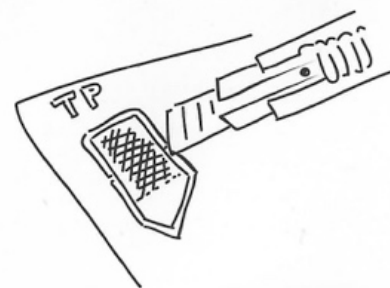
A.MIG 014	Rotbraun	A.MIG 035	Dark Tracks	A.MIG 036	Old Wood	A.MIG 037	New Wood	A.MIG 015	Schokobraun
A.MIG 041	Dark Rust	A.MIG 045	Gun Metal	A.MIG 002	Olivgrun Opt.2	A.MIG 010	Dunkelgelb		

APPLYING DECALS

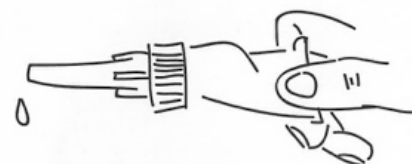
1. Clean the model surface with a wet cloth.
2. Cut out each decal design from sheet, and dip it in tepid water for 15~20 sec.
3. Hold the backing sheet edge and slide decal onto the model.
4. Move decal into position by wetting decal with finger.
5. Press decal gently down with a soft cloth until excess water and air bubbles are gone.



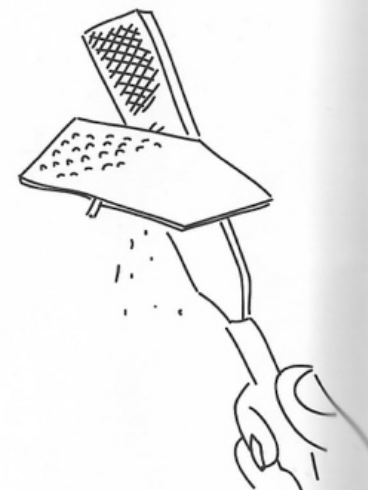
REMOVING PE



Be careful not to hurt when removing PE parts.

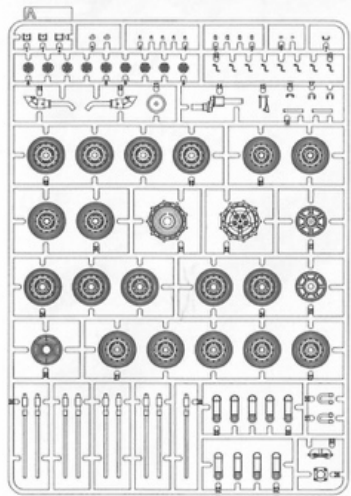


Secure using instant glue (not included).

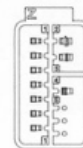
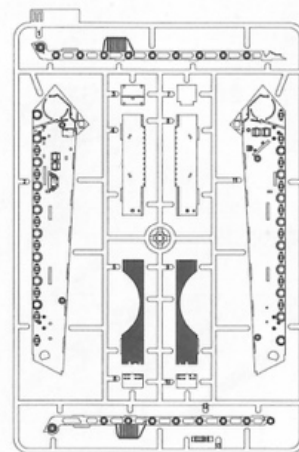
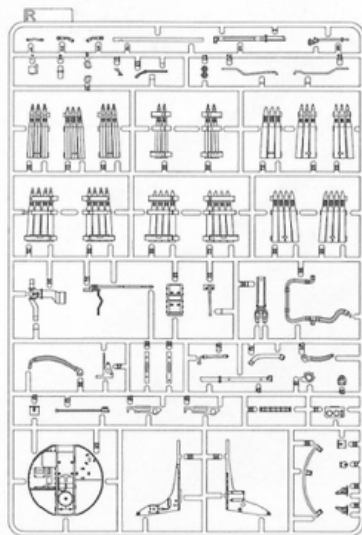
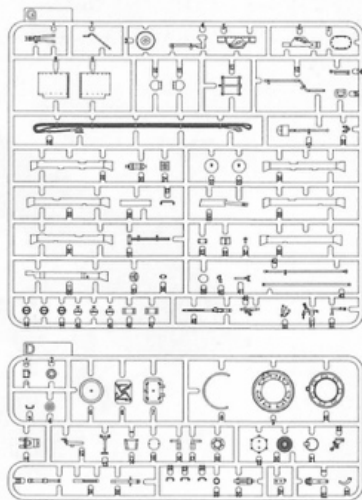
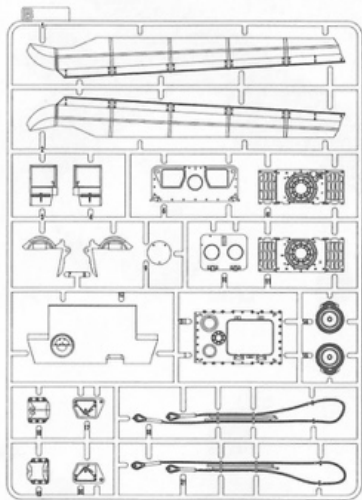


Finish using file.

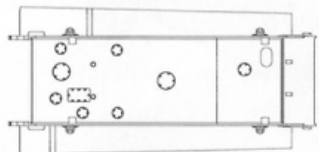
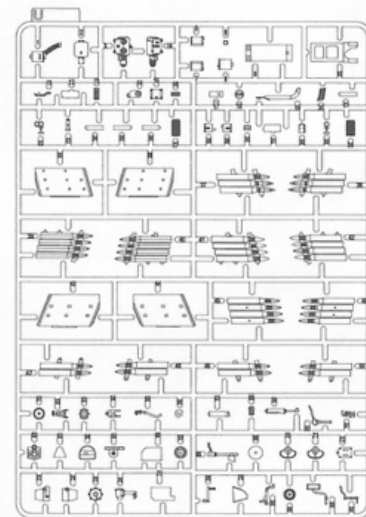
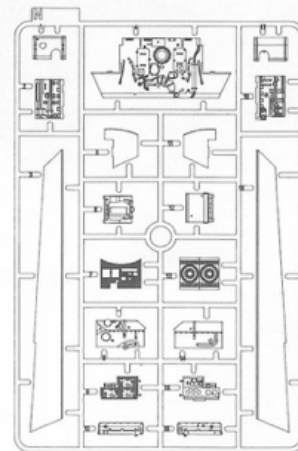
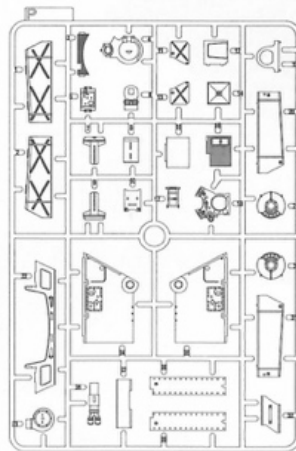
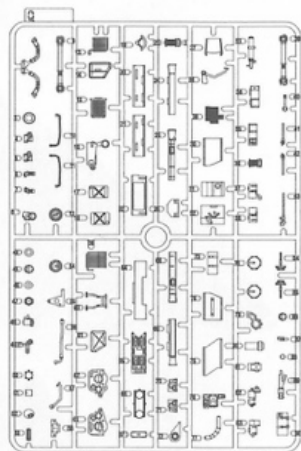
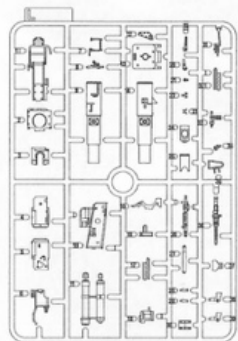
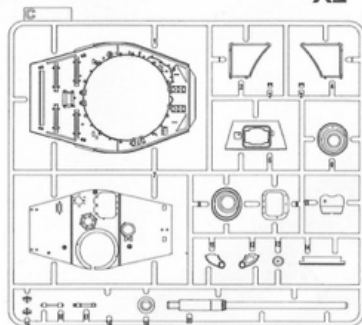
PARTS



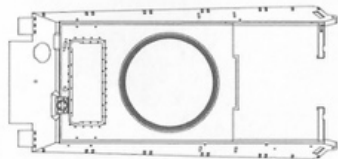
X2



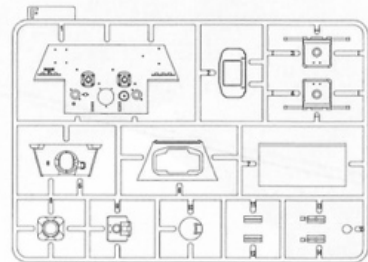
Turret



Lower Hull



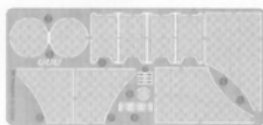
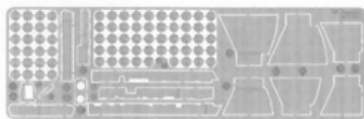
Upper Hull



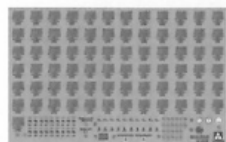
X96



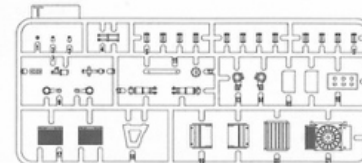
X96



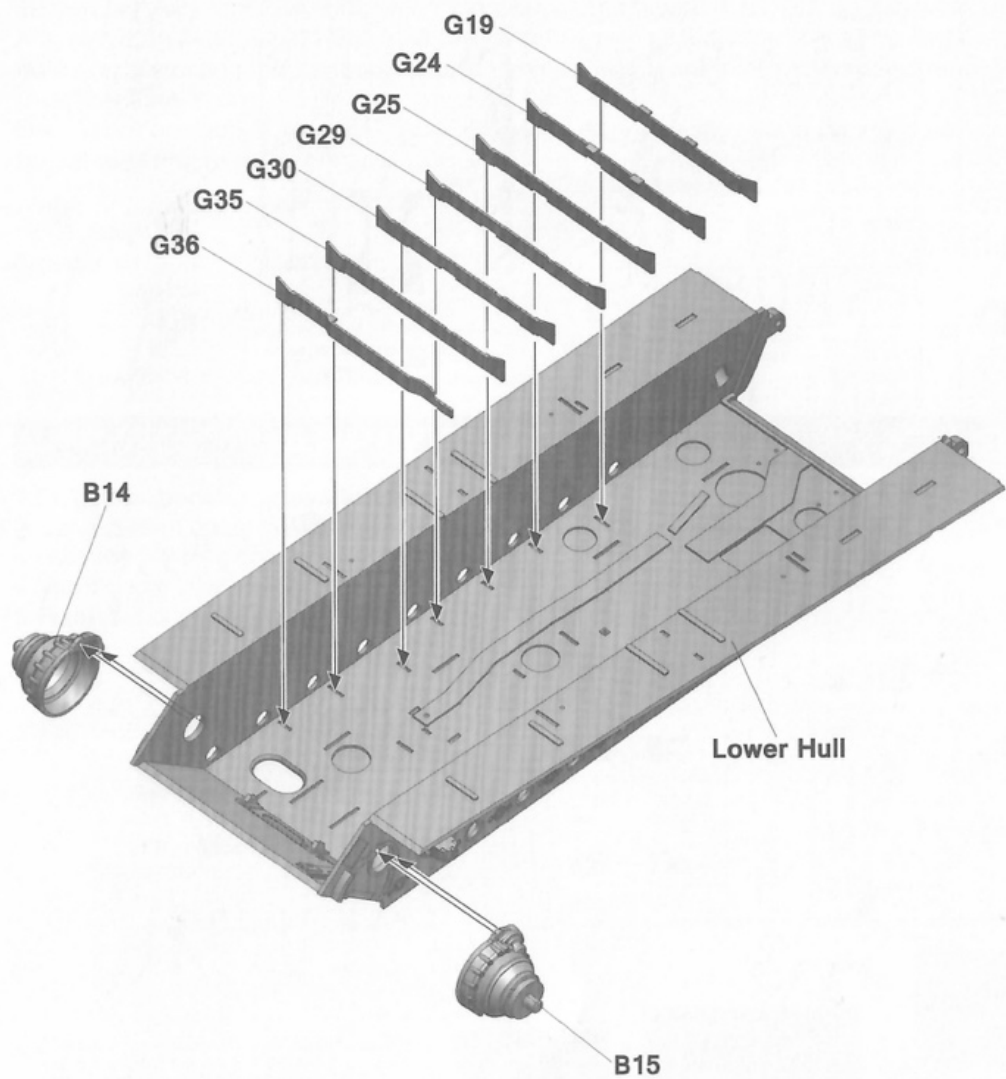
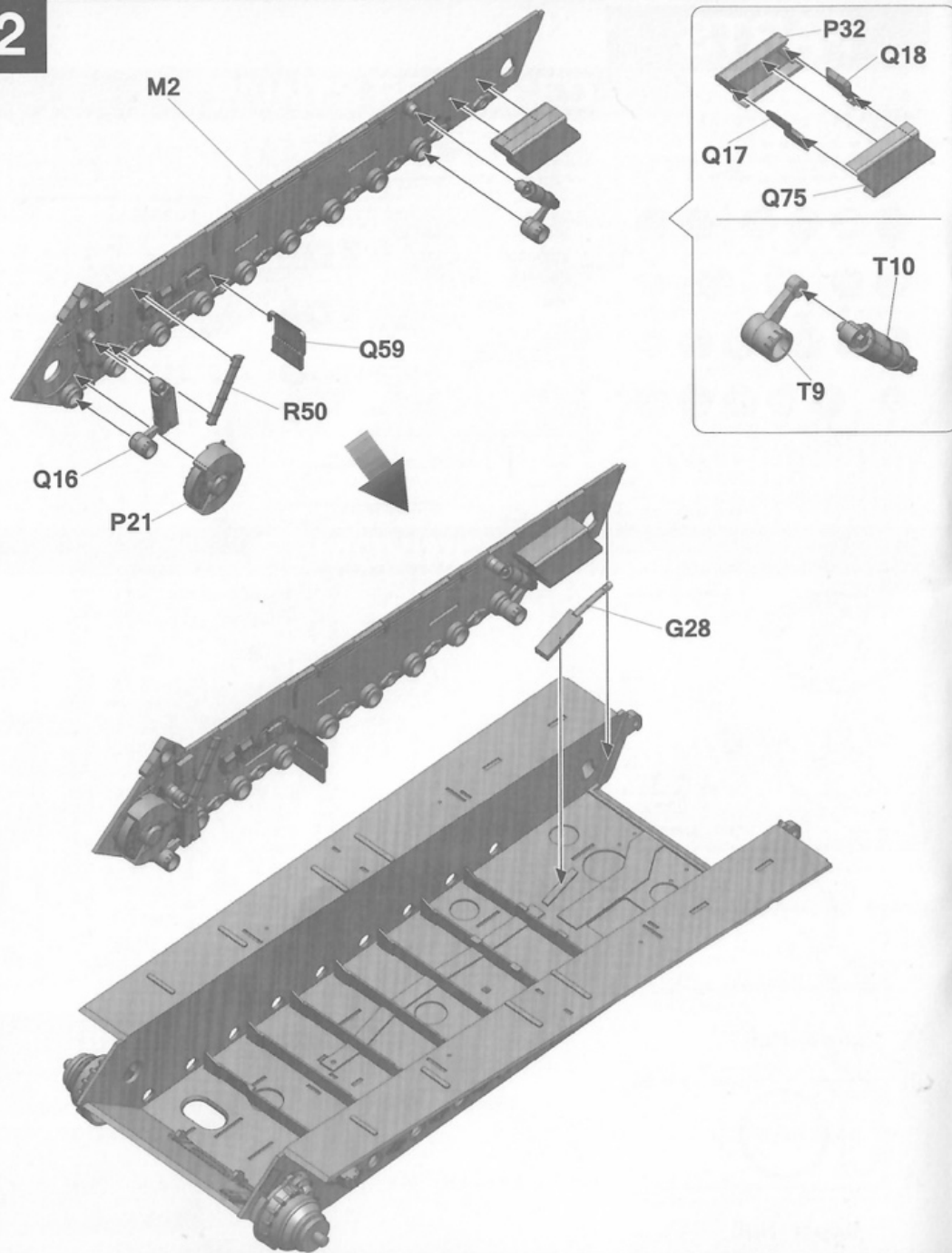
TP



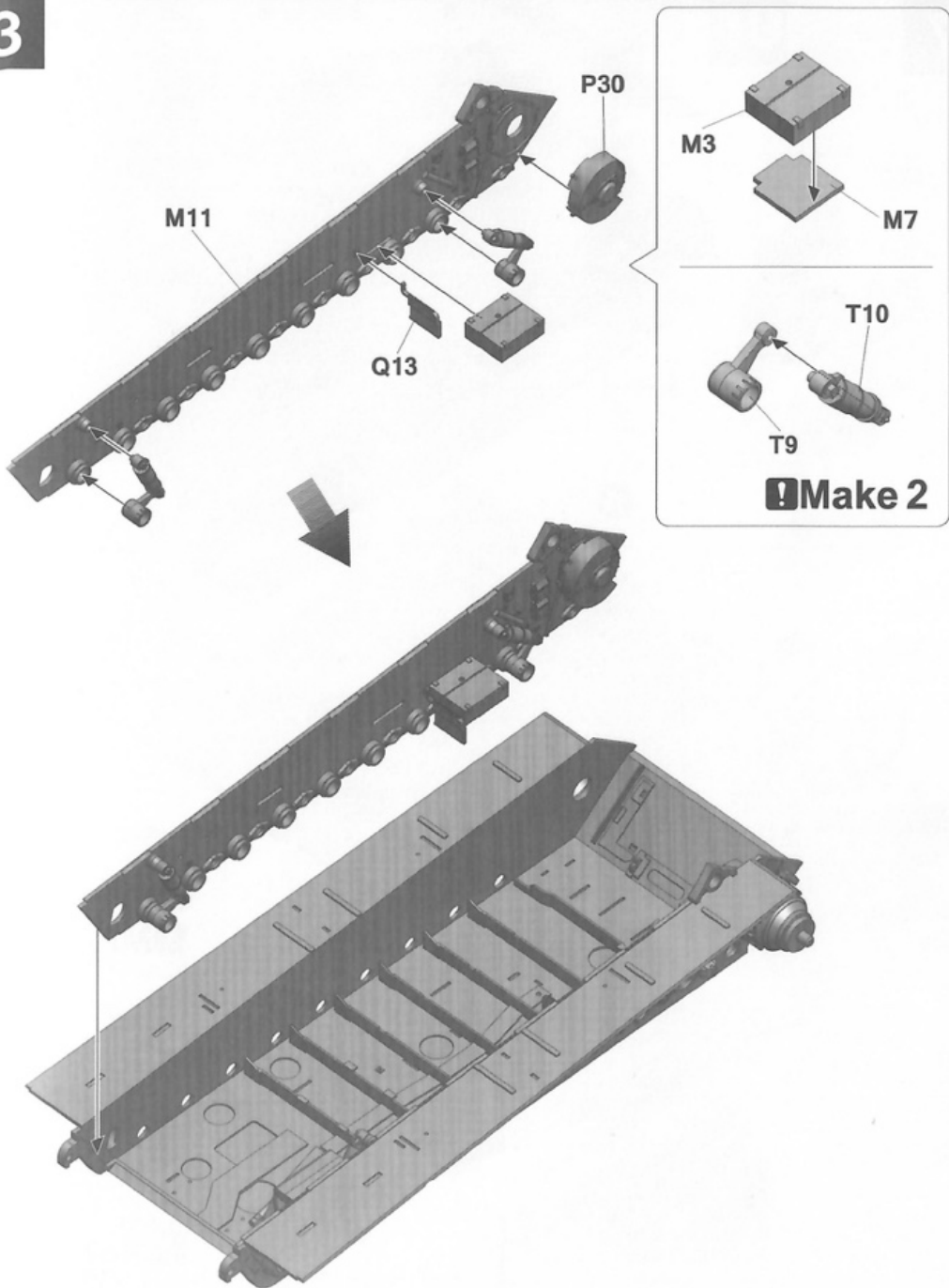
Decal



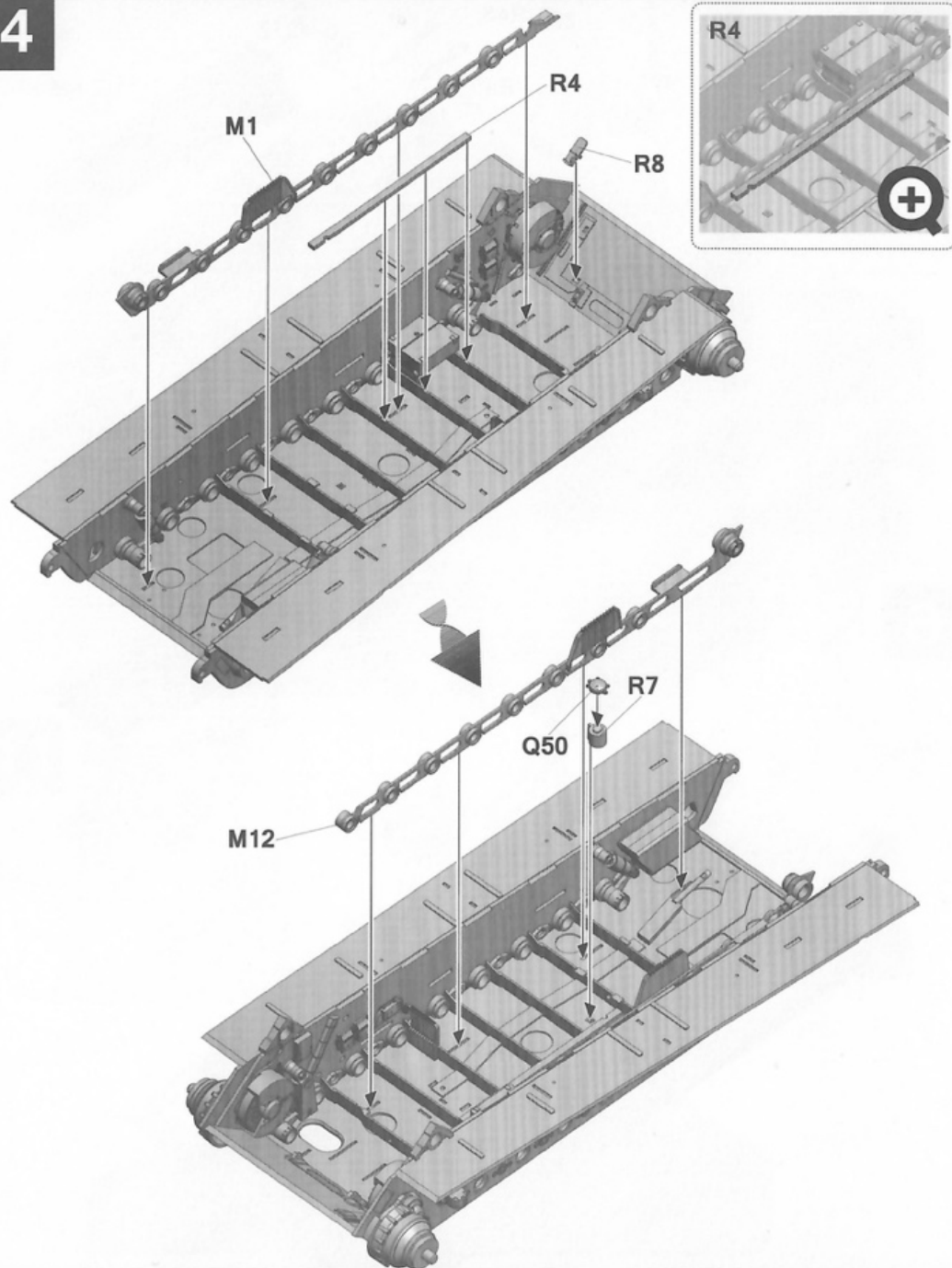
X2

1**2****3**

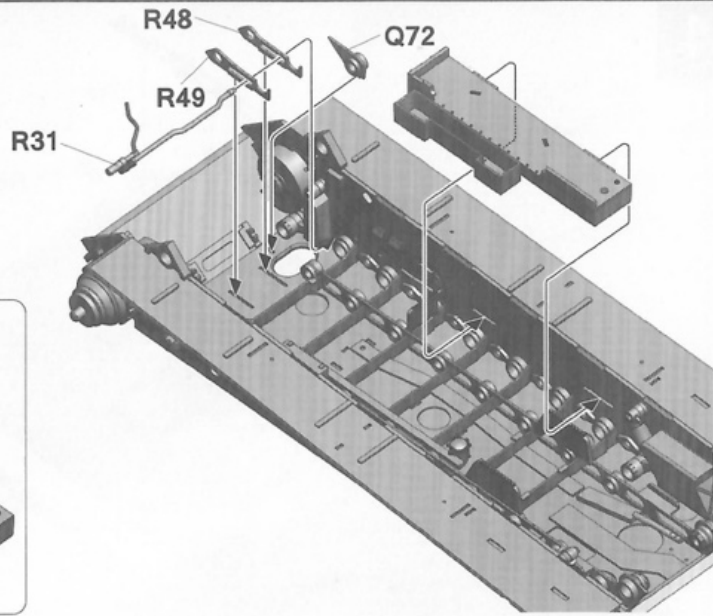
3



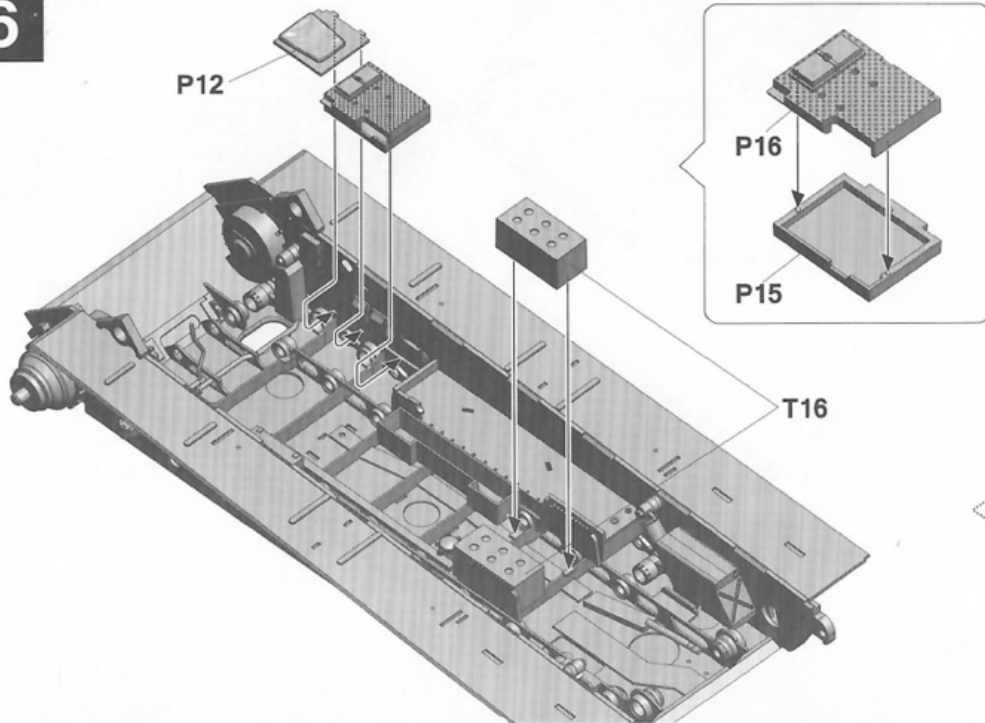
4



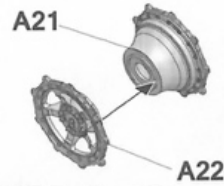
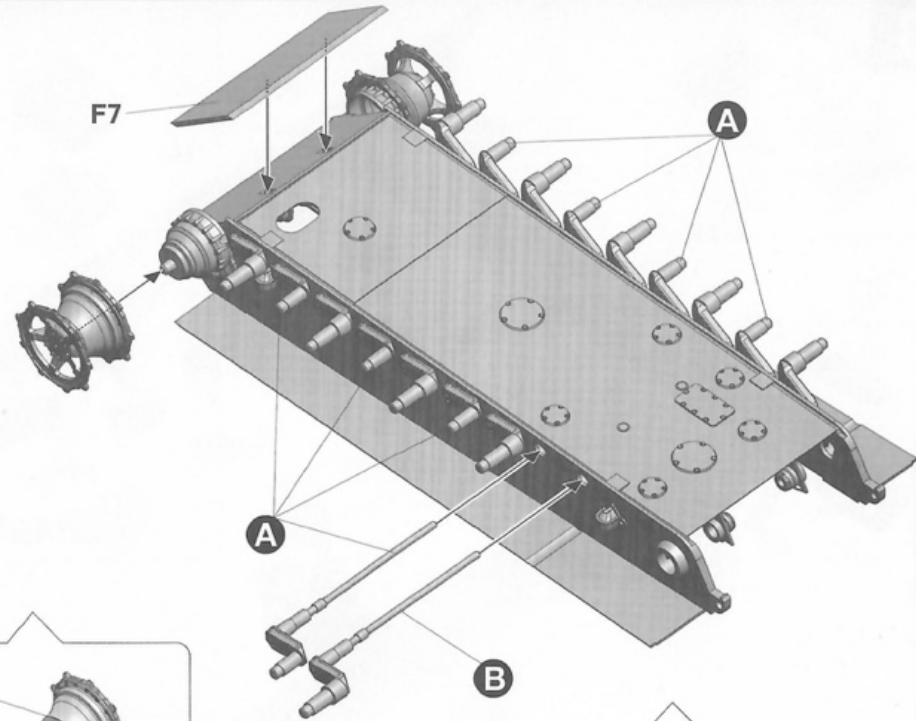
5



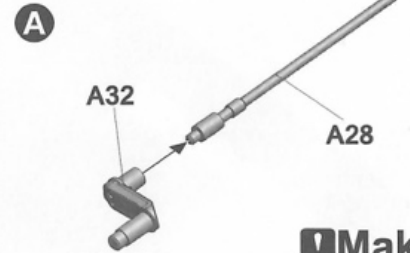
6



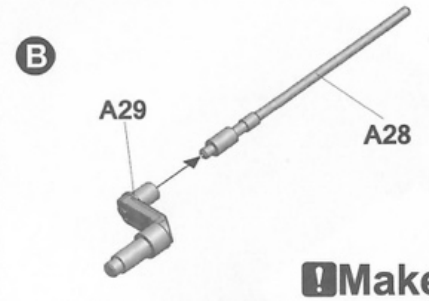
7



Make 2

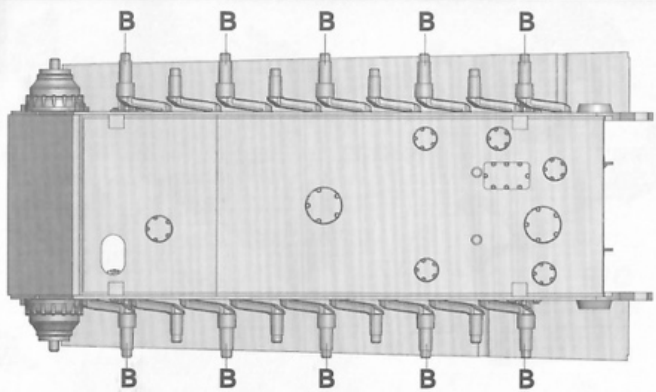


Make 8

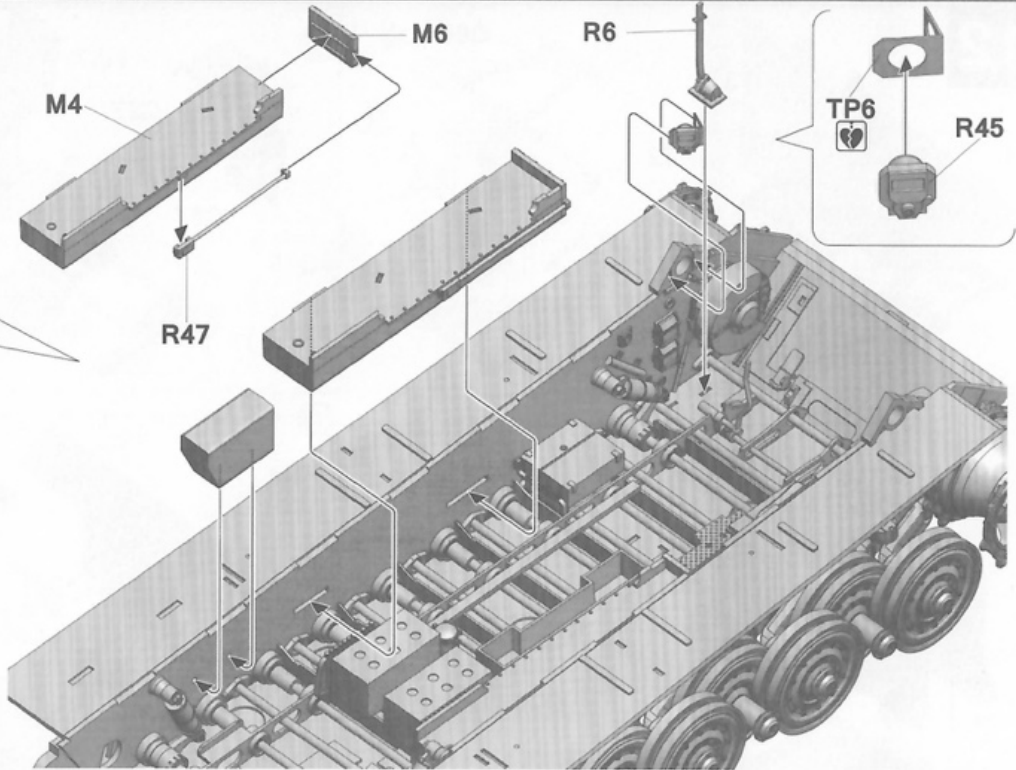
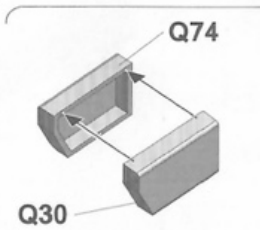


Make 10

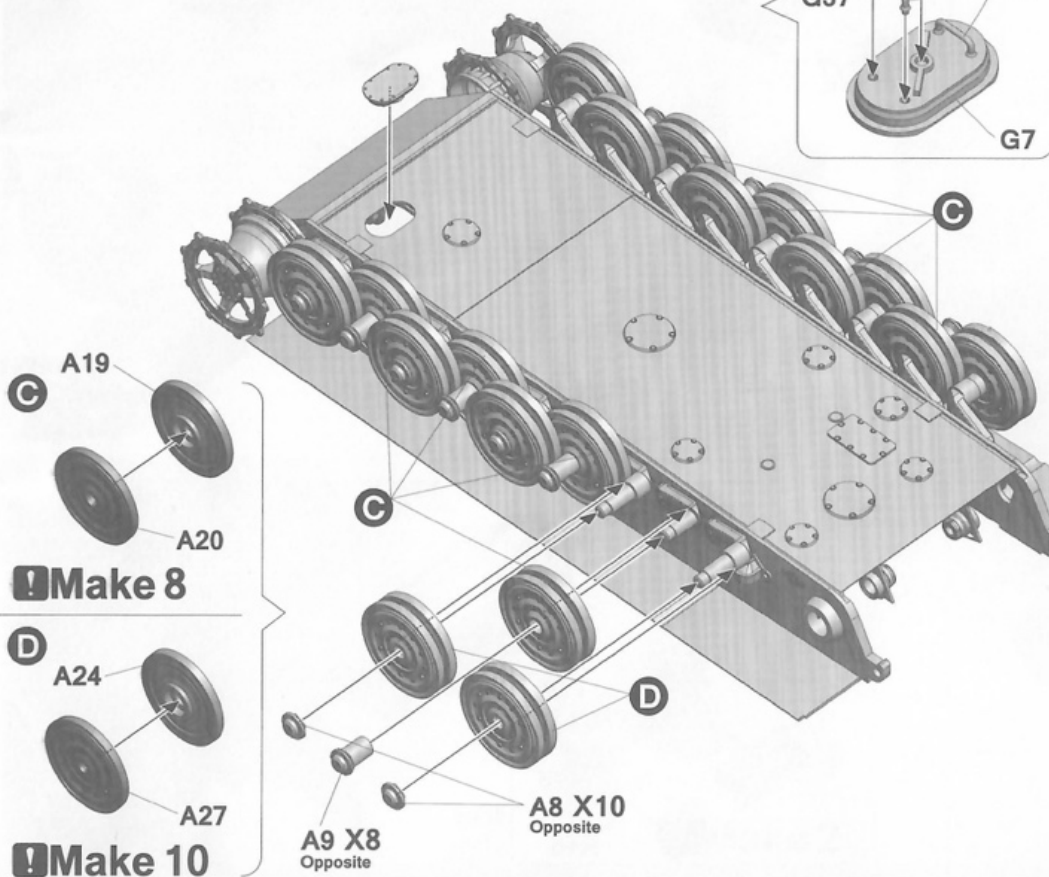
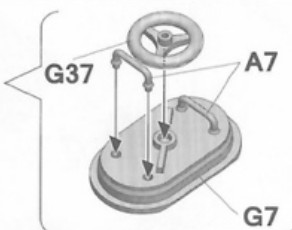
8



10



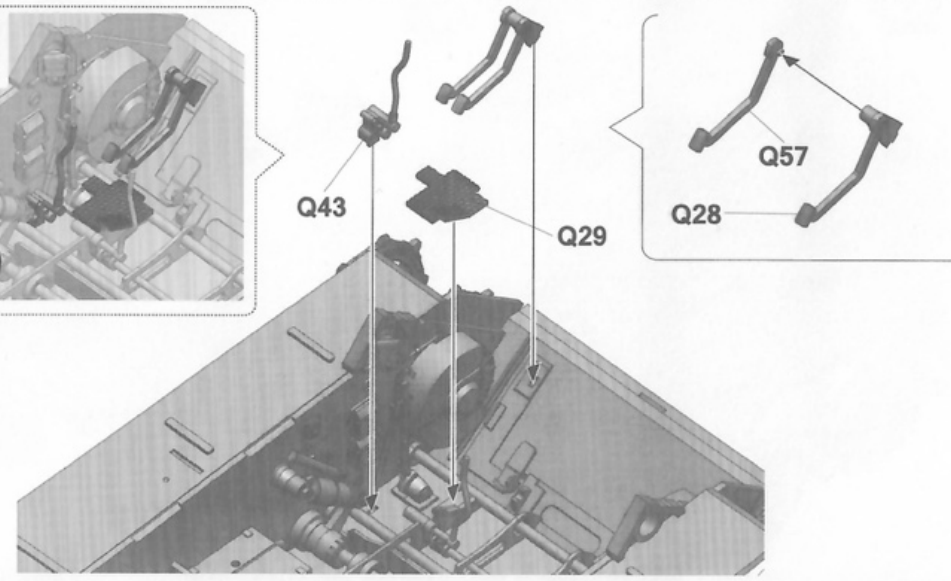
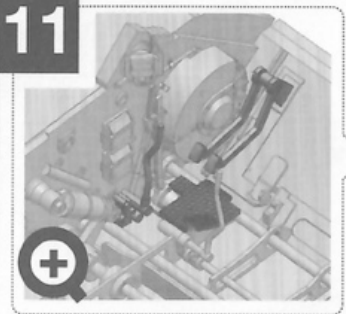
9



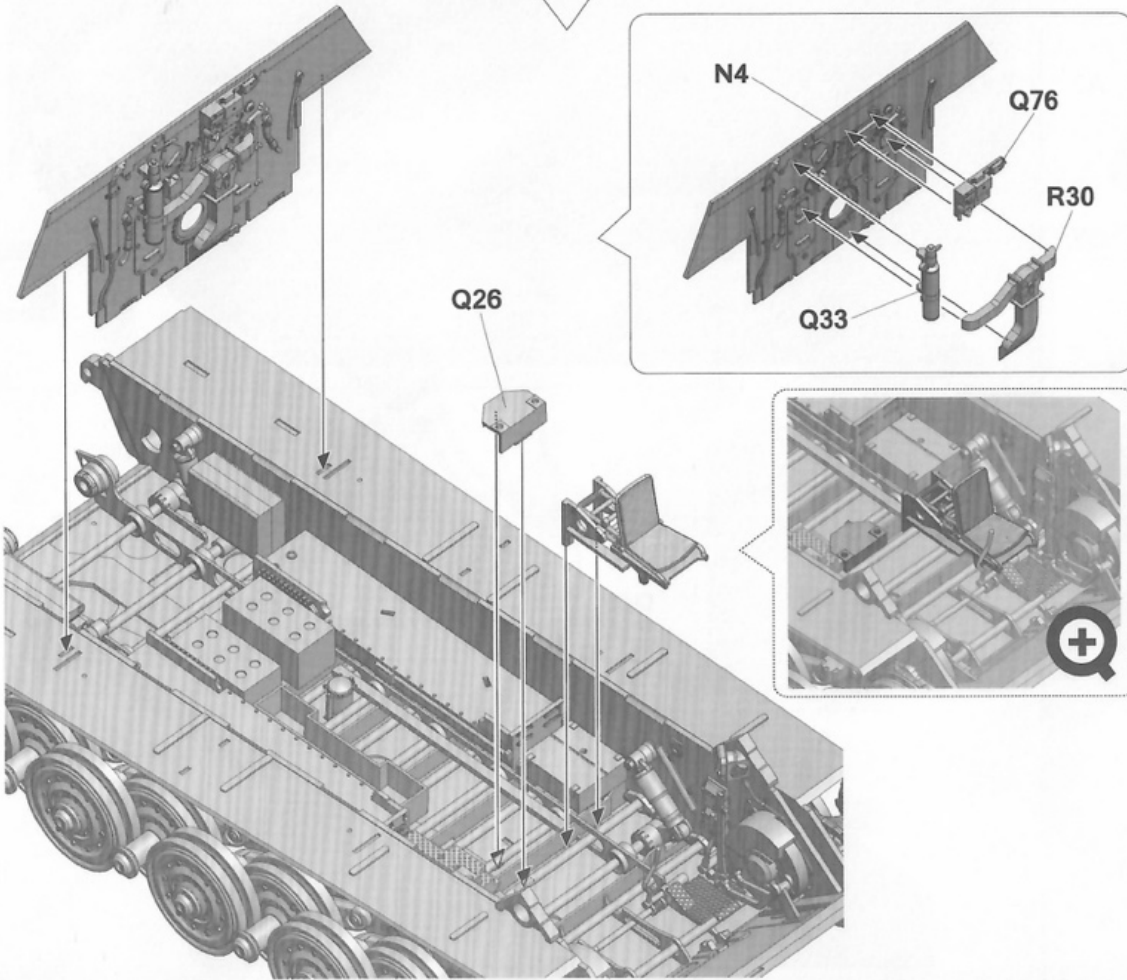
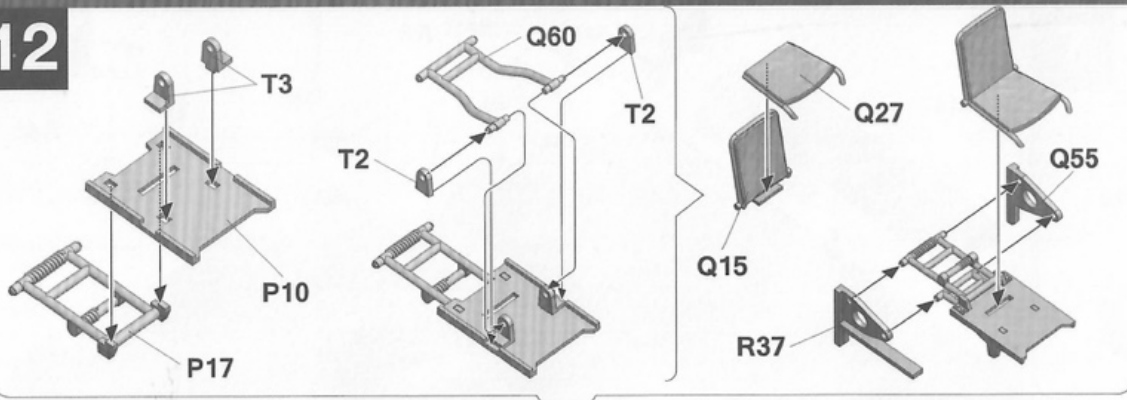
Make 8

Make 10

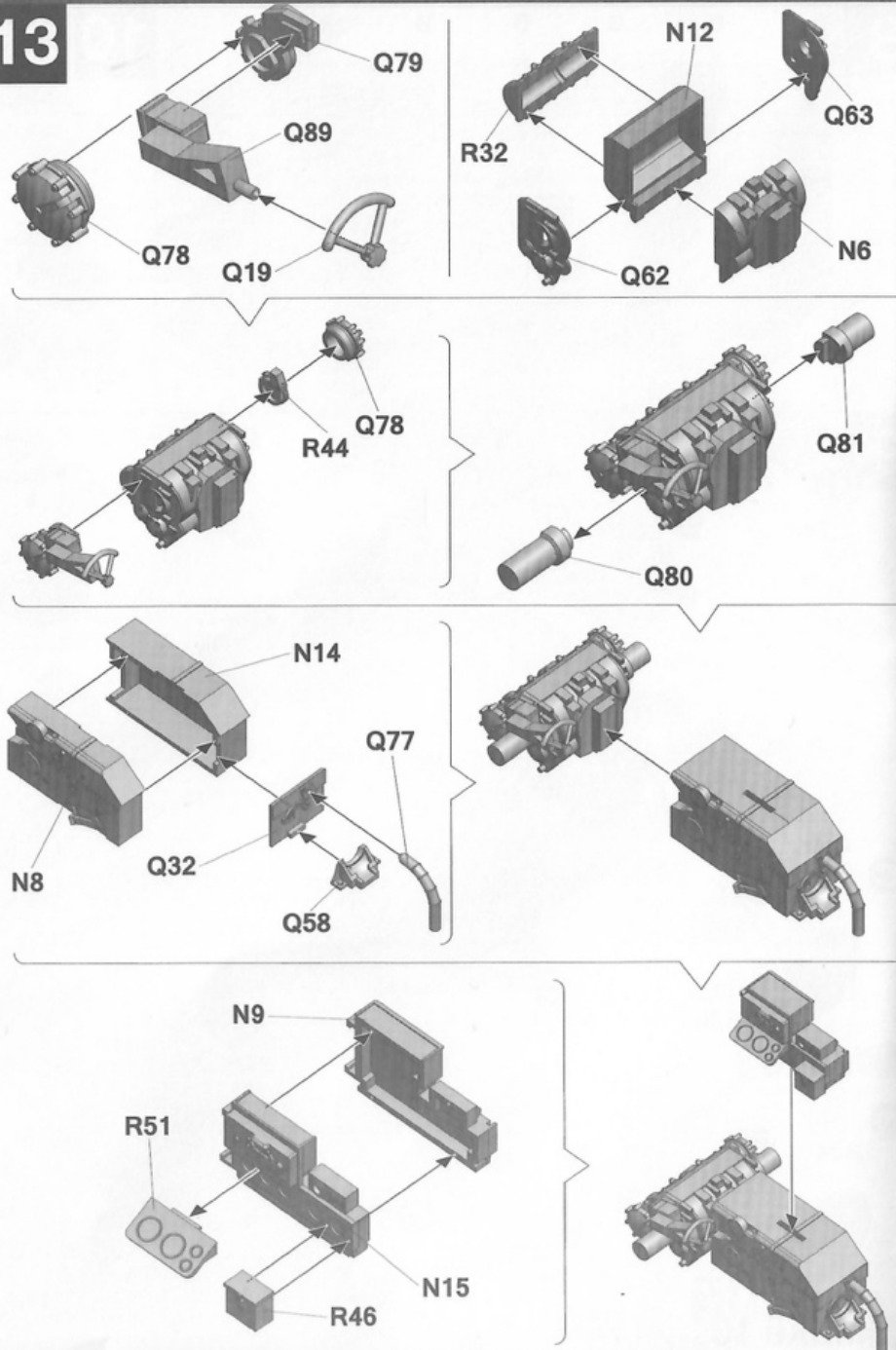
11



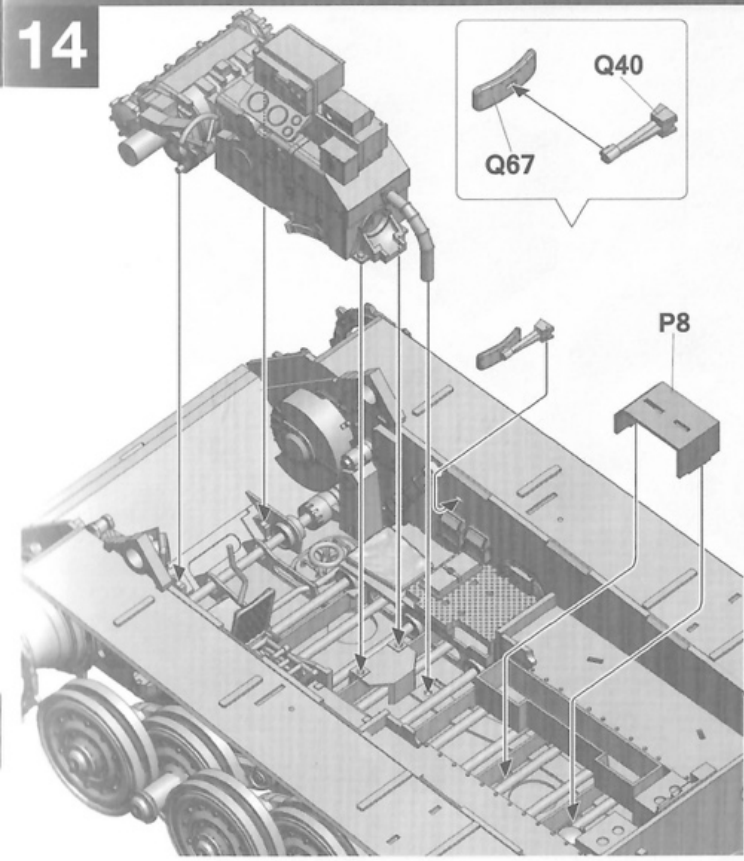
12



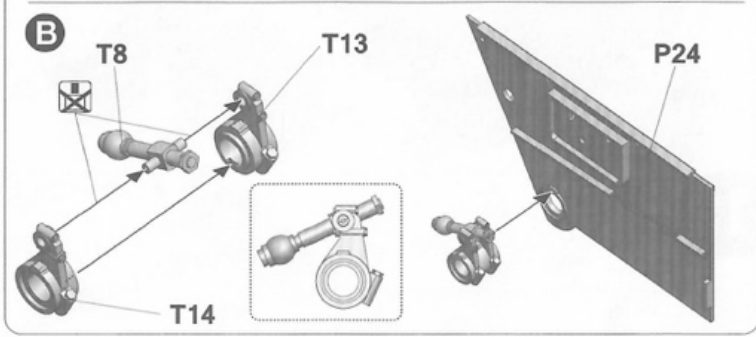
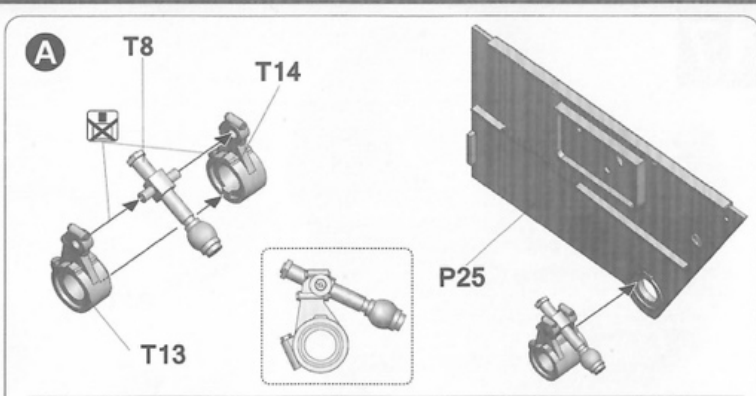
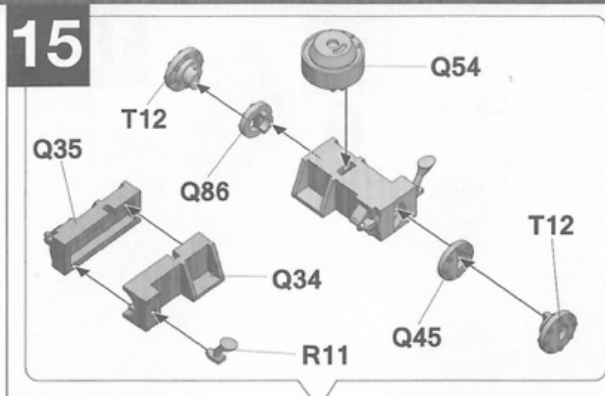
13



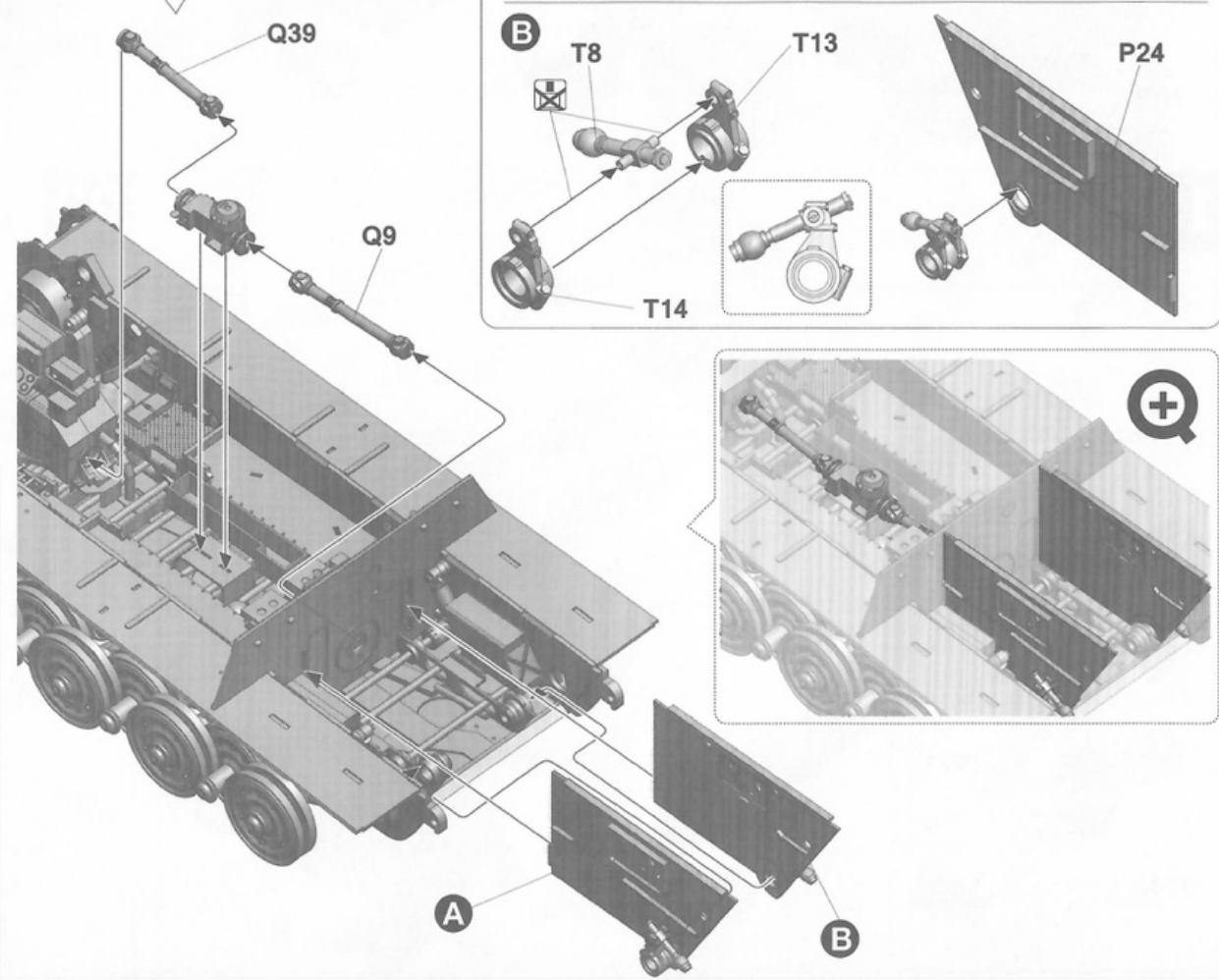
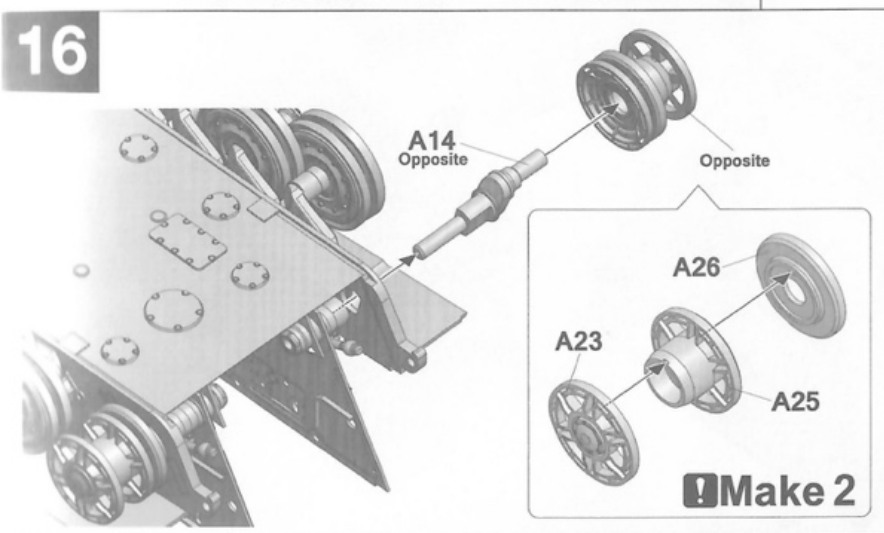
14



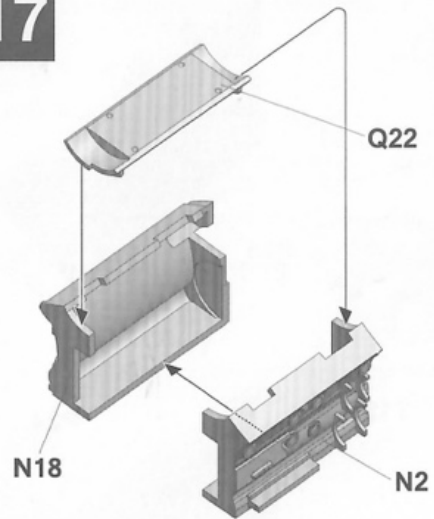
15



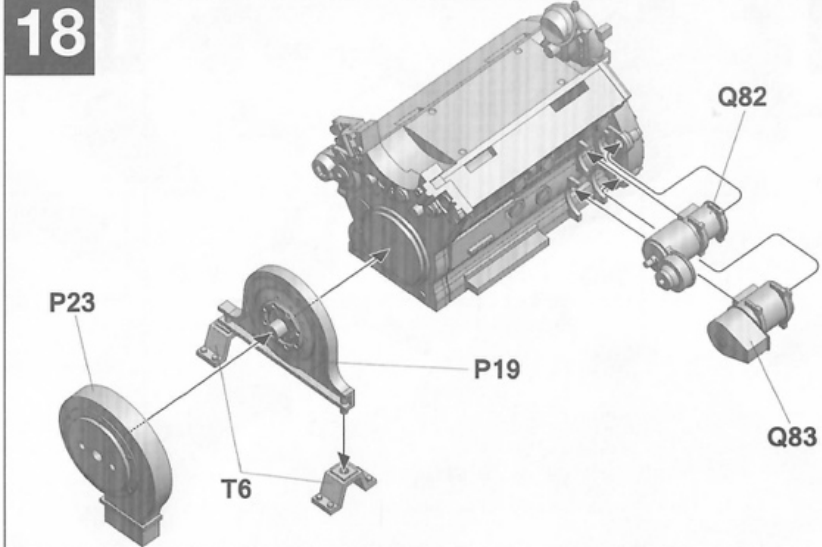
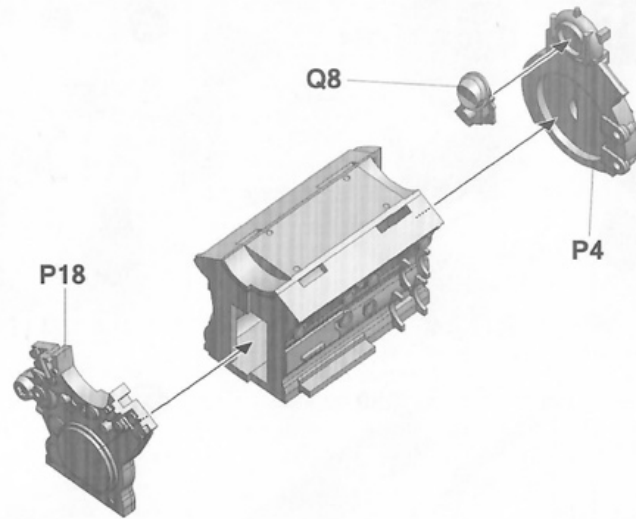
16



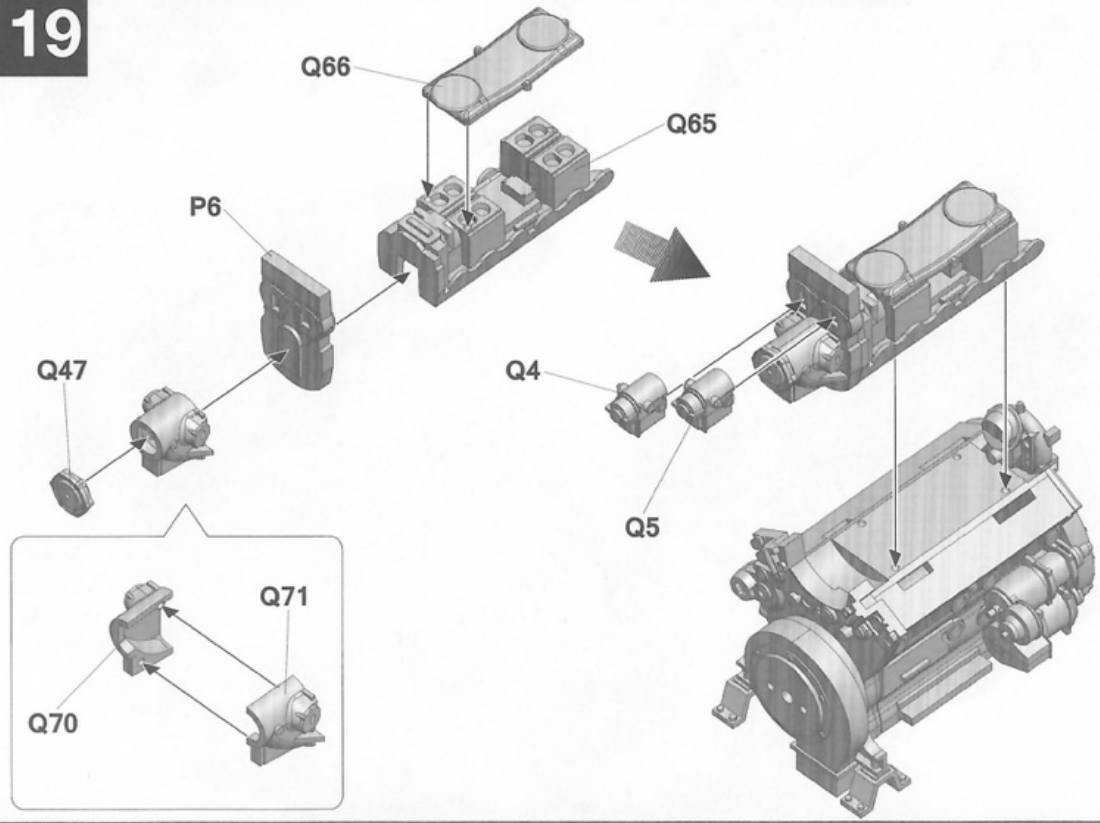
17



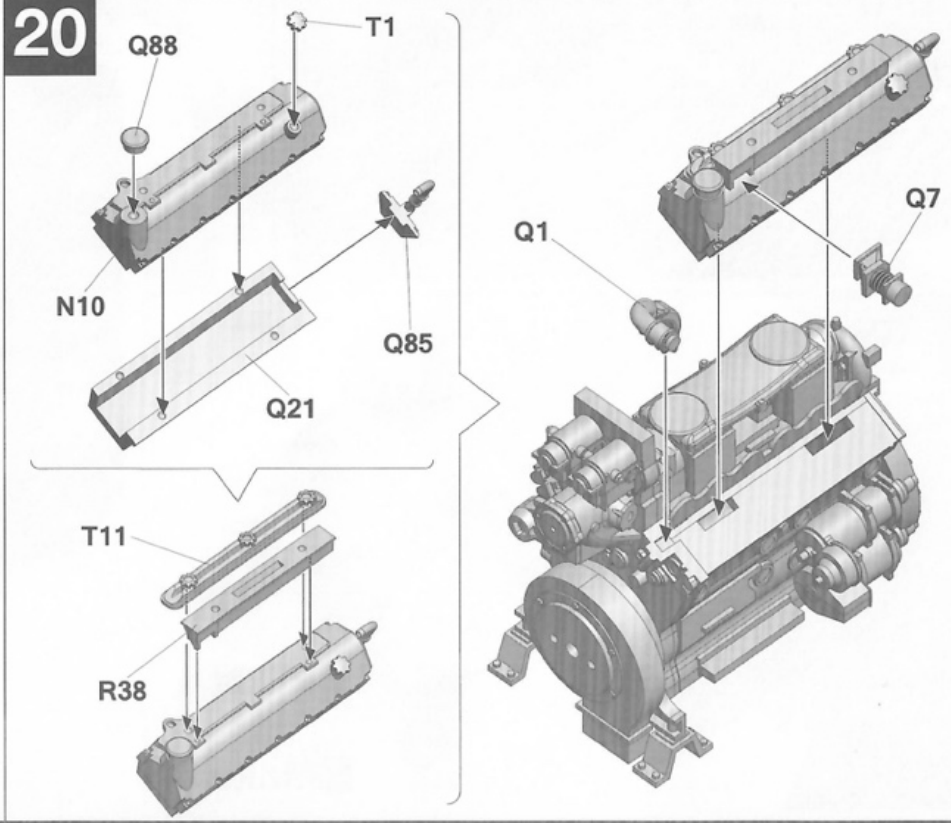
18



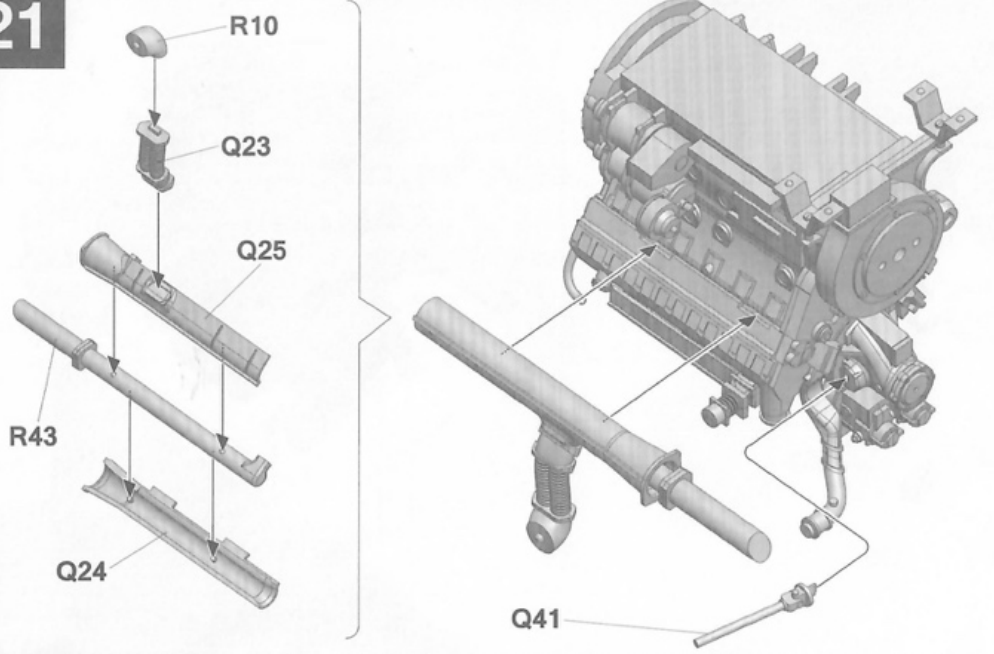
19



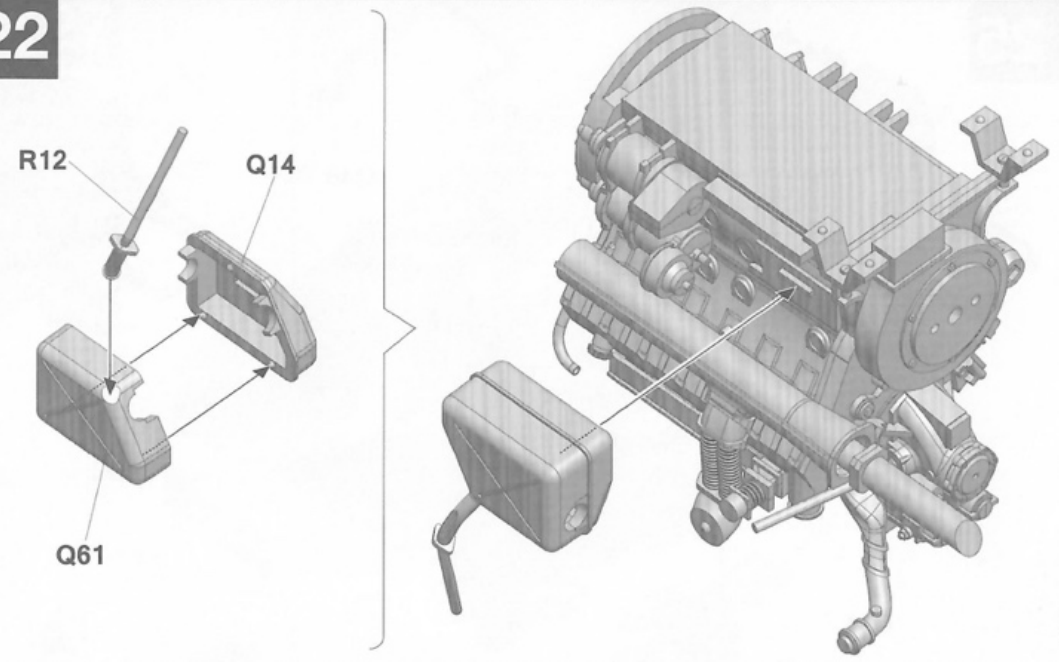
20



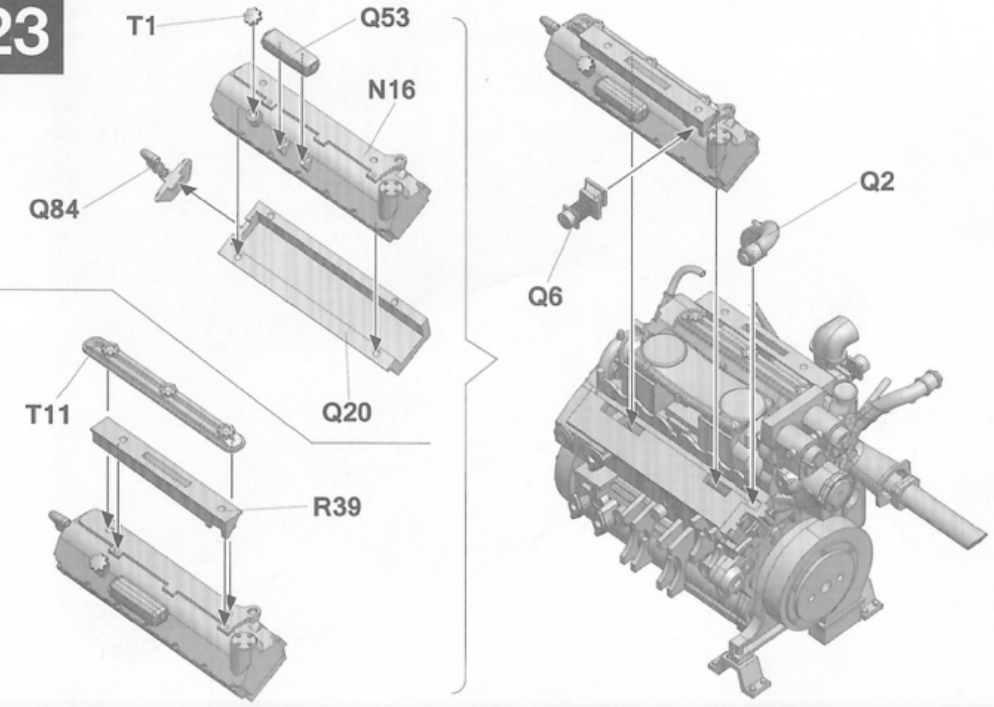
21



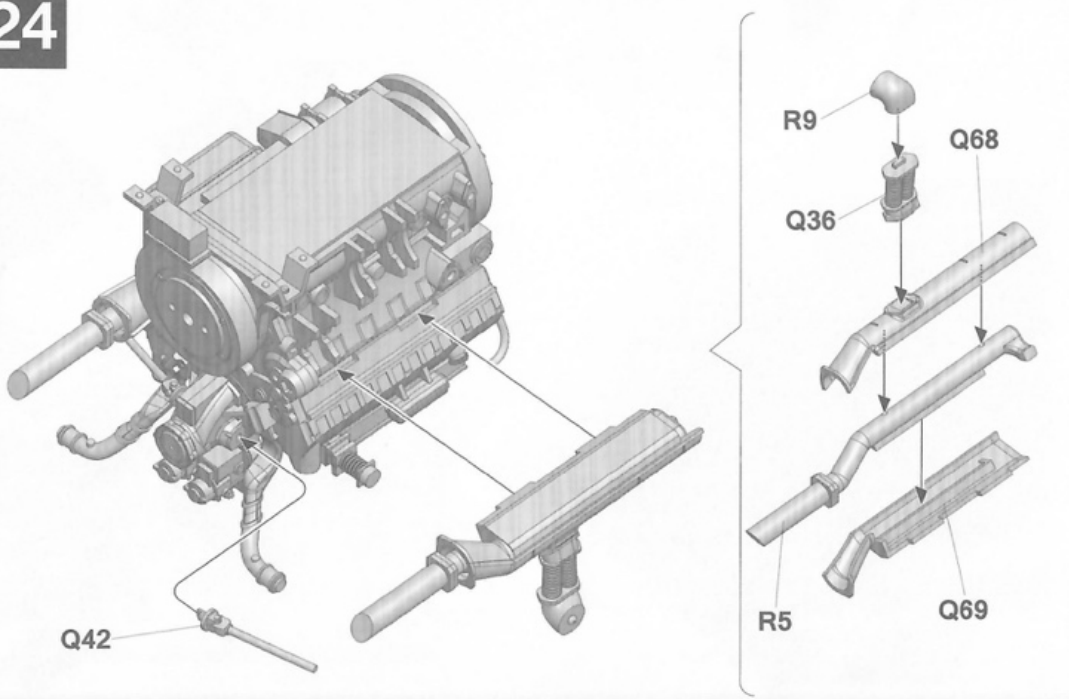
22

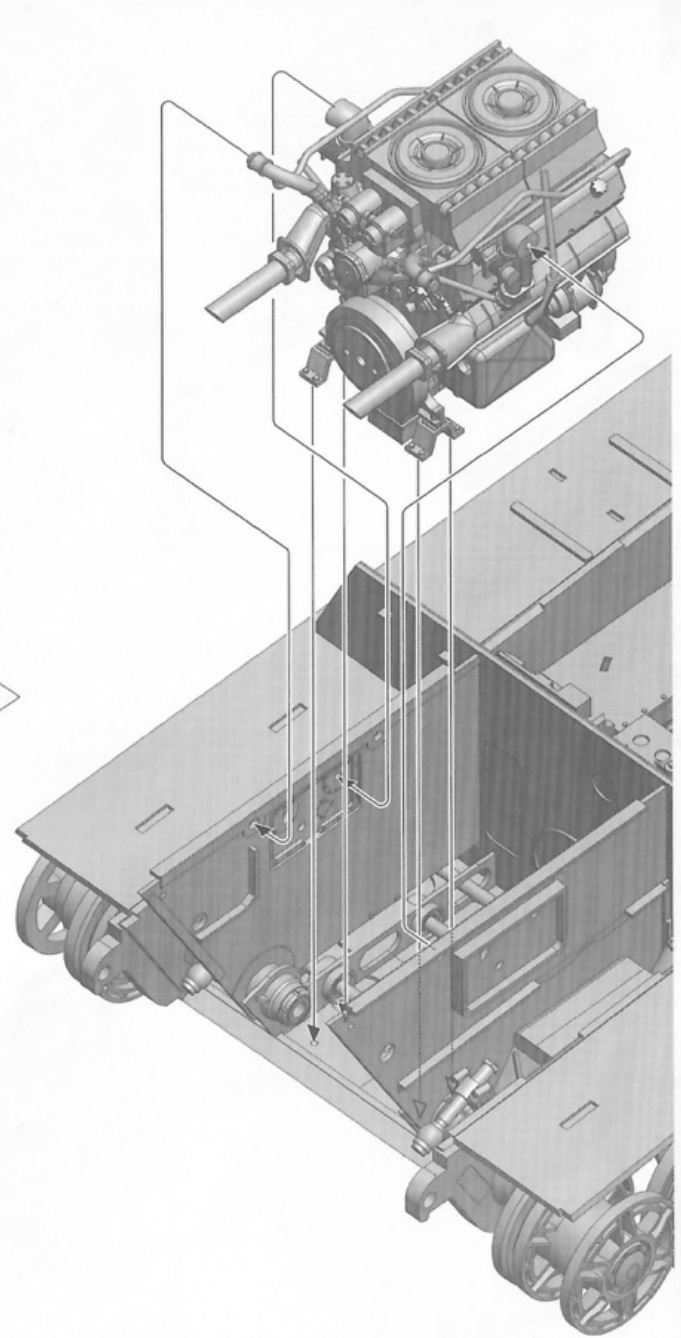
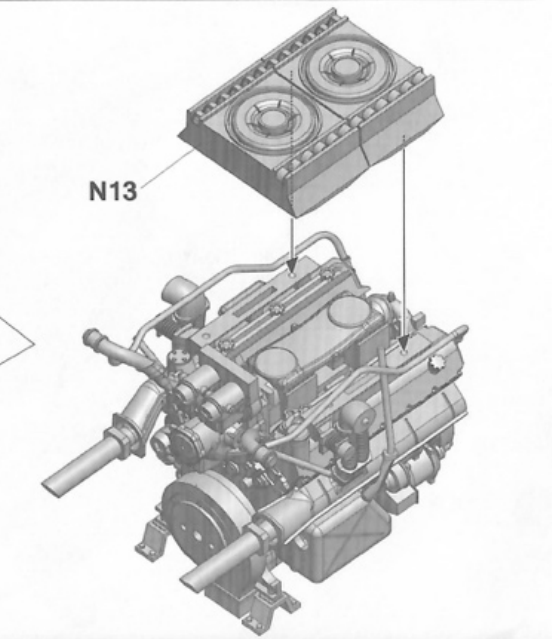
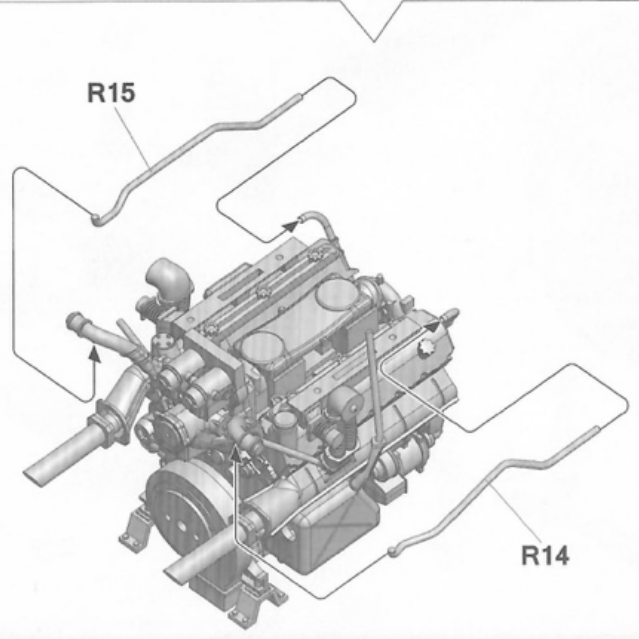
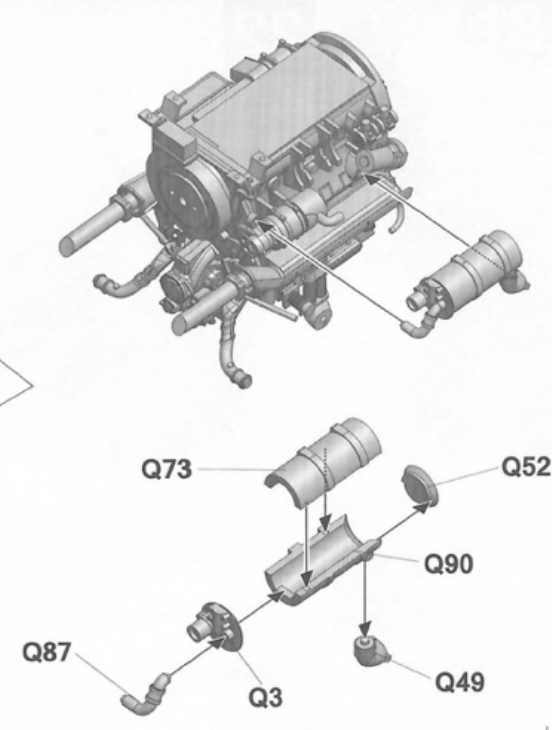
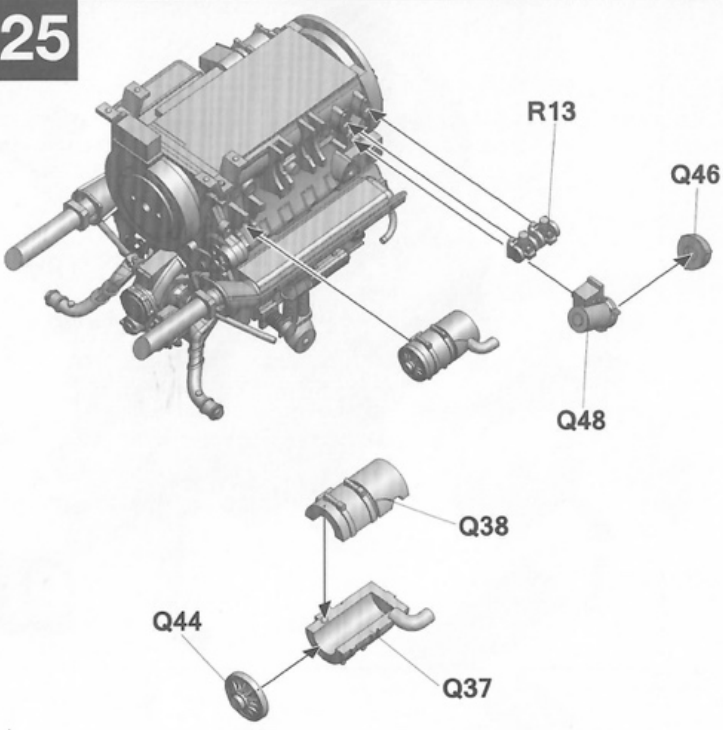


23

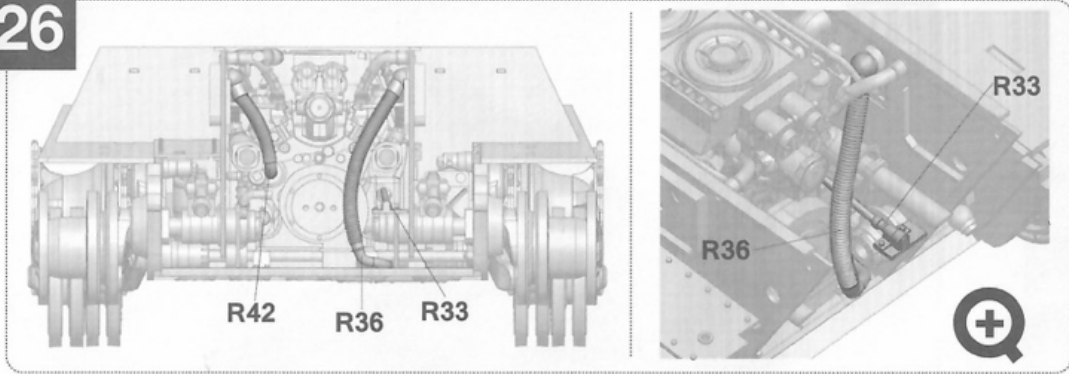


24

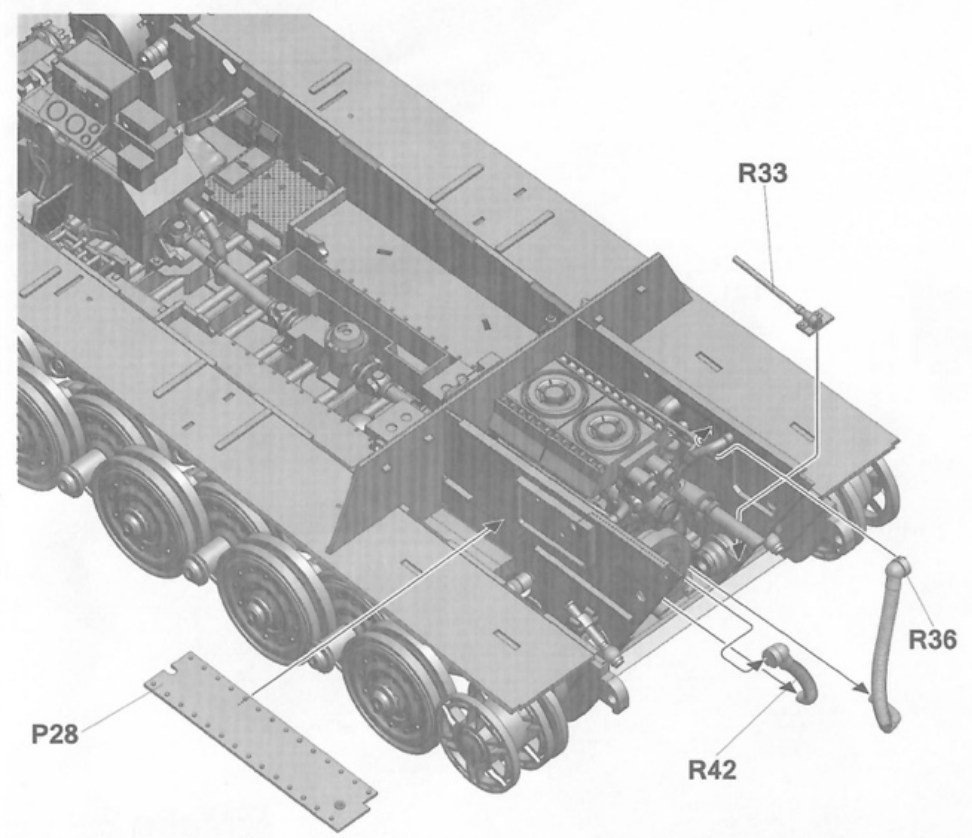
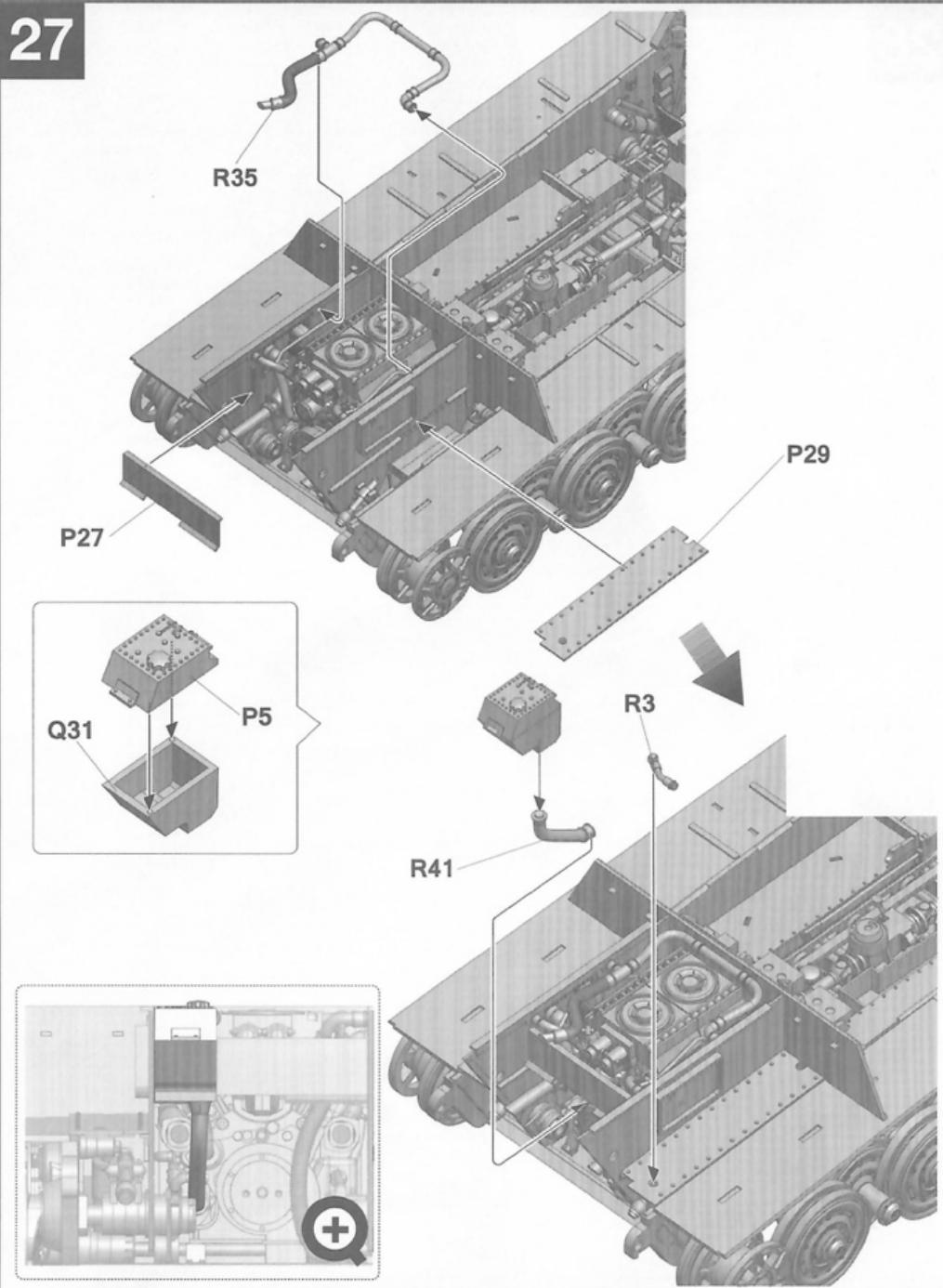




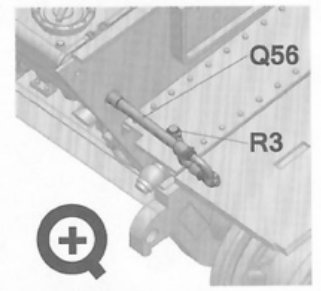
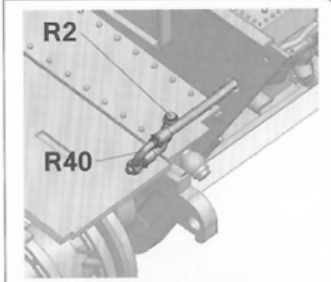
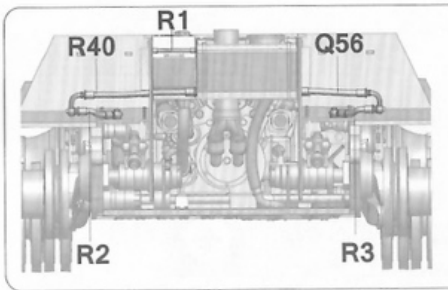
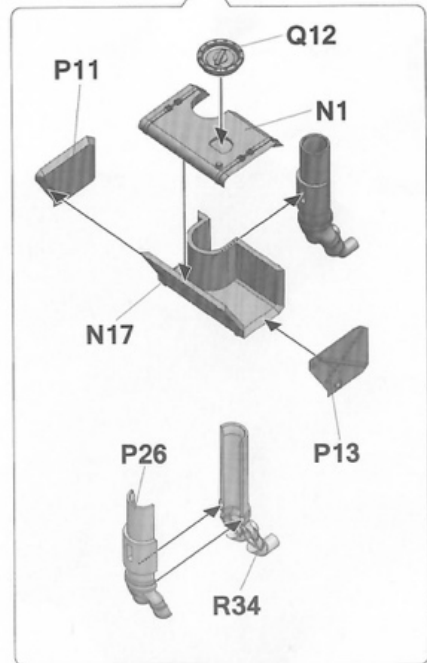
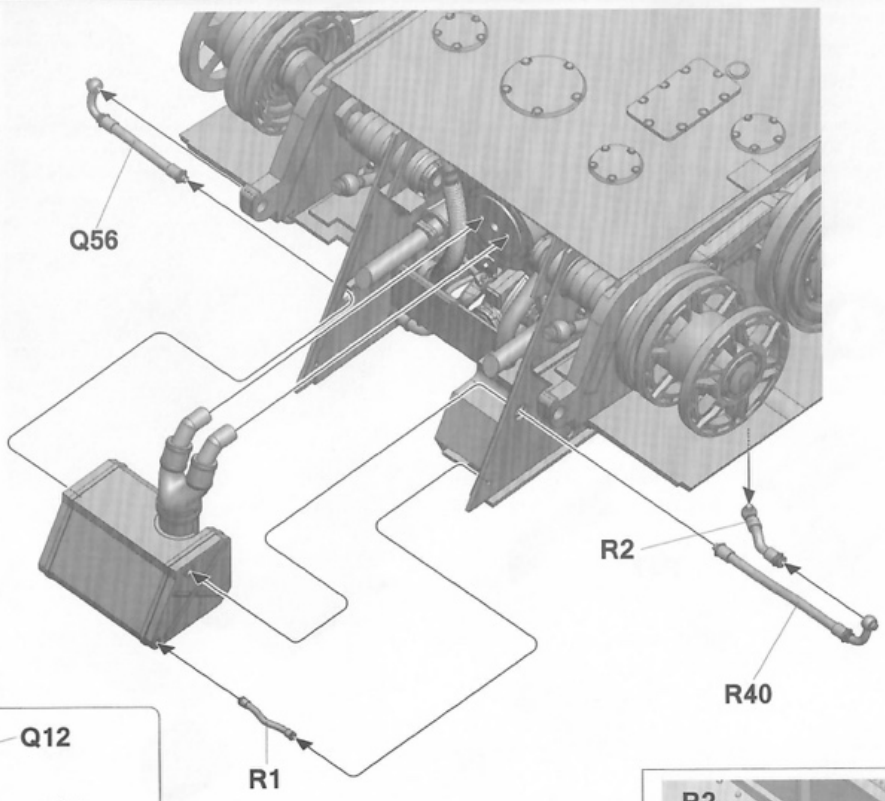
26



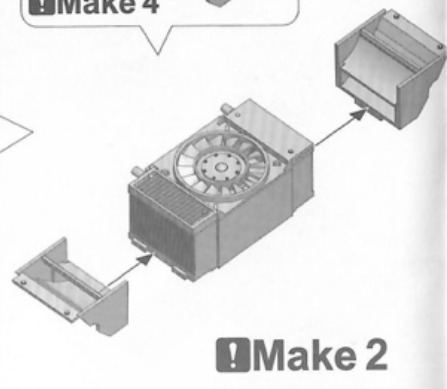
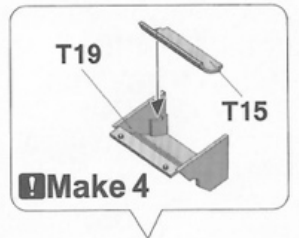
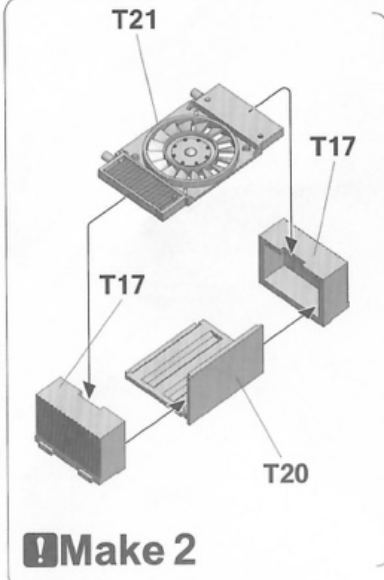
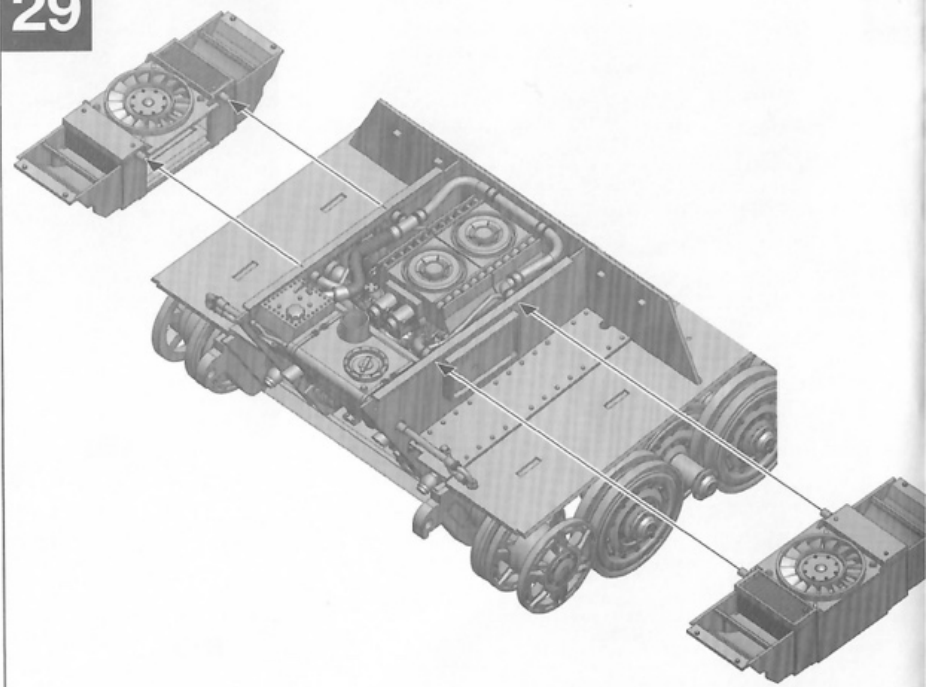
27

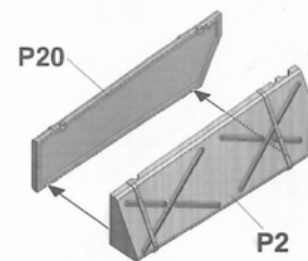
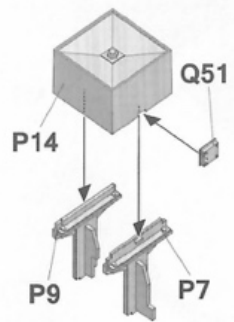
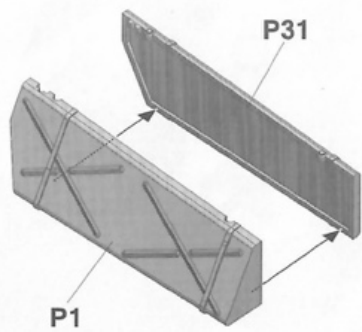


28

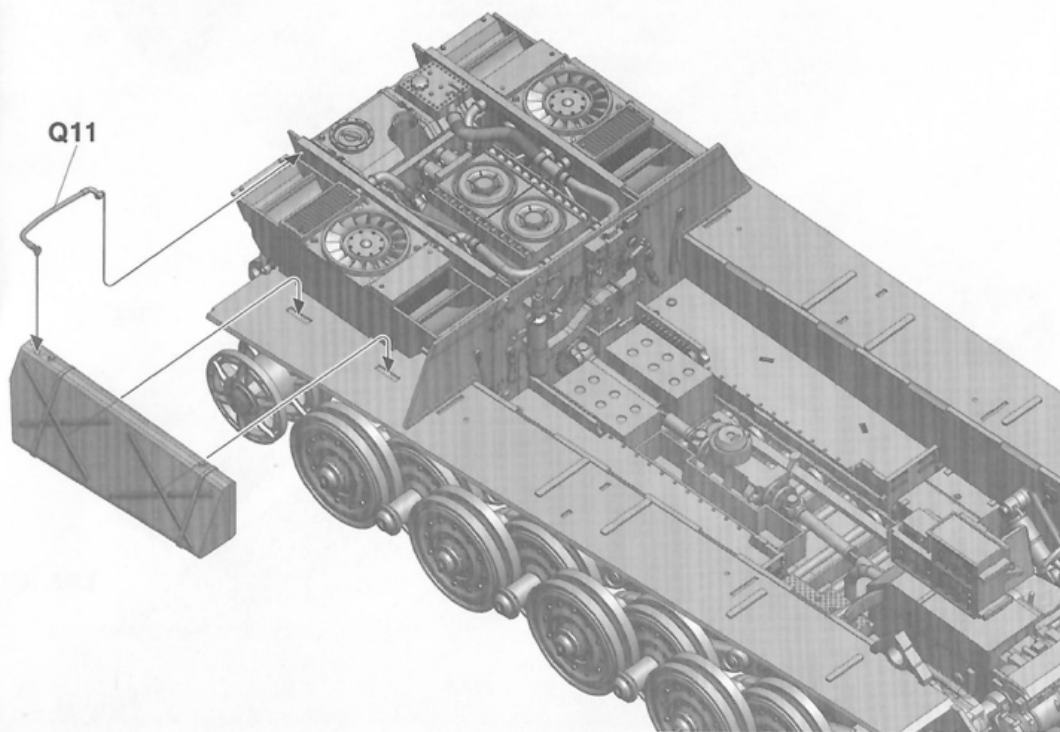


29

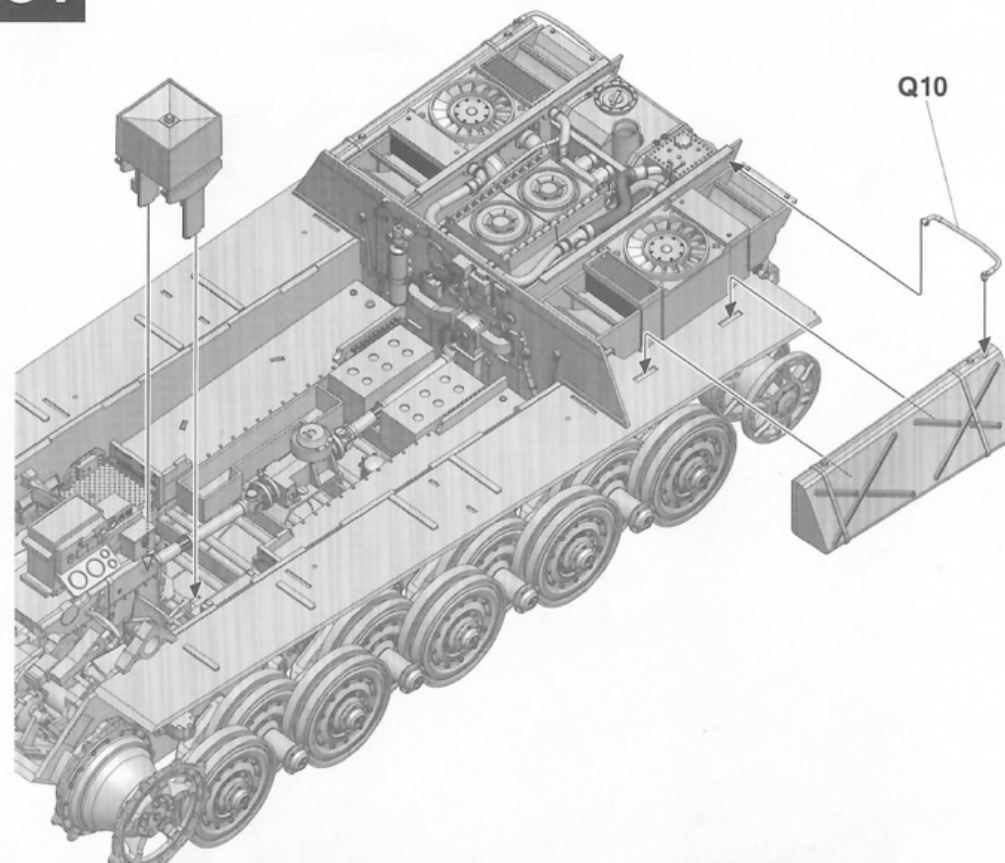




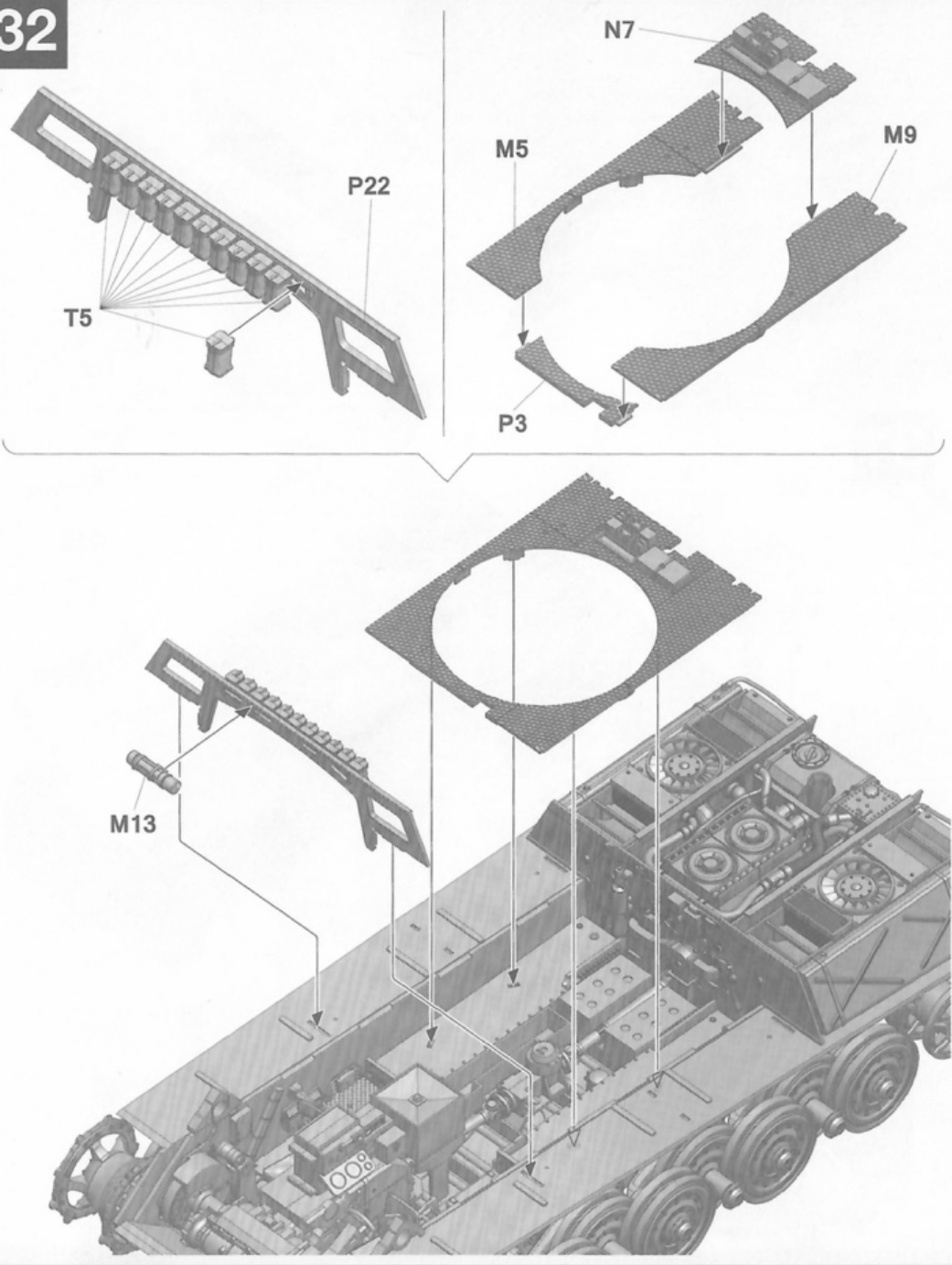
30



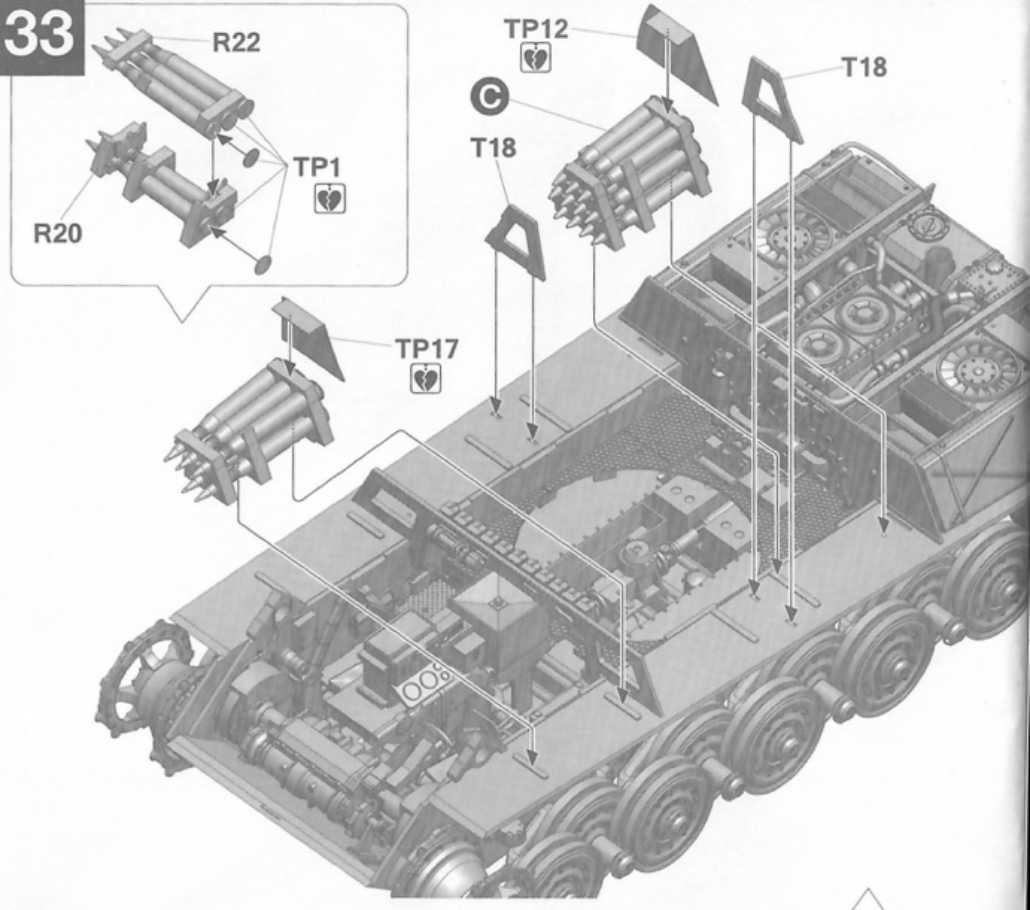
31



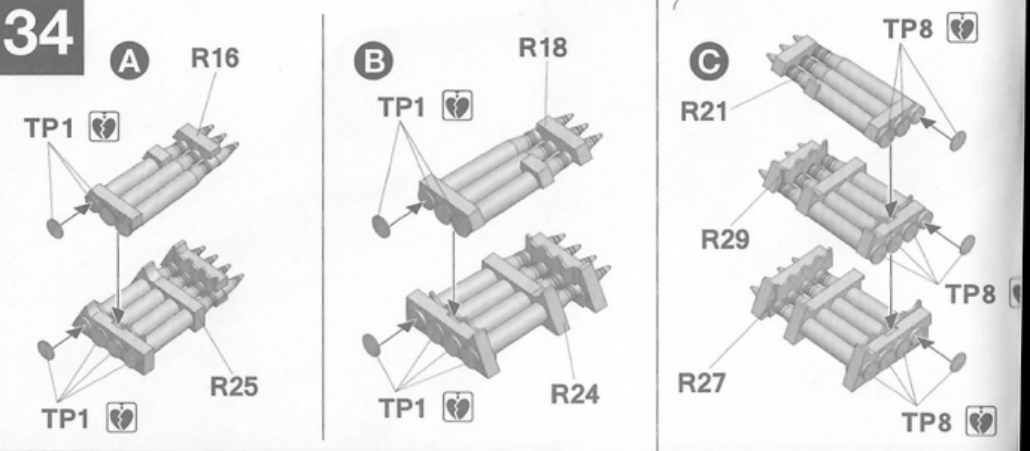
32



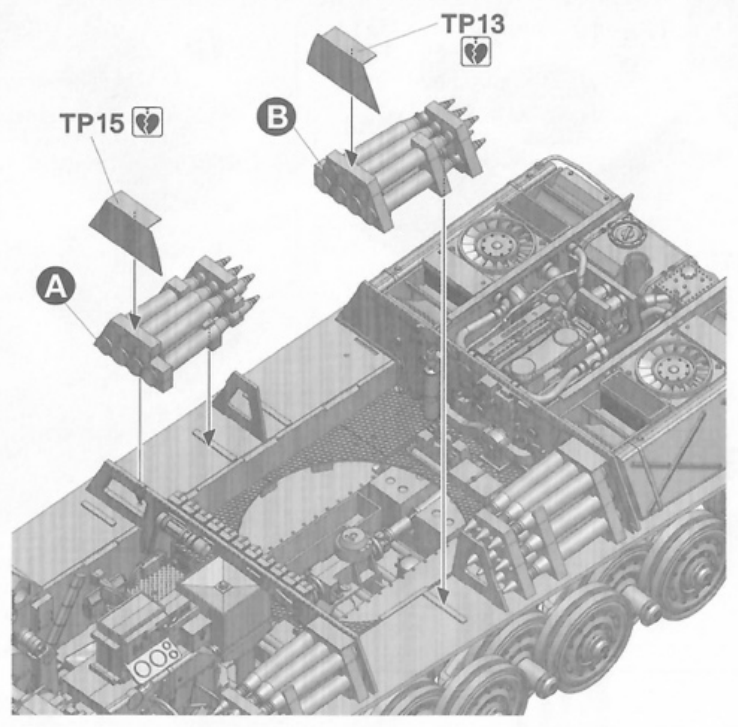
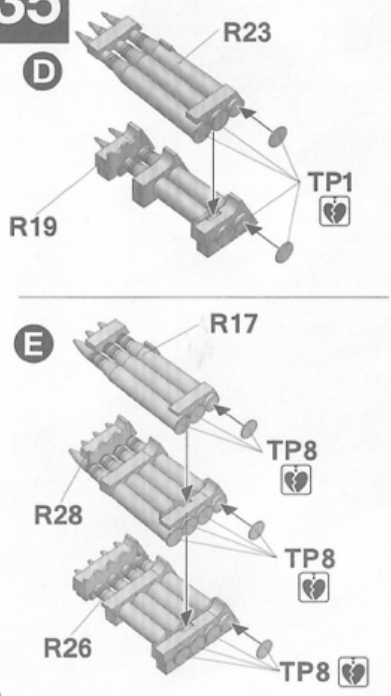
33



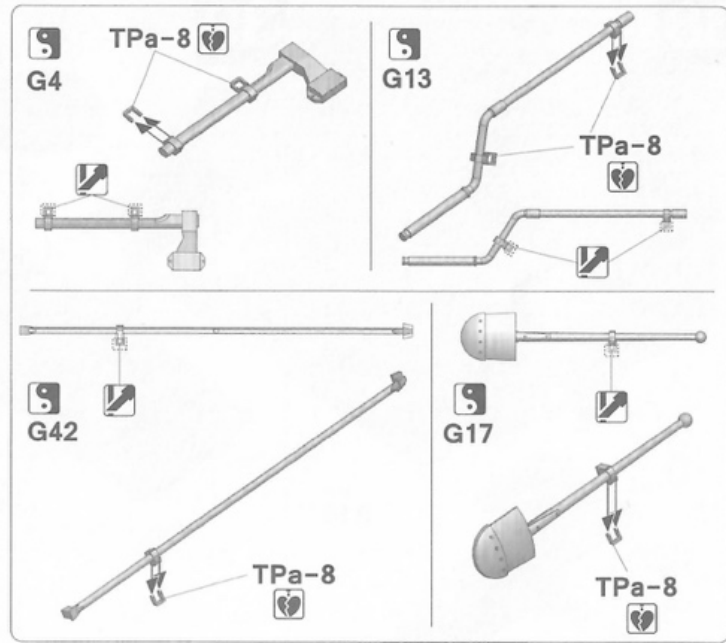
34



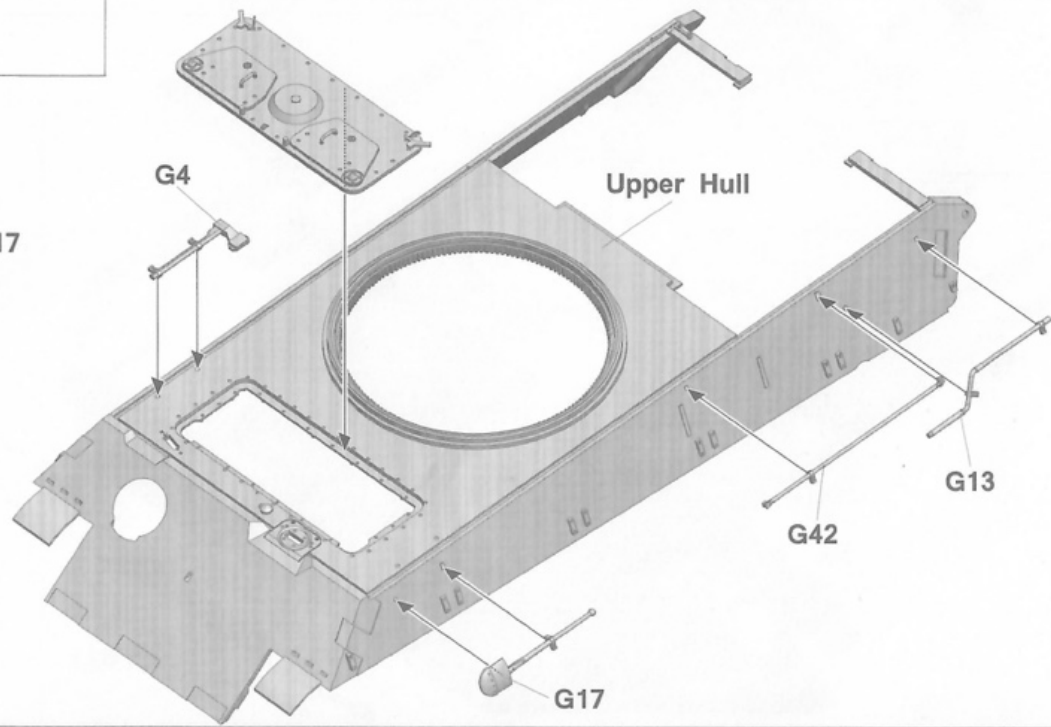
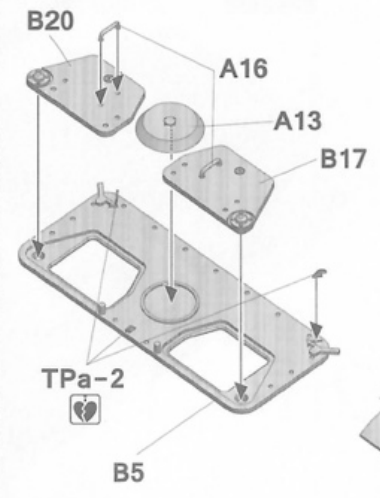
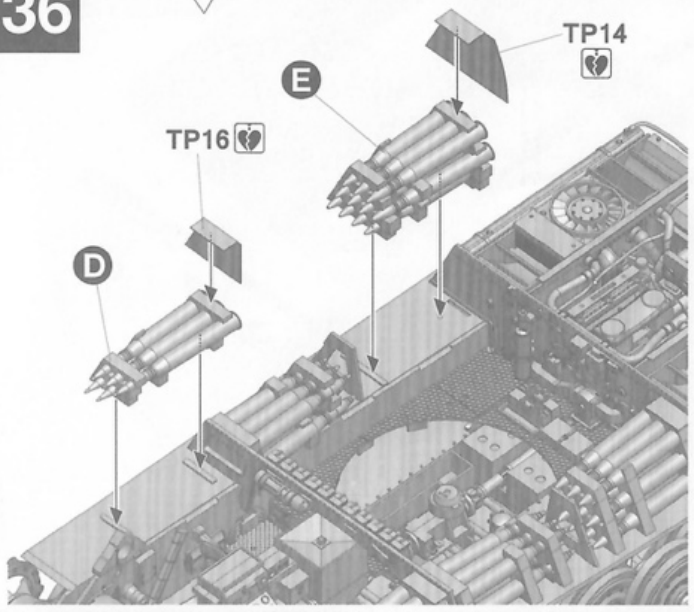
35

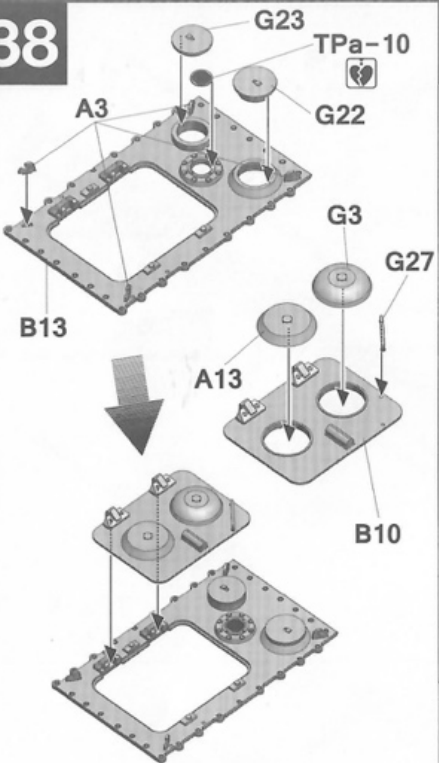
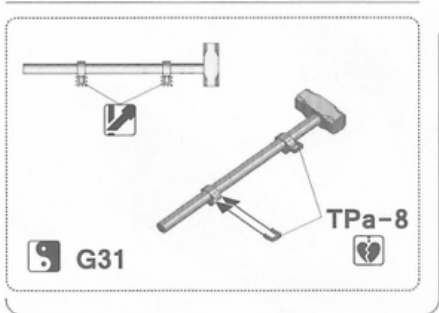
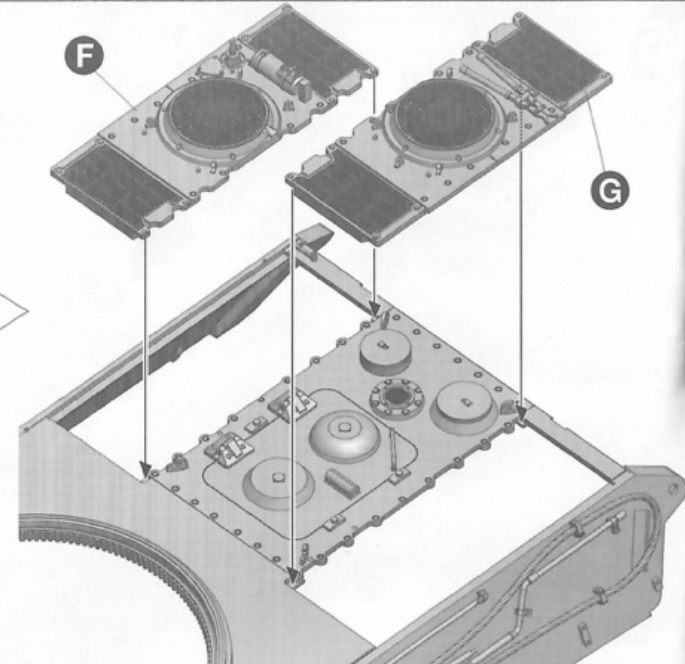
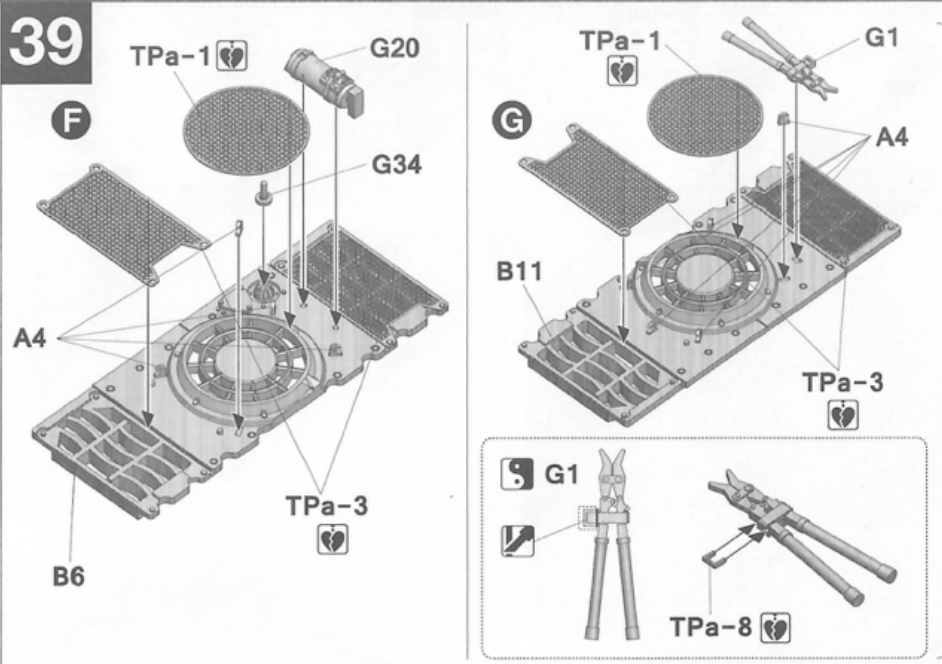
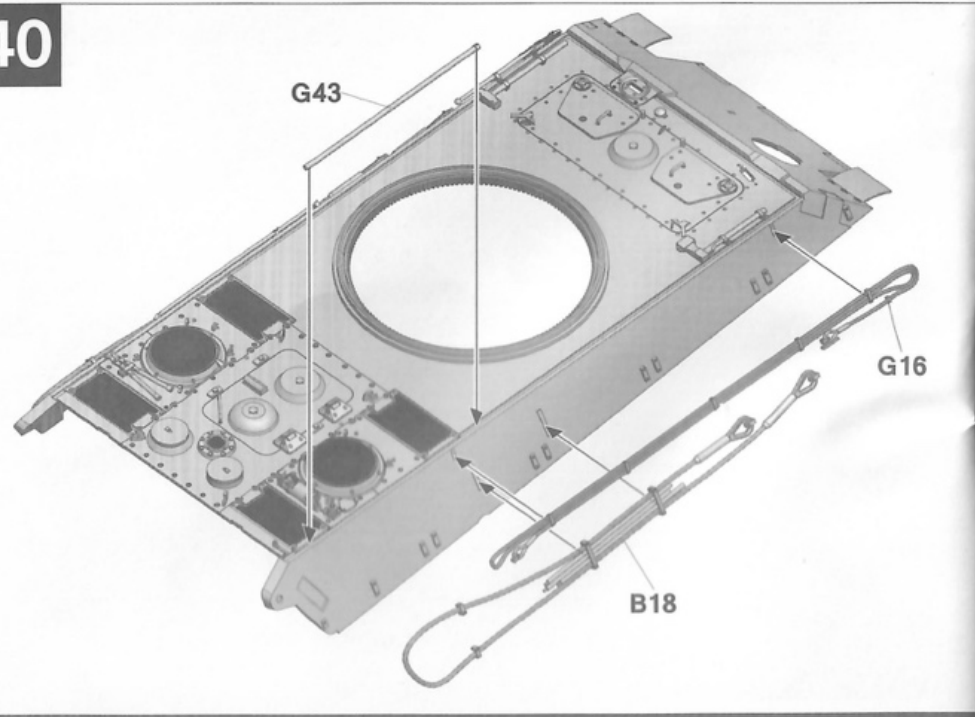
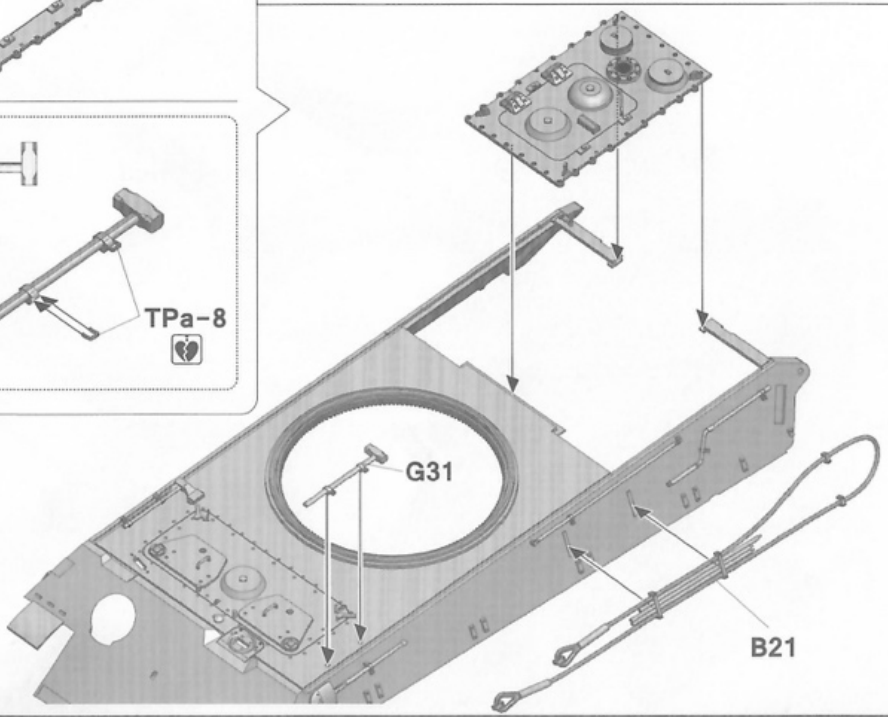


37

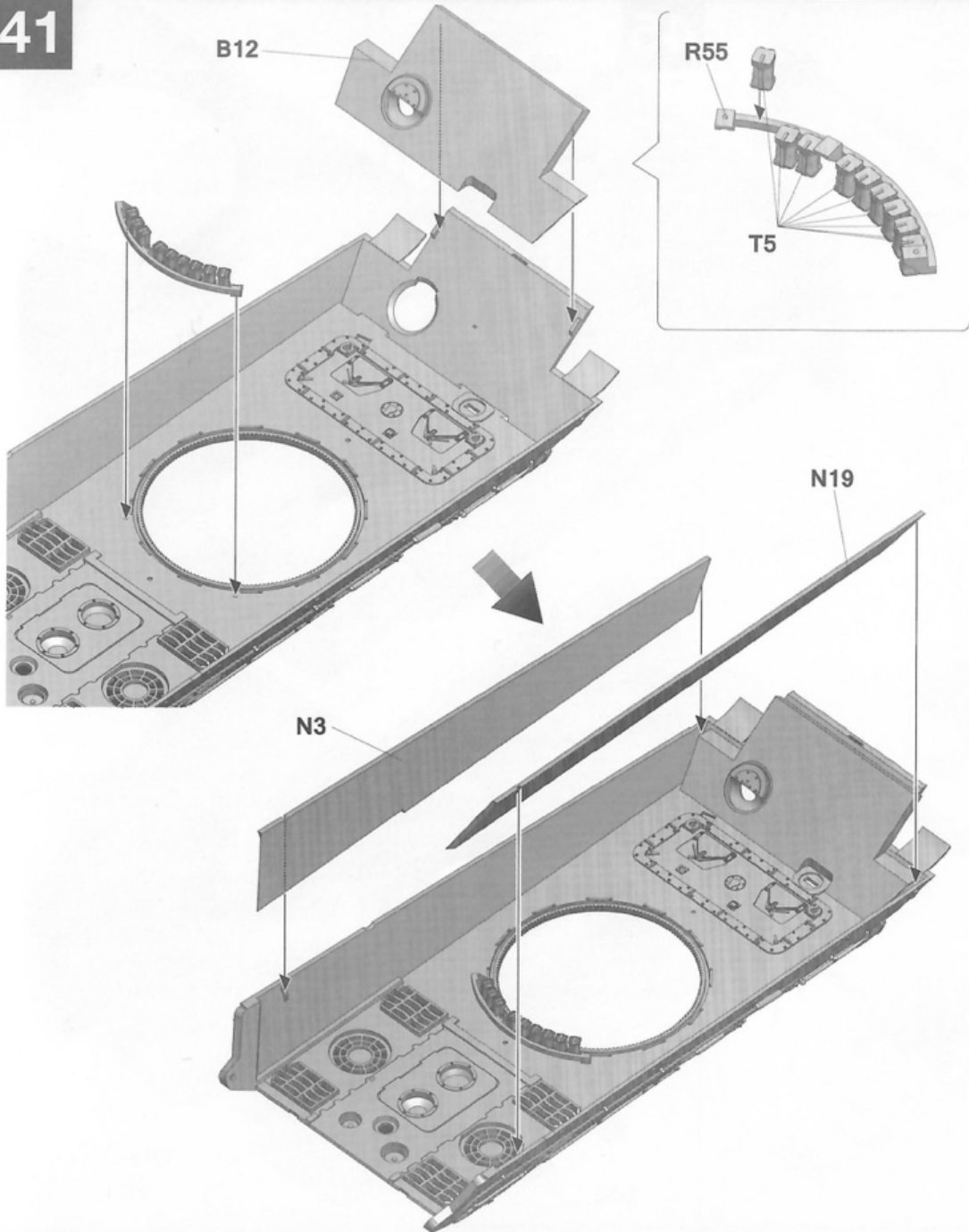


36

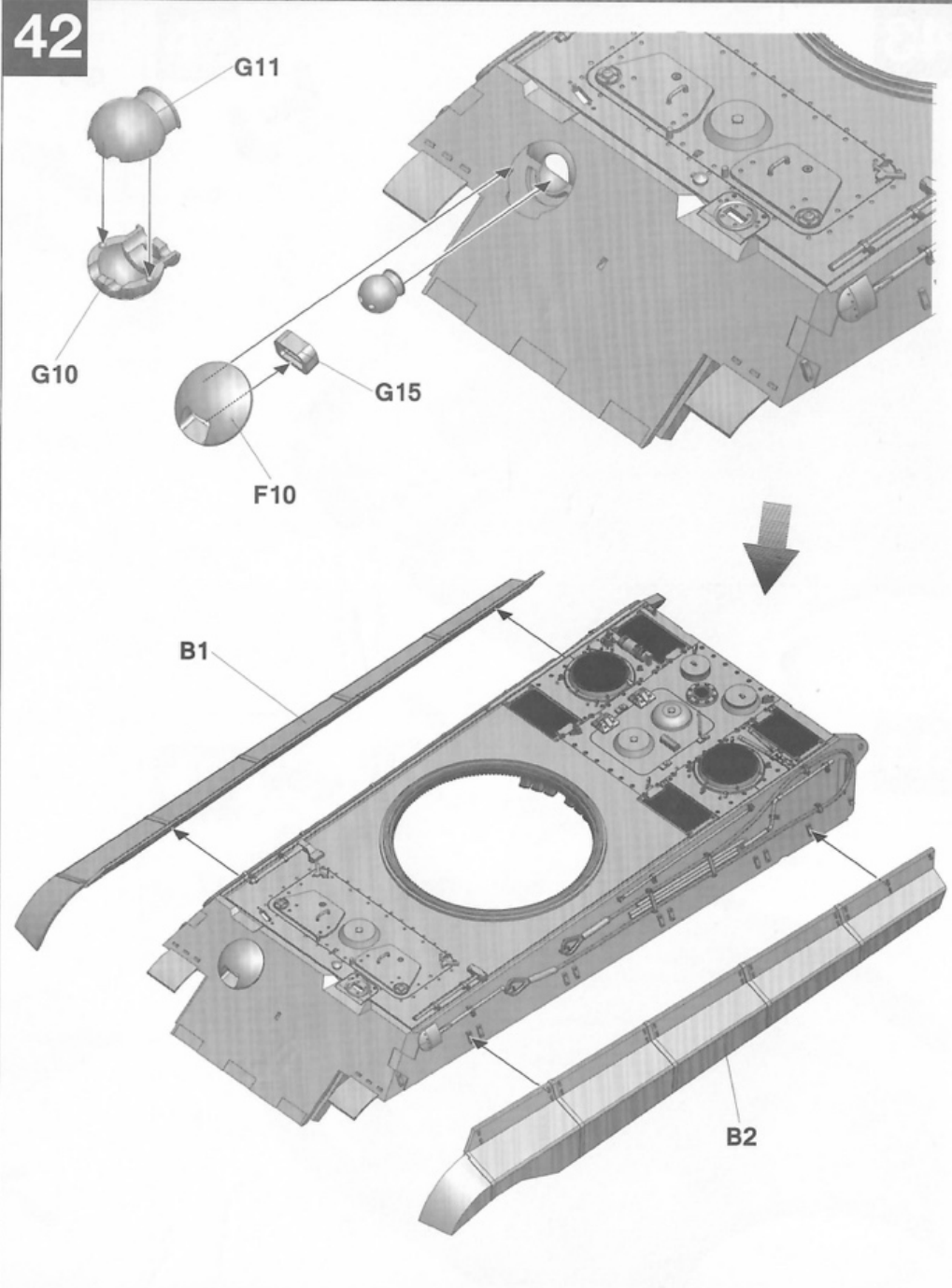


38**39****40**

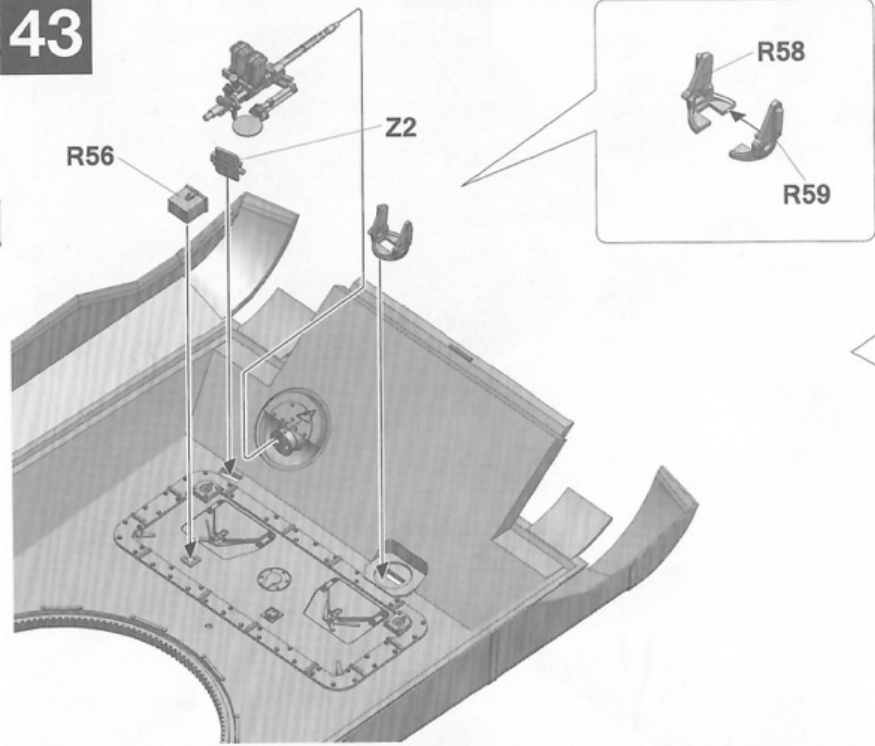
41



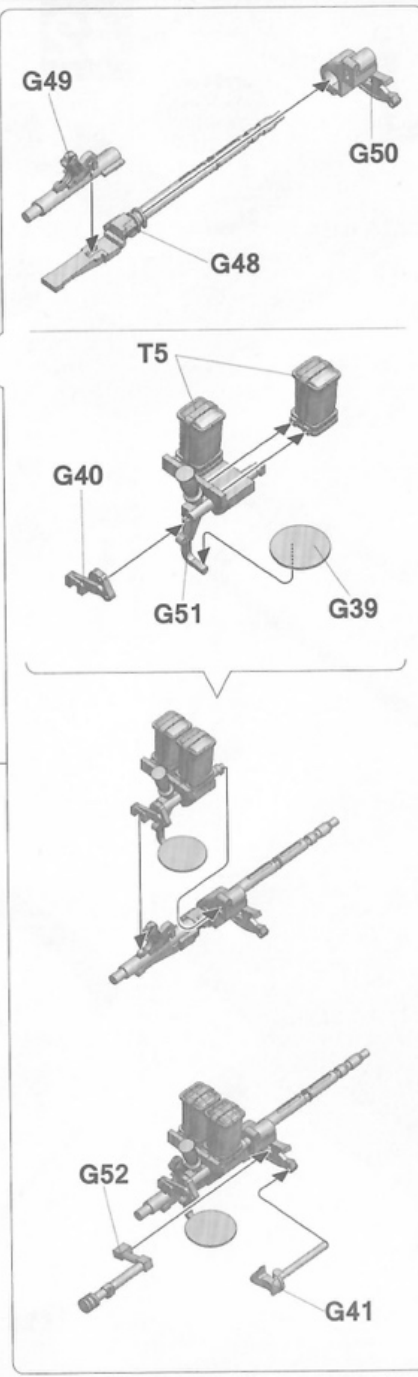
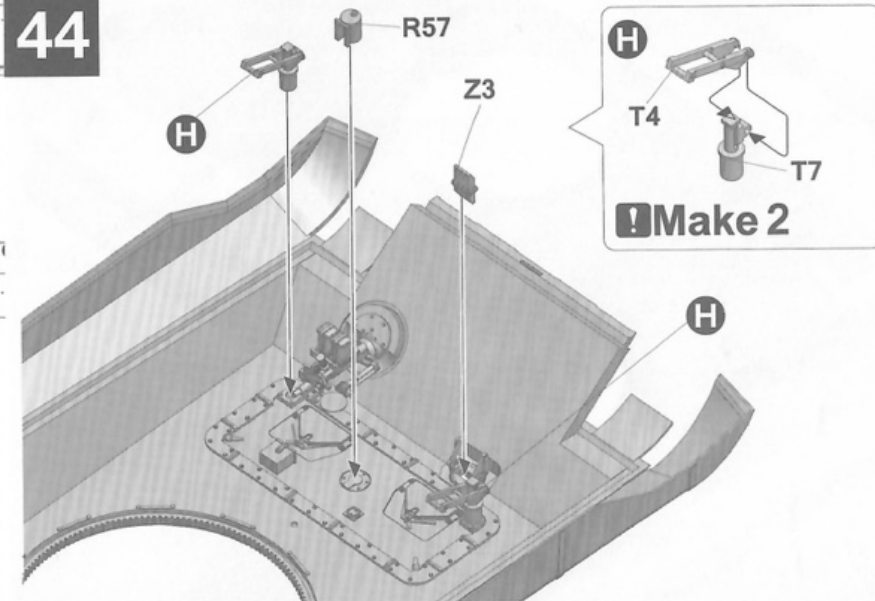
42



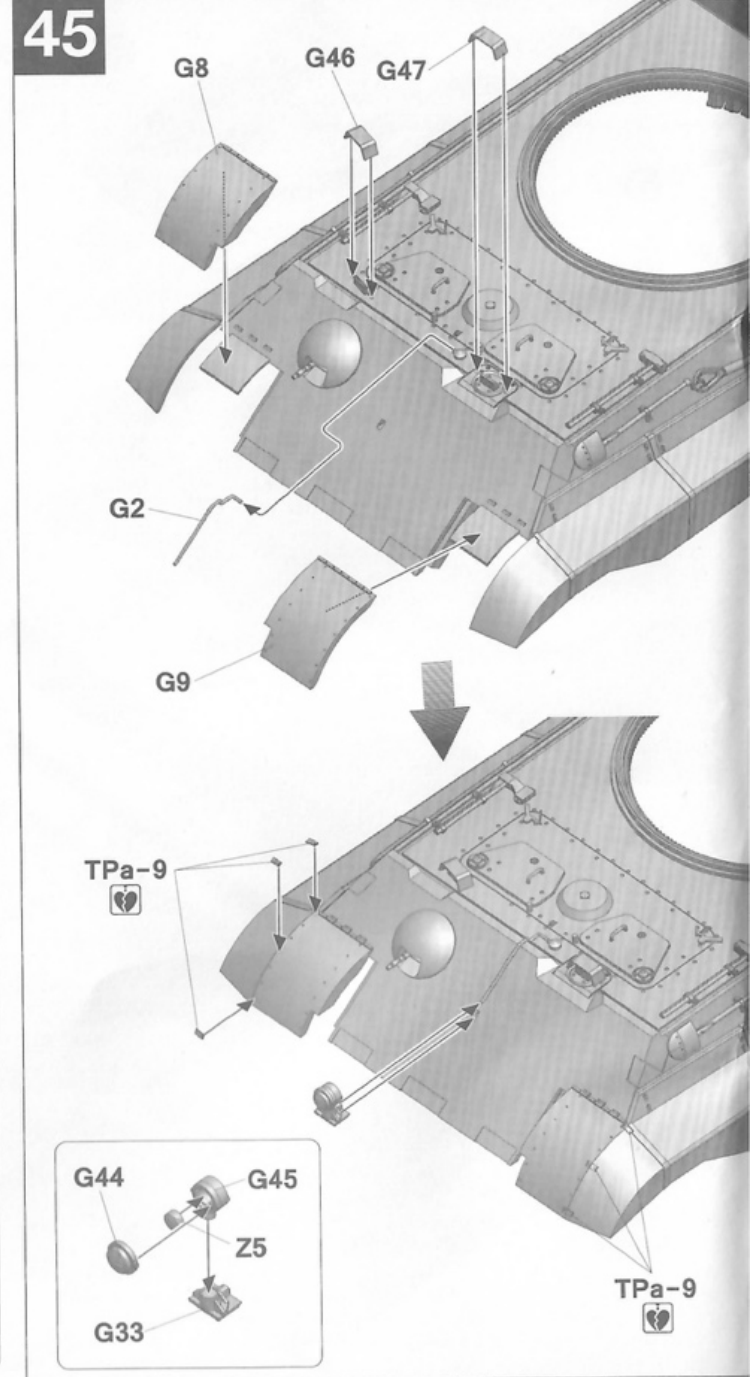
43



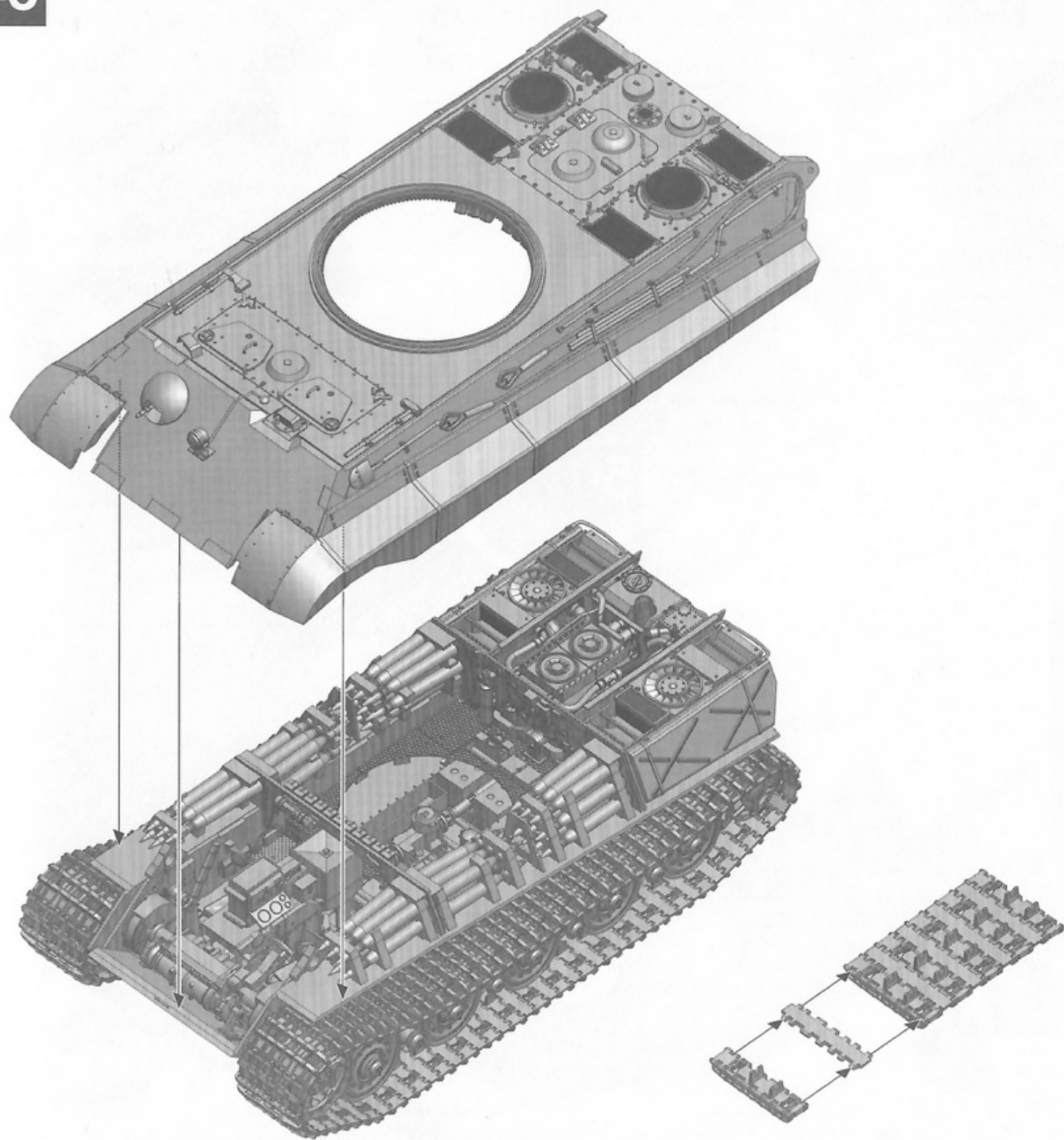
44



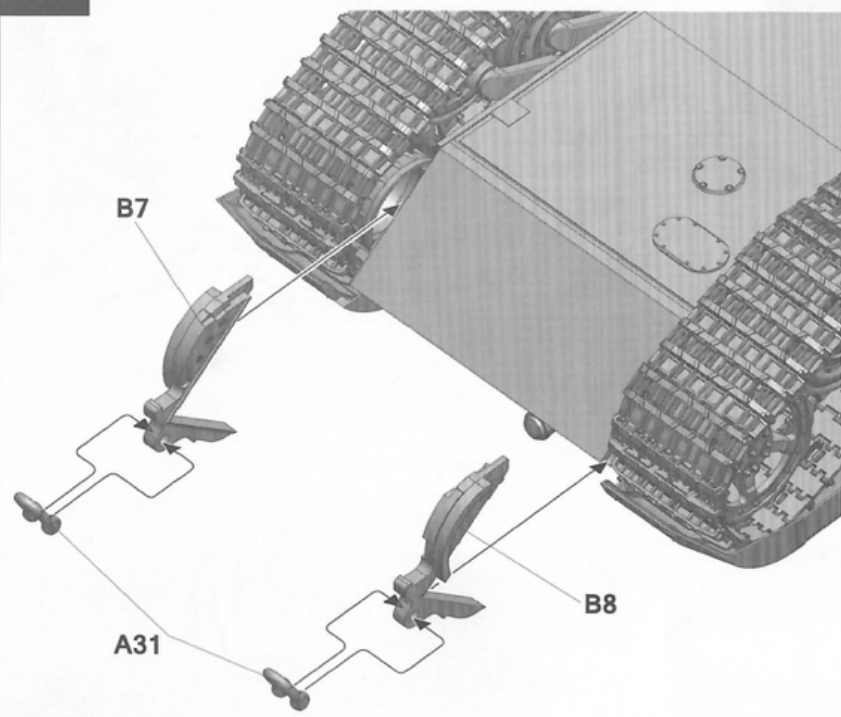
45



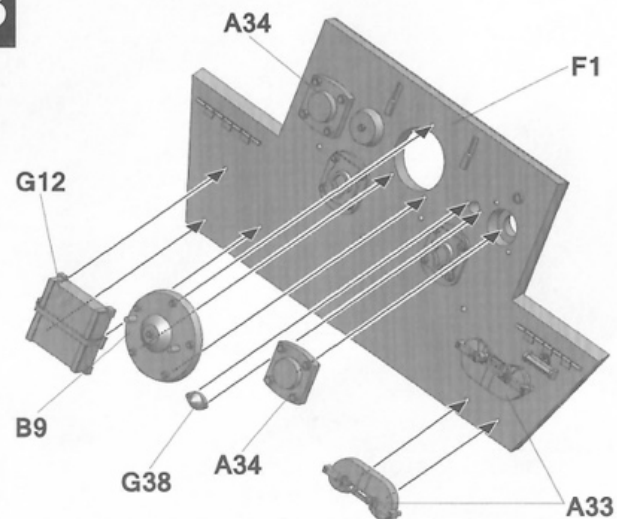
46

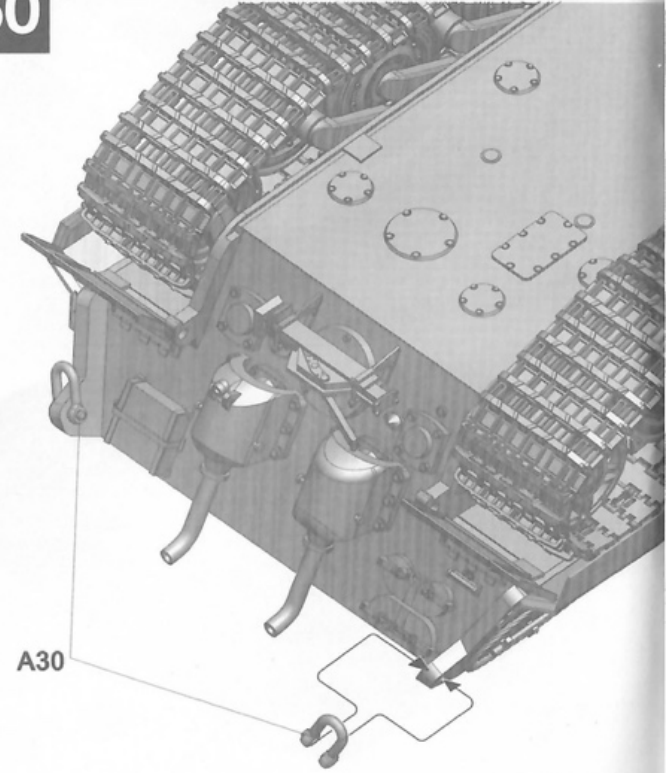
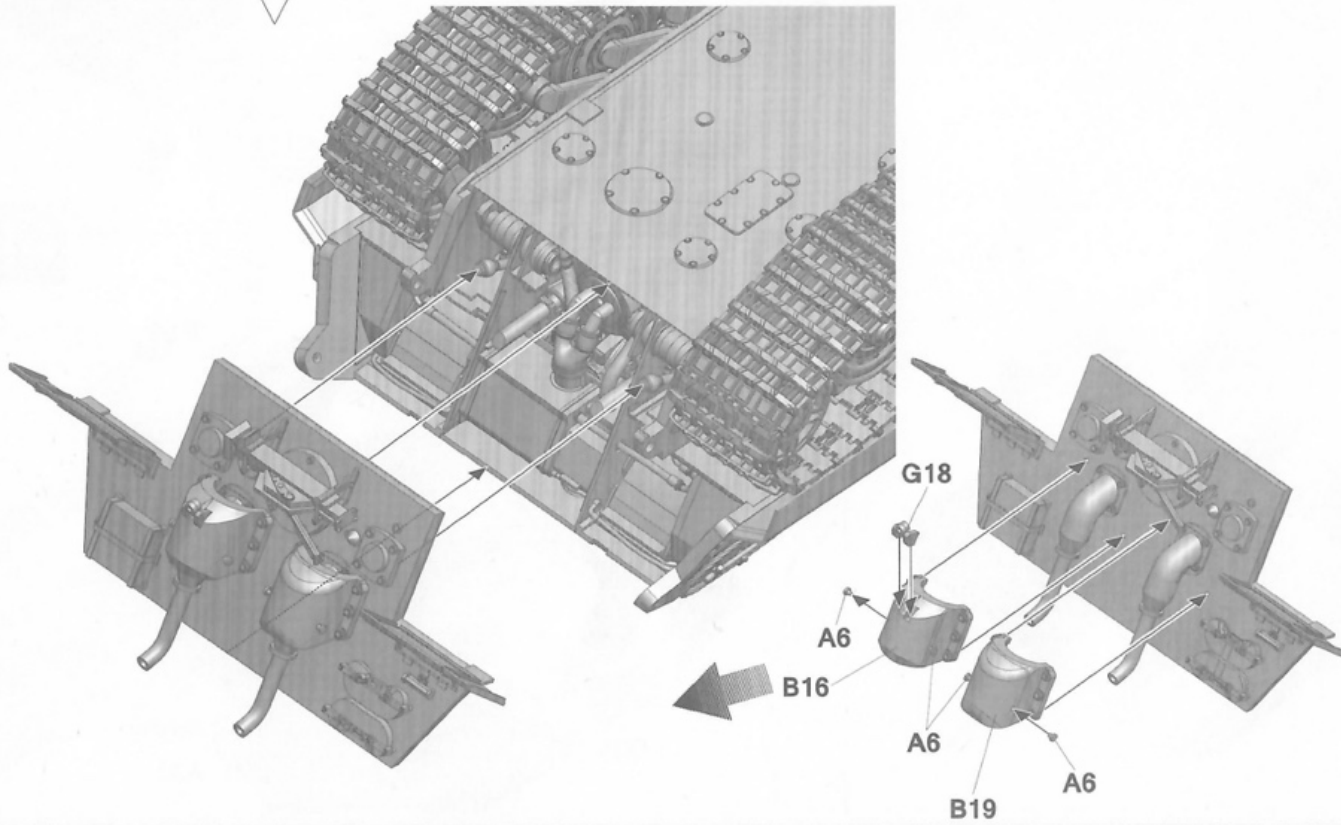
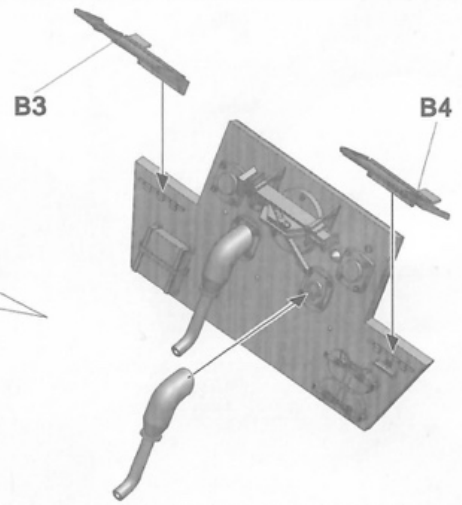
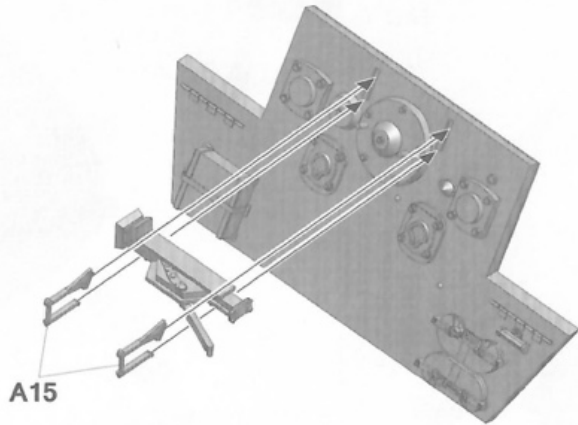
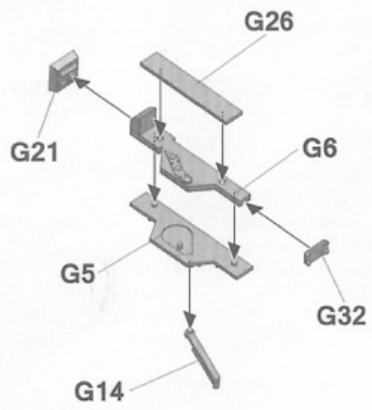


47

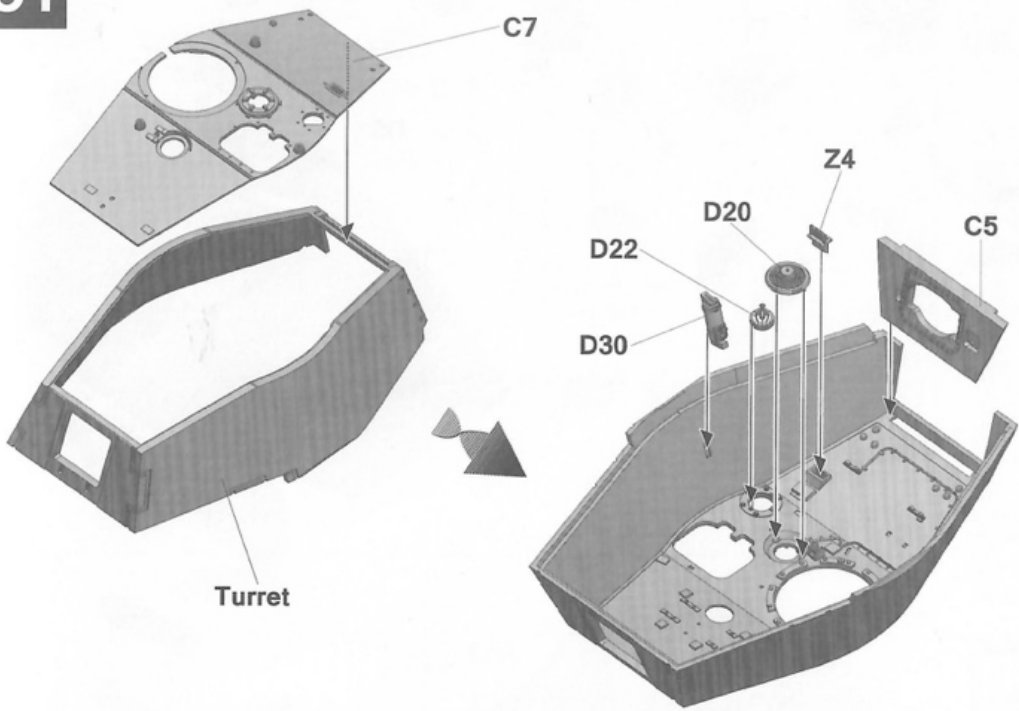


48

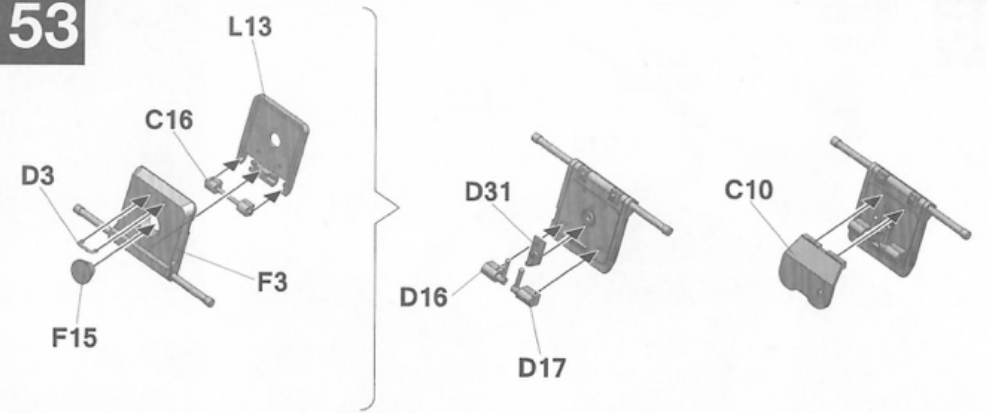




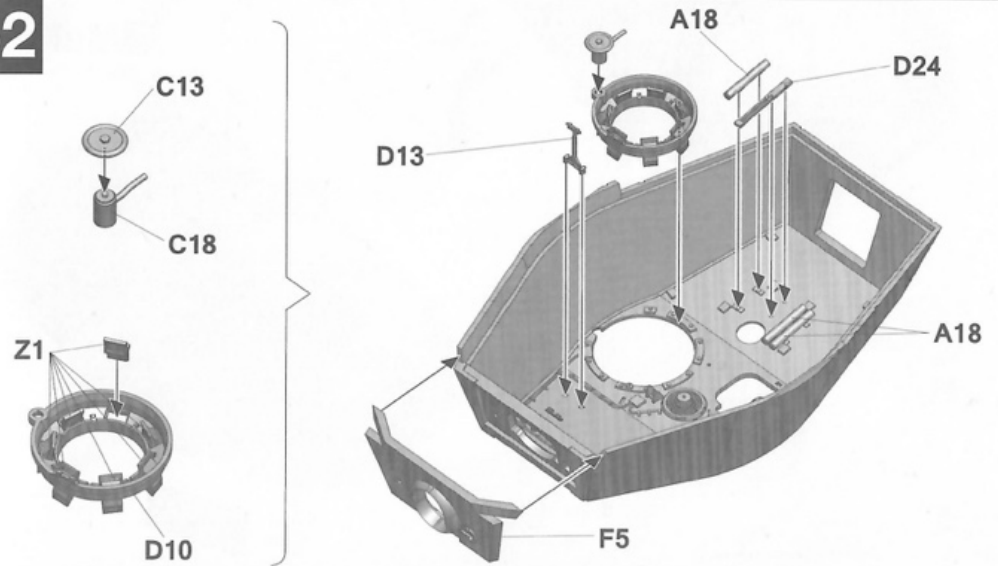
51



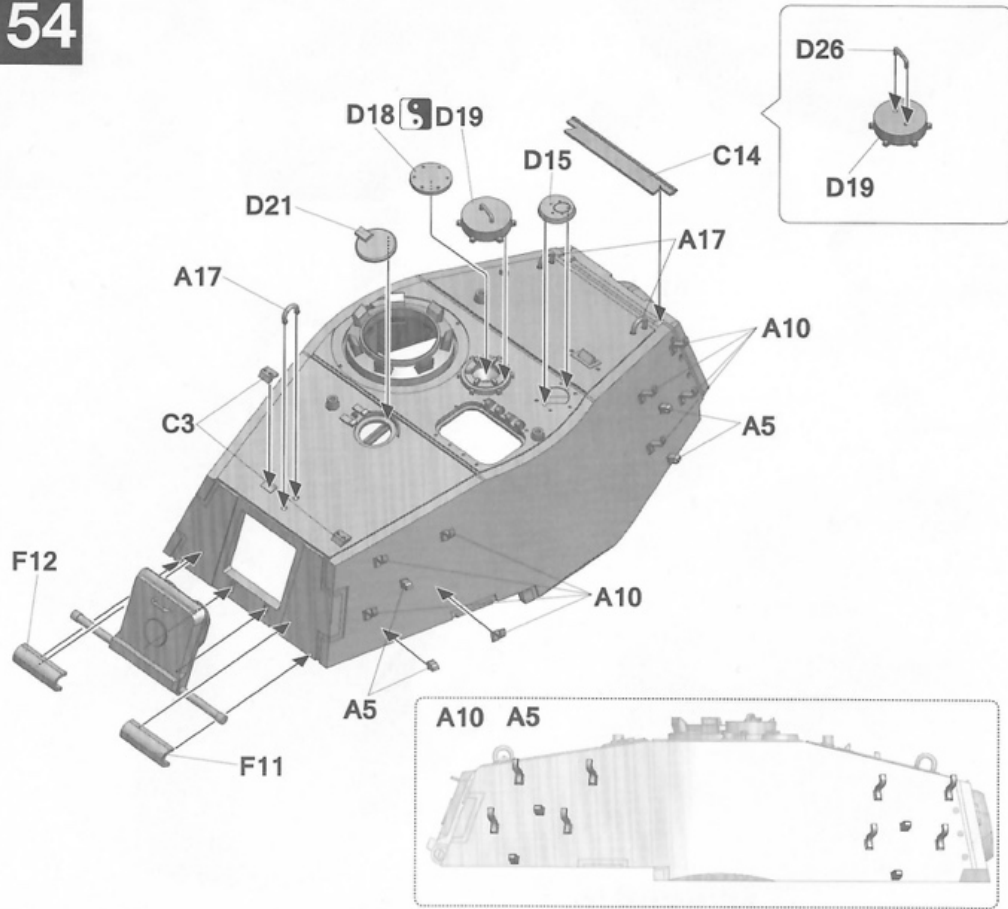
53



52

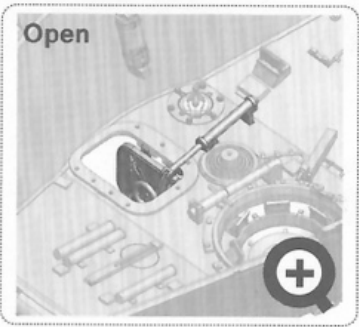
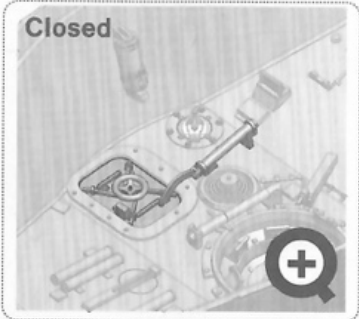
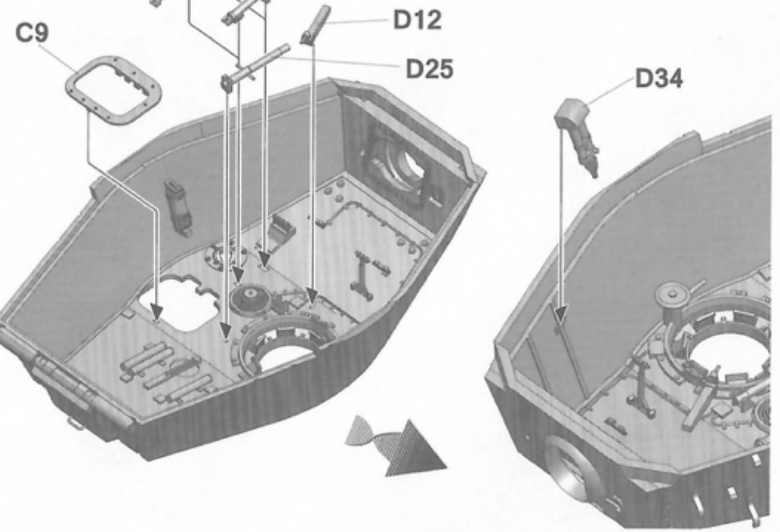


54

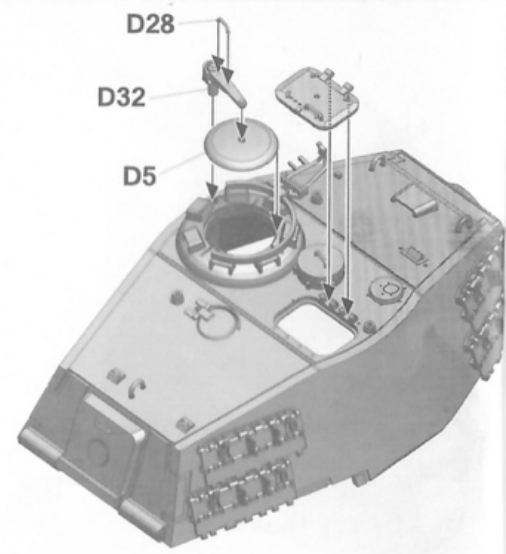
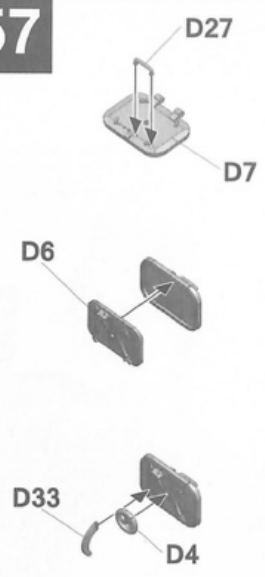


55

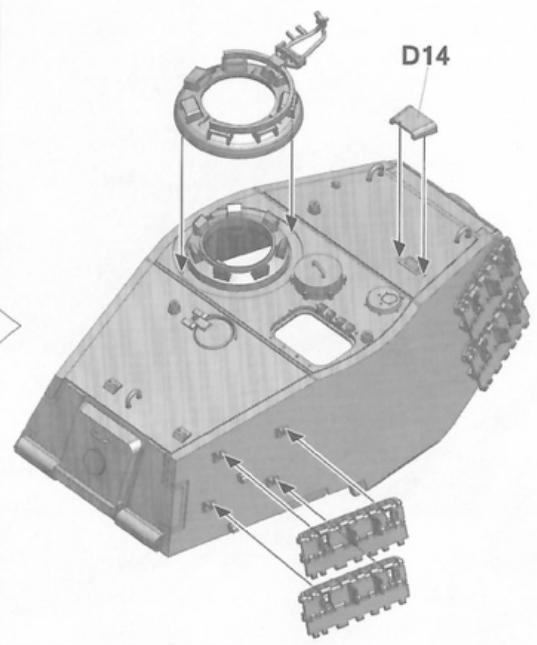
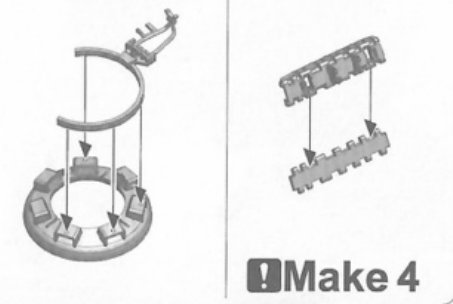
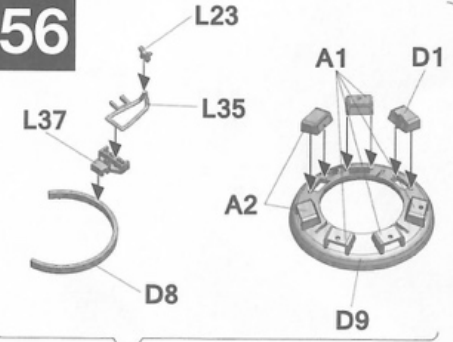
D23 Open
C17 Closed



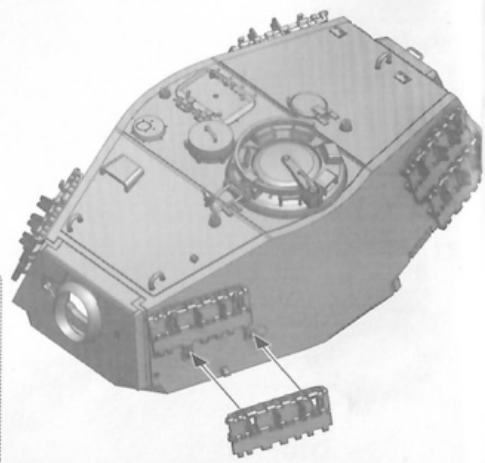
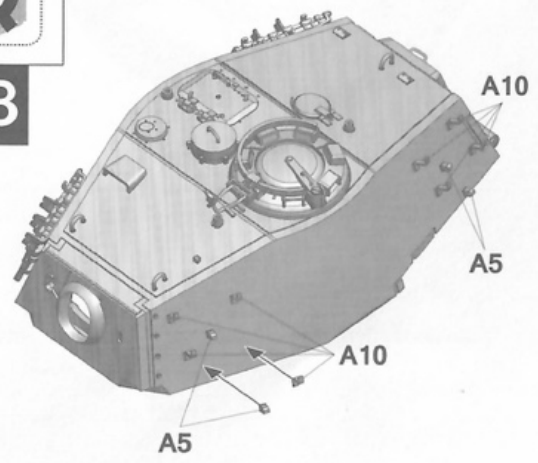
57



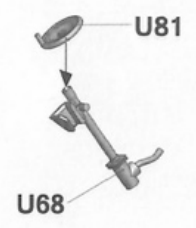
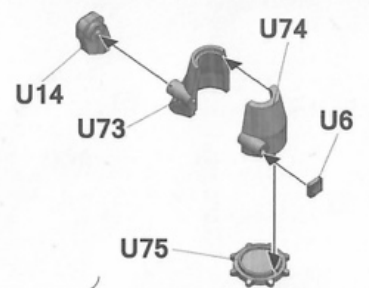
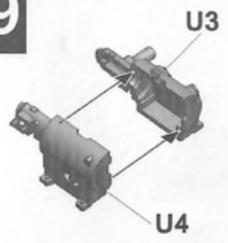
56



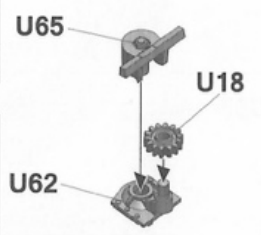
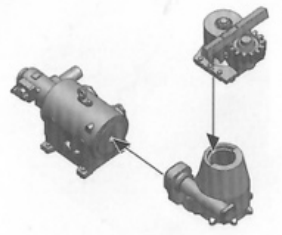
58



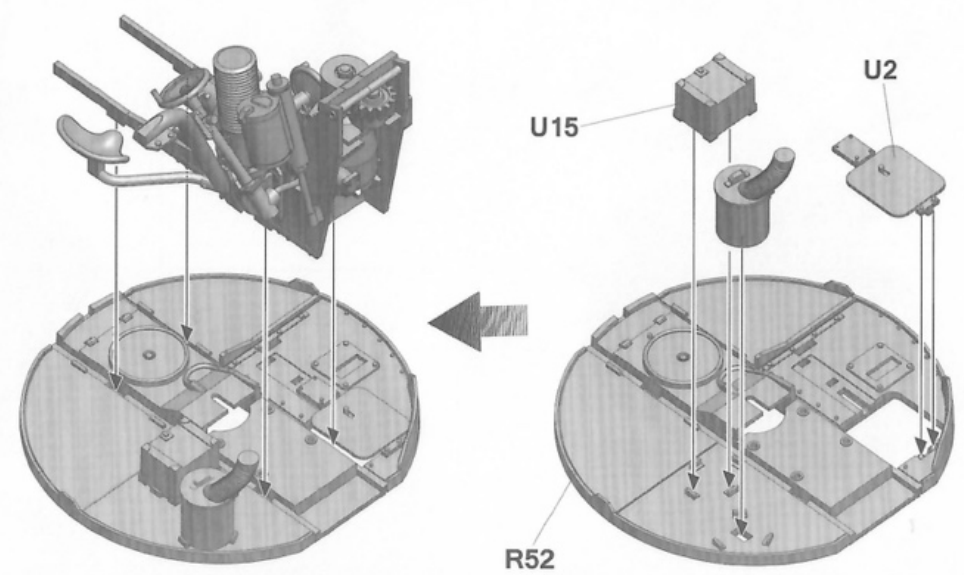
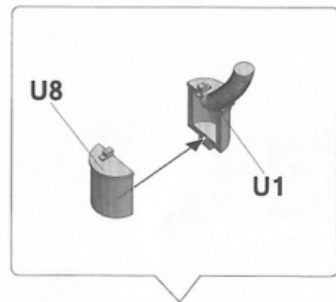
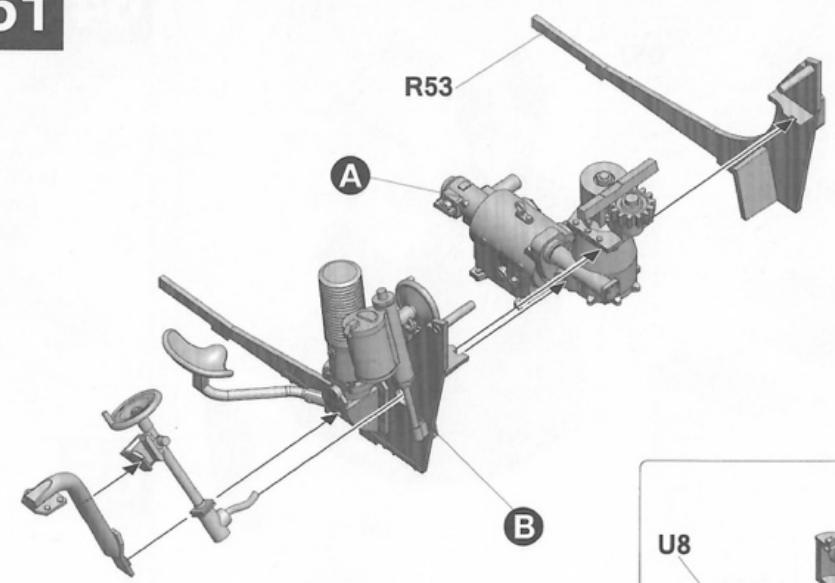
59



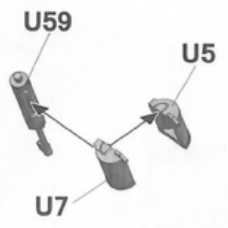
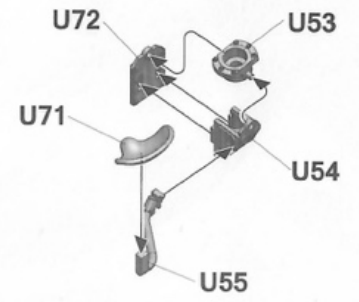
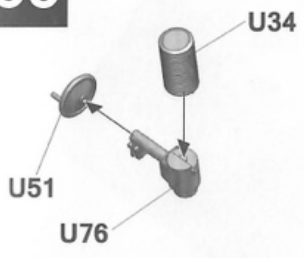
A



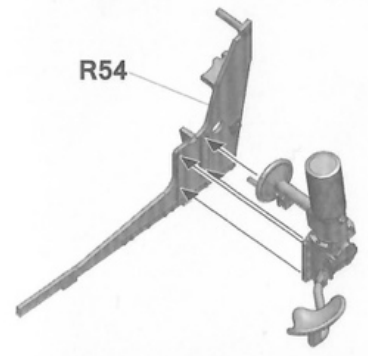
61



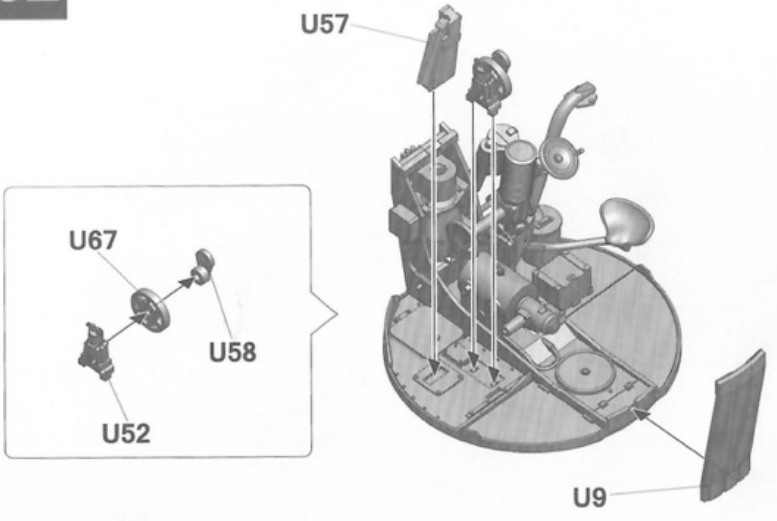
60



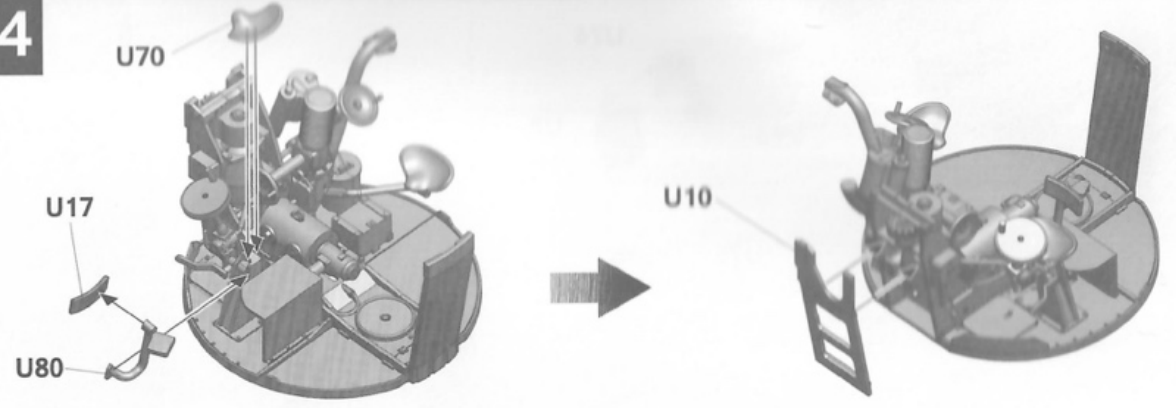
B



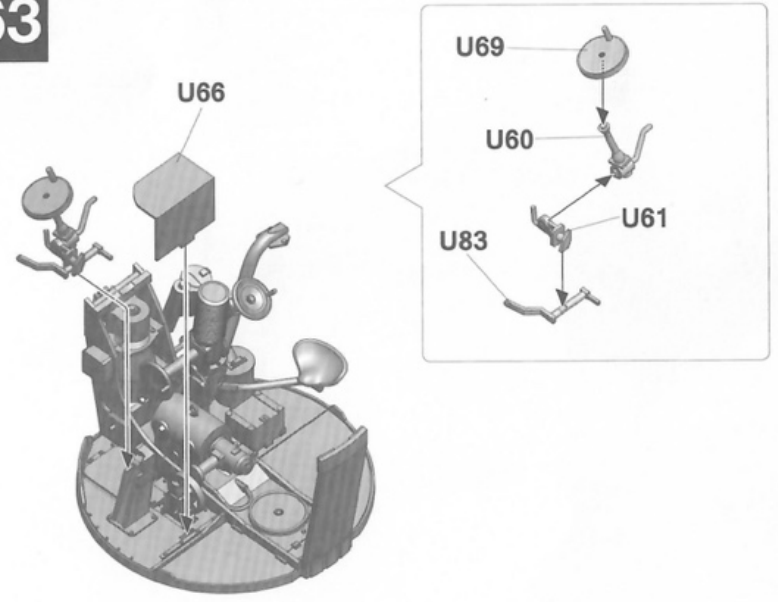
62



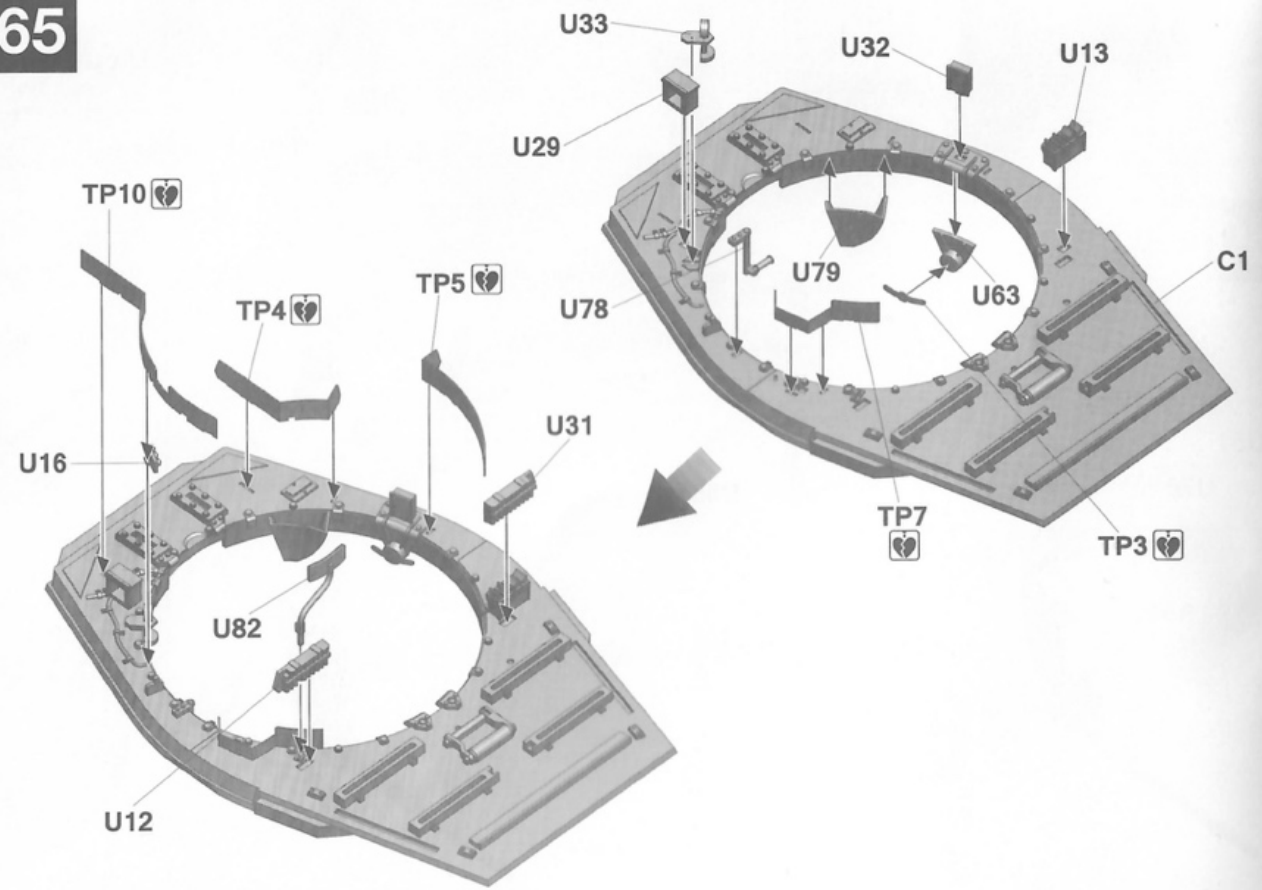
64

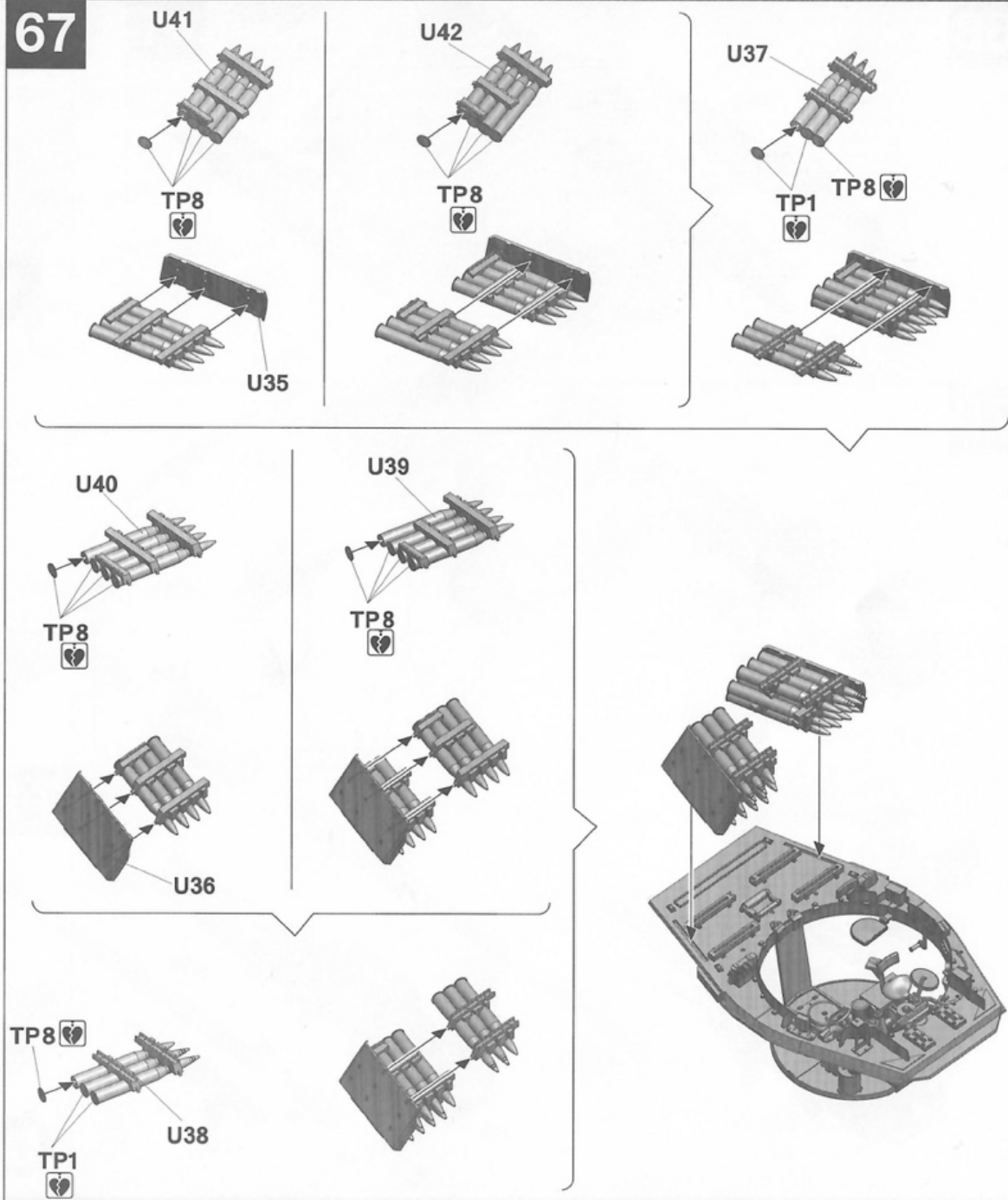
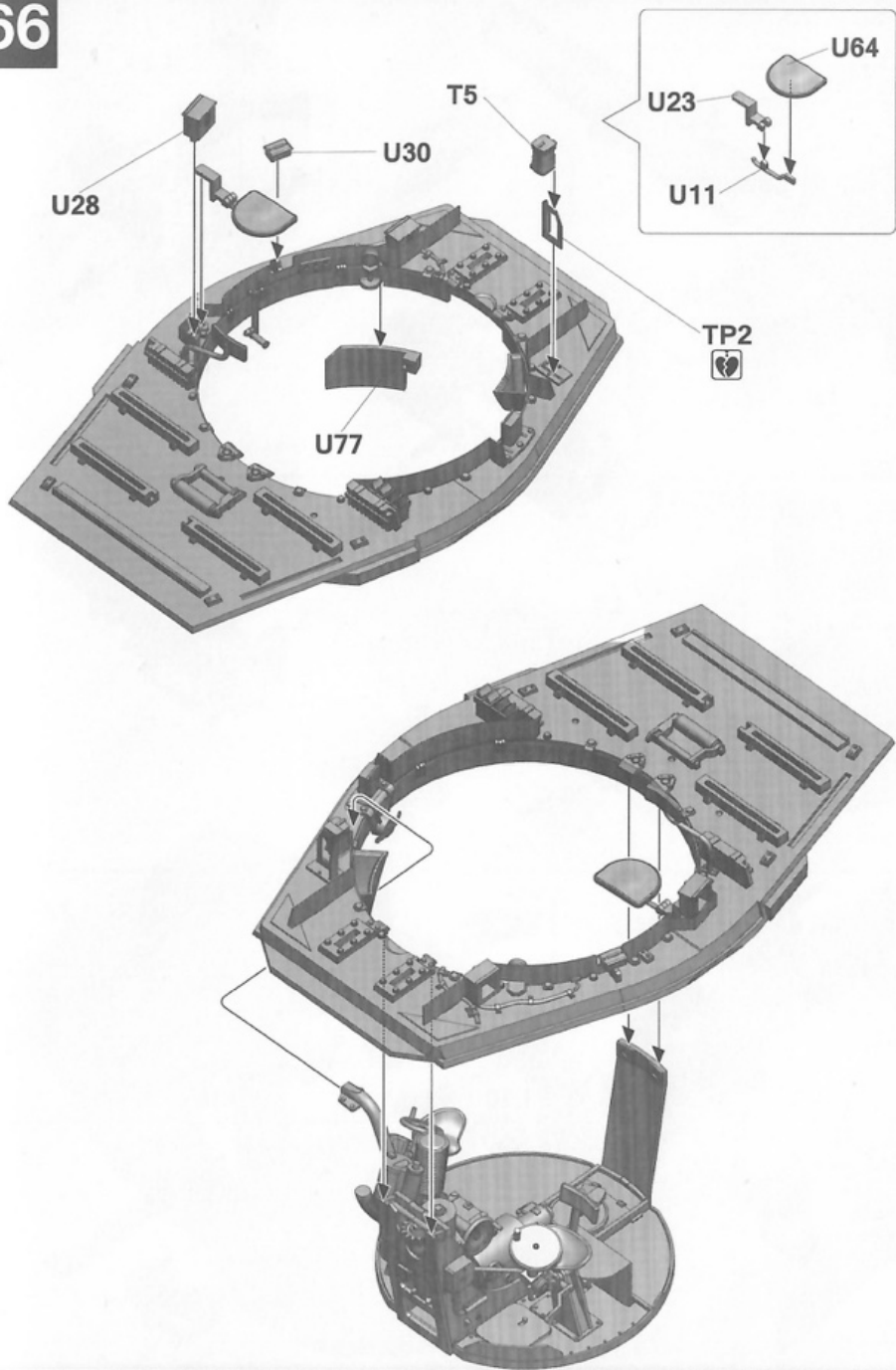


63

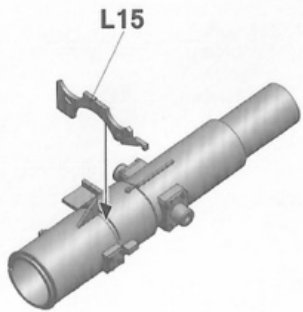
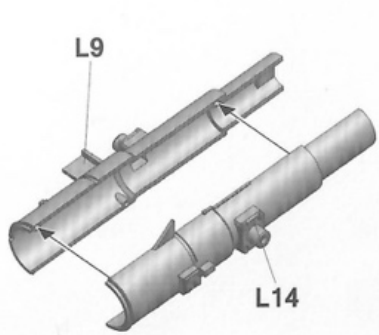


65

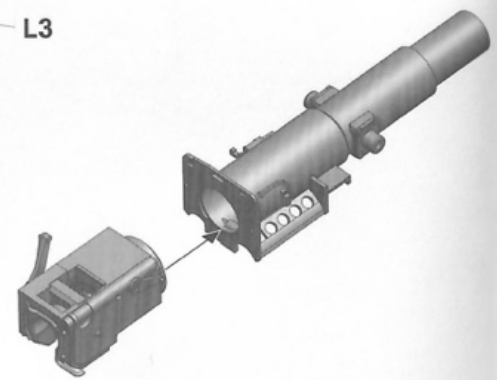
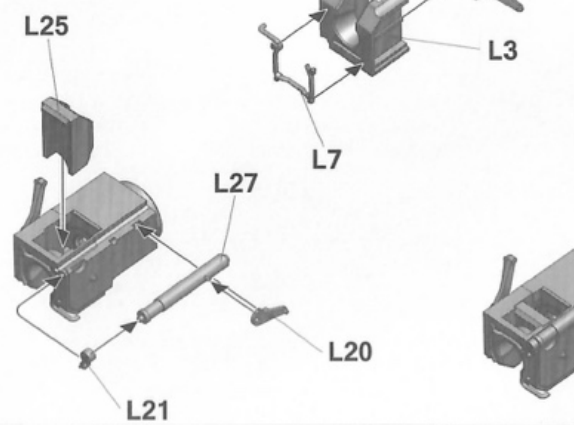
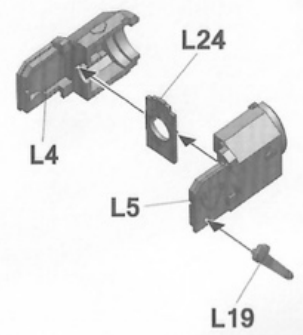
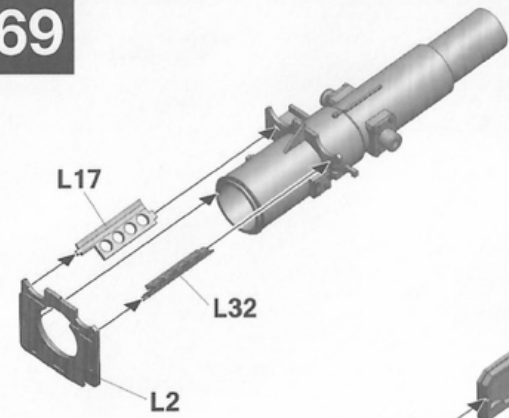




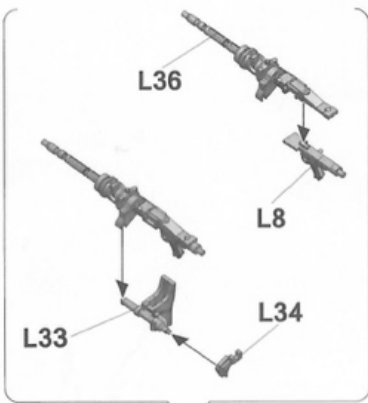
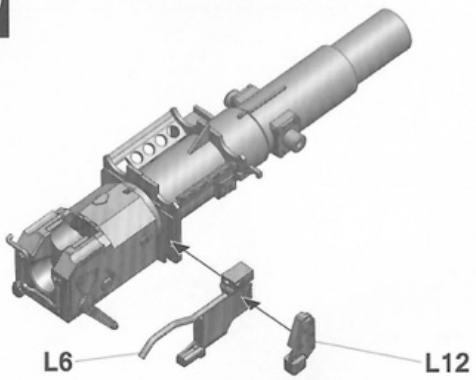
68



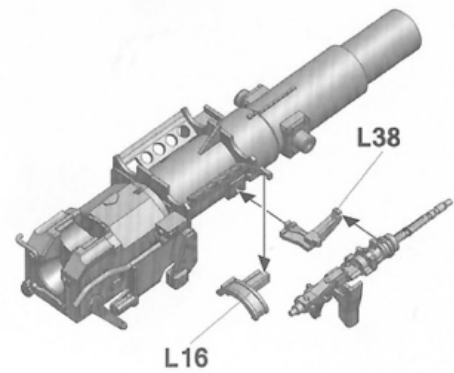
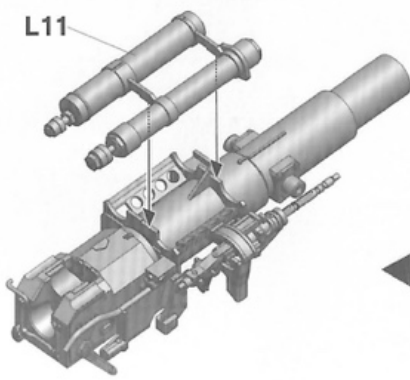
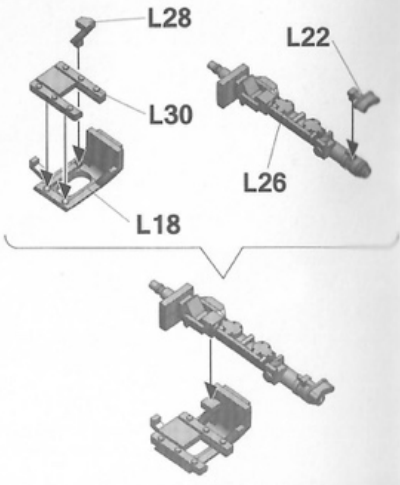
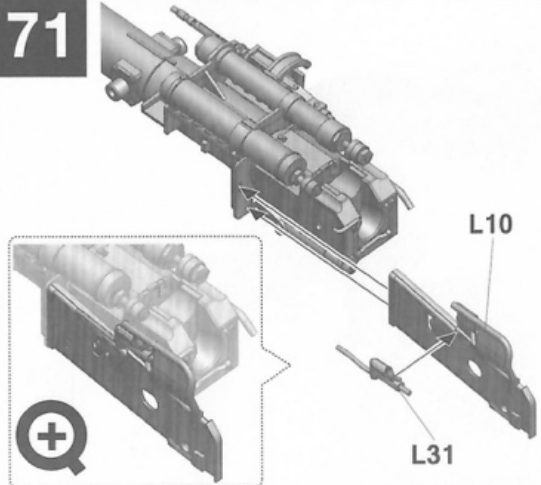
69



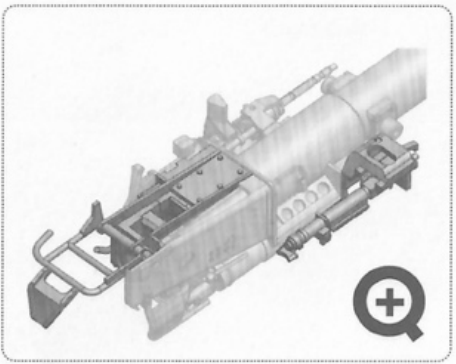
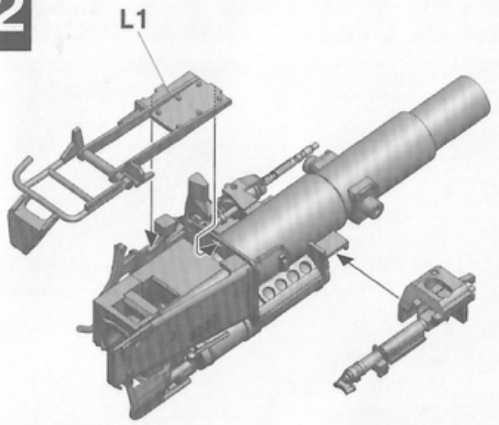
70



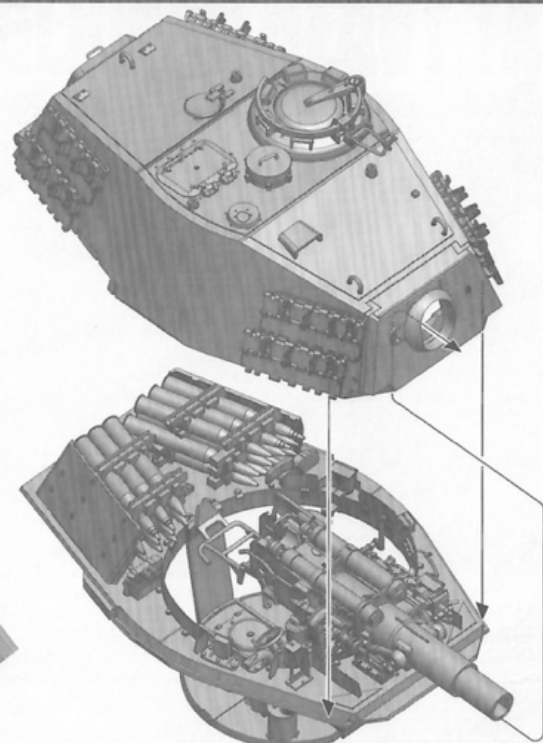
71



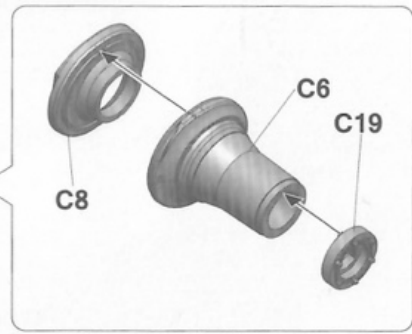
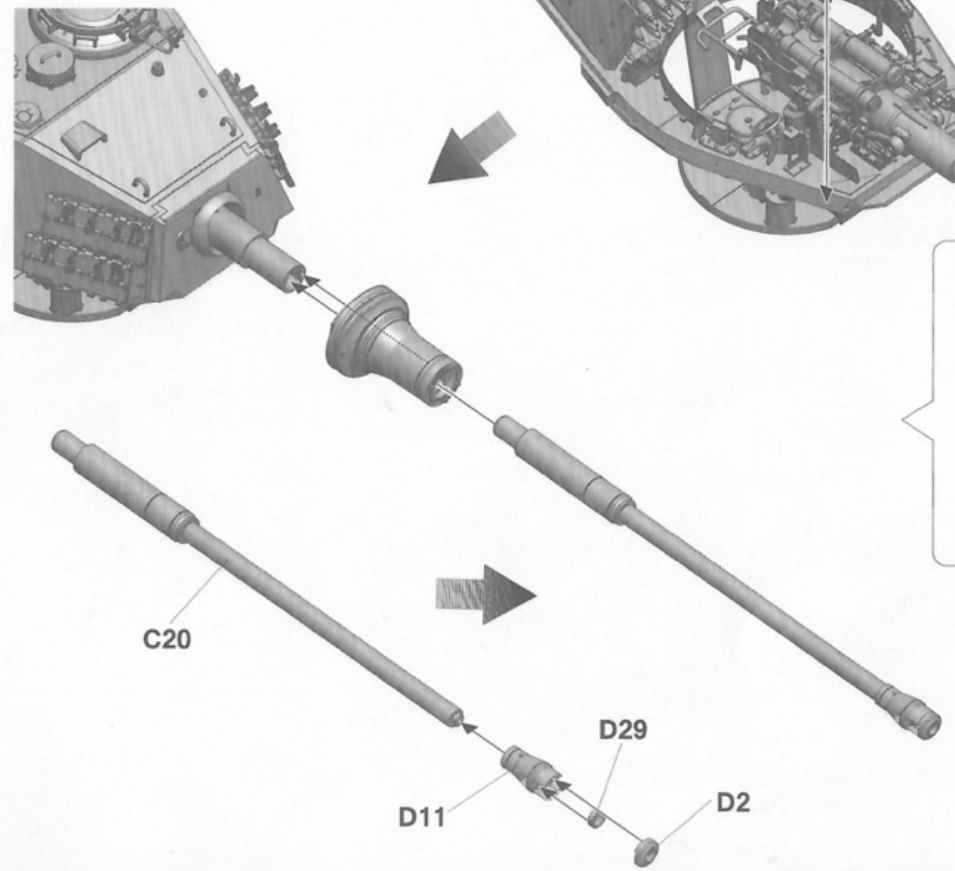
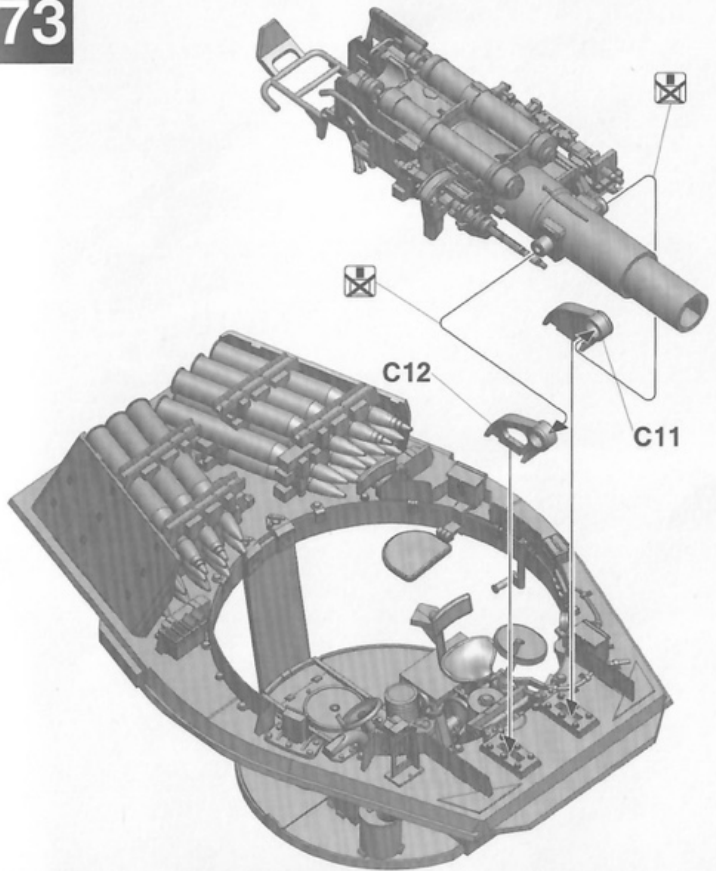
72



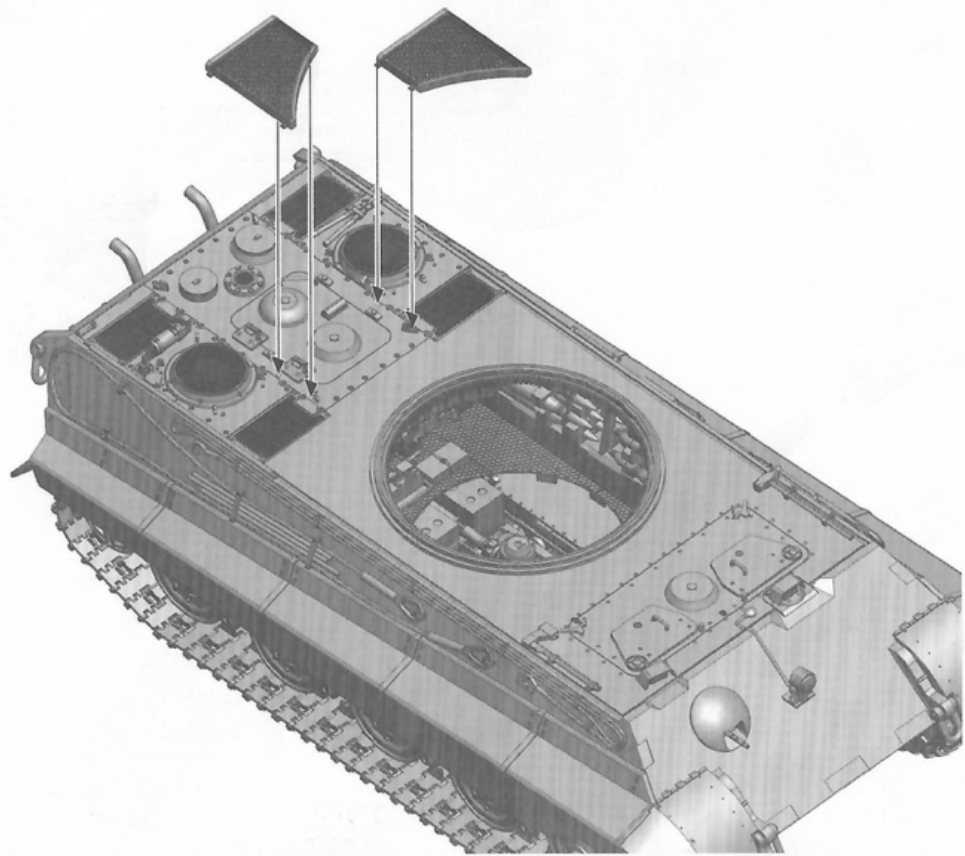
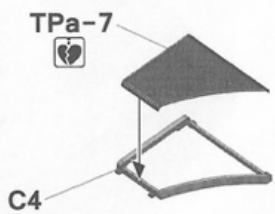
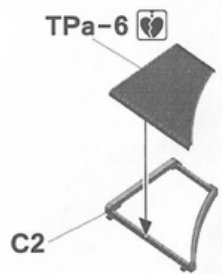
74



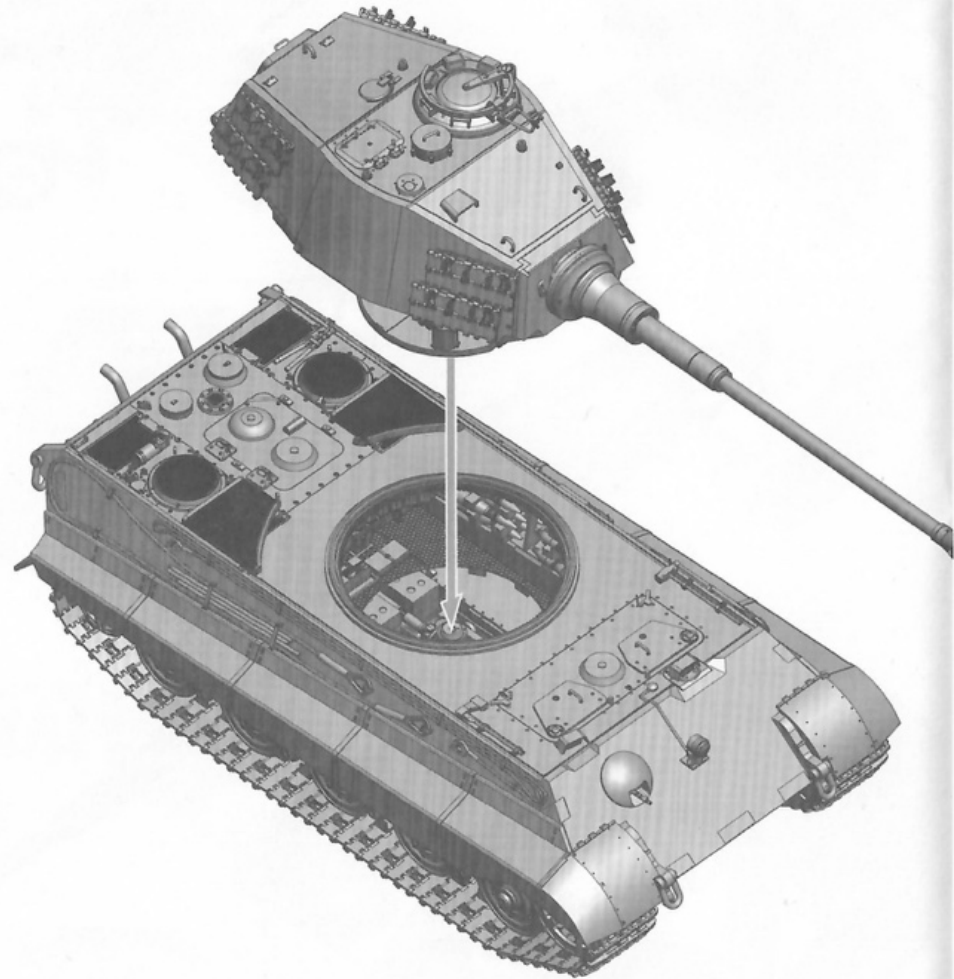
73



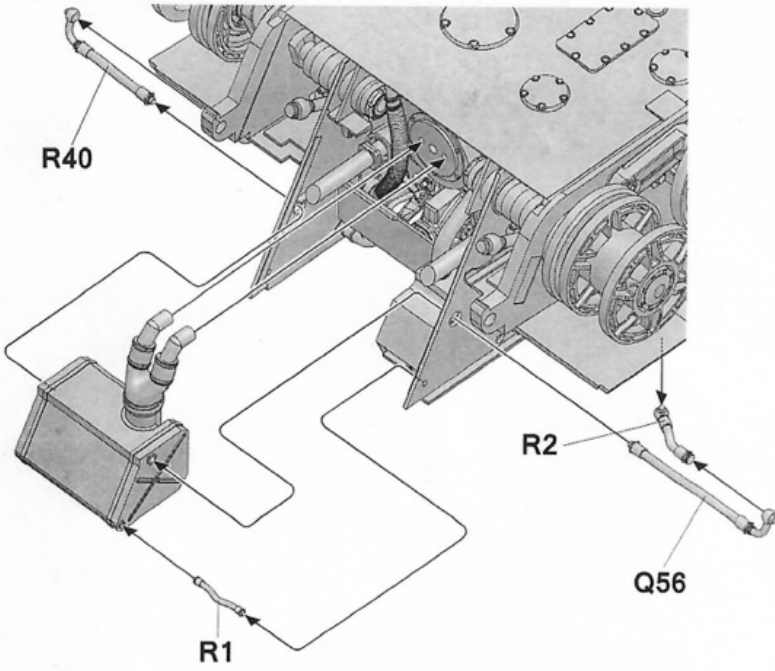
75



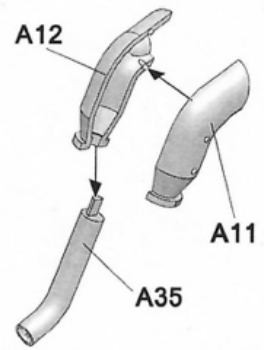
76



28 Correction #2045

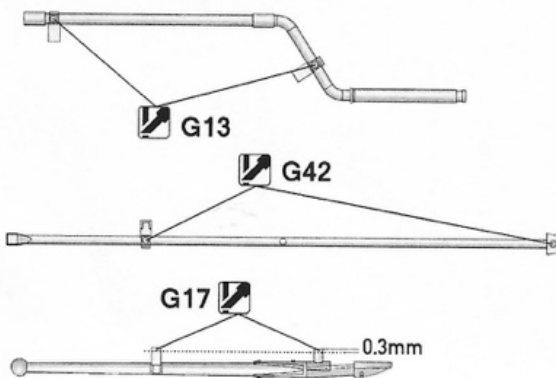
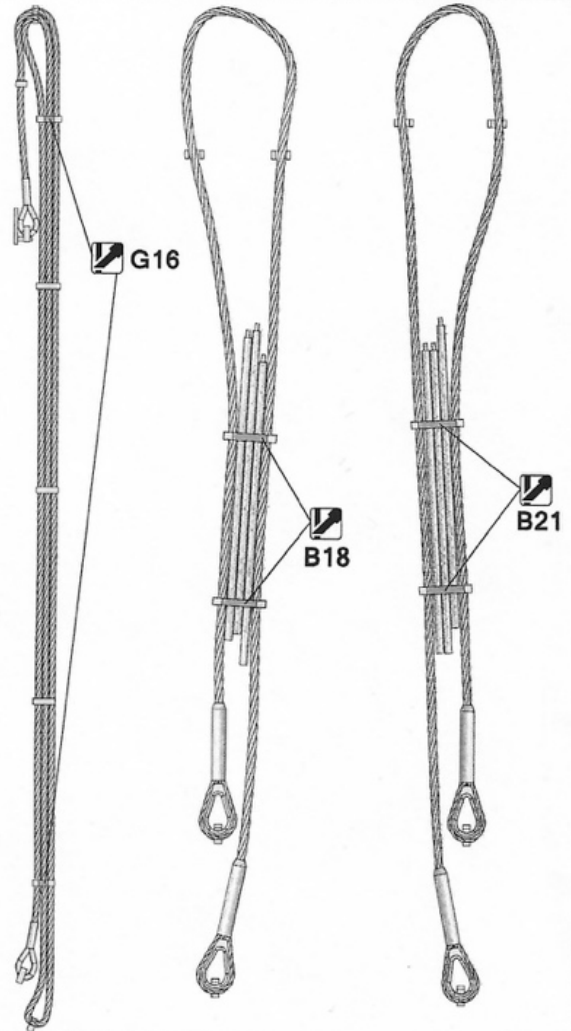
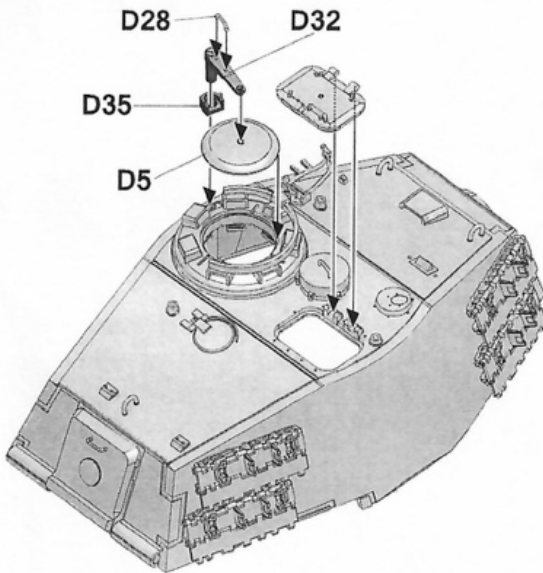


49



 Make 2

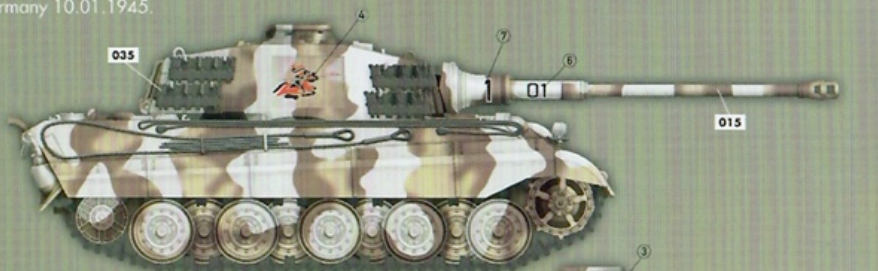
57



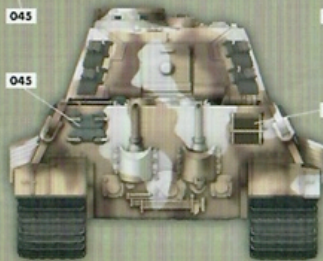
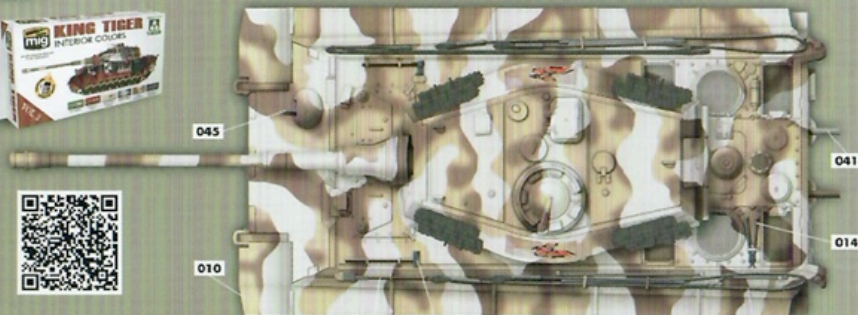
Painting and Marking Guide



Tiger Ausf.B, 1./s.H.Pz.Abt.505,
(no 101-Kompaniechef Oblt.Freiherr von
Reibnitz) the area of Königsberg,
Germany 10.01.1945.



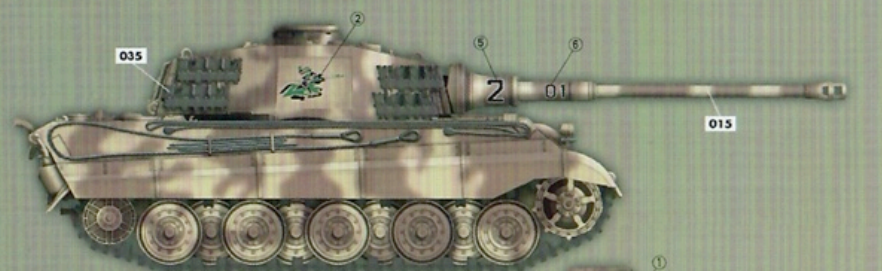
Specific colors for
Takom Kits



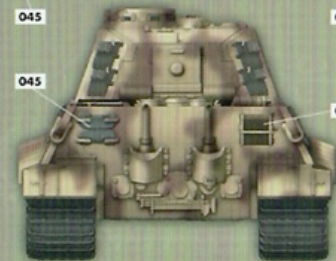
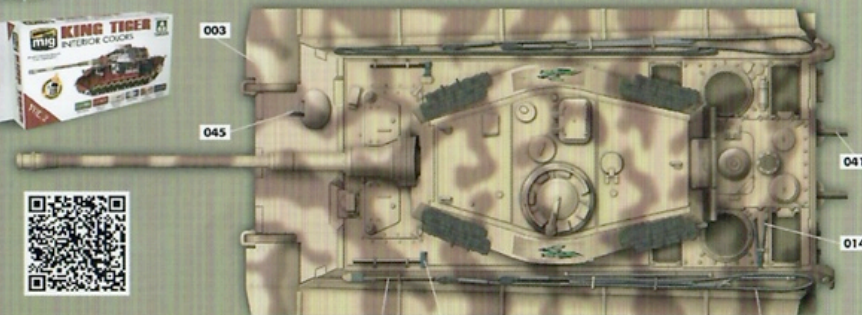
Painting and Marking Guide



Tiger Ausf.B, 2./s.H.Pz.Abt.505, (no 101)
Village of Młodzianowo, Poland, 08.09.1944.



Specific colors for
Takom Kits



Painting and Marking Guide

A.MIG 014 Rotbraun	A.MIG 035 Dark Tracks	A.MIG 036 Old Wood	A.MIG 037 New Wood
A.MIG 041 Dark Rust	A.MIG 045 Gun Metal	A.MIG 002 Olivgrün Opt. 2	A.MIG 010 Dunkelgelb
A.MIG 015 Schokobraun			

Tiger Ausf. B, 3./s.H.Pz. Abt. 503
(no 301, Fw.Neeb), Mailly Le Camp,
France 07.1944.



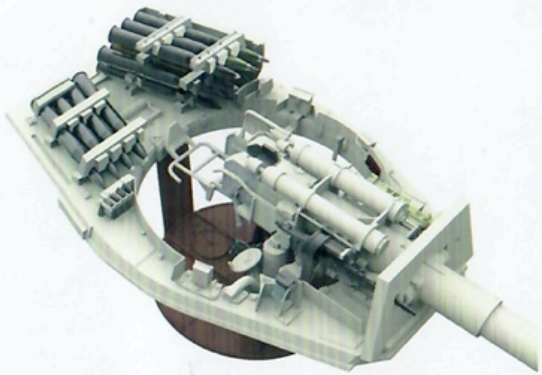
Painting and Marking Guide

A.MIG 014 Rotbraun	A.MIG 035 Dark Tracks	A.MIG 036 Old Wood	A.MIG 037 New Wood
A.MIG 041 Dark Rust	A.MIG 045 Gun Metal	A.MIG 002 Olivgrün Opt. 2	A.MIG 010 Dunkelgelb
A.MIG 015 Schokobraun			

Tiger II Henschel sPz Abt 503,
Budapest 1944.

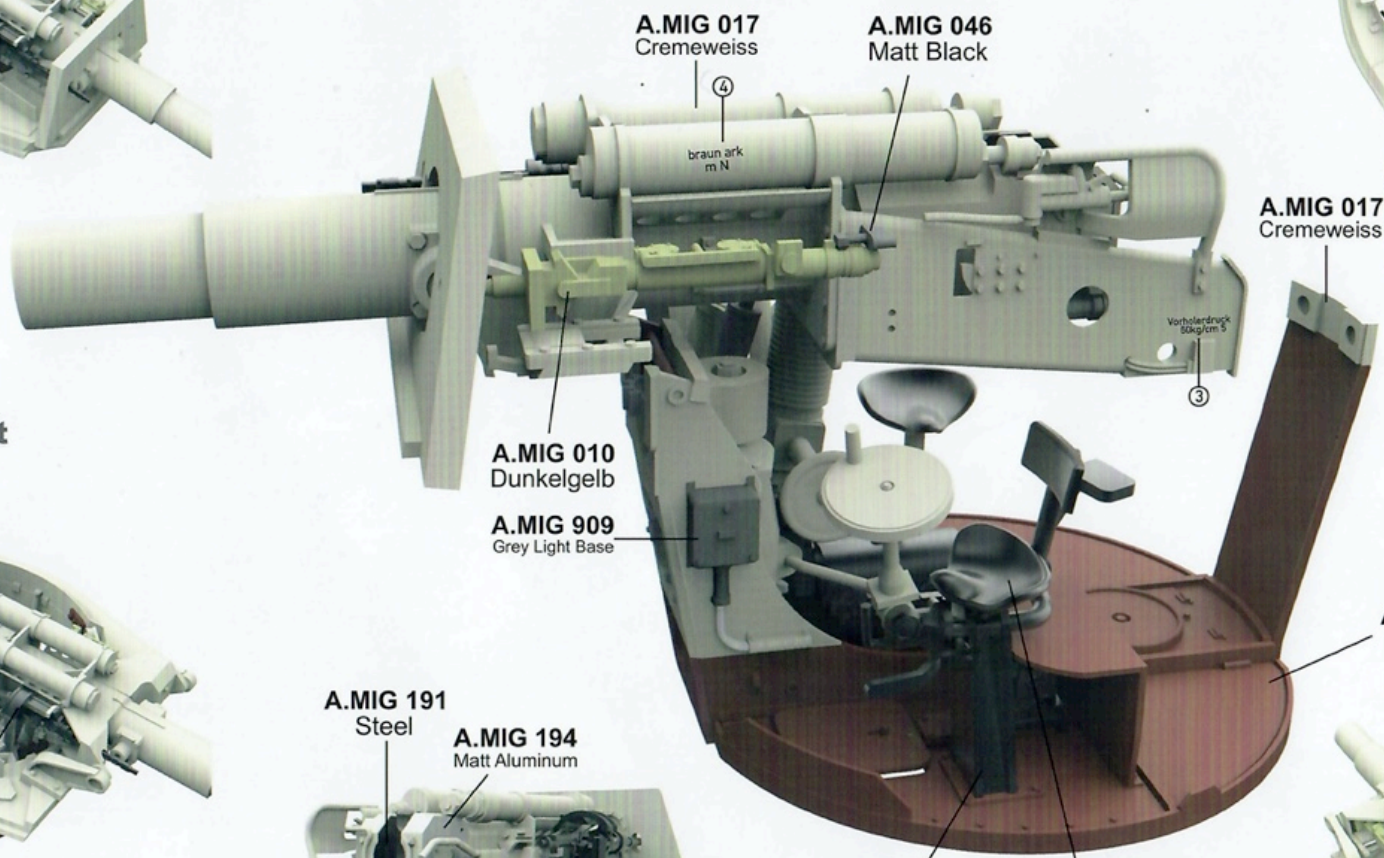


Henschel Turret

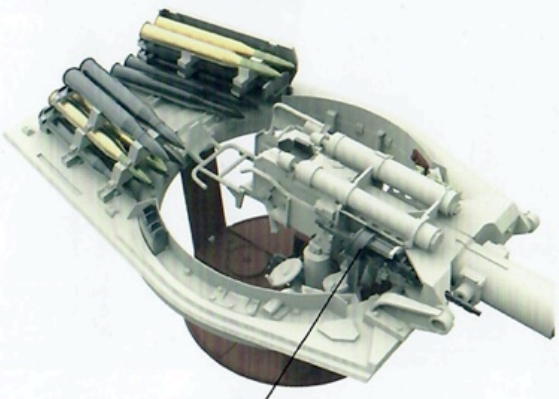


King Tiger

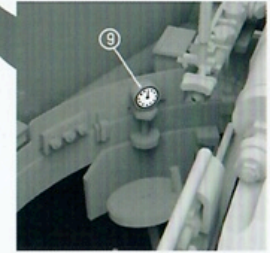
..... Interior painting instruction



Porsche Turret

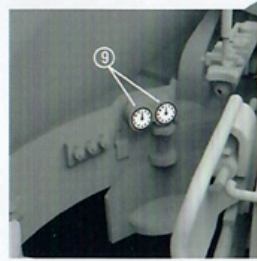
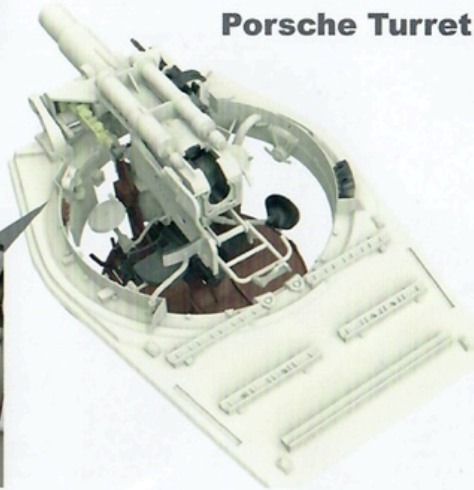


Henschel Turret



A.MIG 014 Rotbraun

Porsche Turret



A.MIG 010 Dunkelgelb

A.MIG 909 Grey Light Base

A.MIG 191 Steel

A.MIG 194 Matt Aluminum

A.MIG 032 Satin Black

A.MIG 046 Matt Black

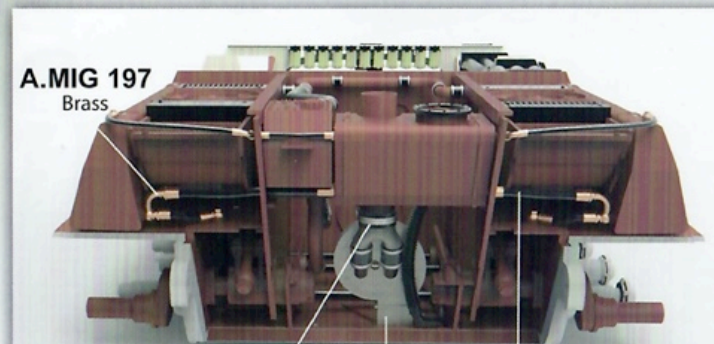
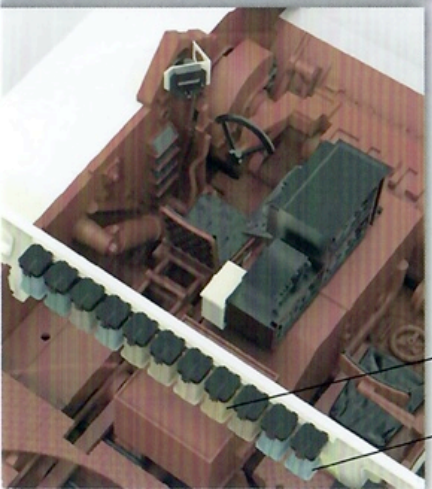
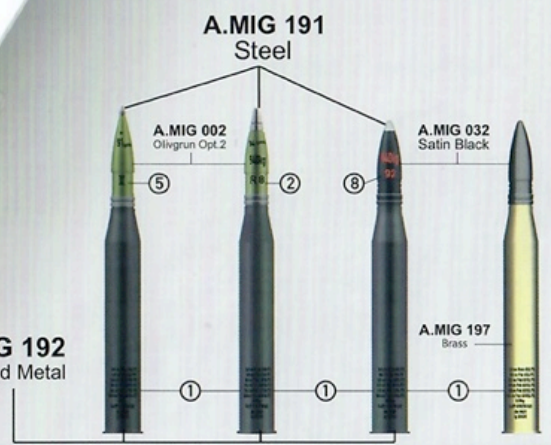
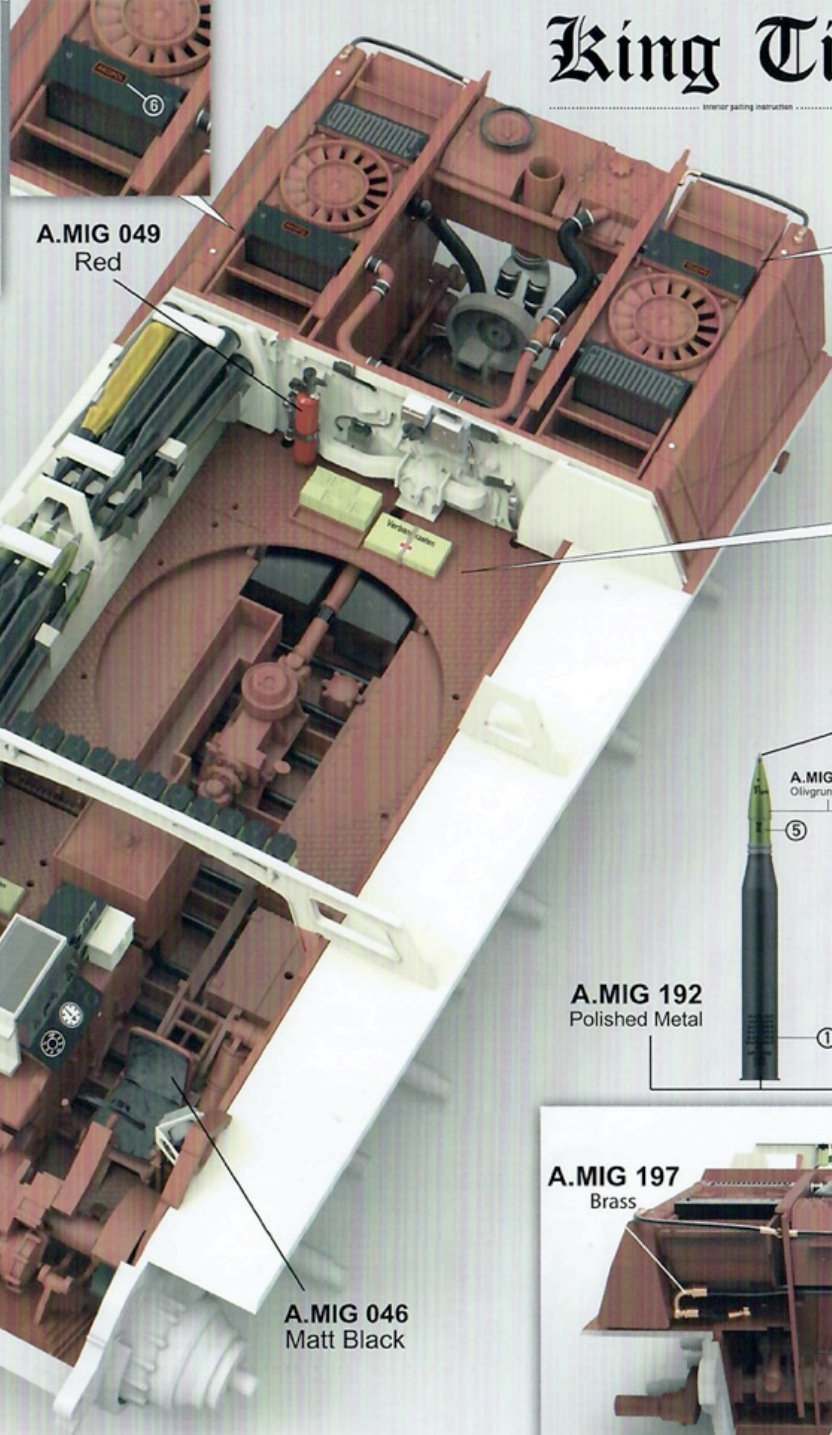
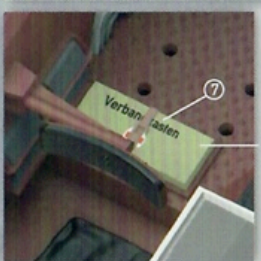
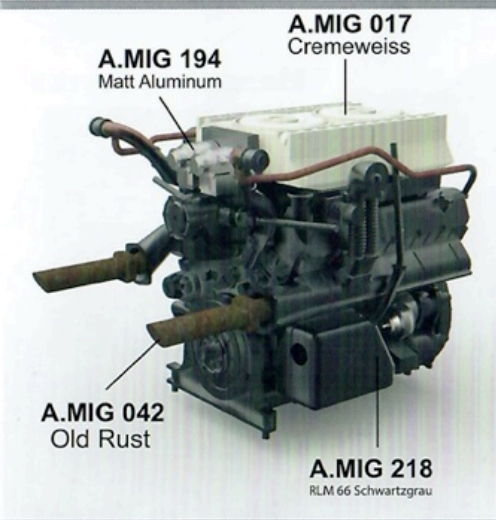
A.MIG 014 Rotbraun

A.MIG 194 Matt Aluminum

A.MIG 032 Satin Black

King Tiger

Interior painting instructions



03.03.2045