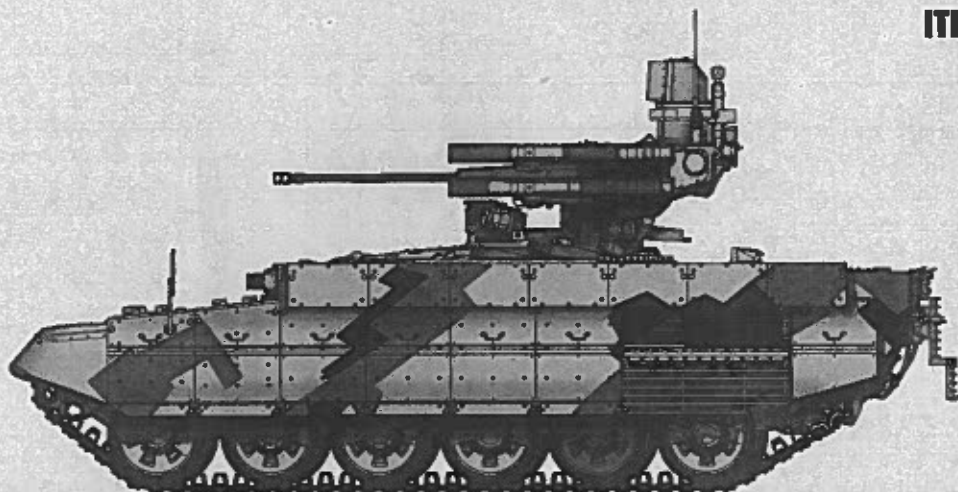


1/35 SCALE

ITEM NO.:05548



# Russian BMPT

## 俄罗斯BMPT火力支援战车

### READ BEFORE ASSEMBLY:

- Study and understand these instructions thoroughly before beginning assembly
- When needed, remove photo-etch parts carefully using a modeling knife or photo etch sprue cutter, being careful not to damage or lose small parts.
- Take extra care in handling photo etch parts in order to avoid injury
- Apply instant cement sparingly to photo etch parts where instructed
- Tools recommended(not included in kit):Plastic and instant cements, sprue cutters,long nose pliers,modeling knife, small files, tweezers, pin vise & scissors. Soft cloth and sandpaper will also assist in construction
- Glue and paint are not included in the kit. Use plastic cement and hobby paints only. Color guide for purchasing paint is included in the kit.

### 装配之前仔细阅读

- 小心用模型锉刀锉平所有零件表面的注射浇口。
- 小心用刀片切下蚀刻片零件，不要遗失小零件。
- 用强力快干胶水粘合蚀刻片零件和金属轴。过量快干胶水使用可能导致可动零件会粘住，小心涂胶。
- 取蚀刻片时应特别注意安全，防止利边划伤手指。
- 某些零件表面需贴上水贴纸，请选择在装配的同时进行。
- 推荐模型工具(自备)：胶水，水口剪刀，长咀钳，刀片，锉刀，镊子，钳，钻，剪刀，瞬间快干胶。
- 软布同砂纸同时也应该是必备工具。
- 请使用塑料胶水和油漆，模型内不含。



配置  
Weight



使用强力胶  
Cyanoacrylate glue



钻孔  
Make hole



切除  
Cut / Remove



贴纸  
Decal



锉平  
File / Sand



选择  
Option



不涂胶水  
No cement



弯曲  
Bend

### 水贴纸的使用:

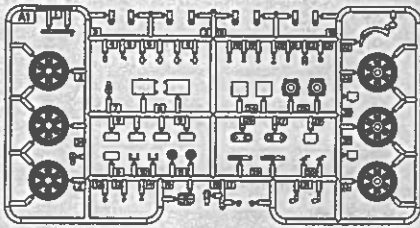
- 1.从水贴上剪下印花;
- 2.将印花放入温水中浸10秒,然后放在干净布上。
- 3.拿着印花纸板将印花移到模型上;
- 4.手指蘸水将印花移到适当的位置;
- 5.用软布轻压印花直至水干, 气泡消失

### DECAL APPLICATION

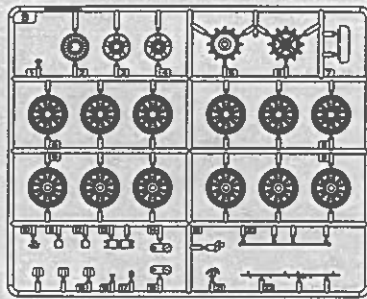
- 1.Cut decals from sheet as needed
- 2.Dip the decal in warm water for about 10 seconds and then place on soft clean cloth.
- 3.Hold the decal backing sheet edge and gently slide the decal onto the model in its proper position.
- 4.While still wet,decal can be adjusted for better fit on model by dampening it gently with your finger.
- 5.When placed in the proper position,gently press decal down with a soft cloth until excess water and air bubbles are gone.
- 6.Allow decal to dry completely before handling model

部品图

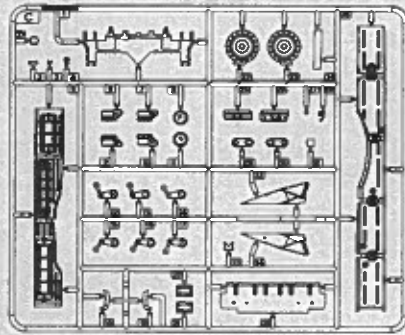
Parts  
AX4



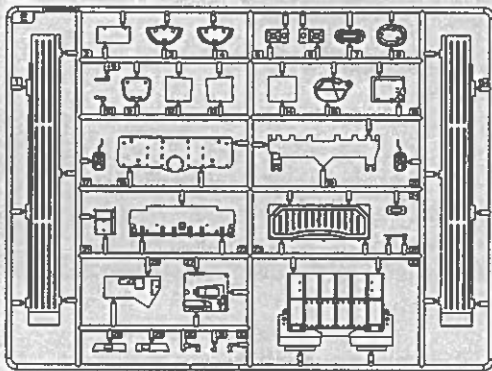
BX2



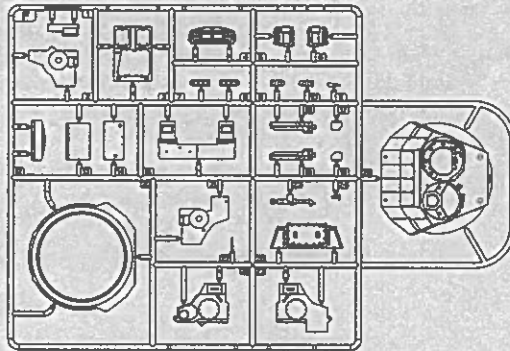
C



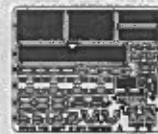
E



F



《蚀刻片A》  
PE-A



《蚀刻片B》  
PE-B



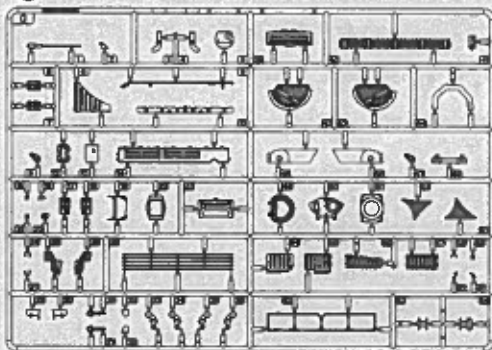
《蚀刻片C》  
PE-C



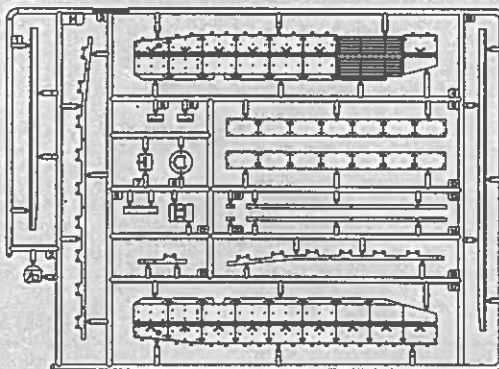
《轮塞》  
Poly cap



G



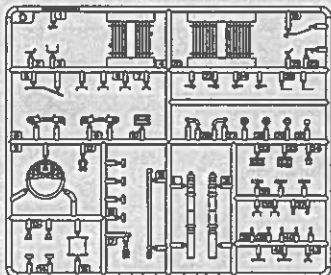
H



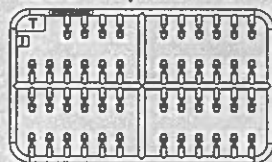
《铜线》 $\phi 0.8 \times 250\text{mm}$   
Brass wire



DX2



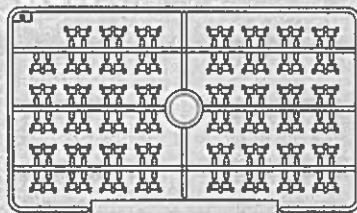
TX4



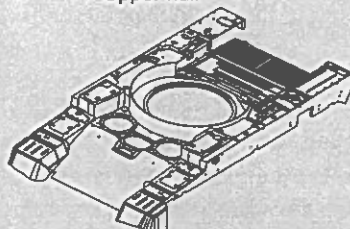
GP



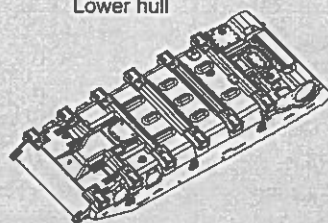
TRX4



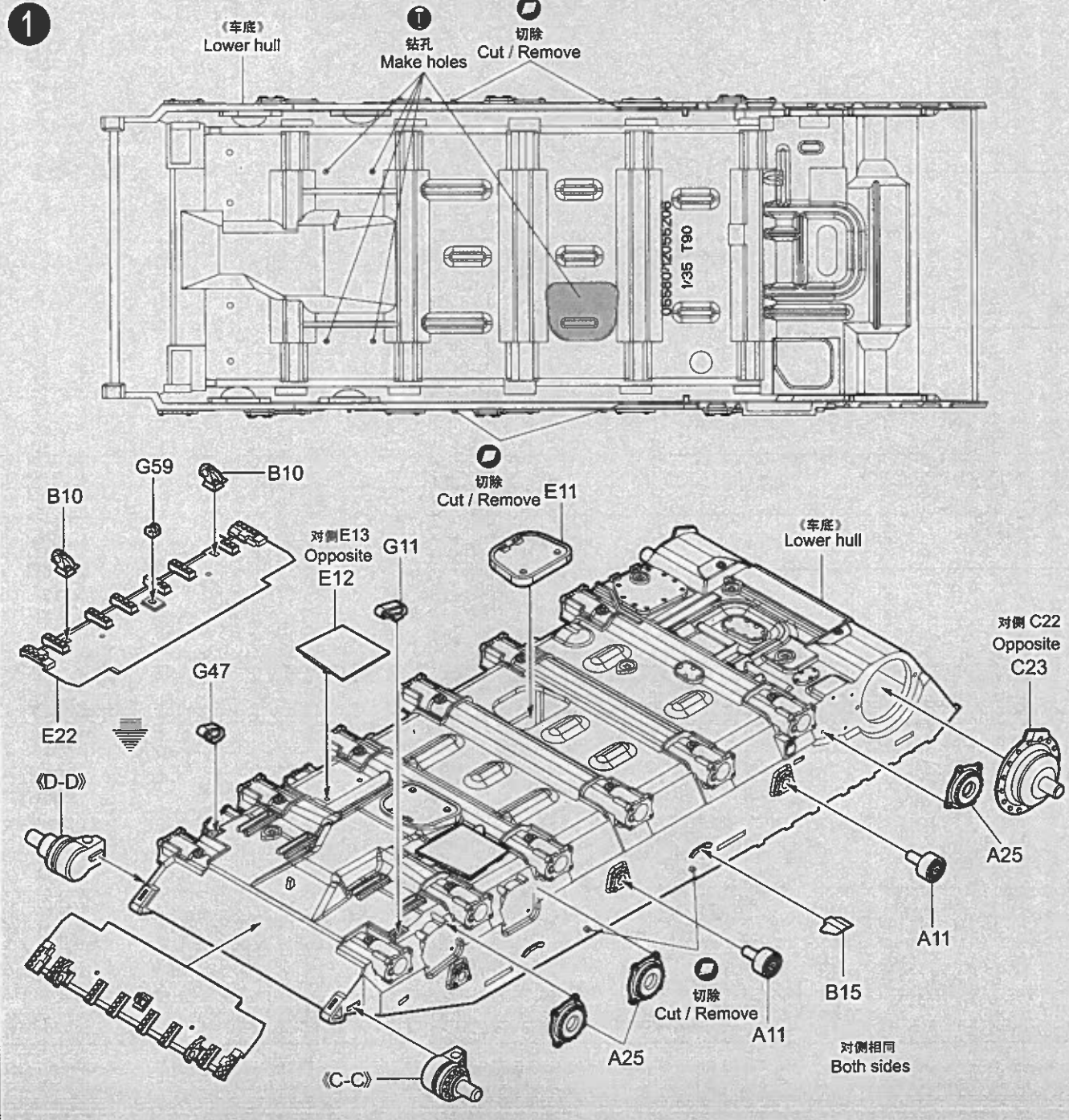
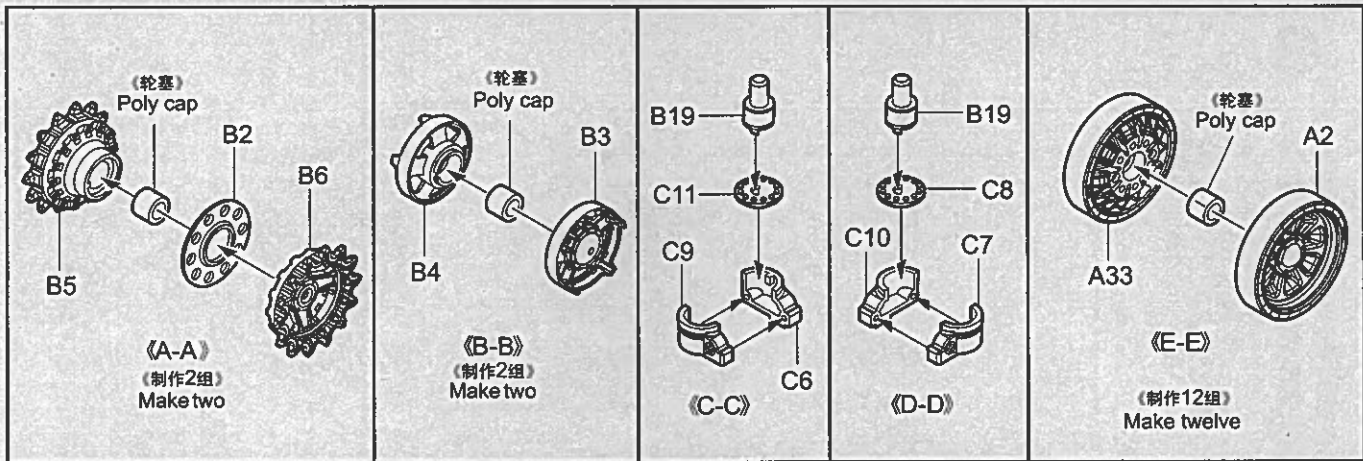
《车面》  
Upper hull



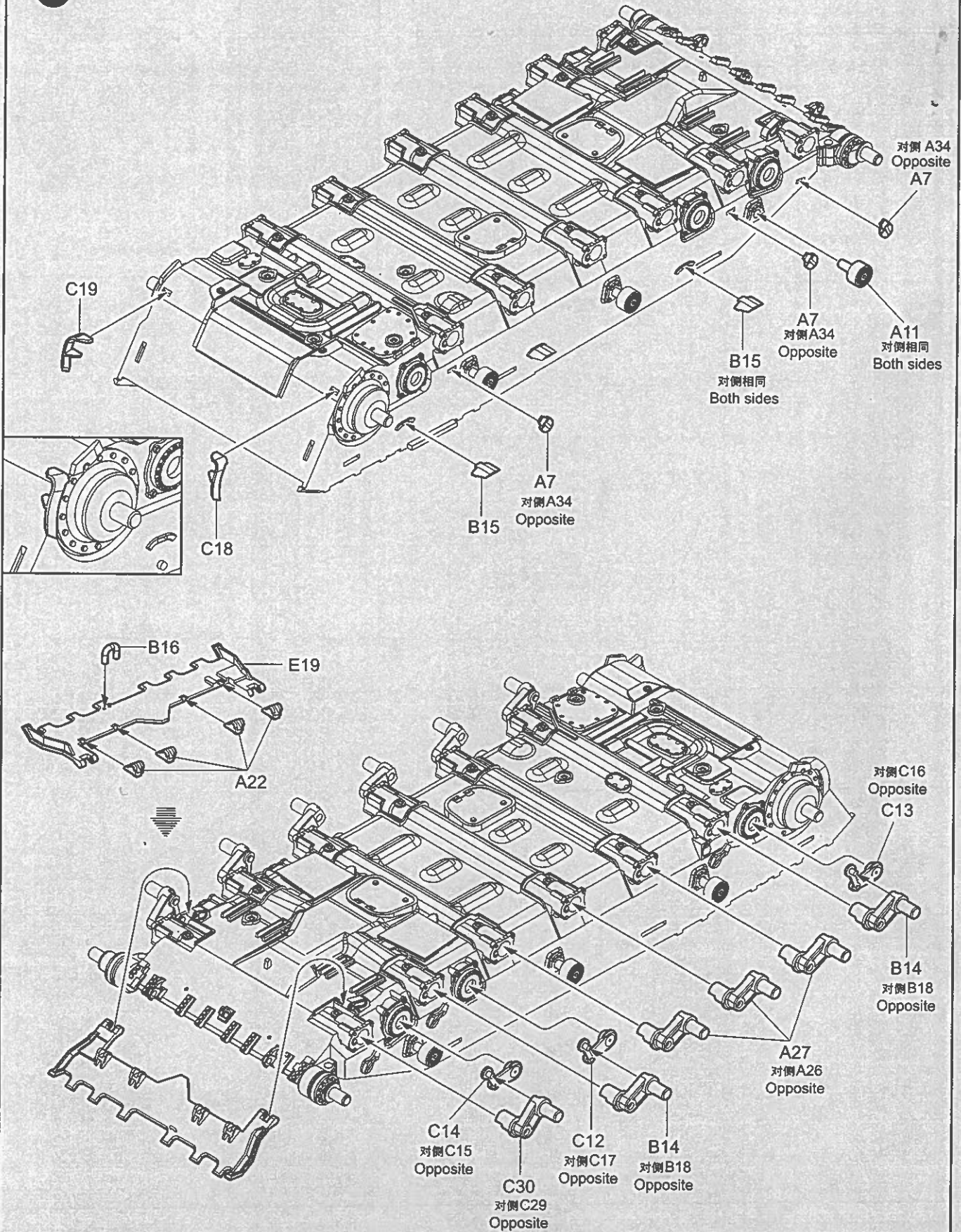
《车底》  
Lower hull





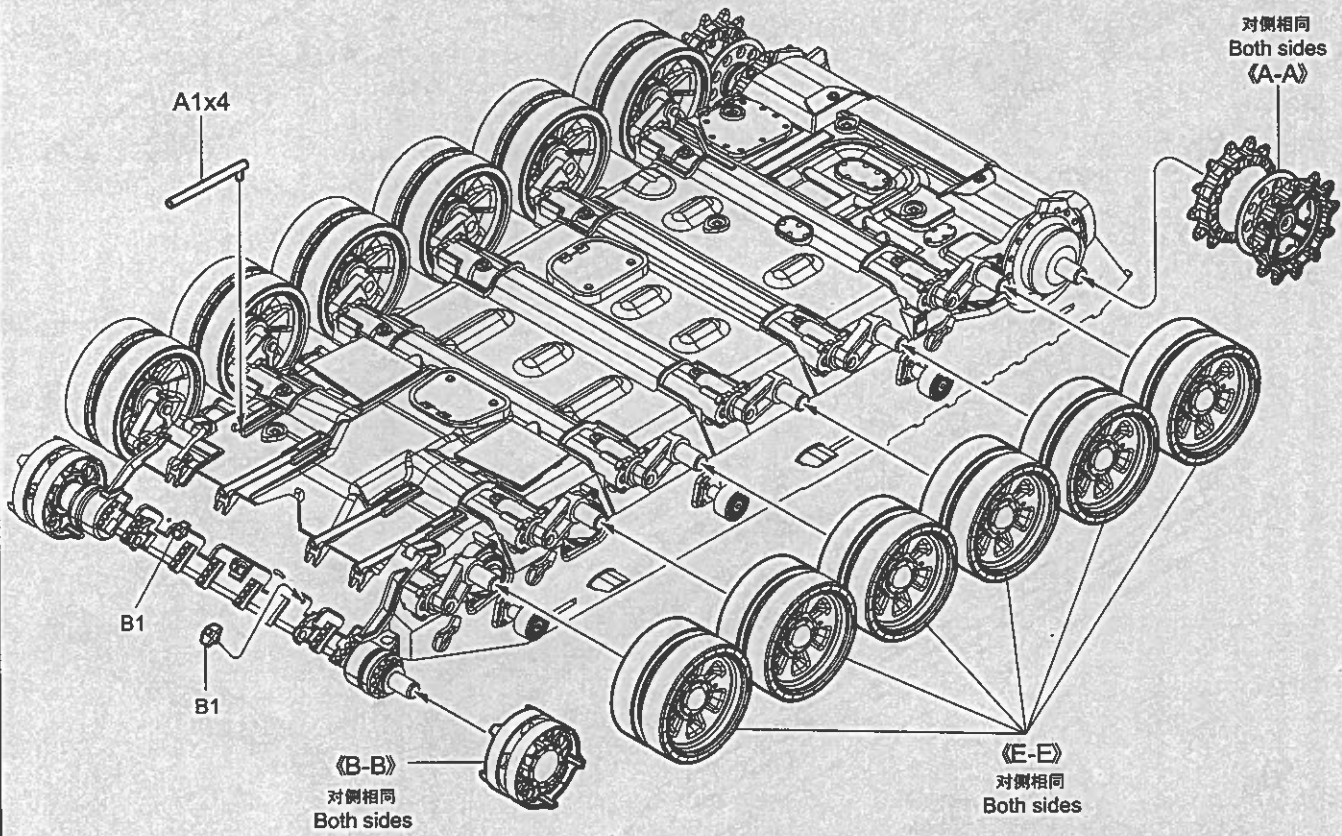


2

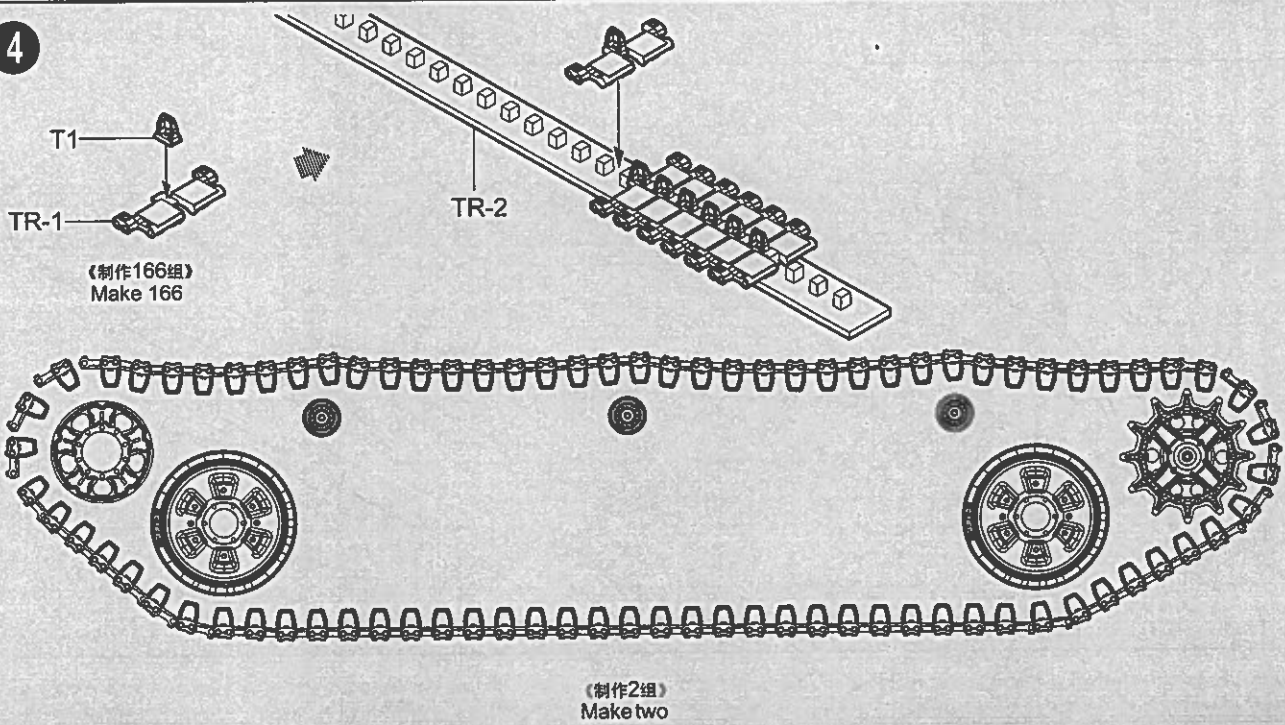


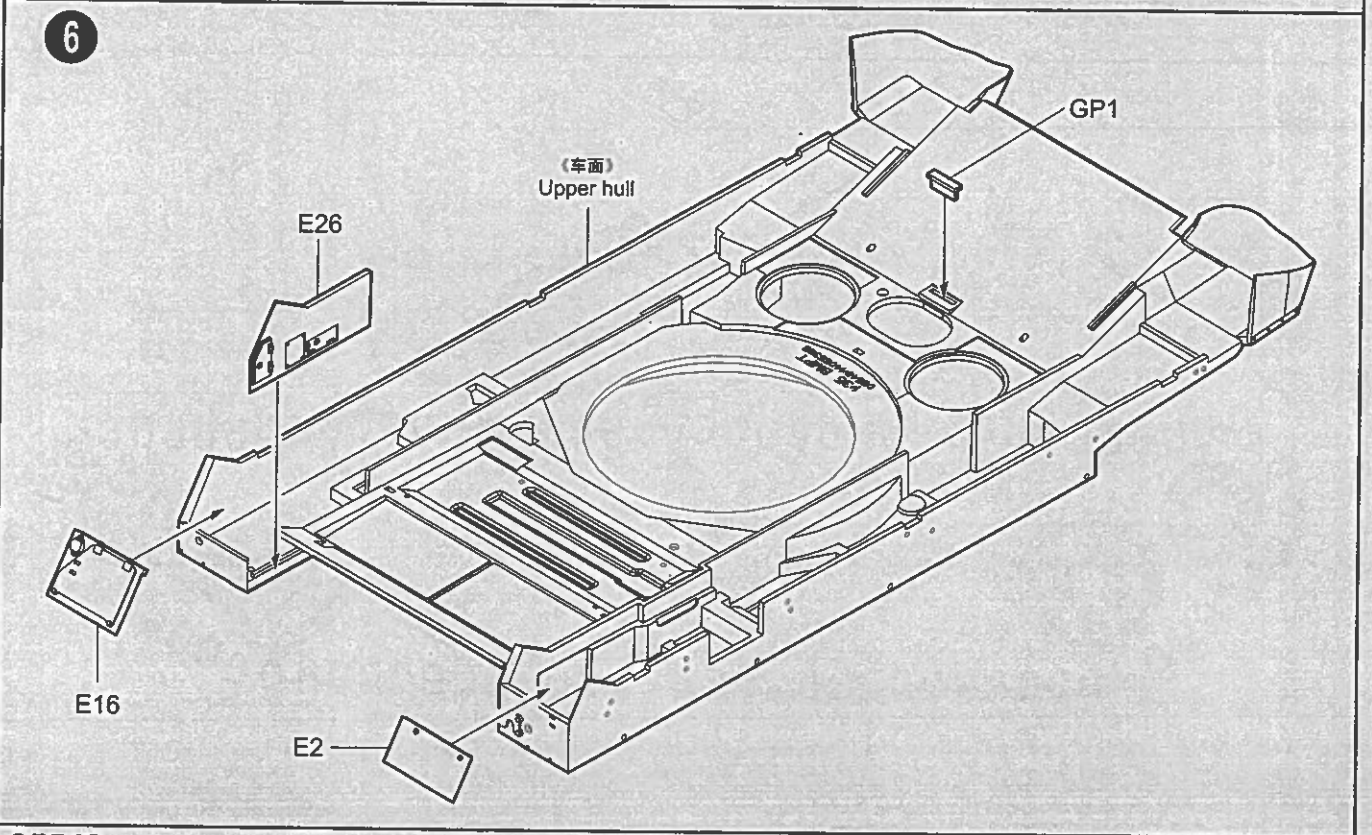
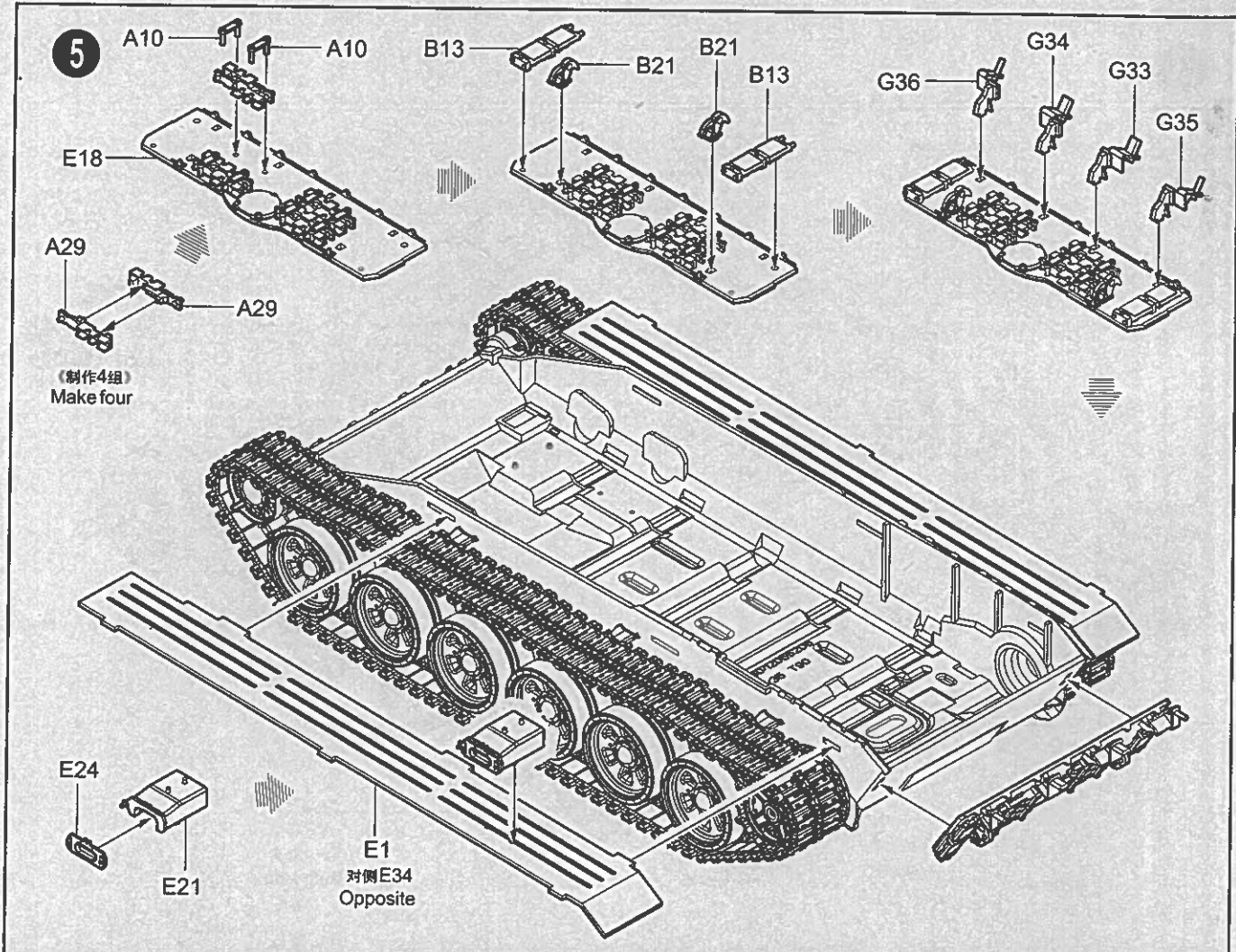


3



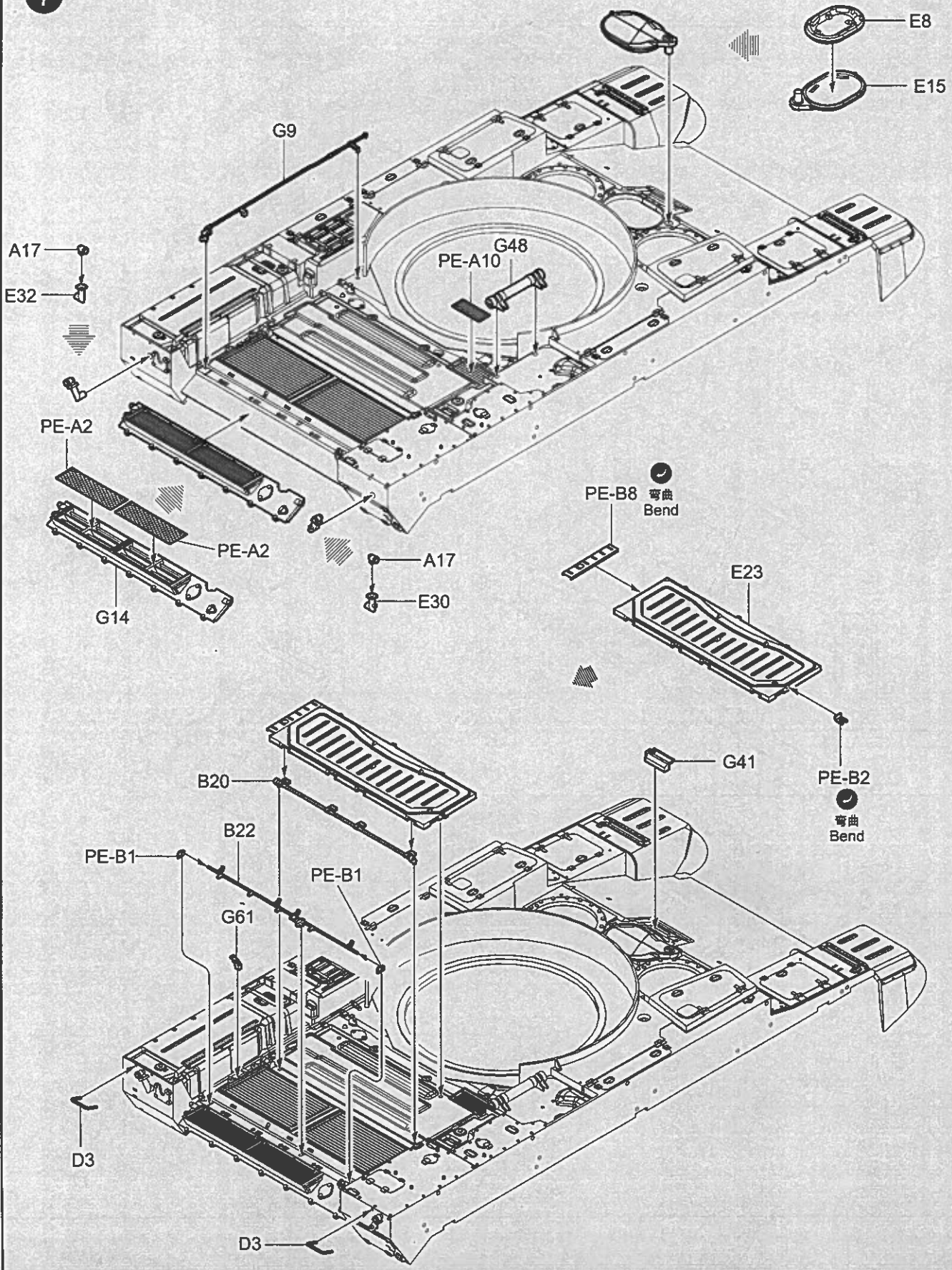
4



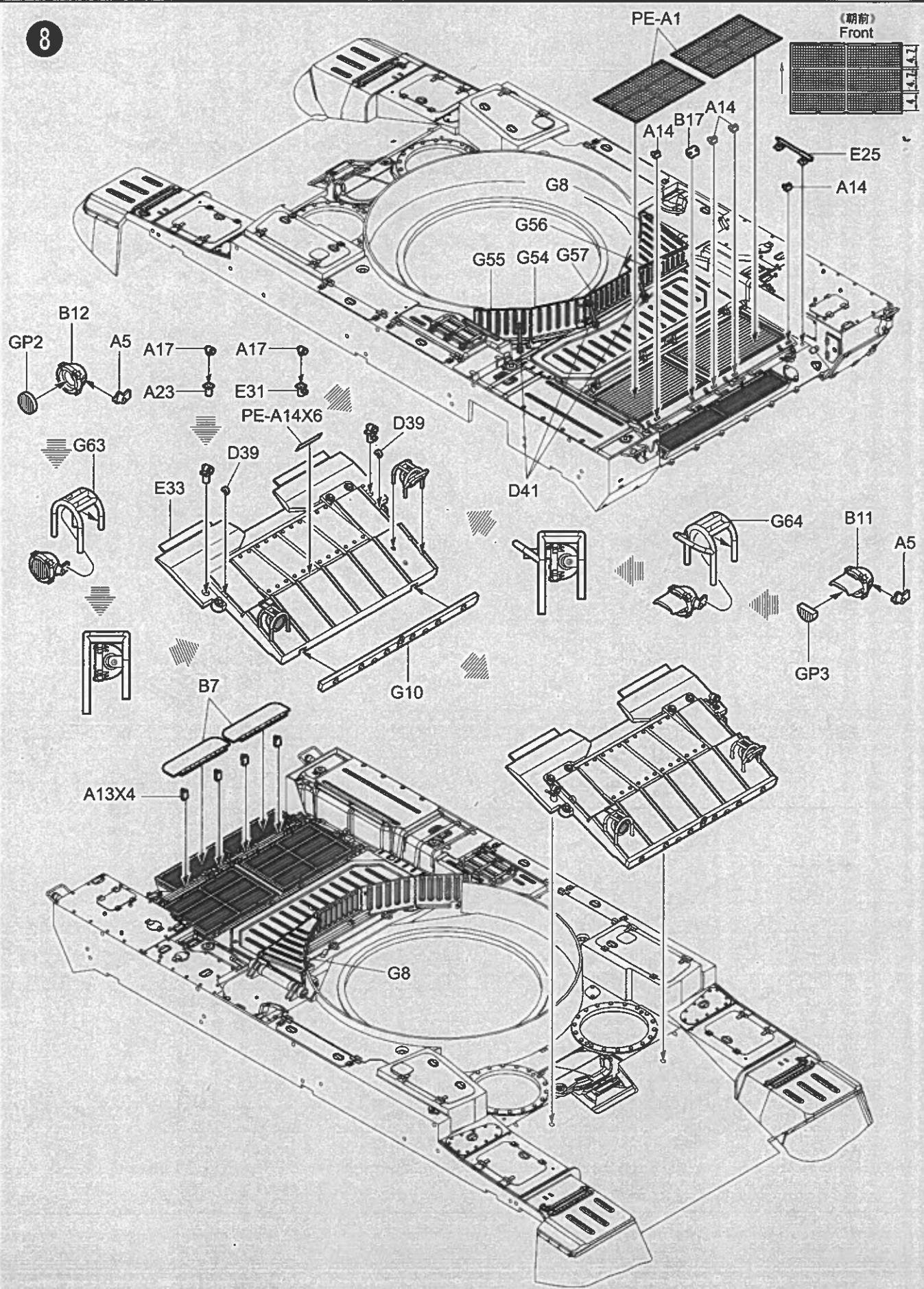




7

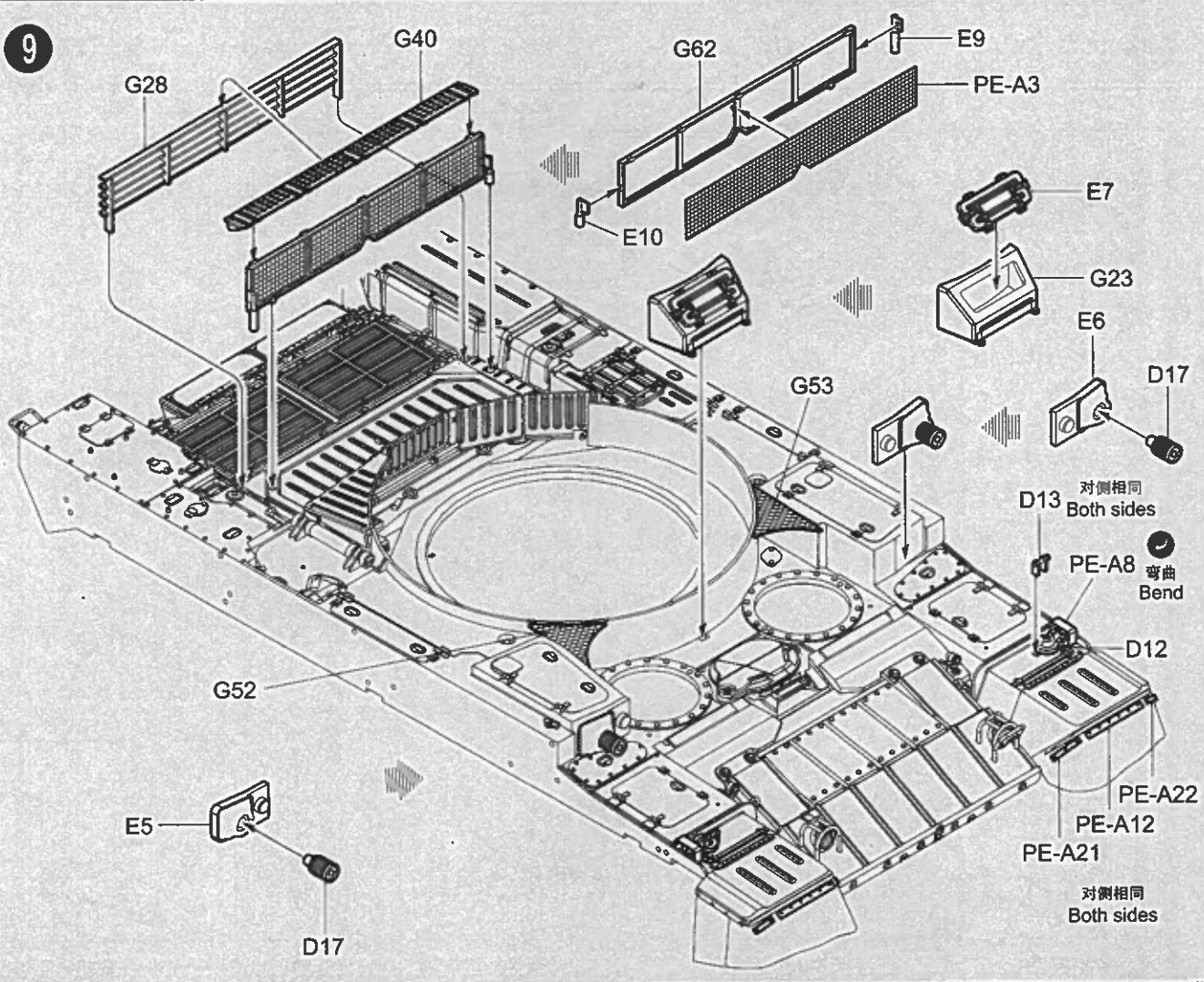


8

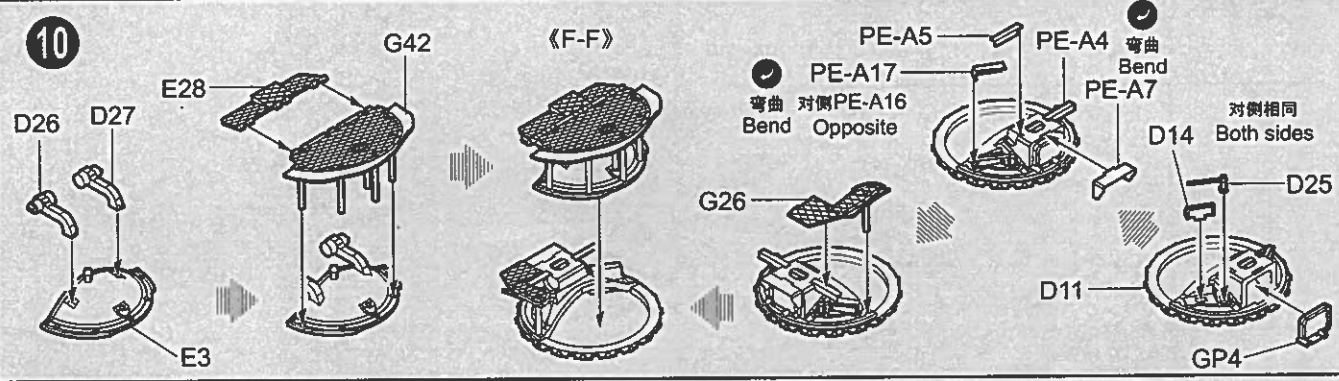




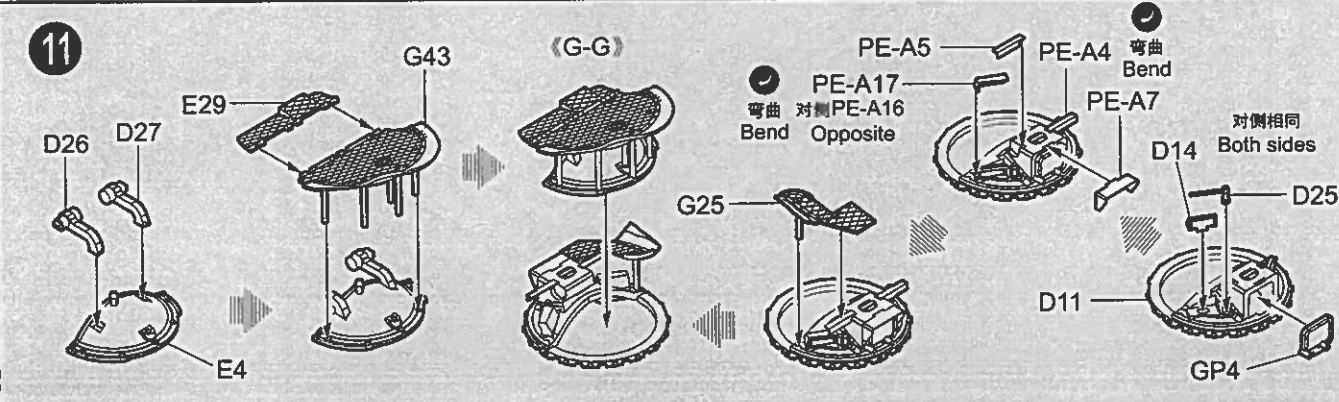
9



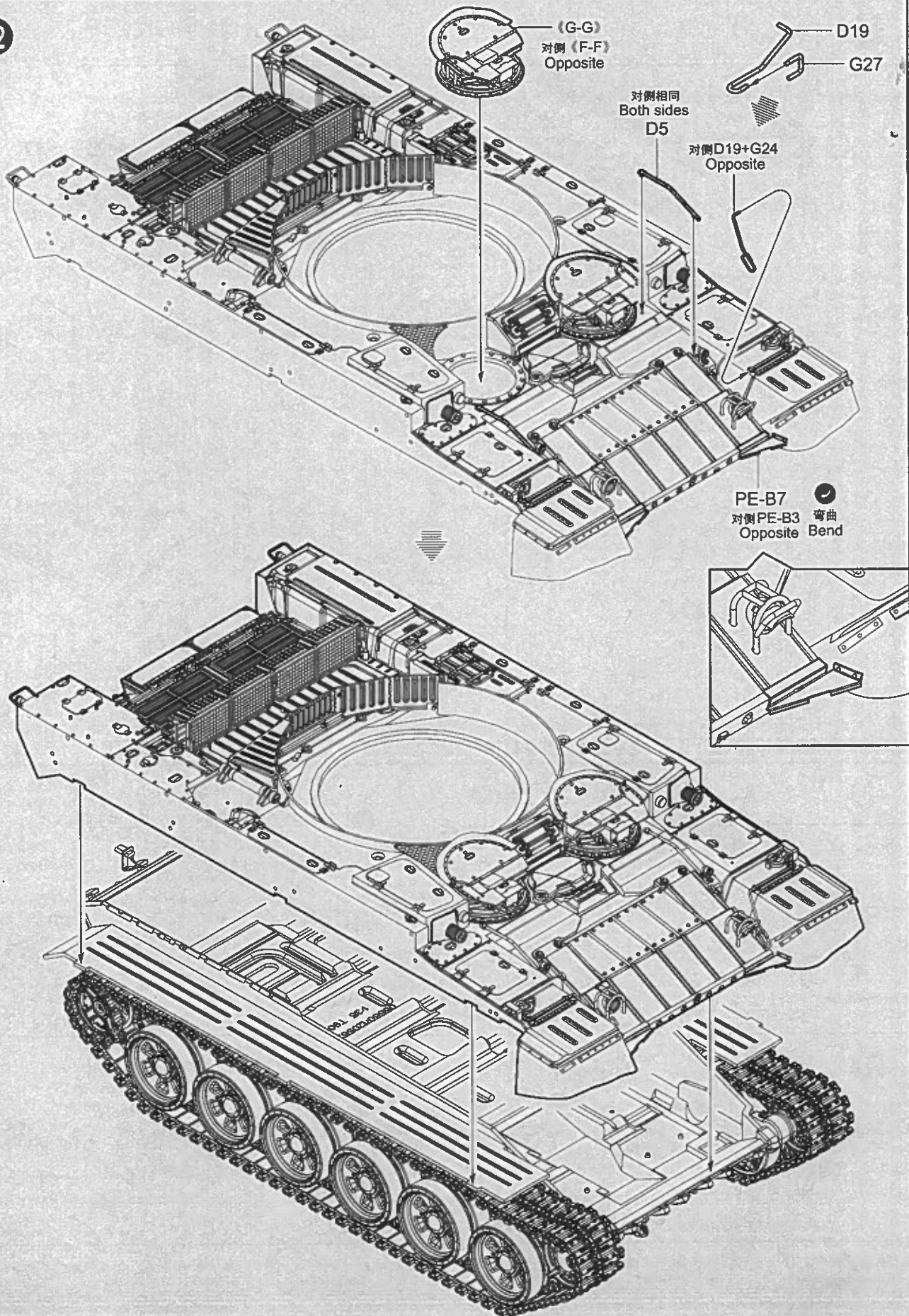
10



11

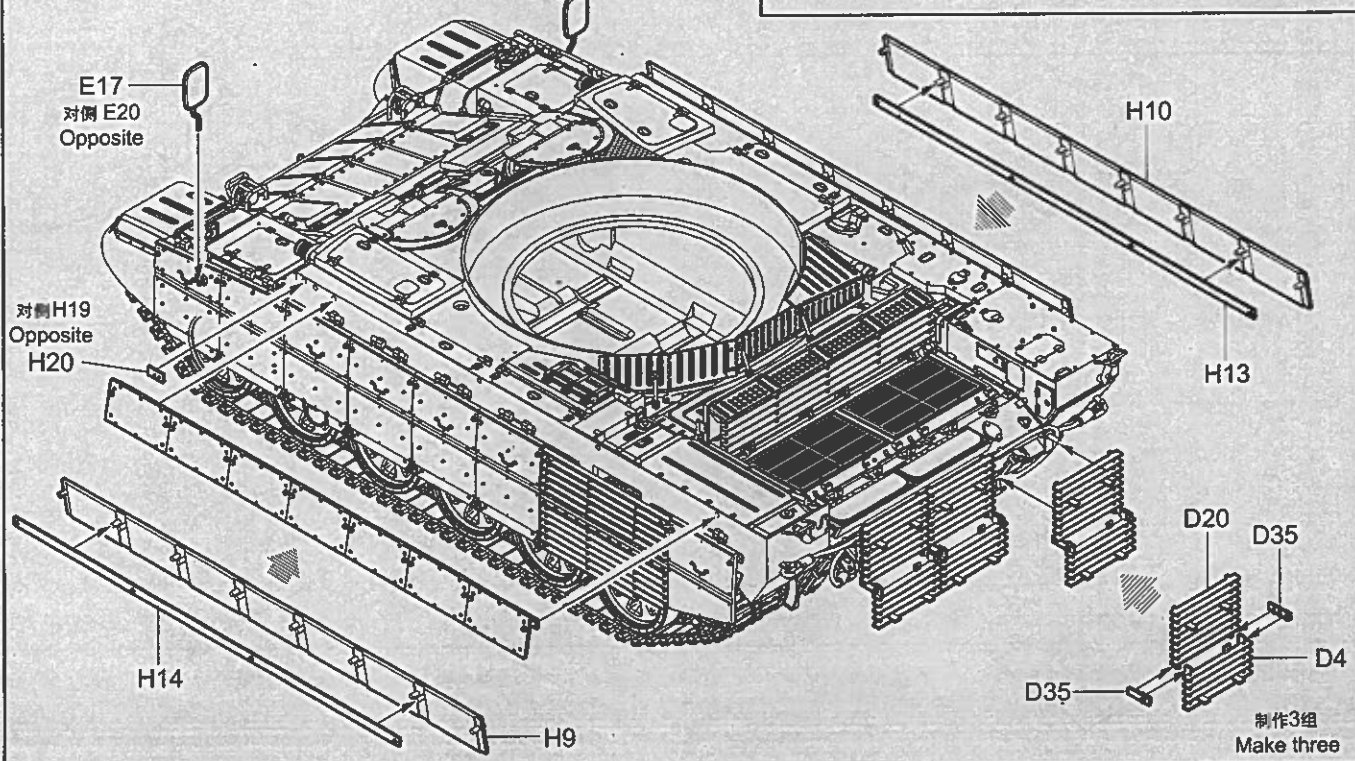
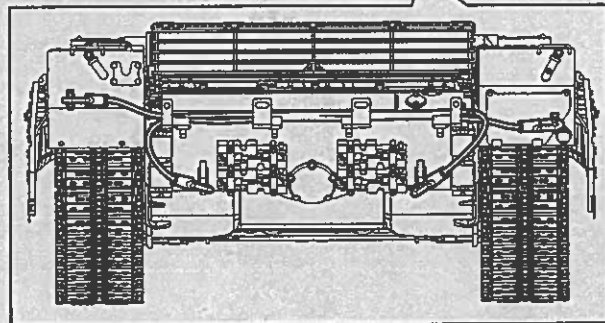
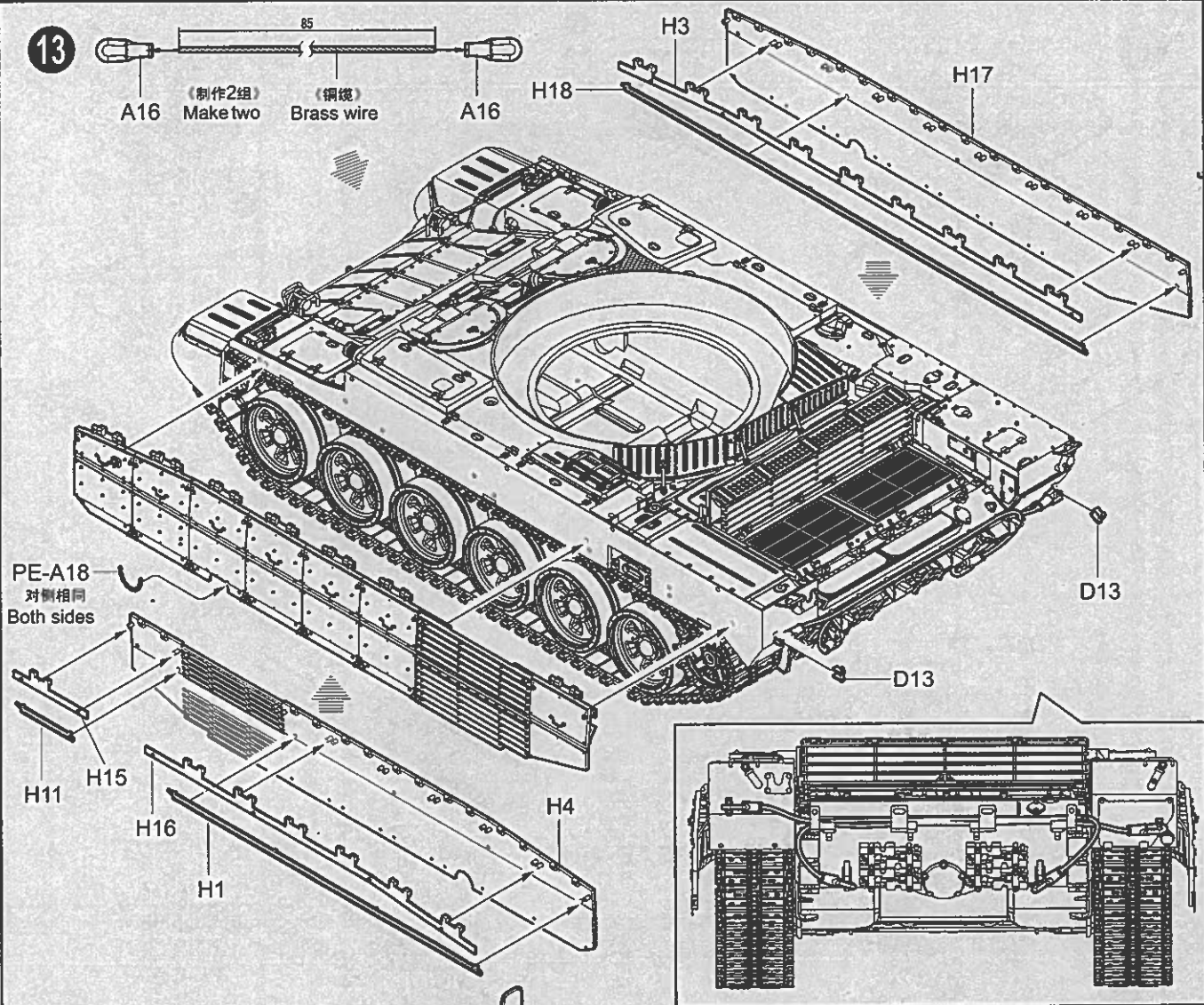
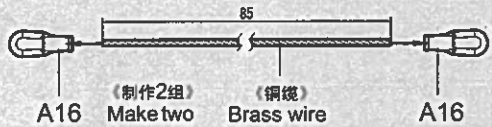


12

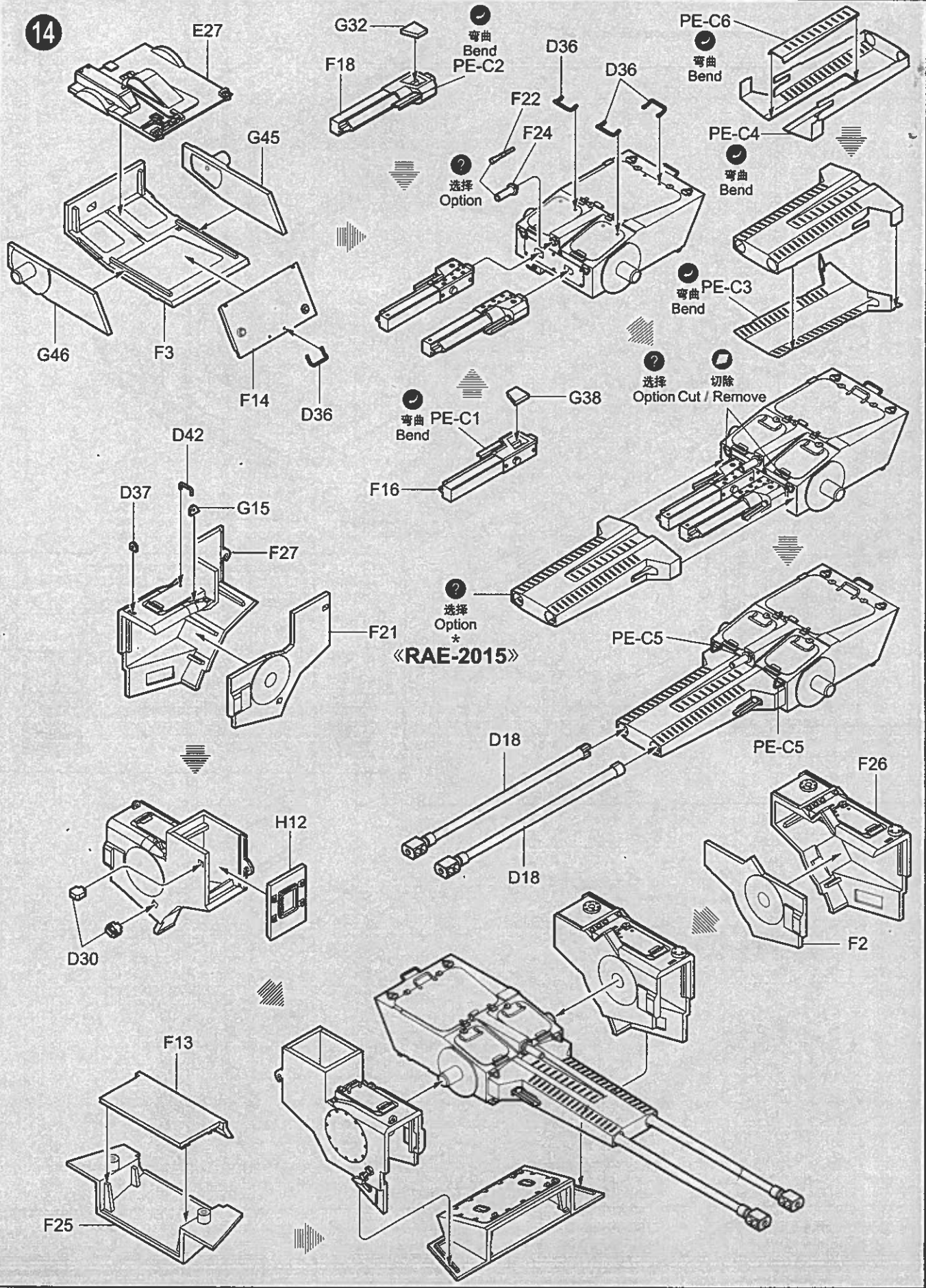




13

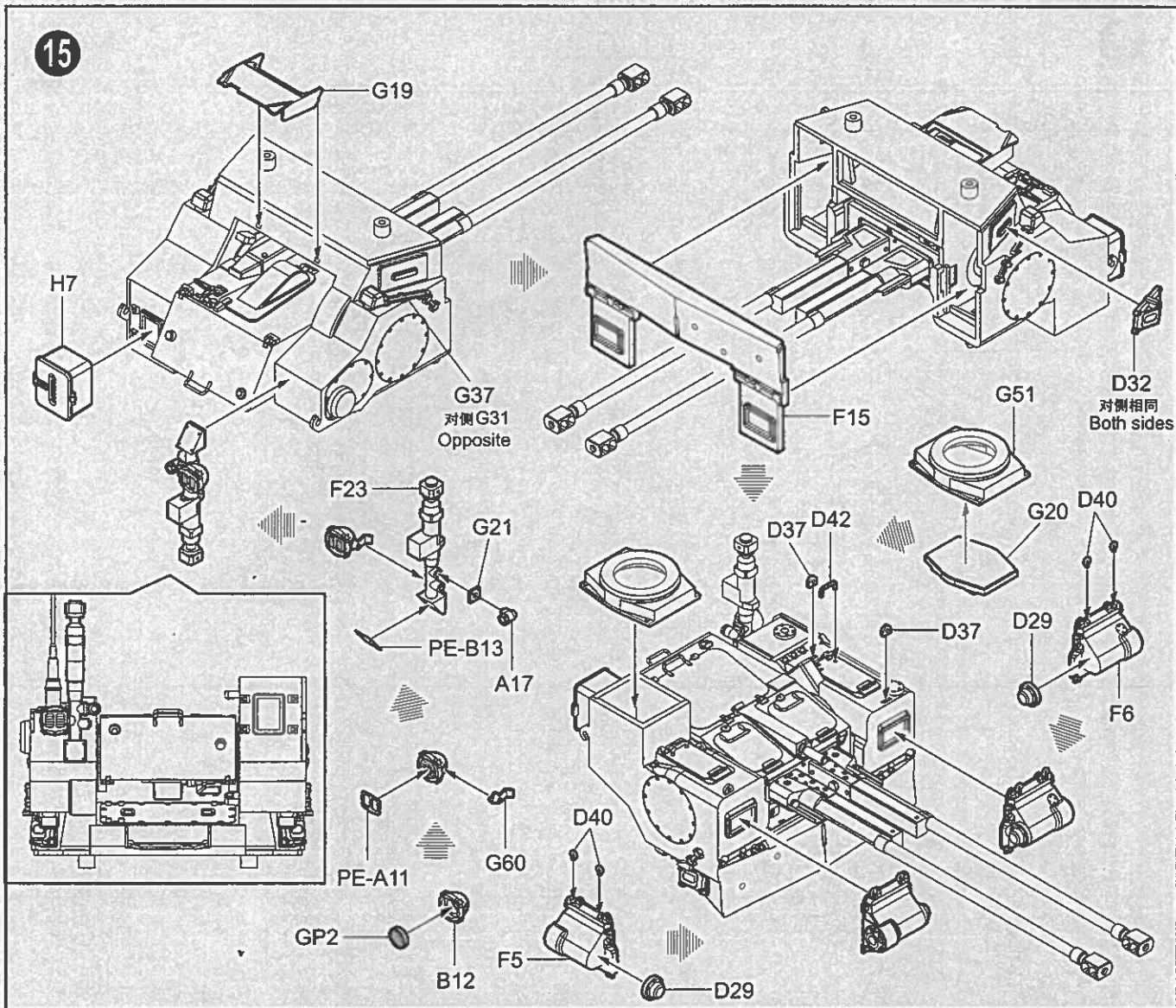


14



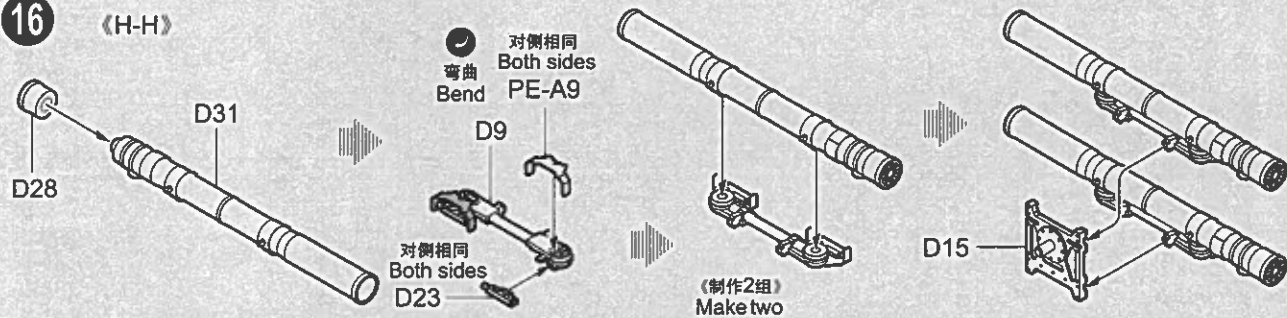


15



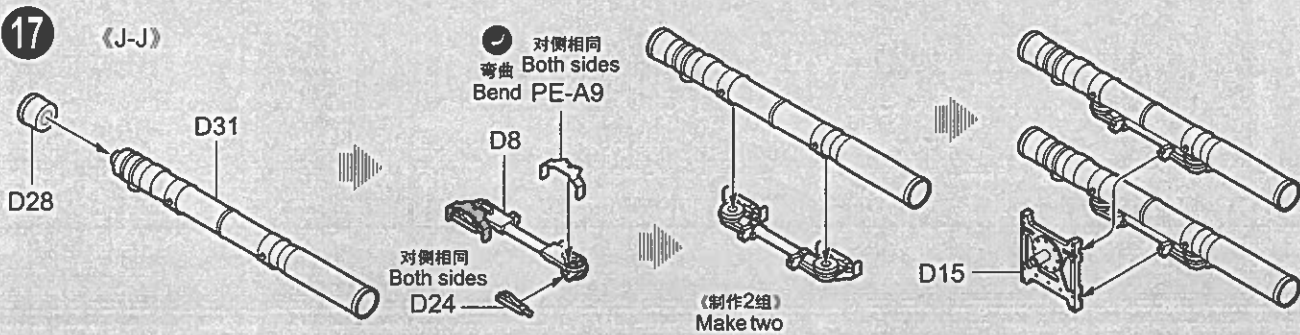
16

(H-H)

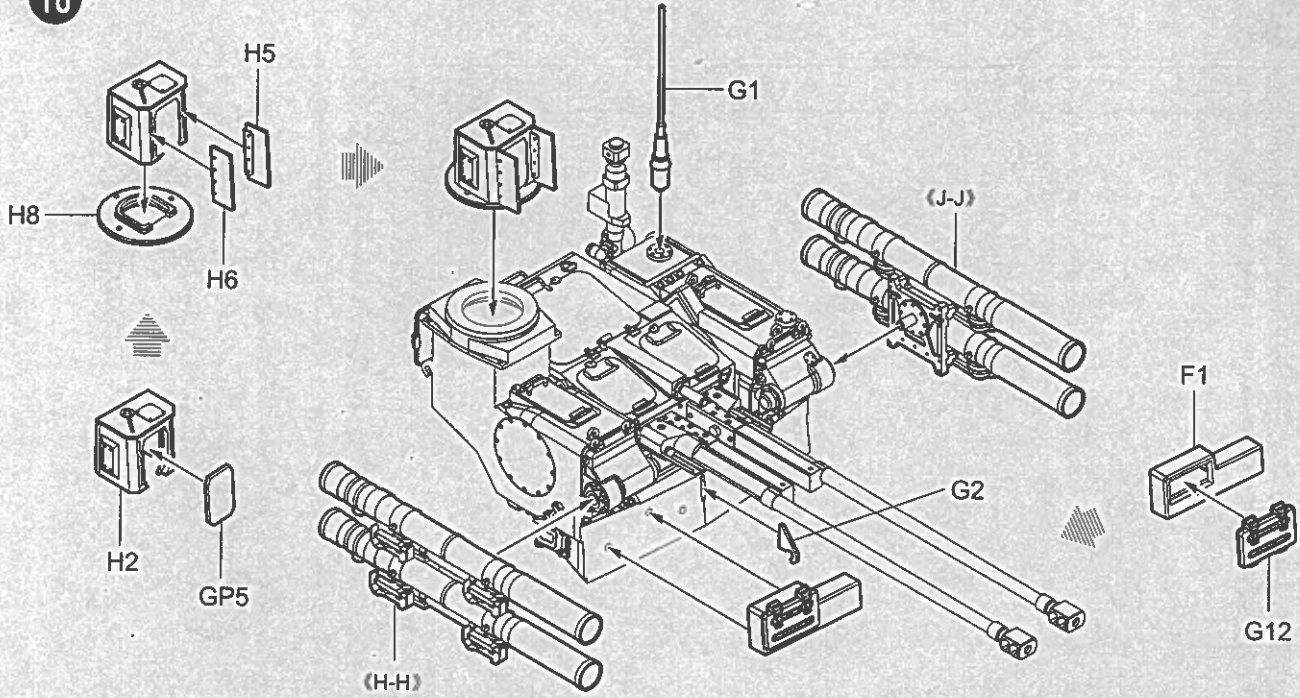


17

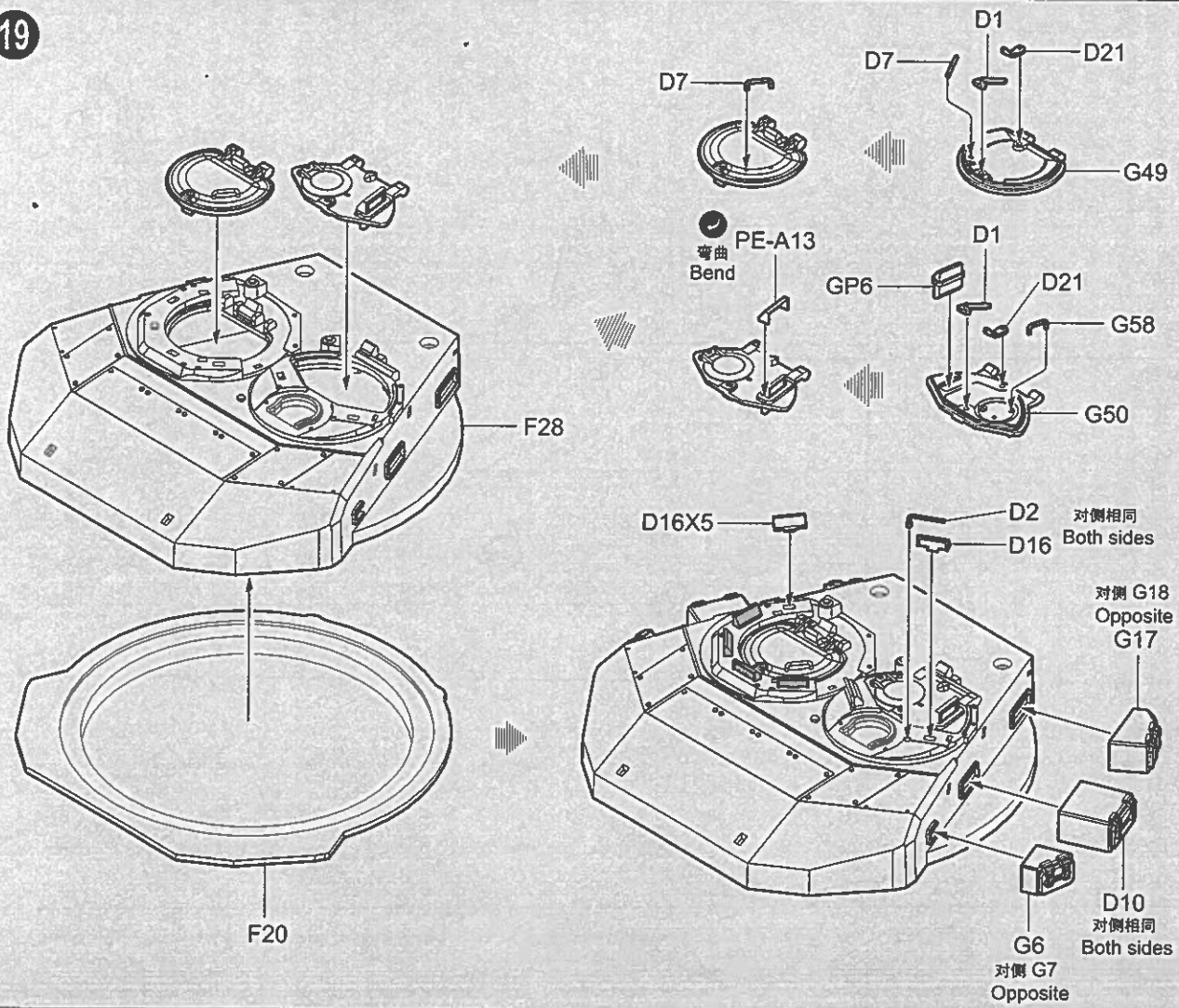
(J-J)



18

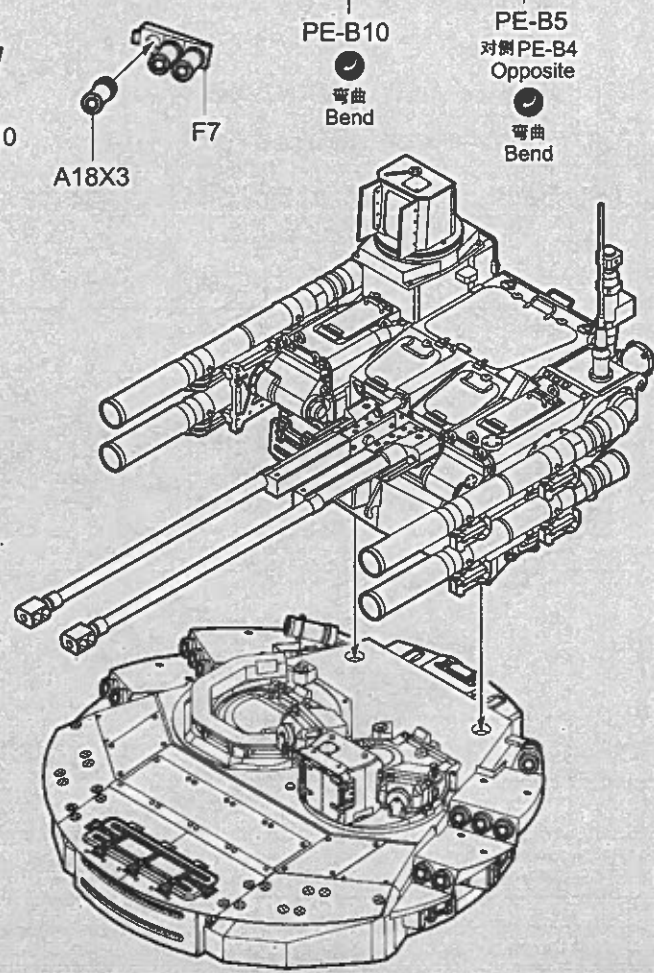
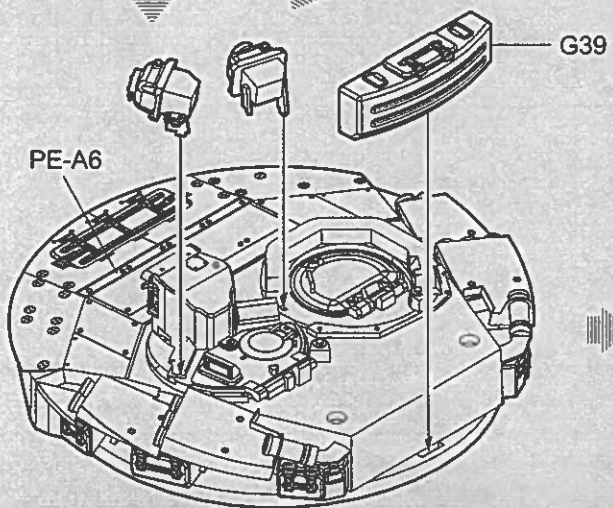
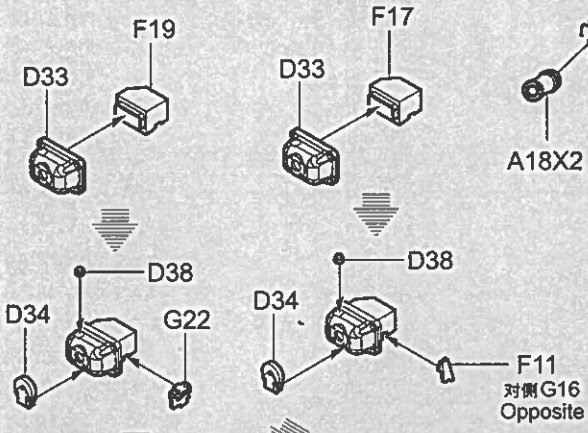
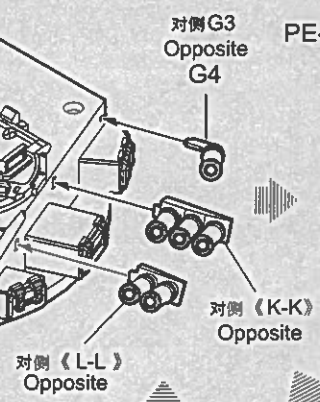
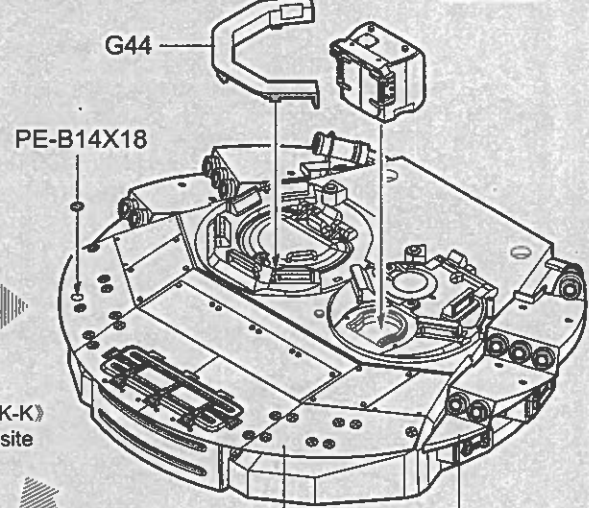
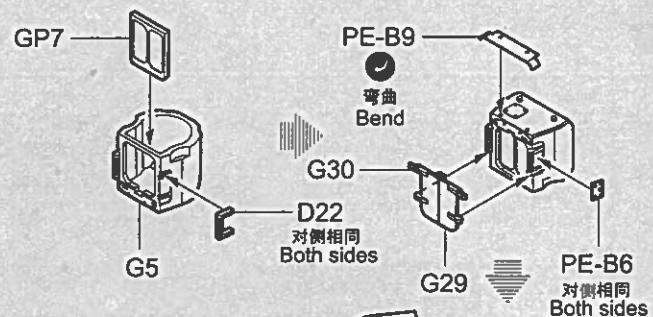
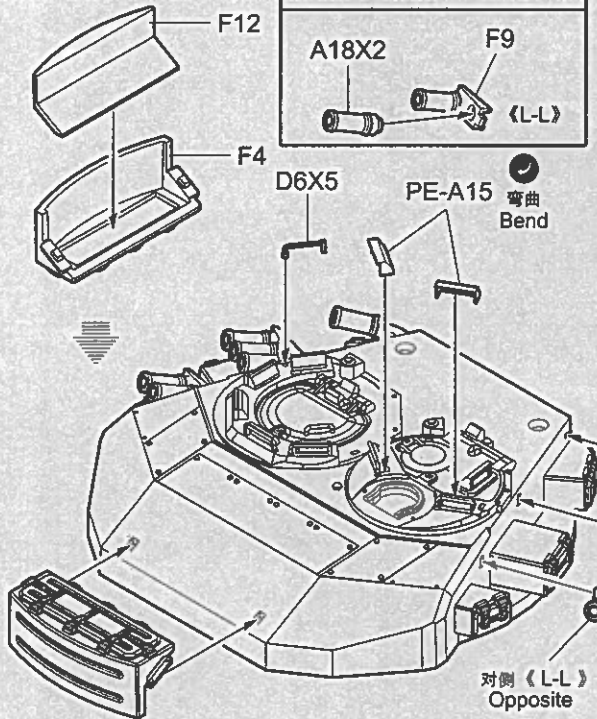
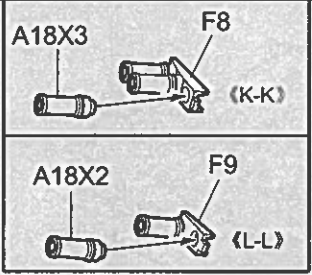


19

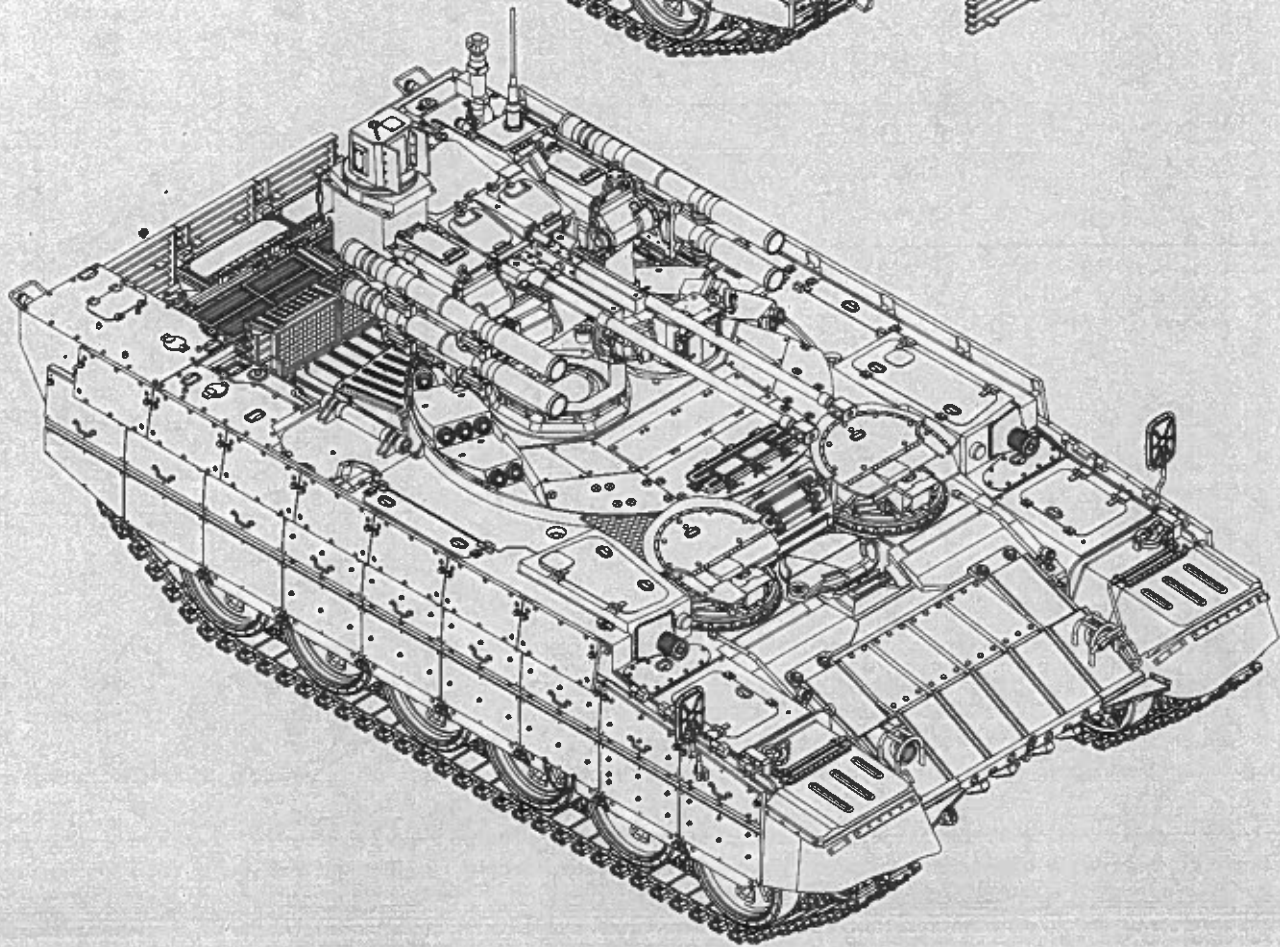
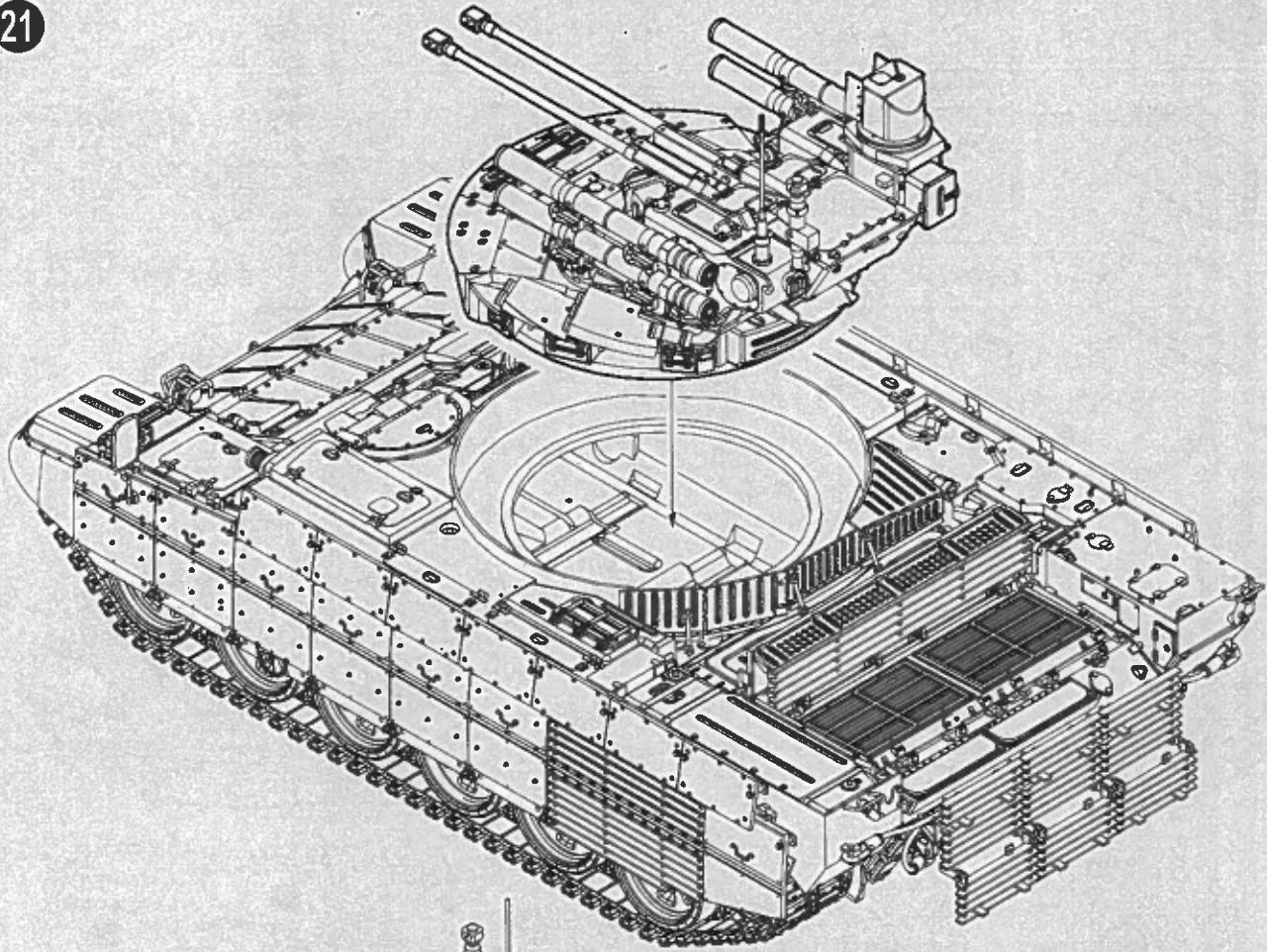




20



21

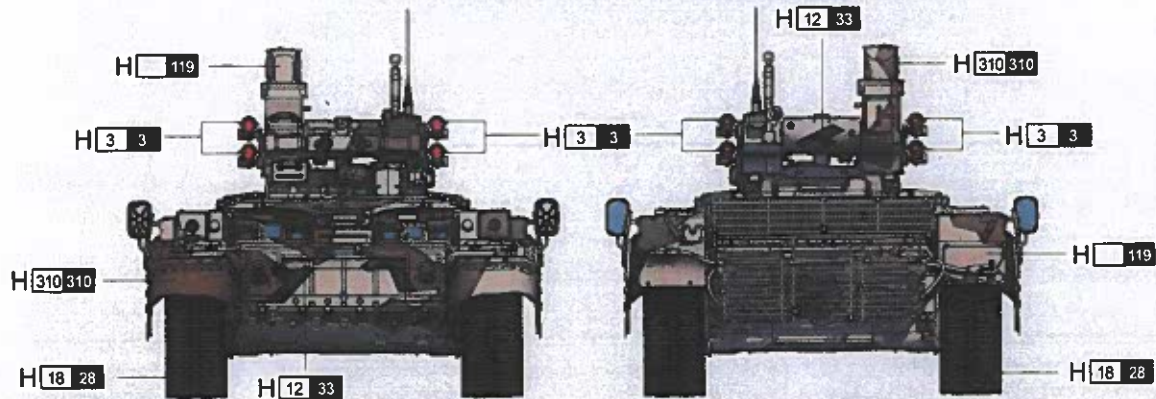
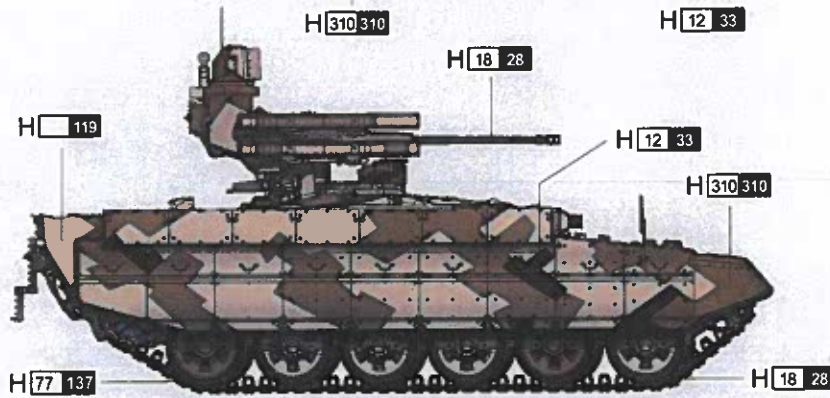
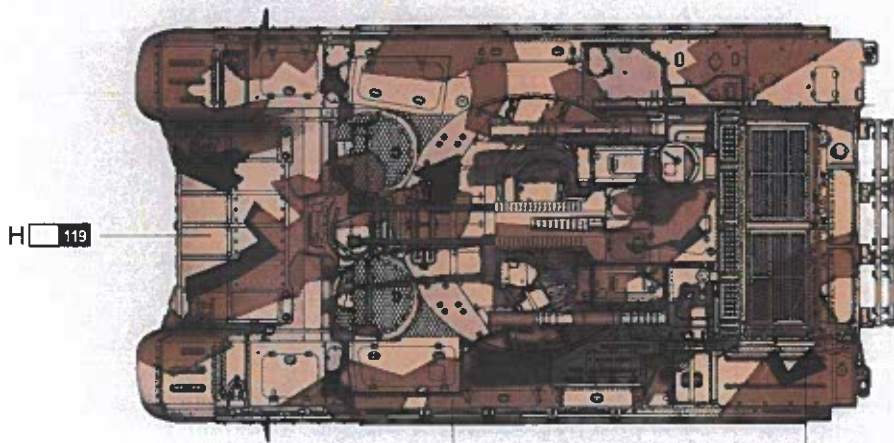
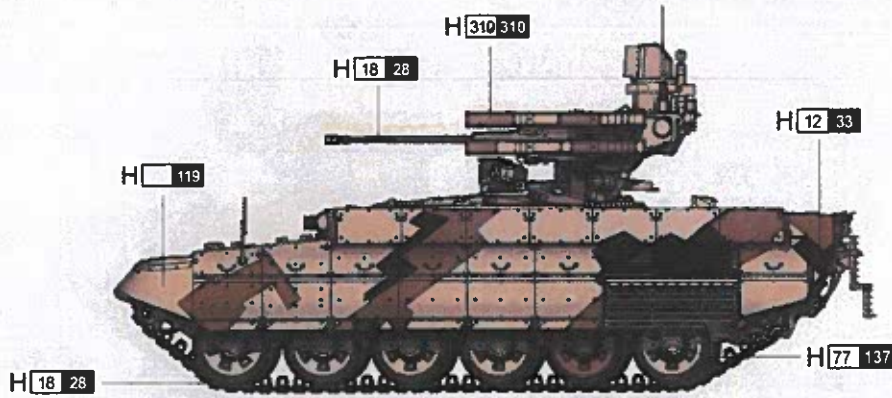




# 涂装同标贴指示 Painting & Marking guide

## A RAE-2015

Color	Mr.Hobby	Vallejo	Model Master	Tamiya	Humbrol
Sandy Yellow 砂黄色	H 119	843	1735	XF59	63
Brown 棕色	H 310 310	874	1742	-	118
Red 红色	H 3 3	908	1503	X7	19
Flat Black 哑光黑	H 12 33	950	1749	XF1	33



H AQUEOUS HOBBY COLOR

Mr. COLOR



# 涂装同标贴指示

## Painting & Marking guide

Color	Mr.Hobby	Vallejo	Model Master	Tamiya	Humbrol
Light Green 特色	H 303 303	-	1713	XF20	117
Yellow 黄色	H 313 313	819	1706	-	121
Tan Black 棕色	H 77 137	-	-	-	-
Metal Black 黑色	H 18 28	864	1402	-	-

**B**

