

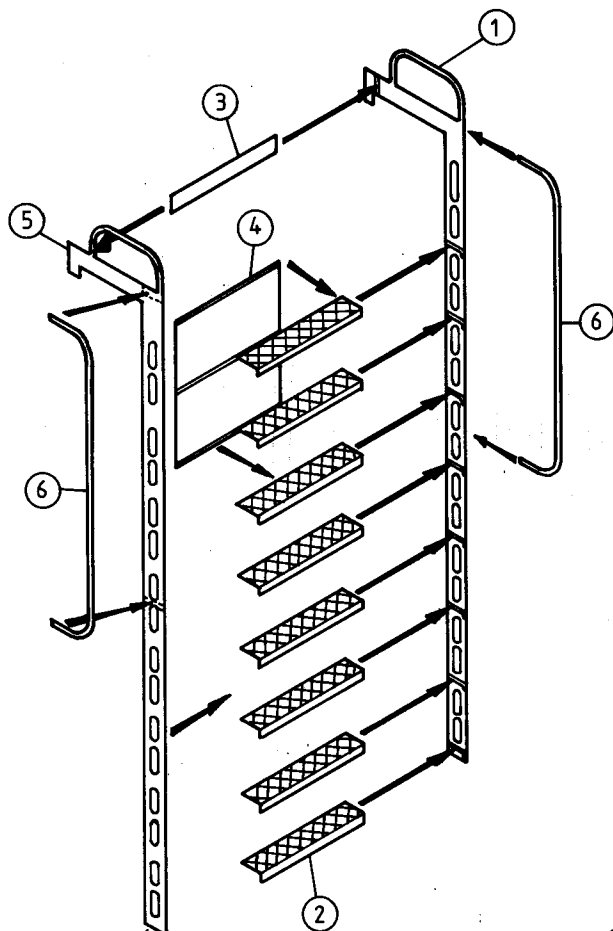
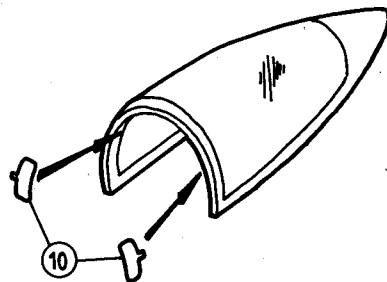
# Set AC72-62

## AIRWAVES

### DEMON LADDER

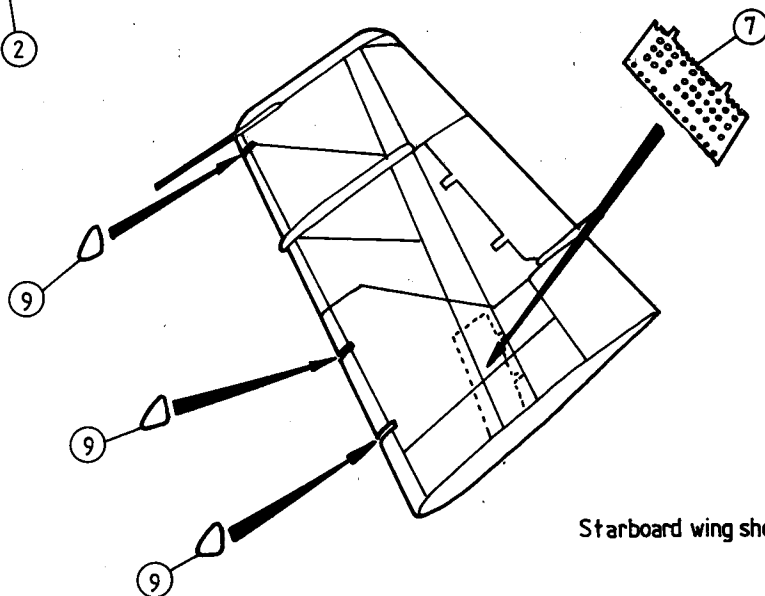
This detail set is manufactured from photo etched brass sheet and is meant for use on the Emhar kit.  
Use a sharp modelling knife to separate components from frame ensuring that it is done on a hard firm surface as close to the part as possible. Tag scars can be cleaned by holding in pliers and using a fine file. To fold part hold in pliers up to line of fold, and, using a screwdriver blade, fold in one go. For assembly use superglue or 5 minute epoxy, using only the latter on clear parts. Prior to painting ensure that parts are fully defluxed by cleaning in liquid detergent and rinsing in clean water, and then primed with either self etching primer or matt enamel. Position of parts in diagram is for guidance only. For final positioning and colouring see reference material.

Airwaves are distributed by E.D. Models, 64 Stratford Road, Shirley, Solihull, West Midlands B90 3LP, England. Tel: 021-744-7488.



Overall colour: Yellow or Red

Recommended reference:-  
Navy Fighters Number Twelve - MCDONNELL F3H DEMON  
by Steve Ginter, currently available from Midland Counties  
Publications.



All components are numbered on frame

Starboard wing shown