



TF-104G /F-104G Starfighter Luftwaffe Trainer

The TF-104G is a fighter serving double duty as a trainer. It has the same flight characteristics as the single-seater, flying as fast and as high and climbing as quickly. The two-seater carries the same communication and navigation systems as the F-104G and can fly missions with the Sidewinders, unguided rockets and bobs under its wings. The front cockpit of the TF-104G is fitted with the same control panels and instrument displays as the F-104G and it can be flown from either cockpit. However, it lacks the capability to fly in auto-pilot mode and as such lacks the auto-pilot control panel and the associated computer.

The TF-104G has no provision for the Vulcan cannon. The gun compartment of the single-seater is used for an internal auxiliary fuel tank containing an extra 150 liters. Although the TF-104G lacks the internal well for the centerline pylon and as such is not capable of carrying this pylon.

CAUTION

- *Read carefully and fully understand the instructions before commencing assembly.
- *Keep out of reach of children. Children must not be allowed to put any parts in their mouths, or pull plastic bag over their heads.
- *When using adhesives and paints, please make sure not to use them in closed room or near the fire.
- *When assembling this kit, tools including knives are used. Extra care should be taken to avoid injury.

WARNING: CONTAIN SMALL PARTS NOT FOR CHILDREN UNDER 14 YEARS OF AGE.



Drill



Remove



2 Set



Bend



Optional



Decal



Super Glue



Fill Hole



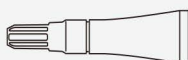
No Cement



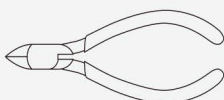
Be Careful

TOOLS RECOMMENDED

Cement



Side Cutter



Modeling Knife



Tweezers

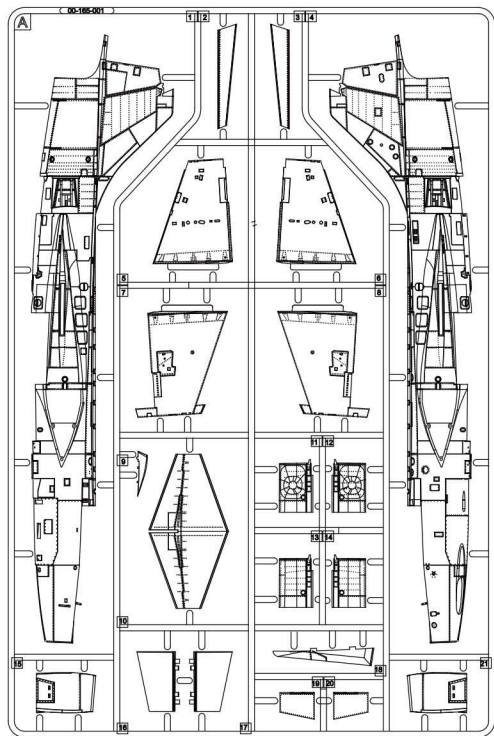


AFTERMARKET SERVICES CARD

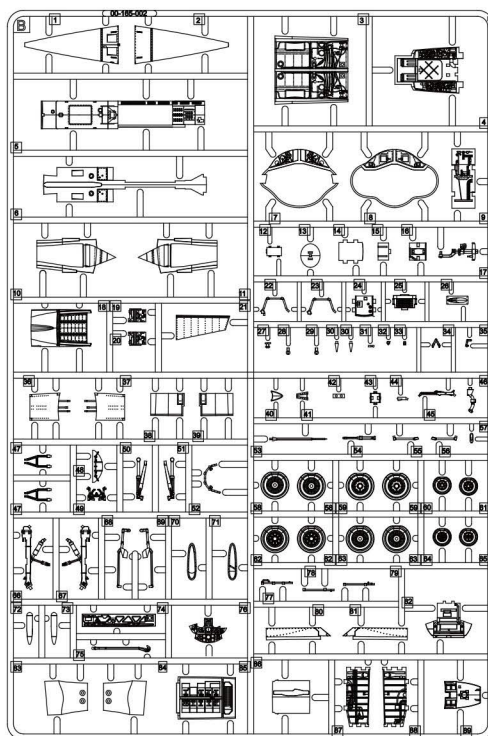
When requesting replacement parts, please take or send this form to your local dealer so that the parts required can be correctly identified. Please note that specifications and availability are subject to change without notice. Or visit <http://www.kineticmodel.com> for latest information. For more information, please contact services@kineticmodel.com

Part Code	K48089	Qty	Item
00-165-001	1/48 F-104G FUESLAGE, COCKPIT, ACCESSORIES	1	A
00-165-002	1/48 F-104 WINGS, TANK ACCESSORIES	1	B
00-165-003	1/48 F-104 NLG,MLG PARTS	2	C
00-165-004	1/48 F-104G/TF-104G CANOPY	1	D
01-165-005	1/48TF-104G FUESLAGE	1	E
01-165-48089	1/48 F-104G GERMANY	1	Decal
03-165-48089	1/48 F-104G GERMANY	1	MANUAL
06-165-48089	1/48 F-104/TF-104 PE	1	PE

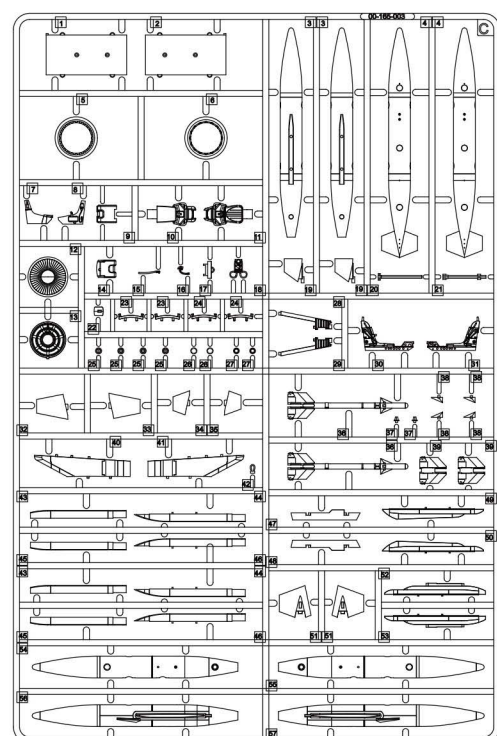
A



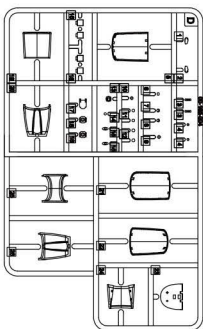
B



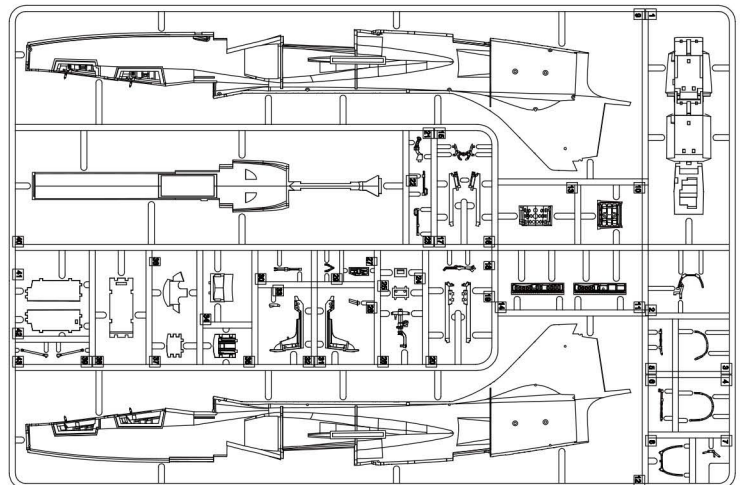
C x2



D



PE

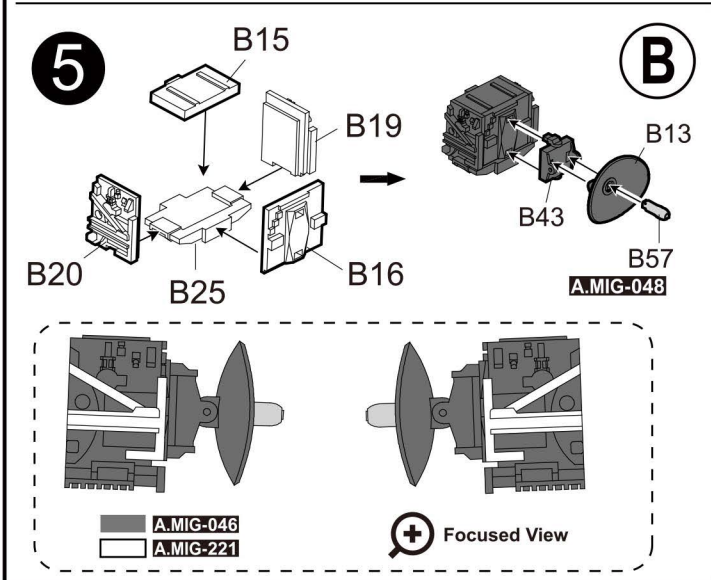
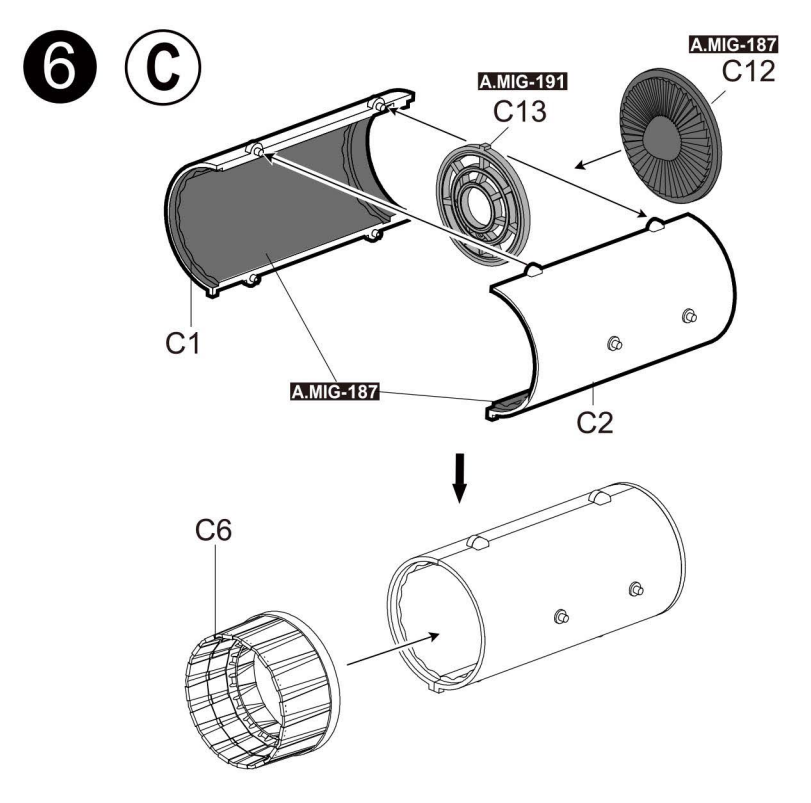
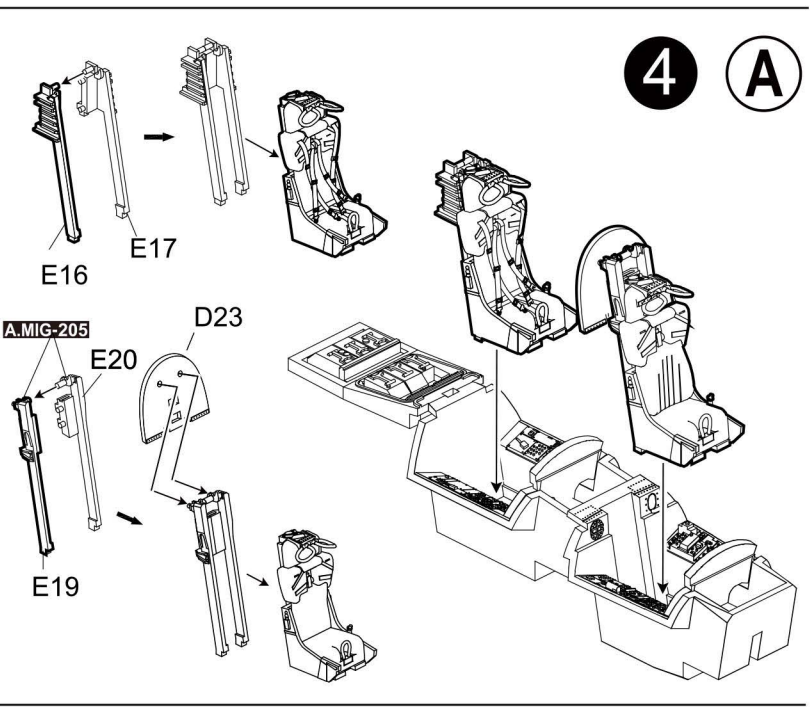
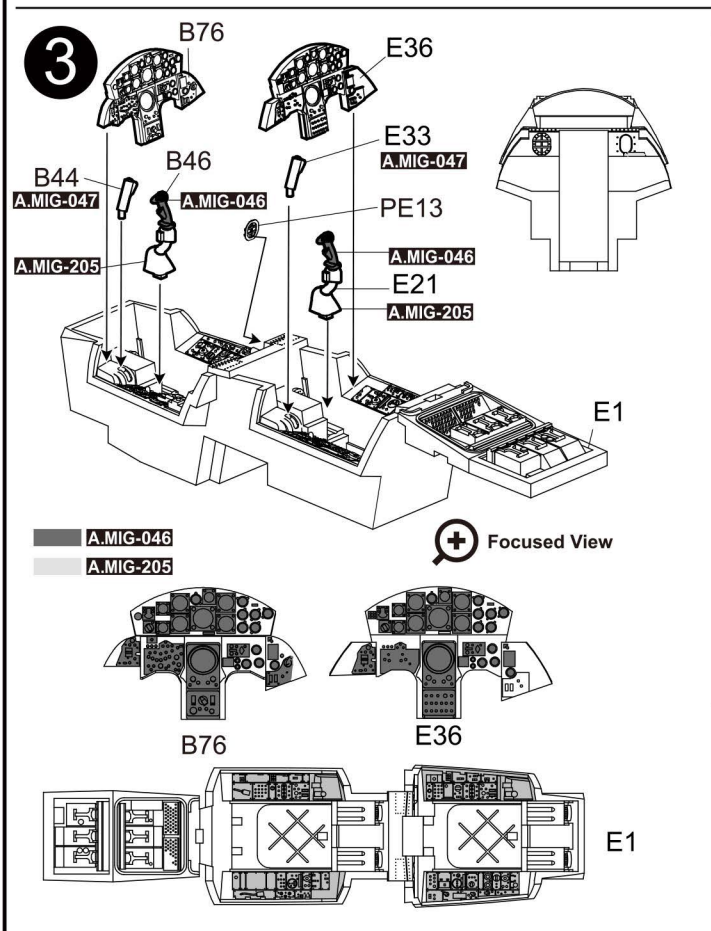
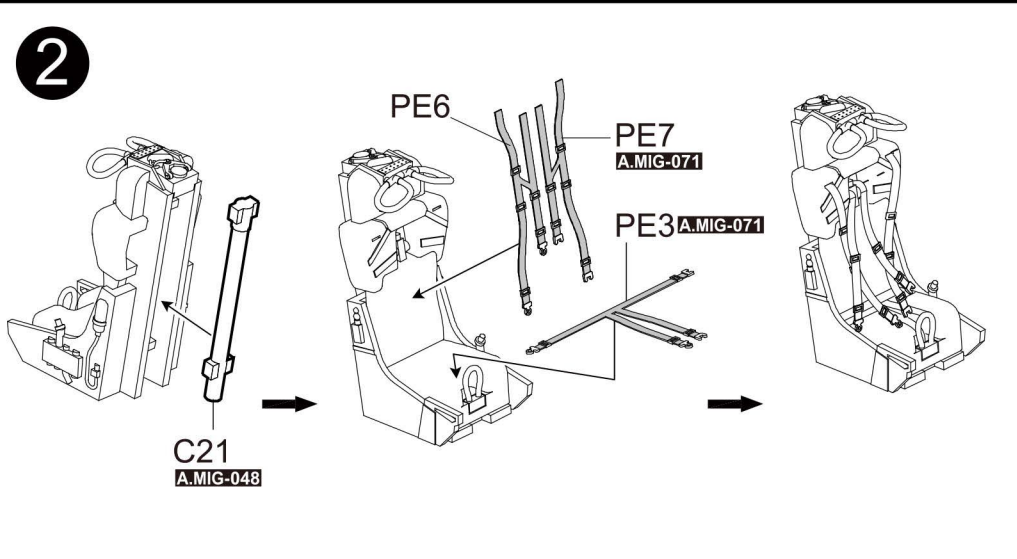
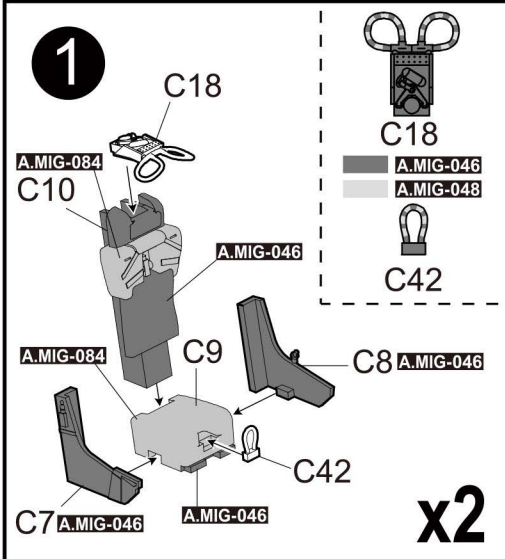


E

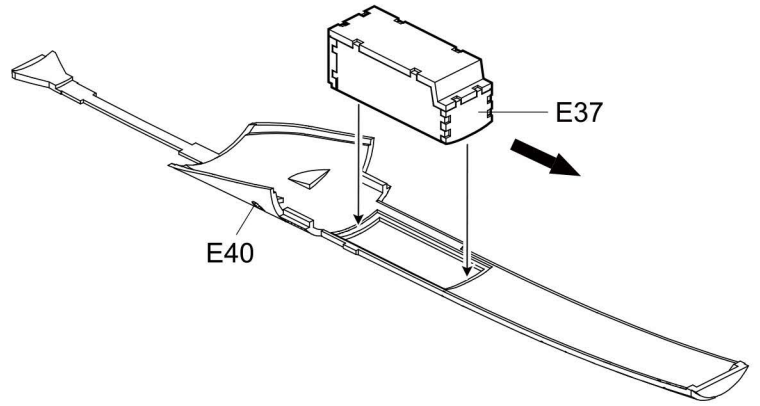
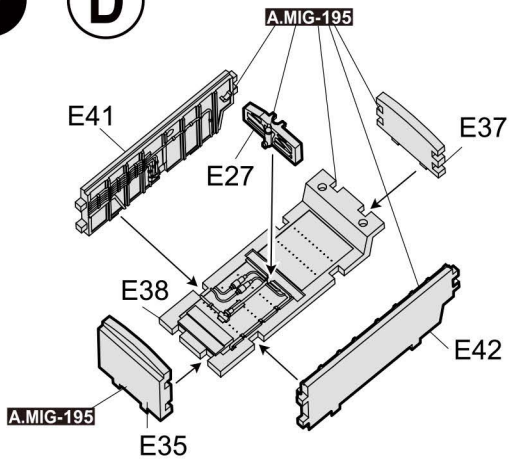


COLOR	AMMO MIG	VALLEJO MODEL COLOR	GSI CREOS MR. COLOR	TAMIYA ENAMEL/ACRYLIC	HUMBROL ENAMEL
RUBBER & TIRES	A.MIG-033	70.306	137	XF-85	-
MATT BALCK	A.MIG-046	71.057	33	XF-1	33
SATIN WHITE	A.MIG-047	70.842	1	X-2	22
YELLOW	A.MIG-048	71.002	4	XF-3	69
KHAKI	A.MIG-071	70.339	H404	XF-49	26
NATO GREEN	A.MIG-084	71.093	54	XF-67	117
RAL 6014 GELBOLIV	A.MIG-087	70.877	-	-	-
CRYSTAL GREEN	A.MIG-092	70.936	138	X-25	-
CRYSTAL RED	A.MIG-093	70.934	47	X-27	220
CRYSTAL LIGHT BLUE	A.MIG-187	71.073	61	XF-4	-
STEEL	A.MIG-191	70.864	28	-	27003
SILVER	A.MIG-195	71.063	8	X-11	11
FS 26231	A.MIG-205	71.051	317	-	27
FS36152 DARK GREY AMT-12	A.MIG-235	71.308	32	XF-75	-
MATT ALUMINUM	A.MIG-194	71.062	218	XF-16	56
RAL 2005 Luminous Orange	A.MIG-129	70.733	59	-	-
OLIVGRÜN OPT.1	A.MIG-001	70.888	-	XF-61	-
DUNKELGRAU	A.MIG-008	70.862	H-401	-	-

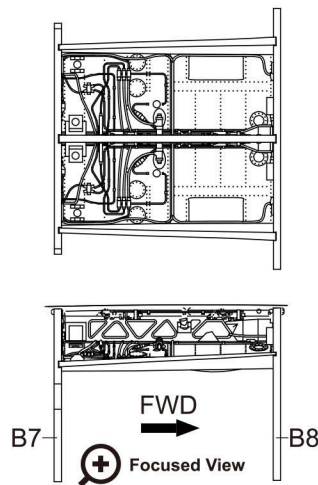
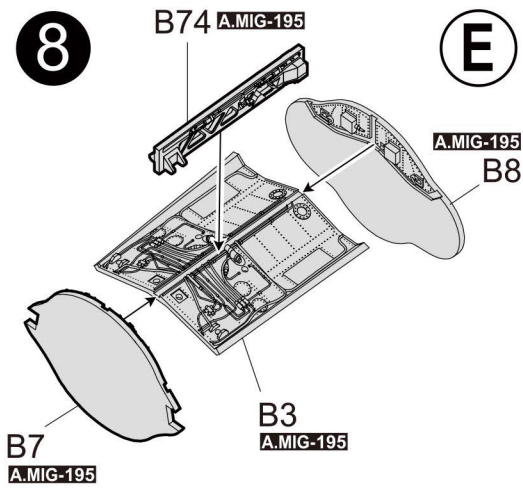
For Color Profile, please go to www.kineticmodel.com for download
(type the kit# and go for manual/painting guide)



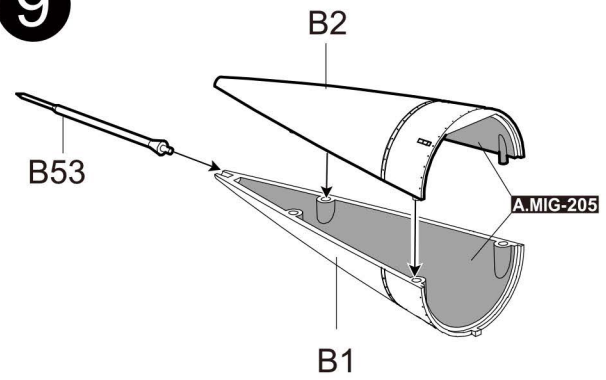
7 **D**



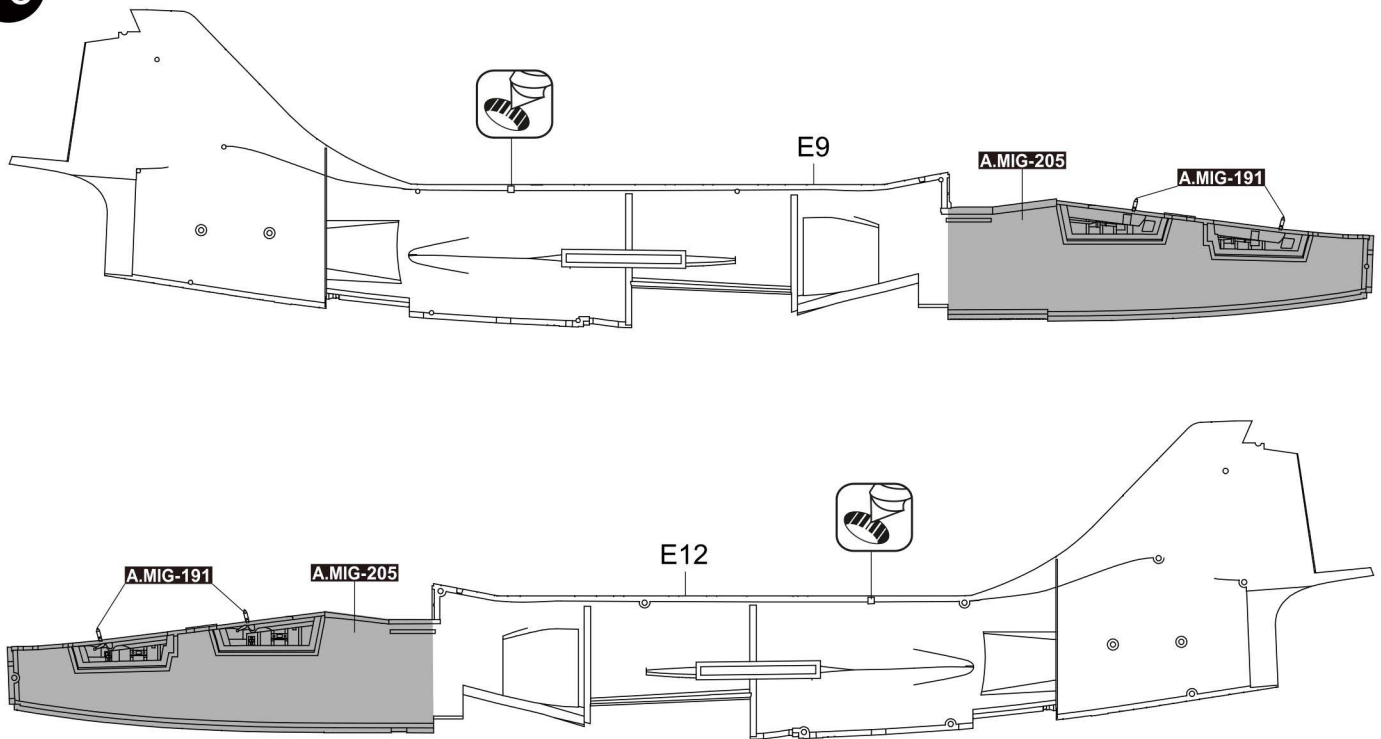
8 **E**



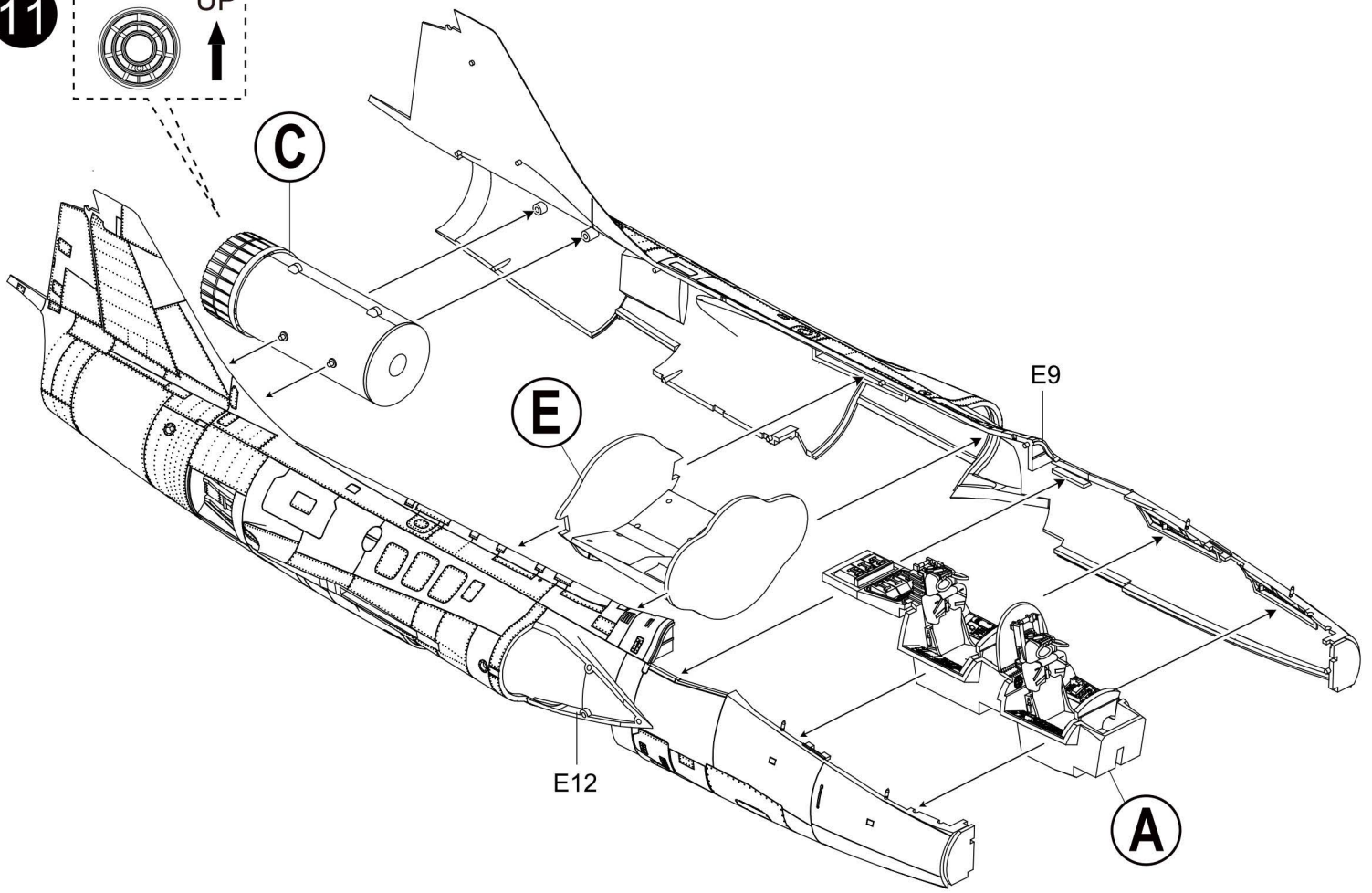
9



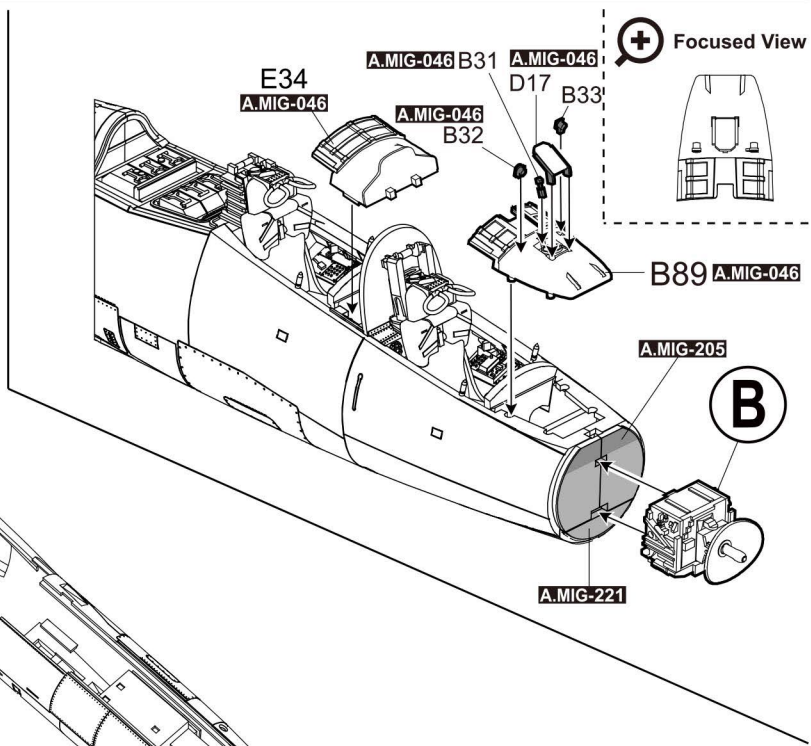
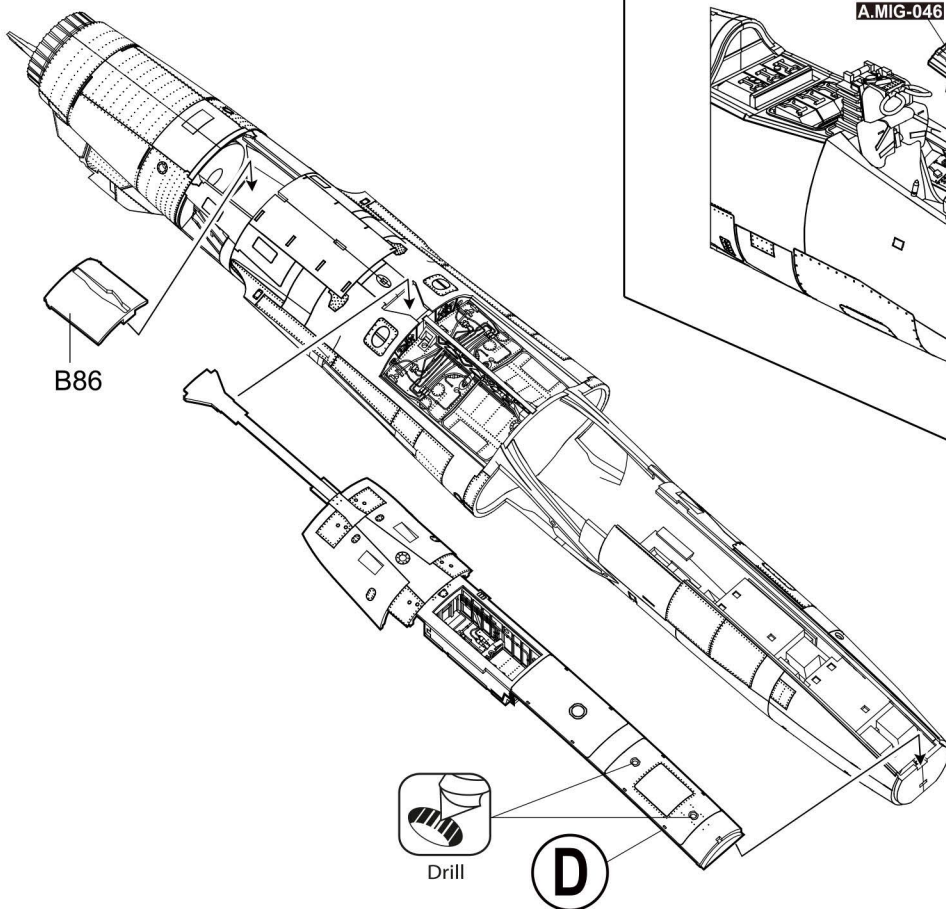
10



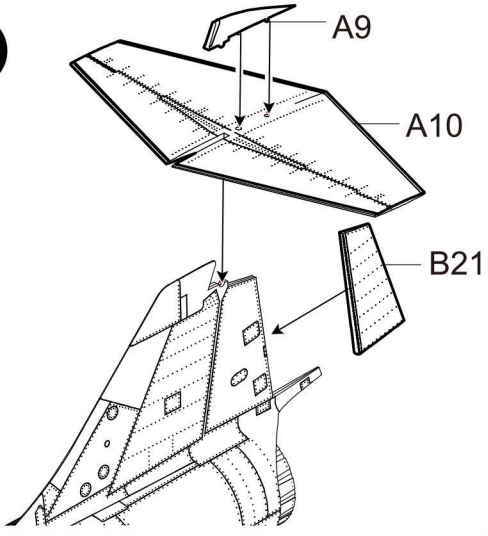
11



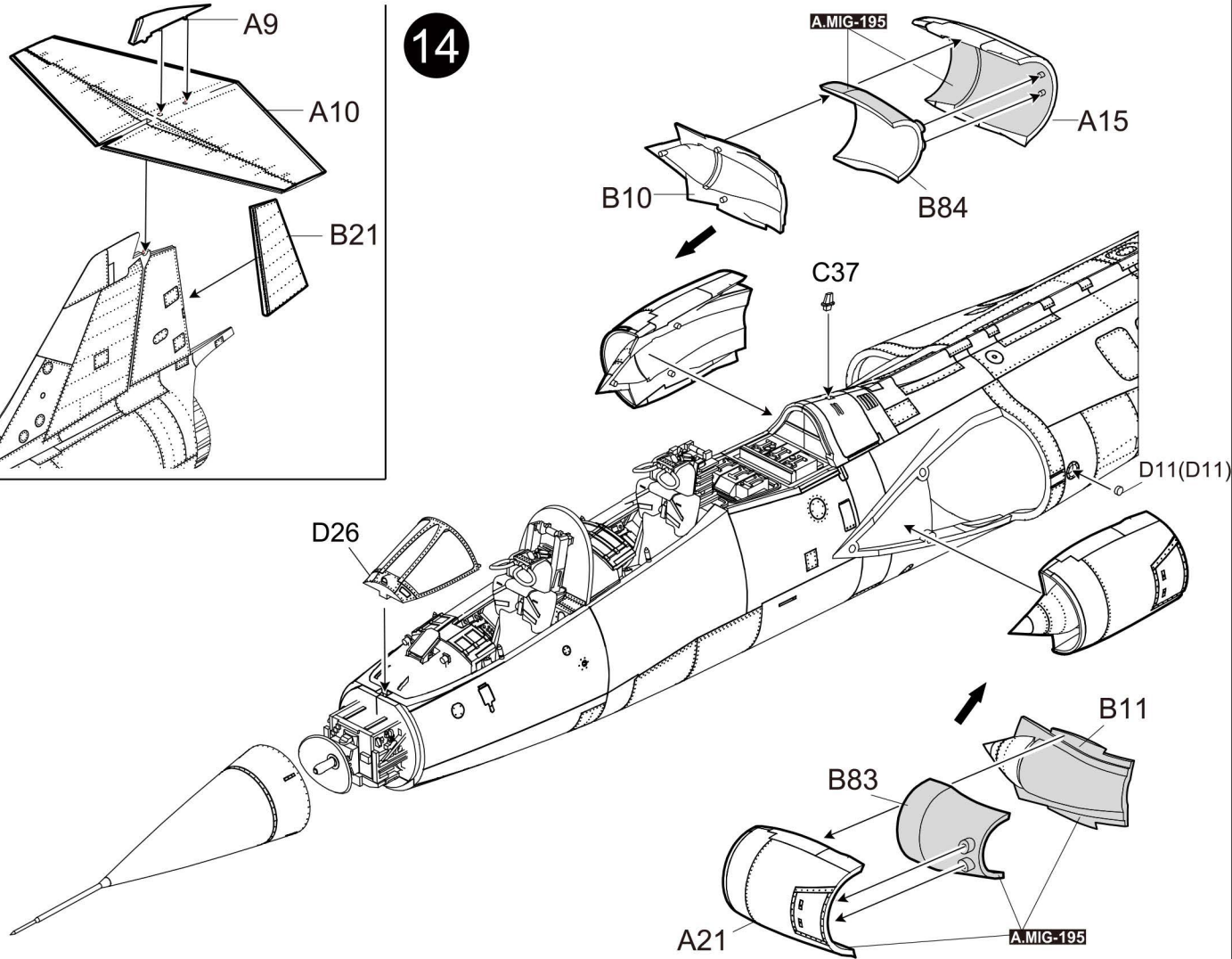
12



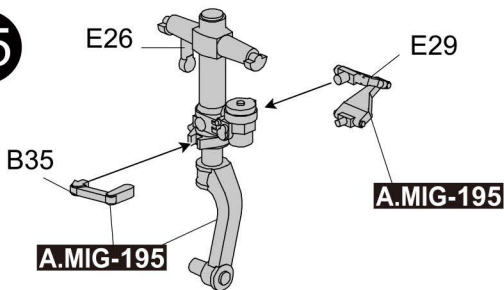
13



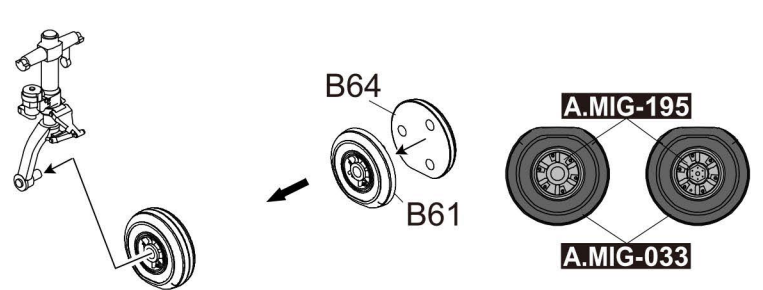
14



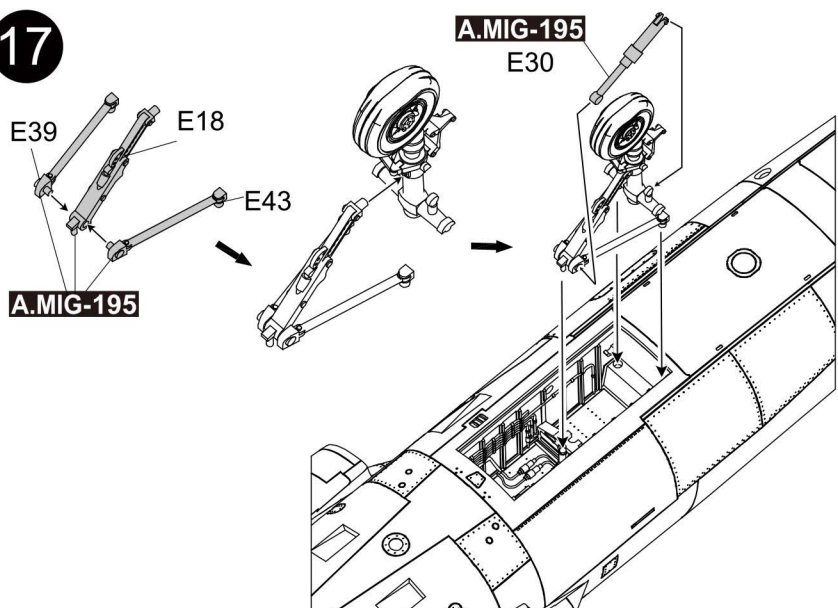
15



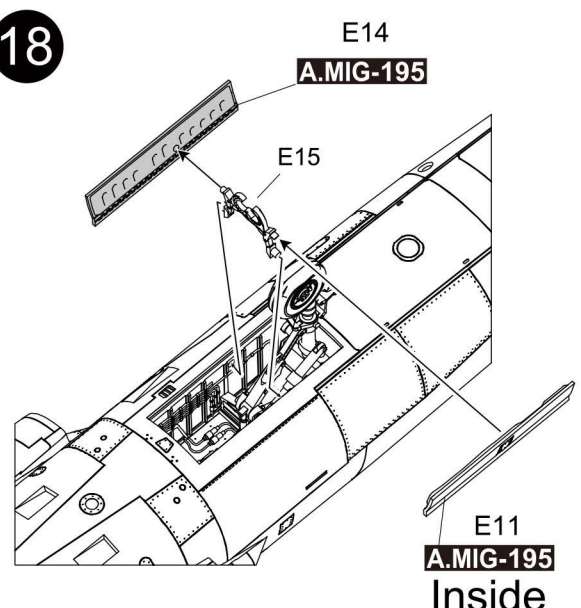
16



17

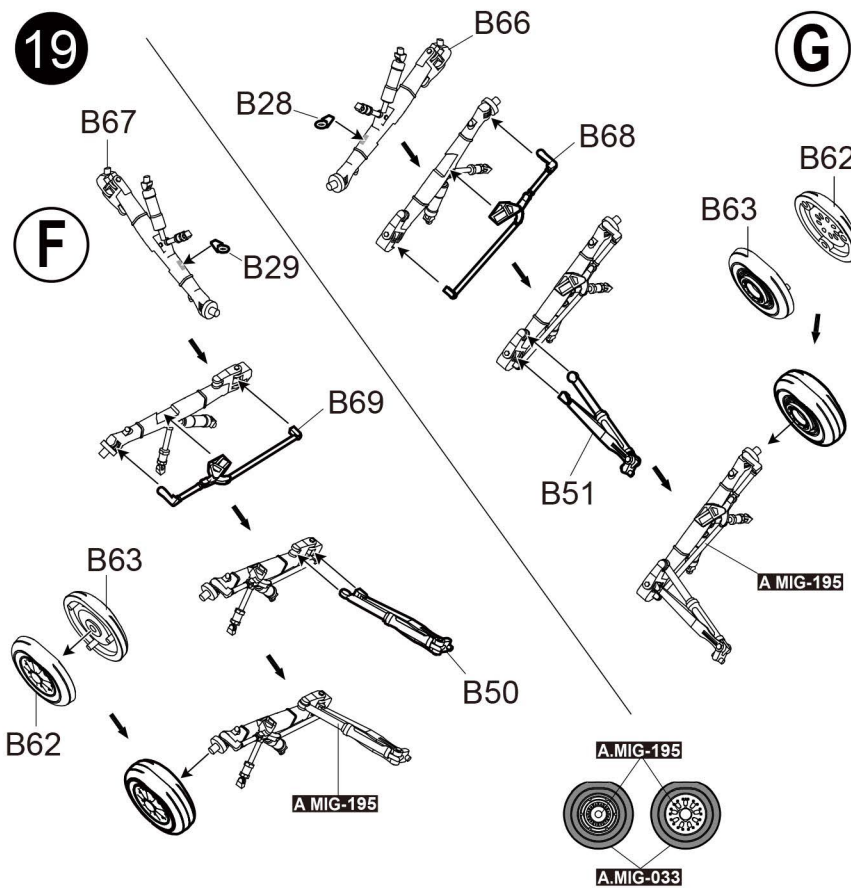


18

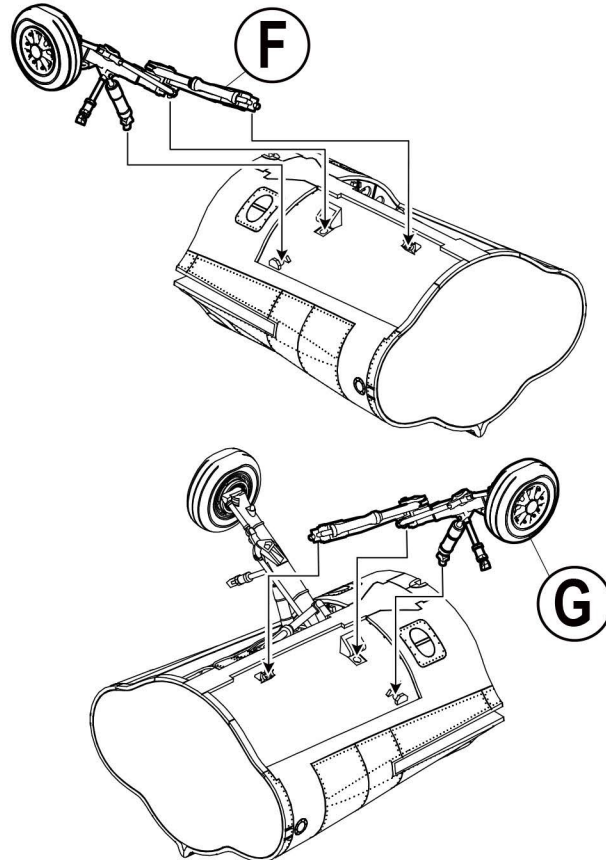


19

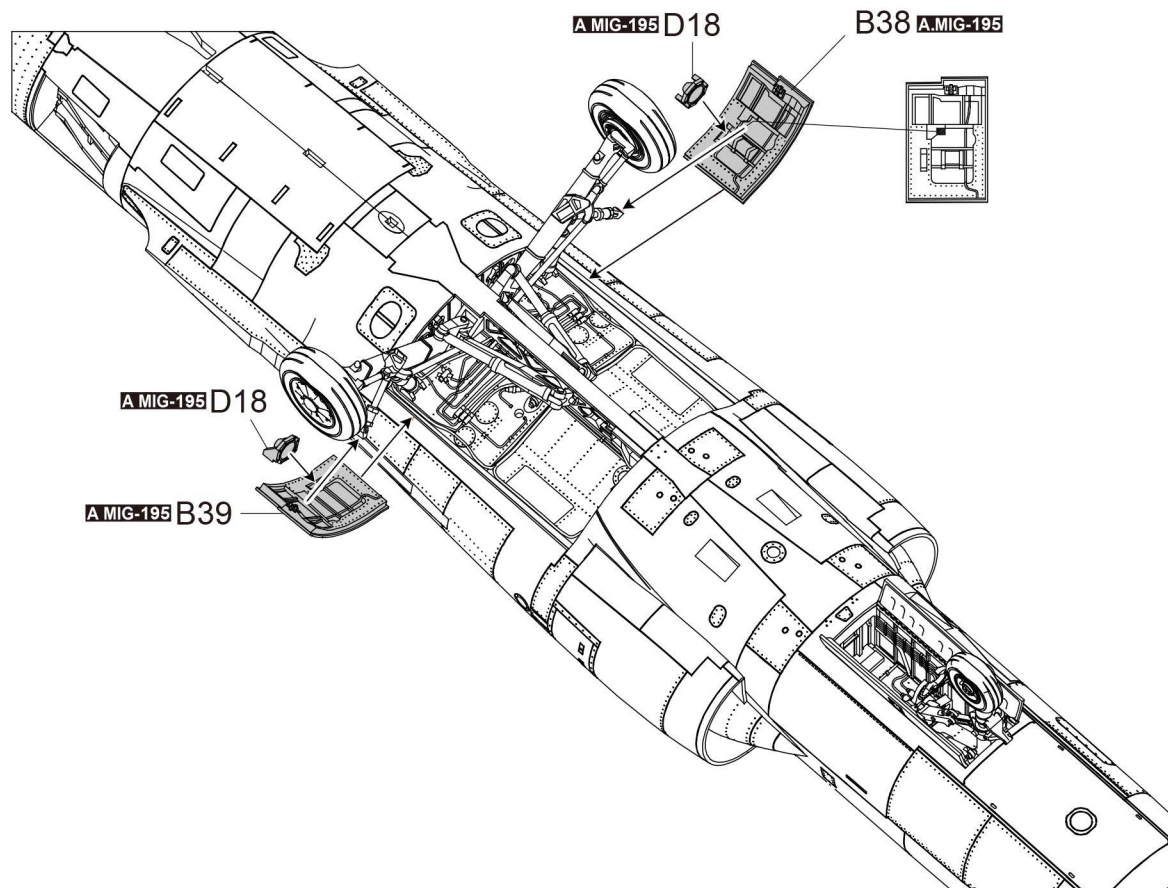
F



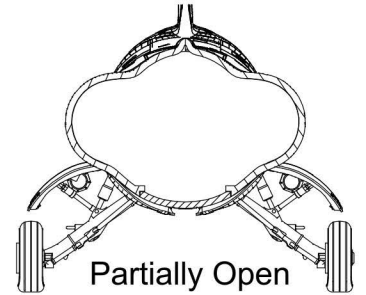
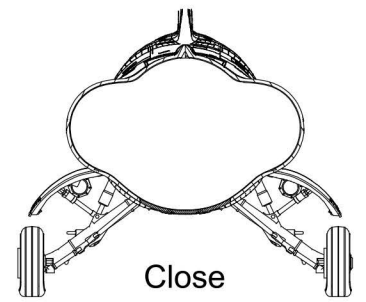
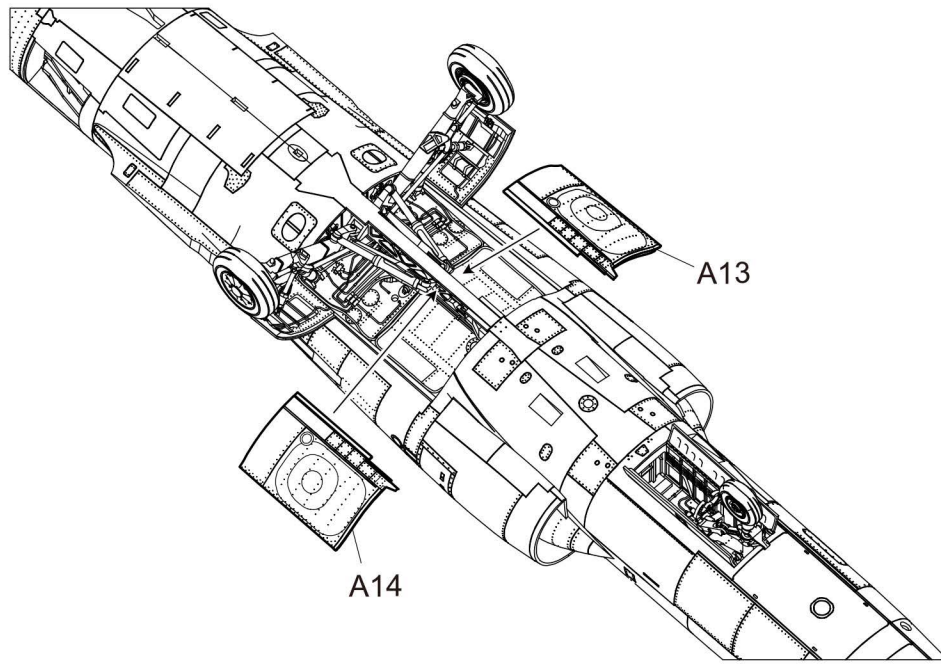
G



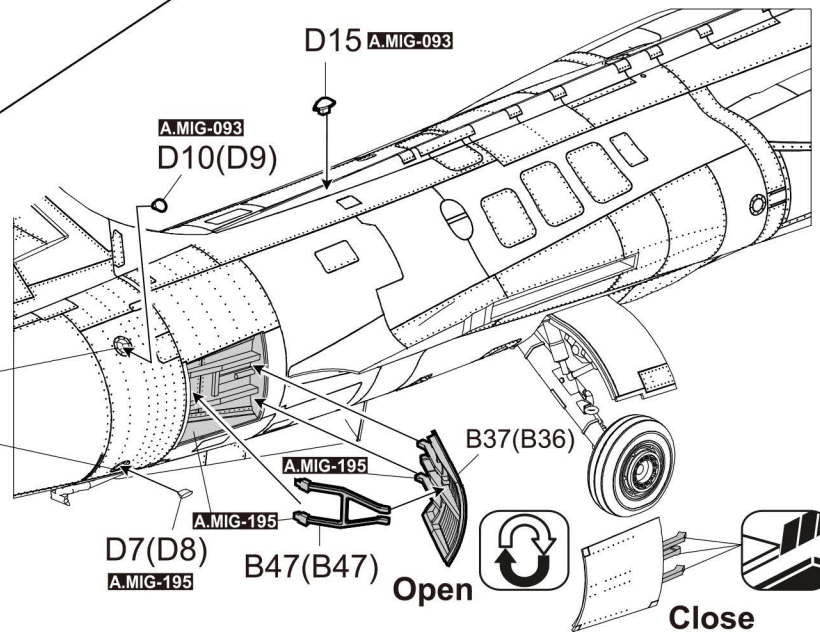
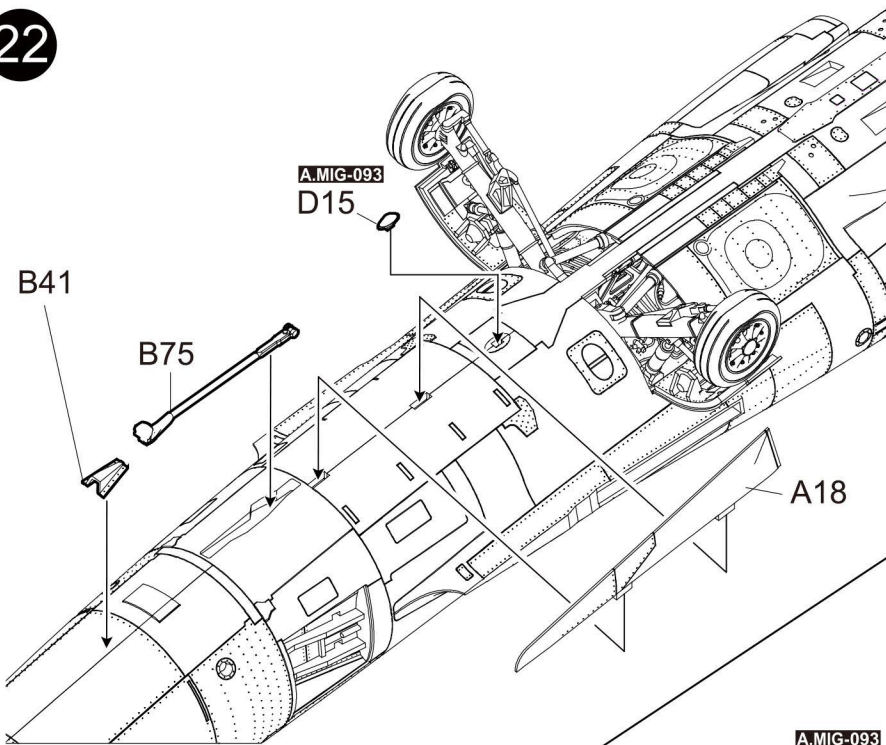
20



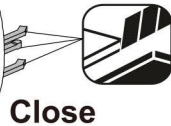
21



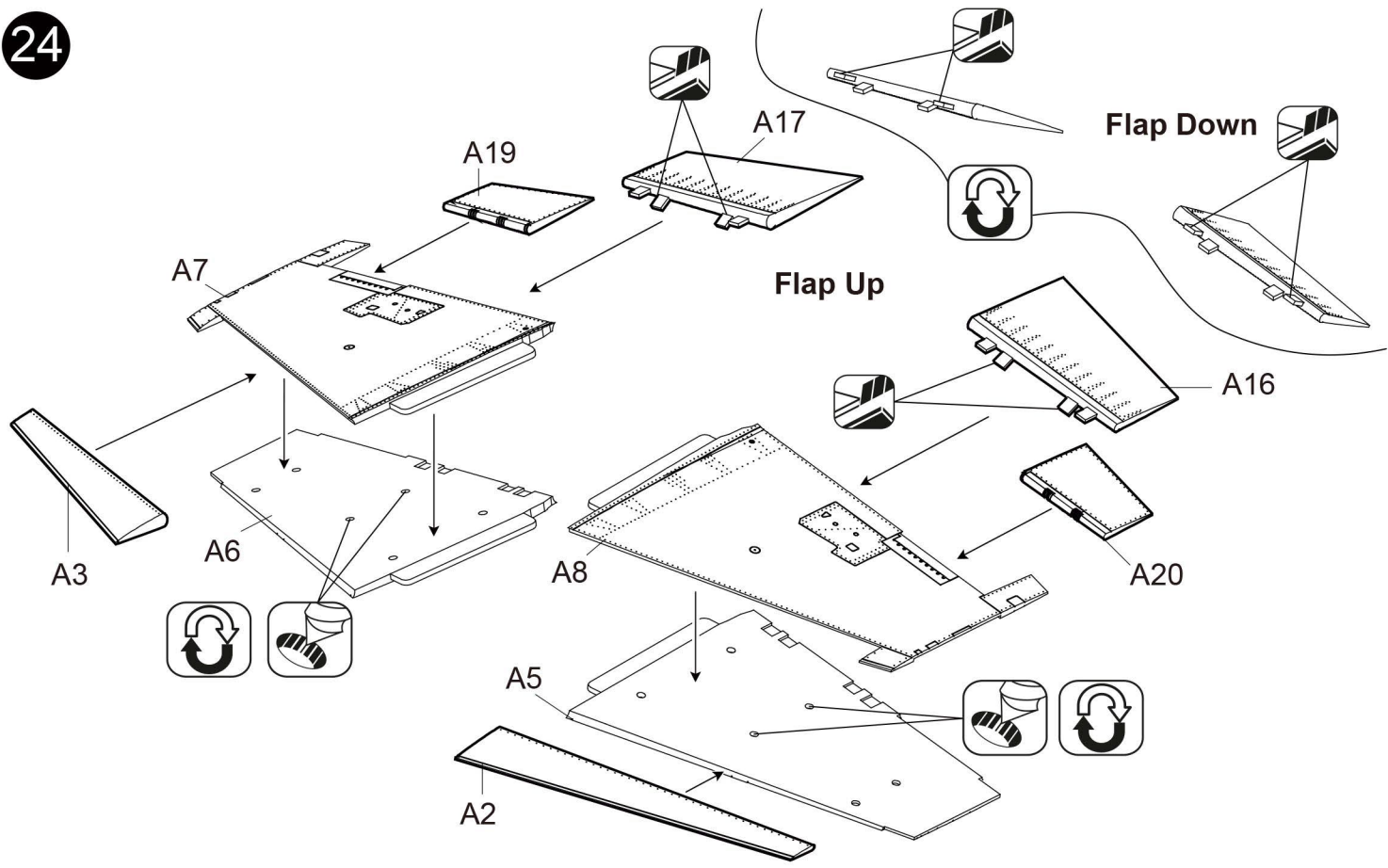
22



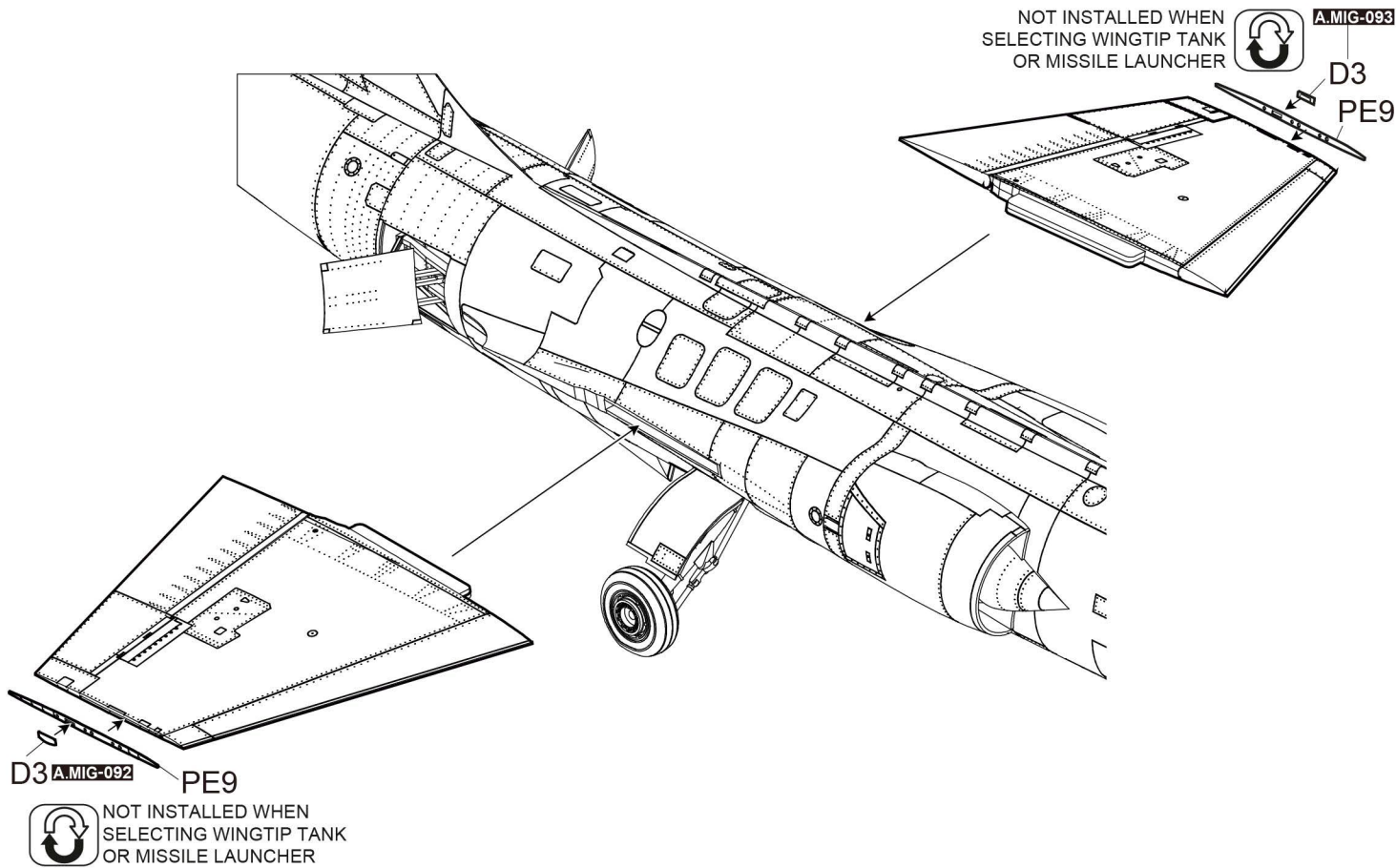
23



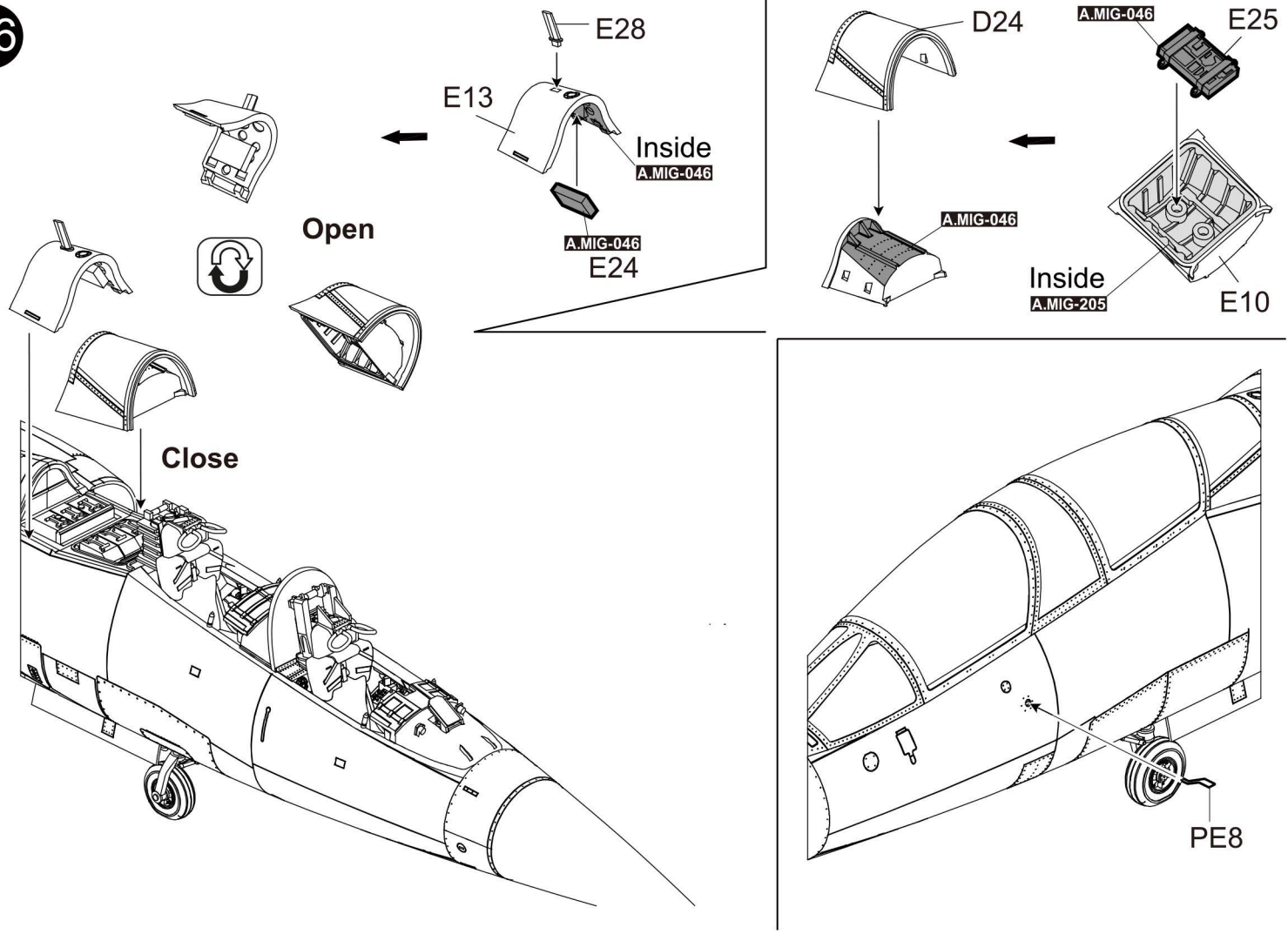
24



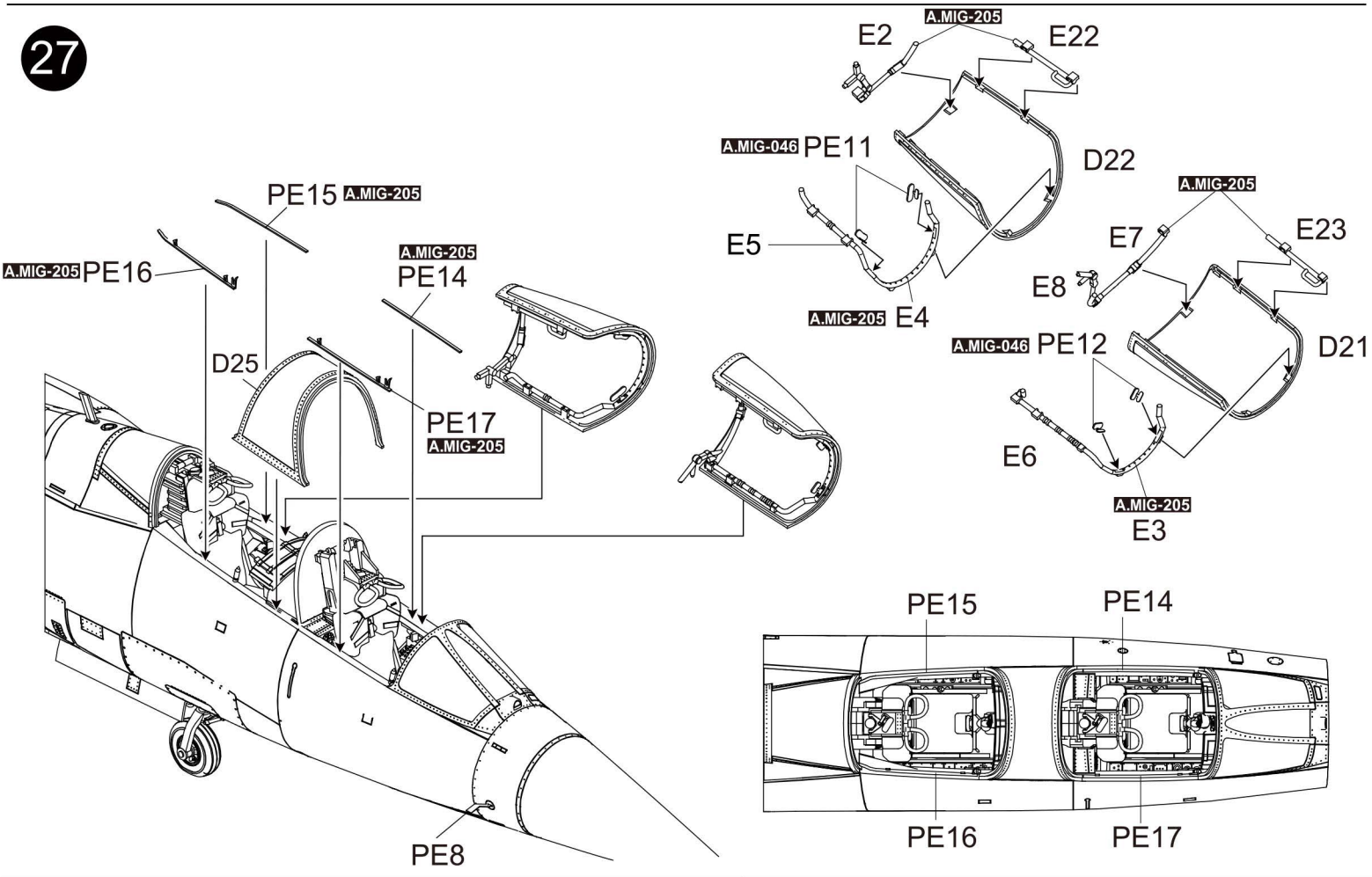
25



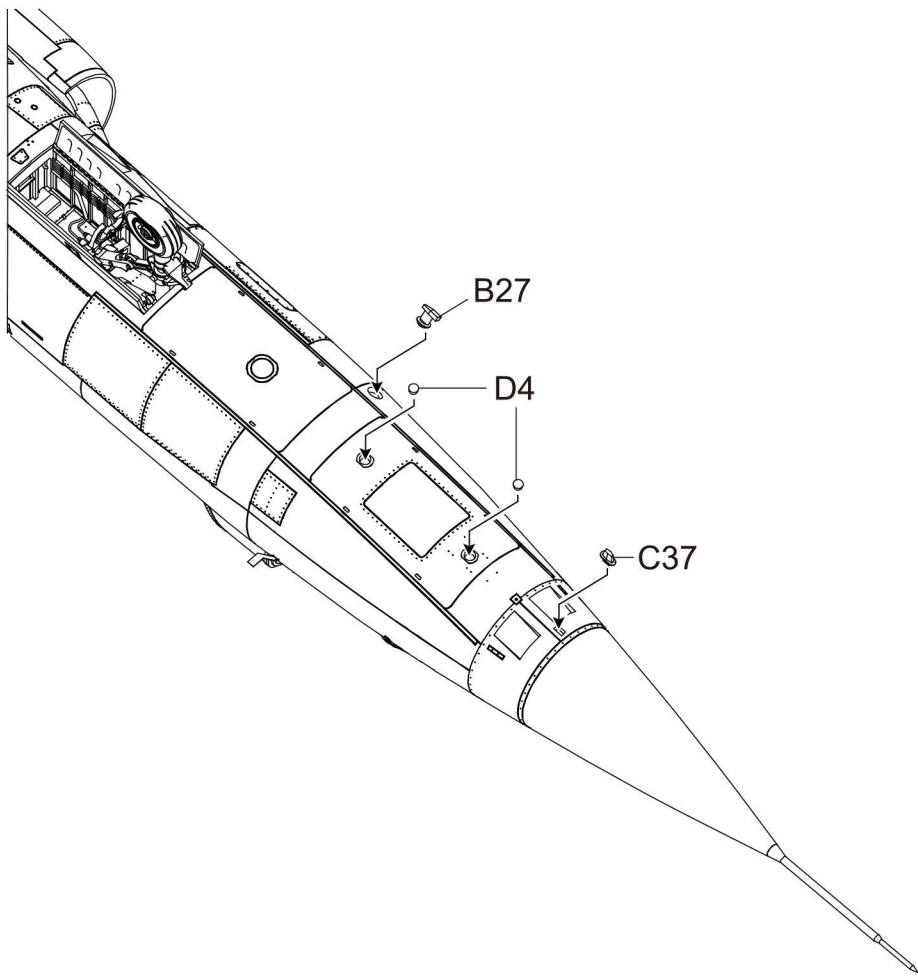
26



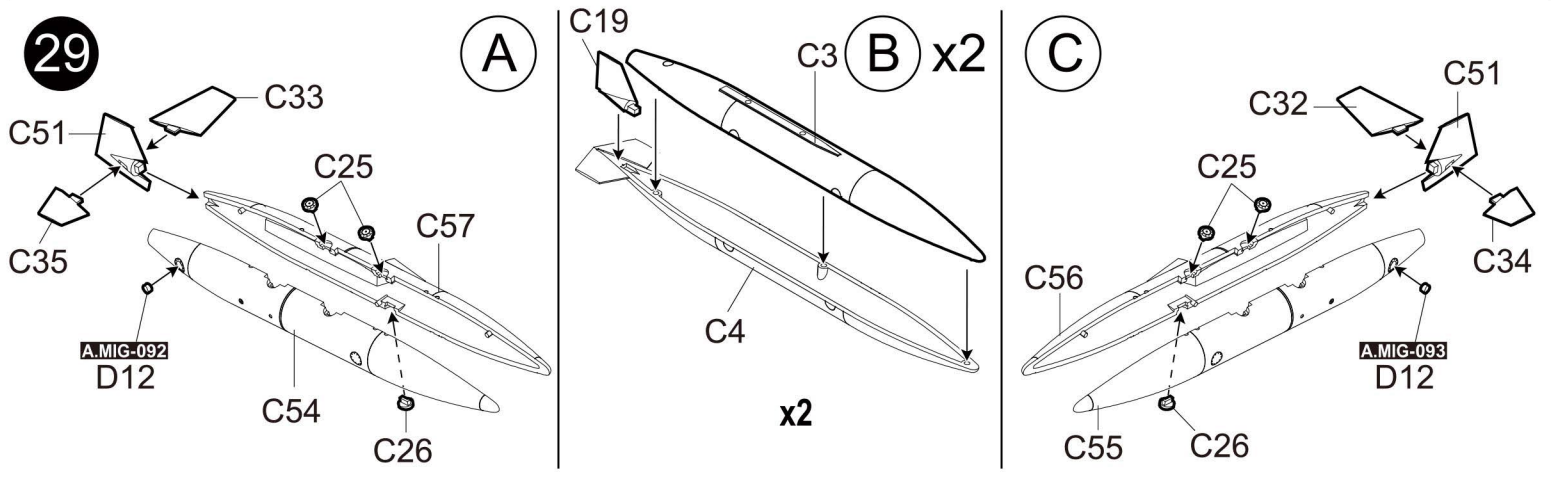
27

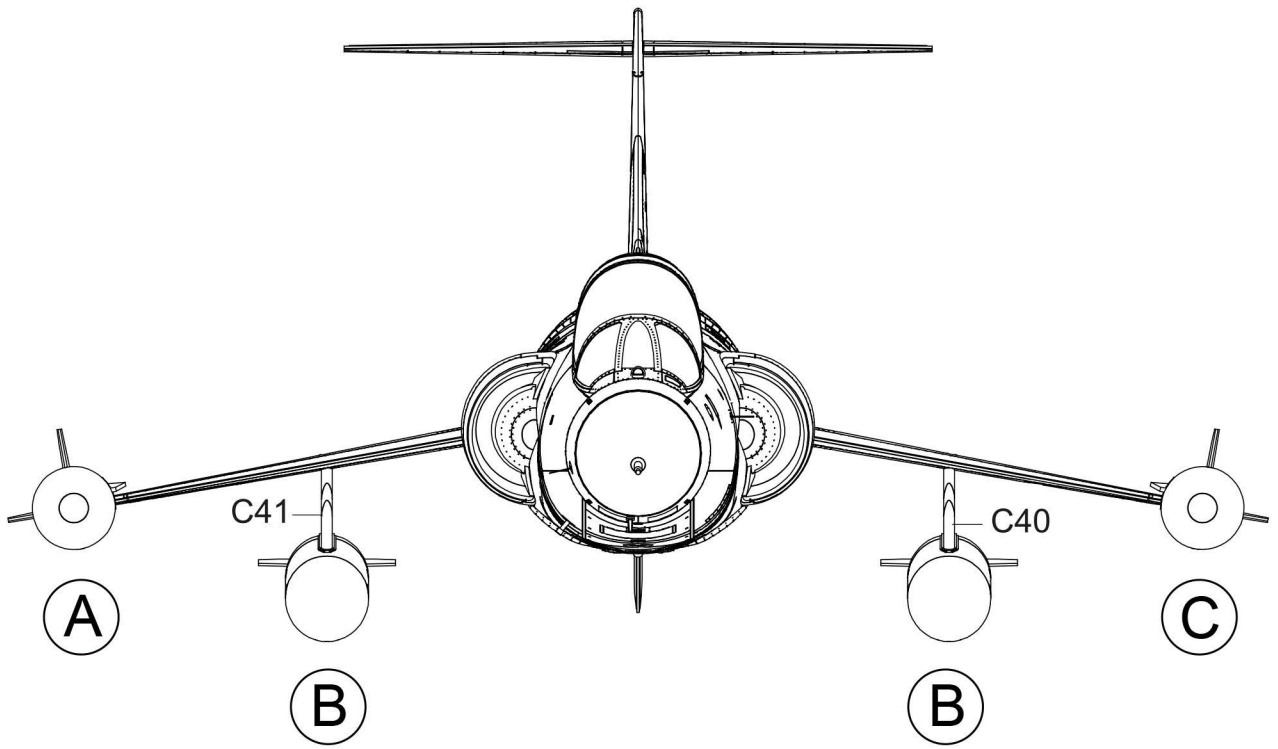


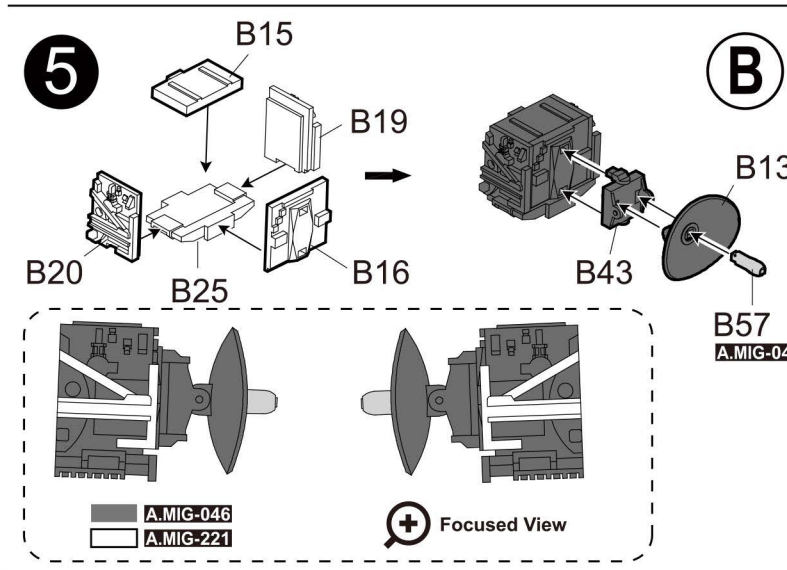
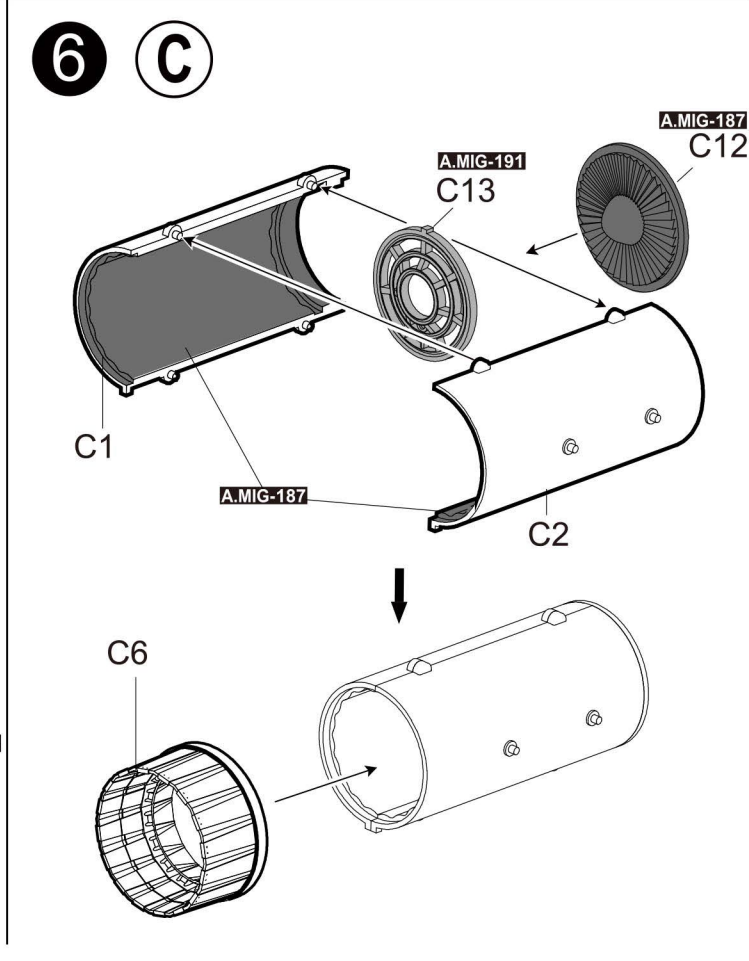
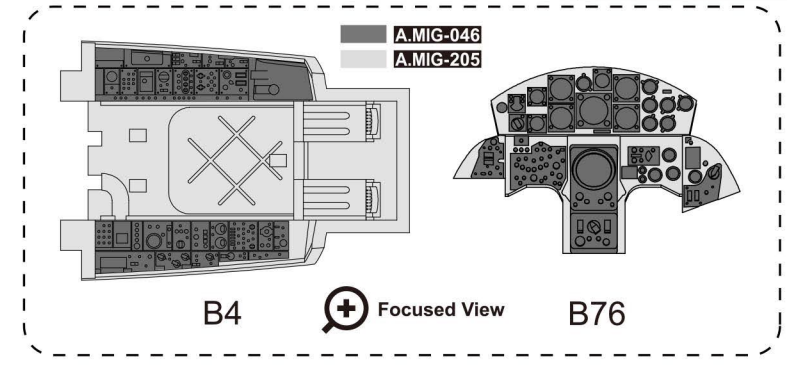
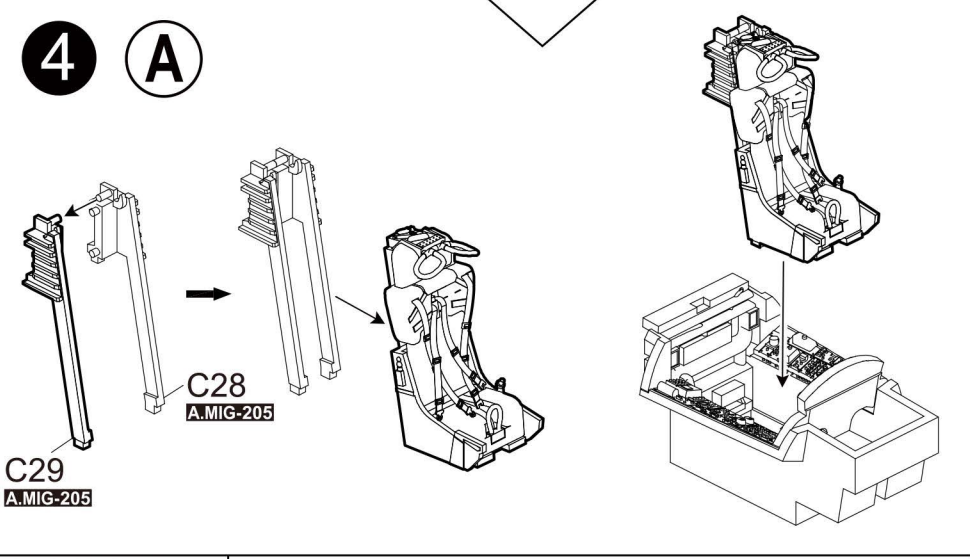
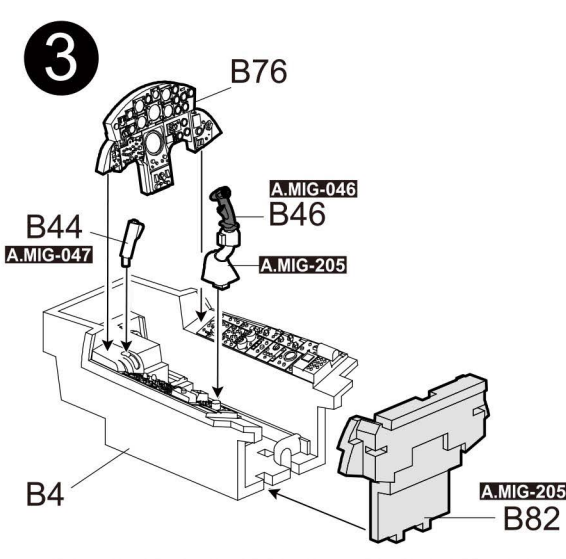
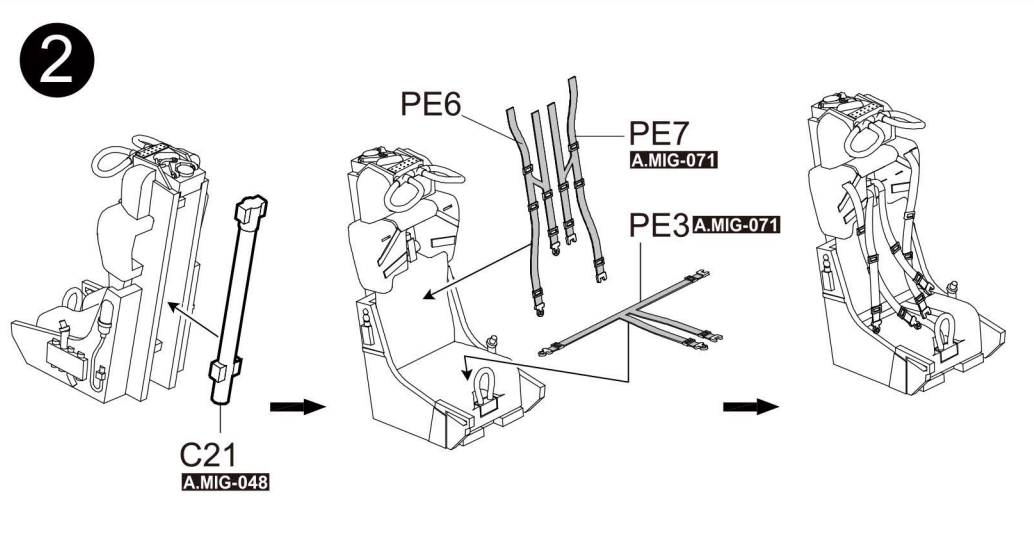
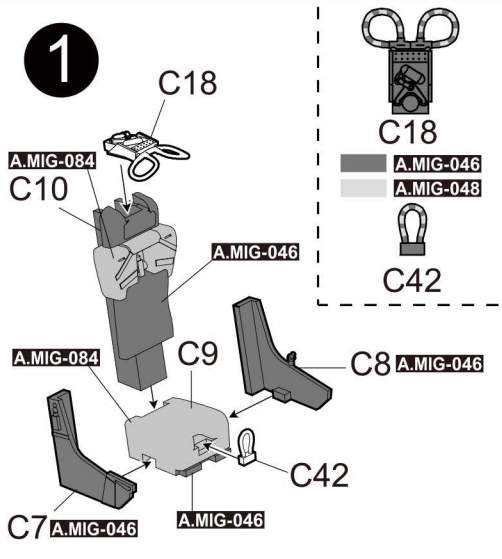
28

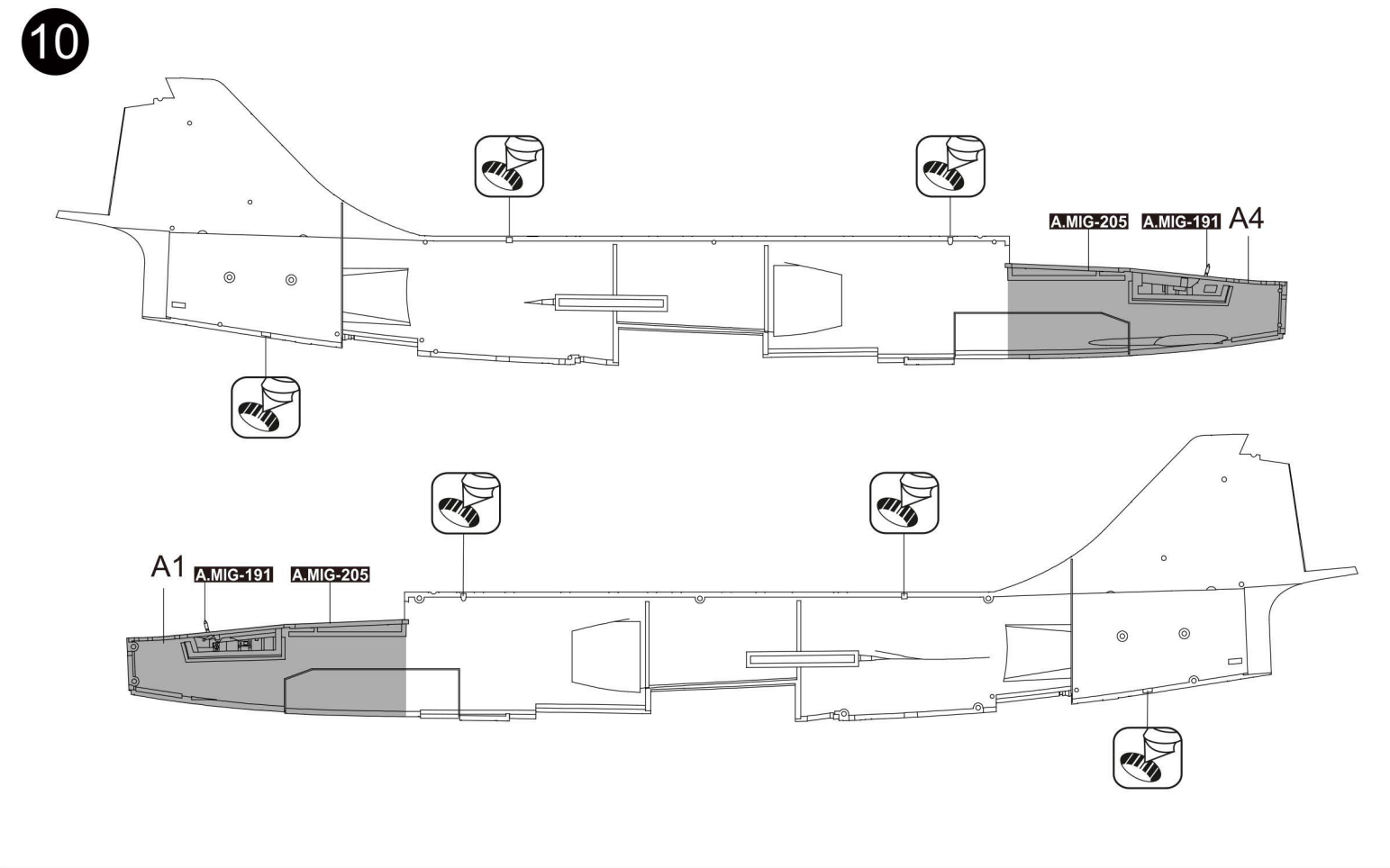
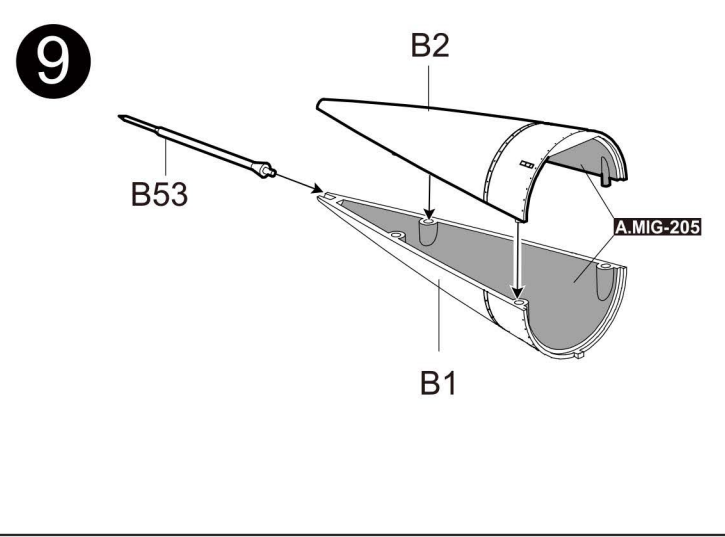
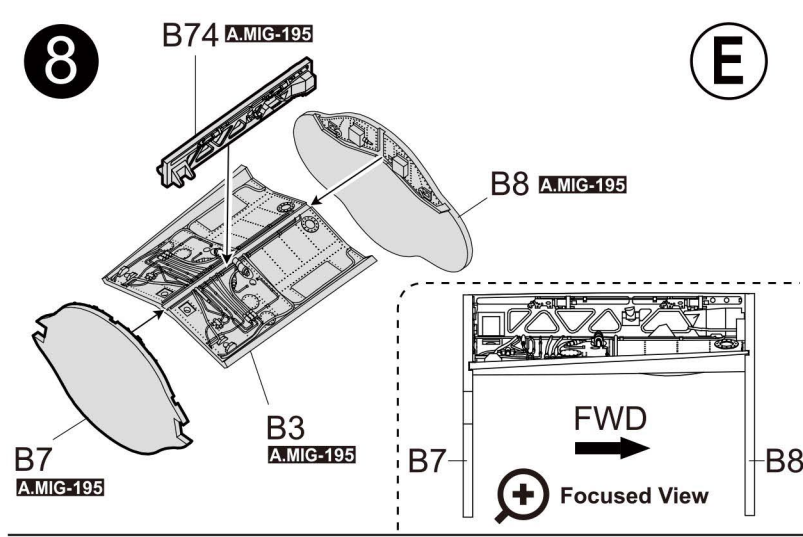
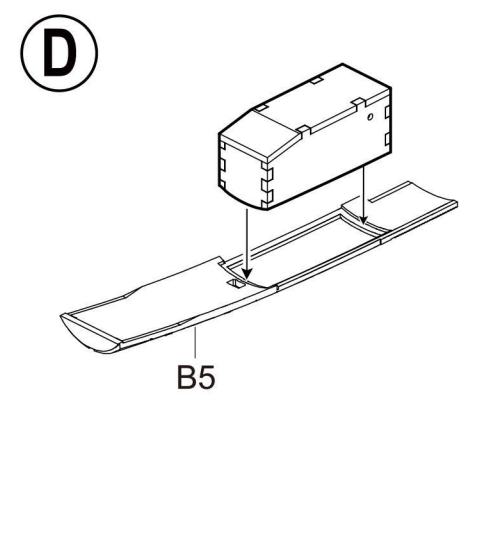
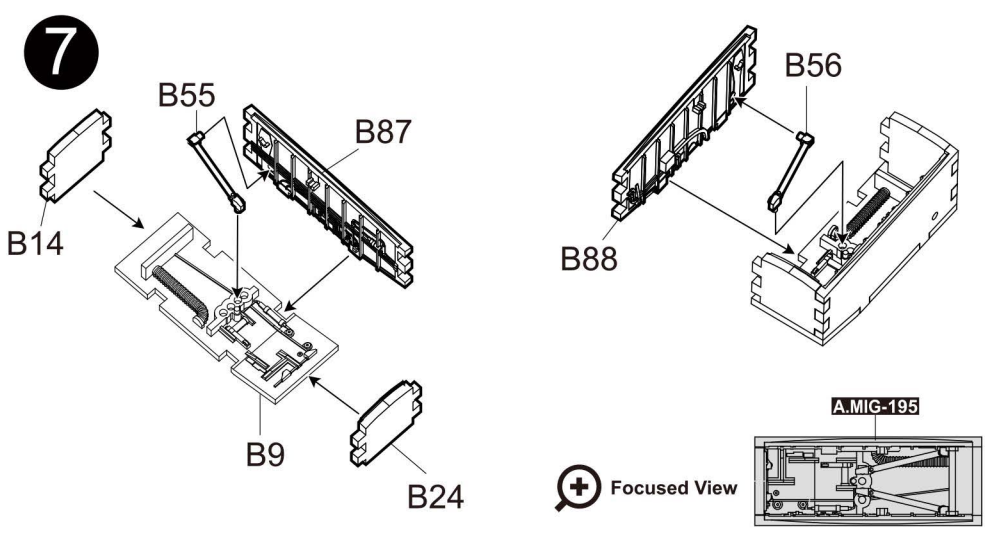


29

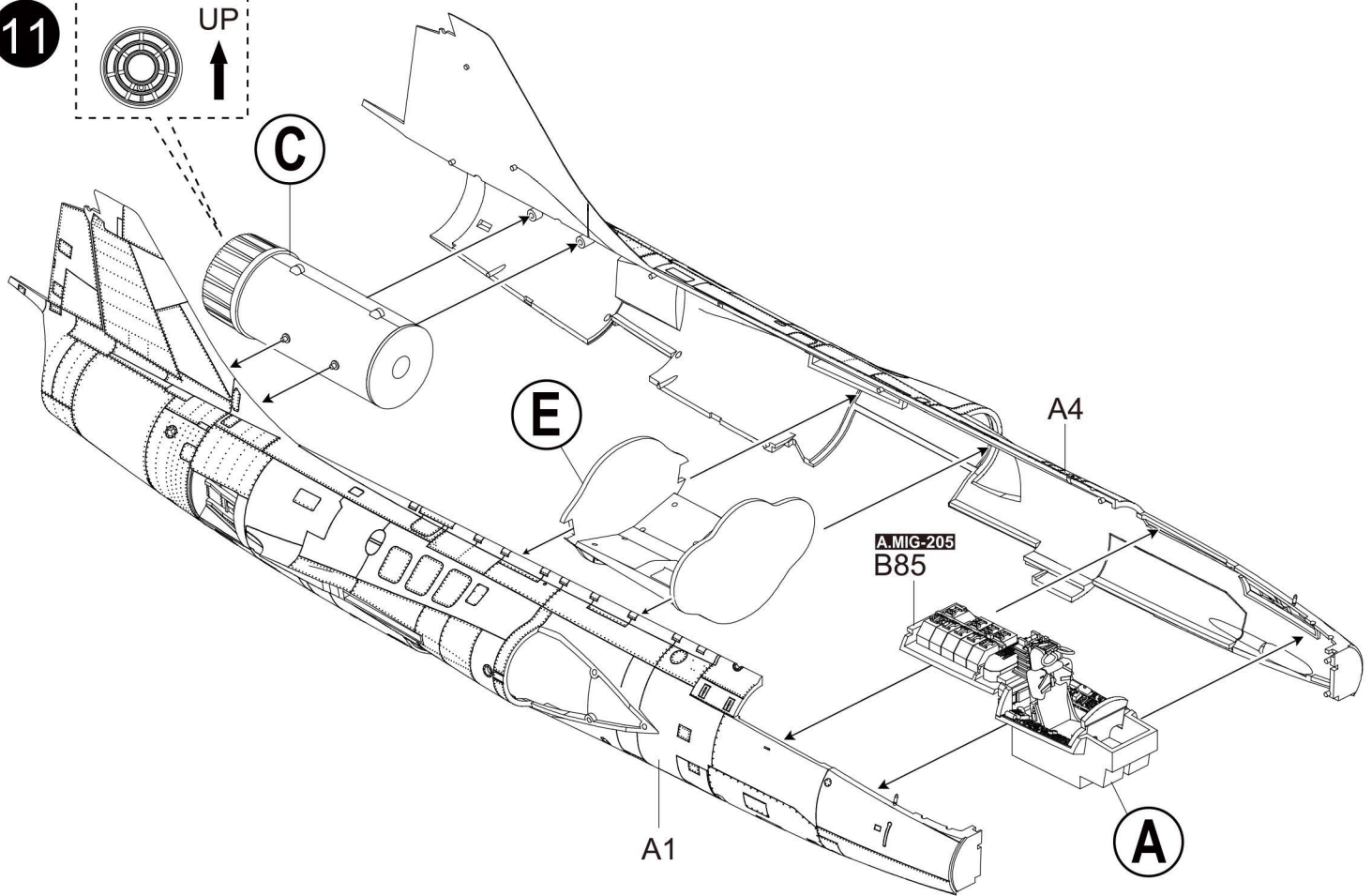




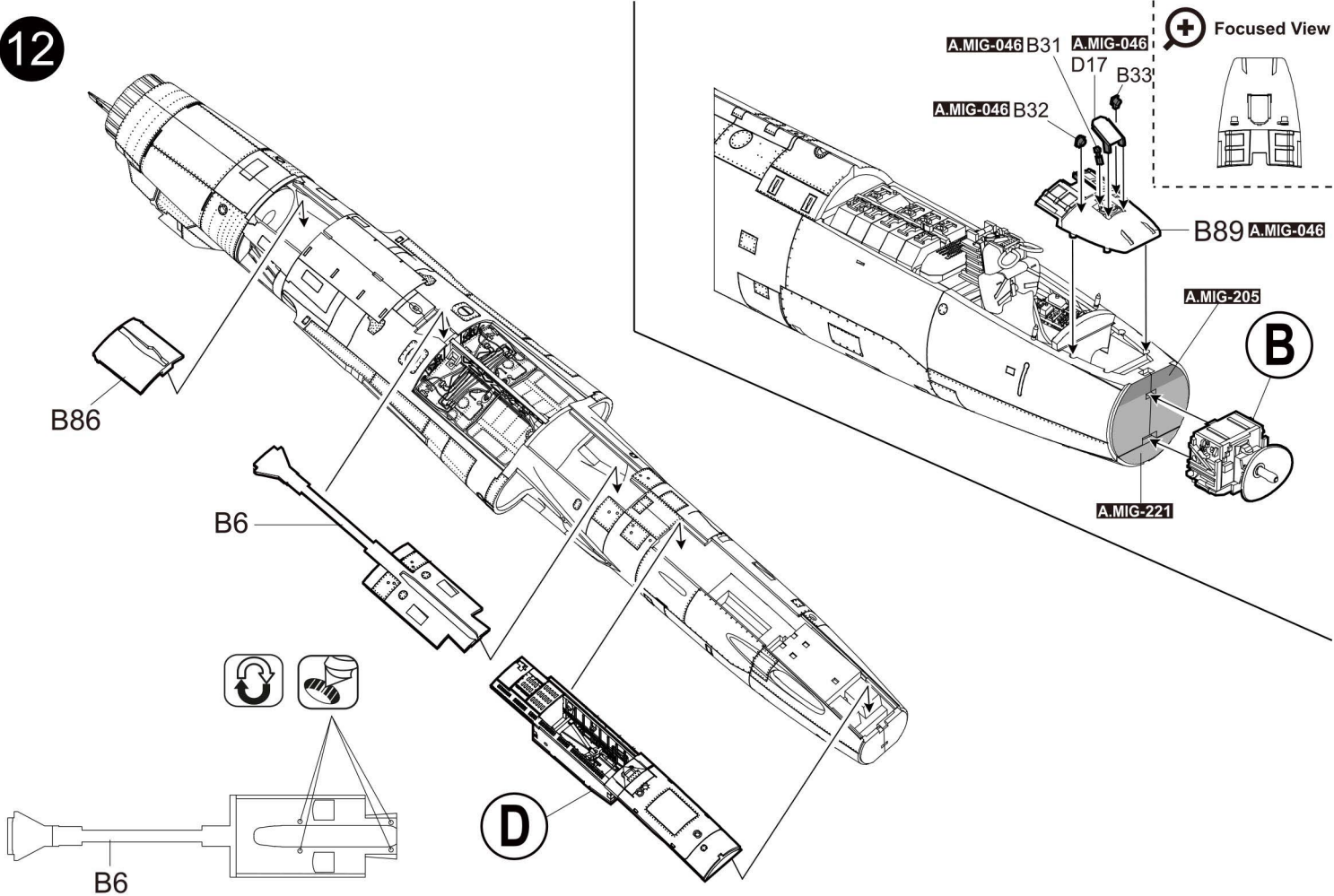




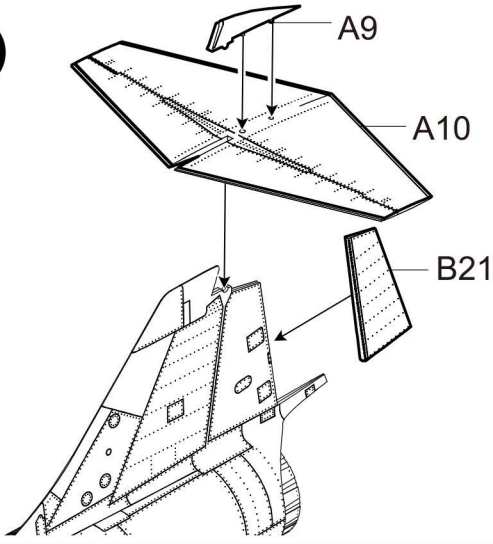
11



12

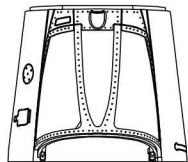


13



14

Focused View



D20

A.MIG-205



D20

A.MIG-195

B10

B84

A15

A.MIG-093
D11(D11)

(A.MIG-092)

B71

B70

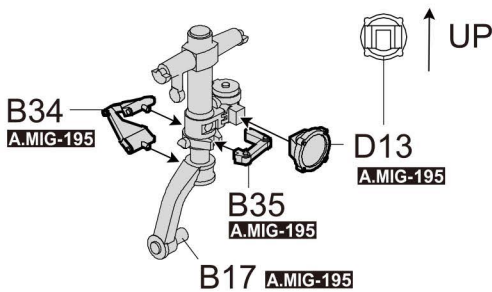
B11

B83

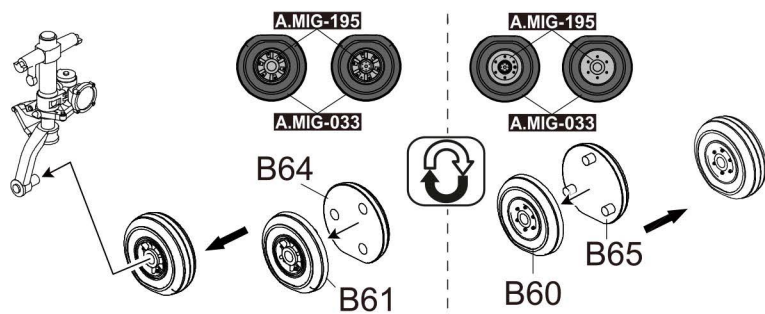
A21

A.MIG-195

15



16



A.MIG-195

A.MIG-033

B64

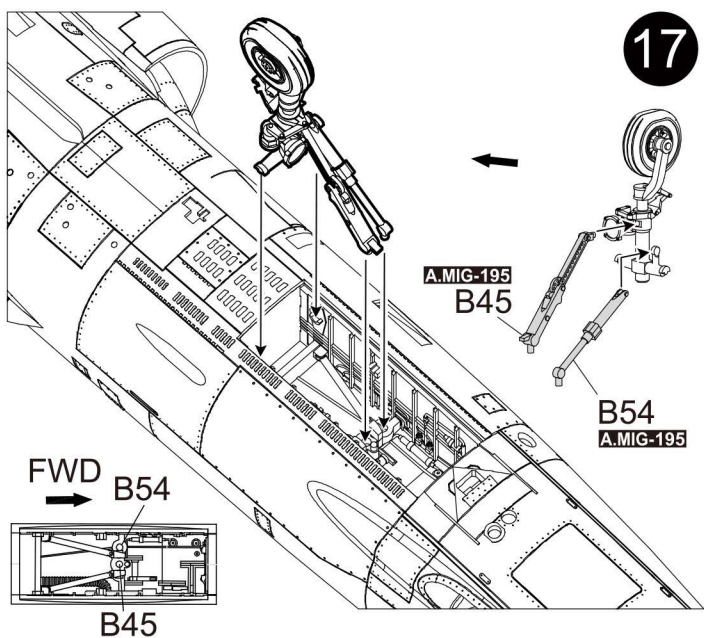
B61

A.MIG-195

A.MIG-033

B60

B65



17

A.MIG-195

B45

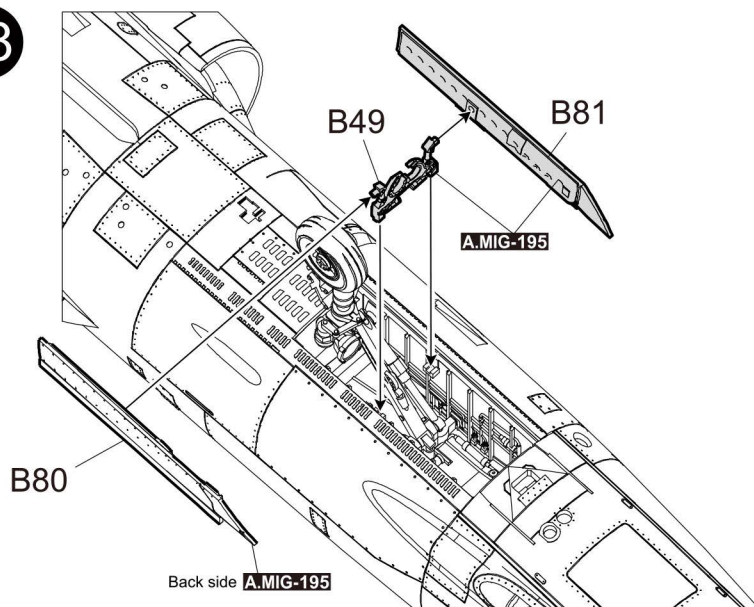
B54

A.MIG-195

FWD

B45

18



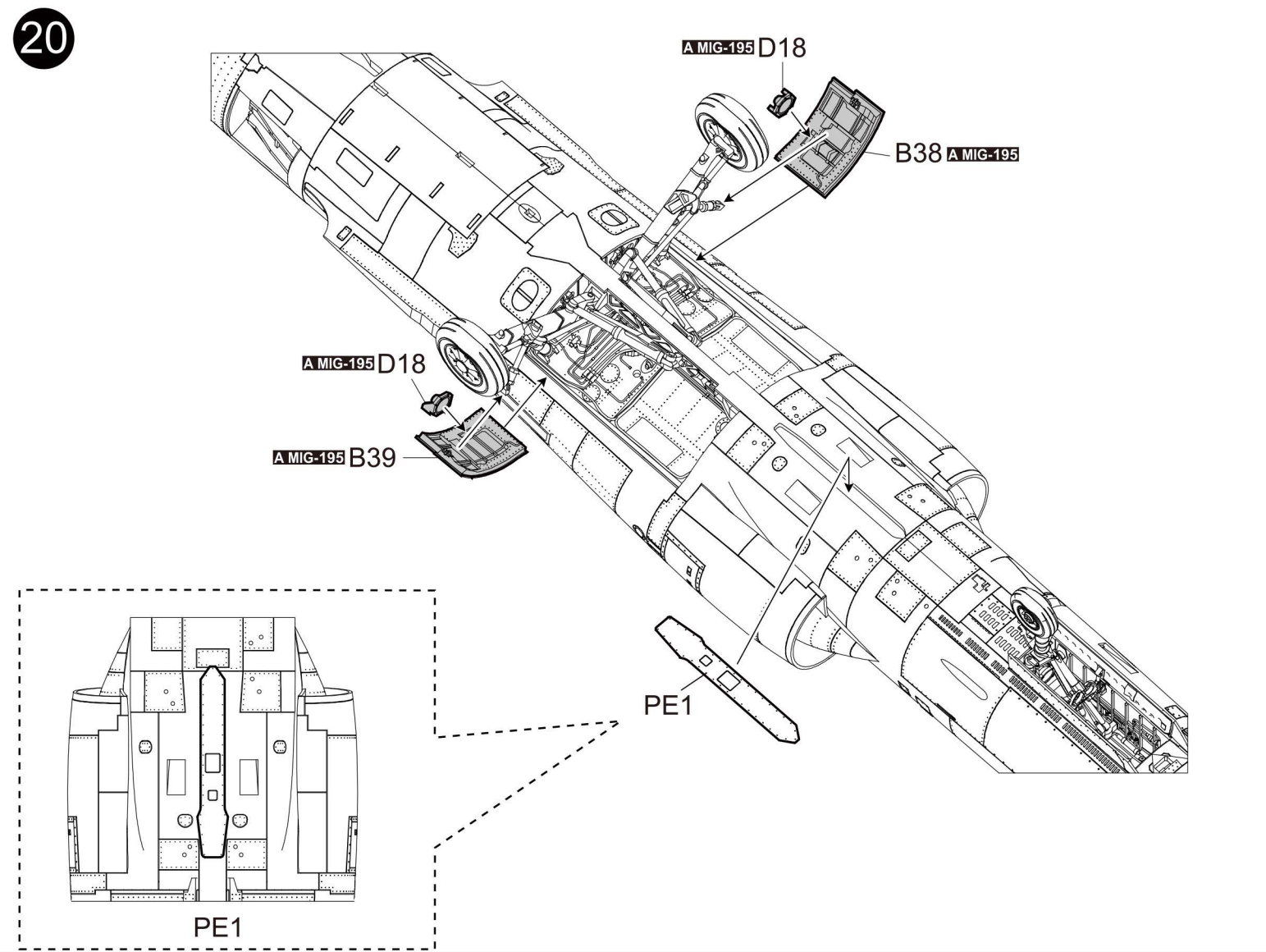
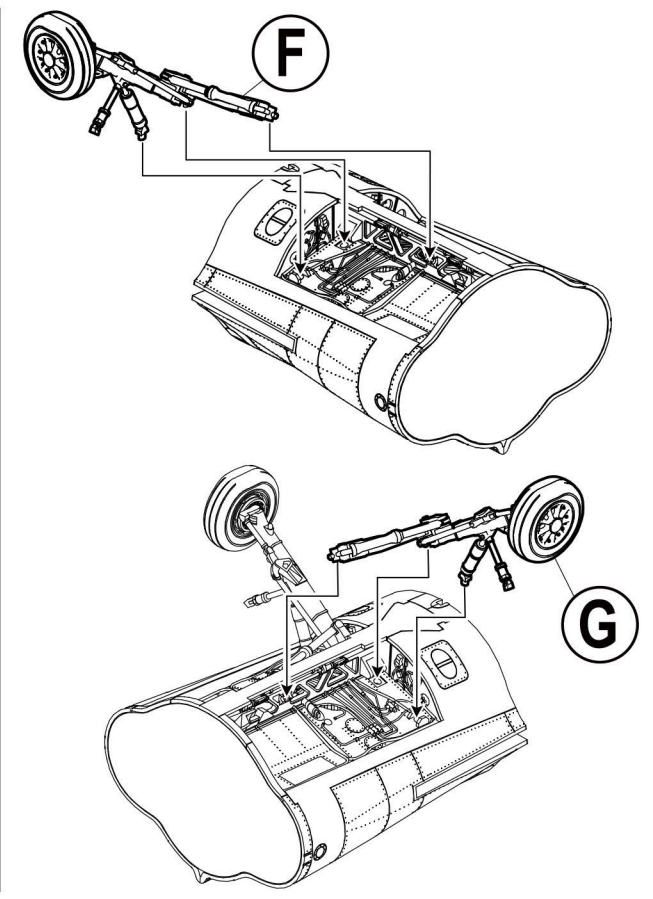
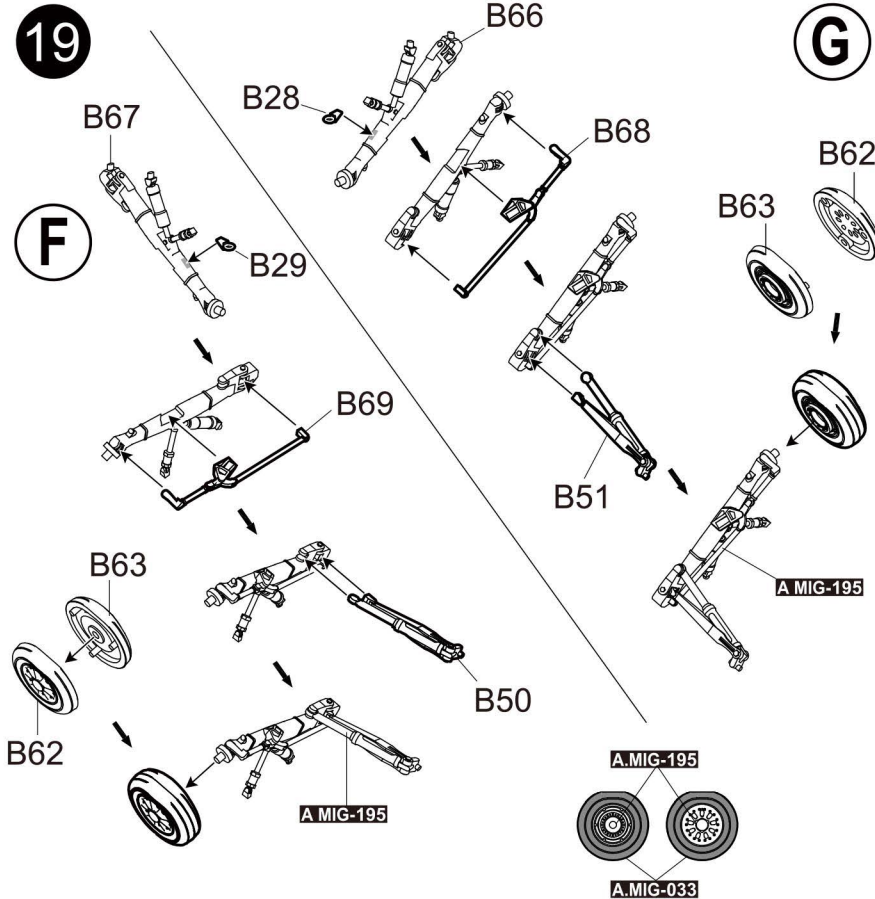
B49

B81

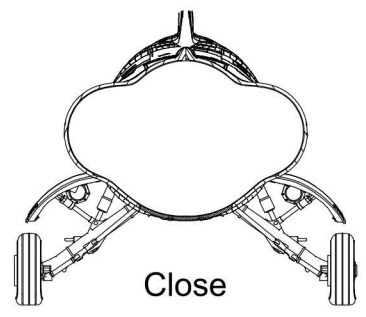
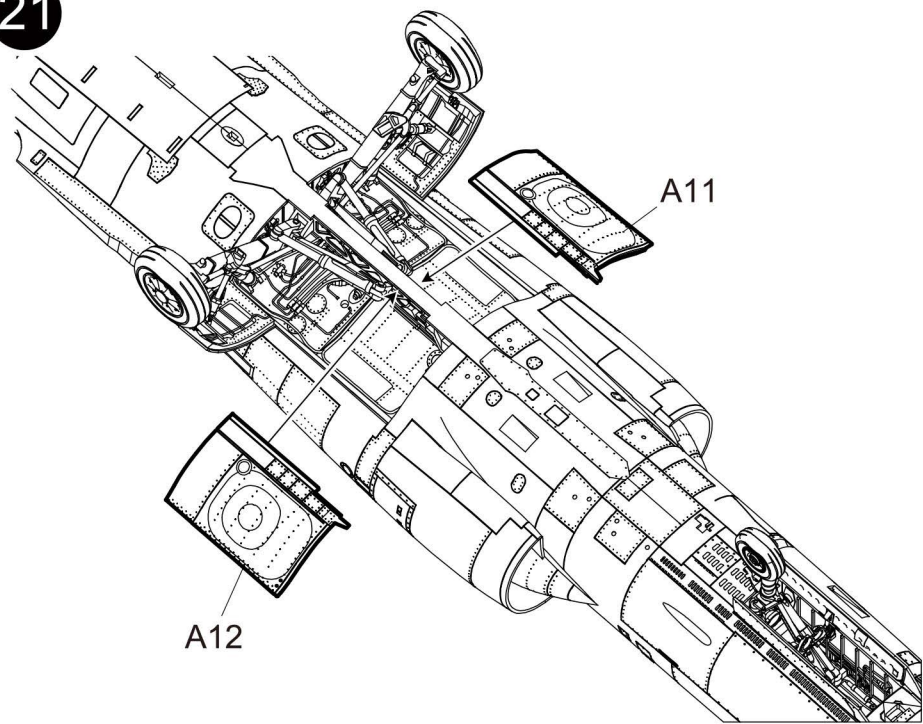
A.MIG-195

B80

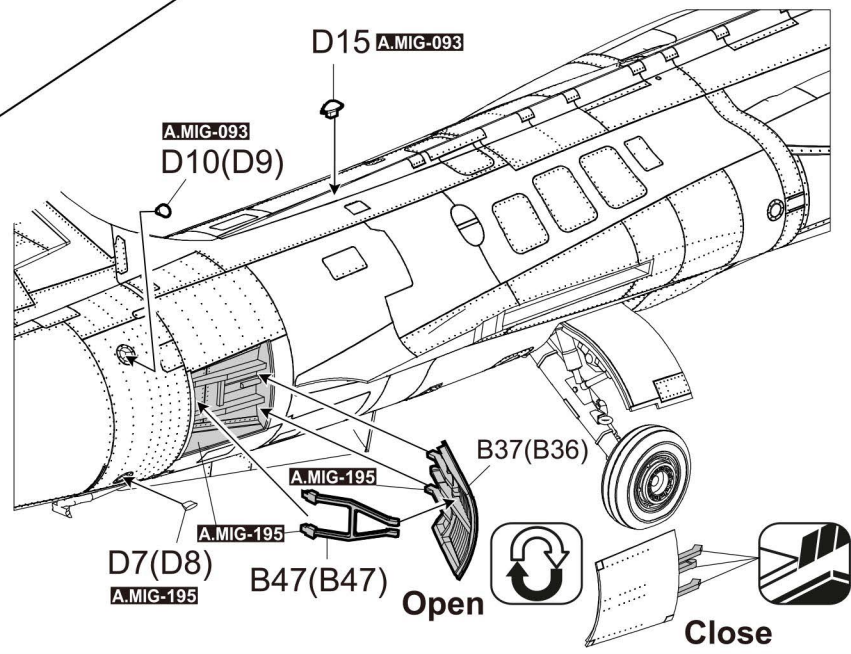
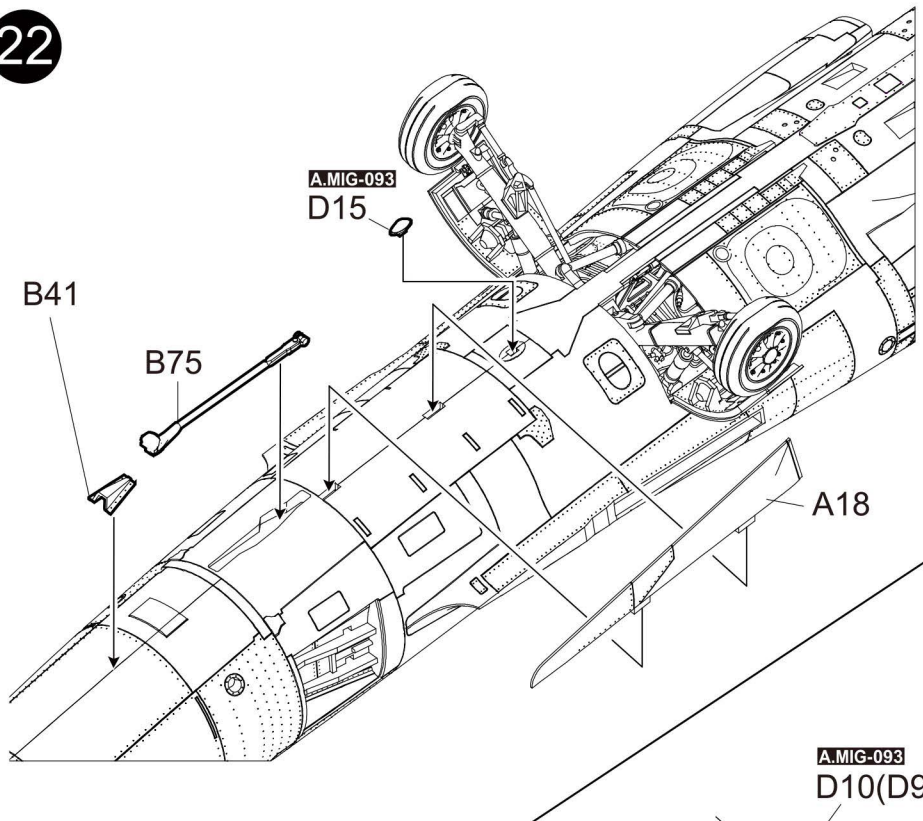
Back side A.MIG-195



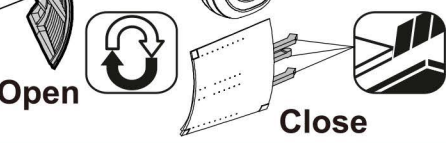
21



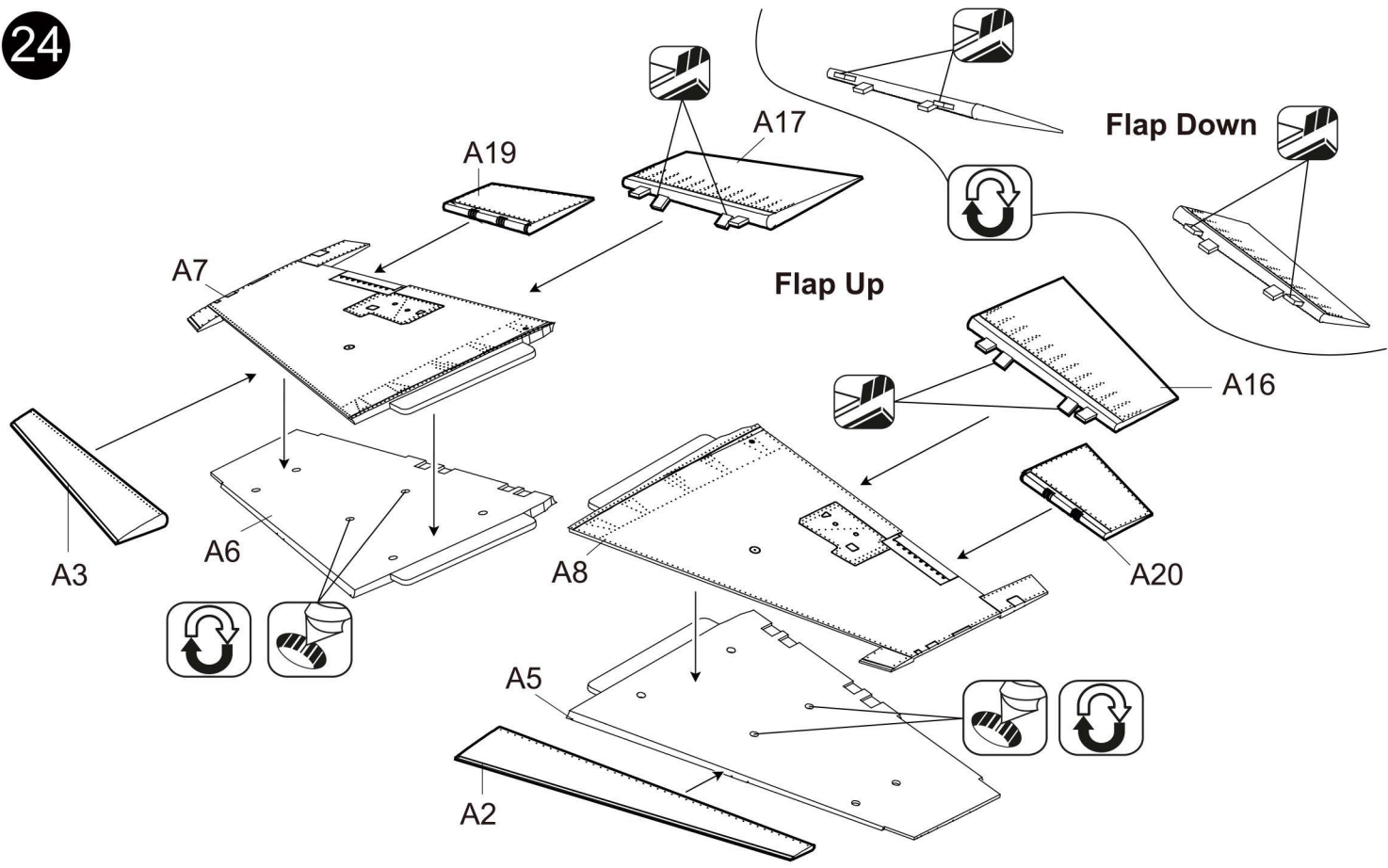
22



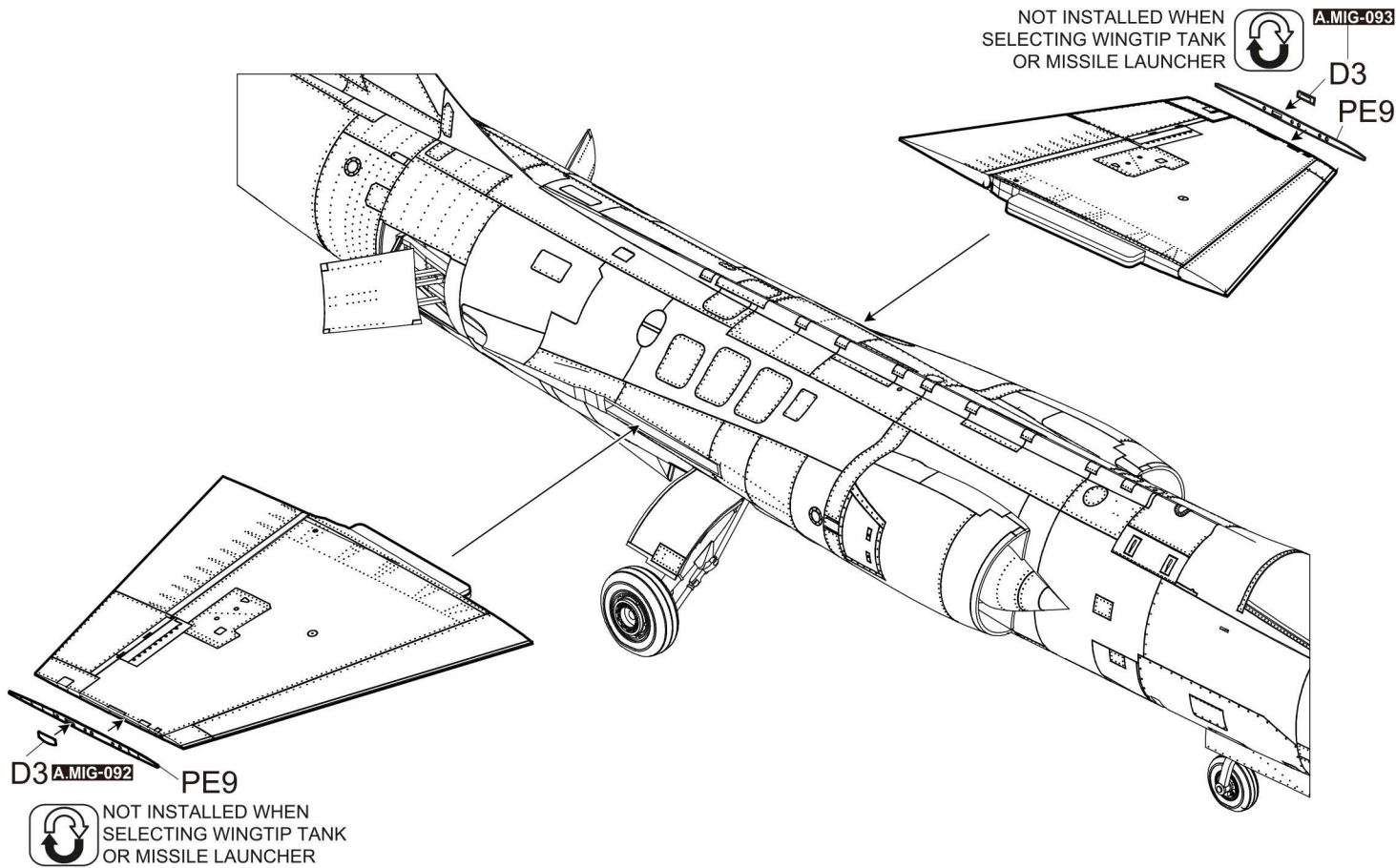
23



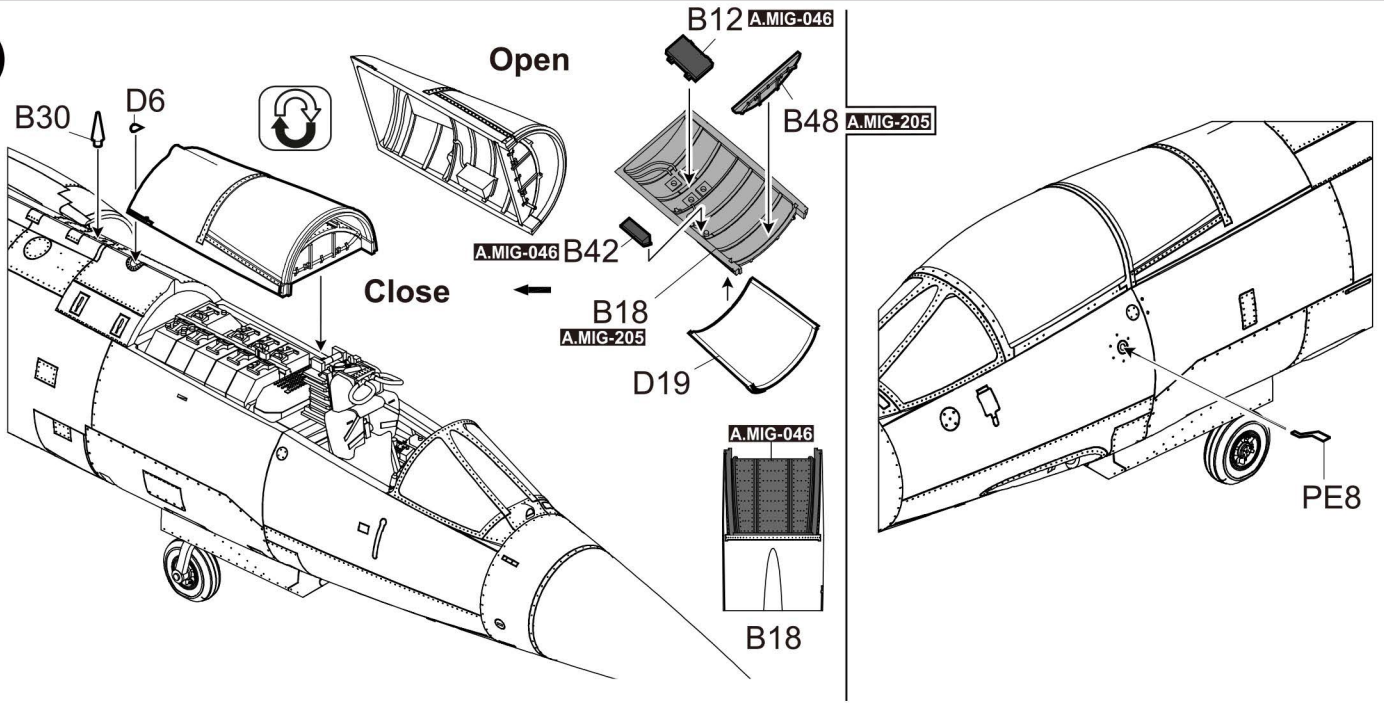
24



25



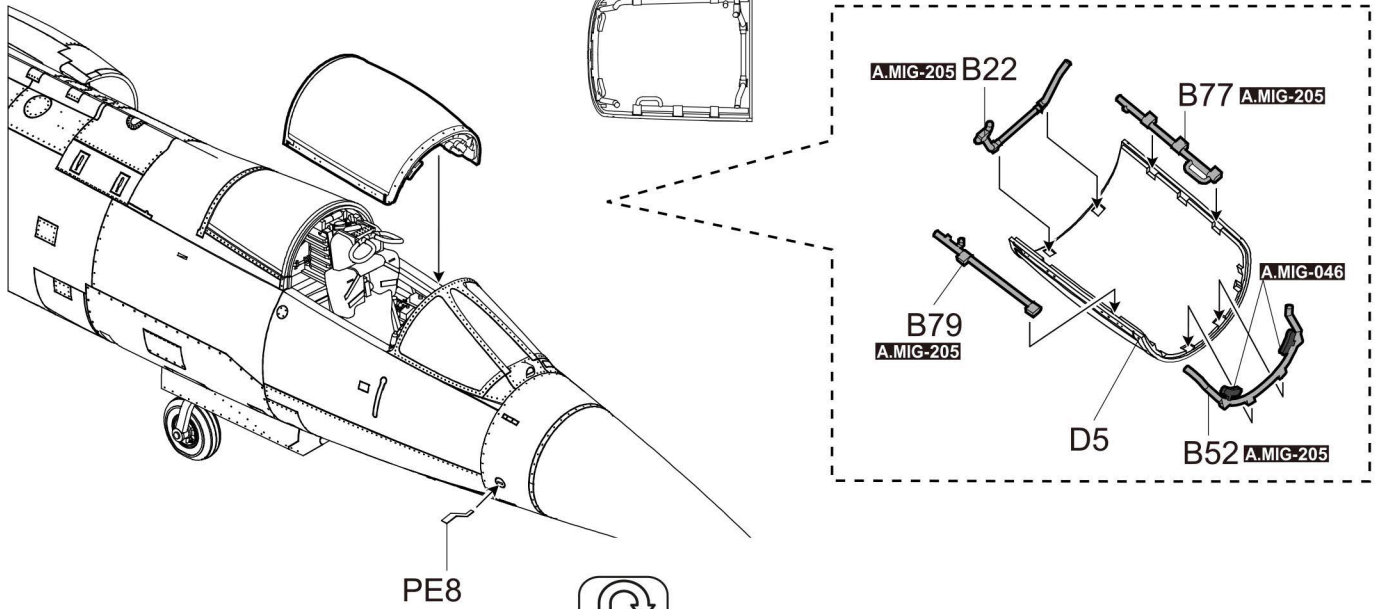
26



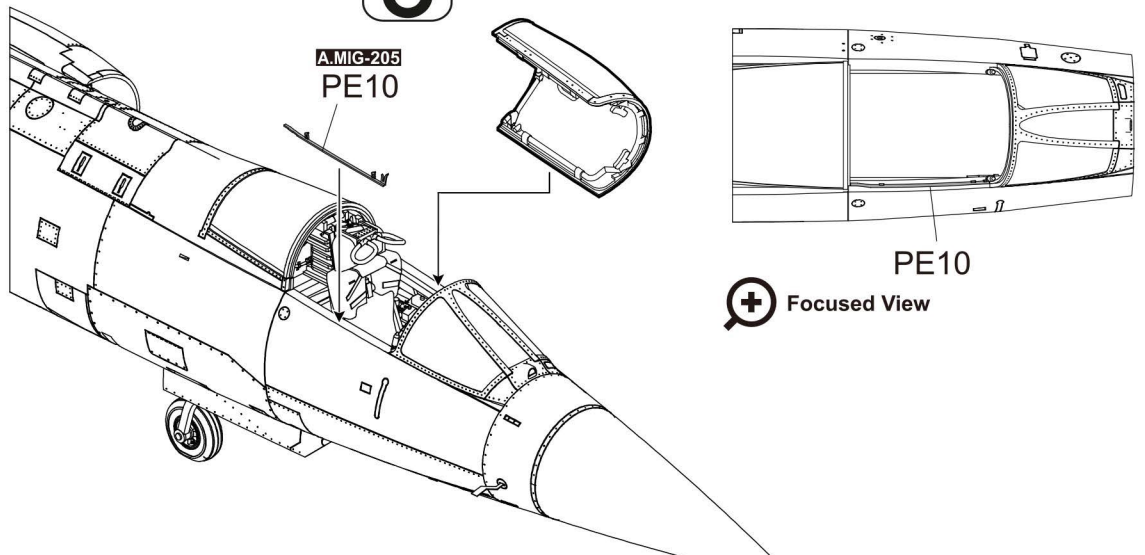
27

Canopy Close

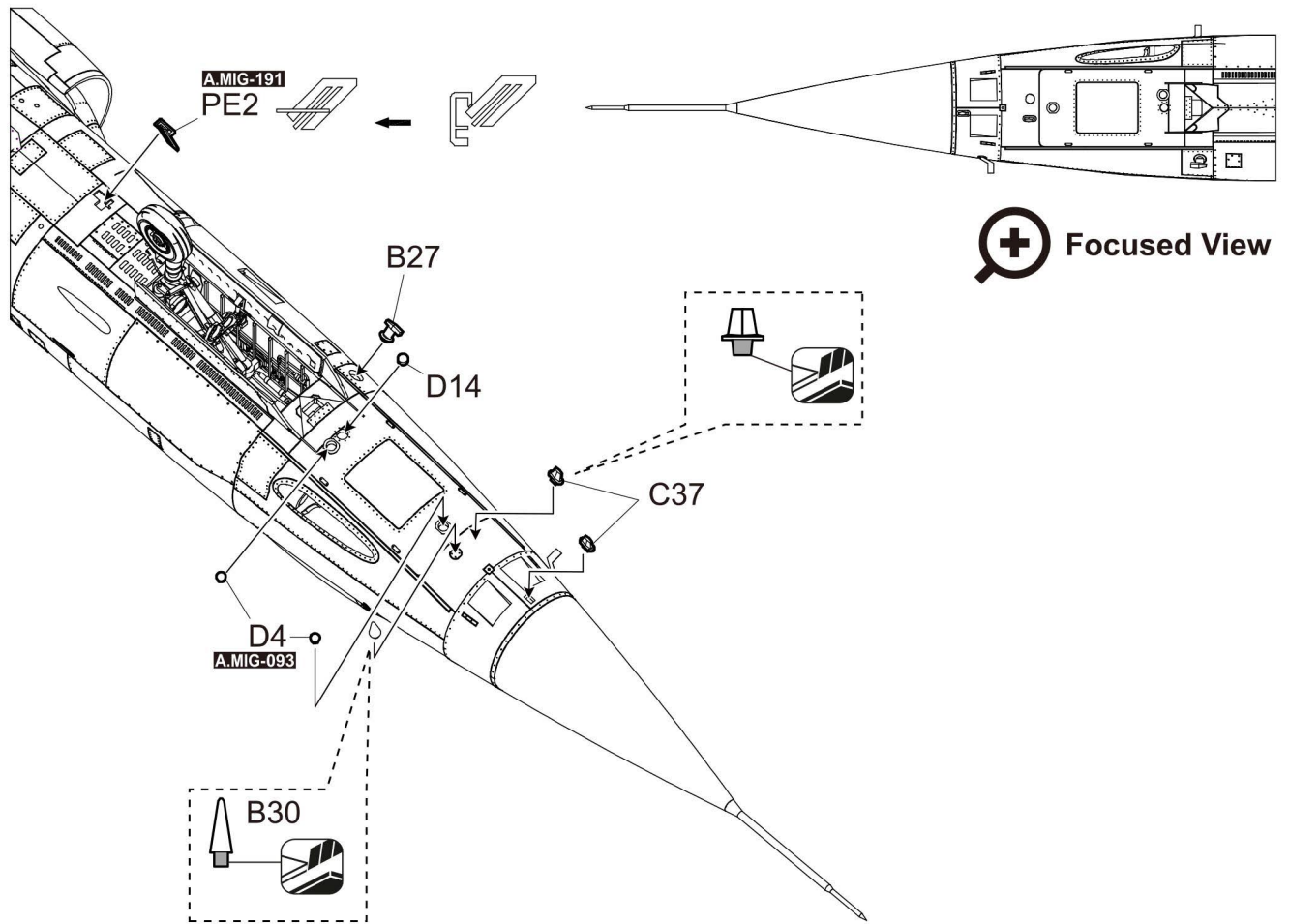
Focused View



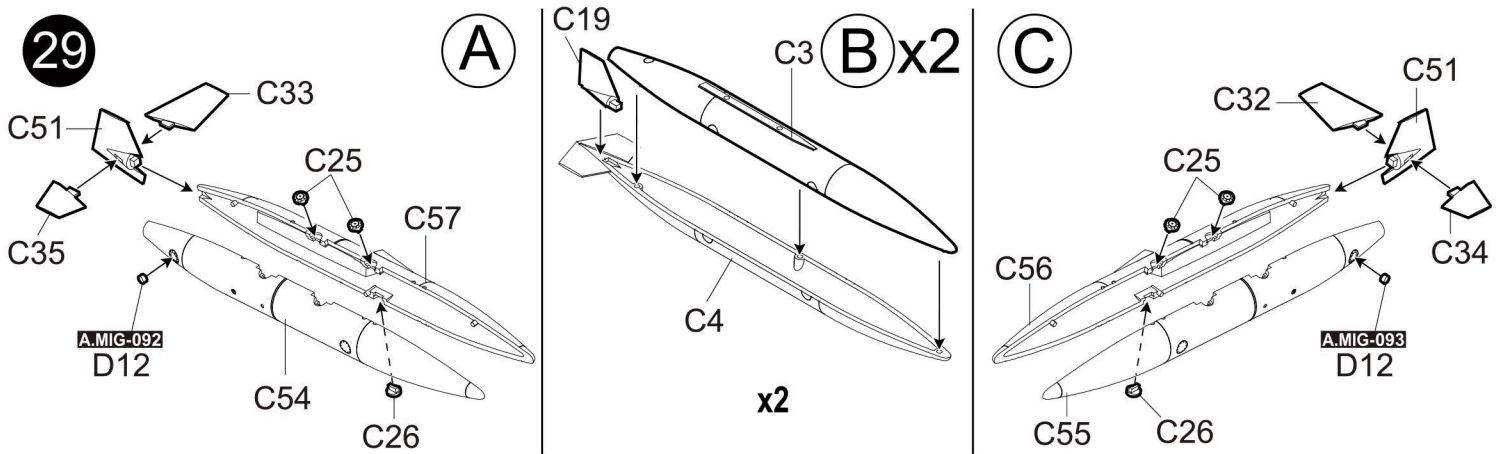
Canopy Open



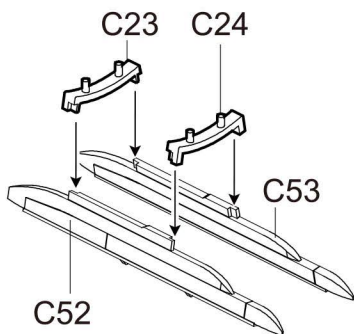
28

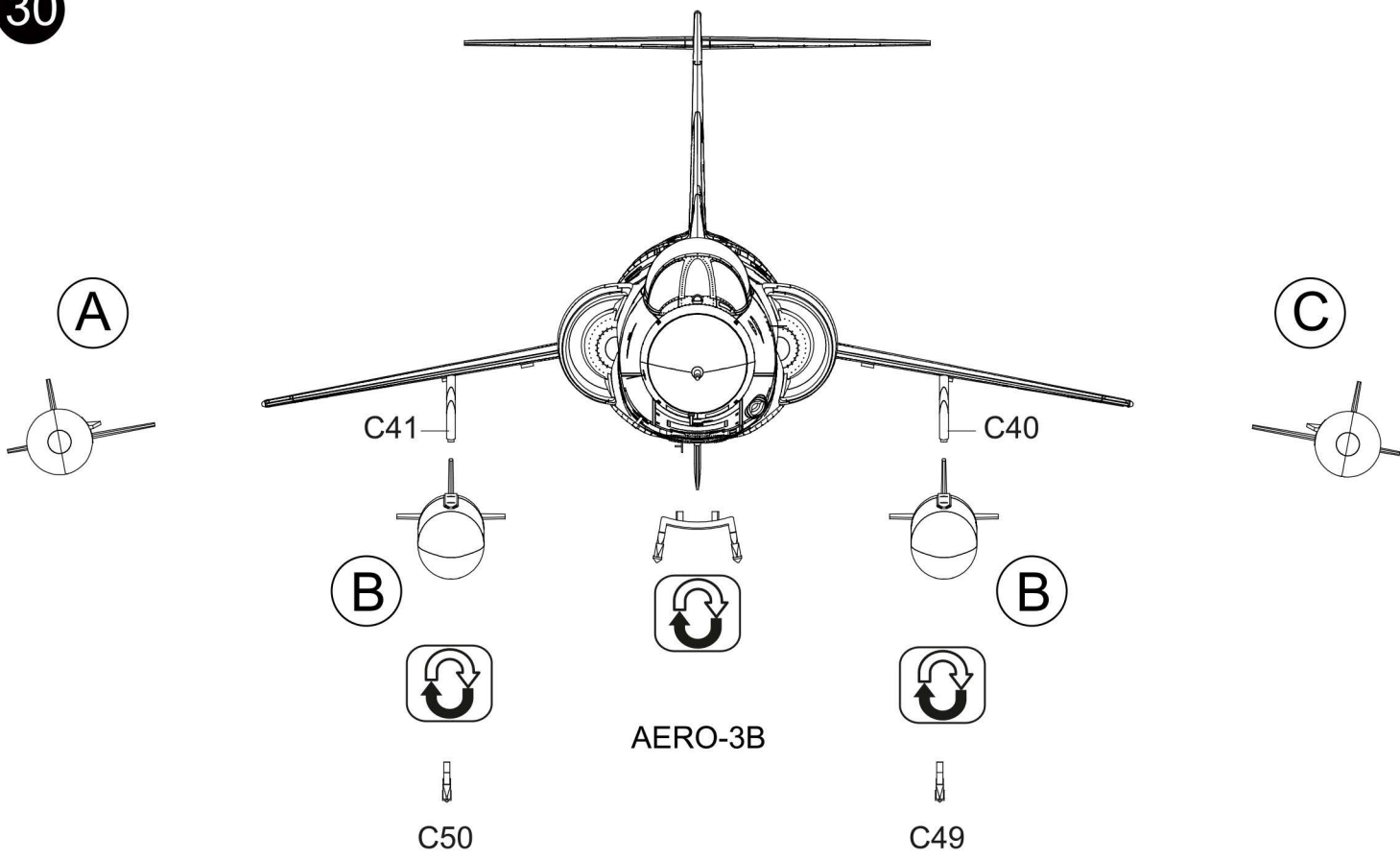


29

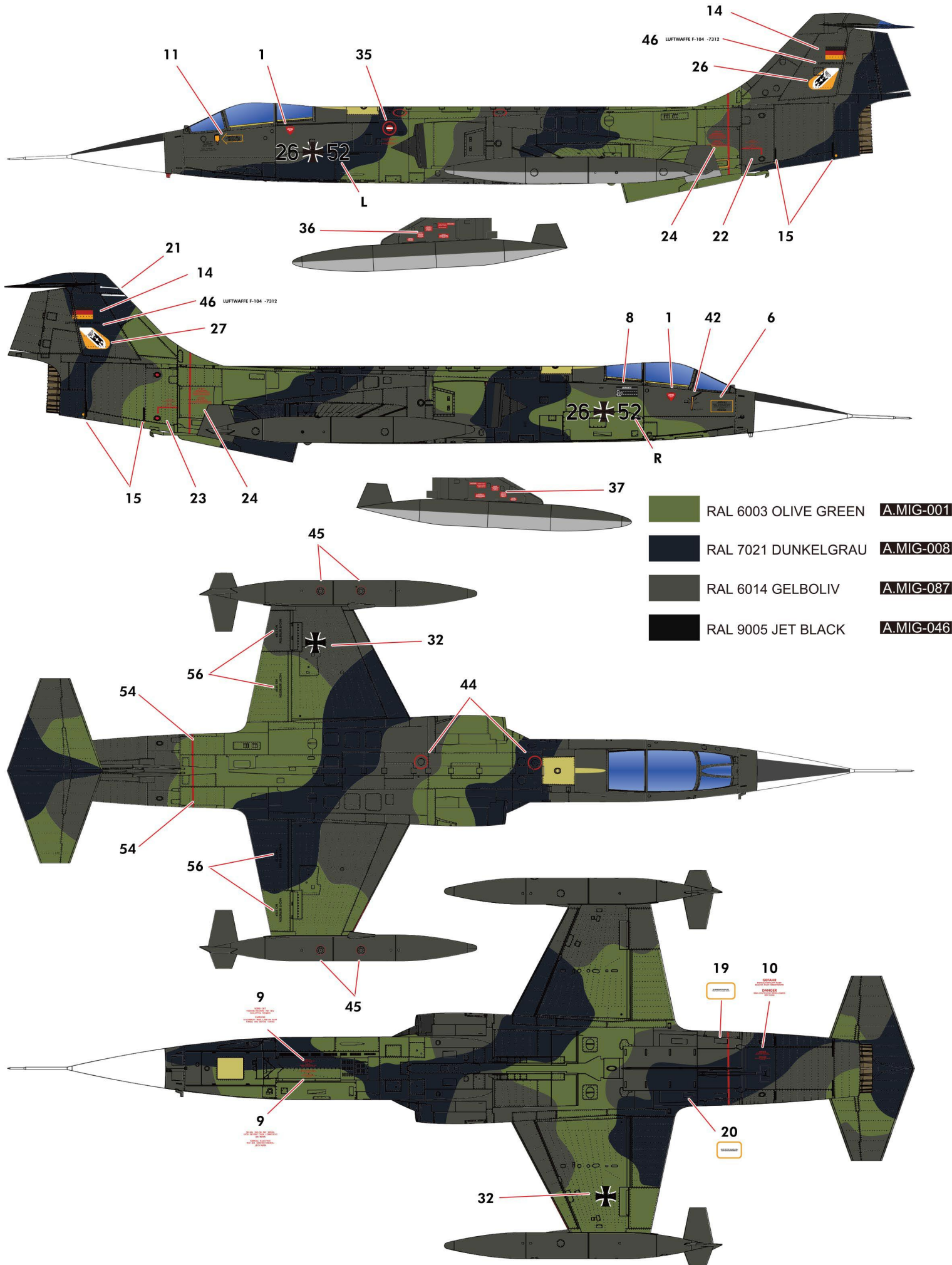


AERO-3B



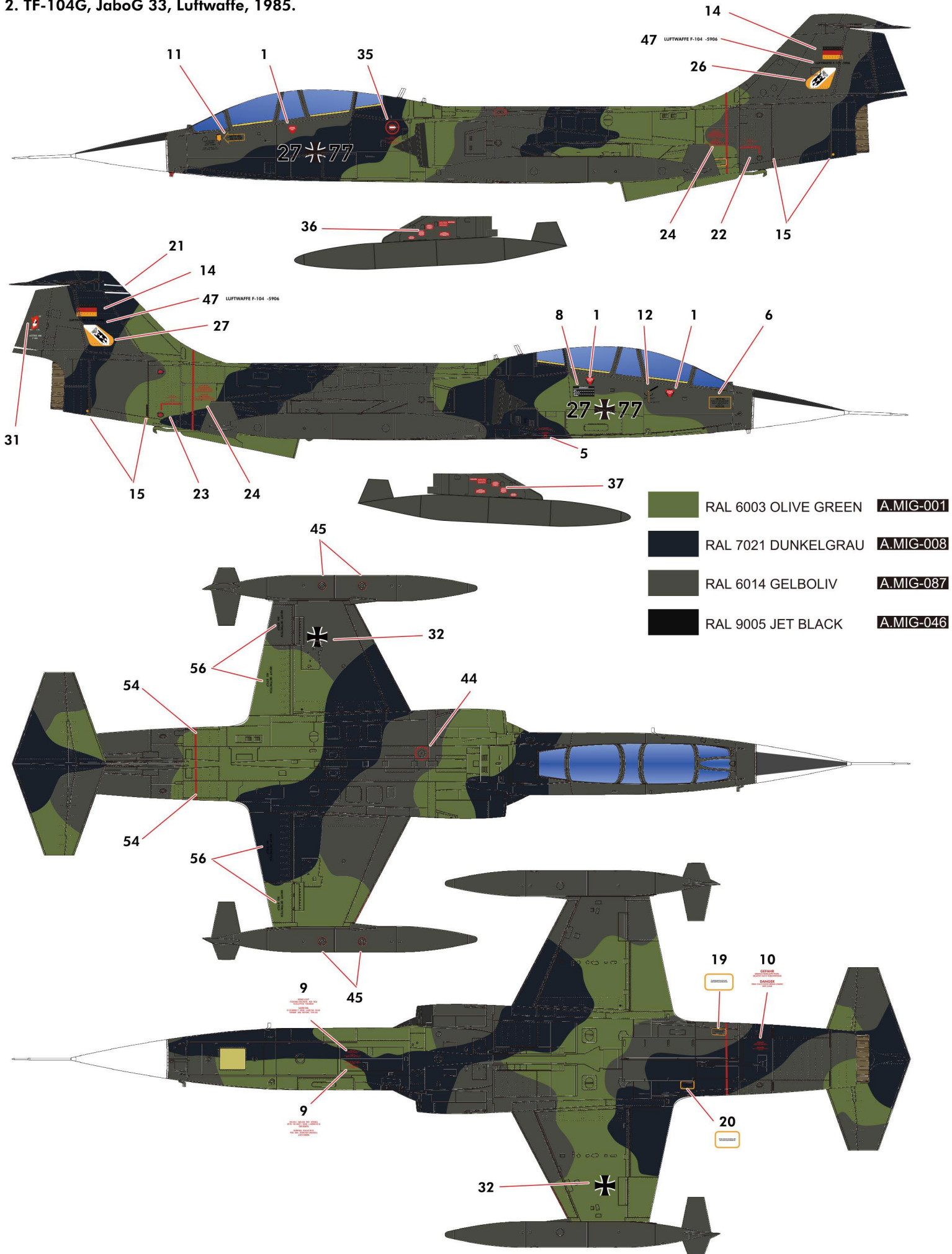


1. F-104G, Fighter-bomber Squadron 33 (Jagdbombergeschwader 33), Luftwaffe.



- RAL 6003 OLIVE GREEN **A.MIG-001**
- RAL 7021 DUNKELGRAU **A.MIG-008**
- RAL 6014 GELBOLIV **A.MIG-087**
- RAL 9005 JET BLACK **A.MIG-046**

2. TF-104G, JaboG 33, Luftwaffe, 1985.

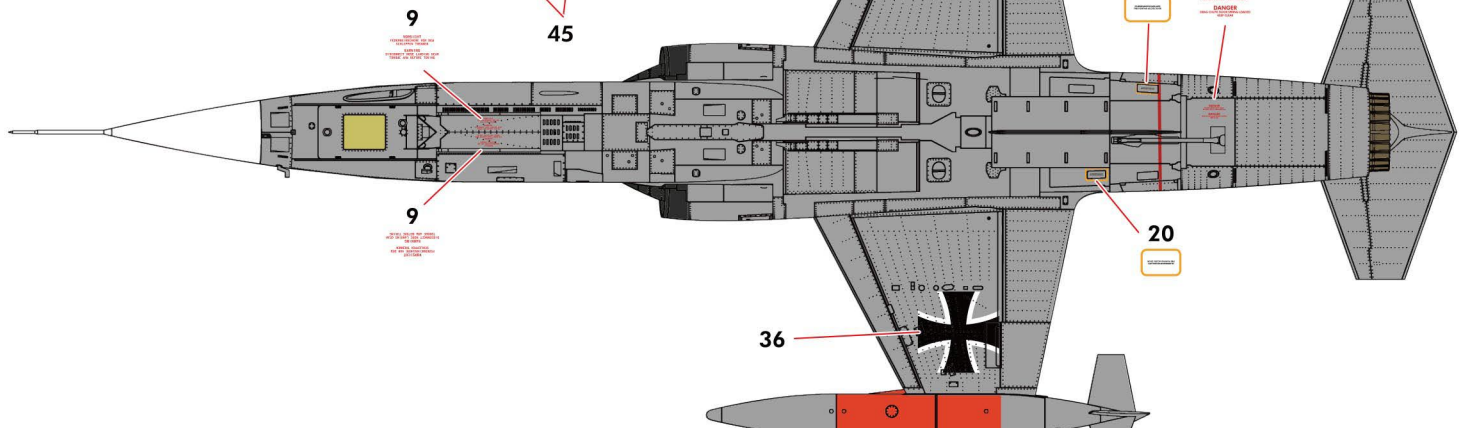
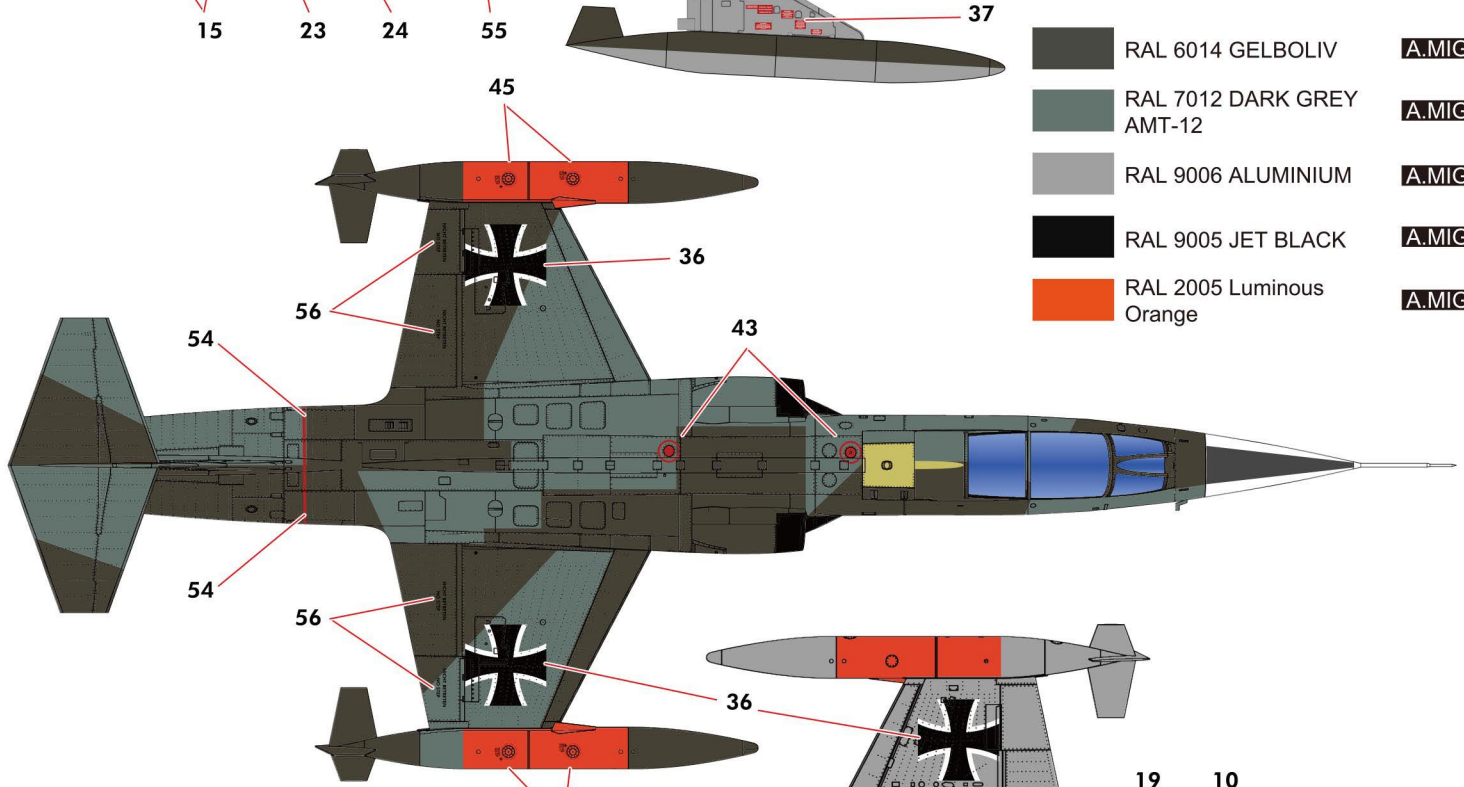
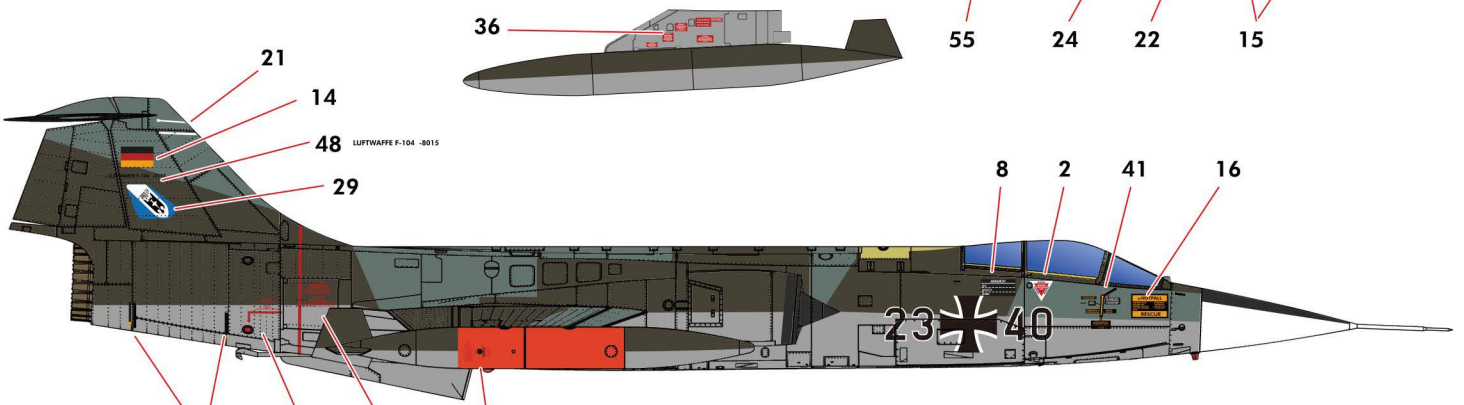
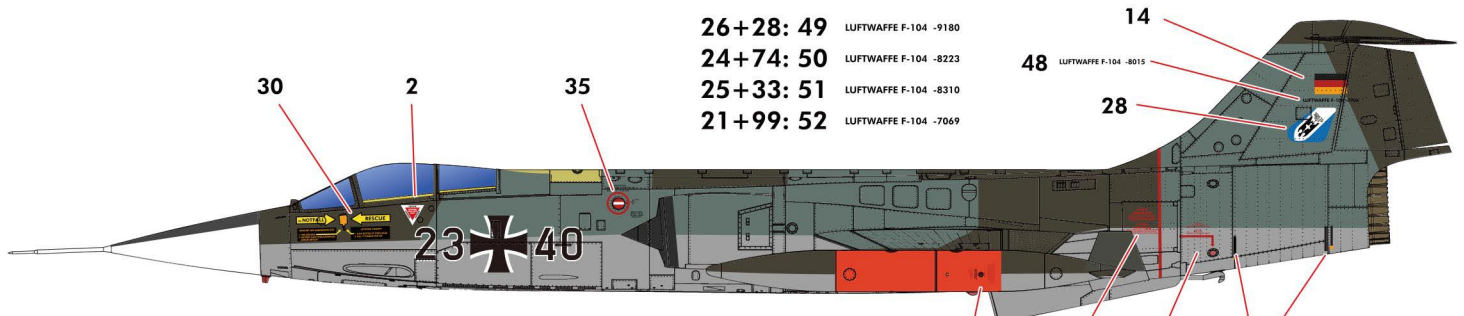


1/48 SCALE AIRCRAFT SERIES NO.K48089

3. F-104G, JaboG 31, 1983. Famous picture shows 6 aircraft in formation:

23+40(8015), 26+28(9180), 24+74(8223), 25+33(8310), 21+99(7069) and a TF-104G, 27+72 of scheme no. 4.

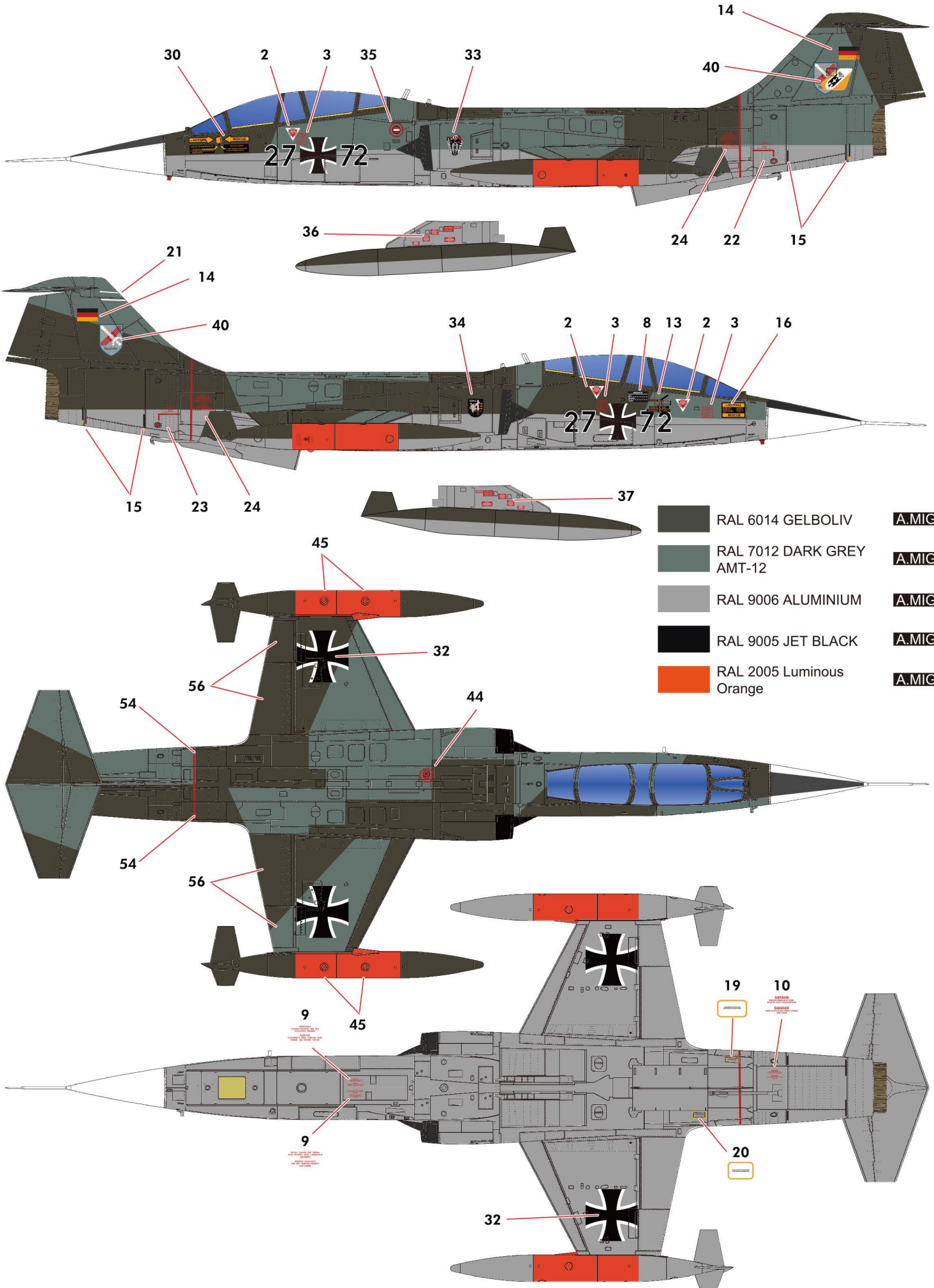
- 26+28: 49** LUFTWAFFE F-104 -9180
- 24+74: 50** LUFTWAFFE F-104 -8223
- 25+33: 51** LUFTWAFFE F-104 -8310
- 21+99: 52** LUFTWAFFE F-104 -7069



- RAL 6014 GELBOLIV **A.MIG-087**
- RAL 7012 DARK GREY AMT-12 **A.MIG-235**
- RAL 9006 ALUMINIUM **A.MIG-194**
- RAL 9005 JET BLACK **A.MIG-046**
- RAL 2005 Luminous Orange **A.MIG-129**

1/48 SCALE AIRCRAFT SERIES NO.K48089

4. TF-104G, JaboG 33, Luftwaffe, 1983. It kept its original patches of old squadron it belonged to: JaboG 31 insignia on tail, 1 and 2 staffel JaboG on both sides of air intake.



	RAL 6014 GELBOLIV	A.MIG-087
	RAL 7012 DARK GREY AMT-12	A.MIG-235
	RAL 9006 ALUMINIUM	A.MIG-194
	RAL 9005 JET BLACK	A.MIG-046
	RAL 2005 Luminous Orange	A.MIG-129