

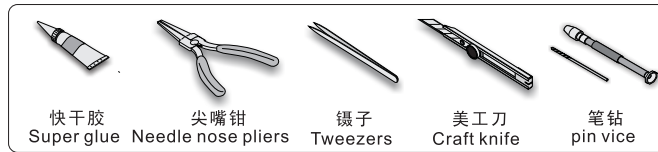
1/35 MILITARY MINIATURE VEHICLE UPGRADE SERIES PE35500

Modern U.S. M1070 Truck Tractor basic

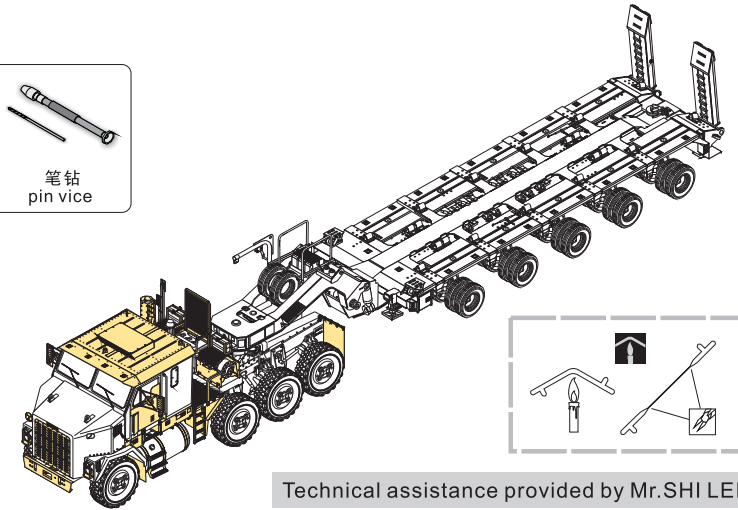
现代美军 M1070拖车拖头基本件

[For HOBBYBOSS 85502]

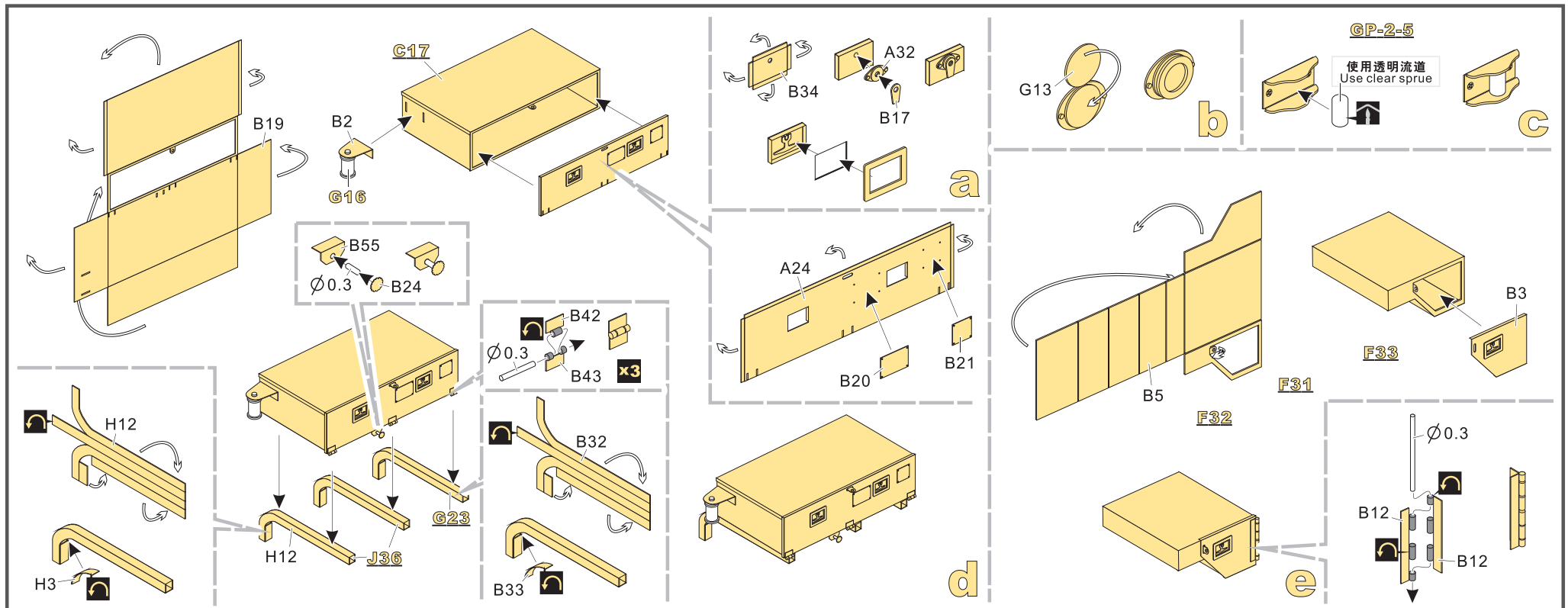
■ 推荐使用工具 RECOMMENDED TOOLS



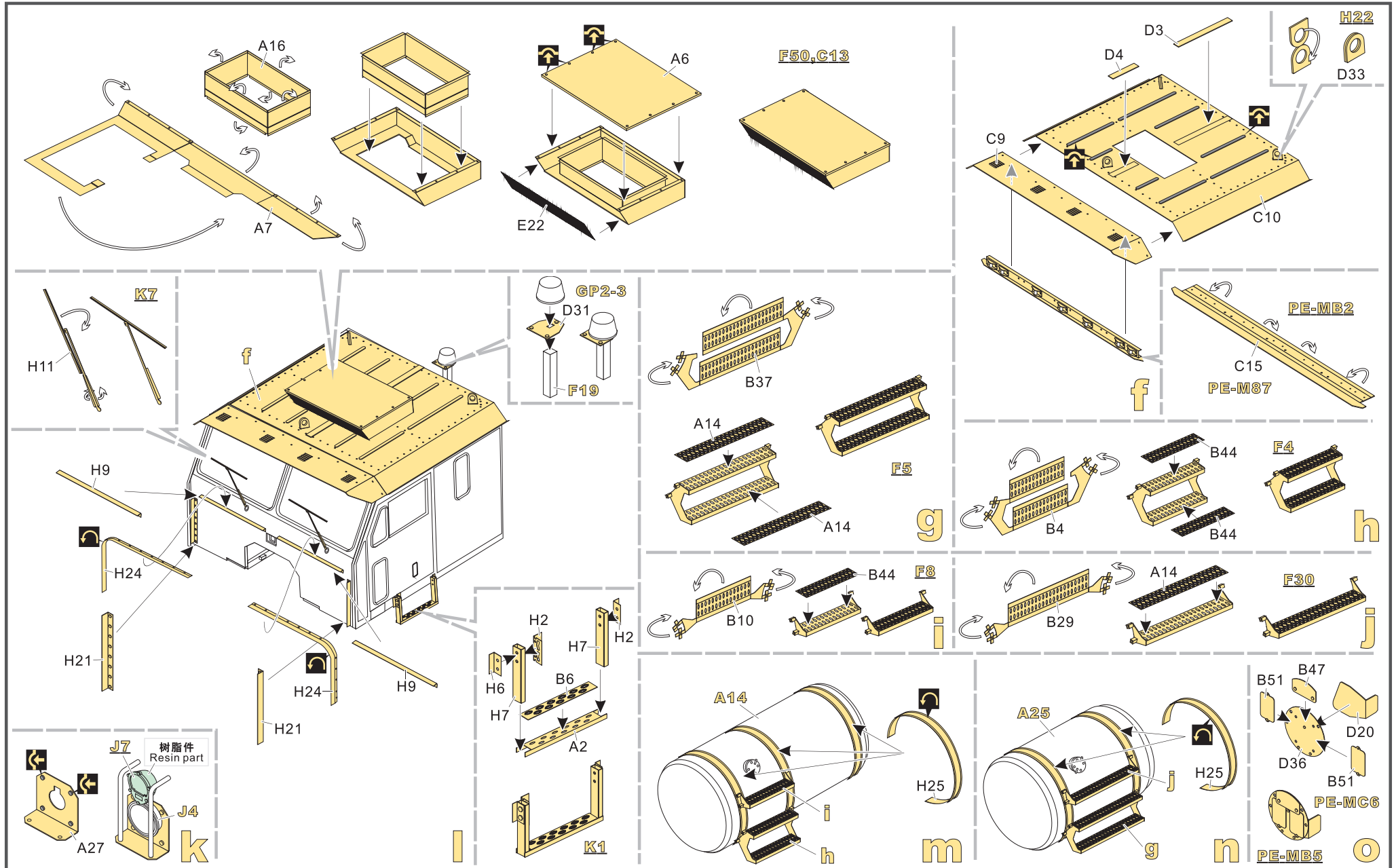
- ↑
安装
install
- ↶
折叠
bend
- A1
改造件零件编号
PE/resin part number
- B12
原零件编号
kit part number
- C22
被替换的原零件编号
replaced kit part number
- ↓
用尖端在凹槽处冲压
use penpoint to press on the dent
- ✂
切除
remove
- 🔪
打磨
grind off
- 📏
弧度卷曲
radial bending
- x2
制作若干组
multiple assembly
- ↔
选择安装
alternative
- 🔧
钻孔
drill
- 🔄
另一侧相同制作
repeat on opposite side



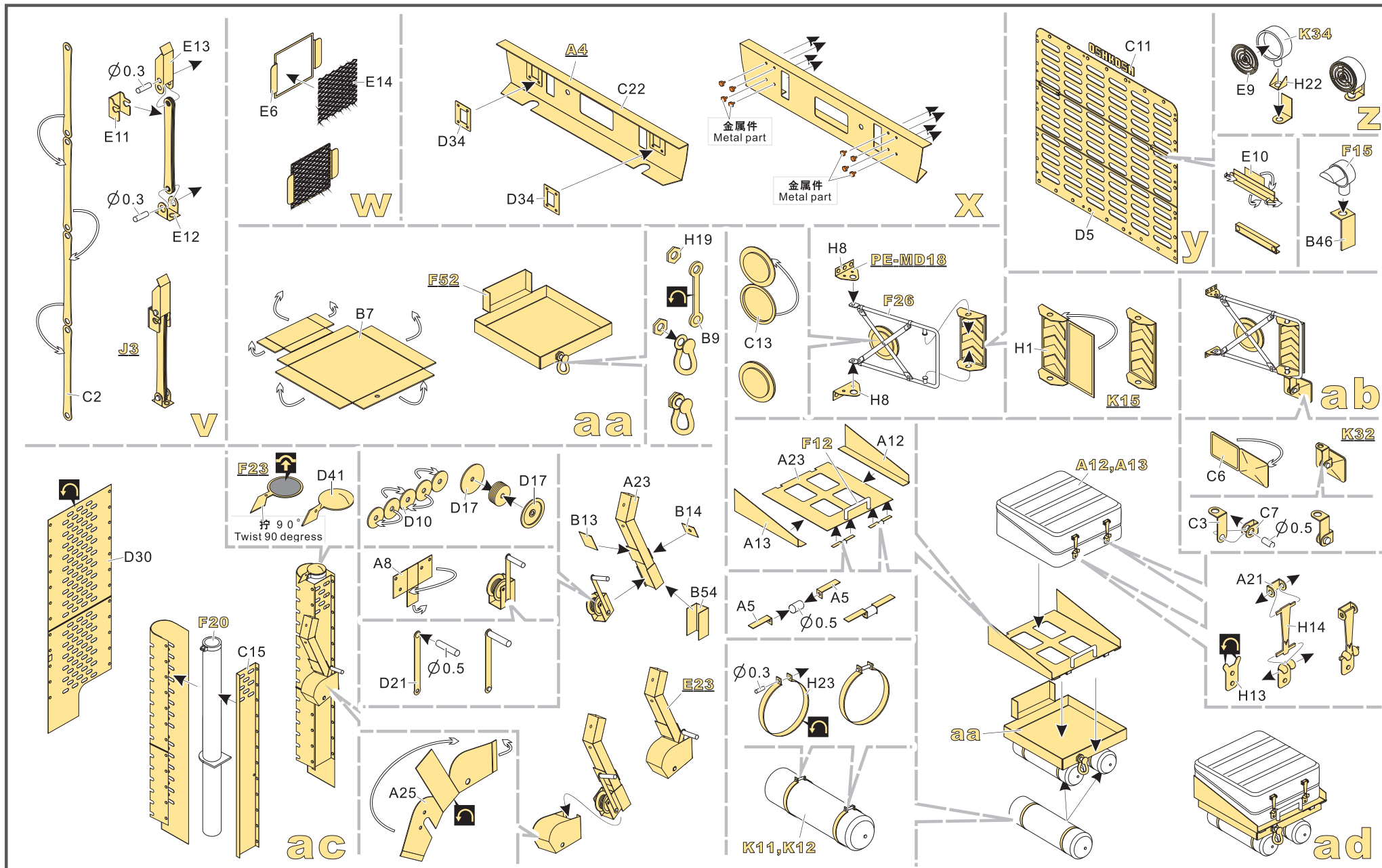
Technical assistance provided by Mr.SHI LEI

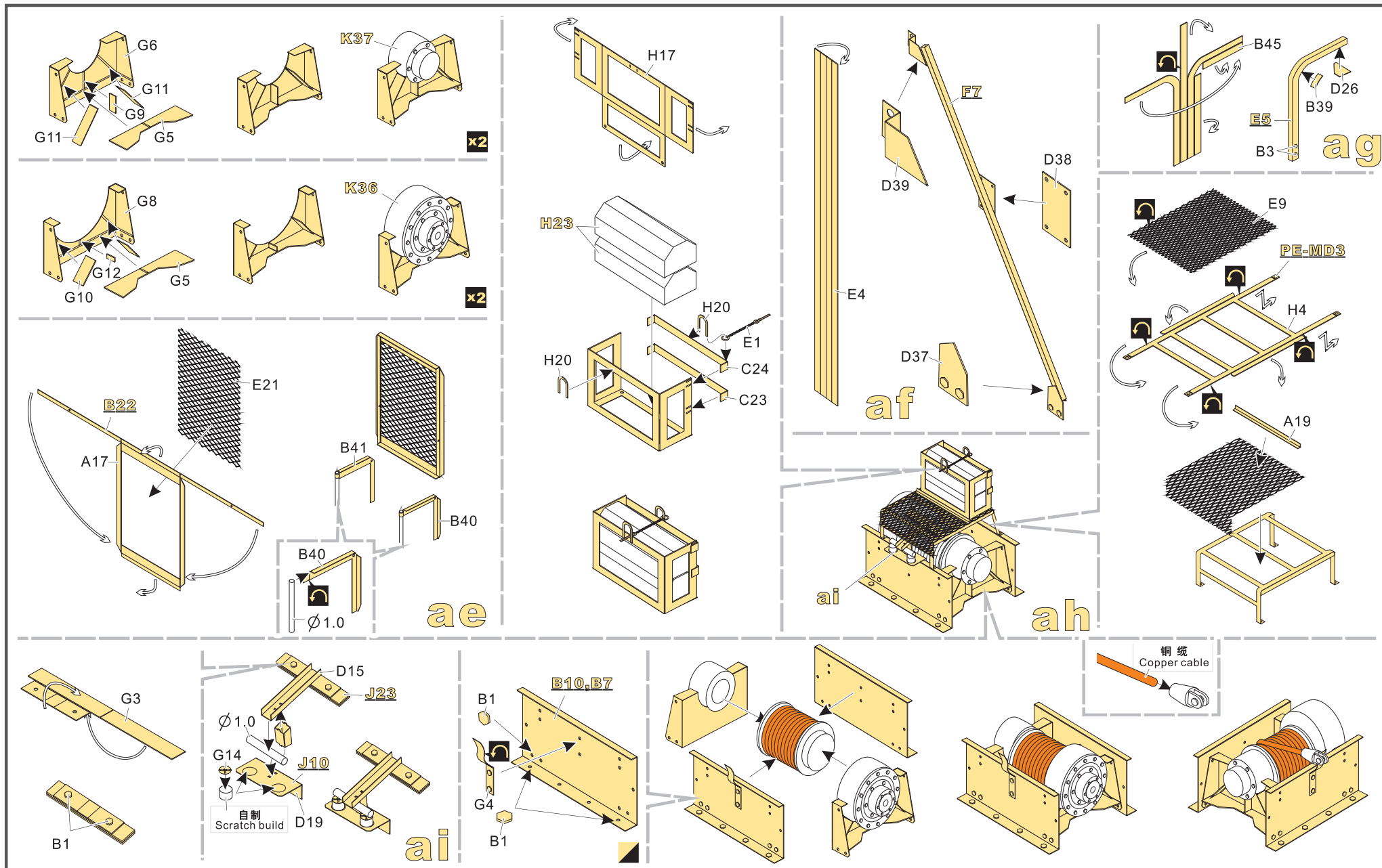


1/35 MILITARY MINIATURE VEHICLE UPGRADE SERIES PE35500

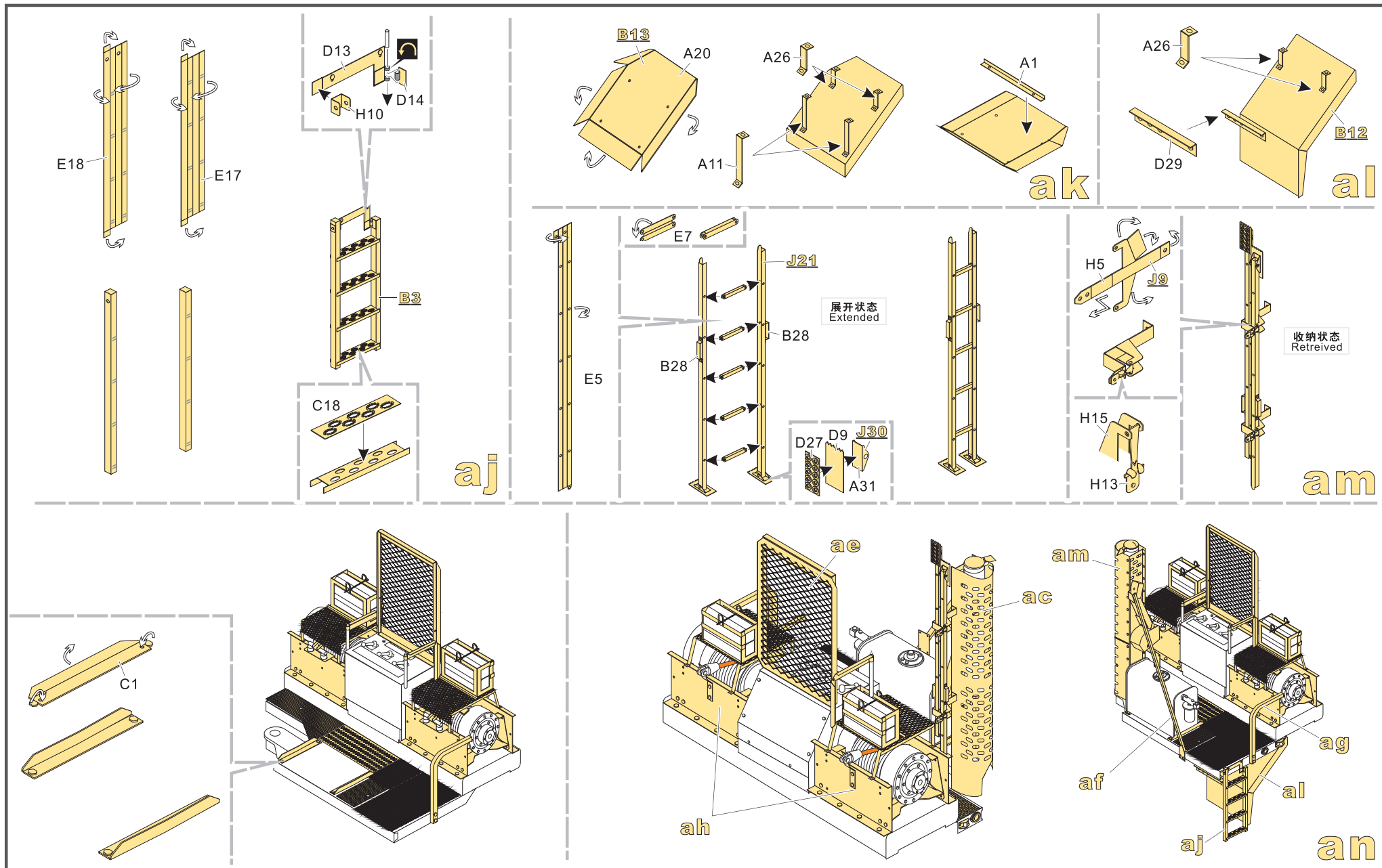


1/35 MILITARY MINIATURE VEHICLE UPGRADE SERIES PE35500

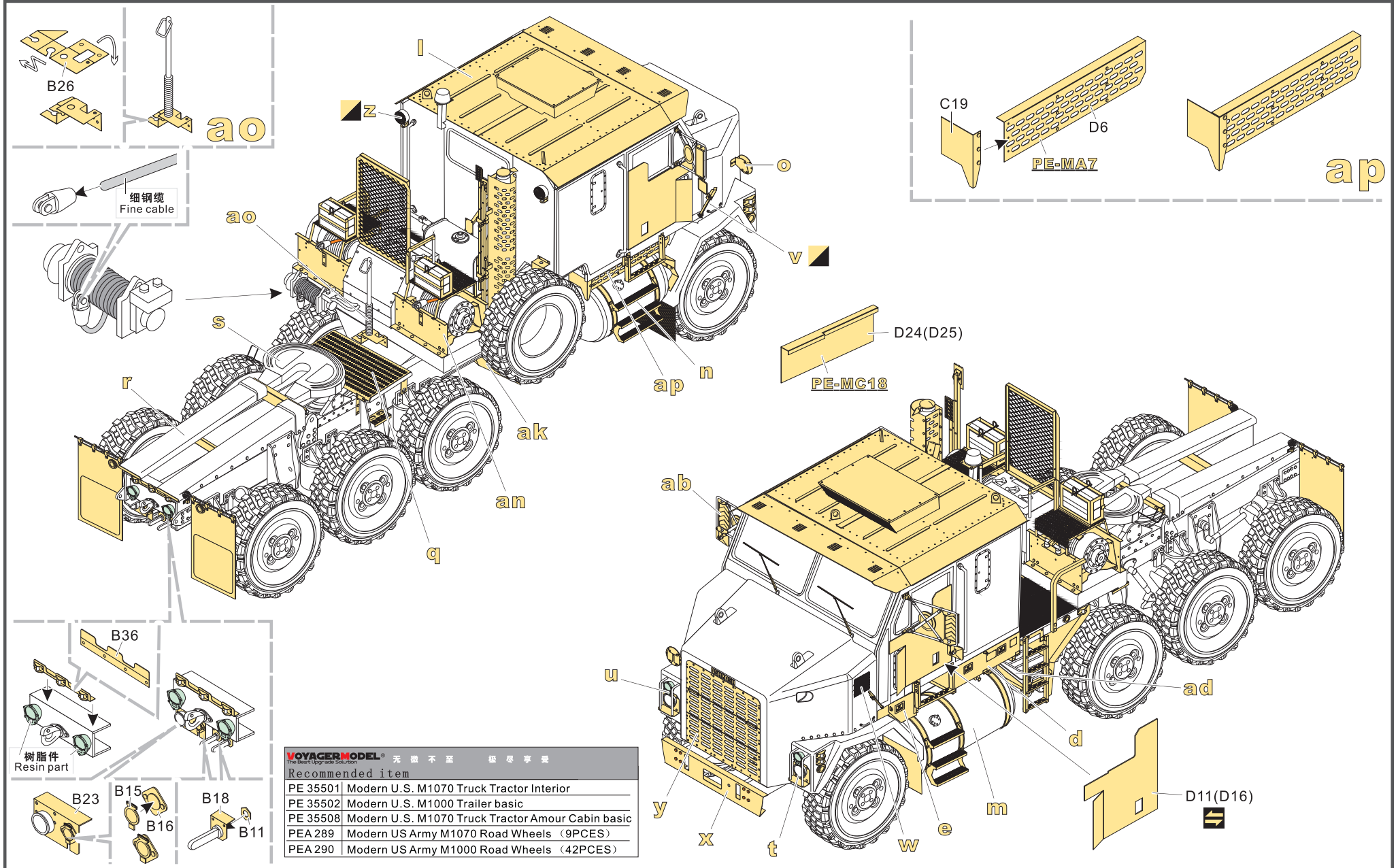




1/35 MILITARY MINIATURE VEHICLE UPGRADE SERIES PE35500



1/35 MILITARY MINIATURE VEHICLE UPGRADE SERIES PE35500



VOYAGERMODEL® 无微不显 极尽享受
The Best Upgrade Solution

Recommended item

PE 35501	Modern U.S. M1070 Truck Tractor Interior
PE 35502	Modern U.S. M1000 Trailer basic
PE 35508	Modern U.S. M1070 Truck Tractor Amour Cabin basic
PEA 289	Modern US Army M1070 Road Wheels (9PCES)
PEA 290	Modern US Army M1000 Road Wheels (42PCES)