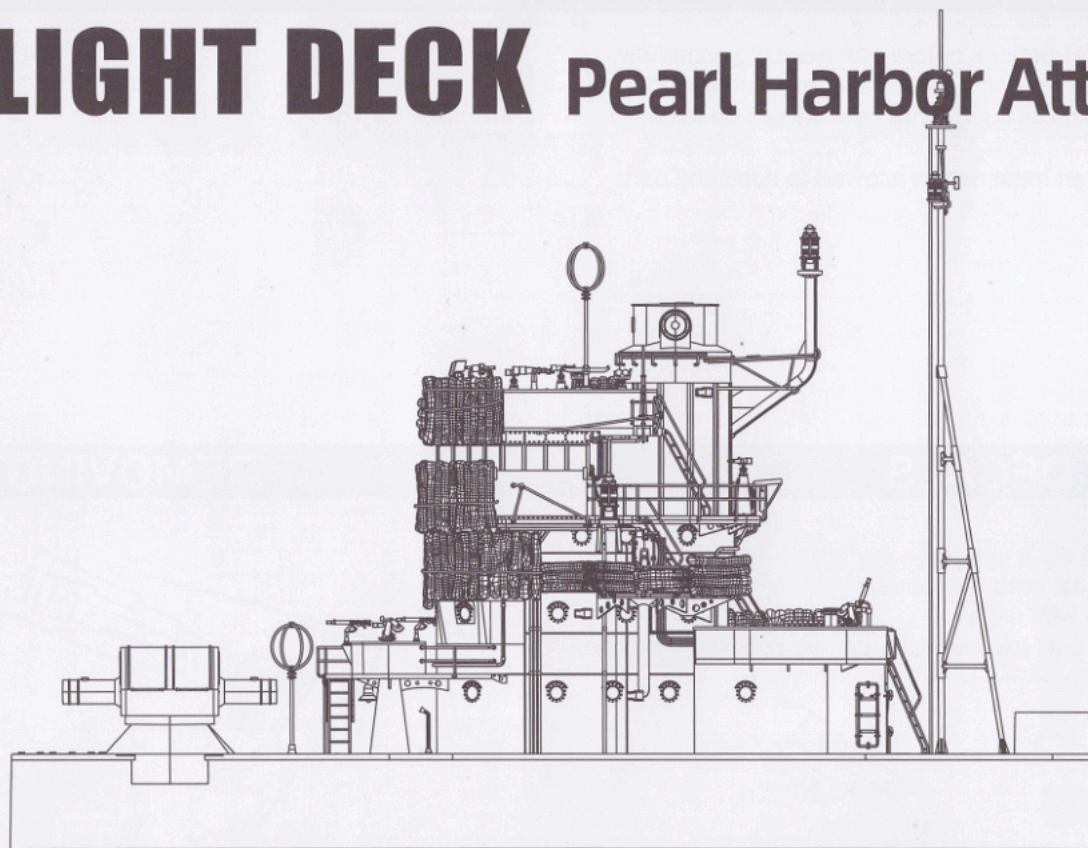


# IJN AIRCRAFT CARRIER AKAGI

## ISLAND & FLIGHT DECK Pearl Harbor Attack 1941



The Akagi was an aircraft carrier built for the Imperial Japanese Navy (IJN), and was named after Mount Akagi located in present-day Gunma Prefecture. Although she was laid down as an Amagi-class battlecruiser, Akagi was converted to an aircraft carrier while still under construction in order to comply with the terms of the Washington Naval Treaty. Following Japan's renunciation of the treaty in late 1934, the ship was rebuilt from 1935 to 1938 with her original three flight decks consolidated into a single enlarged flight deck and an island superstructure. The second Japanese aircraft carrier to enter service, Akagi played a prominent role in the development of the IJN's revolutionary carrier strike force doctrine of grouping carriers together and concentrating their air power. This doctrine enabled Japan to attain its strategic goals during the first six months of the war in the Pacific.

Akagi's aircraft served in the Second Sino-Japanese War in the late 1930s. Upon the formation of the First Air Fleet in early 1941, she became its flagship and remained so for the duration of her service. Alongside other fleet carriers, she took part in the Attack on Pearl Harbor in December 1941 and the invasion of Rabaul in January 1942. Aircraft from Akagi bombed Darwin, Australia the following month, and participated in the conquest of the Dutch East Indies. In March and April 1942, Akagi's aircraft sank an Australian destroyer and a British cruiser in the Indian Ocean Raid.

After a brief refit in May, Akagi and three other fleet carriers of the Kido Butai participated in the Battle of Midway in June 1942. Akagi and the other carriers were attacked by aircraft from Midway and the carriers Enterprise, Hornet, and Yorktown while their aircraft were away bombing American forces on the atoll. Dive bombers from Enterprise severely damaged Akagi, and when it became clear she could not be saved, she was scuttled by Japanese destroyers.

# READ BEFORE ASSEMBLY

## CAUTION

- Read carefully and fully understand the instructions before commencing assembly. A supervising adult should also read the instructions if a child assembles the model.
- When assembling this kit, tools including knives used. Extra care should be taken to avoid personal injury.
- Keep out of reach of small children. Children must not be allowed to suck any part, or pull vinyl bag over their heads.



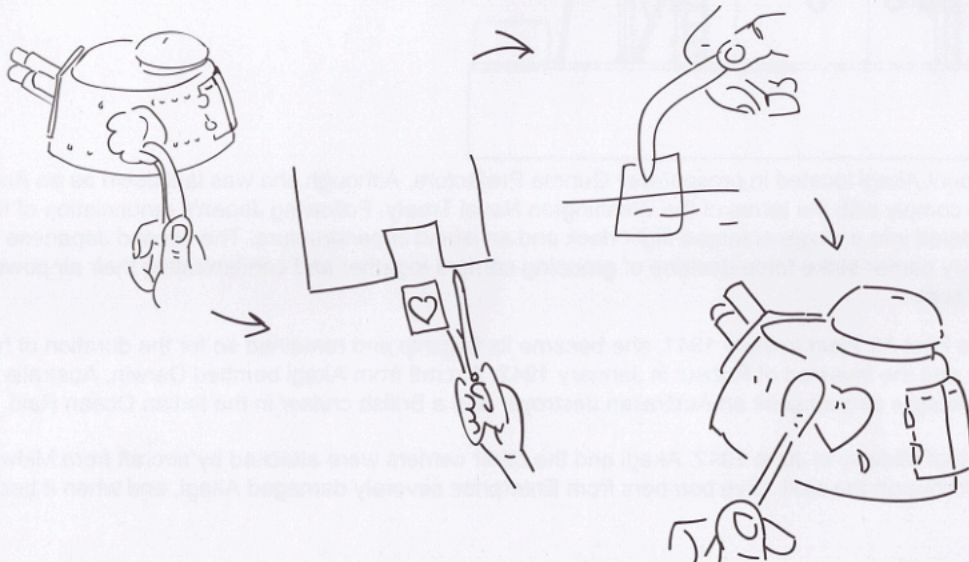
Be Careful



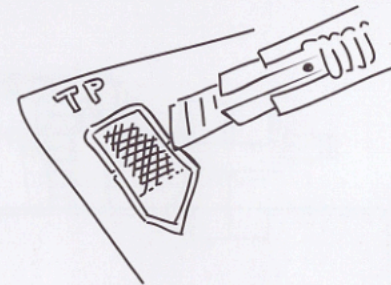
Instant Glue for Metal

## APPLYING DECALS

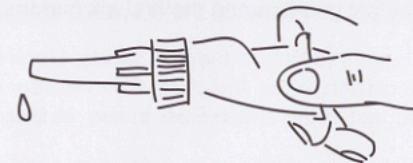
1. Clean the model surface with a wet cloth.
2. Cut out each decal design from sheet, and dip it in tepid water for 15~20 sec.
3. Hold the backing sheet edge and slide decal onto the model.
4. Move decal into position by wetting decal with finger.
5. Press decal gently down with a soft cloth until excess water and air bubbles are gone.



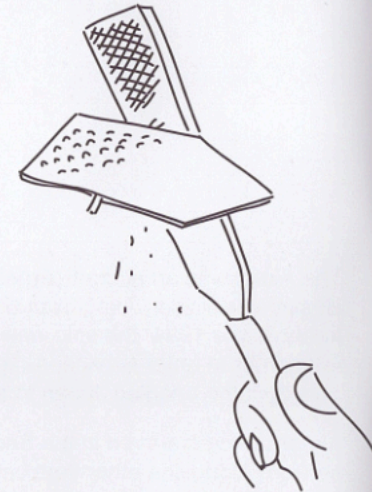
## REMOVING PE



Be careful not to hurt when removing PE parts.

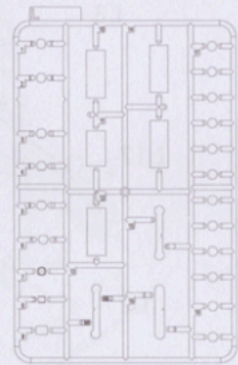
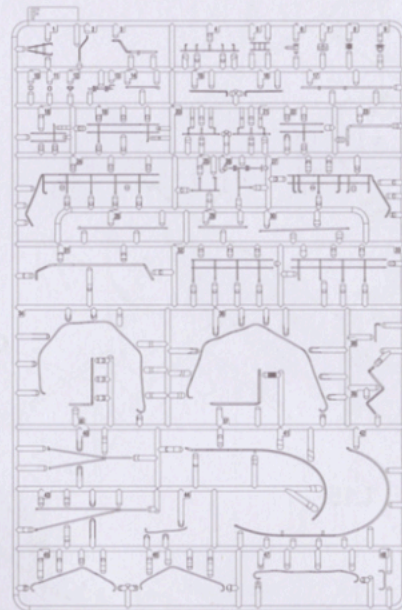
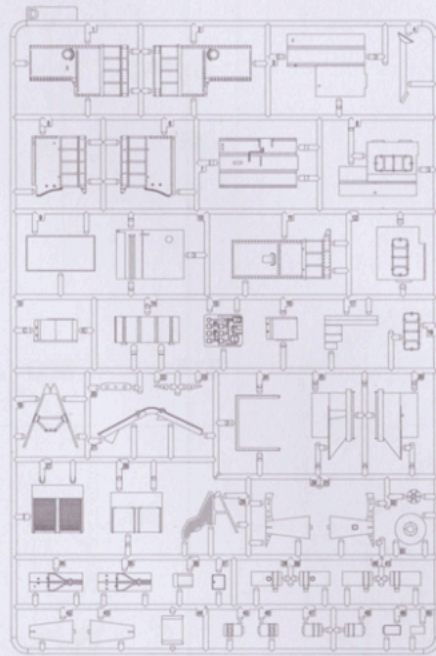
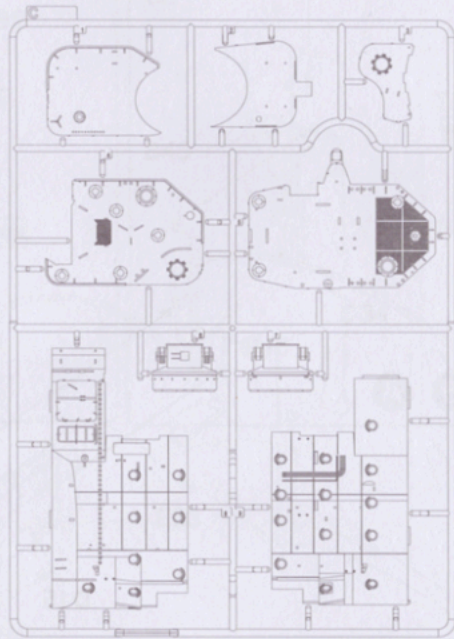
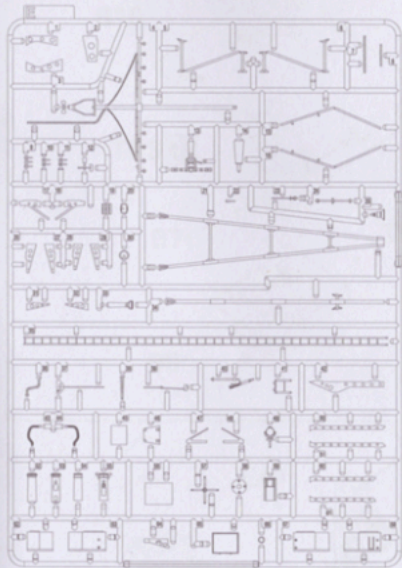


Secure using instant glue (not included).

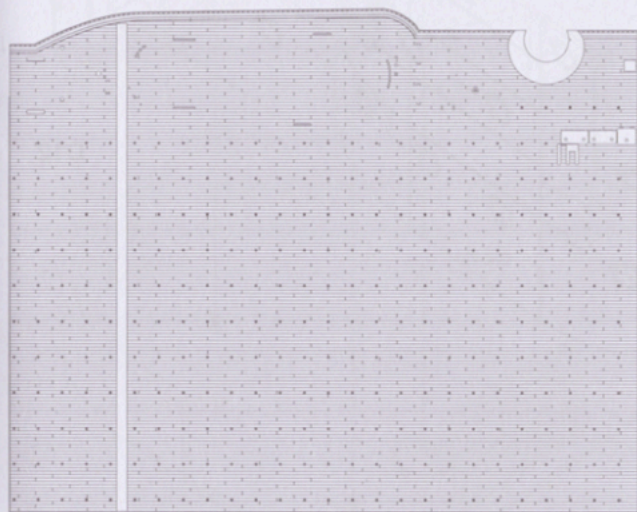


Finish using file.

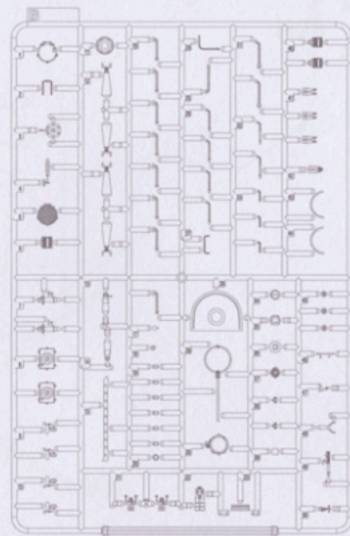
# PARTS



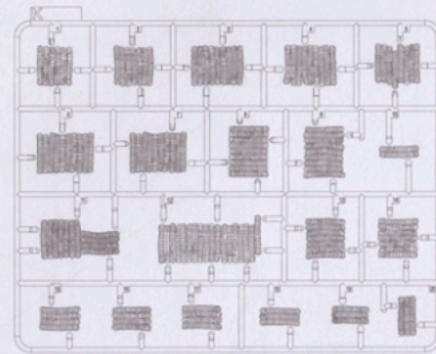
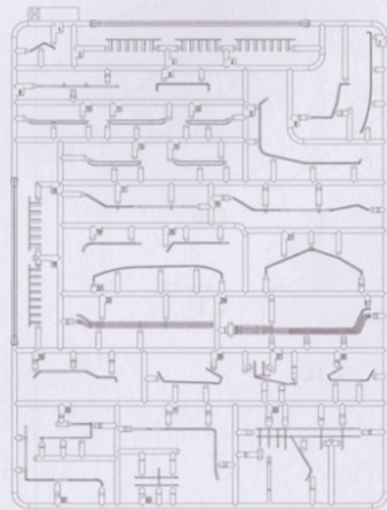
TP



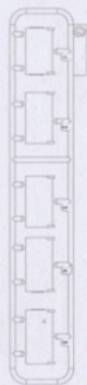
A



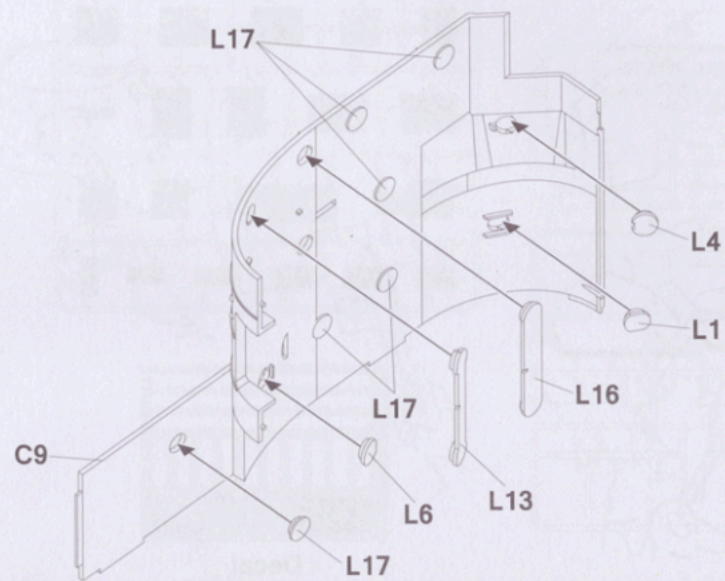
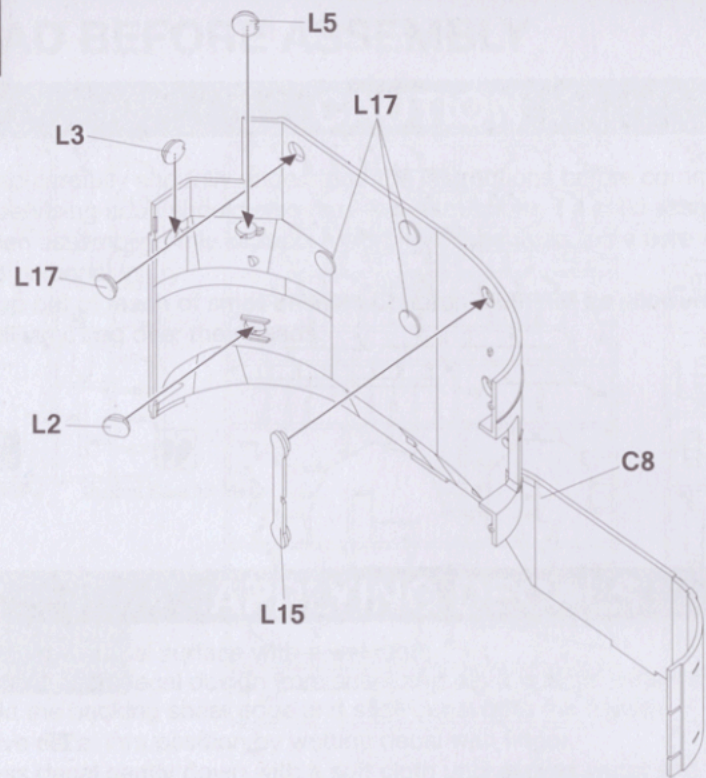
X2



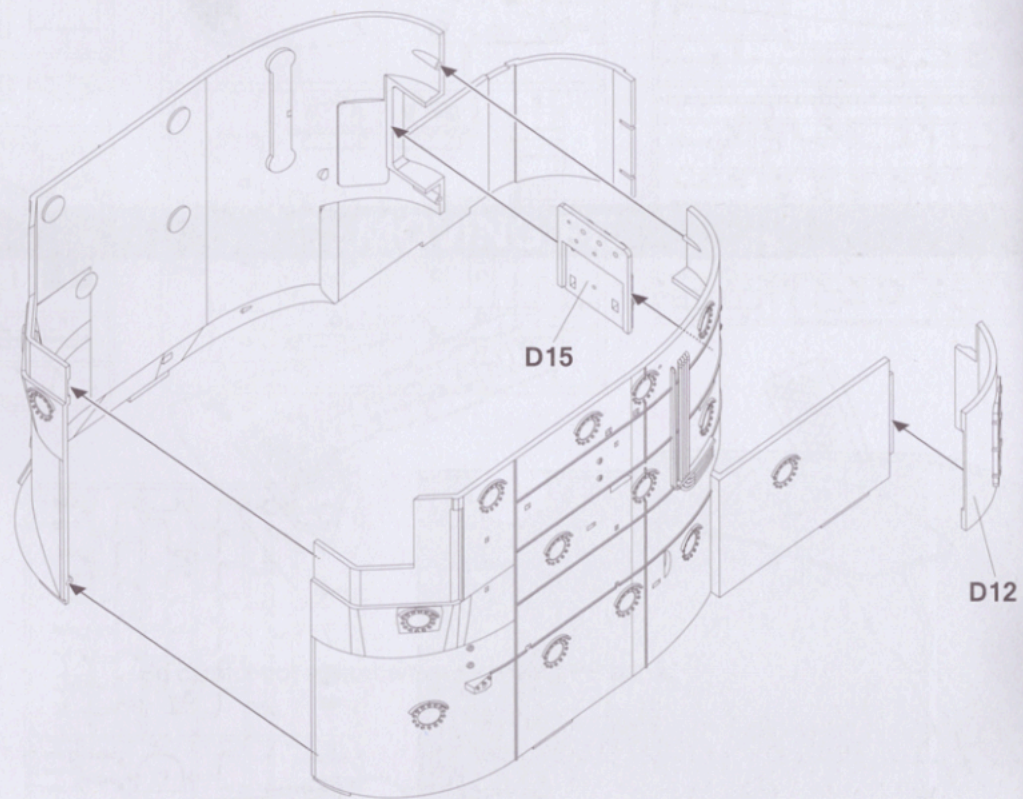
Decal

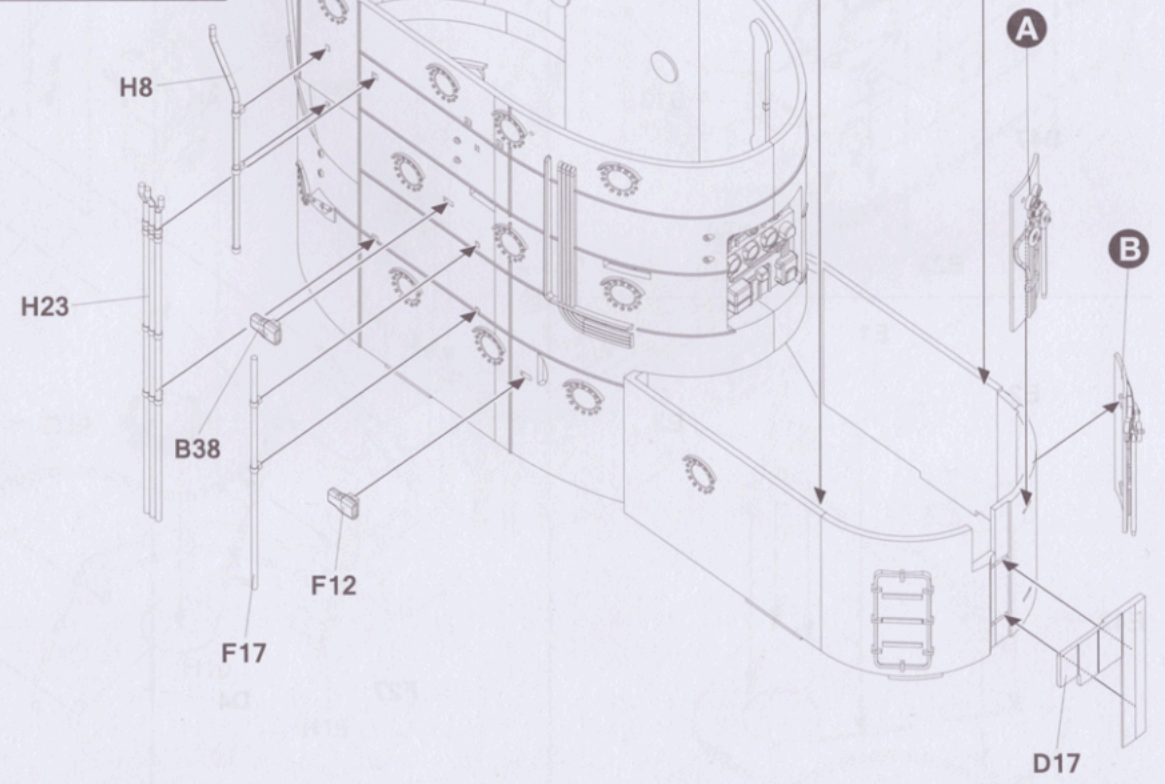
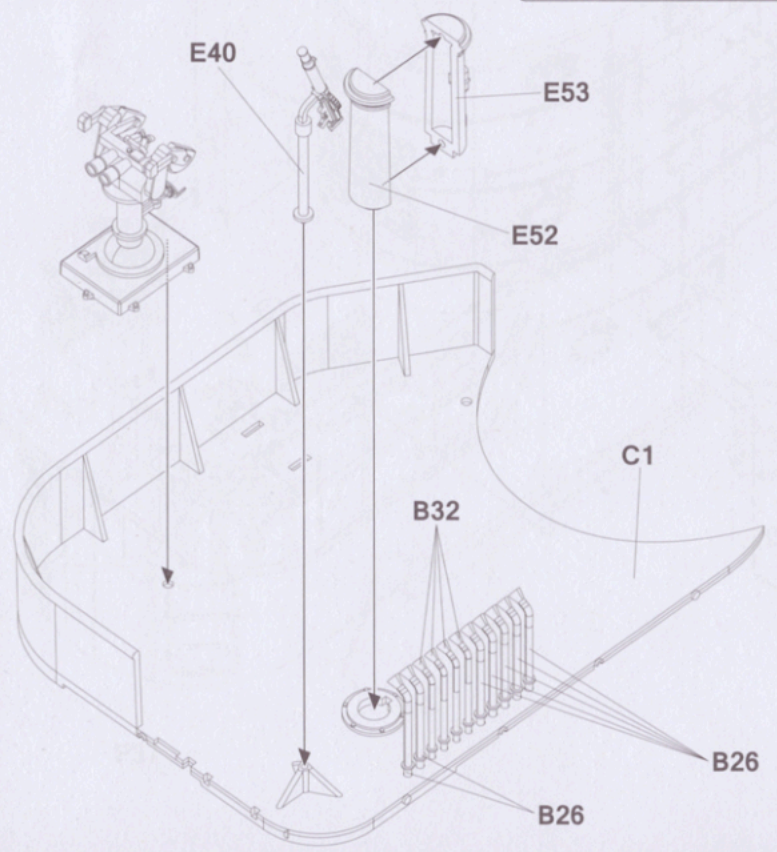
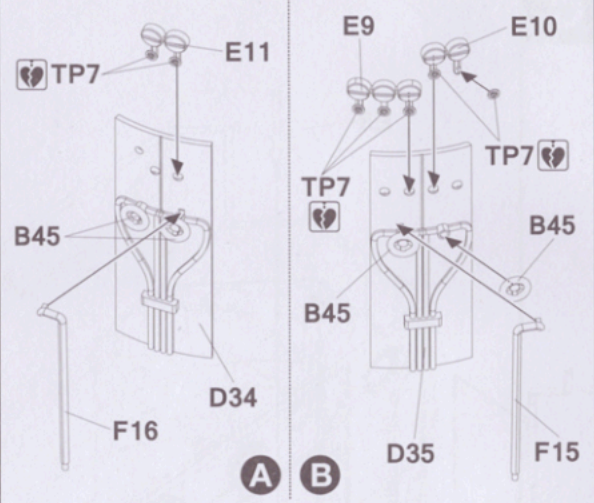
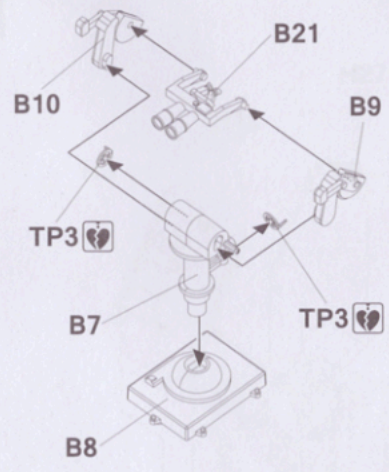


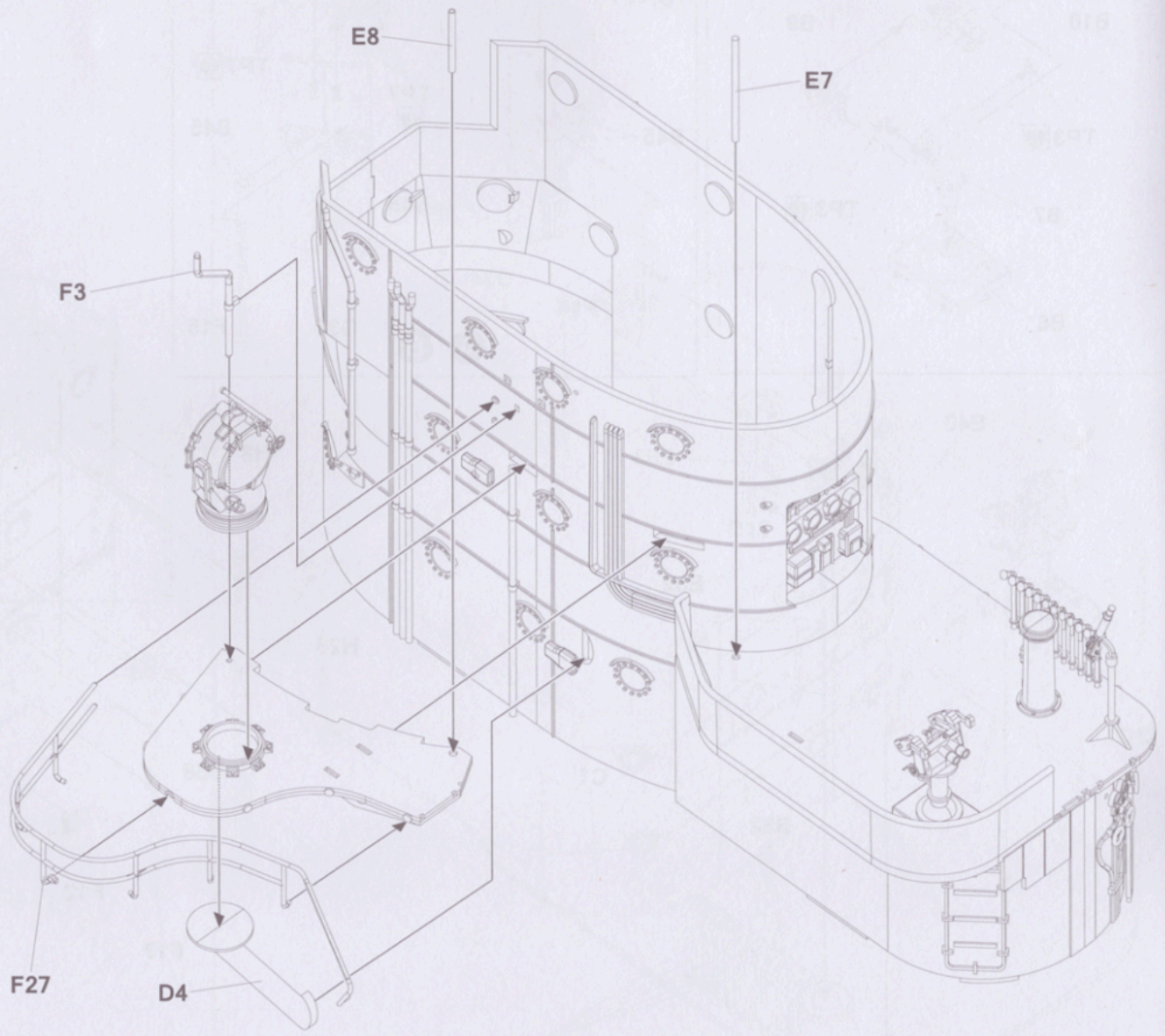
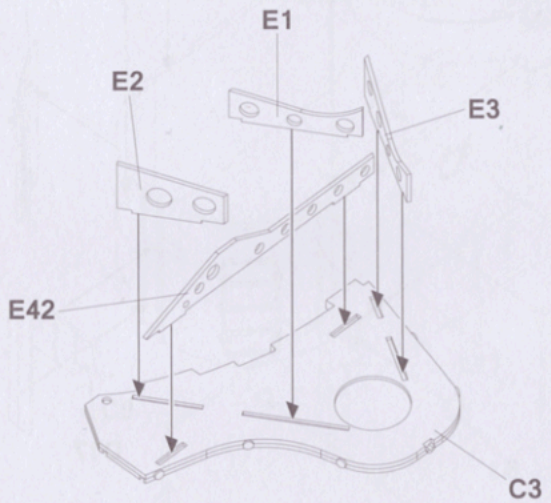
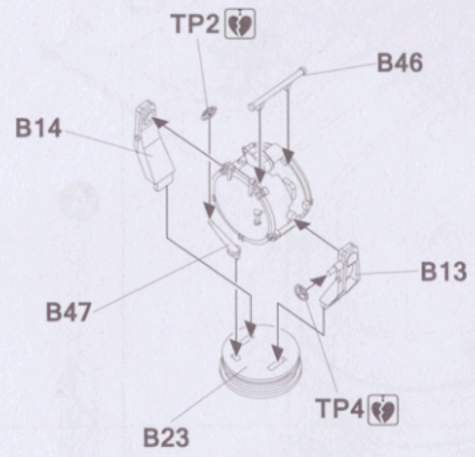
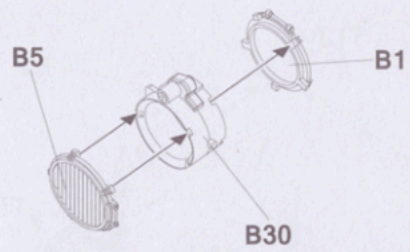
1



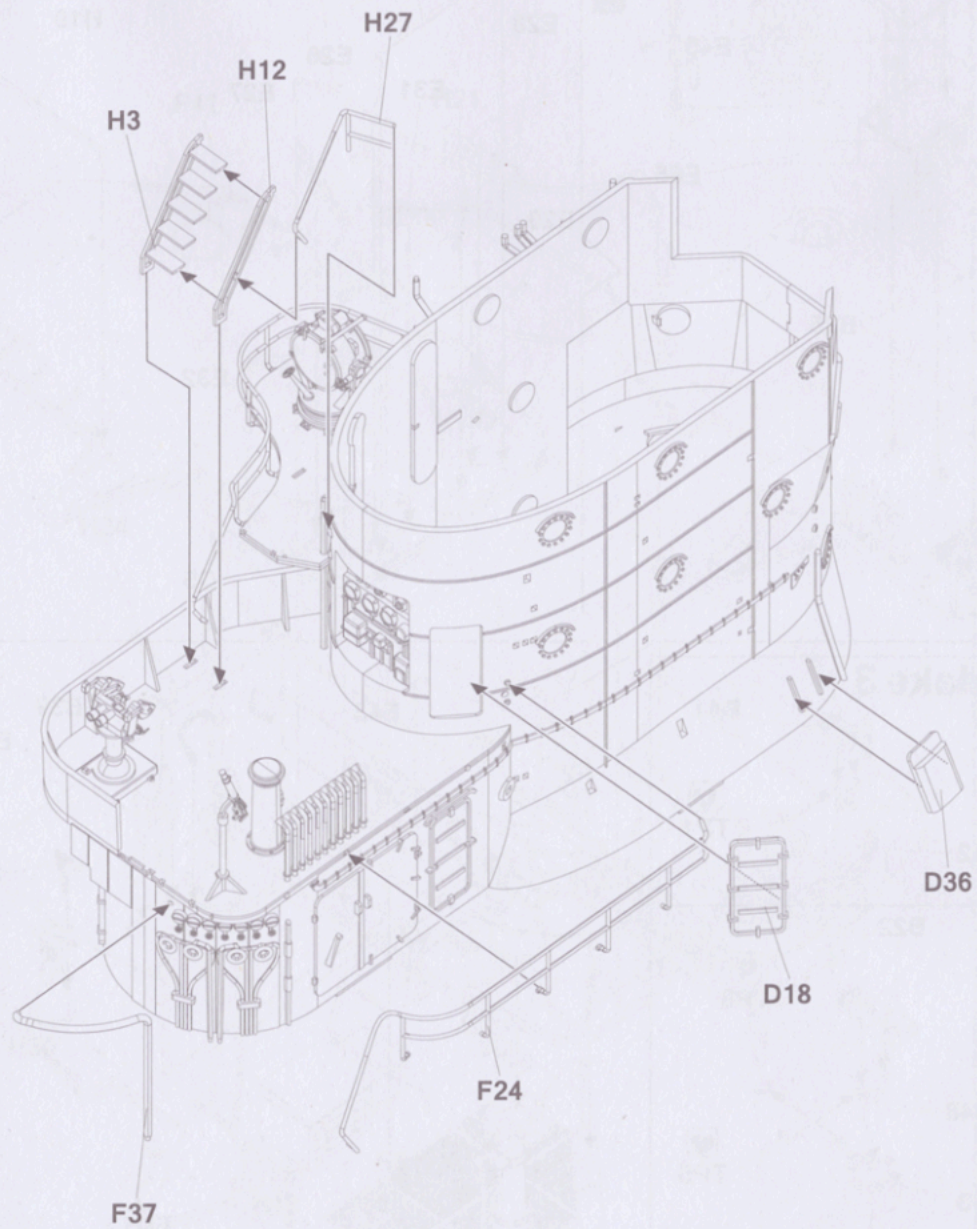
3



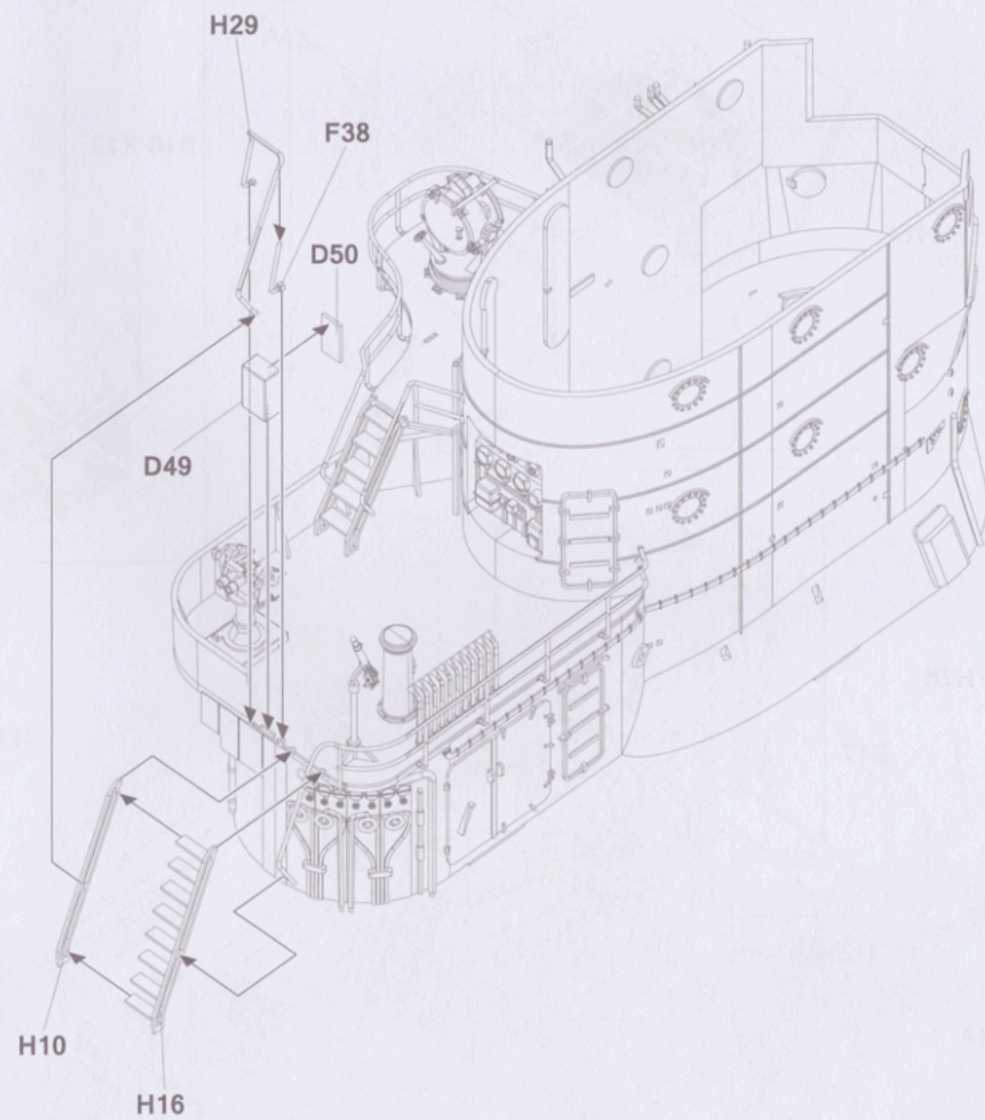




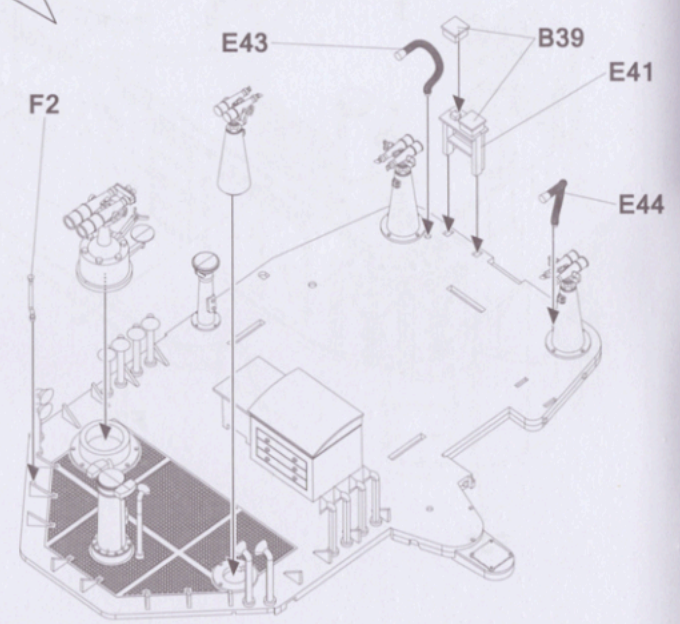
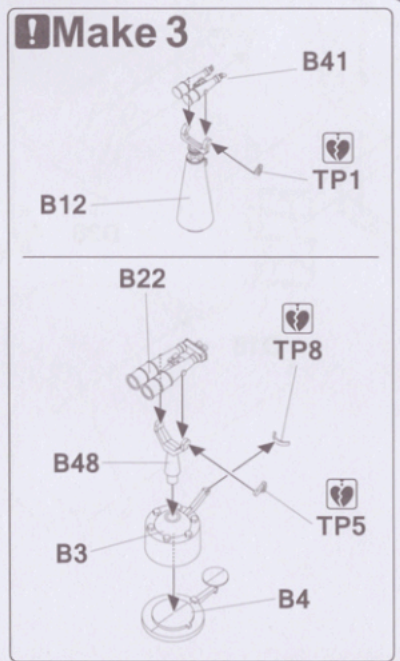
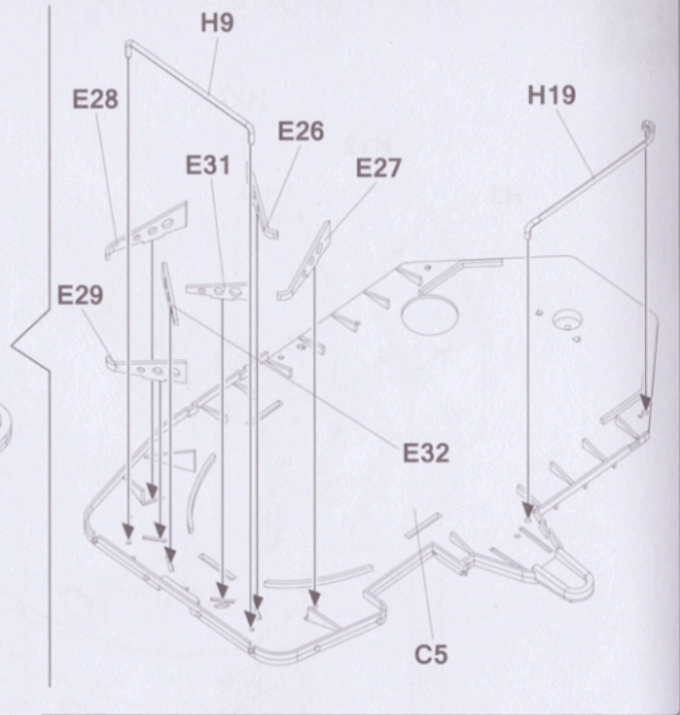
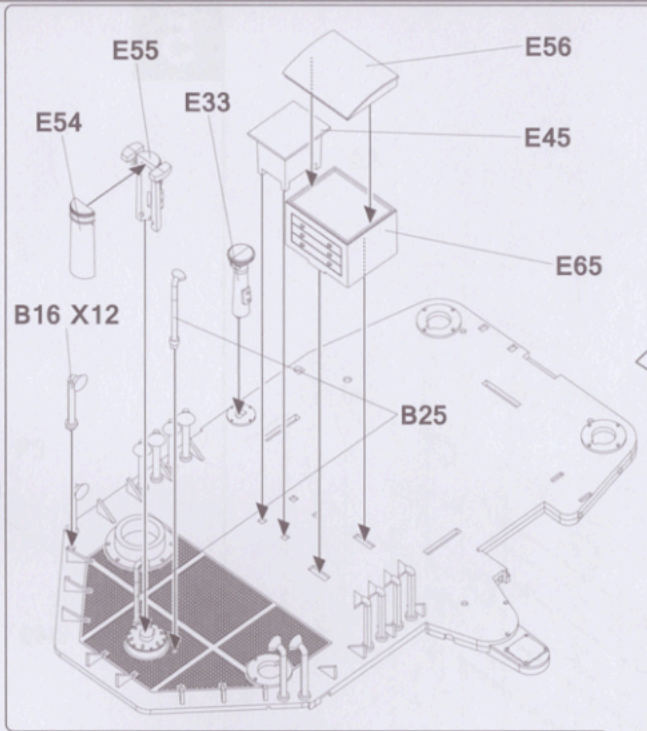
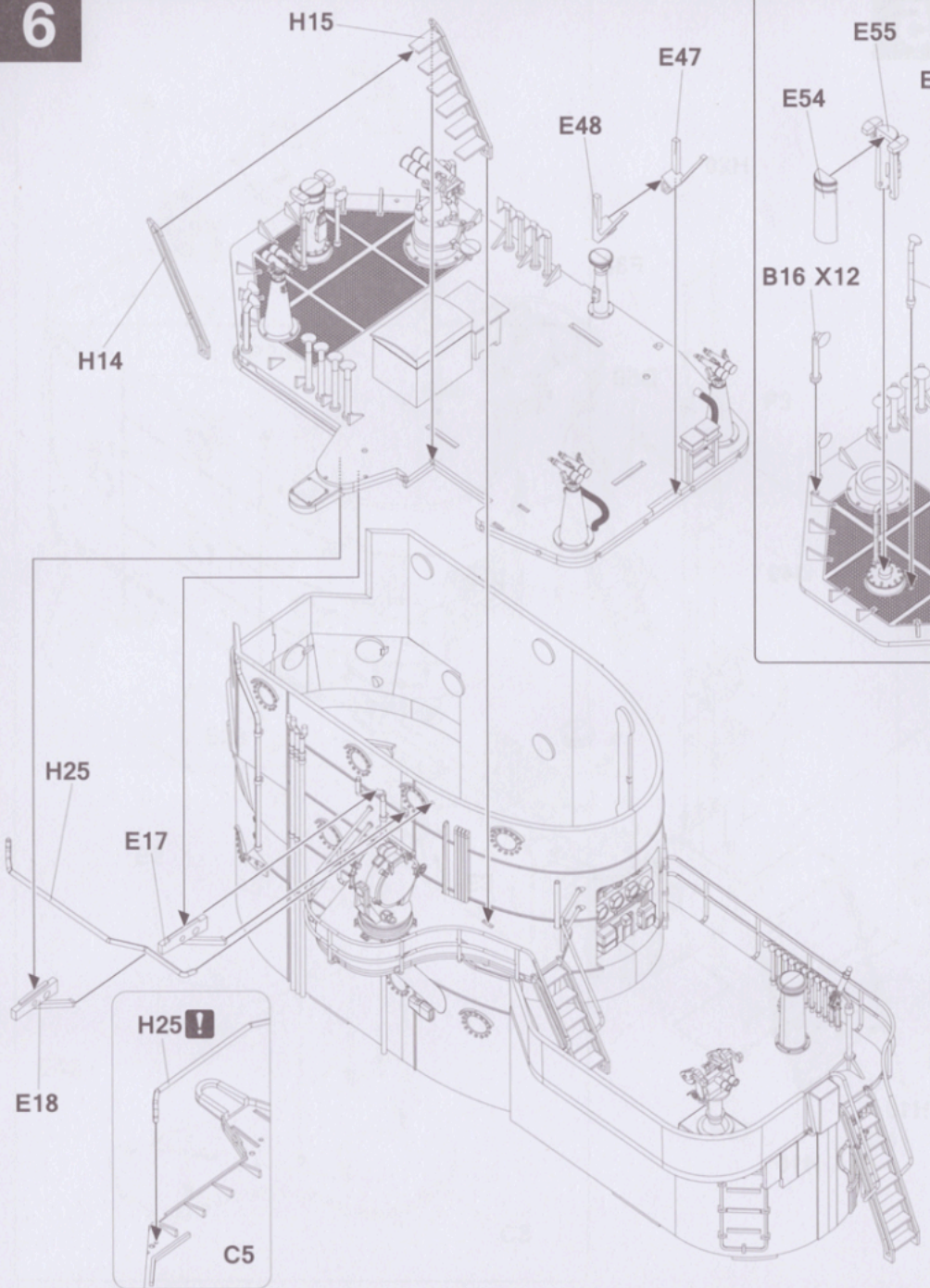
4



5

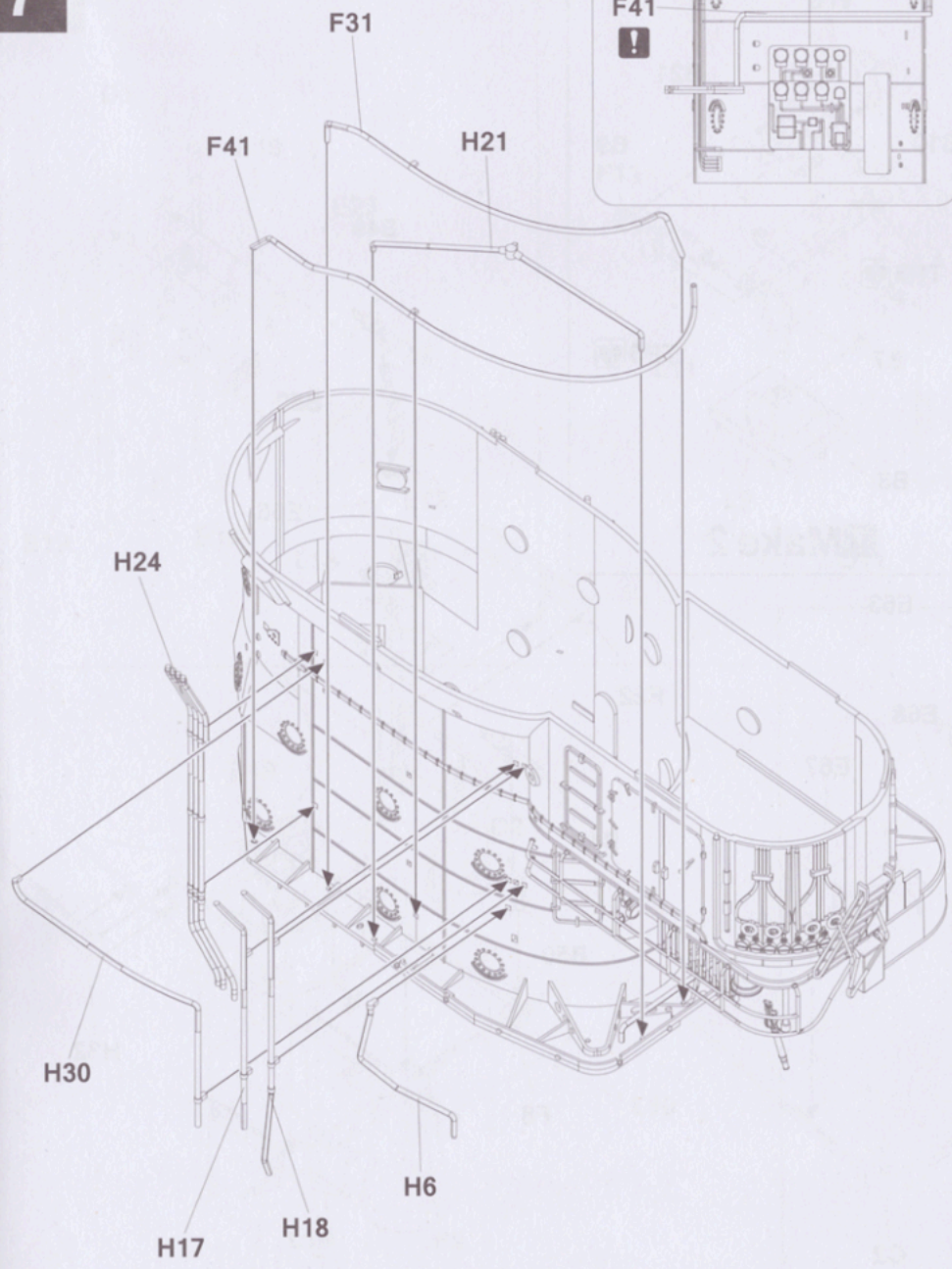


6

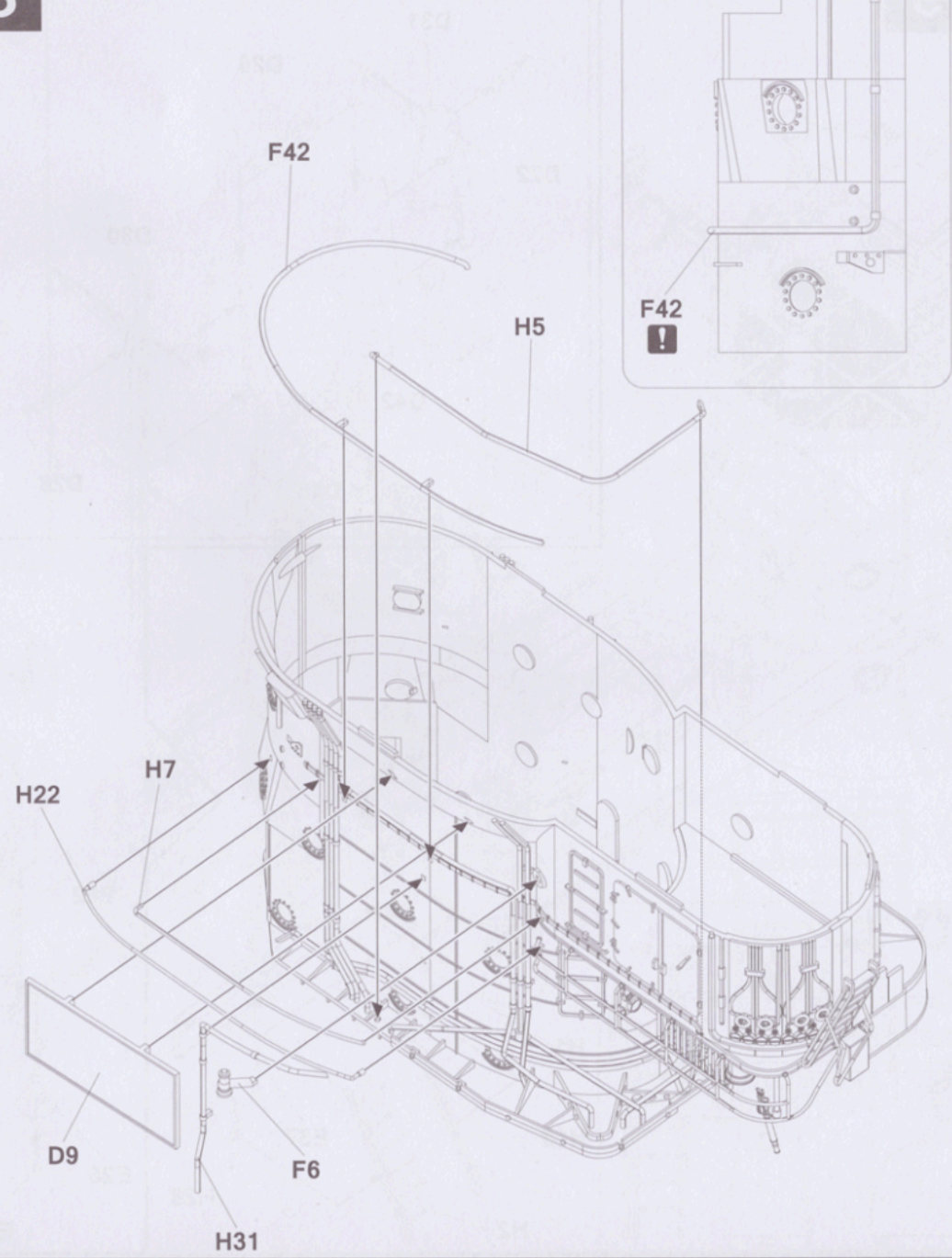




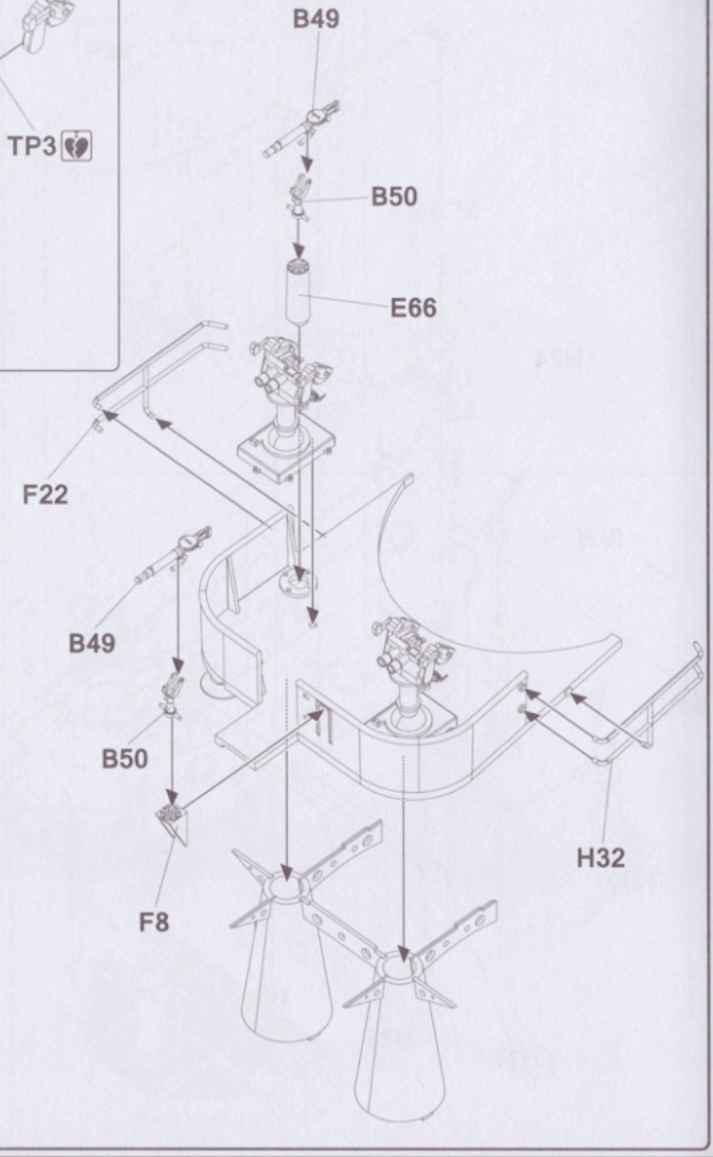
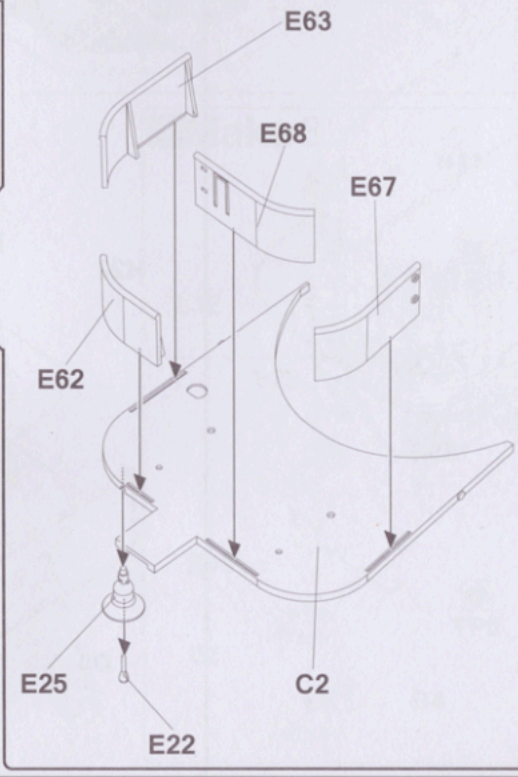
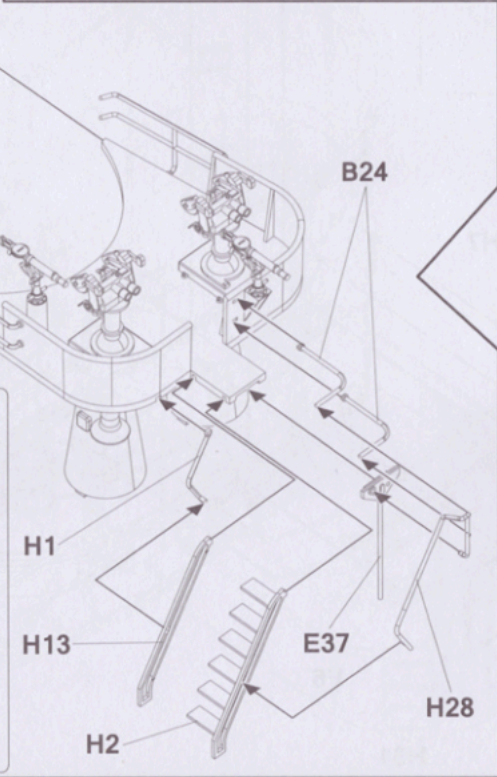
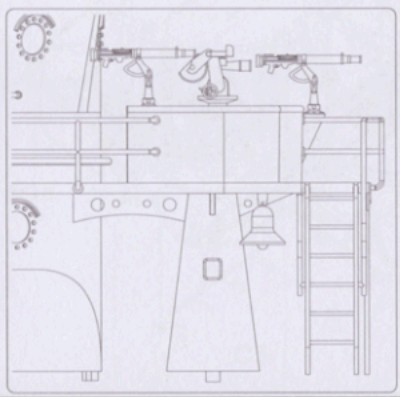
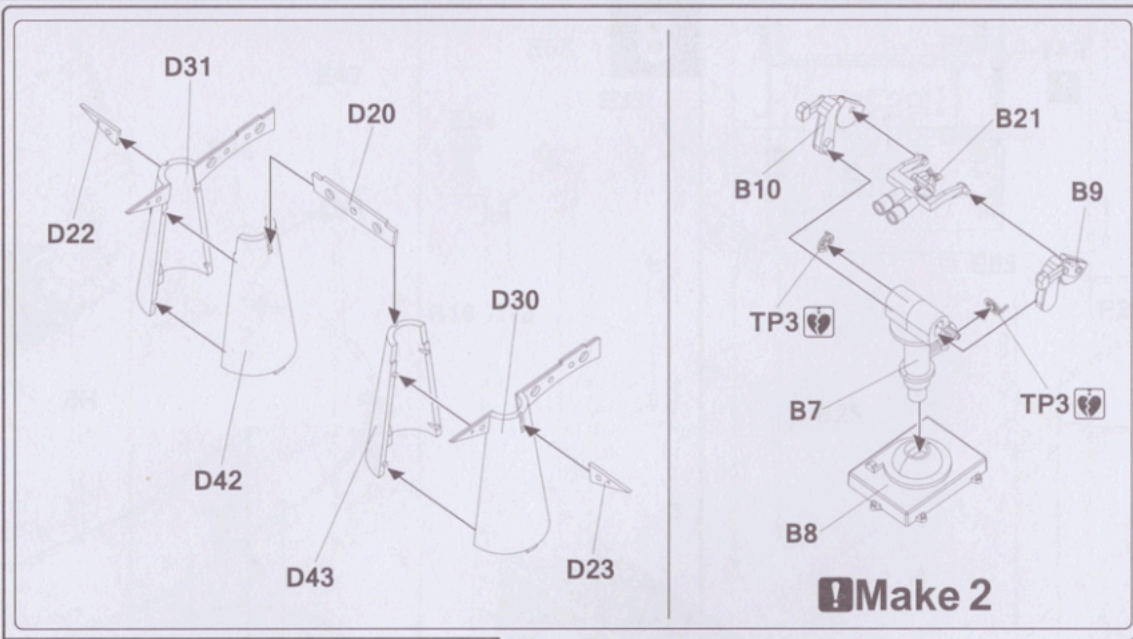
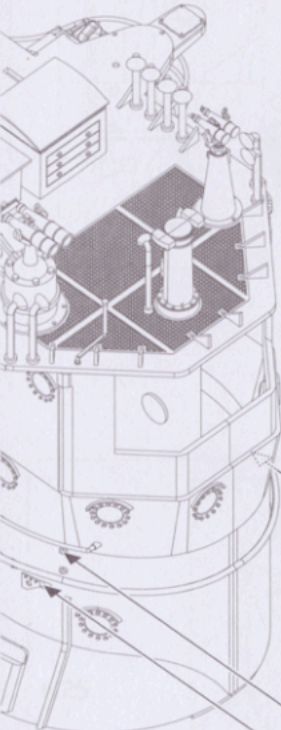
7

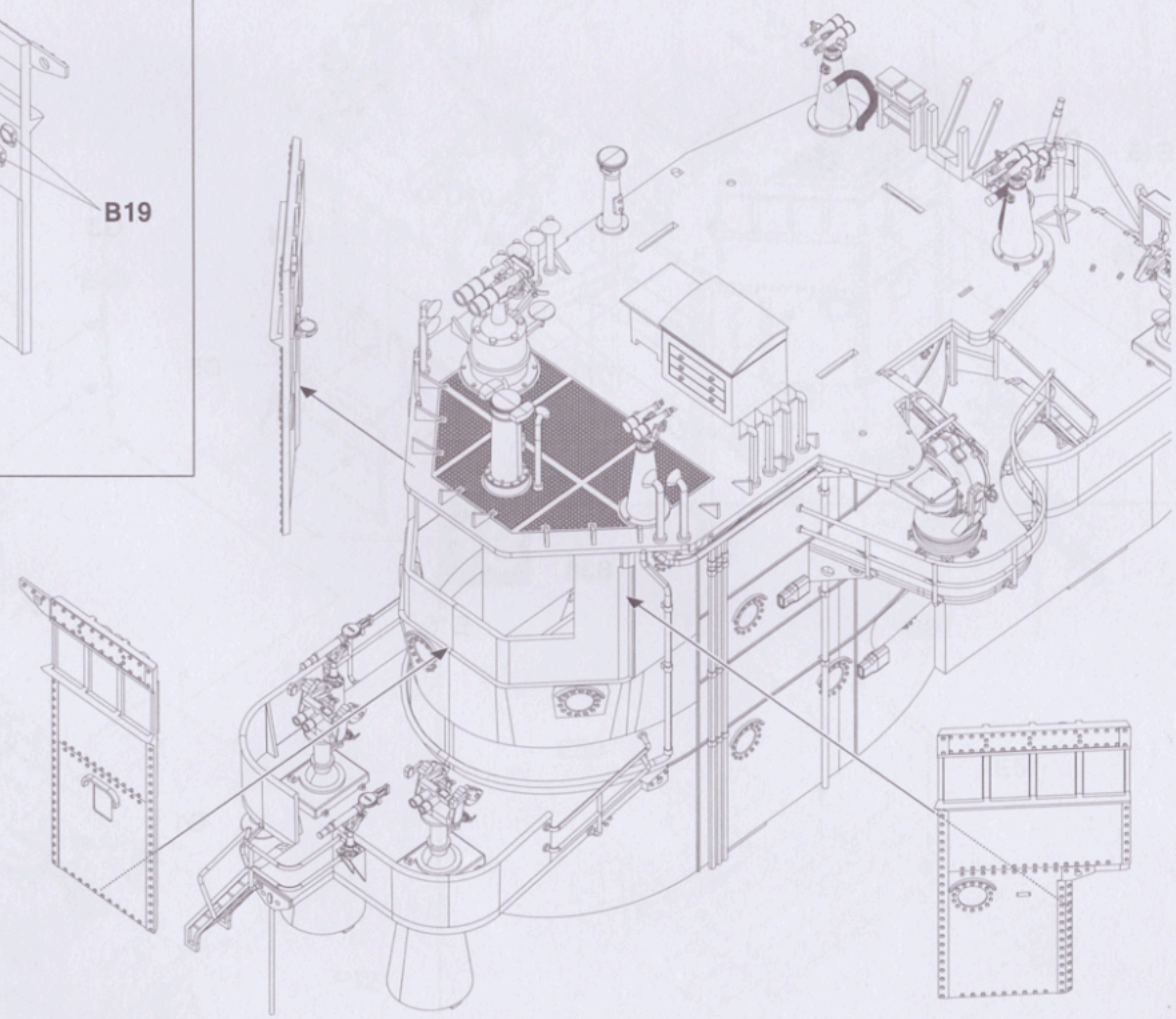
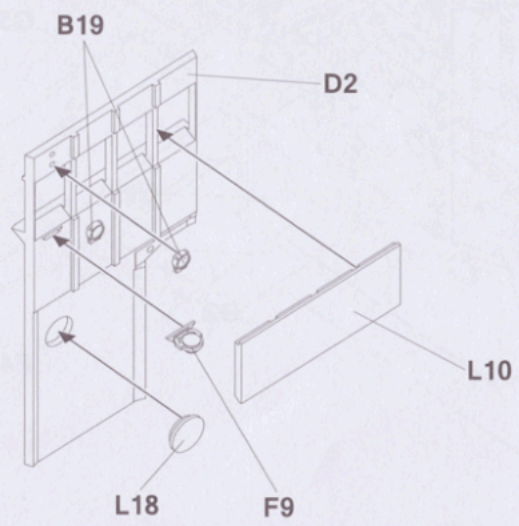
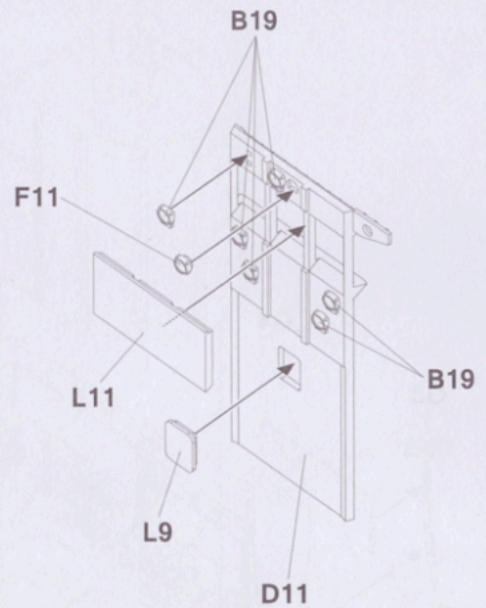
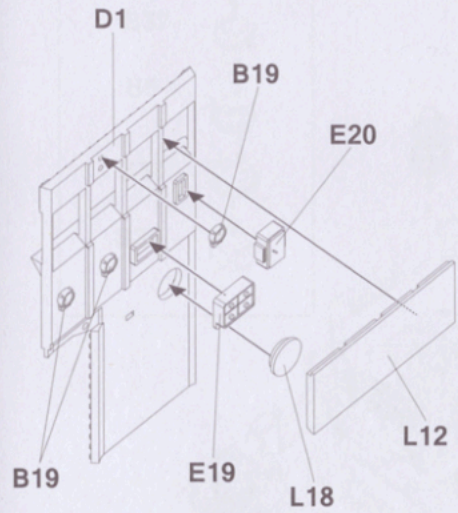


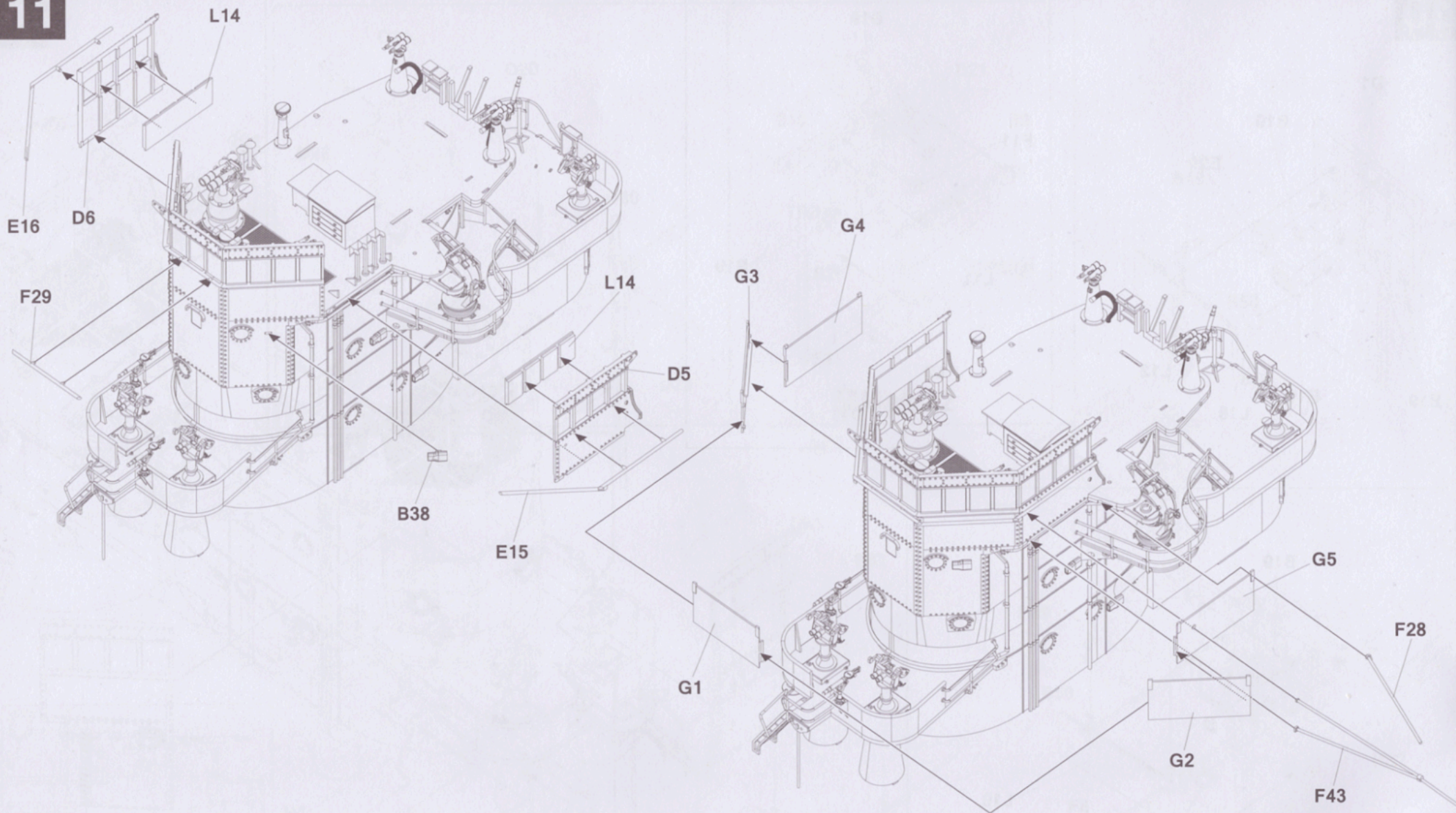
8



8

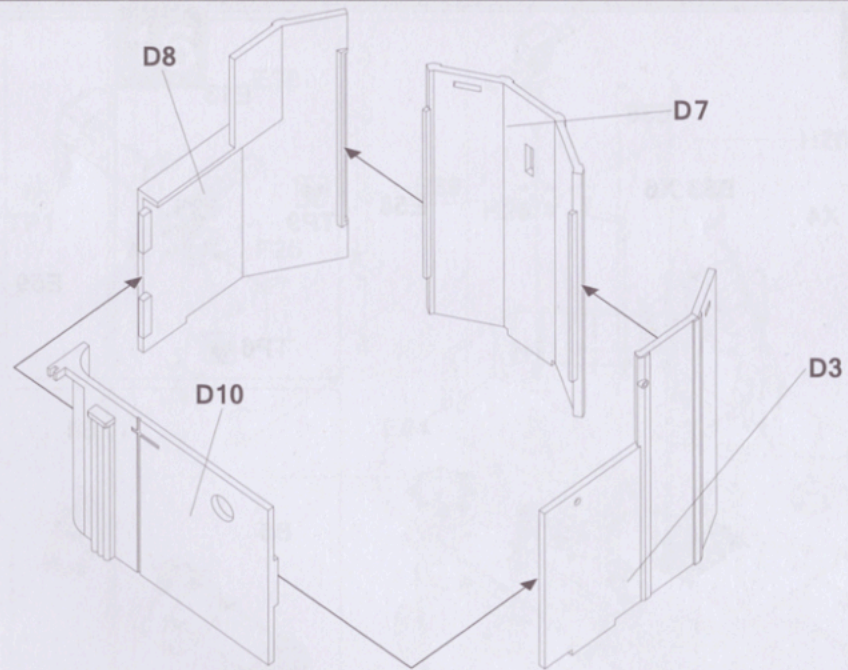
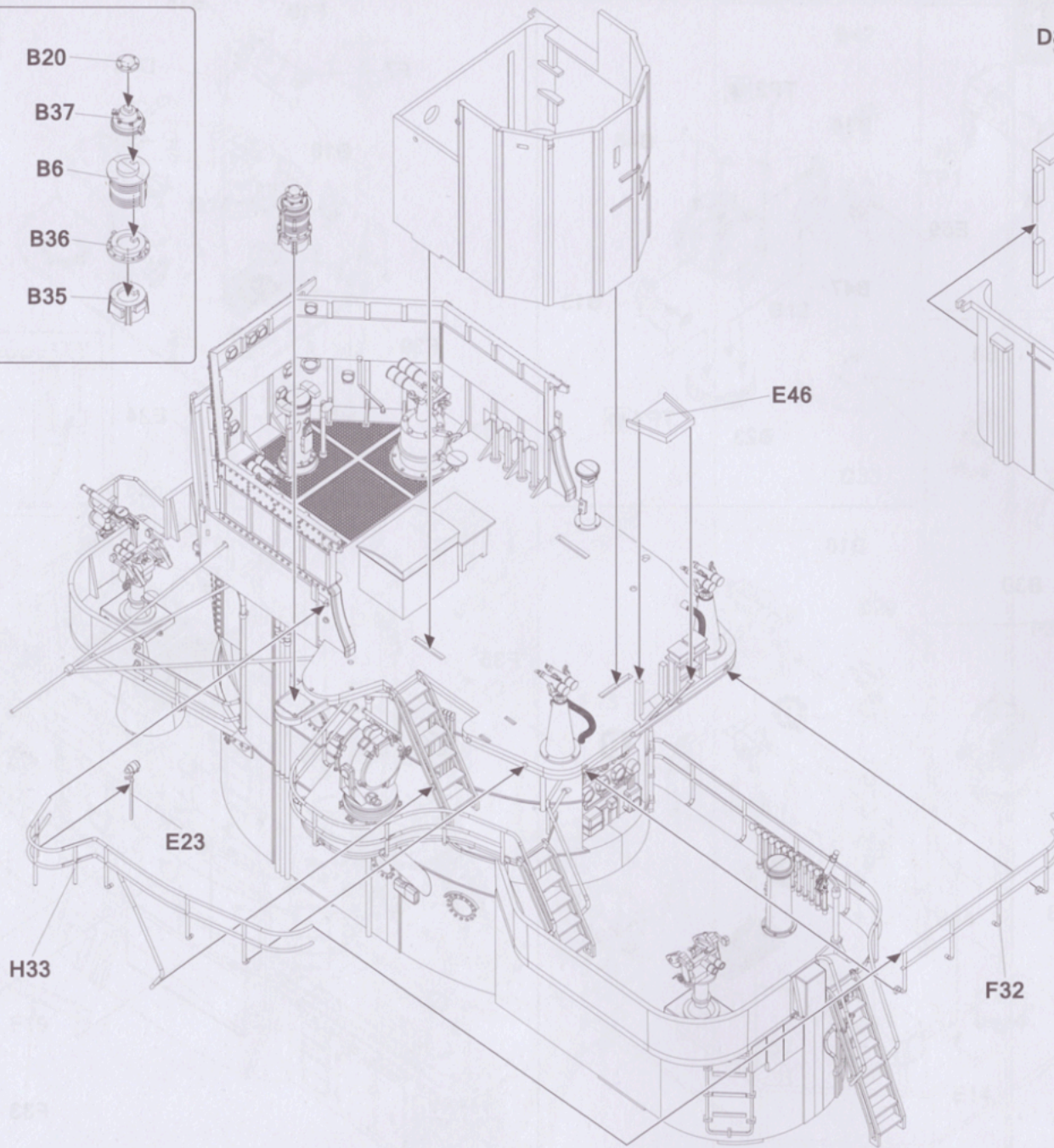




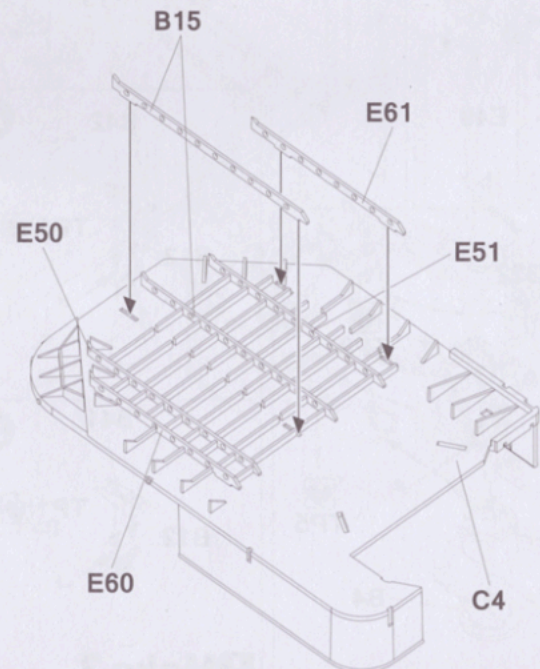


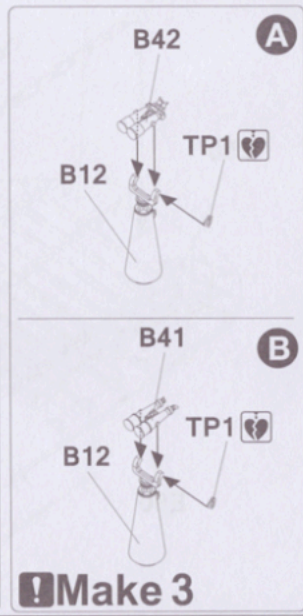
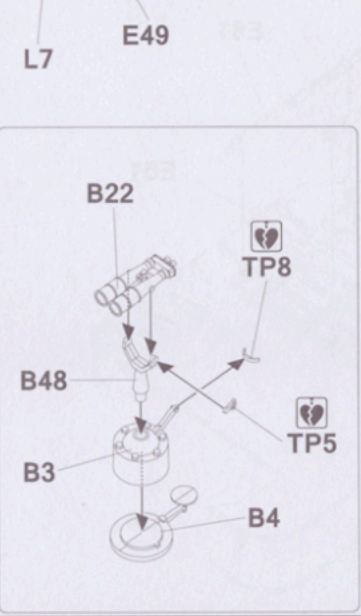
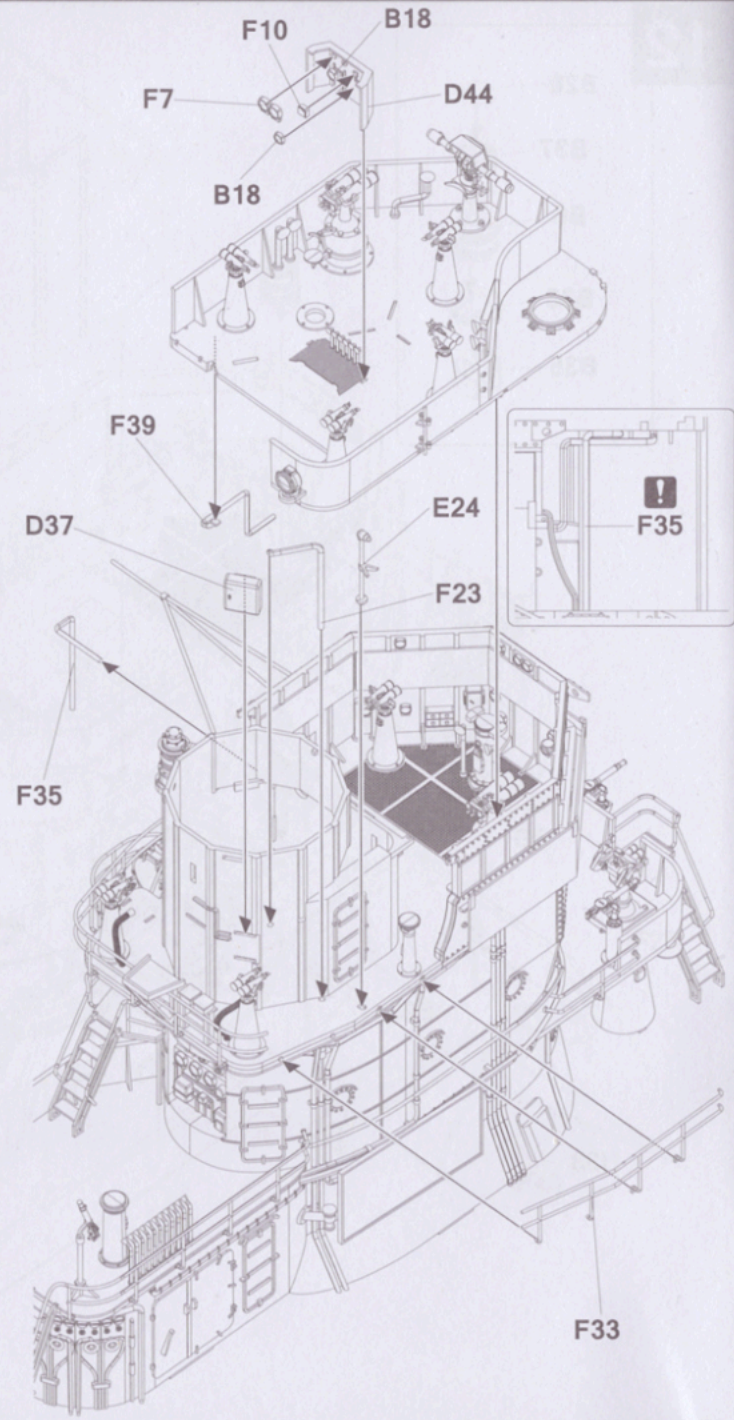
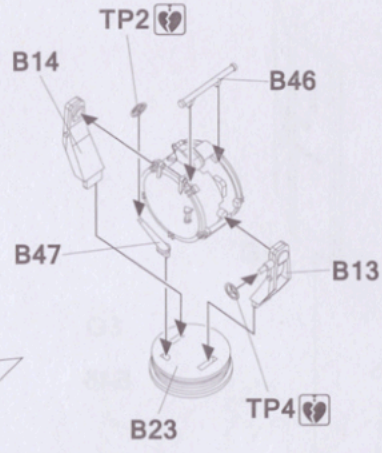
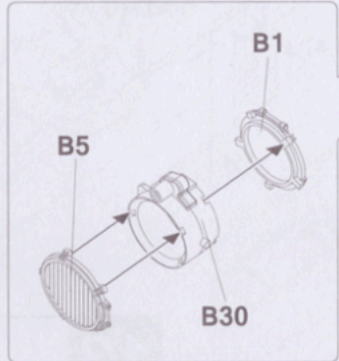
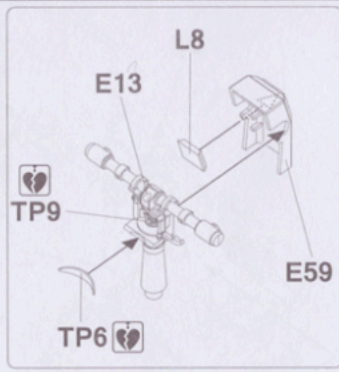
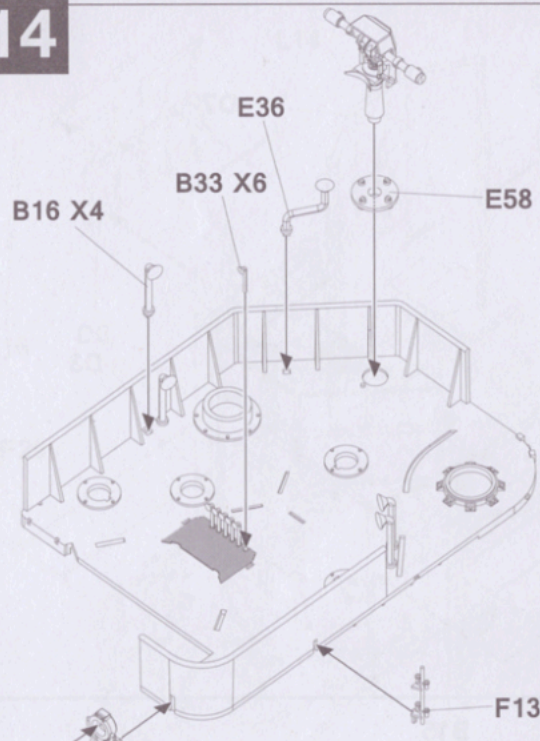
12

- B20
- B37
- B6
- B36
- B35

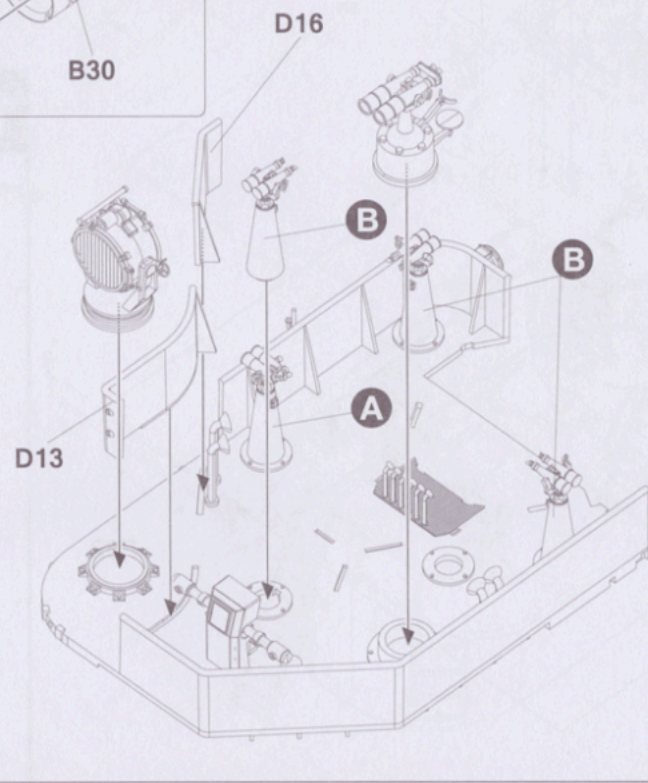


13

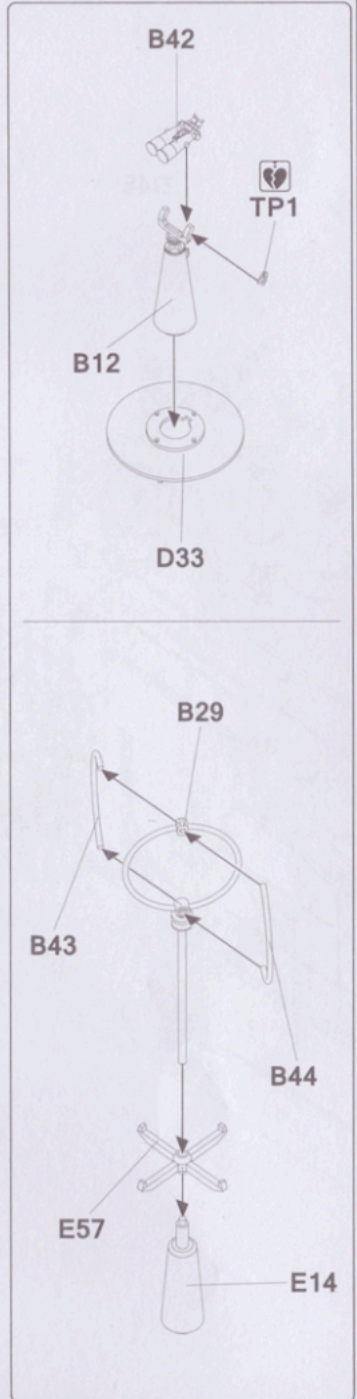
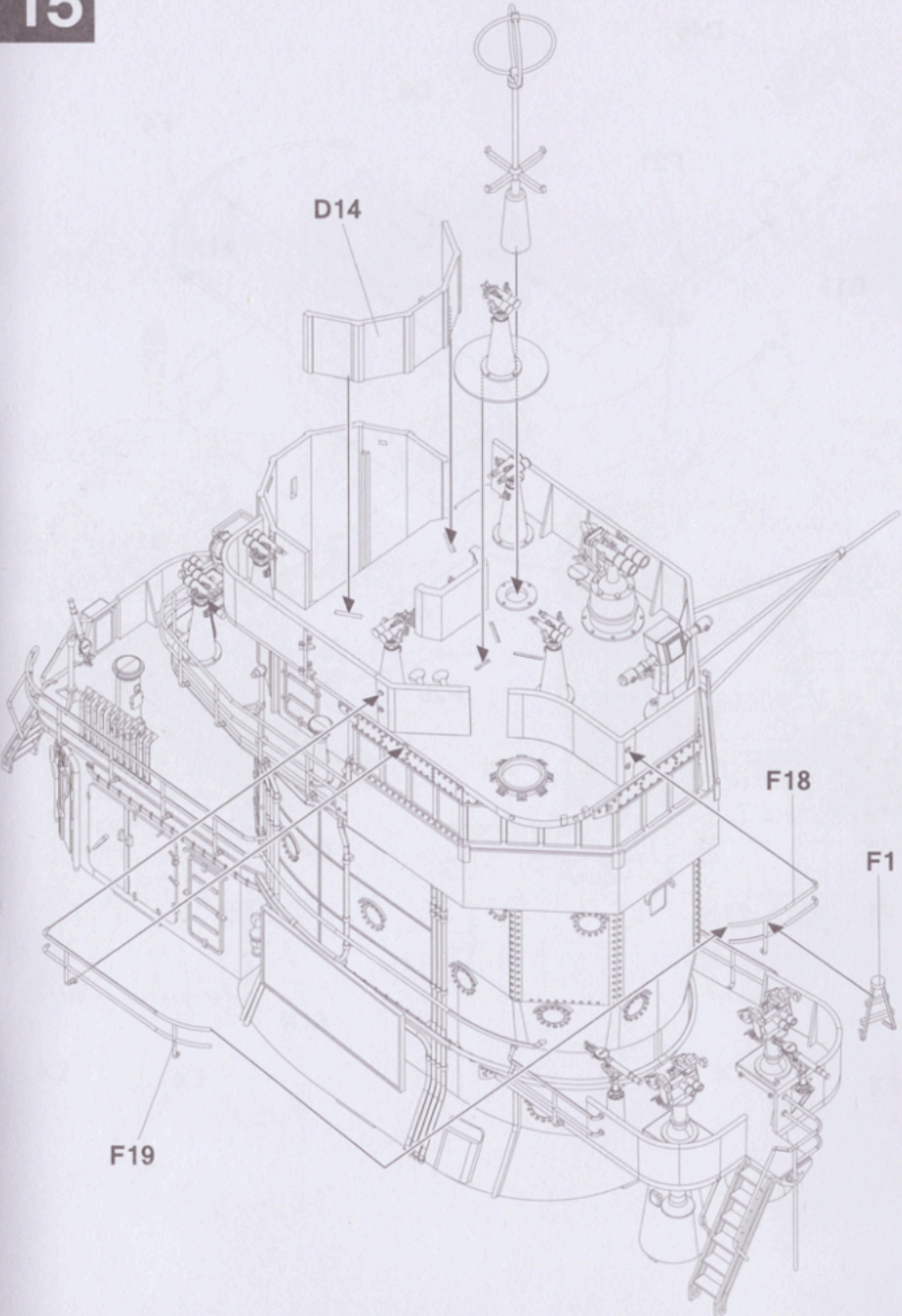




**Make 3**

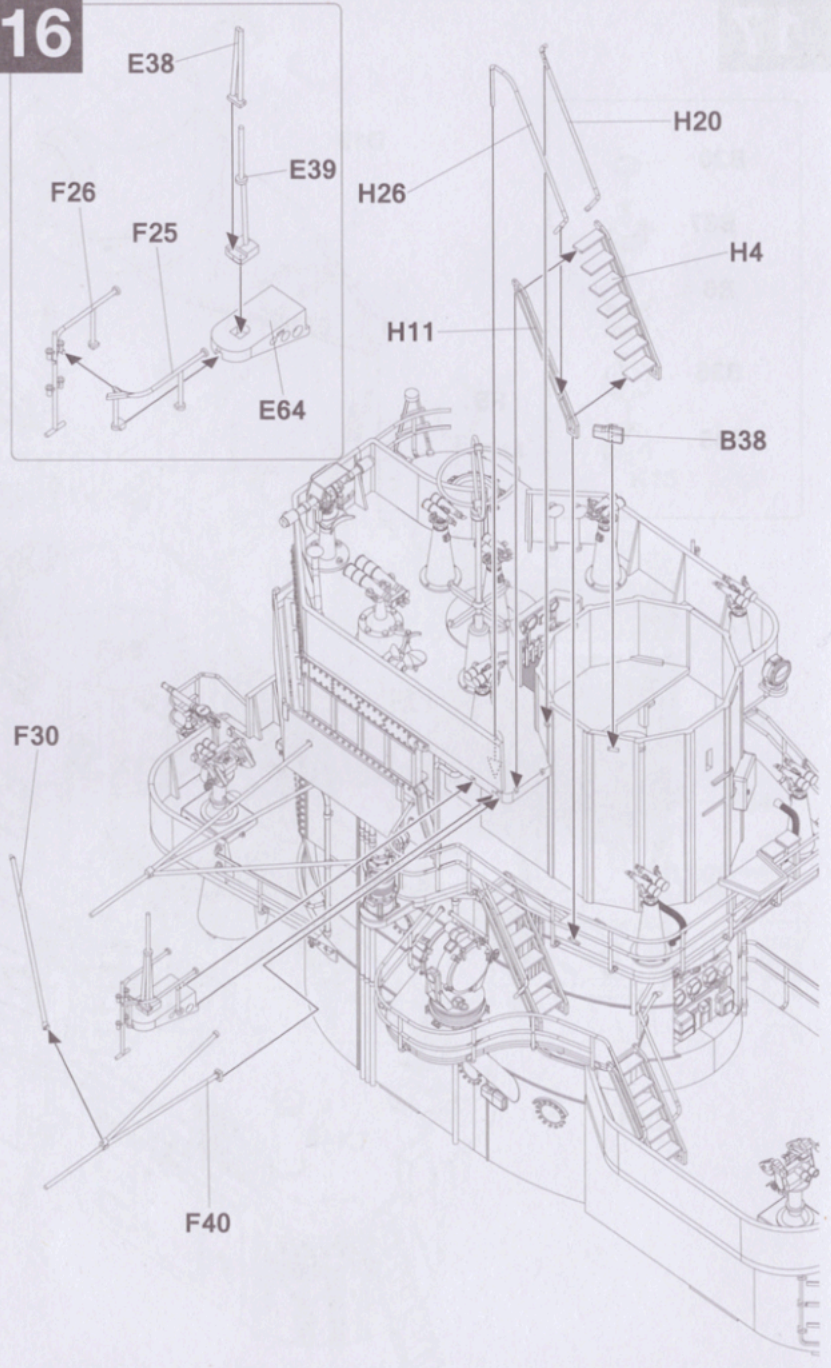


15



14

16

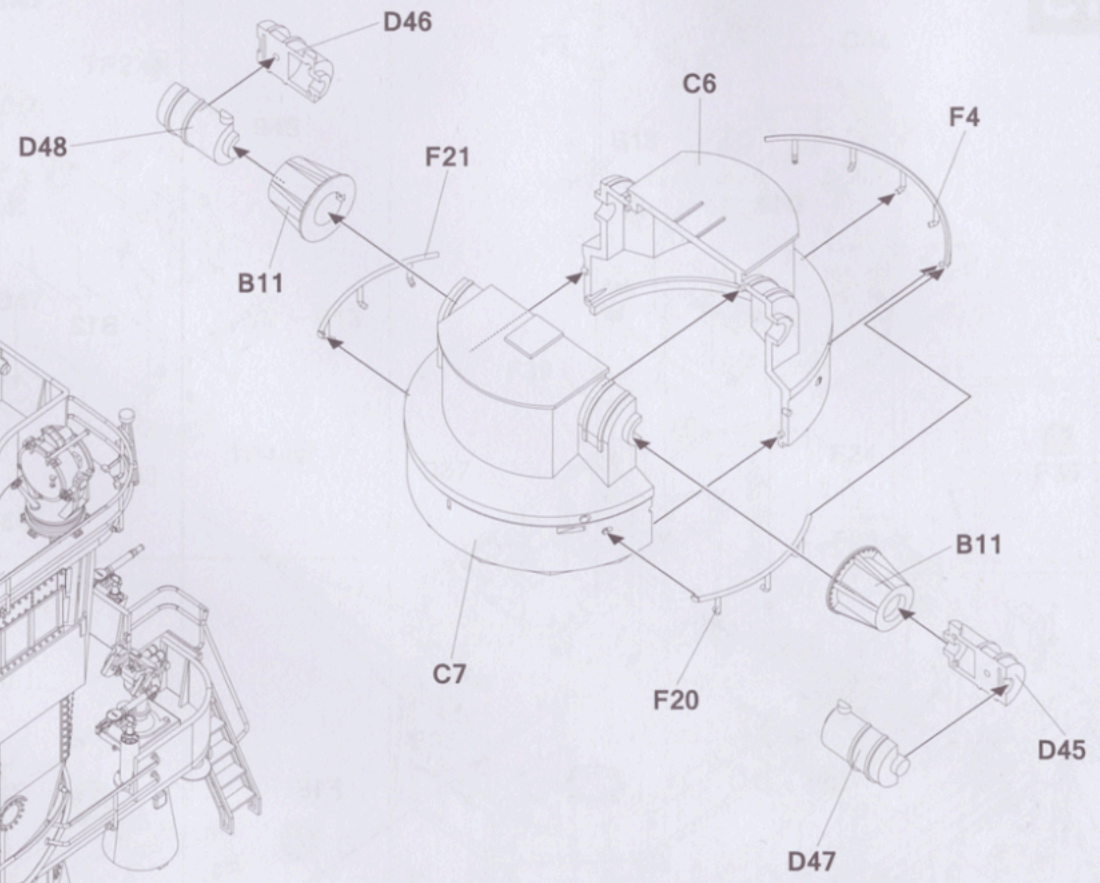
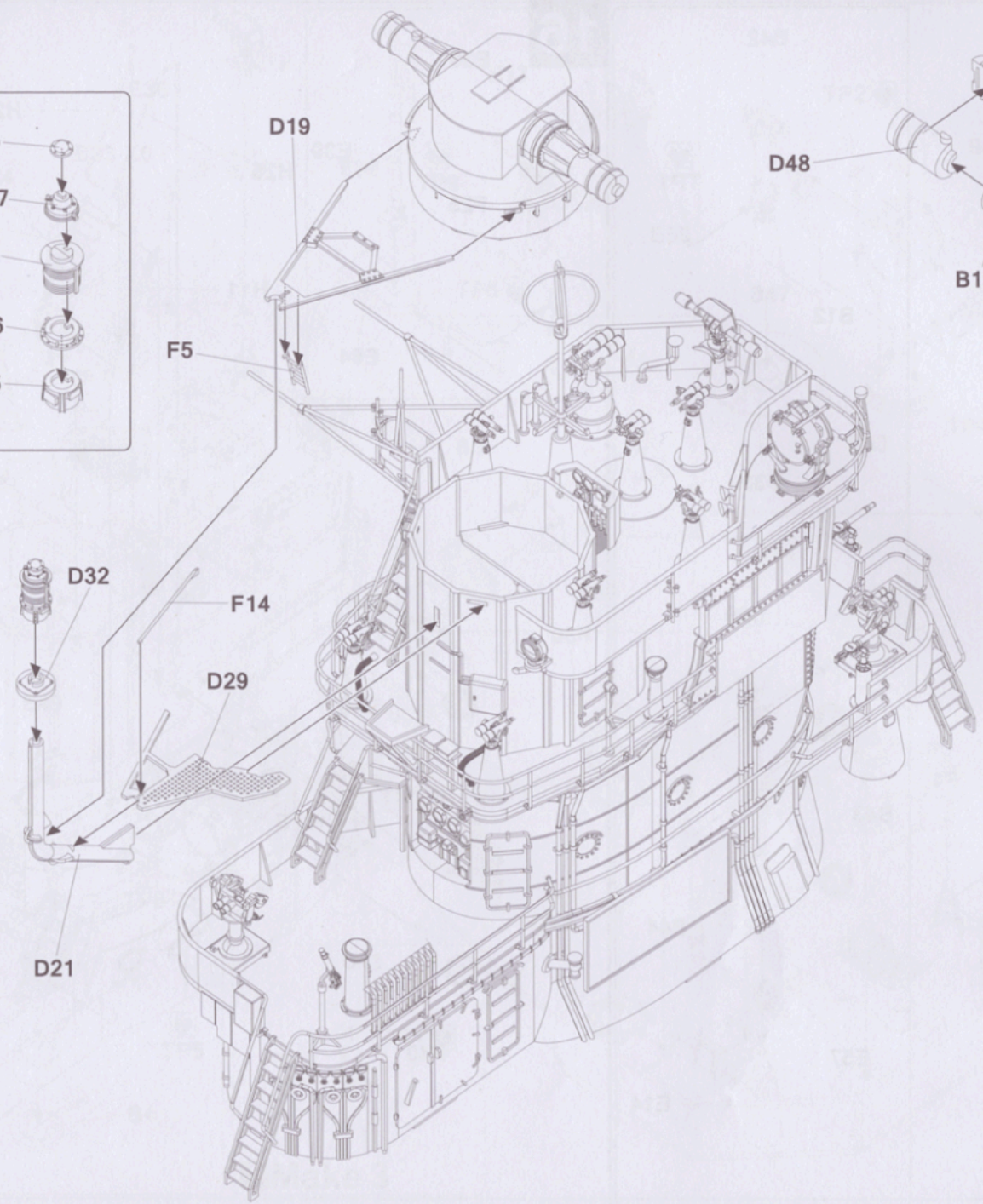
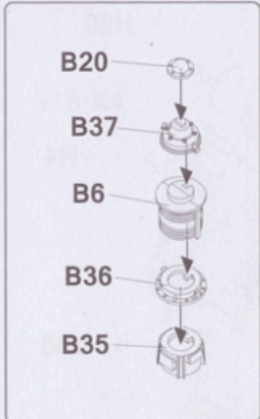


H20

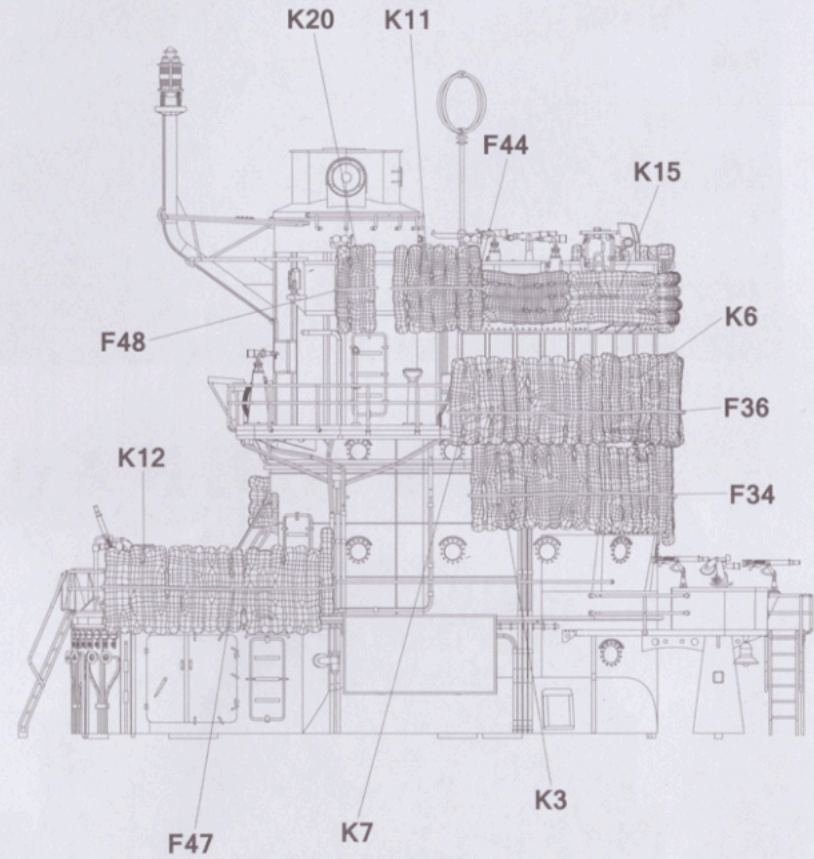
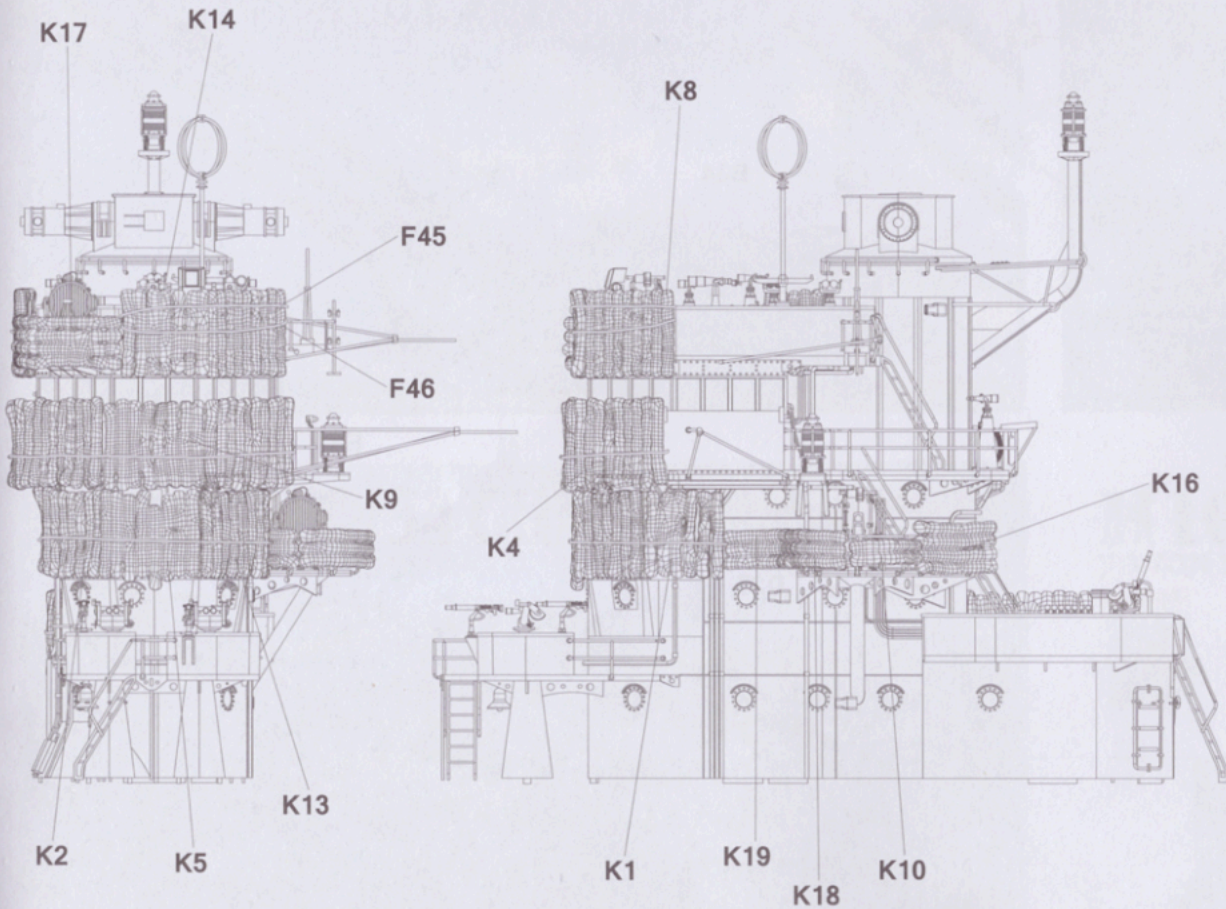
H4

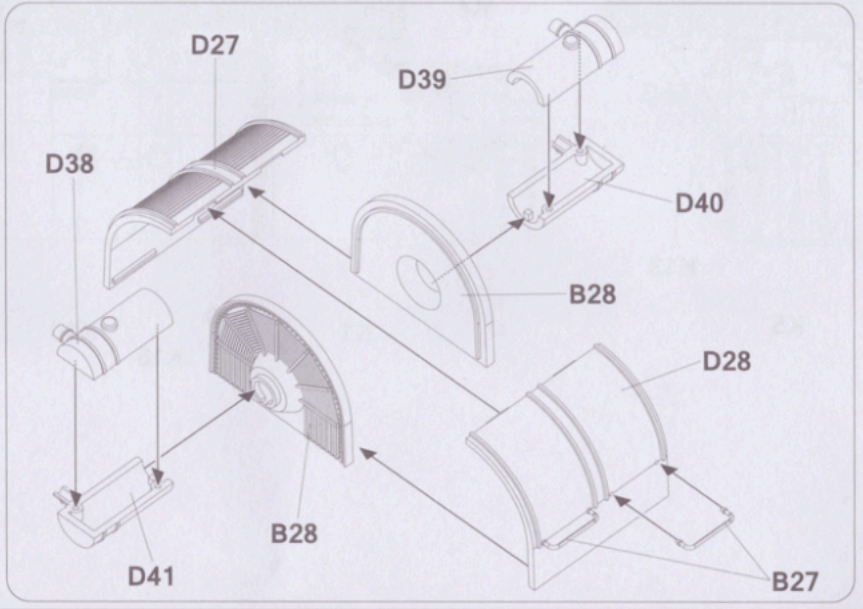
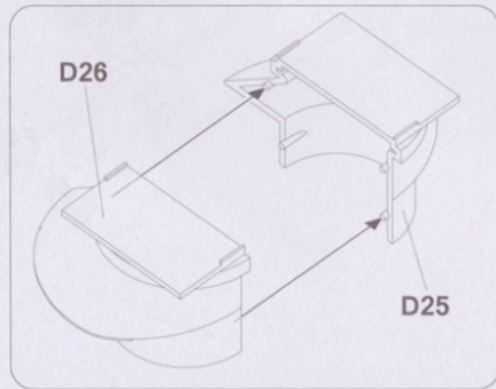
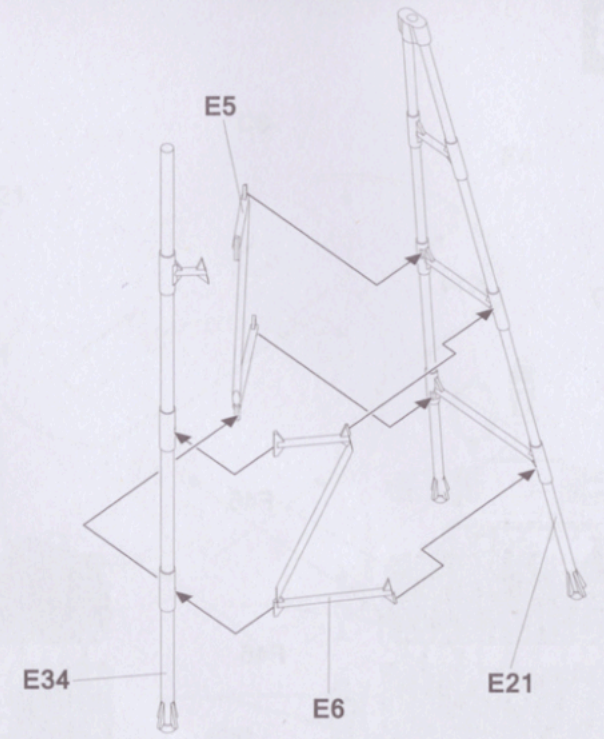
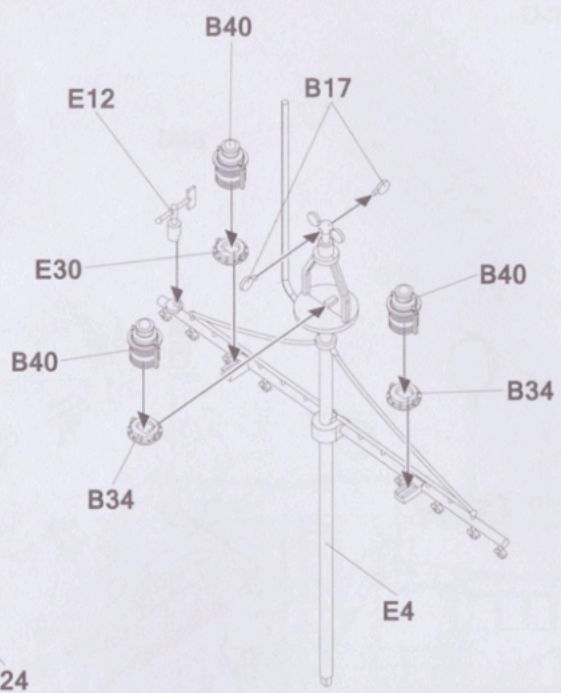
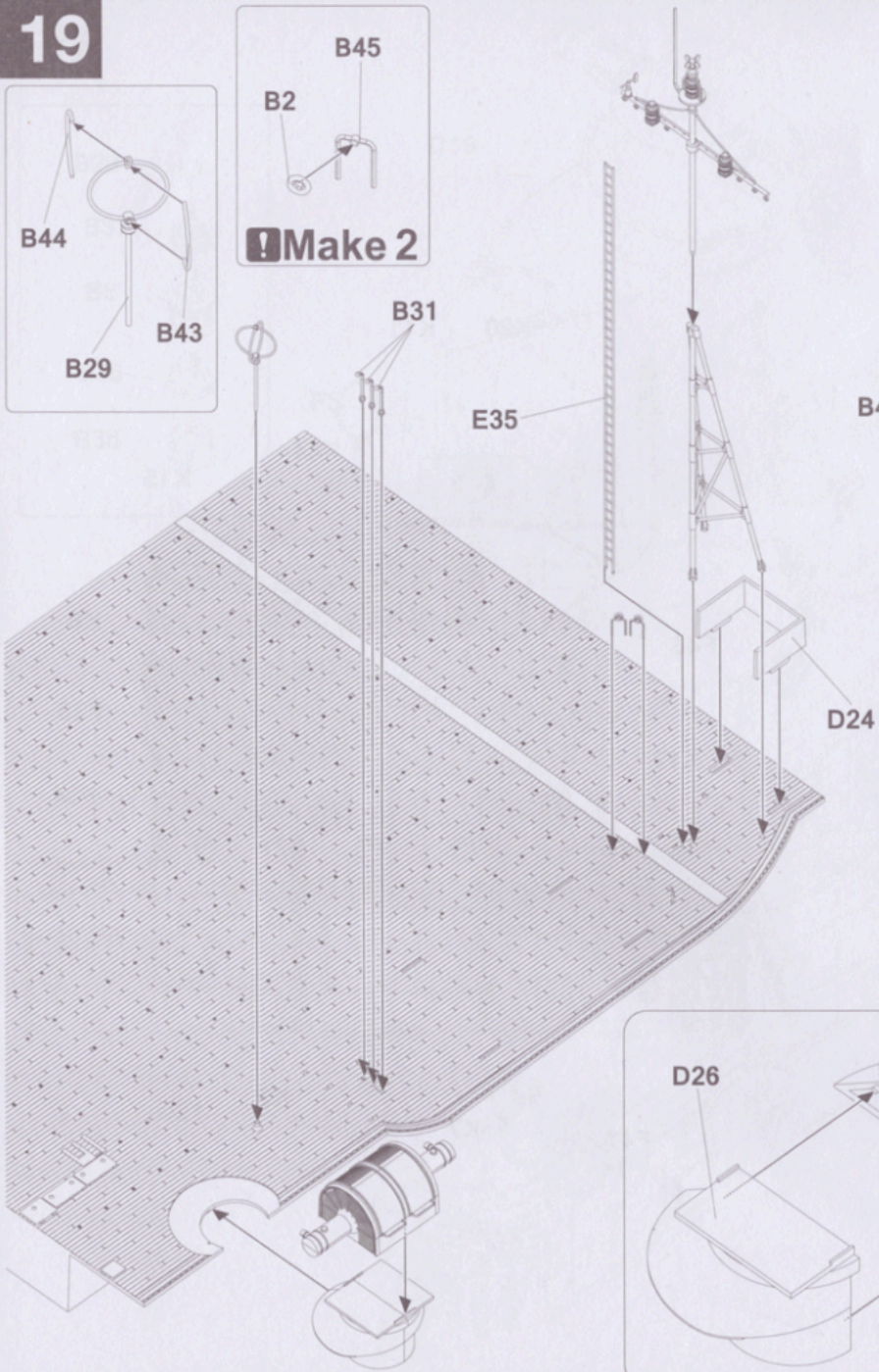
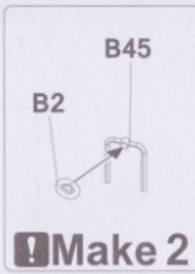
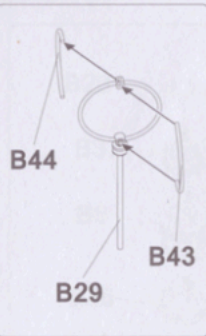
B38

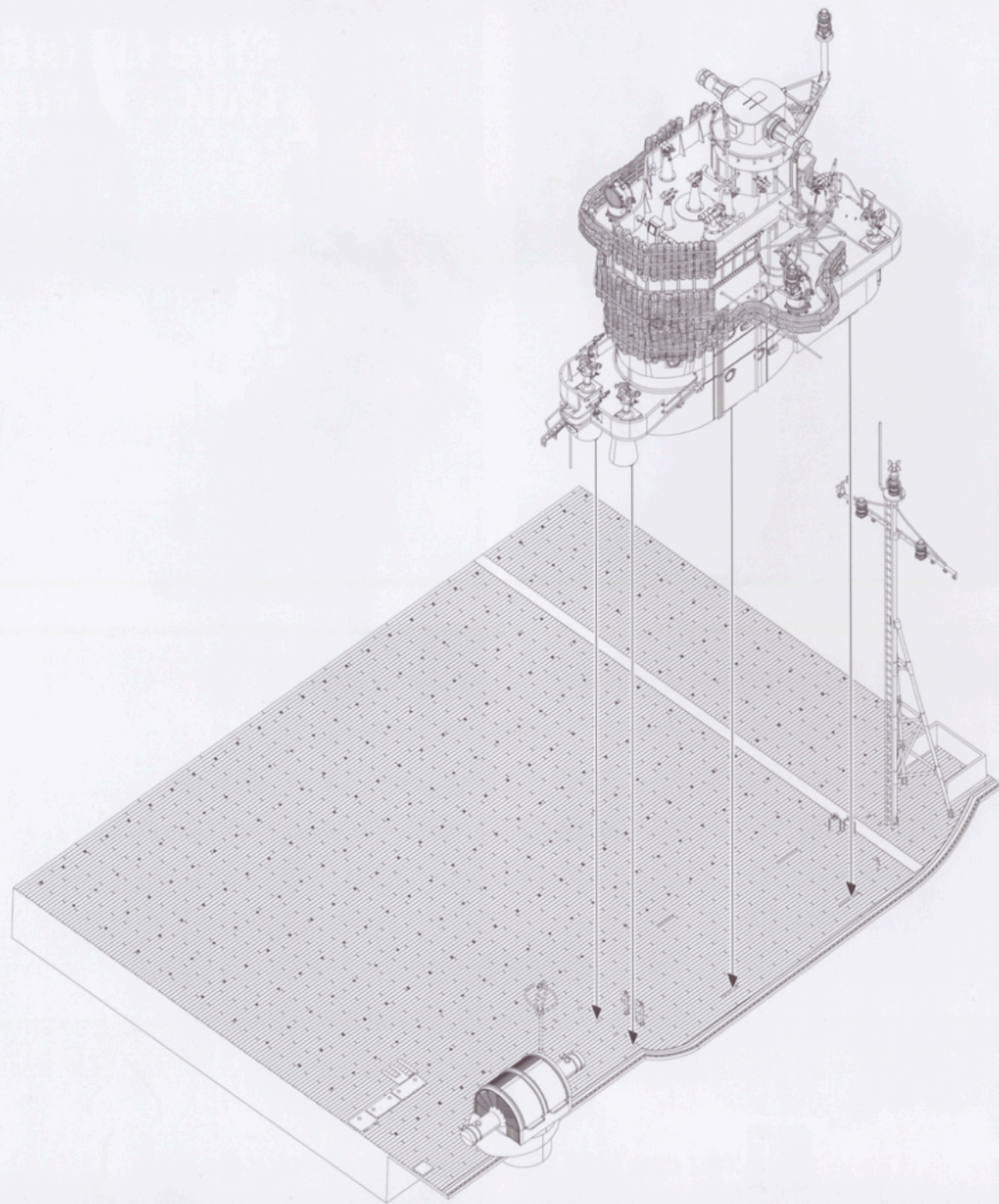
F40













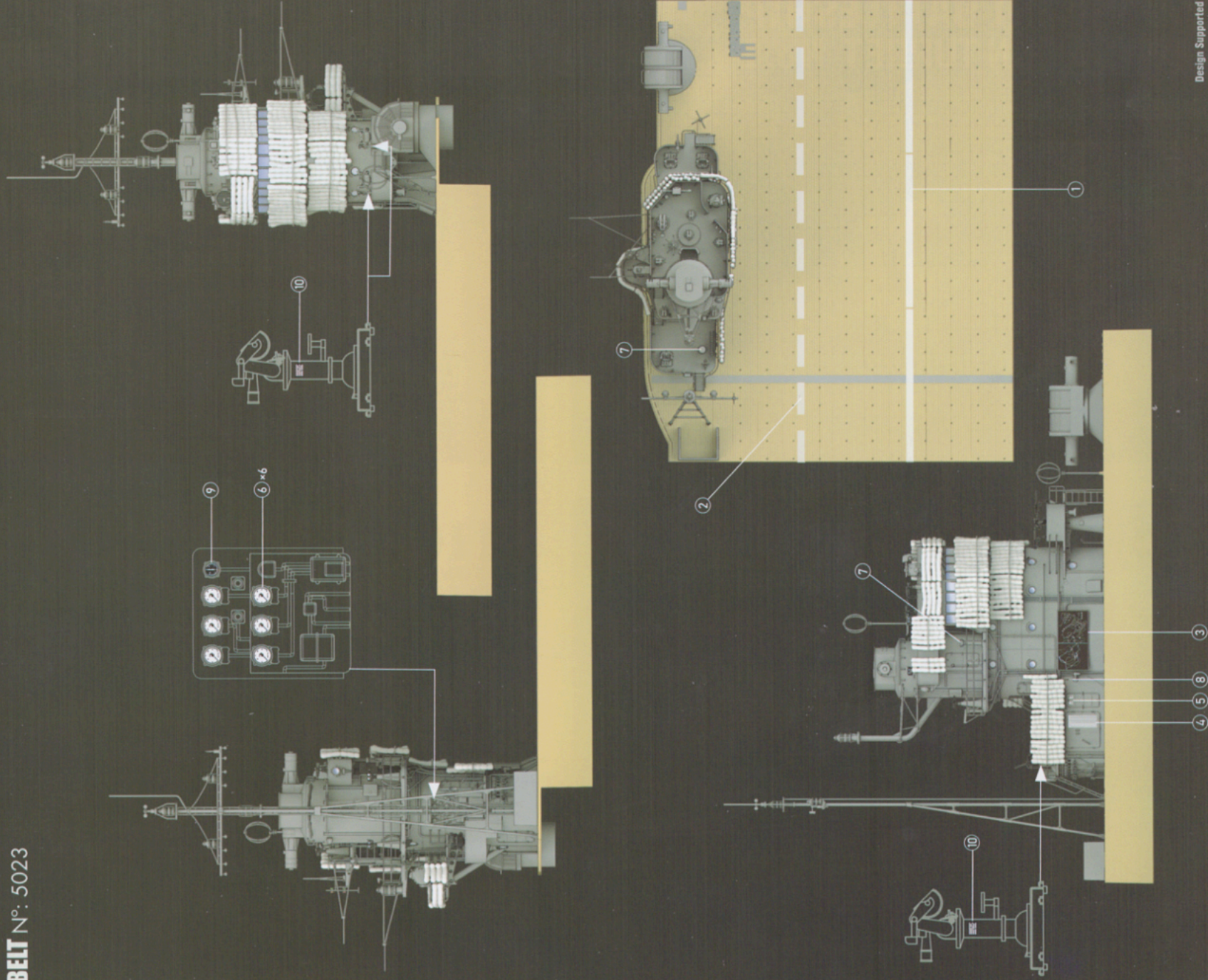
# IJN AIRCRAFT CARRIER AKAGI

## ISLAND & FLIGHT DECK

Pearl Harbor Attack 1941

Painting and Marking Guide

**BELT** N°: 5023



# USS MISSOURI BATTLESHIP MK.7 16"/50 GUN TURRET No.1



# HMS HOOD Mk 1 15"/42 Gun Turret B

A DETAILED STATIC DISPLAY PLASTIC MODEL  
A. 2 TYPES OF MARKINGS  
A. BASE INCLUDED



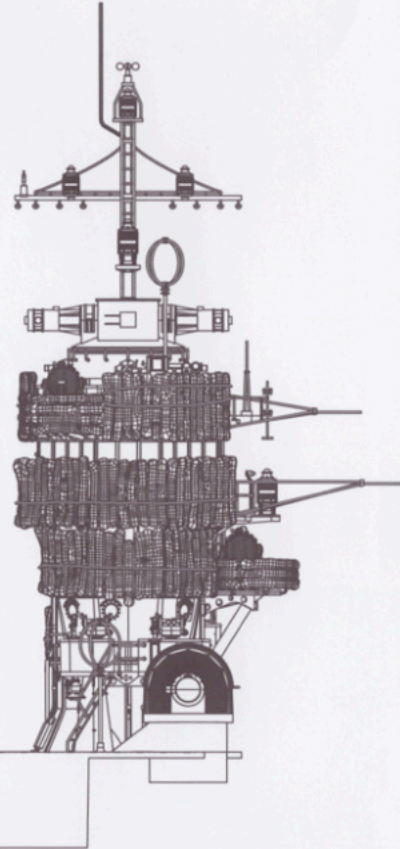
# 28CM SK C/34 GUNS BATTLESHIP SCHARNHORST TURRET B



# M1070 & M1000 70 TON TANK TRANSPORTER

A DETAILED STATIC DISPLAY PLASTIC MODEL  
A. PE & CLEAR PARTS INCLUDED  
A. 3 TYPES OF MARKINGS

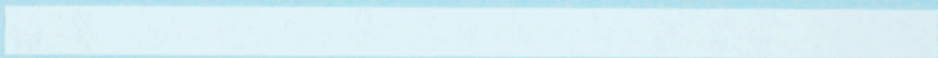
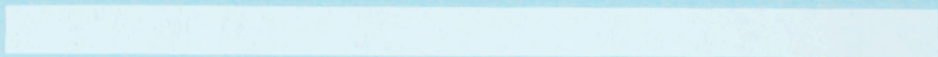
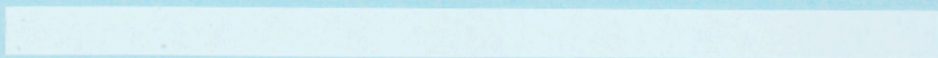




 You can find TAKOM on Facebook.com

กรมการช่างเทคนิค  
MANAGEMENT DECH PUBLISHED JULY 1947  
TAKOM

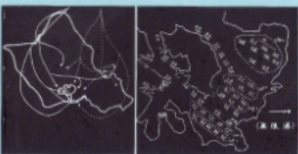
①



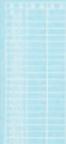
②



③



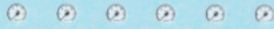
④



⑤

カヒ

⑥



⑦



⑧



⑨



⑩



1



2



3



4



7



5



7



6



8



9



TP  
TAKOMI  
03-05-5323

PE-sheet Scale 200%