



Modern American  
Conventional truck.  
(day cab, set forward axle version)

Conversion kit. 1/24

Warning!

This model kit requires to use donor chassis. Please use any US chassis in scale 1/24 by Italeri, except Peterbilt 377/378 or Volvo VN.

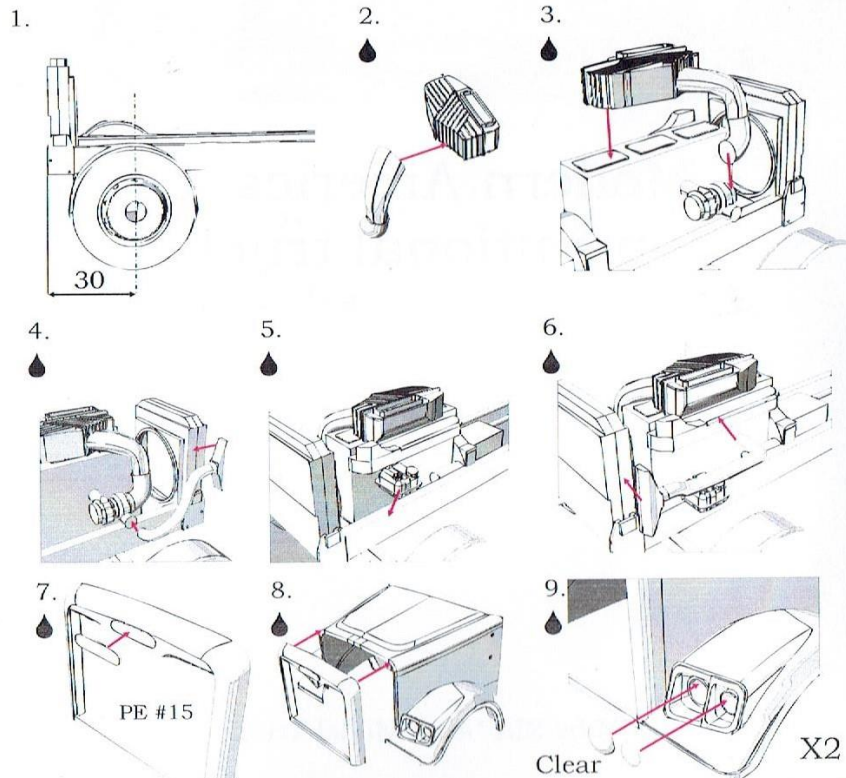
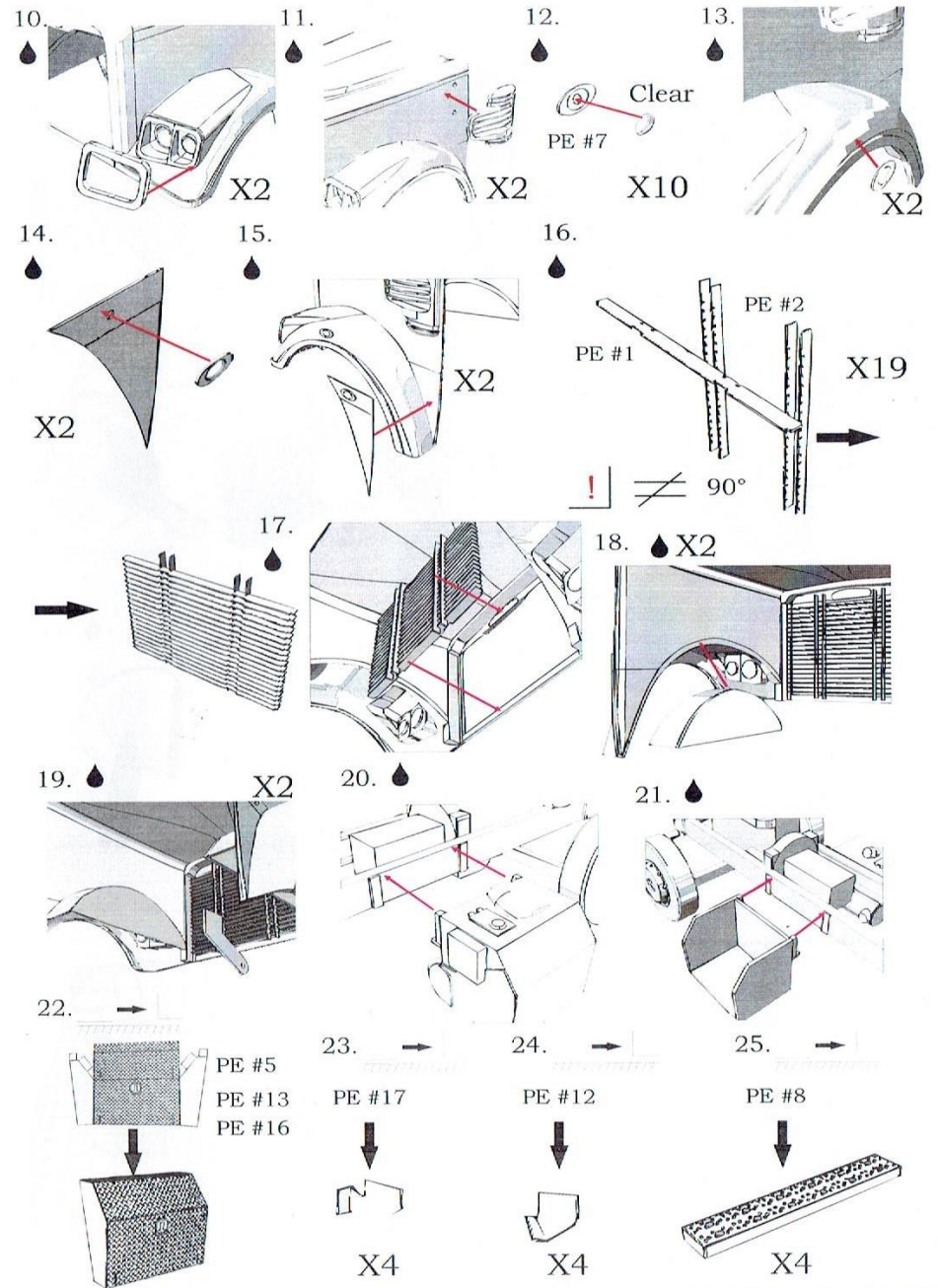
Please follow this instruction while assembling, otherwise you could face problems with assembling the model.

Photo-etched parts have sharp edges, please be careful.

This model kit contains small parts and is not suitable for children.

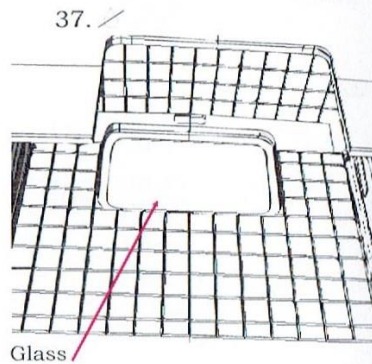
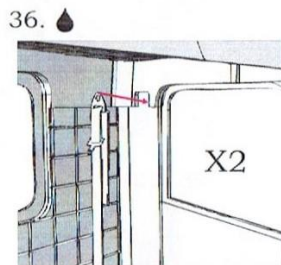
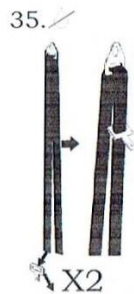
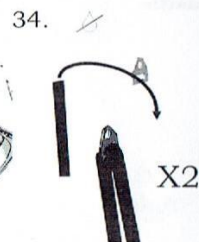
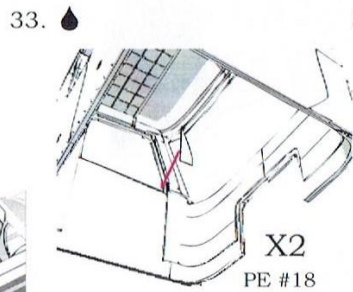
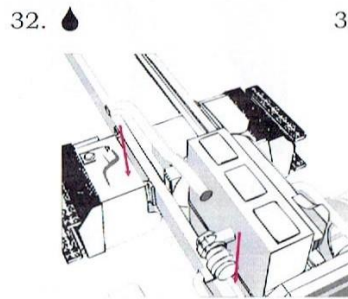
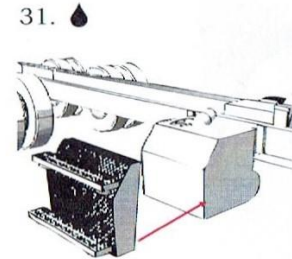
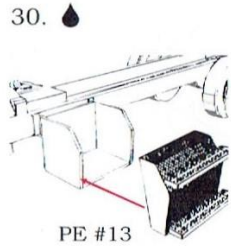
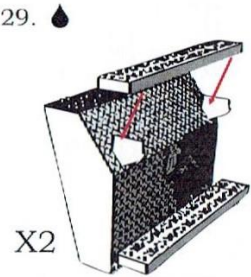
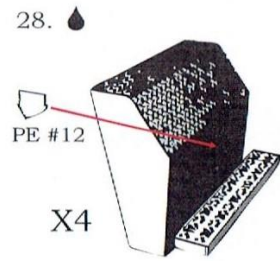
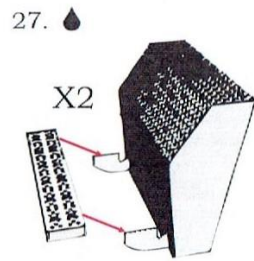
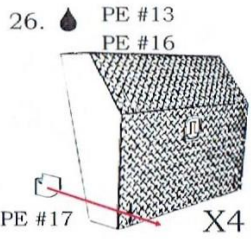
For building this model some modelling skills are required.

Dimensions in this instruction are in millimeters.

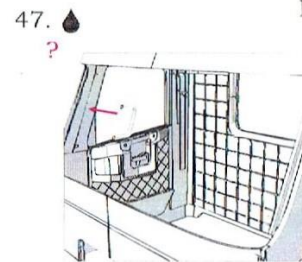
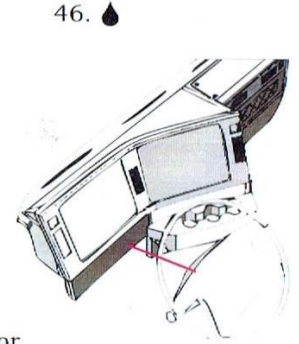
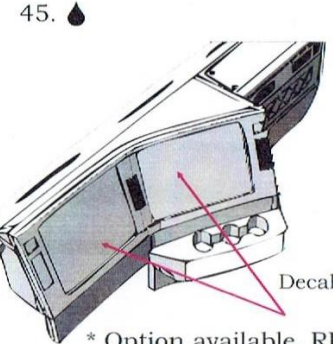
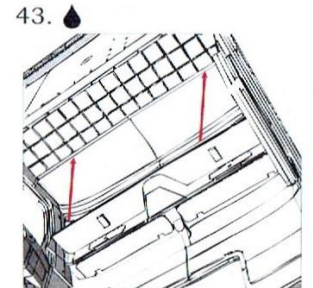
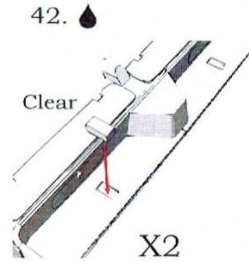
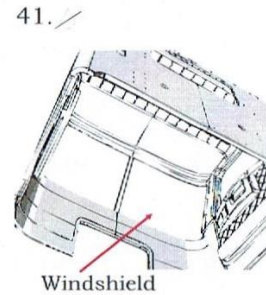
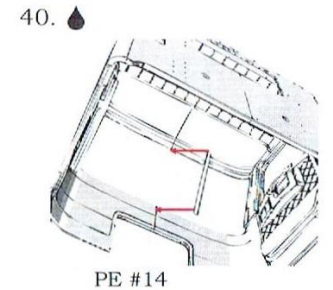
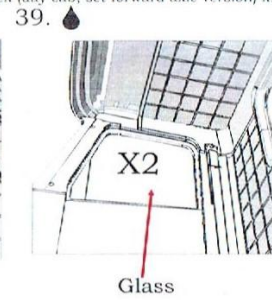
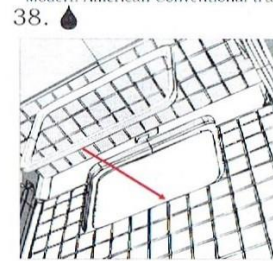




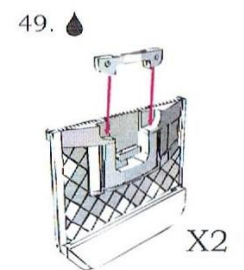
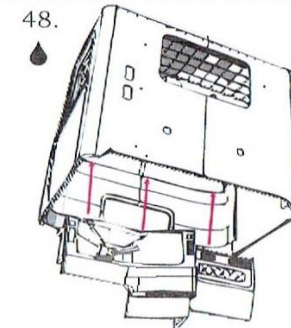
Modern American Conventional truck (day cab, set forward axle version) kit.



Modern American Conventional truck (day cab, set forward axle version) kit.

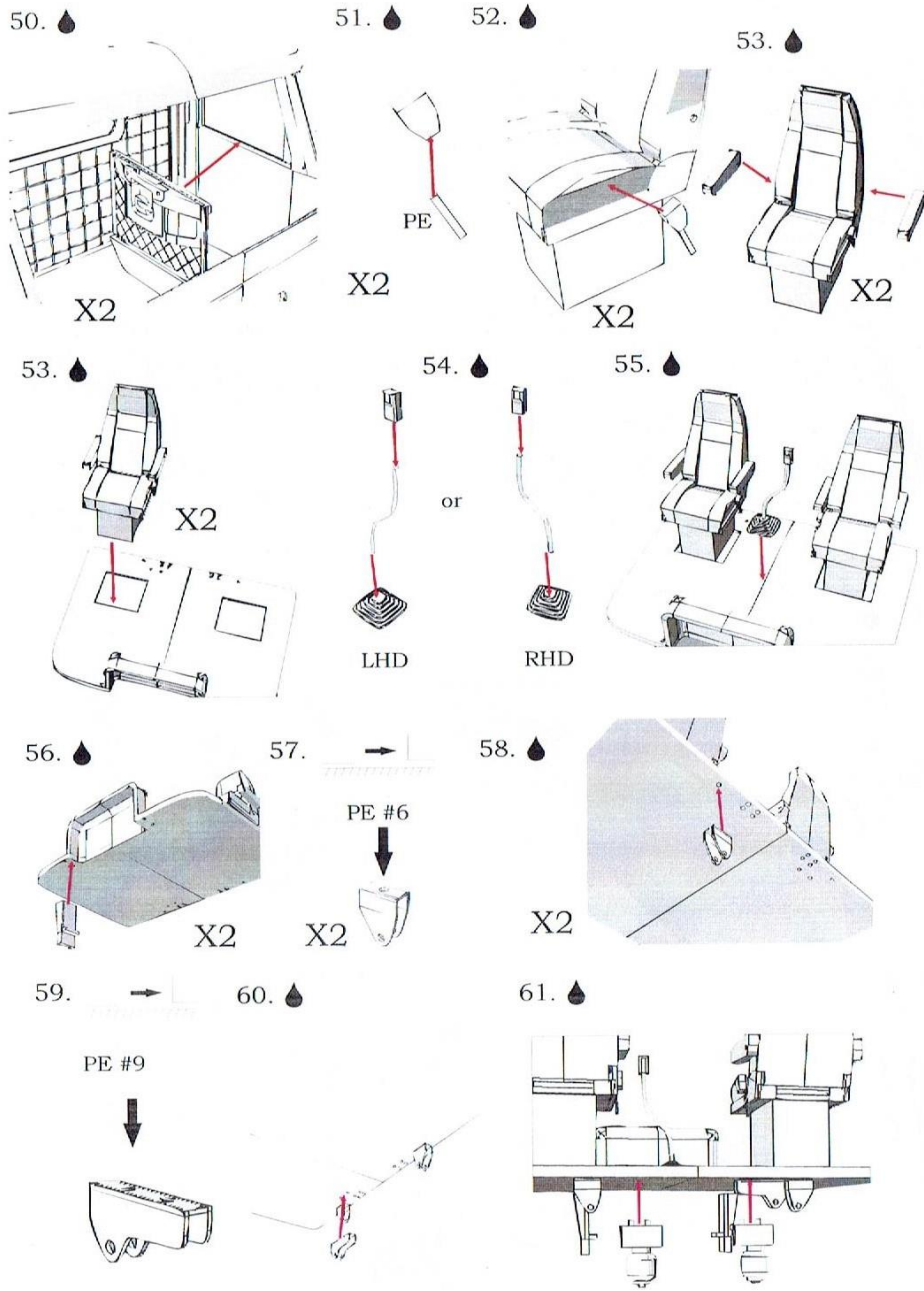


\* Option available. RHD or LHD dashboard and decals

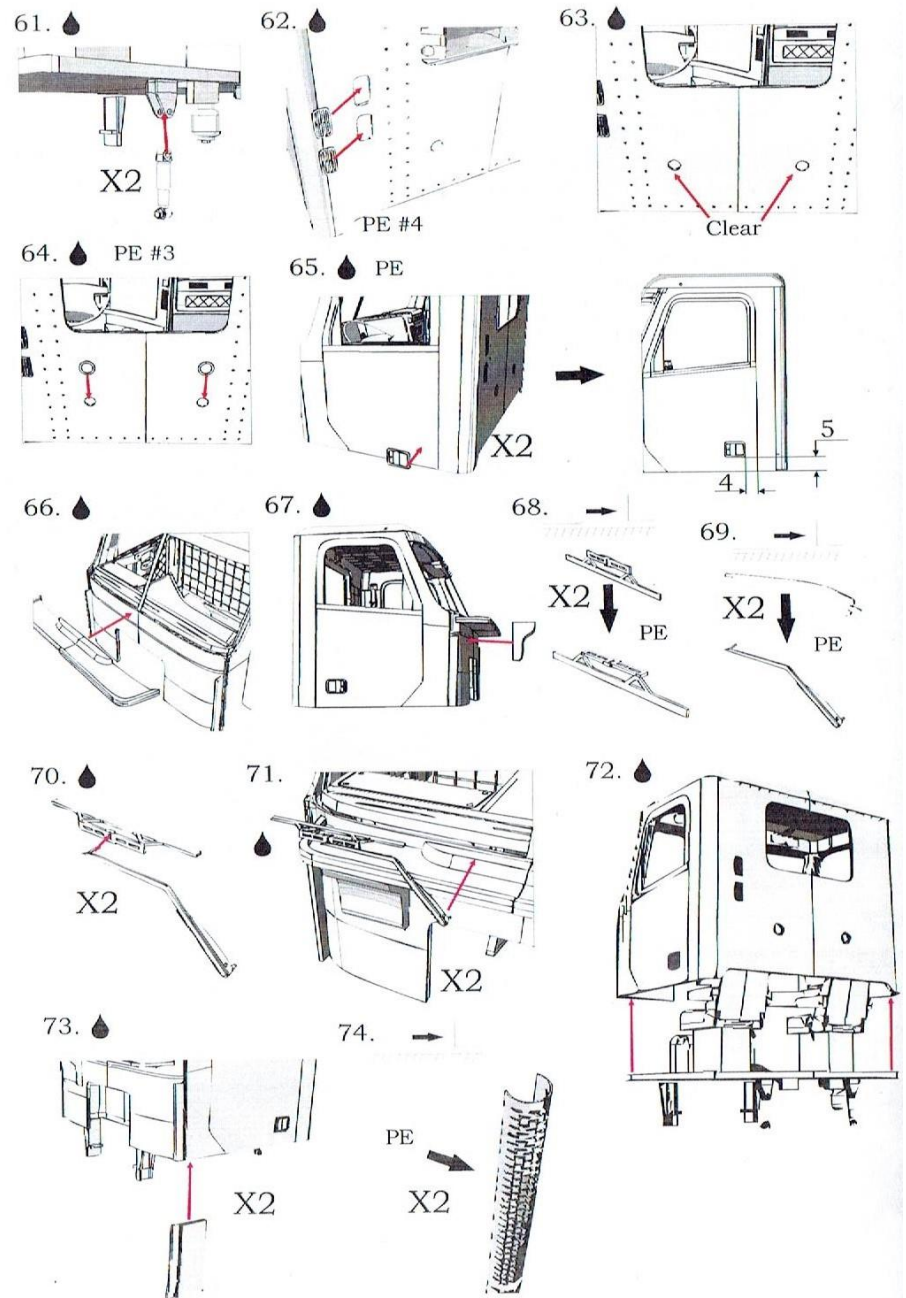


\* Right side for LHD/  
left side for RHD

Modern American Conventional truck (day cab, set forward axle version) kit.

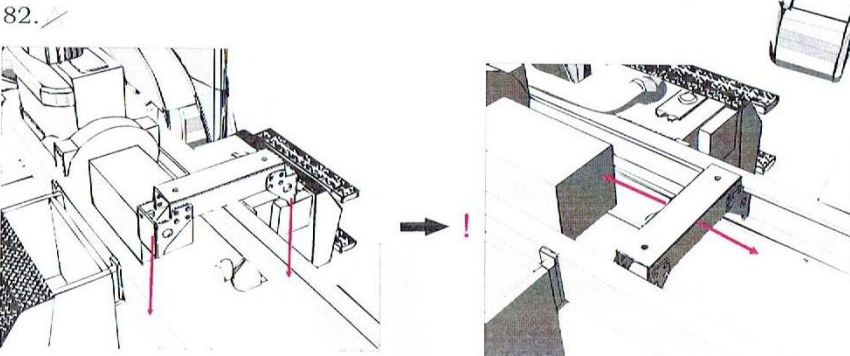
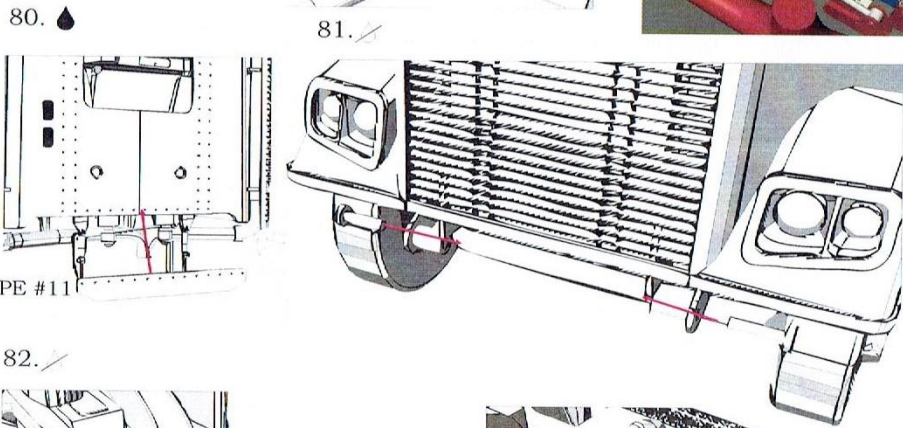
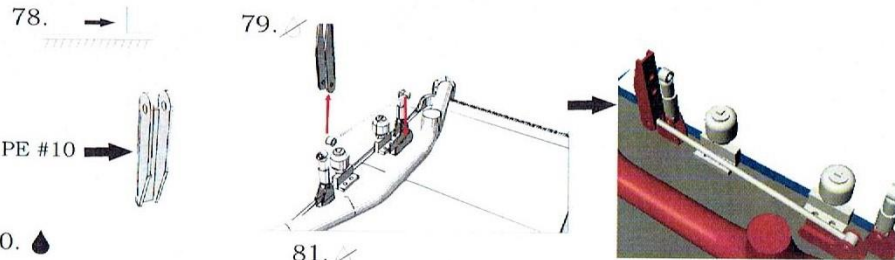
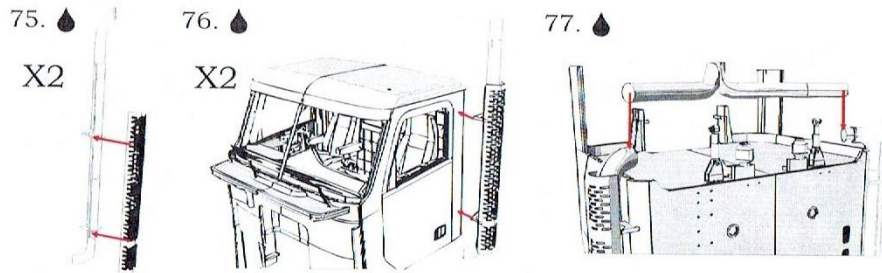


Modern American Conventional truck (day cab, set forward axle version) kit.

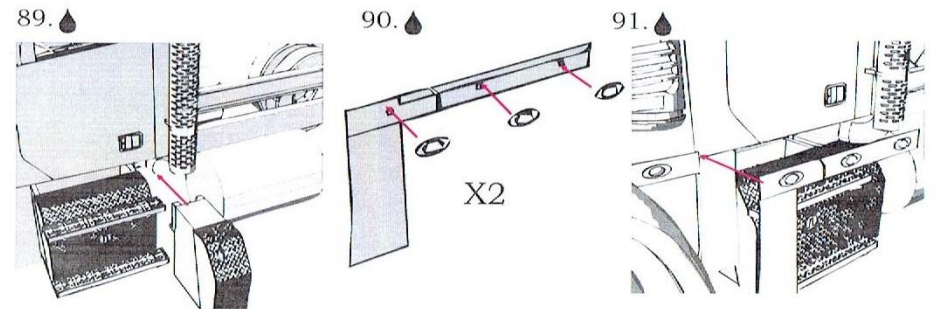
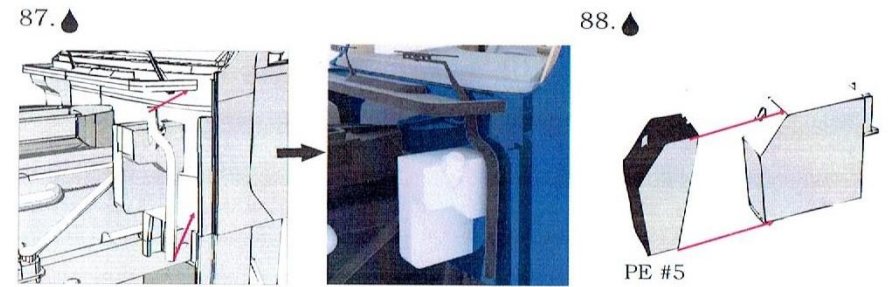
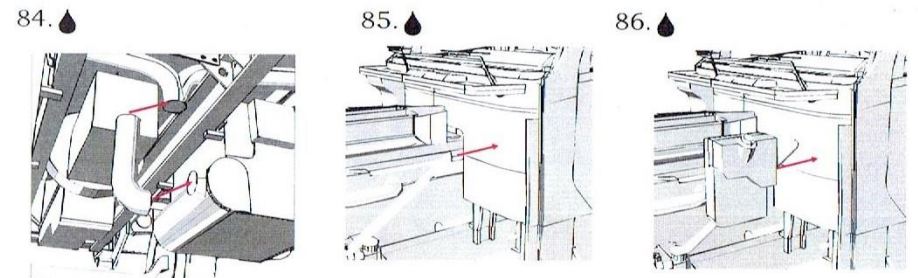
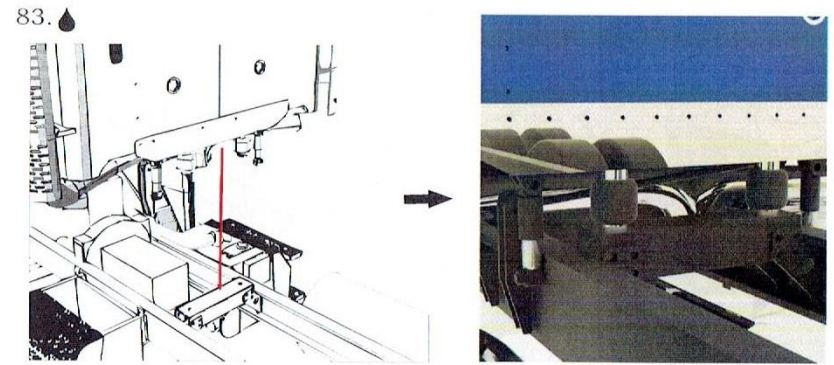




Modern American Conventional truck (day cab, set forward axle version) kit.

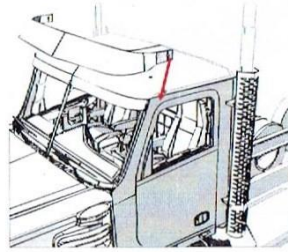


Modern American Conventional truck (day cab, set forward axle version) kit.

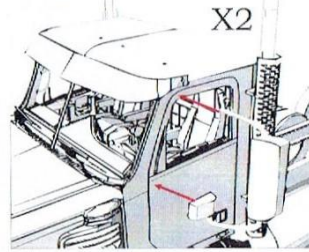


Modern American Conventional truck (day cab, set forward axle version) kit.

92. 



93. 



94. 

