

# Focke-Wulf Fw 190

Focke-Wulf Fw 190 A-0  
 Focke-Wulf Fw 190 A-1/Aces  
 Focke-Wulf Fw 190 A-1/2 JABO

**AZmodel**  
 PLASTIC KITS

scale: 1:72

Plastic model AZ 7265 AZ 7266 AZ 7267

The first prototype, the Fw 190 V1, had its first flight on 1 June 1939 bearing the civil registration D-ORZL while powered by a 1,530 PS (1,539 hp, 1,140 kW) BMW 132 14-cylinder inline engine. It soon followed experimental flights in the autumn of 1940. In November 1940, a total of 28 of the first production Fw 190 A-0s were built. The aircraft design was fully tested and improved; the first nine of the Fw 190 A-0 had small wings. All were armed with two fuselage-mounted 7.92 mm MG 17 machine guns, two wing-root mounted MG 17s and two outboard wing-mounted MG 17s.

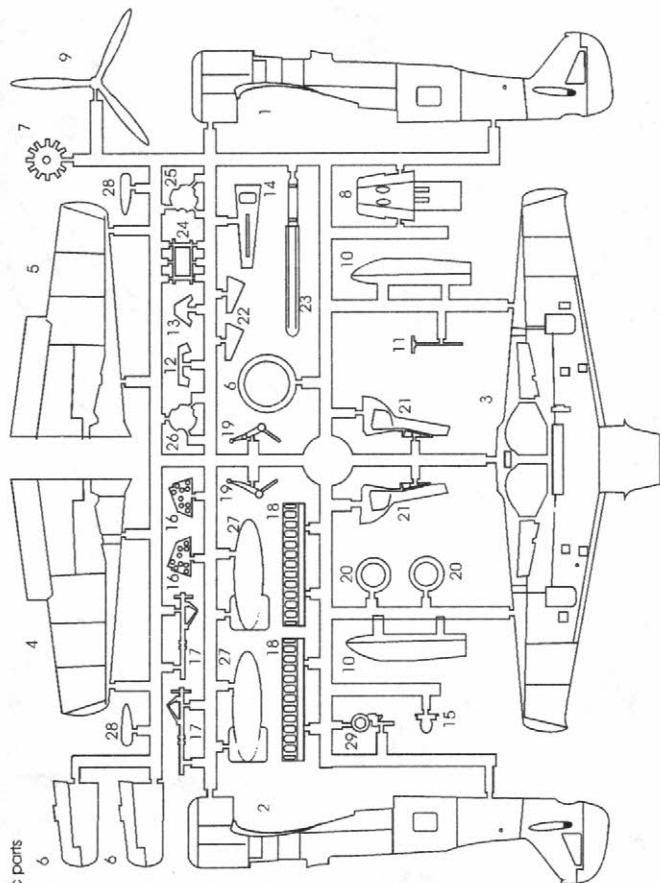
Fw 190 A-1

This version first rolled off the assembly lines in June 1941. The first few models were shipped to the *Esprobungsstelle* (formerly from ILJG 26 *Schlageter*) for further testing. Following this testing the Fw 190 A-1s entered service with ILJG 26 stationed outside of Paris, France. The A-1 was equipped with the BMW 801 C-1 engine, rated at 1,560 PS (1,539 hp, 1,147 kW). Armament consisted of two fuselage-mounted 7.92 mm MG 17s, two wing-root mounted MG 17s and two outboard wing-mounted 20 mm MG FFMs.

Fw 190 A-2

The first of these appeared in October 1941 and were equipped with the improved BMW 801 C-2 which was still rated at 1,560 PS (1,539 hp, 1,147 kW).

Plastic parts



Decals



AZ 7265



AZ 7266



AZ 7267

Transparent parts



PUR parts



OPTIONAL  
VOLBA



BEND  
OHNOUT



OPEN  
HOLE  
VAVERTAT  
OTVOR



SYMMETRICAL  
ASSEMBLY  
SYMETRICKA  
MONTAZ

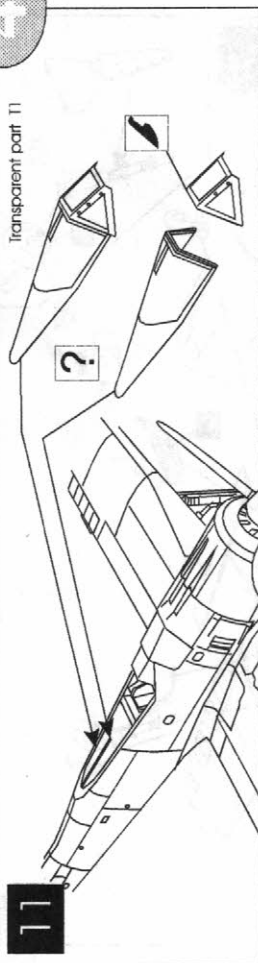


ANODH  
ZÁREZ

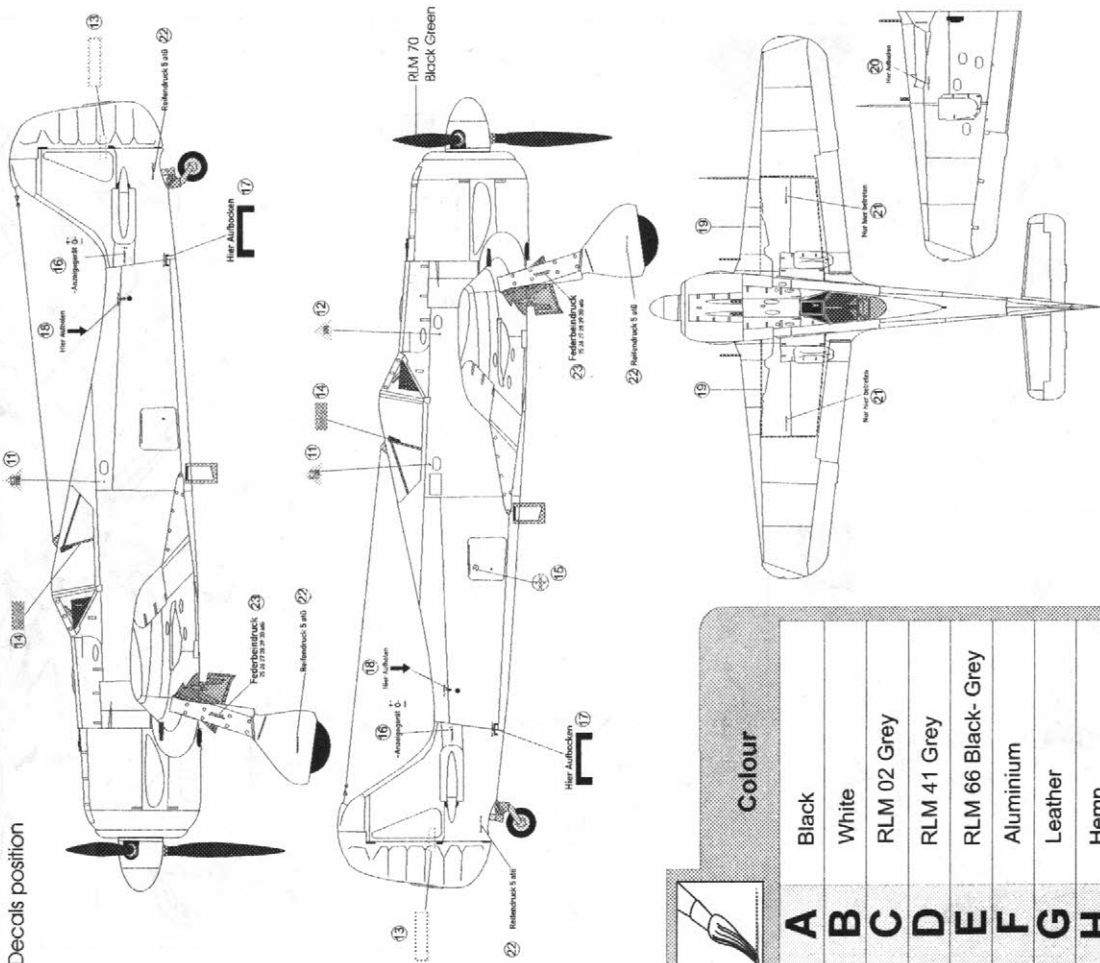


REMOVE  
ODRZNOUIT

transparent part T1

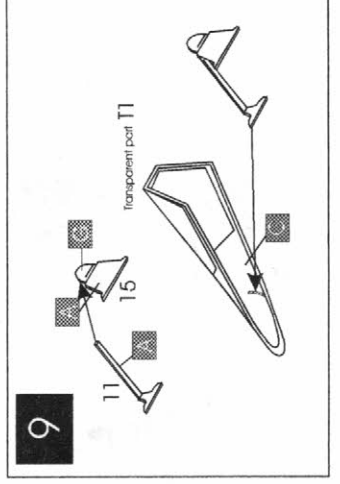
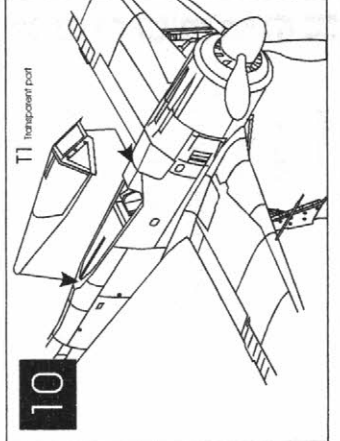
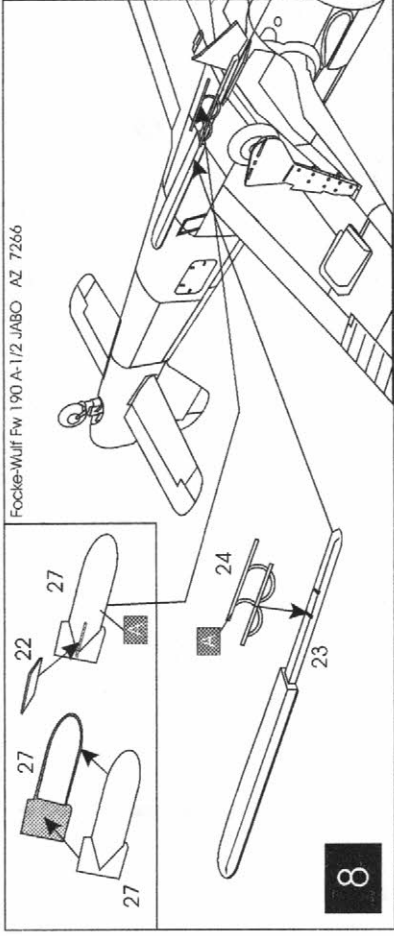
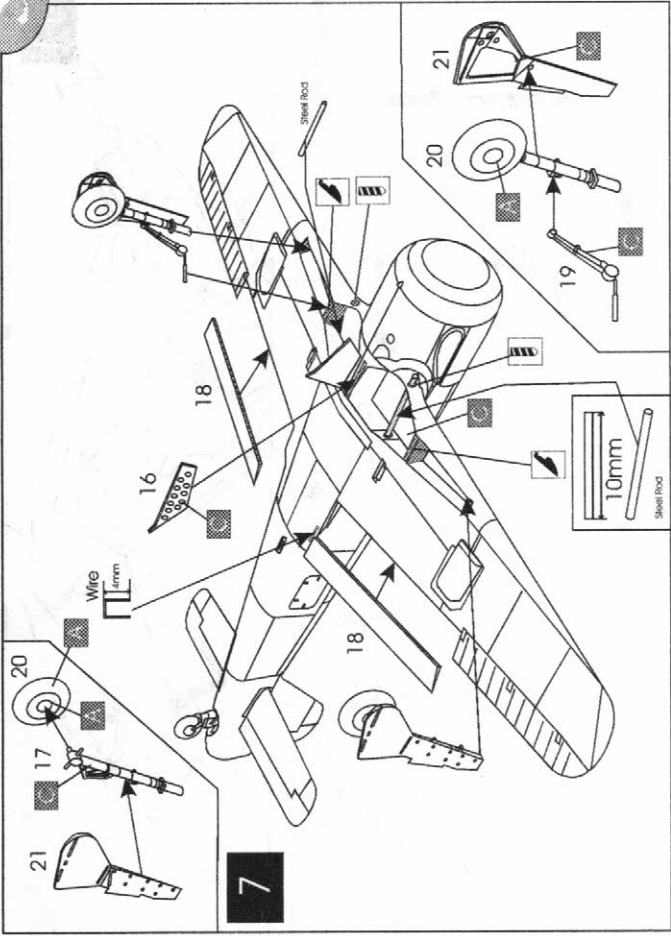


Decals position

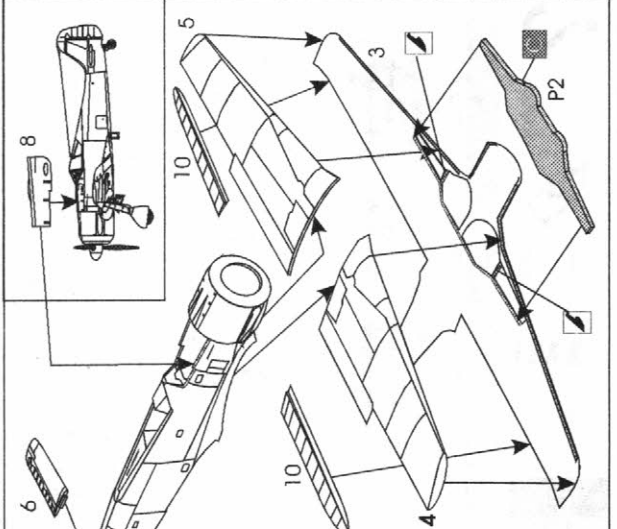
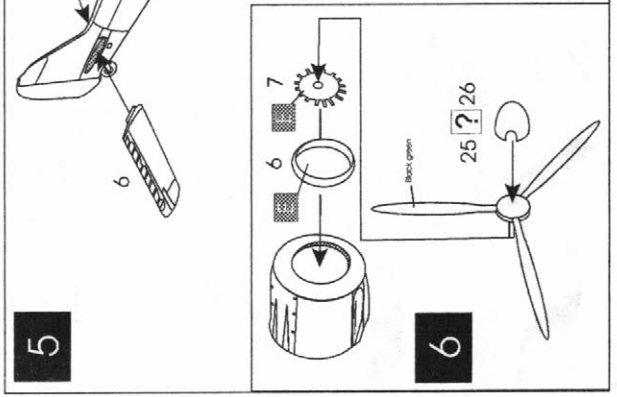
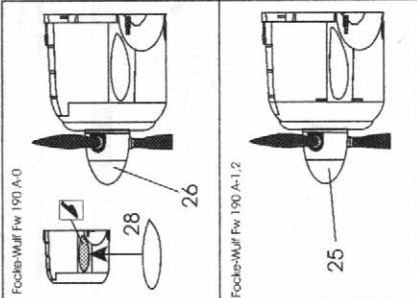
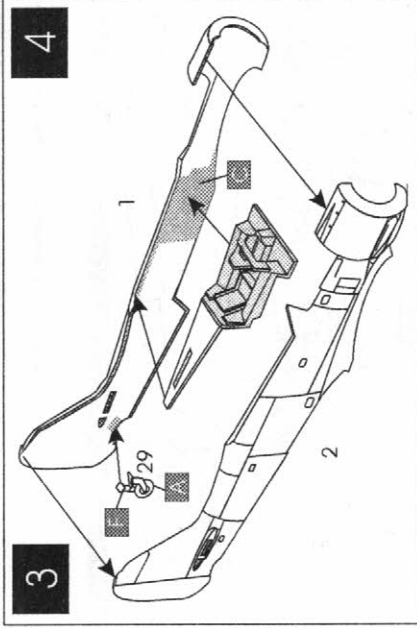
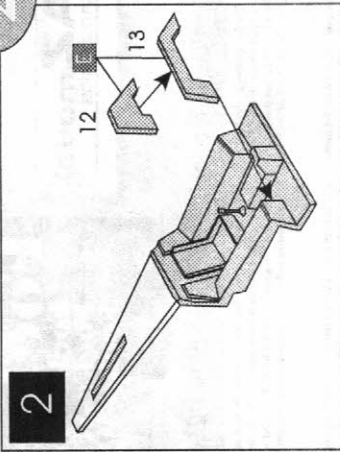
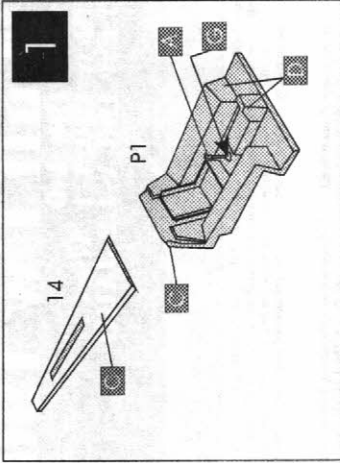


Colour

A	Black
B	White
C	RLM 02 Grey
D	RLM 41 Grey
E	RLM 66 Black-Grey
F	Aluminium
G	Leather
H	Hemp



Focke-Wulf Fw 190 A-1/2 JABO AZ 7266



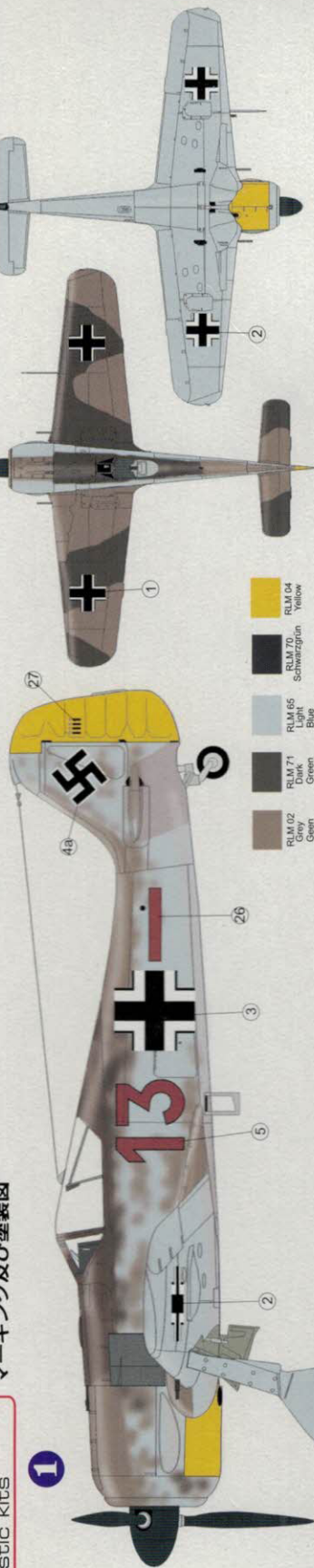


# Focke Wulf Fw190 A-1 "Aces"

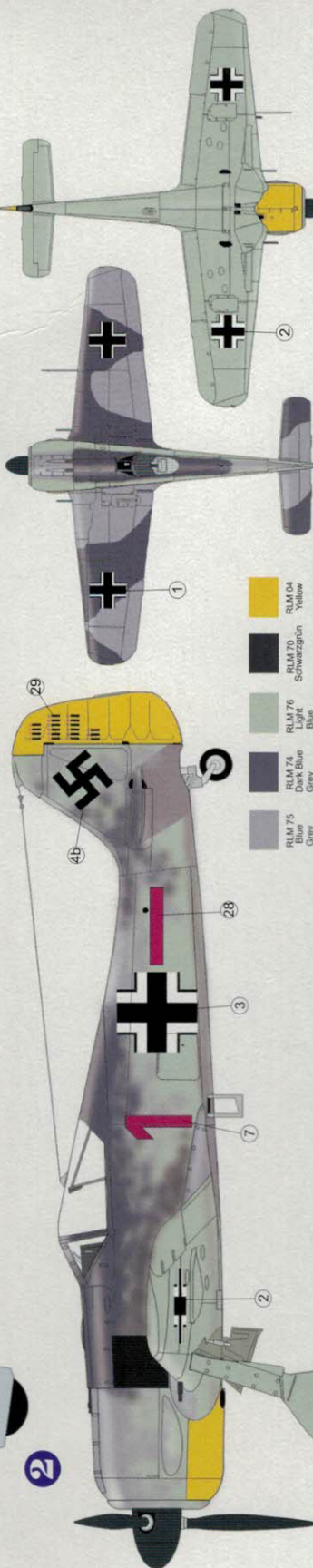
## Marking & Painting

マーキング及び塗装図

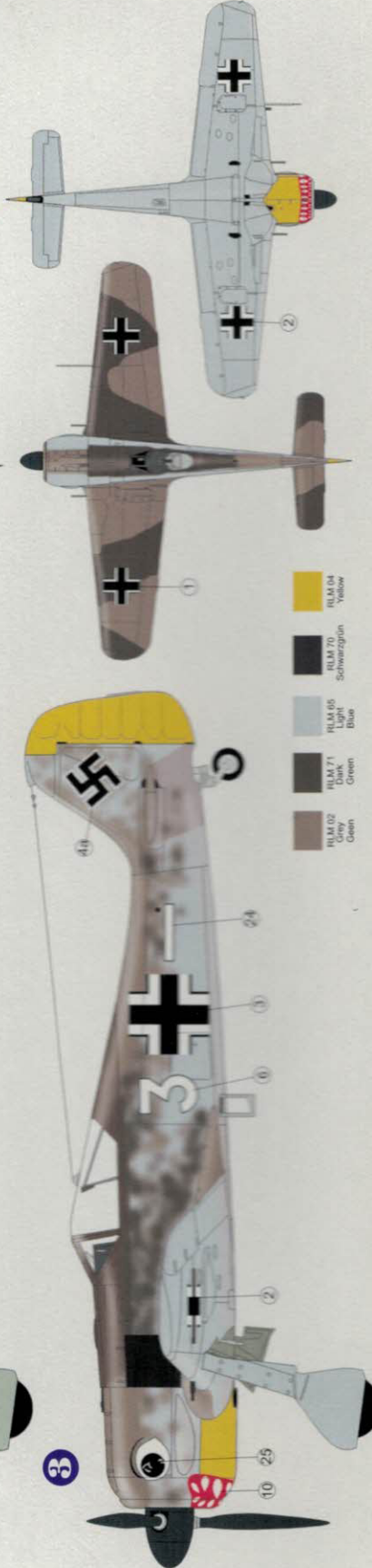
**AZmodel**  
Plastic kits



- RLM 02 Green
- RLM 04 Yellow
- RLM 65 Light Blue
- RLM 70 Schwarzgrün
- RLM 71 Dark Green



- RLM 75 Grey
- RLM 76 Light Blue
- RLM 74 Dark Blue
- RLM 70 Schwarzgrün
- RLM 04 Yellow



- RLM 02 Green
- RLM 04 Yellow
- RLM 65 Light Blue
- RLM 70 Schwarzgrün
- RLM 71 Dark Green