

# Focke-Wulf Fw 190

Focke-Wulf Fw 190 A-0  
Focke-Wulf Fw 190 A-1 / Aces  
Focke-Wulf Fw 190 A-1/2 JABO

**AZmodel**  
Plastic Kits

Plastic model

AZ 7265 AZ 7266 AZ 7267

scale 1:72

The first prototype, the Fw 190 V1, had its first flight on 1 June 1939 bearing the civil registration D-ORZL, while powered by a 1,530 PS (1,539 hp, 1,40 kW) BMW 131 14-cylinder inline engine. It soon bore exceptional performance for an aircraft of its weight, with excellent handling, high climb and speed (initially 400 mph (644 km/h) at 10,000 ft (3,048 m)). The Fw 190 A-0 was the first aircraft to be equipped with a fully retractable landing gear, and the first of the Fw 190 A-0 had small wings. All were armed with two fuselage-mounted 7.92 mm MG 17 machine guns, two wing-root mounted MG 17s, and two outboard wing-mounted MG 17s.

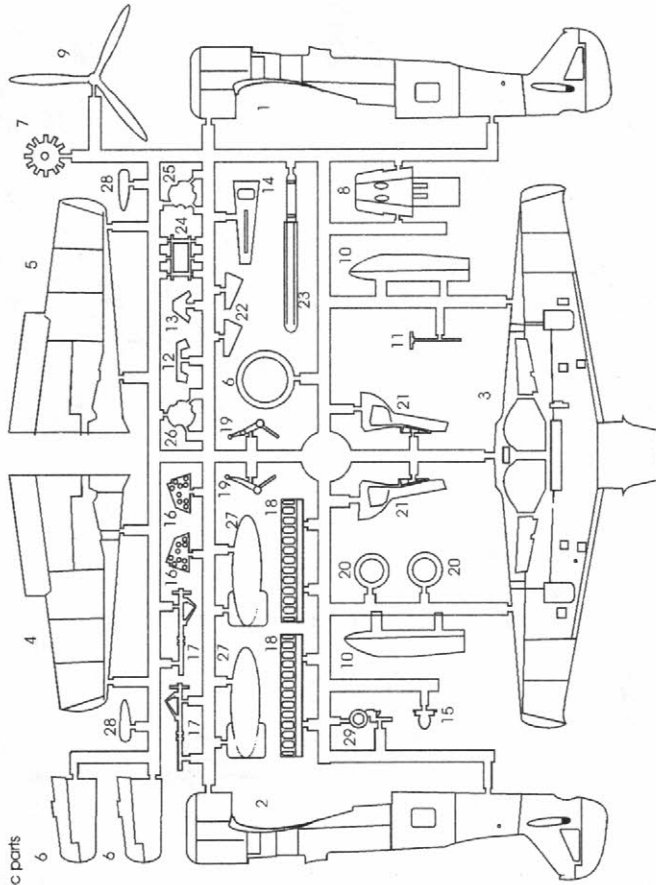
Fw 190 A-1

This version first rolled off the assembly lines in June 1941. The first few models were shipped to the *Eyprubogstafel* (formerly from IL/JG 26 *Schlageter*) for further testing. Following this testing the Fw 190 A-1s entered service with IL/JG 26 stationed outside of Paris, France. The A-1 was equipped with the BMW 801 C-1 engine, rated at 1,560 PS (1,539 hp, 1,147 kW). Armament consisted of two fuselage-mounted 7.92 mm MG 17s, two wing-root mounted MG 17s and two outboard wing-mounted 20 mm MG FFMs.

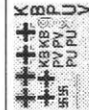
Fw 190 A-2

The first of these appeared in October 1941 and were equipped with the improved BMW 801 C-2 which was still rated at 1,560 PS (1,539 hp, 1,147 kW).

Plastic parts



Decals

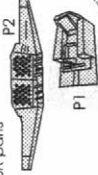


AZ 7265 AZ 7266 AZ 7267

Transparent parts



PLUR. PARTS



OPTIONAL  
VOLBA



BEND  
OHNOUT



OPEN HOLE  
VYVĚRAT OTVOR



SYMMETRICAL ASSEMBLY  
SYMETRICKA MONTÁŽ

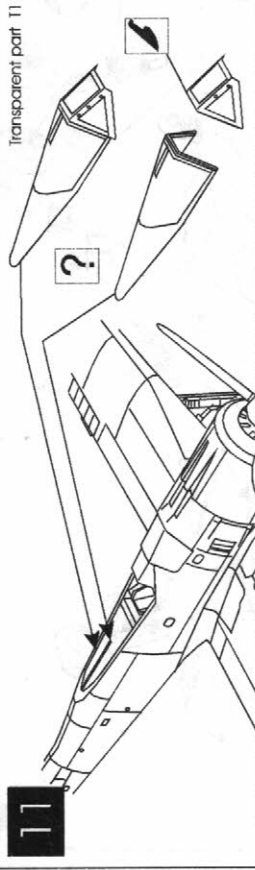


ANOTH  
ZÁREZ

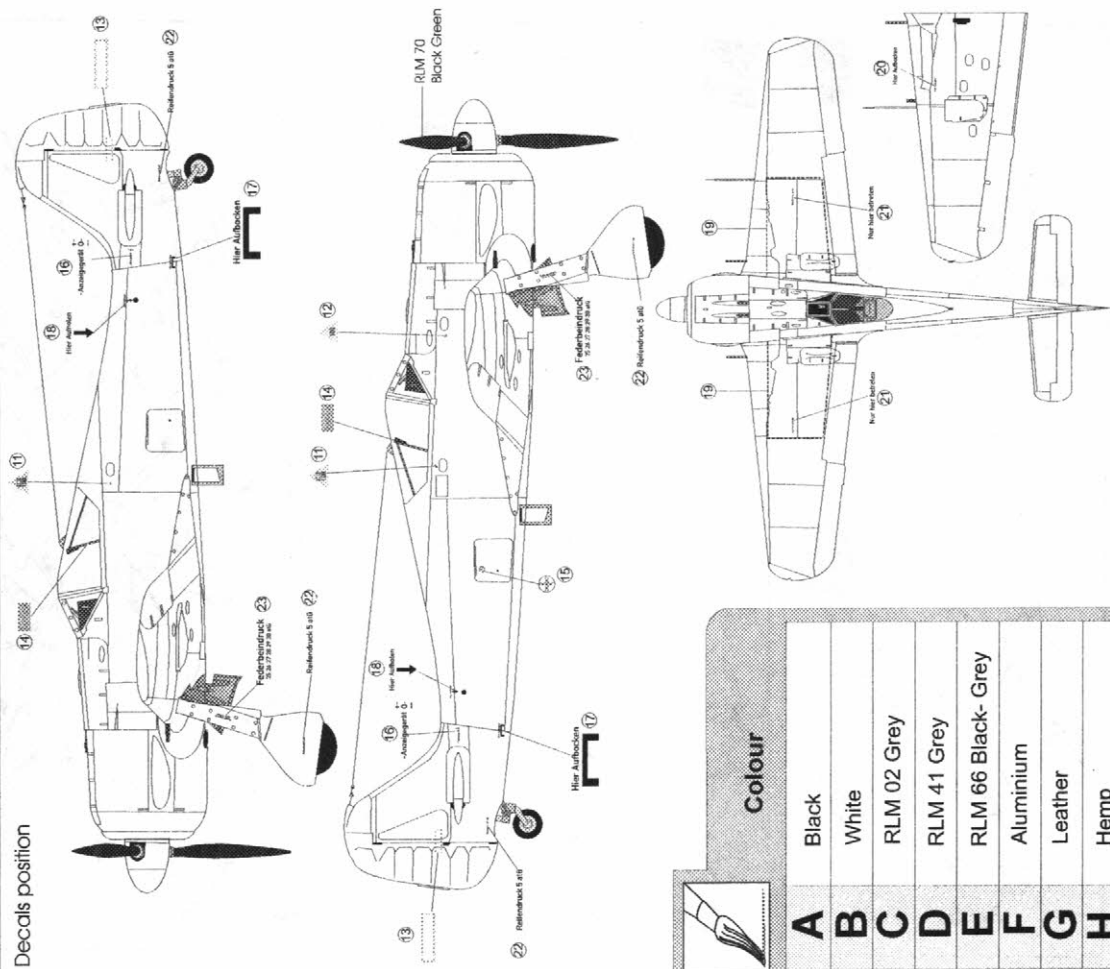


REMOVE  
ODSTRANOUT

4

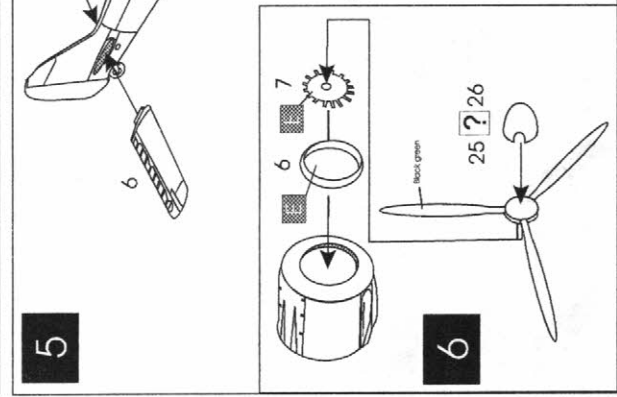
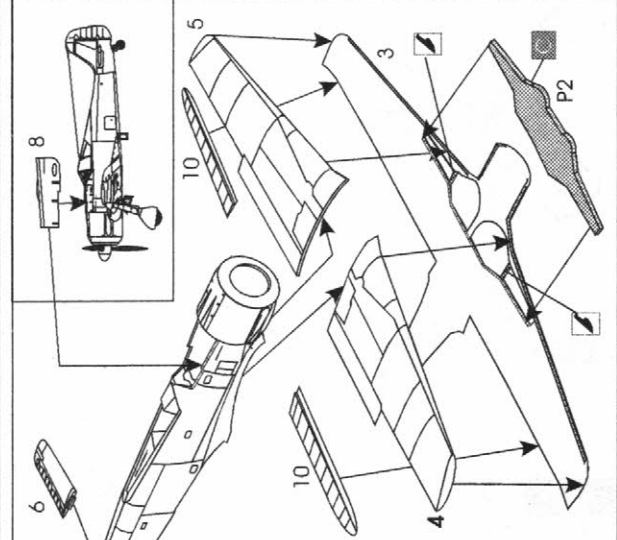
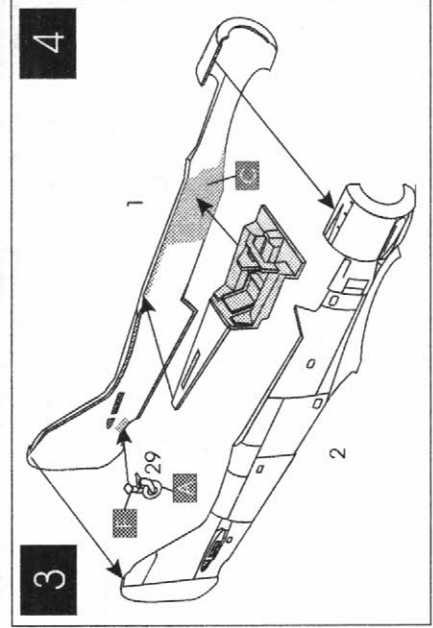
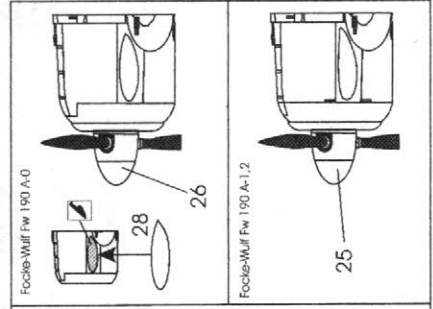
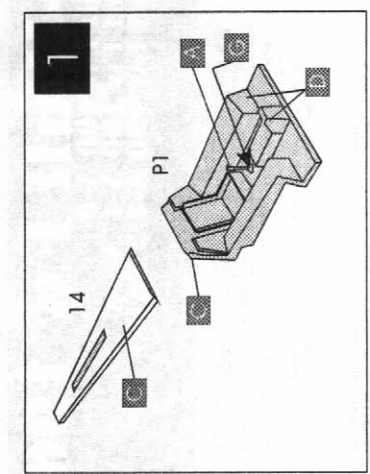
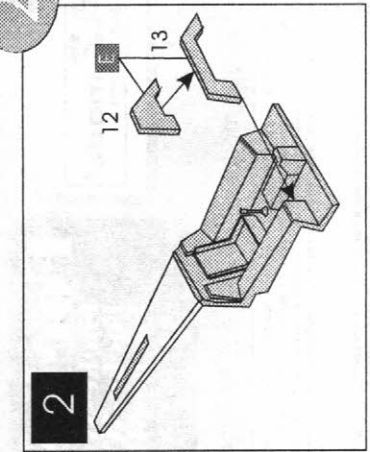
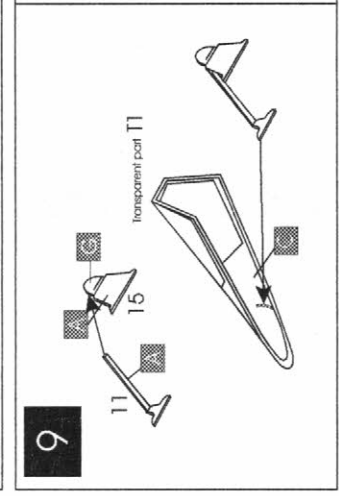
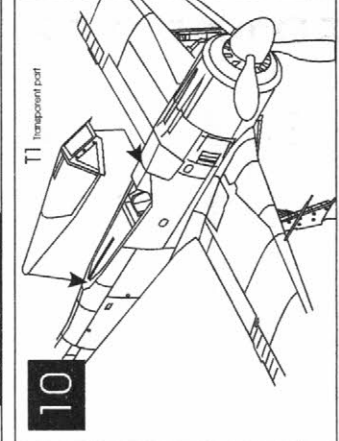
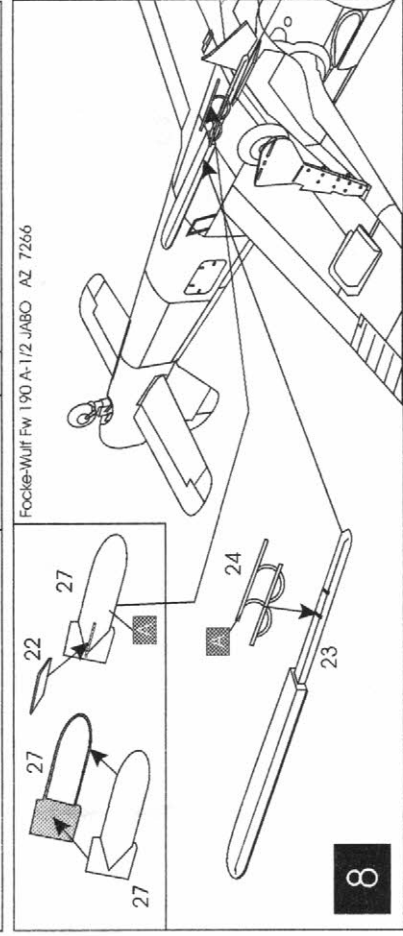
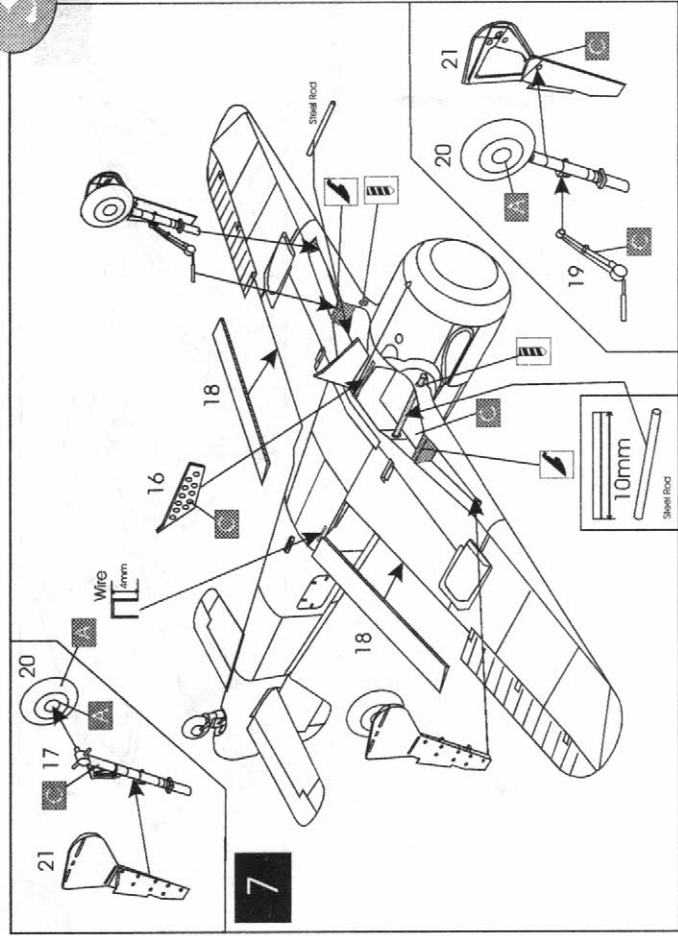


Decals position



Colour

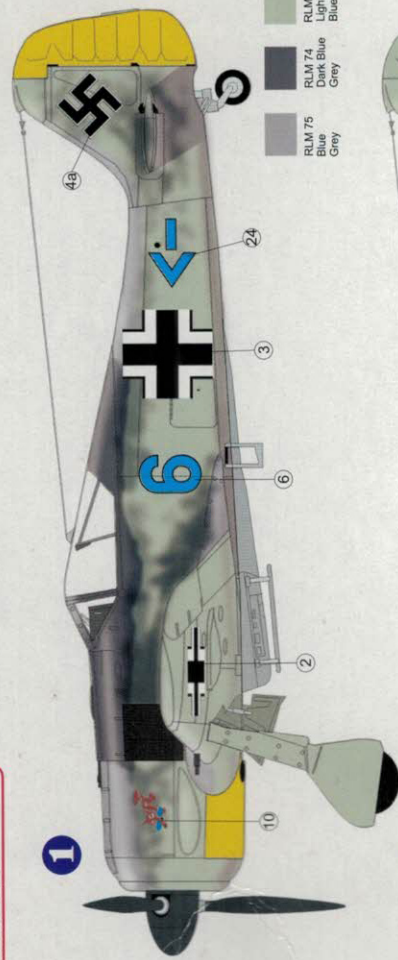
A	Black
B	White
C	RLM 02 Grey
D	RLM 41 Grey
E	RLM 66 Black-Grey
F	Aluminium
G	Leather
H	Hemp



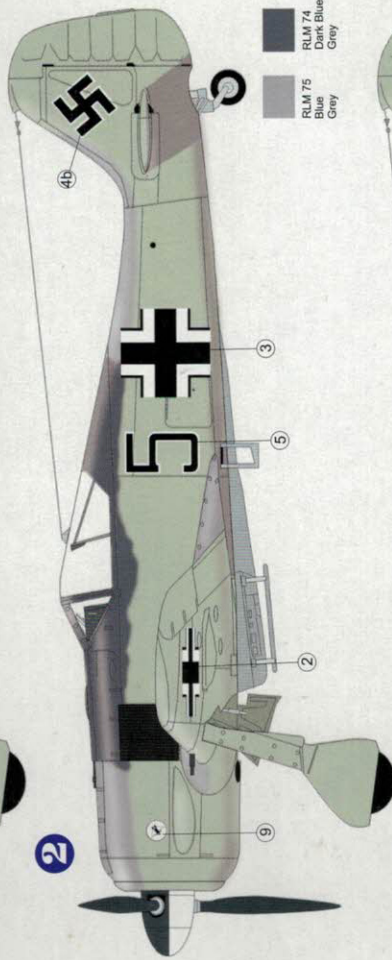
Marking & Painting  
マーキング及び塗装図

**AZmodel**  
Plastic kits

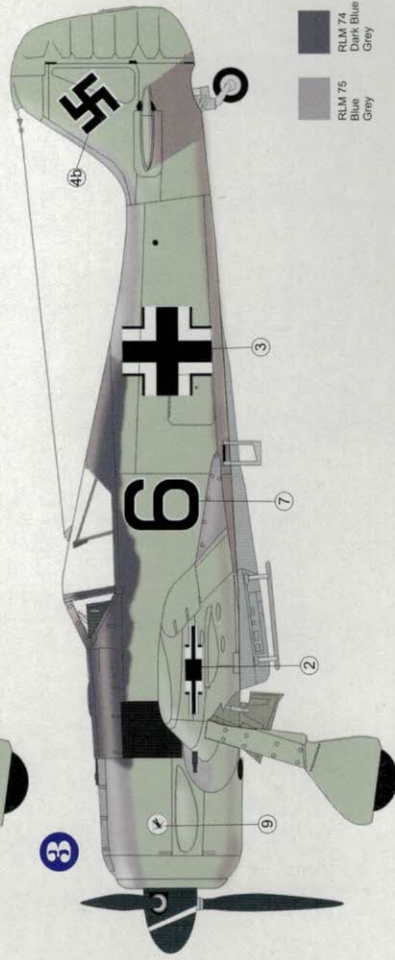
Focke Wulf Fw190 A-1/2 JABO



- RLM 75 Blue Grey
- RLM 74 Dark Blue Grey
- RLM 76 Light Blue
- RLM 70 Schwarzgrün
- RLM 04 Yellow



- RLM 75 Blue Grey
- RLM 74 Dark Blue Grey
- RLM 76 Light Blue
- RLM 70 Schwarzgrün



- RLM 75 Blue Grey
- RLM 74 Dark Blue Grey
- RLM 76 Light Blue
- RLM 70 Schwarzgrün

