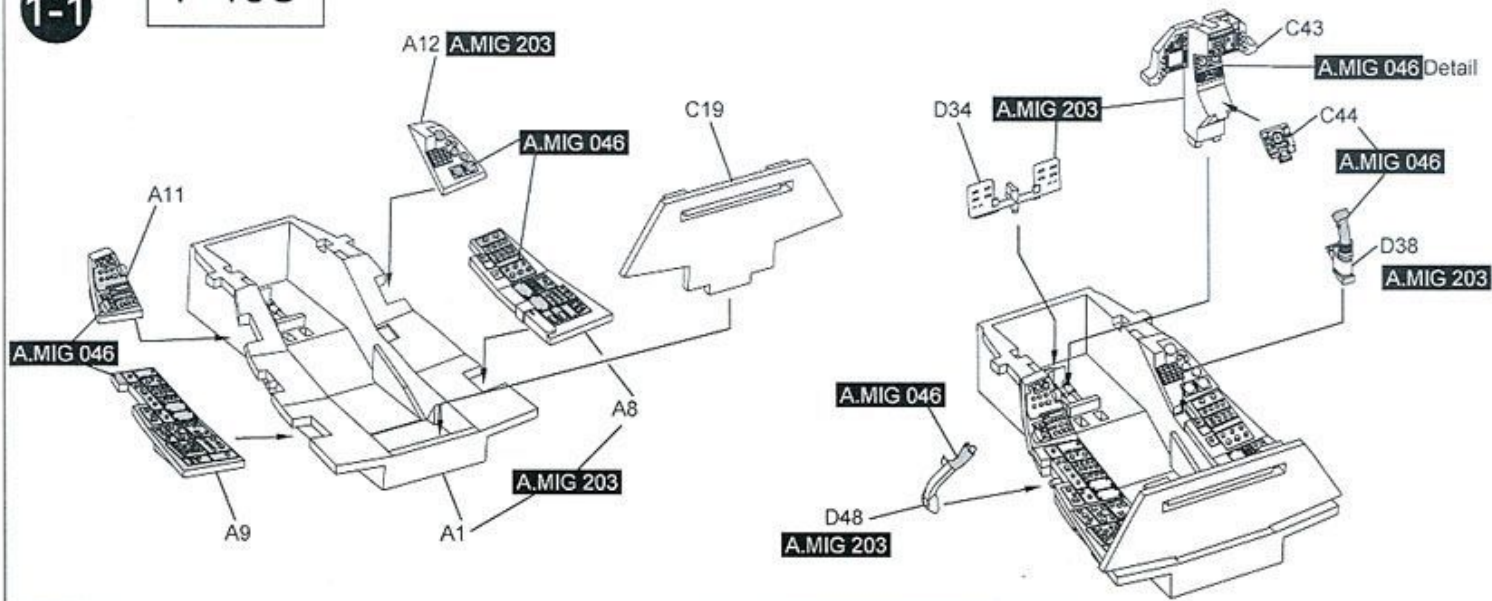


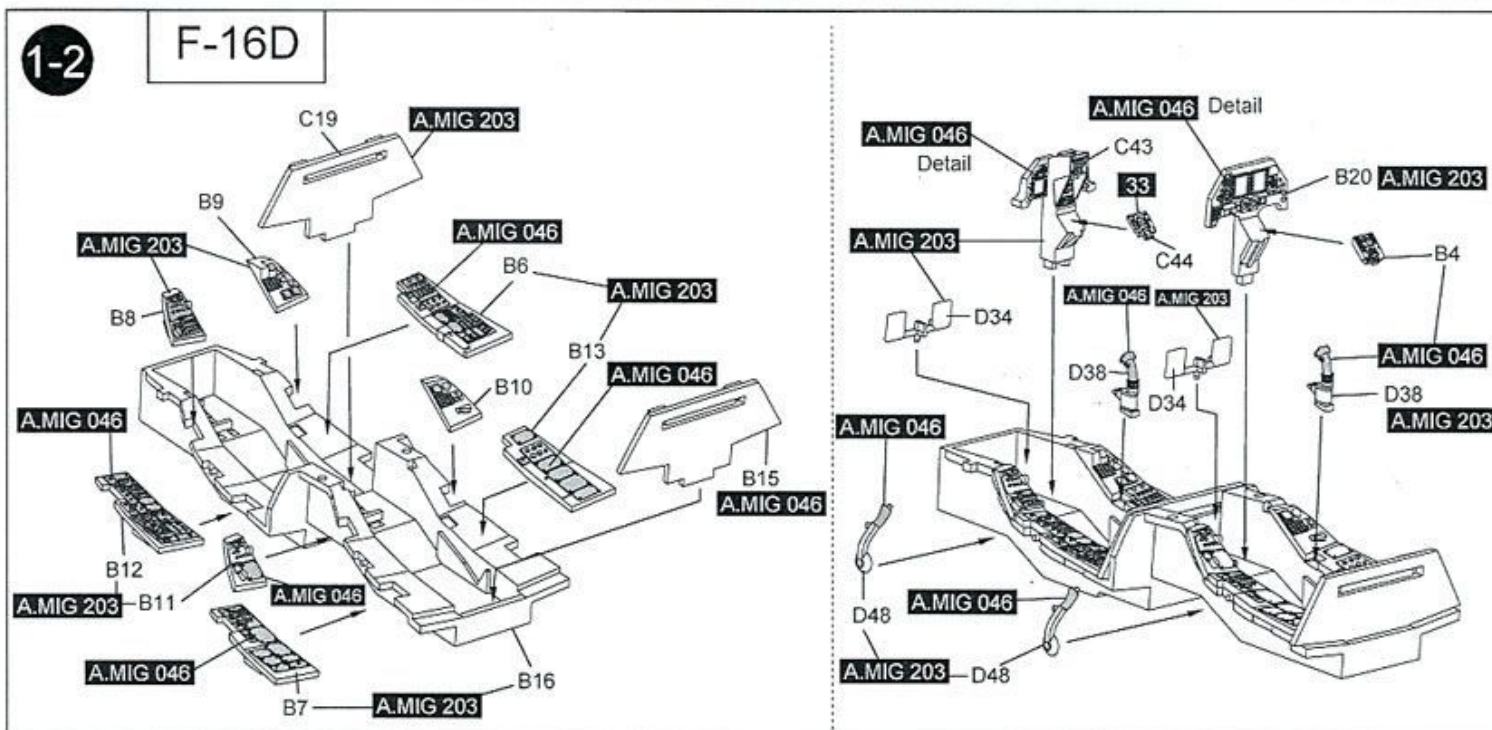
1-1

F-16C

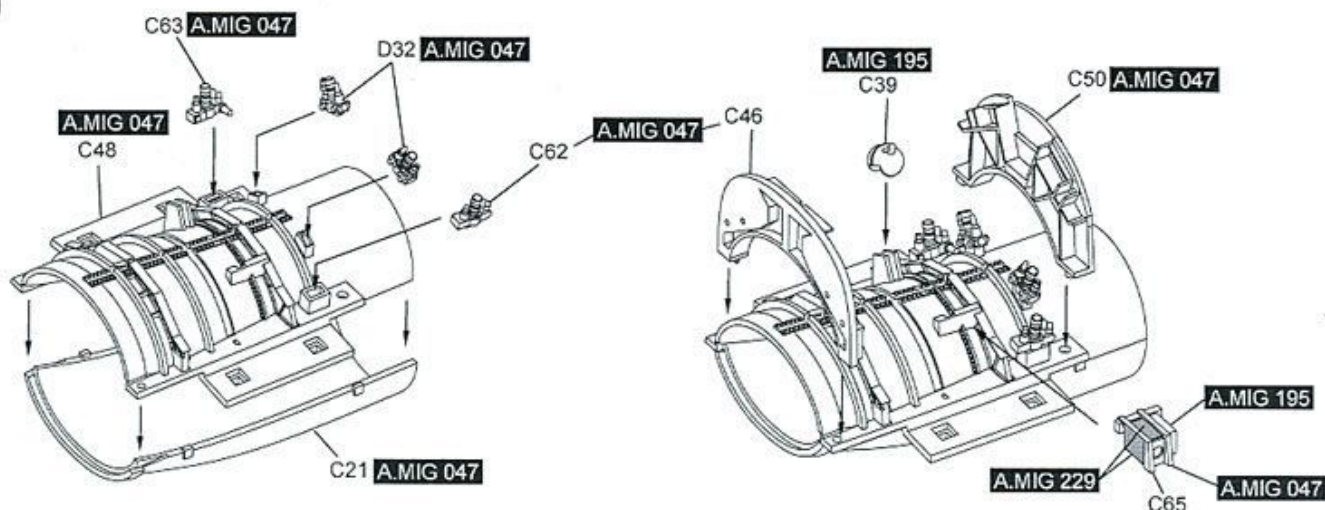


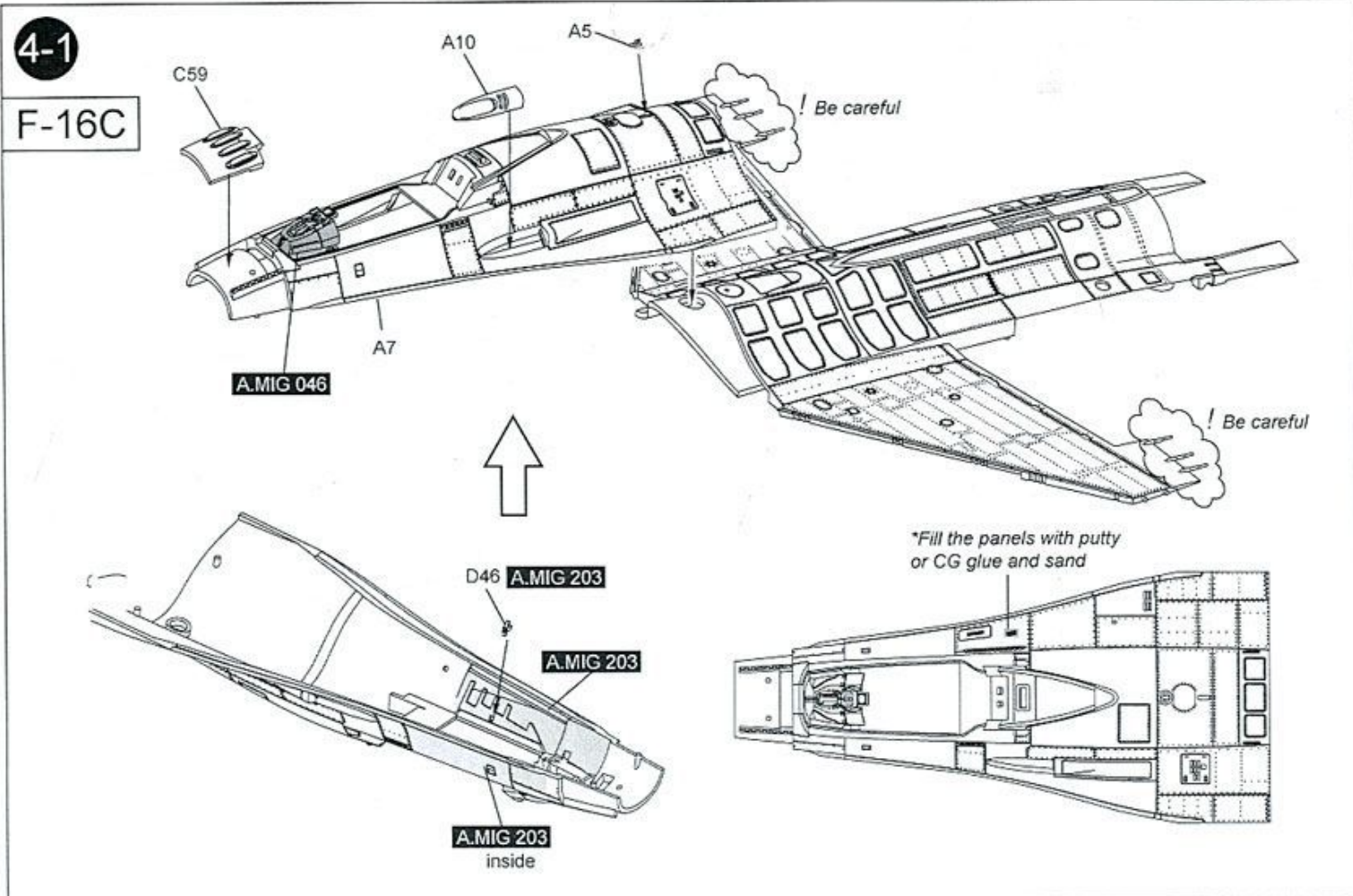
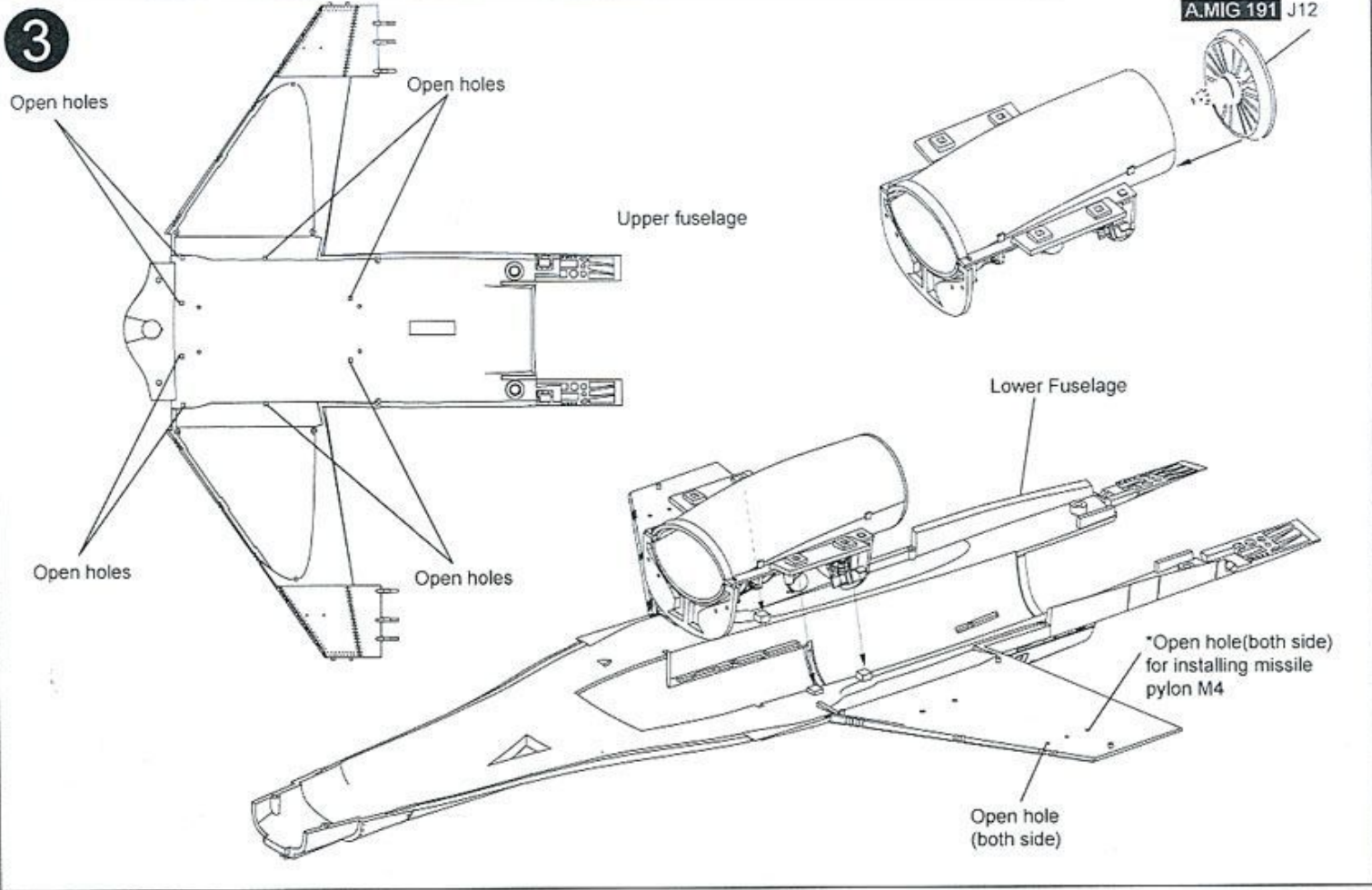
1-2

F-16D



2

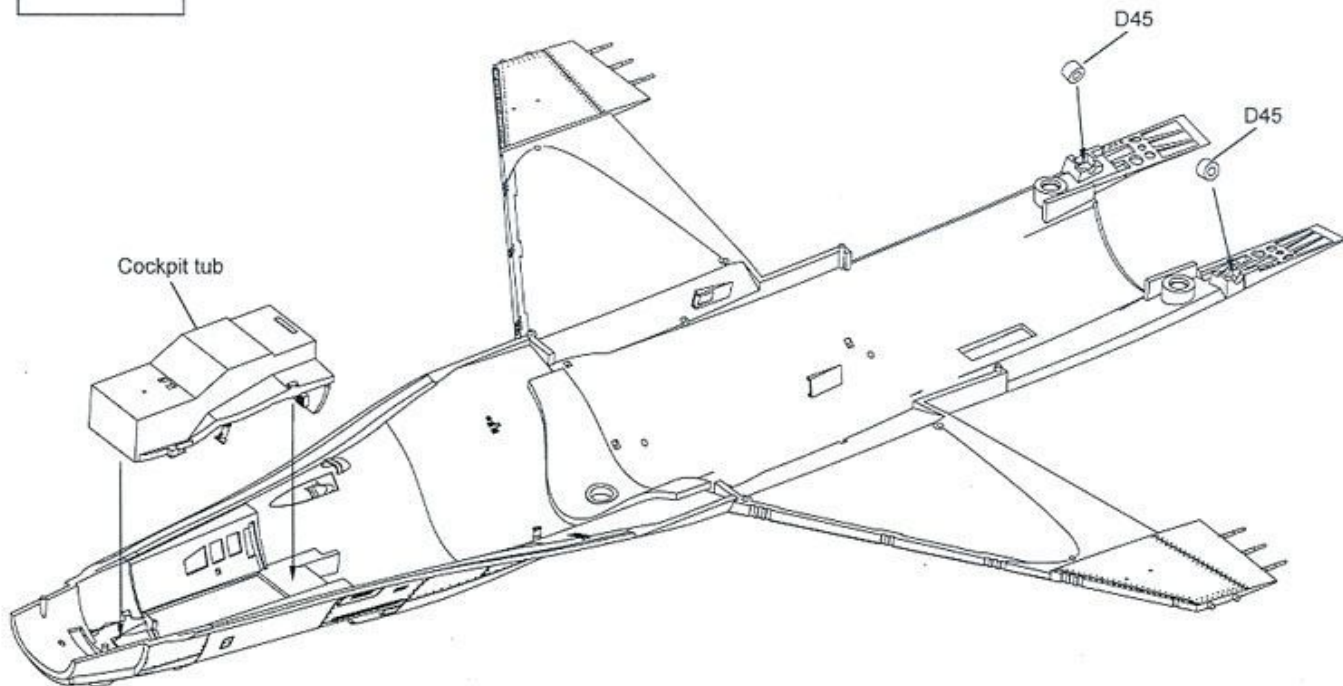






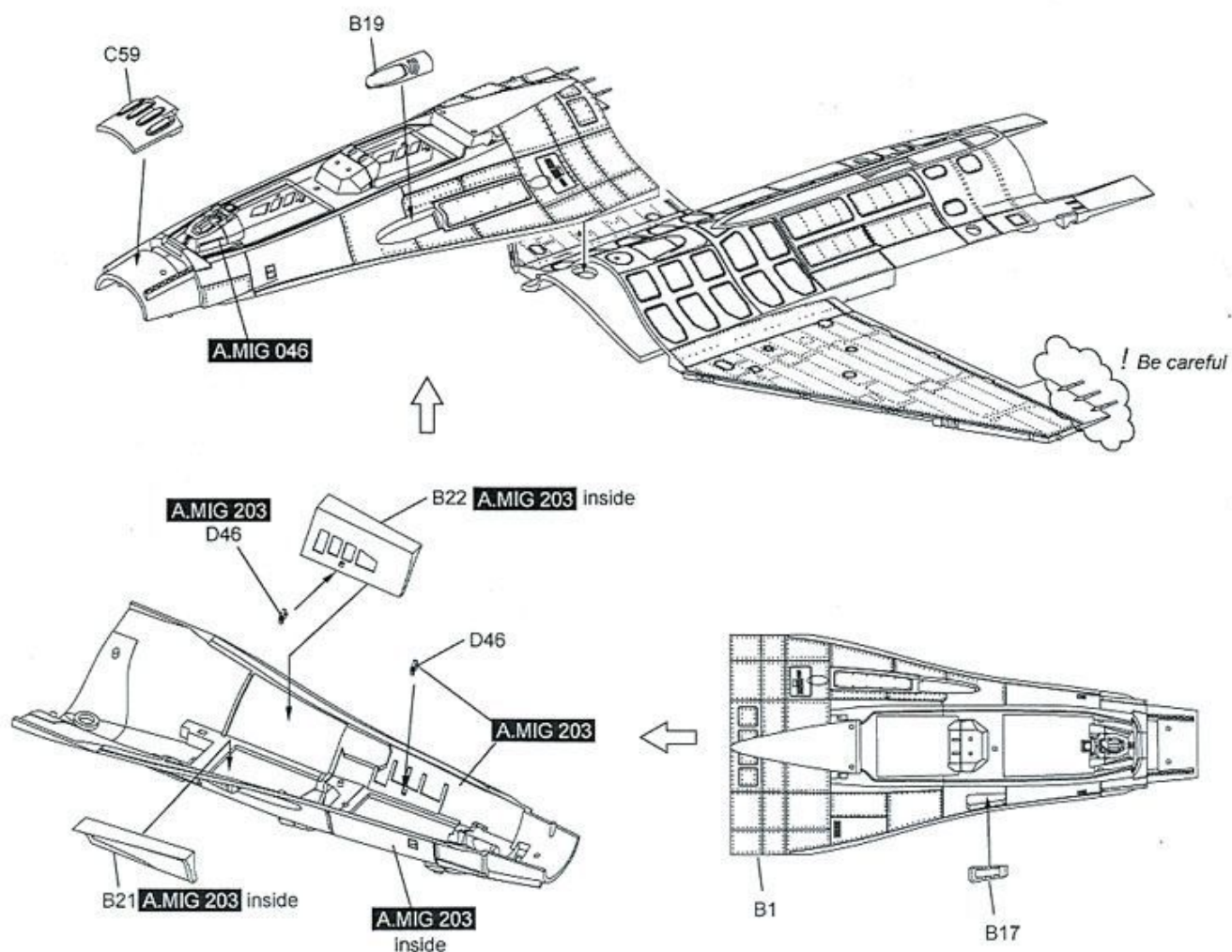
5-1

F-16C

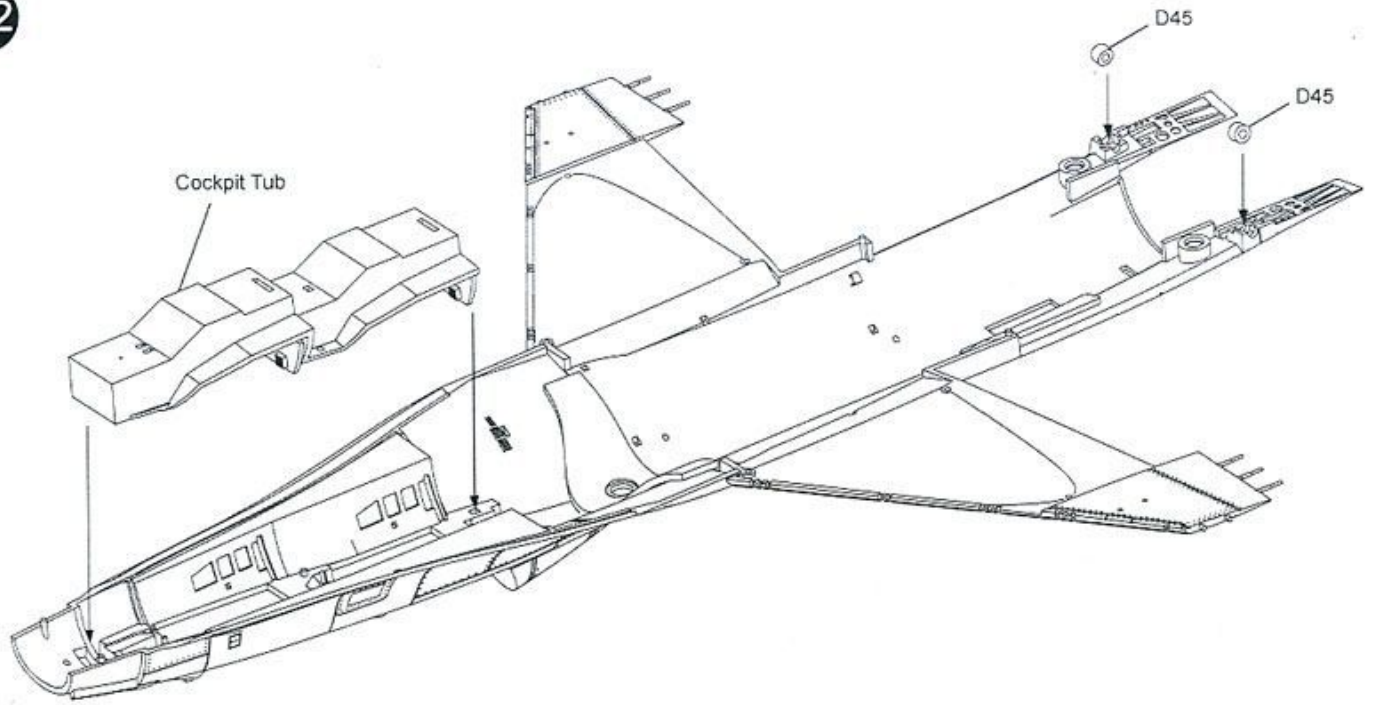


4-2

F-16D

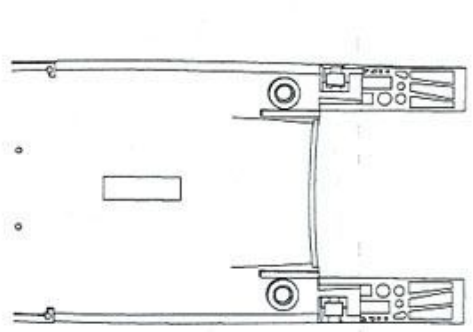


5-2

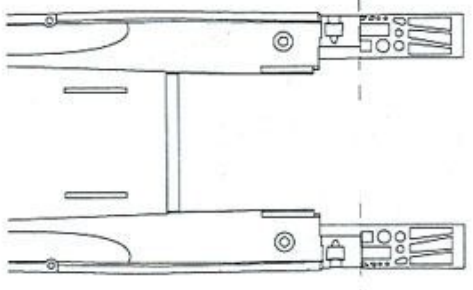
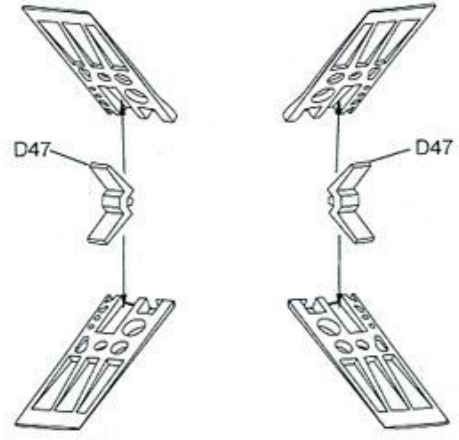


6

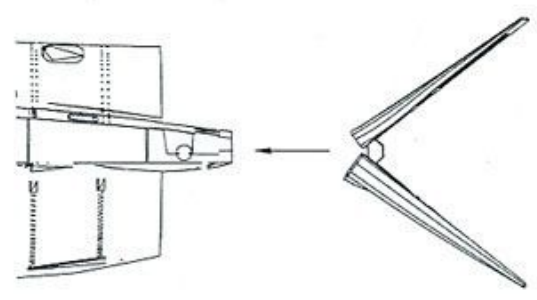
Cut along the lines for open air brake



Upper Fuselage



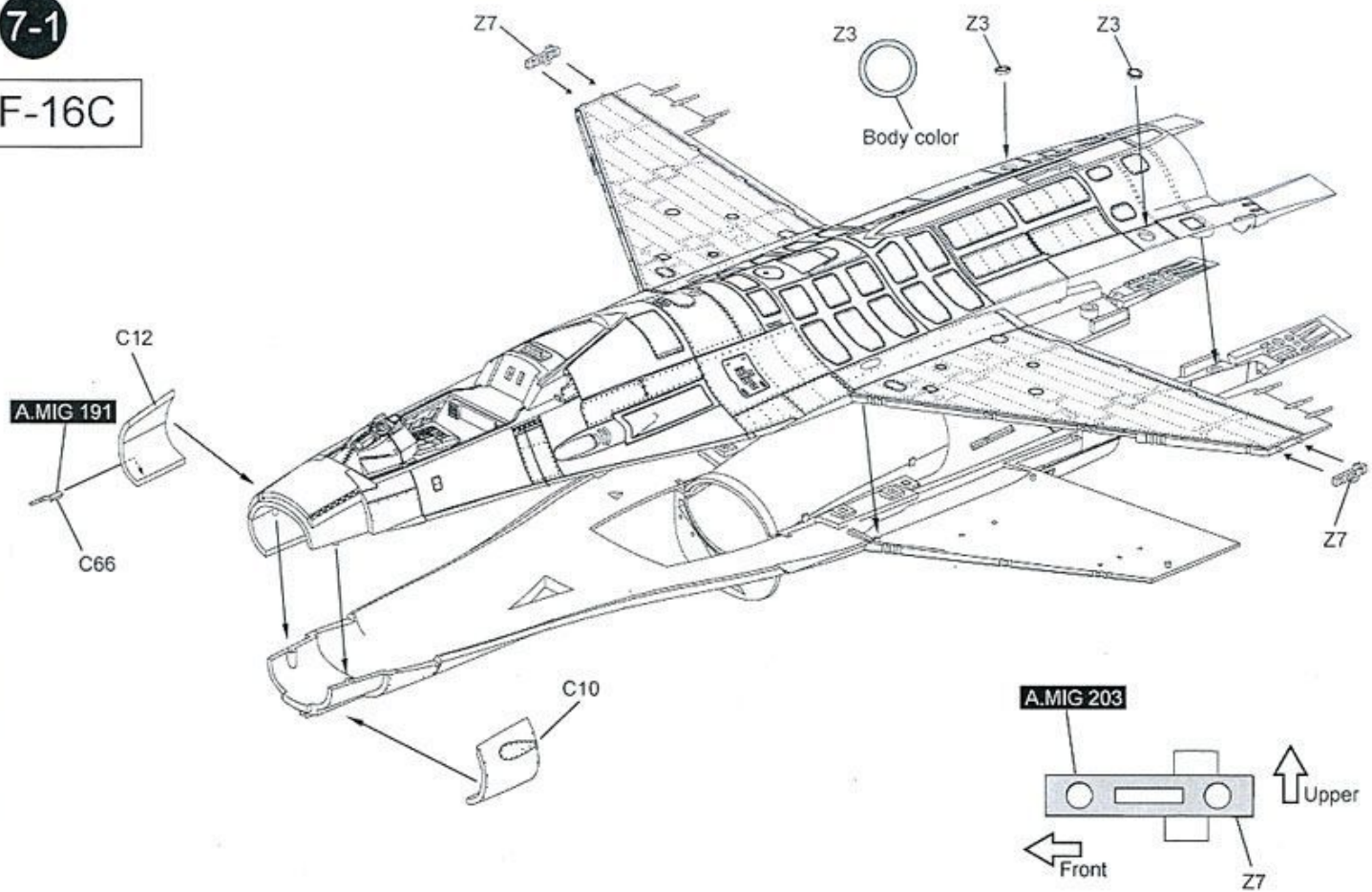
Lower Fuselage





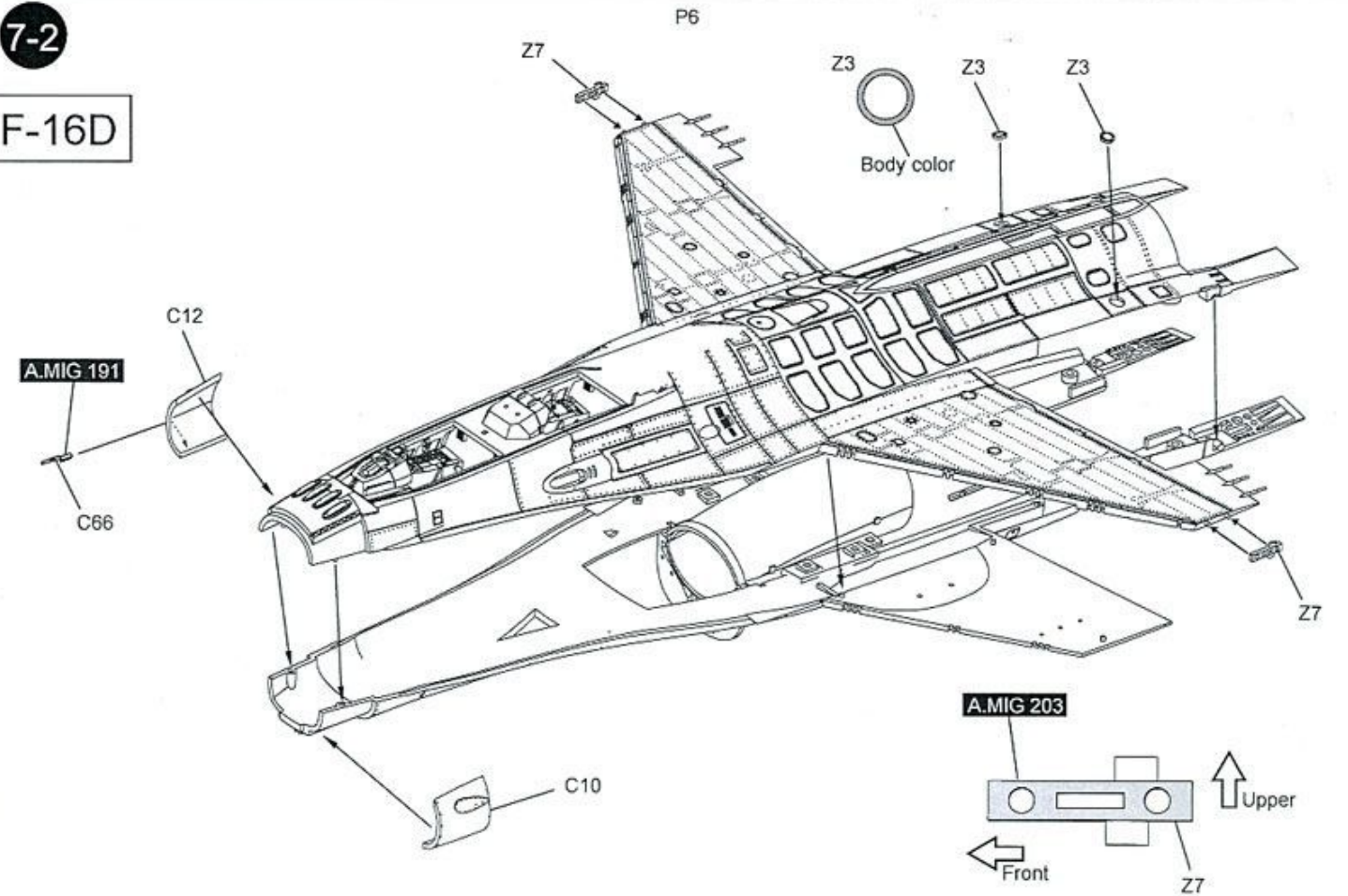
7-1

F-16C

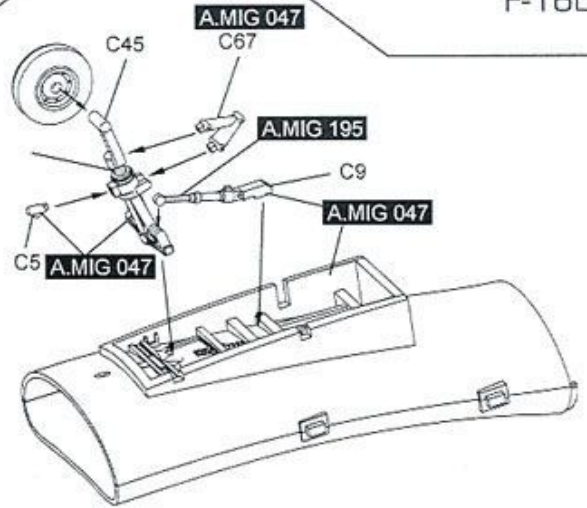
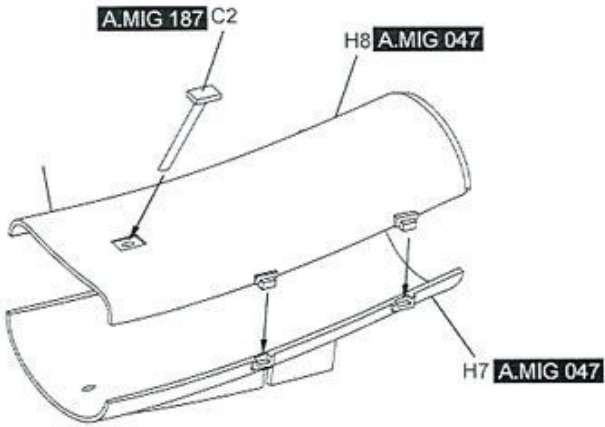
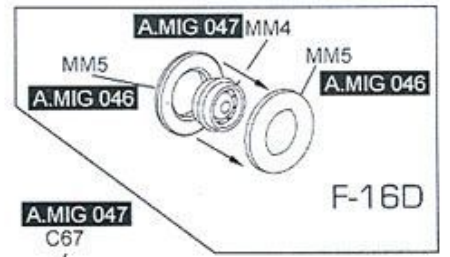
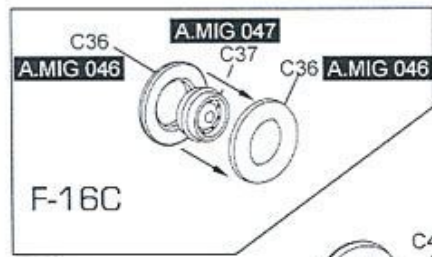


7-2

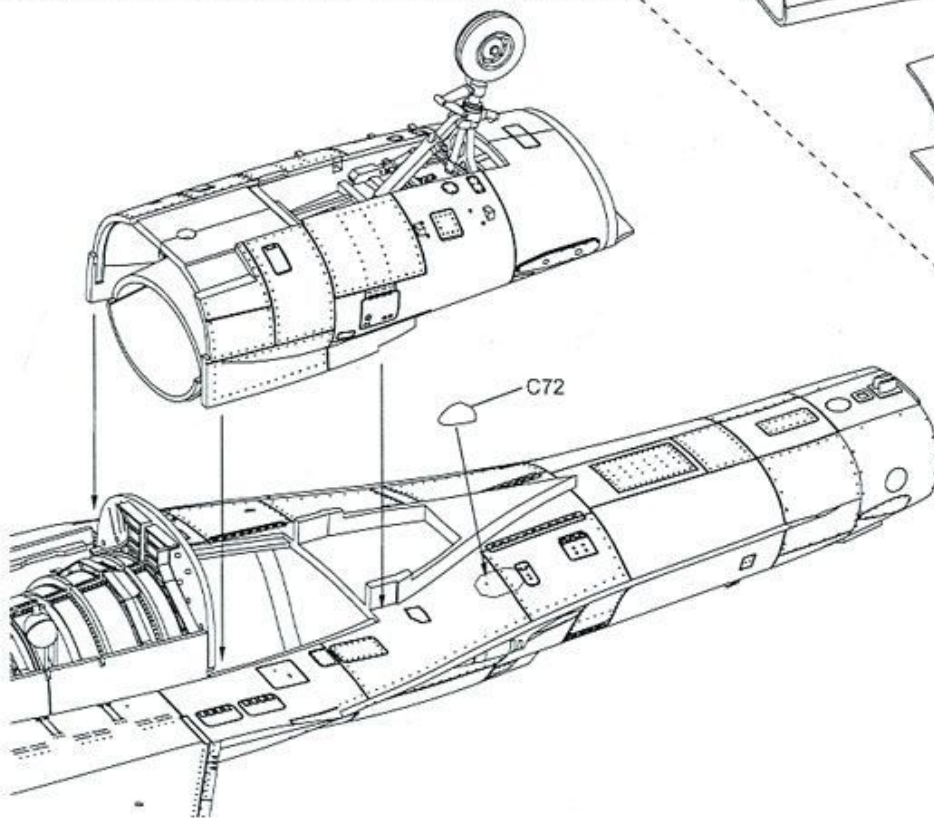
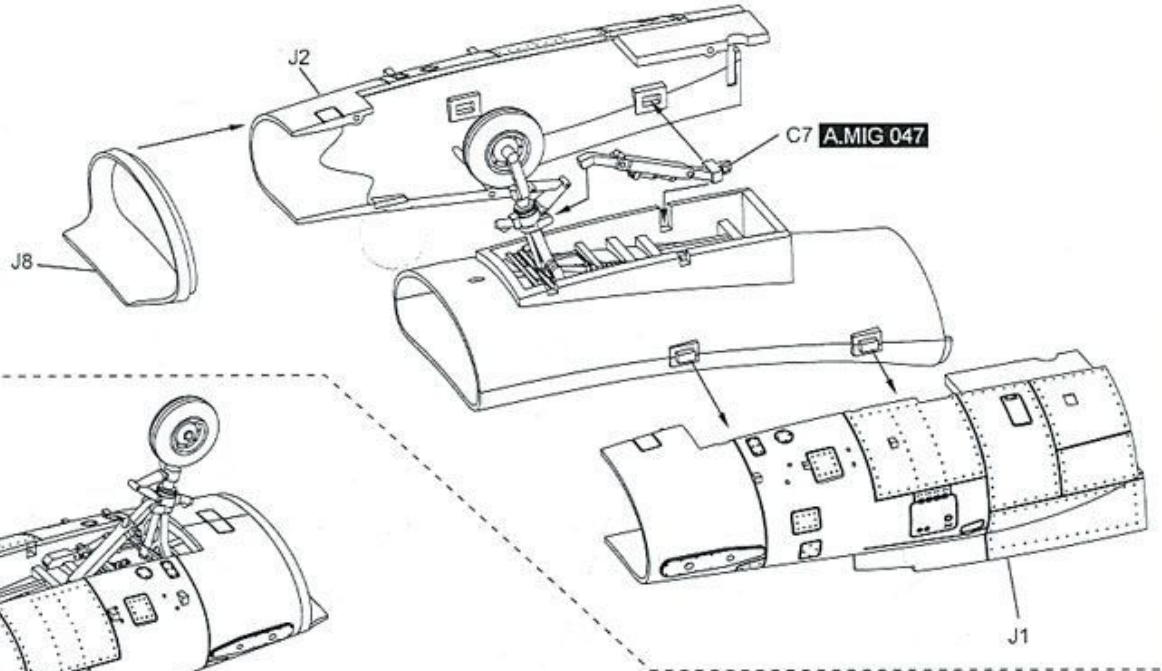
F-16D



8

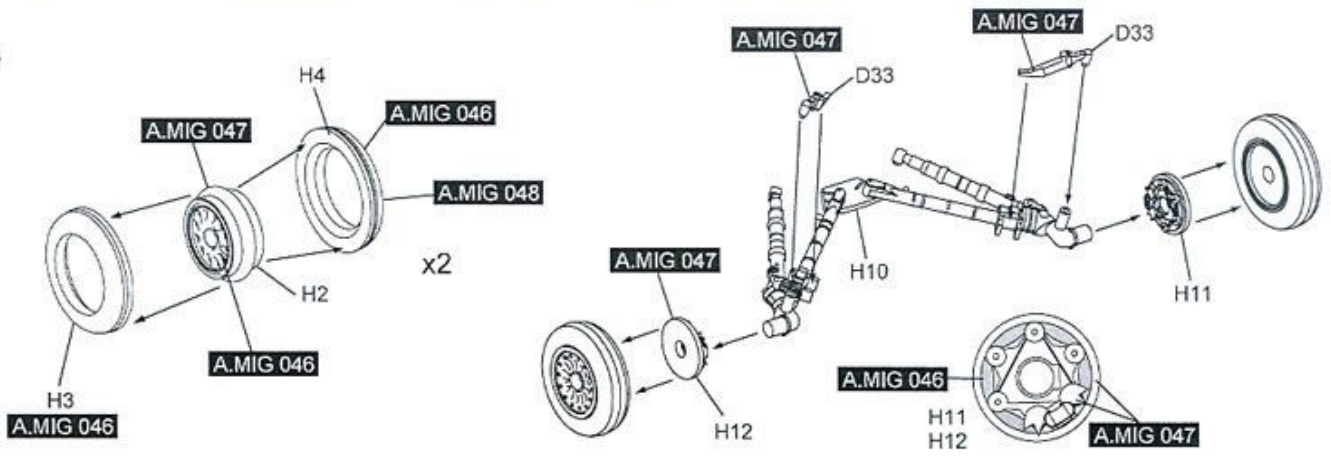


9

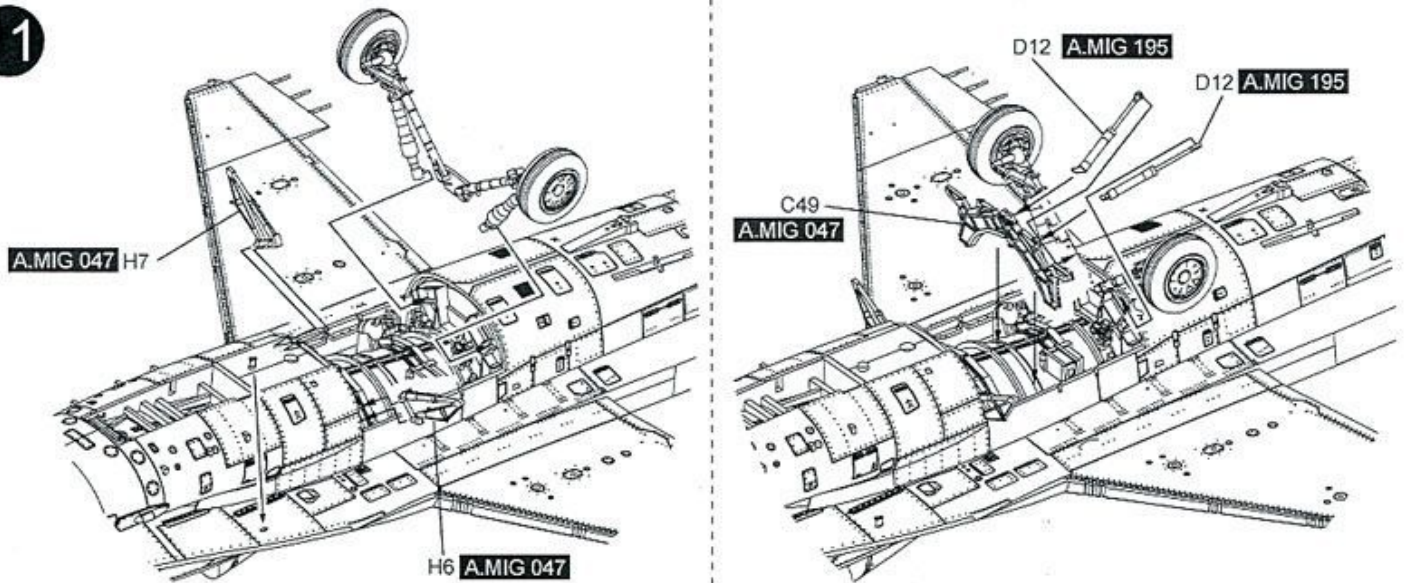




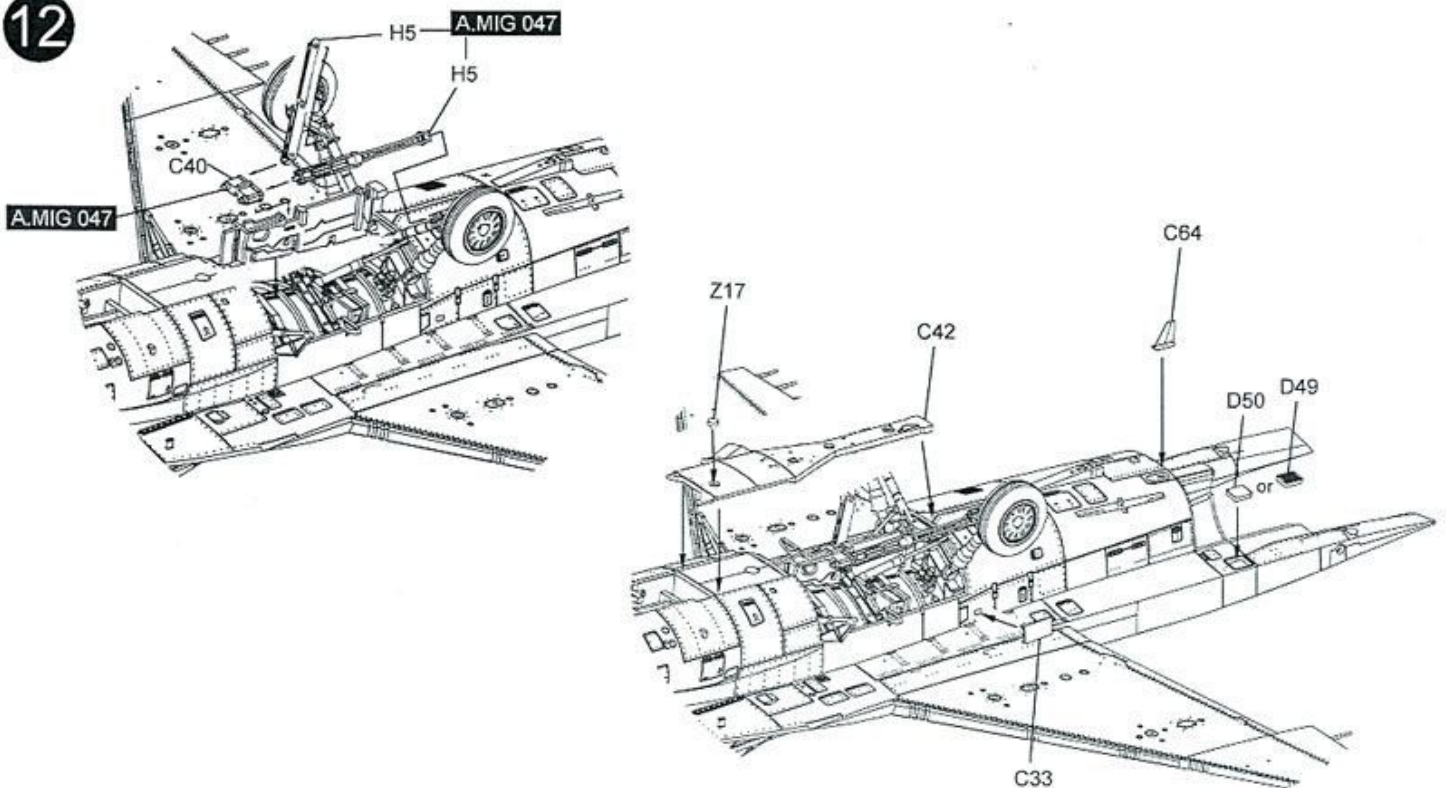
10



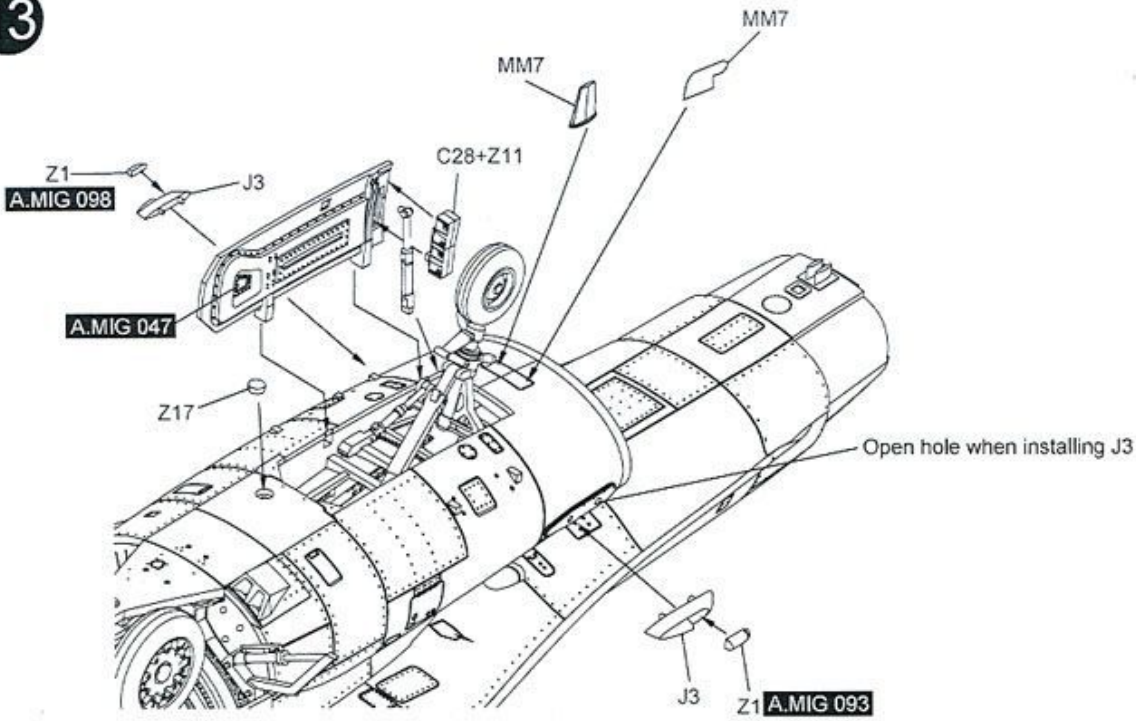
11



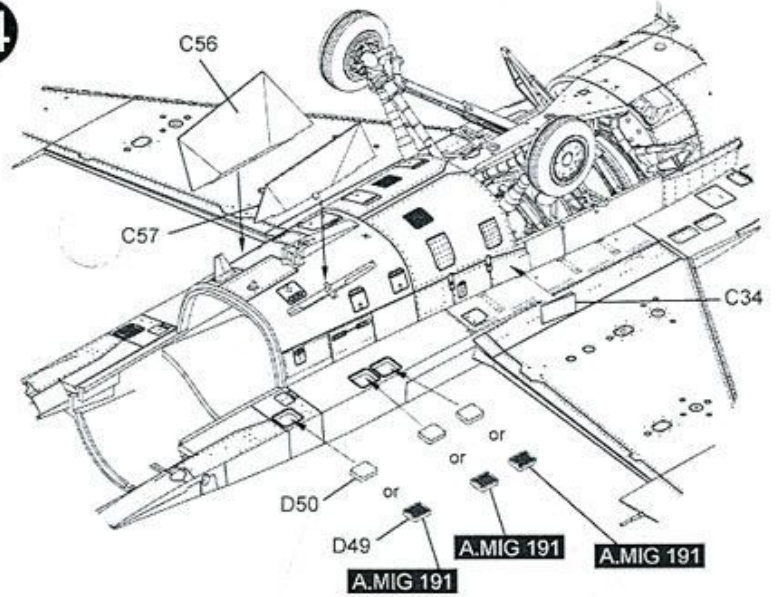
12



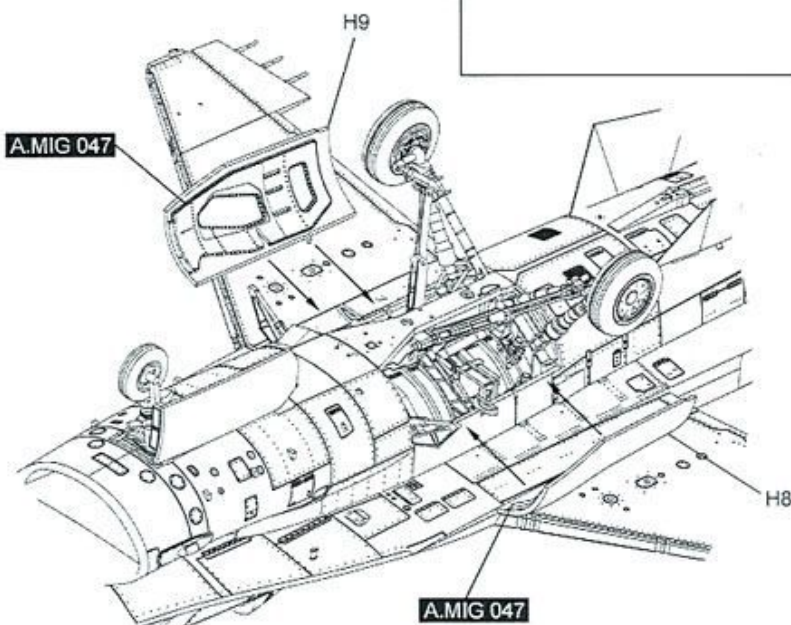
13



14

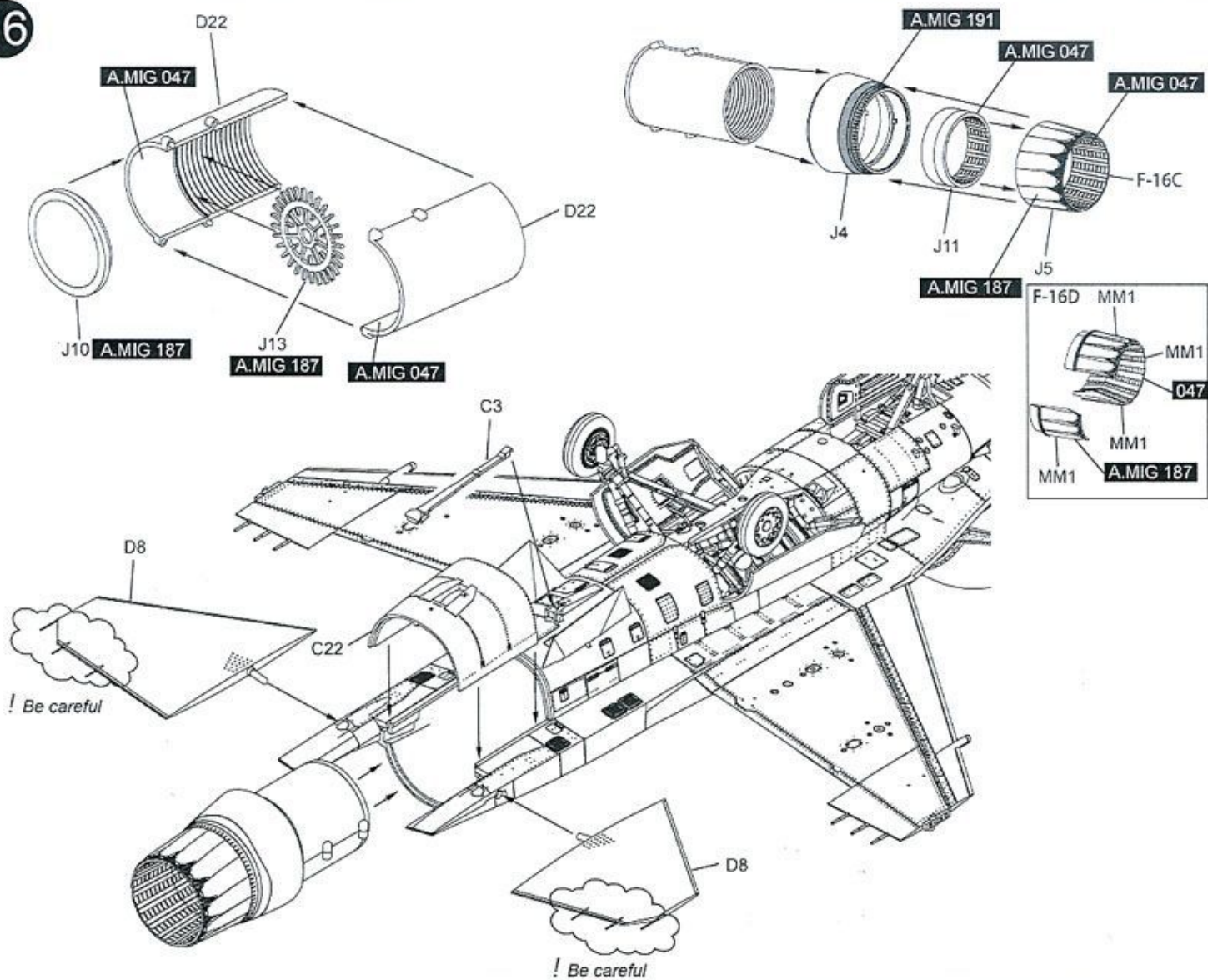


15

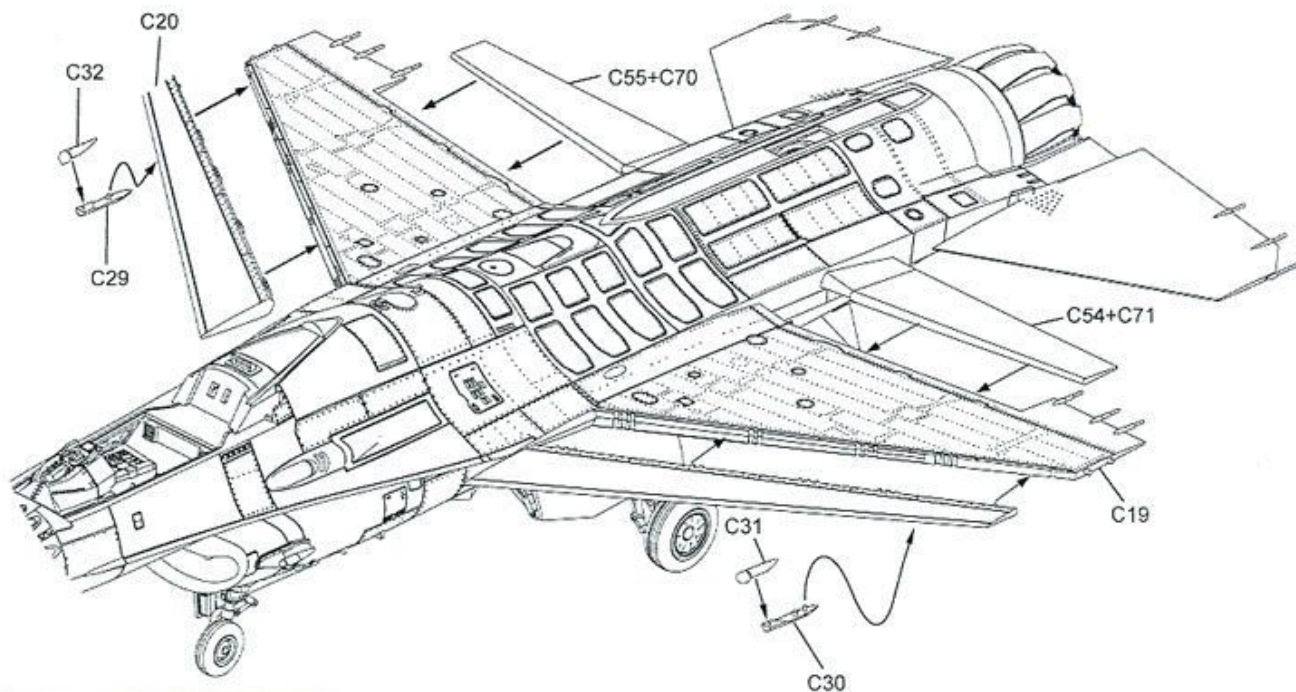


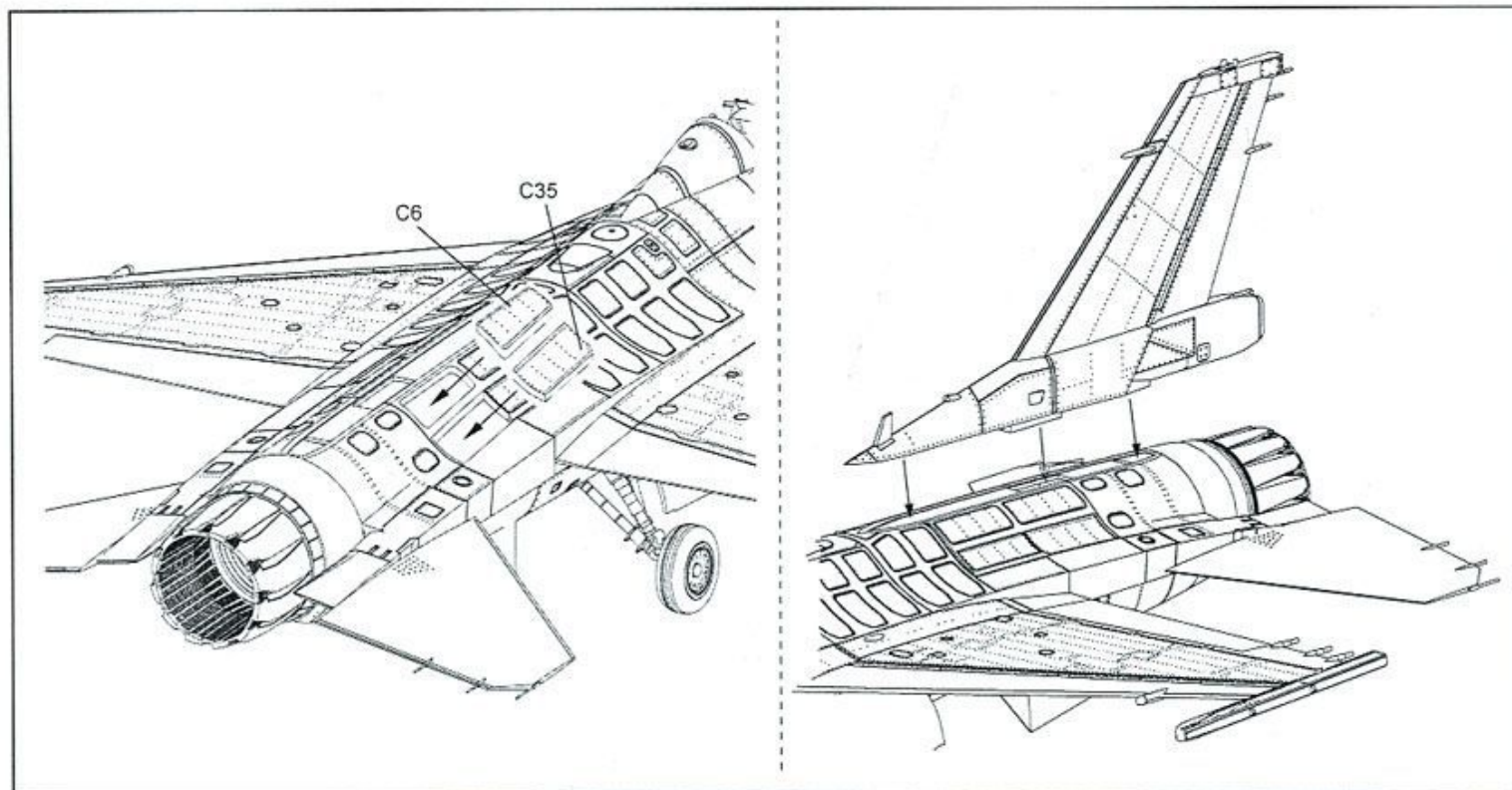
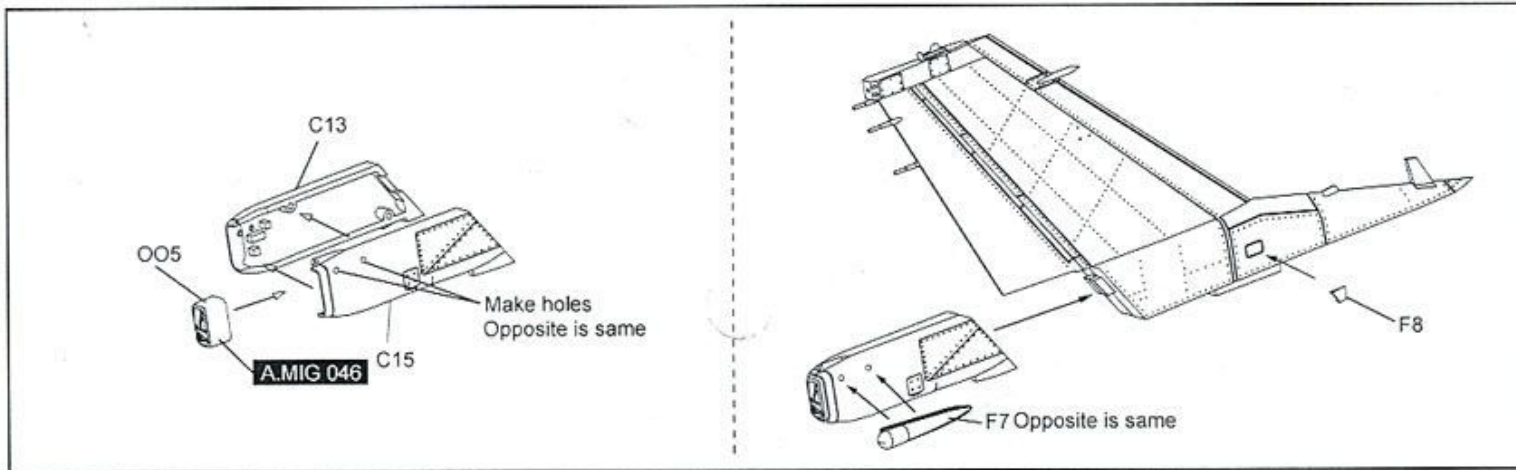
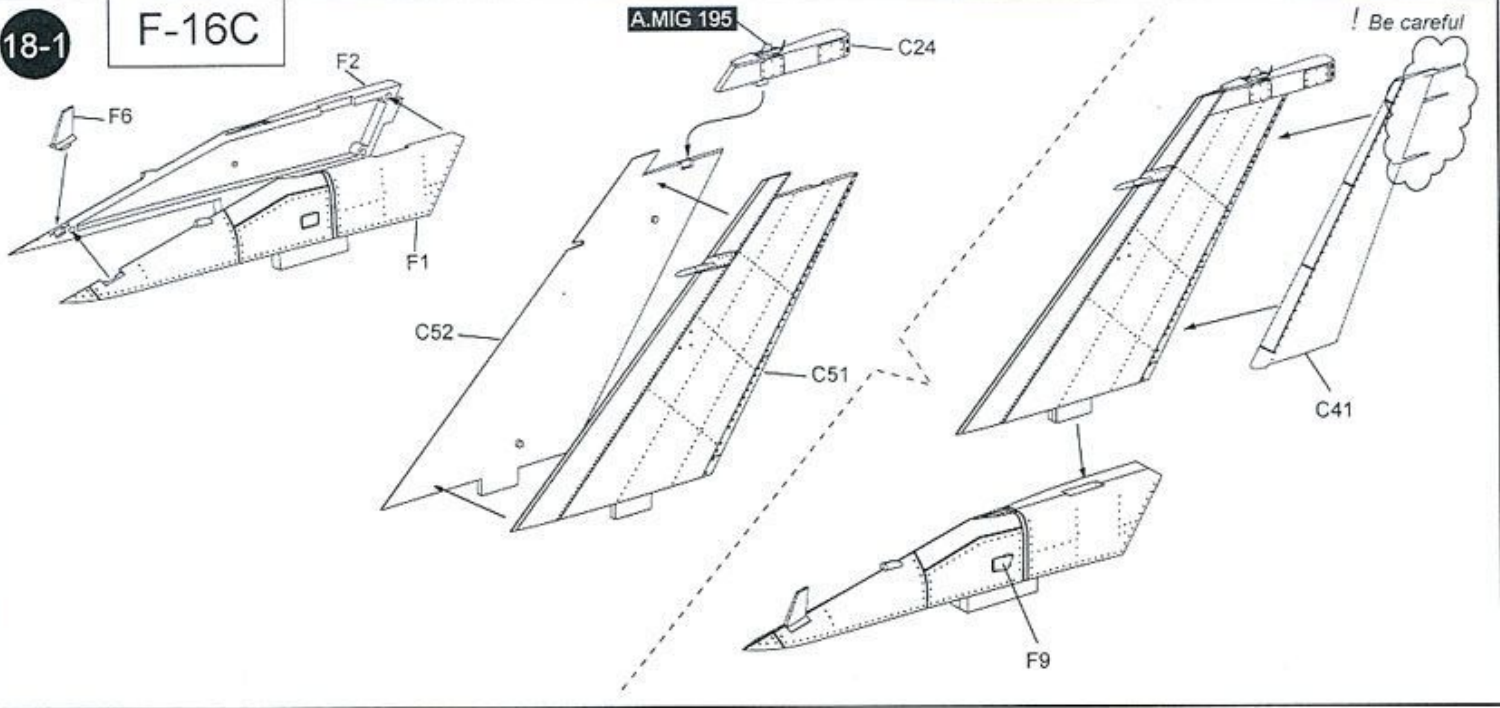


16

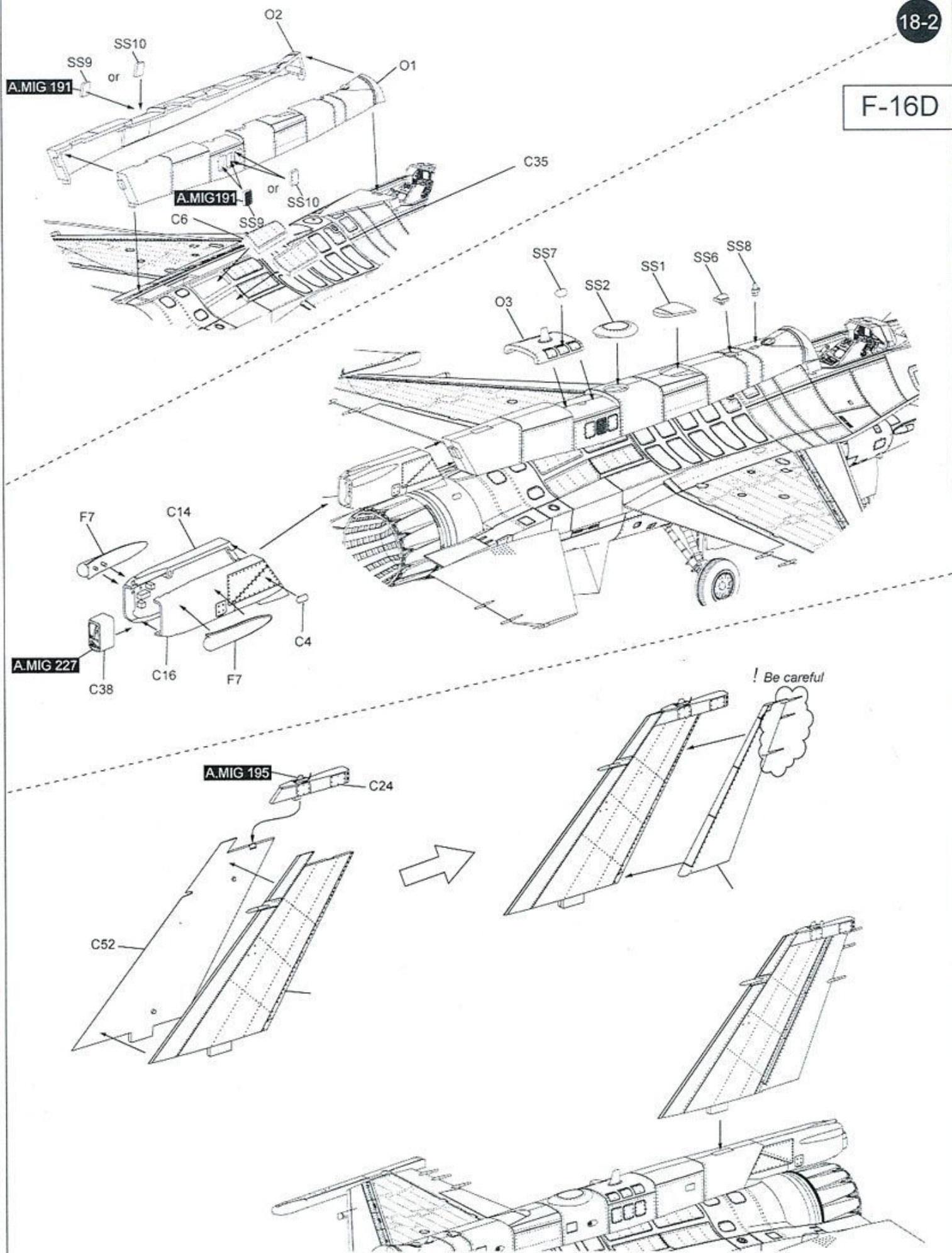


17



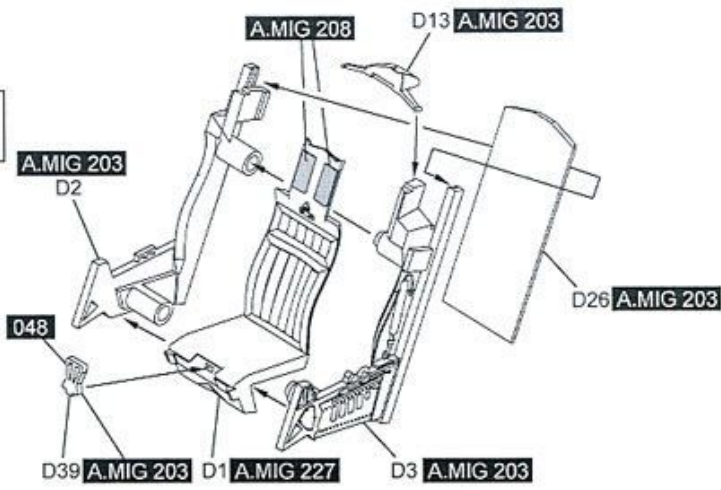




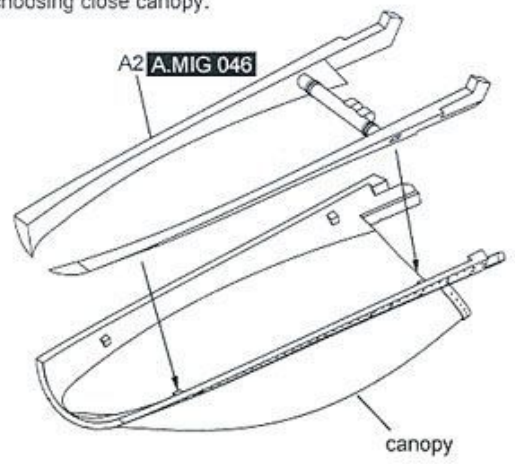


19-1

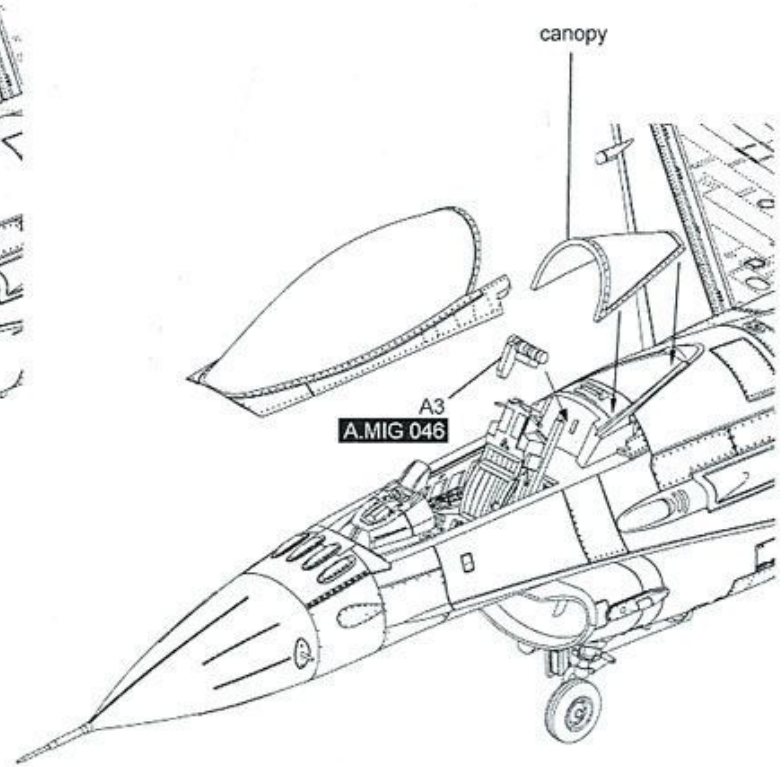
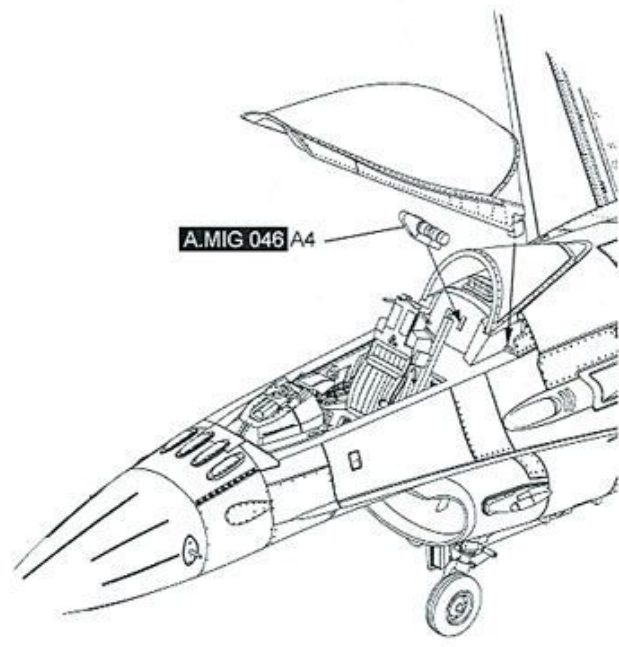
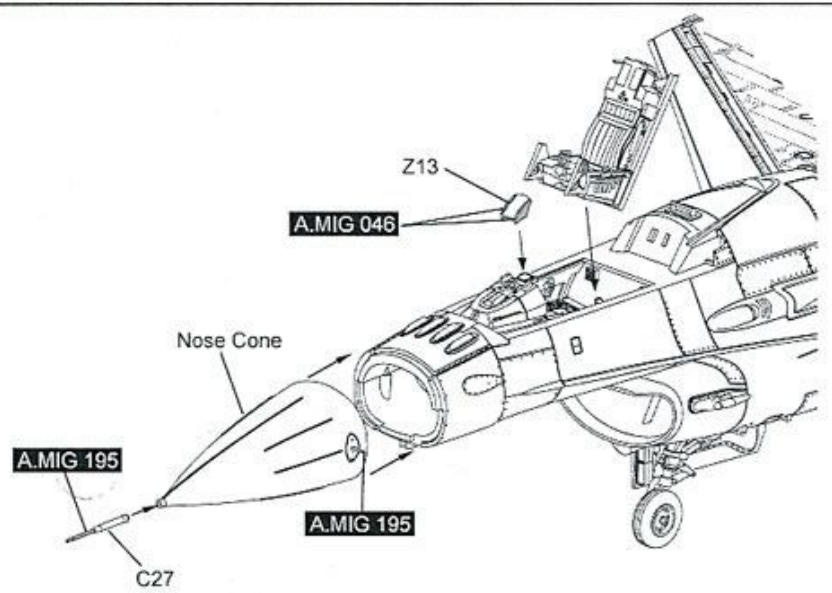
F-16C



\*Do not install A2 when choosing close canopy.



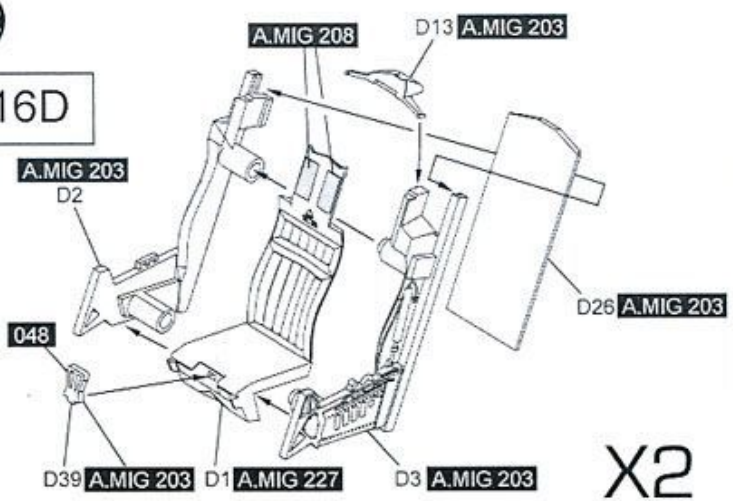
20-1



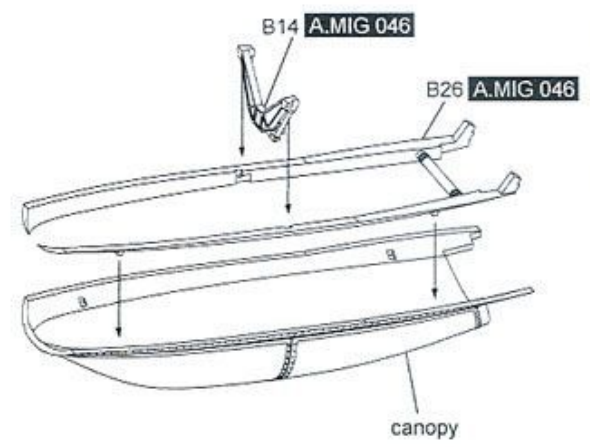


19-2

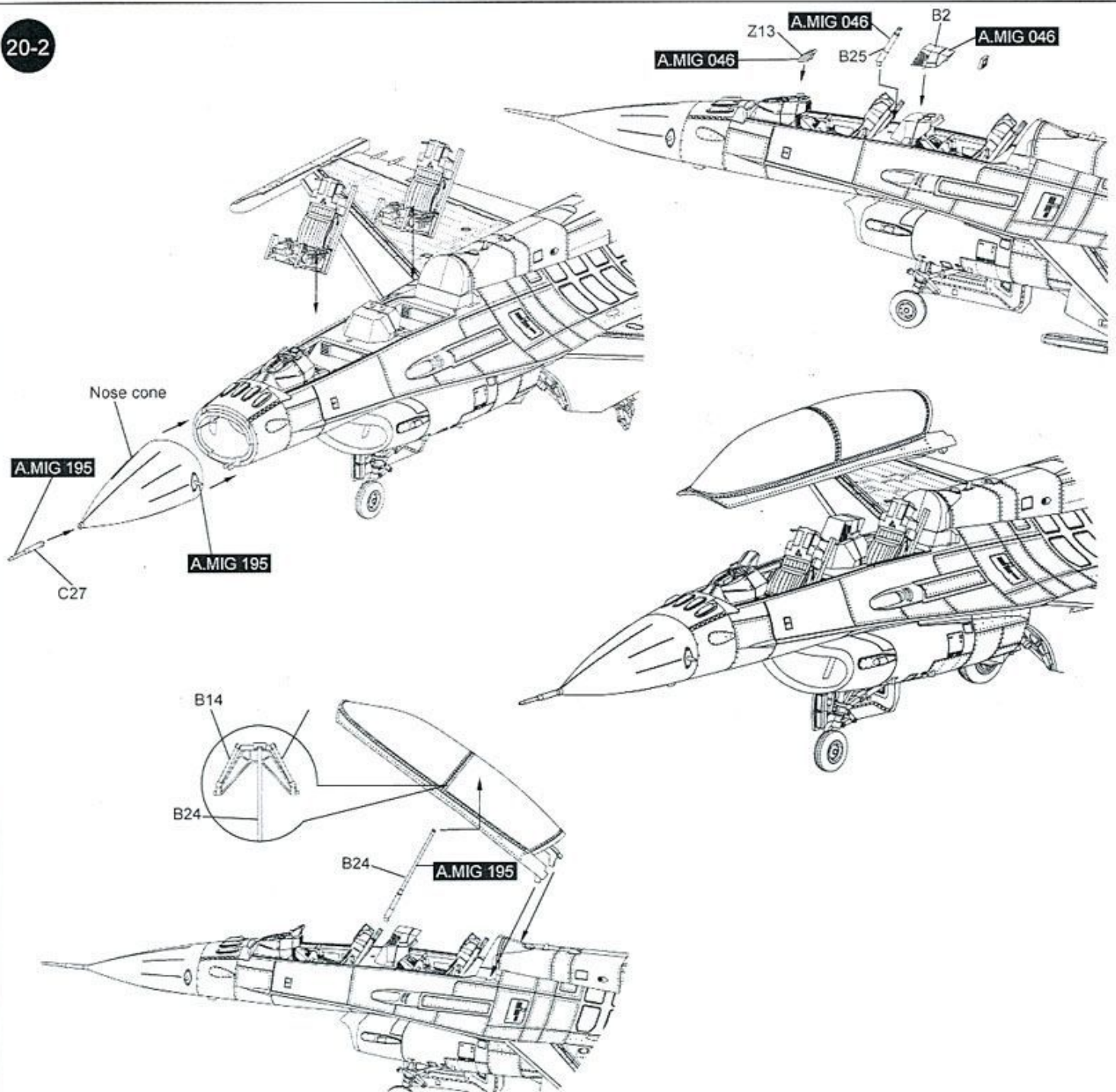
F-16D



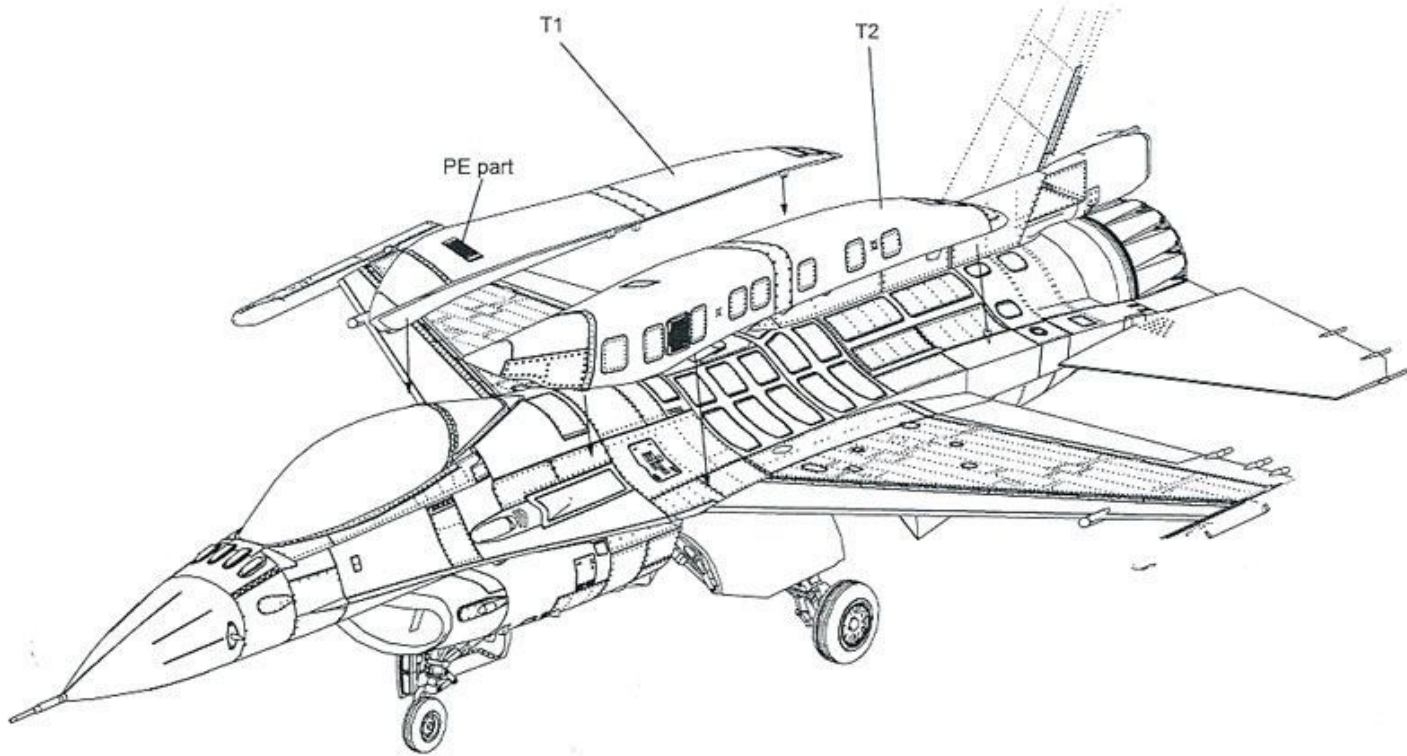
X2



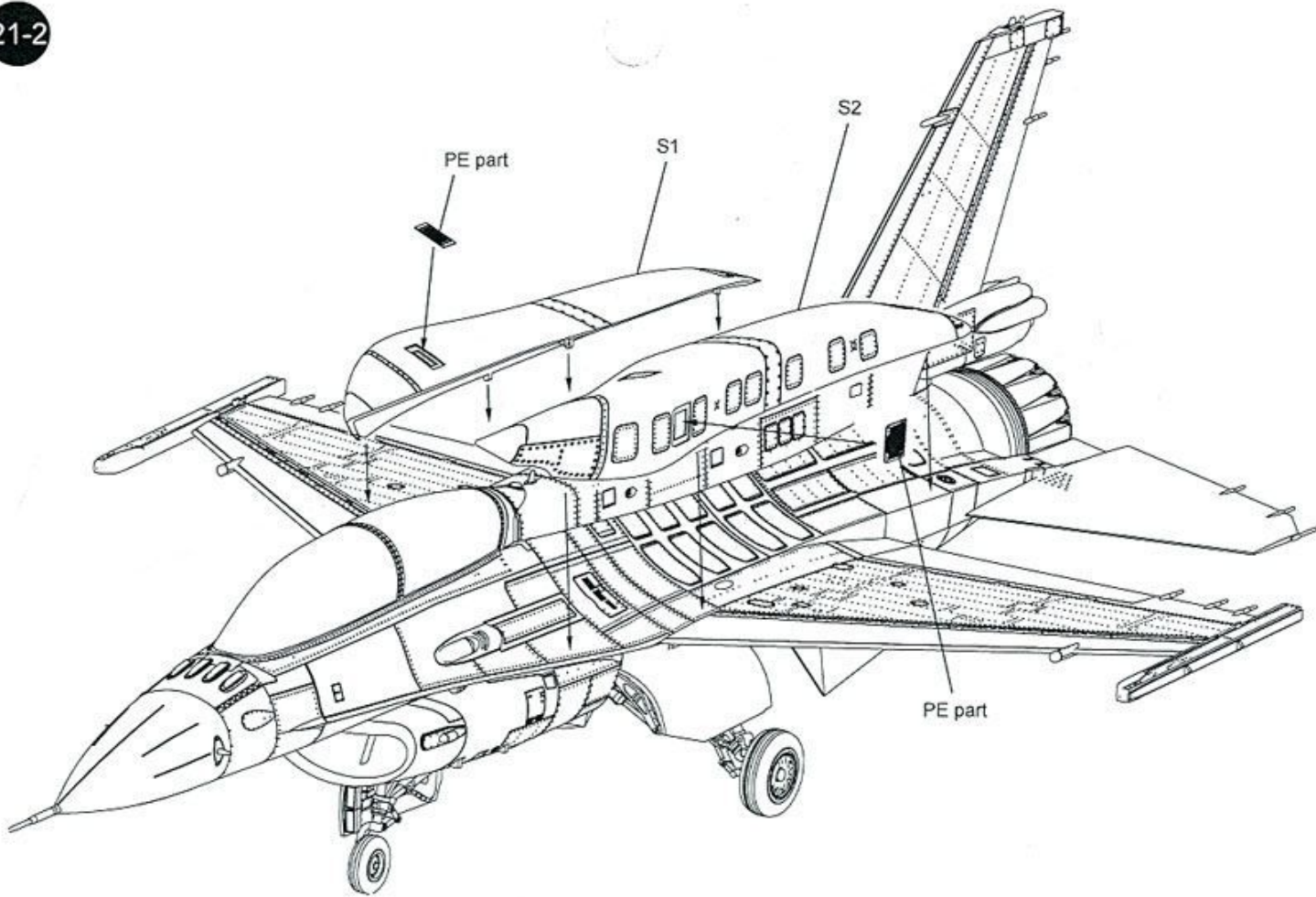
20-2



21-1



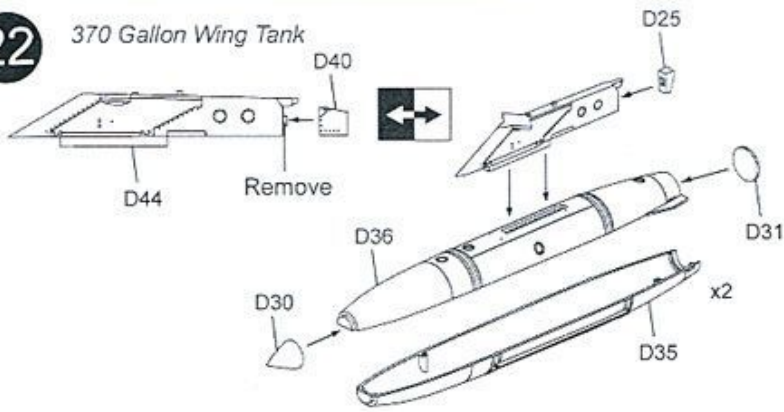
21-2



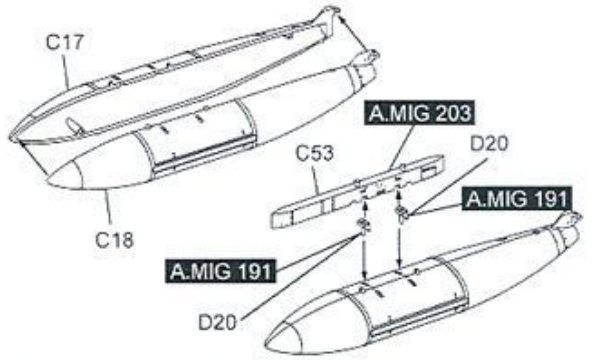


22

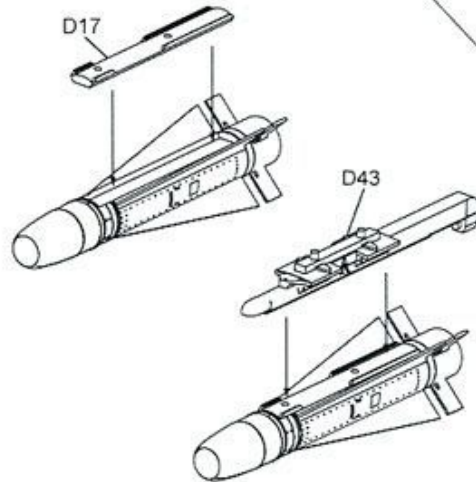
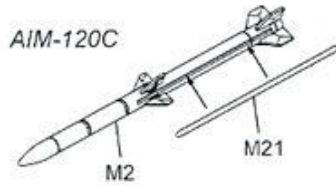
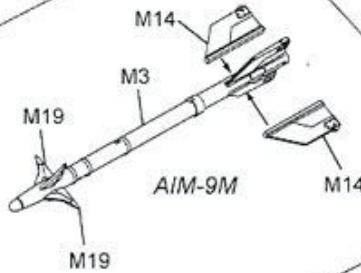
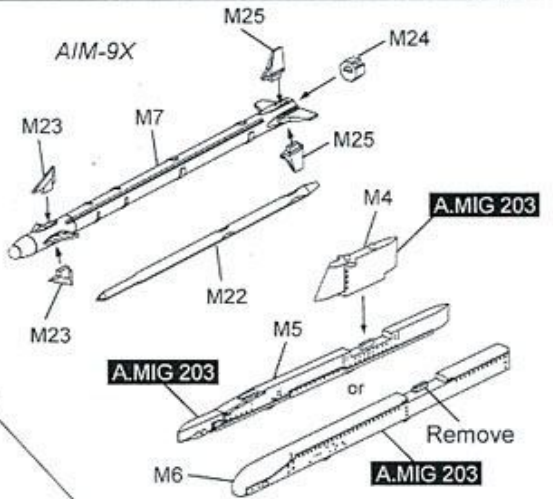
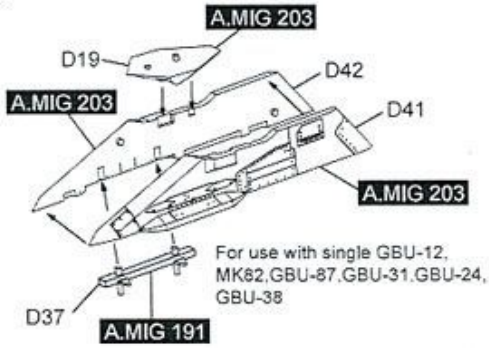
370 Gallon Wing Tank



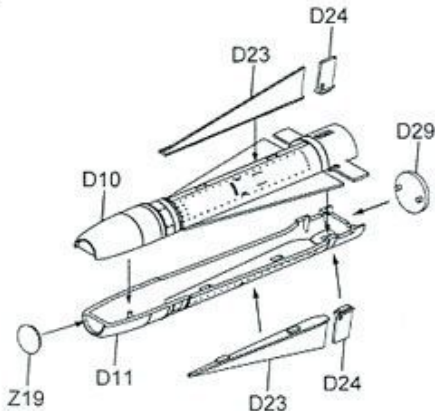
300 Gallon Centerline Tank



23

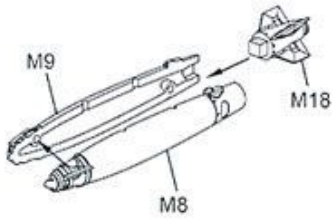


AGM-65

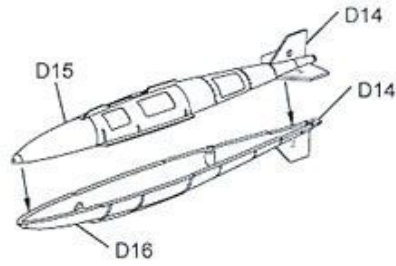


24

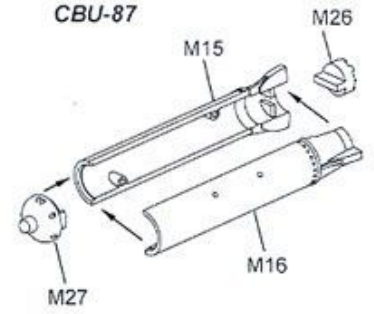
GBU-38



GBU-31

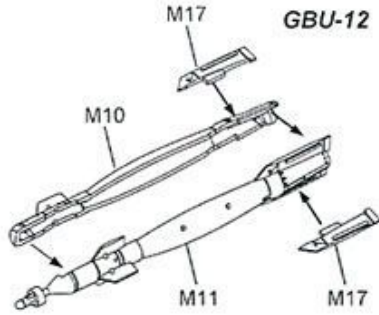


CBU-87

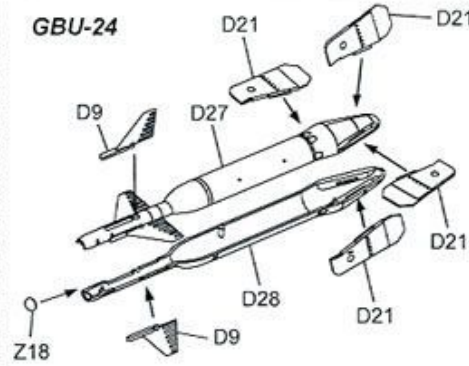


25

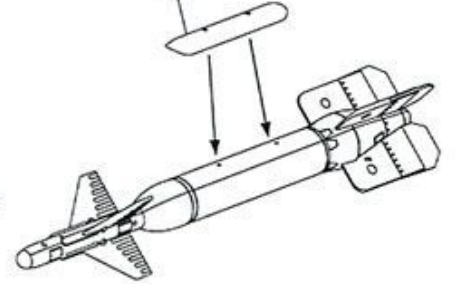
GBU-12



GBU-24

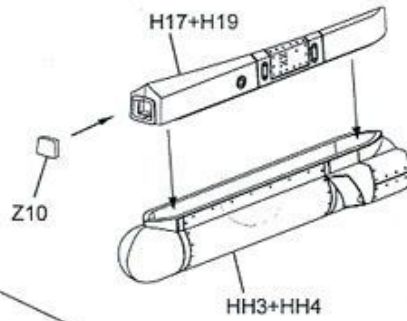


D18

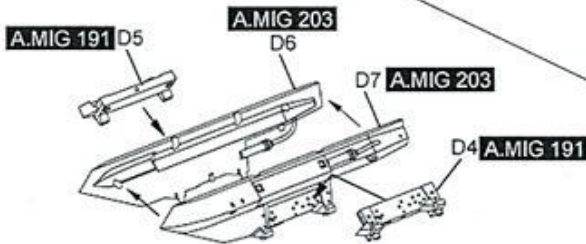


26

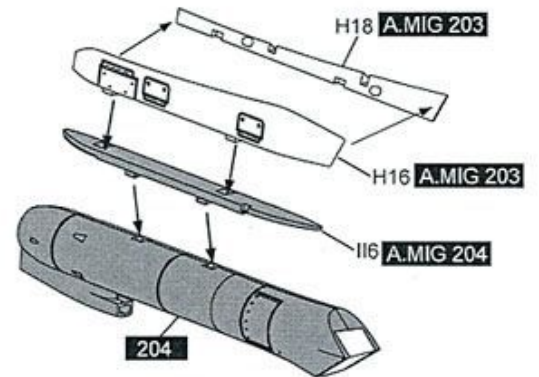
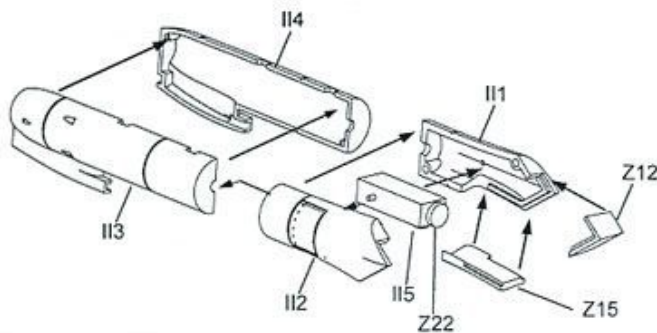
AN/AAQ-13



TER

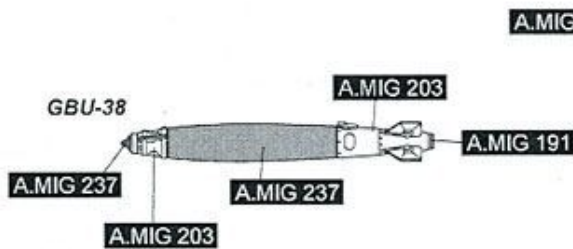
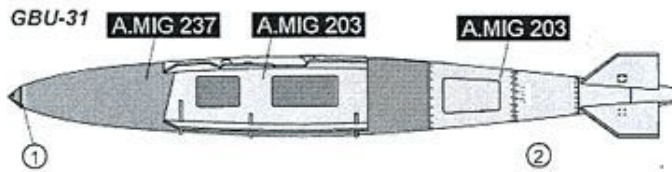
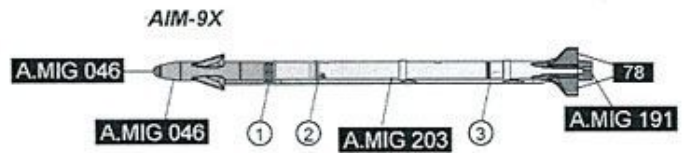
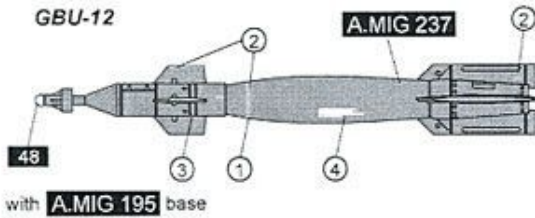
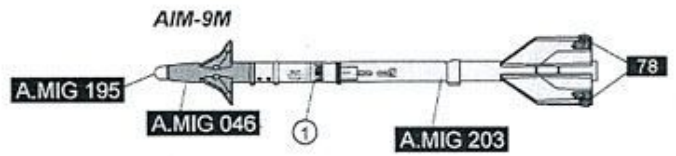
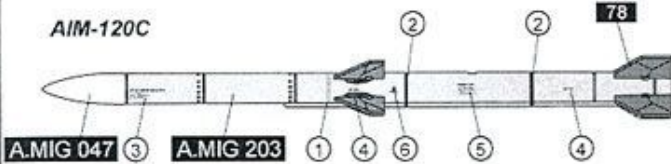
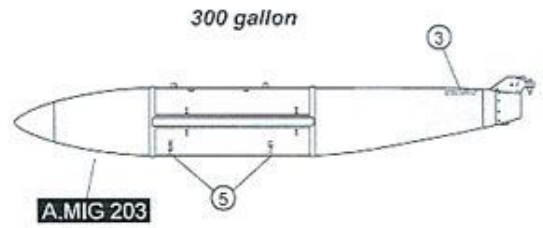
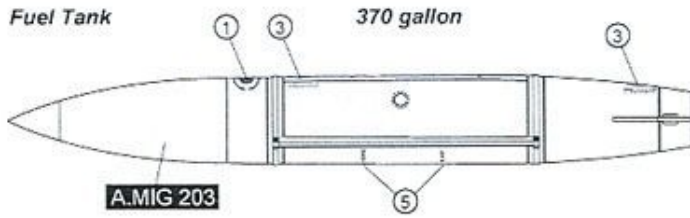


SNIPER XR

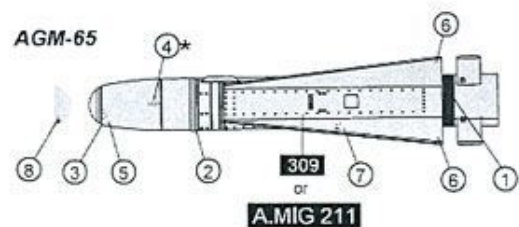
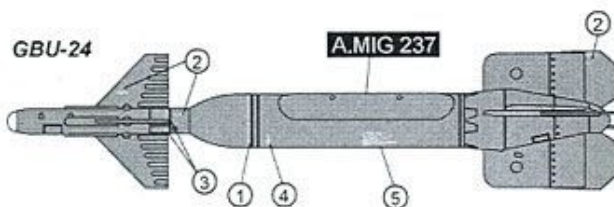
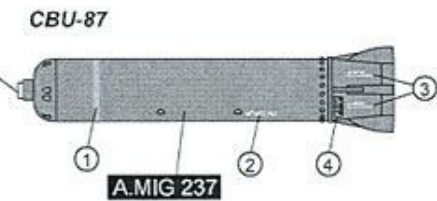




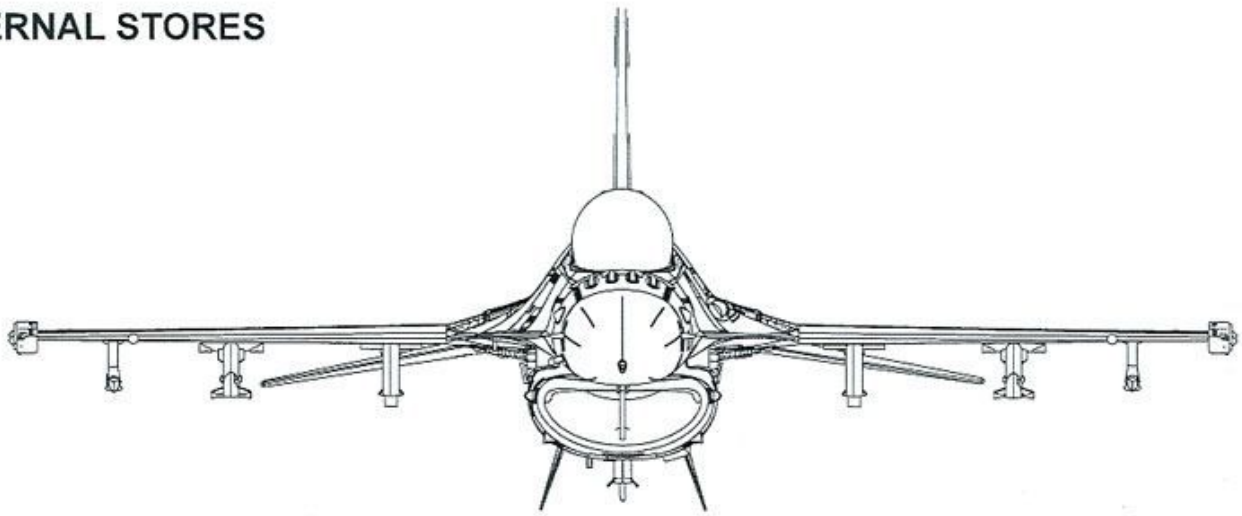
# Painting & Decal Placement - External Stores (F-16 C/D)



**A.MIG 198** 60%+ **A.MIG 195** 40%



# EXTERNAL STORES



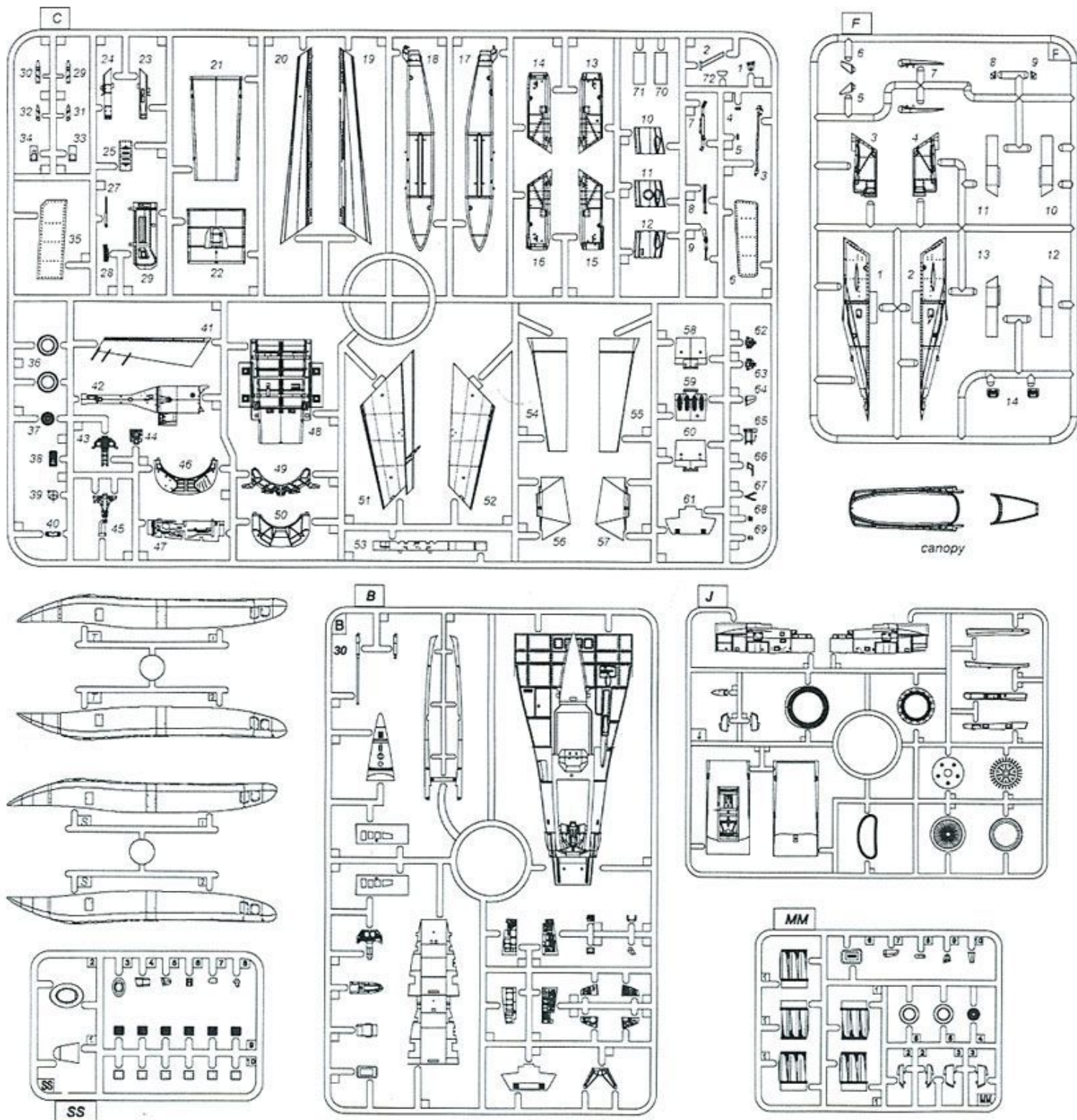
Station No. Weapons	9	8	7	6	5R	5	5L	4	3	2	1
LAU-114 (W/AIM-9M only)	●	●								●	●
LAU-129	●	●								●	●
AIM-9M	●	●								●	●
AIM-9X (W/LAU-129 only)	●	●								●	●
AIM-120C (W/LAU-129 only)	●	●	●						●	●	●
GBU-12			●						●		
GBU-12 (W/TER)			● ●						● ●		
GBU-31			●						●		
GBU-87			●						●		
GBU-87 (W/TER)			● ●						● ●		
GBU-38			●						●		
GBU-38 (W/TER)			● ●						● ●		
GBU-24			●						●		
AGM-65			●						●		
370gal. Fuel tank				●				●			
300gal. Fuel tank						●					
SNIPER XR					●						



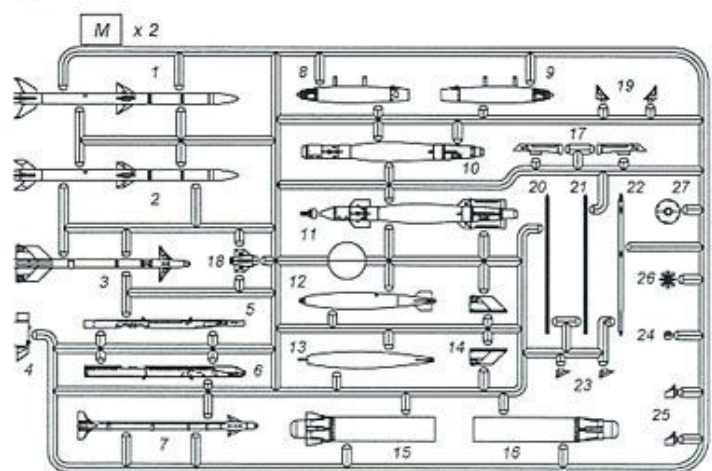
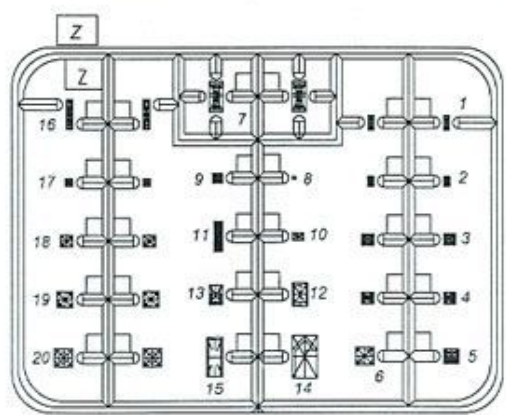
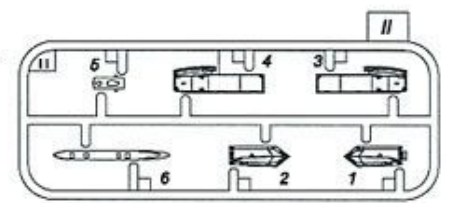
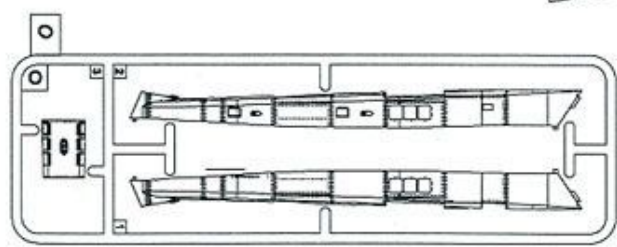
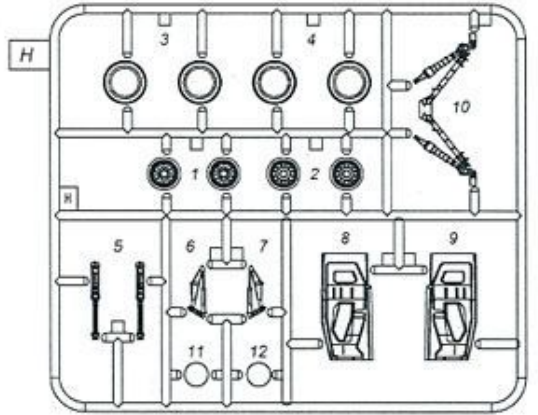
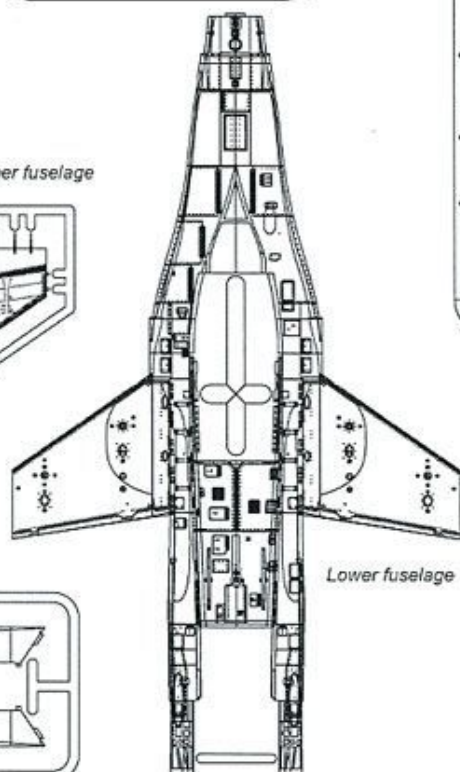
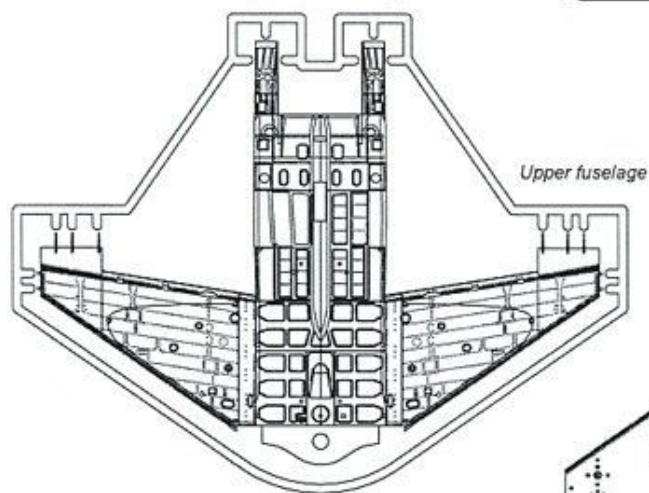
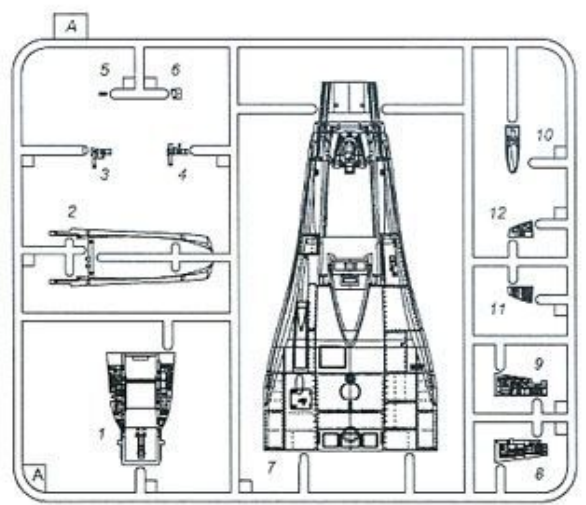
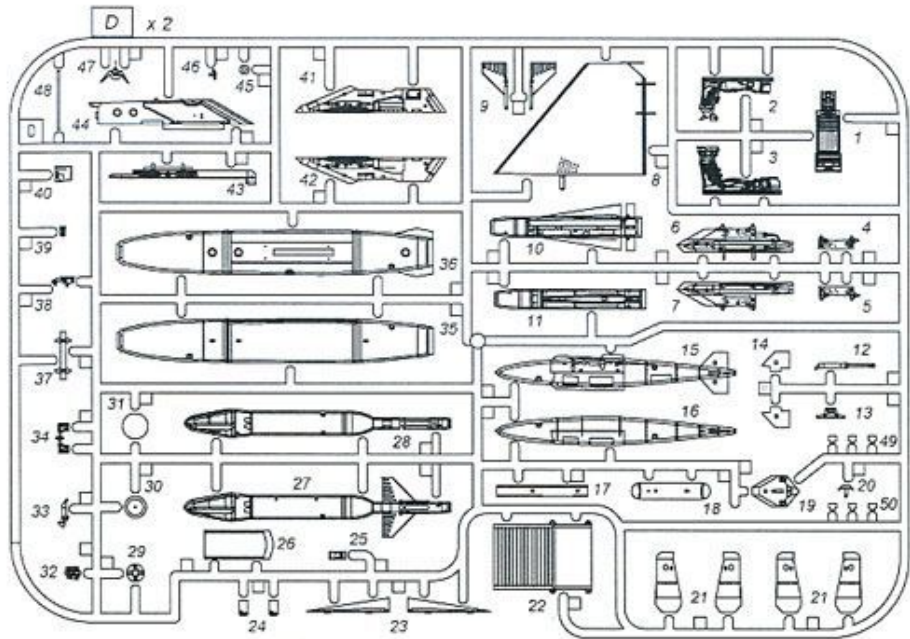
**CAUTION** ⚠

- \*Read carefully and fully understand the instructions before commencing assembly.
- \*Keep out of reach of children. Children must not be allowed to put any parts in their mouths, or pull plastic bag over their heads.
- \*When using adhesives and paints, please make sure not to use them in closed room or near the fire.
- \*When assembling this kit, tools including knives are used. Extra care should be taken to avoid injury.

**WARNING: CONTAIN SMALL PARTS NOT FOR CHILDREN UNDER 14 YEARS OF AGE.**







Some parts are not for use. For those parts not shown in the construction manual, please simply neglect them as they will not be used for building this model.

