

# AAVR-7A1 Assault Amphibian Vehicle Recovery

アメリカ海兵隊 AAVR-7A1 回収型

美国海军陆战队AAVR-7A1两栖维修车

## PLEASE READ BEFORE OPERATION!

- \* Tools recommended as below: (Not included)  
Adhesives; Paints; Side Cutters; Sharp Edged Pliers; Modeling Knife; Modeling File; Nippers; Drill; Scissors; Sand Paper; Soft Cloth; Cyanoacrylate Glue.
- \* Make sure to read this instruction listed below before assembling.
- \* The kit contains the small parts, they can be dangerous if swallowed by mistake, so keep them away from reach of children.
- \* Cut the all parts off carefully and remove the waste parts into the garbage can.
- \* More caution and care should be needed for cutting and handling the photo etched parts.
- \* Pay attention that some parts should be attached the decal when assembled.
- \* During assembling, please tear up and throw away the plastic bags, or may cause the dangerous if wearing over head by children's mistake.
- \* When using the adhesives and paints, please do not use them in the closed room or near the fire, also must be very careful to protect your eyes, face and clothes.
- \* Adult supervised when assembled by children under 14 years old.

## 装配前请仔细阅读:

- \* 推荐使用的模型工具(请自备):  
专用模型胶水, 专用模型油漆, 水口剪刀, 长咀钳, 刀片, 锉刀, 镊子钳, 钻, 剪刀, 软布, 砂纸, 瞬间快干胶等。
- \* 用水口剪刀或刀片小心切下所有塑胶零件和蚀刻片零件, 不要遗失小零件。
- \* 切取蚀刻片时应特别注意防止利边划伤手指。
- \* 用模型锉刀小心锉平所有零件表面的注射浇口。
- \* 用适量的强力快干胶水粘合蚀刻片零件和金属轴, 切忌过量, 否则可能导致可动零件被粘住。
- \* 注意某些零件表面需在装配时同步贴上水贴纸。
- \* 制作时应远离幼儿并将包装袋及时收妥, 谨防小孩玩耍而引起意外。



cyanoacrylate glue  
强力胶



weight  
配重



make hole  
钻孔



cut / remove  
切除



option  
选择



no cement  
不涂胶水



decal  
贴纸



bend  
弯曲



repair  
填补

## The method to apply the decals

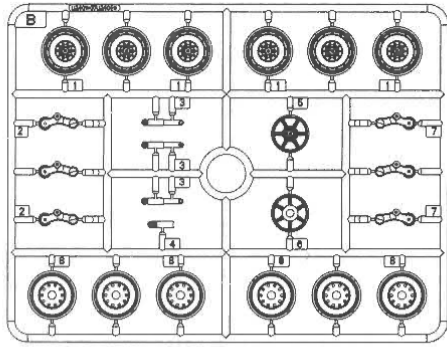
1. Cut off the decal from the decal paper and put it into the warm water 40°C for 10 seconds.
2. Take the decal from the water and put it on a piece of clean cloth.
3. Remove the decal slowly from the paper to the targeted location by a wet finger.
4. Use a piece of dry and soft cloth to press it gently on the decal until it getting dry and no bubble existing.

## 水贴纸的使用方法:

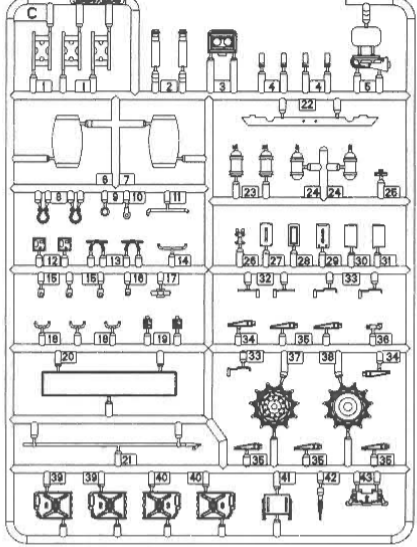
- 一. 把相关的印花从水贴纸上剪下, 放入40°C左右的温水中浸10秒。
- 二. 然后将印花放在干净的布上。
- 三. 拿上印花纸板, 手指蘸水将印花移到适当的位置。
- 四. 用软干布轻压印花直至水干, 气泡消失。

# 部品图 Parts

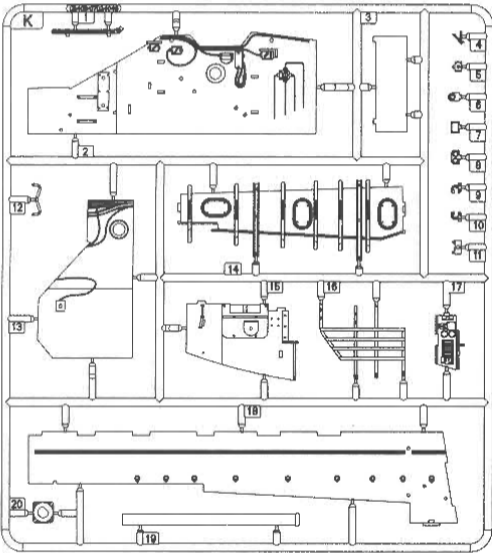
Bx2



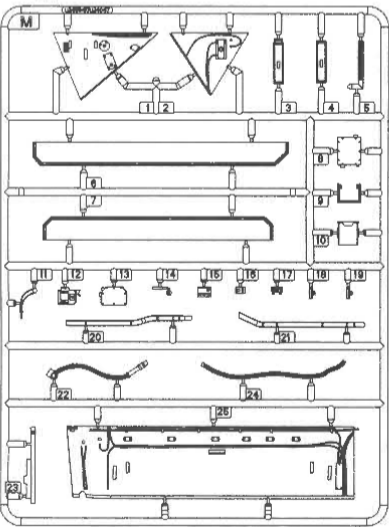
Cx2



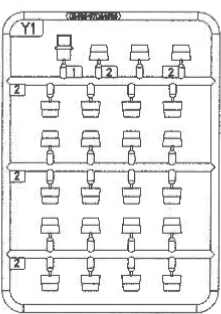
K



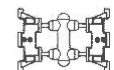
M



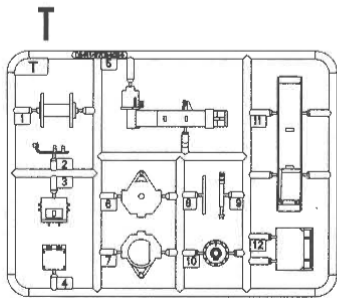
Y



履带 Track x90



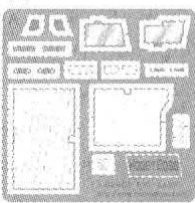
贴纸 Decal



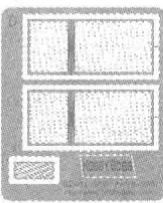
AAVR-7A1 Assault Amphibian Vehicle Recovery  
1/35 Scale HobbyBoss NO. 82411

蚀刻片 Photo etched part(PE)

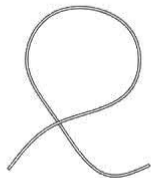
A



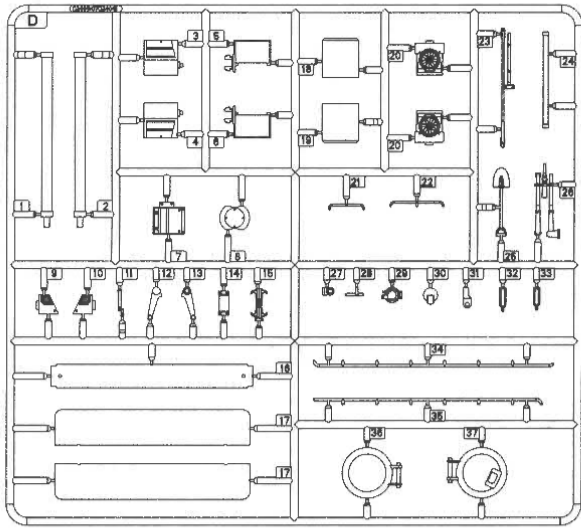
D



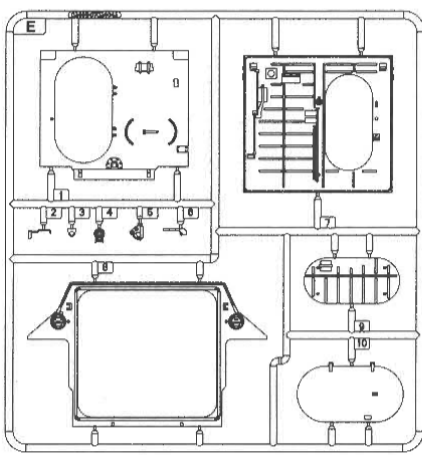
棉绳  $\varnothing 0.8 \times 2500\text{mm}$   
Rope



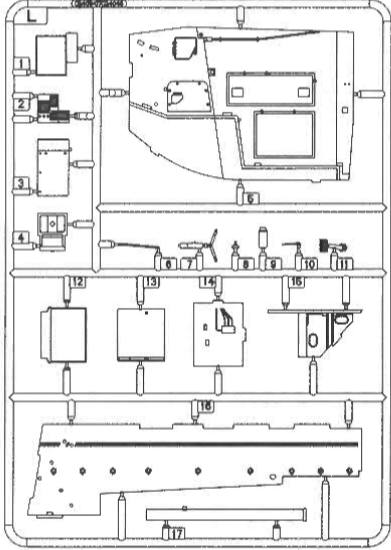
D



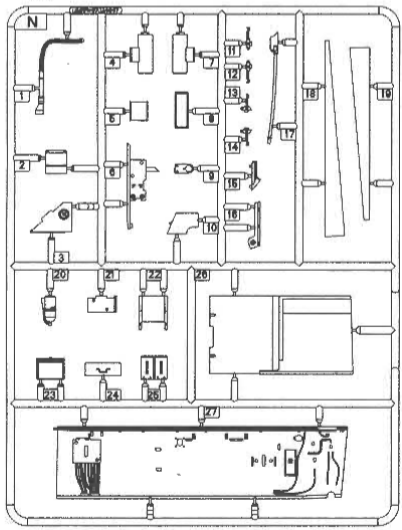
E



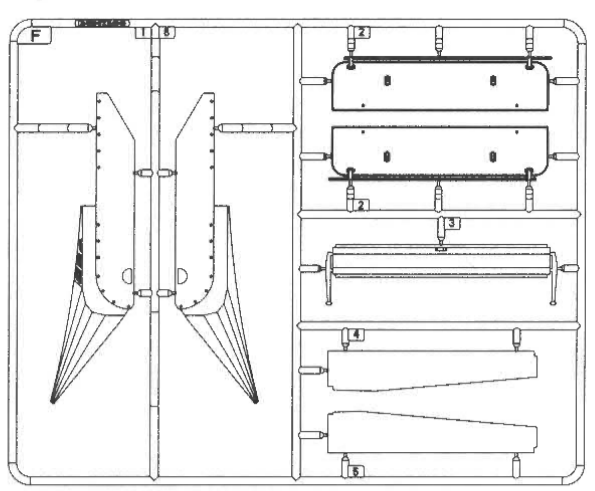
L



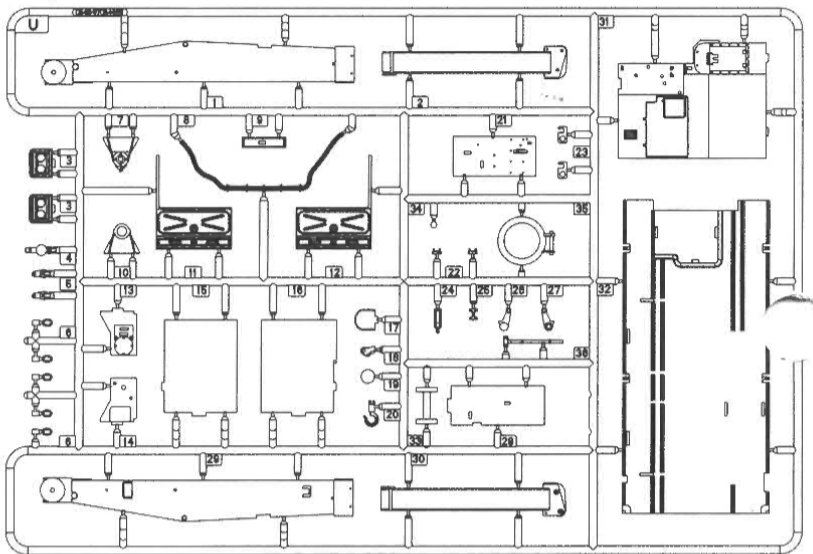
N



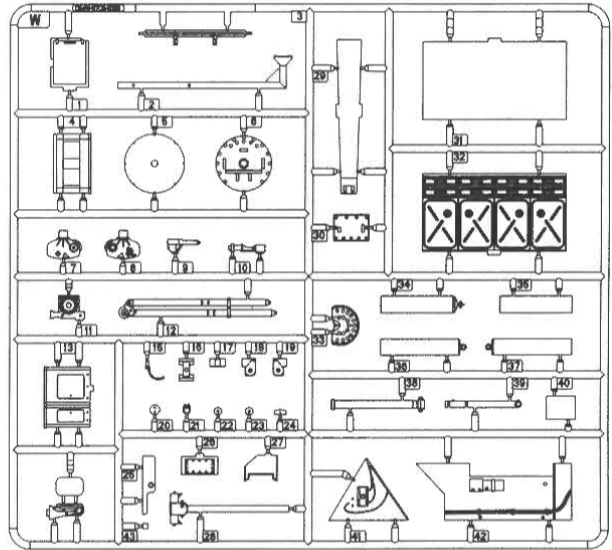
F



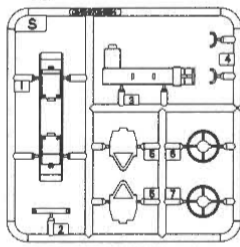
U



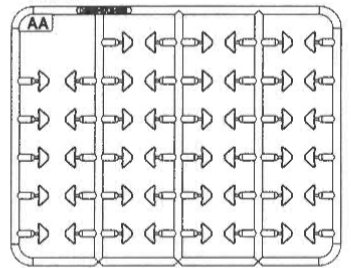
W



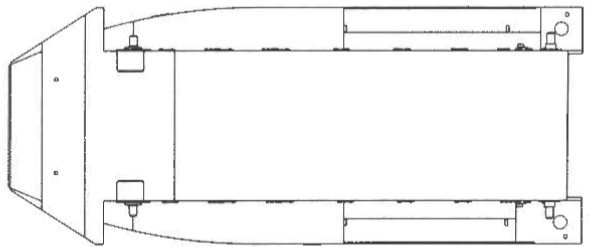
S



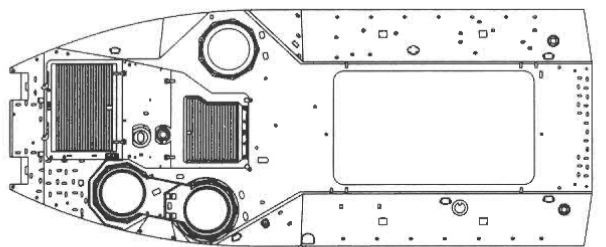
AAx4



车底 Lower hull

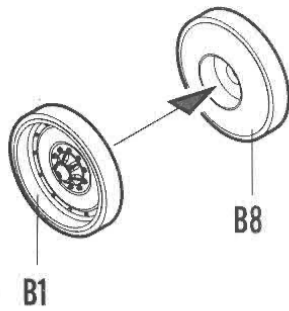


车面 Upper hull



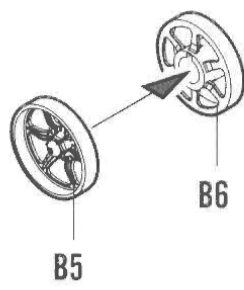
**1**  
STEP

负重轮  
Road wheel



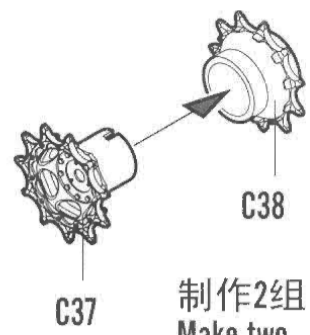
制作12组  
Make twelve

诱导轮  
Idler wheel

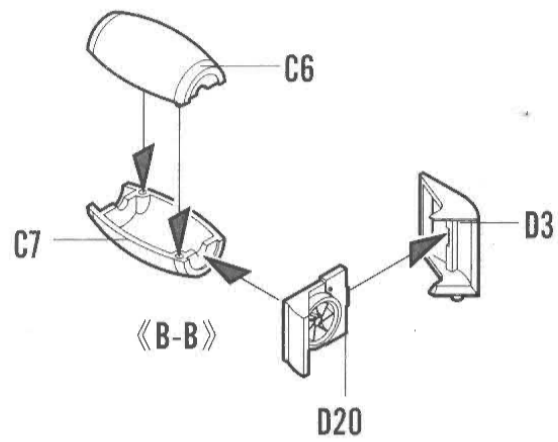
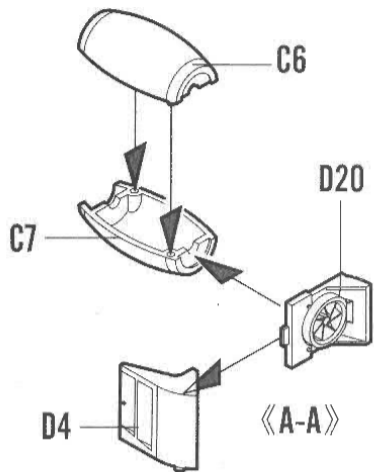


制作2组  
Make two

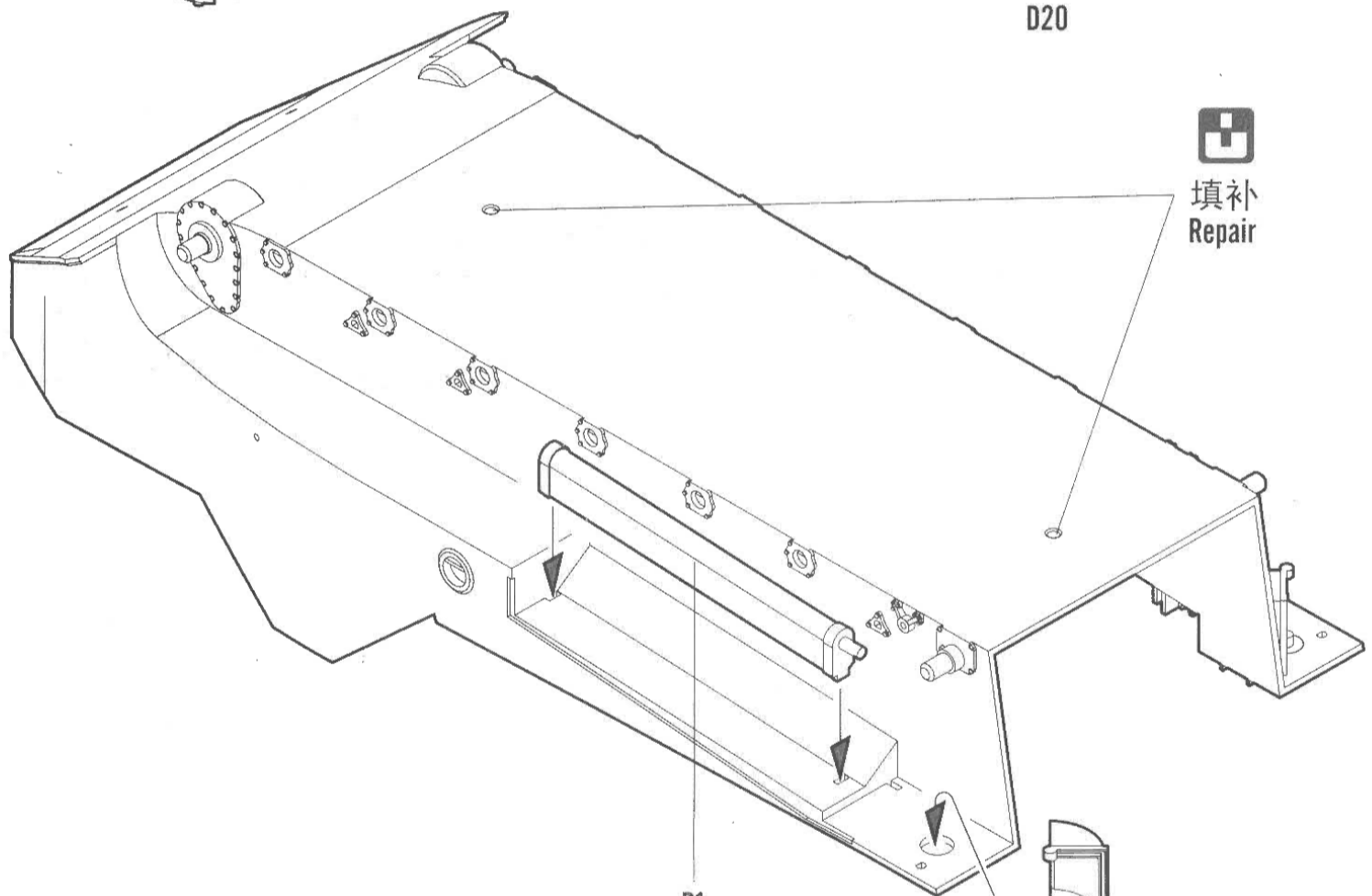
主动轮  
Drive wheel



制作2组  
Make two



**2**  
STEP



D1  
对侧D2  
Opposite

不涂胶水  
No cement

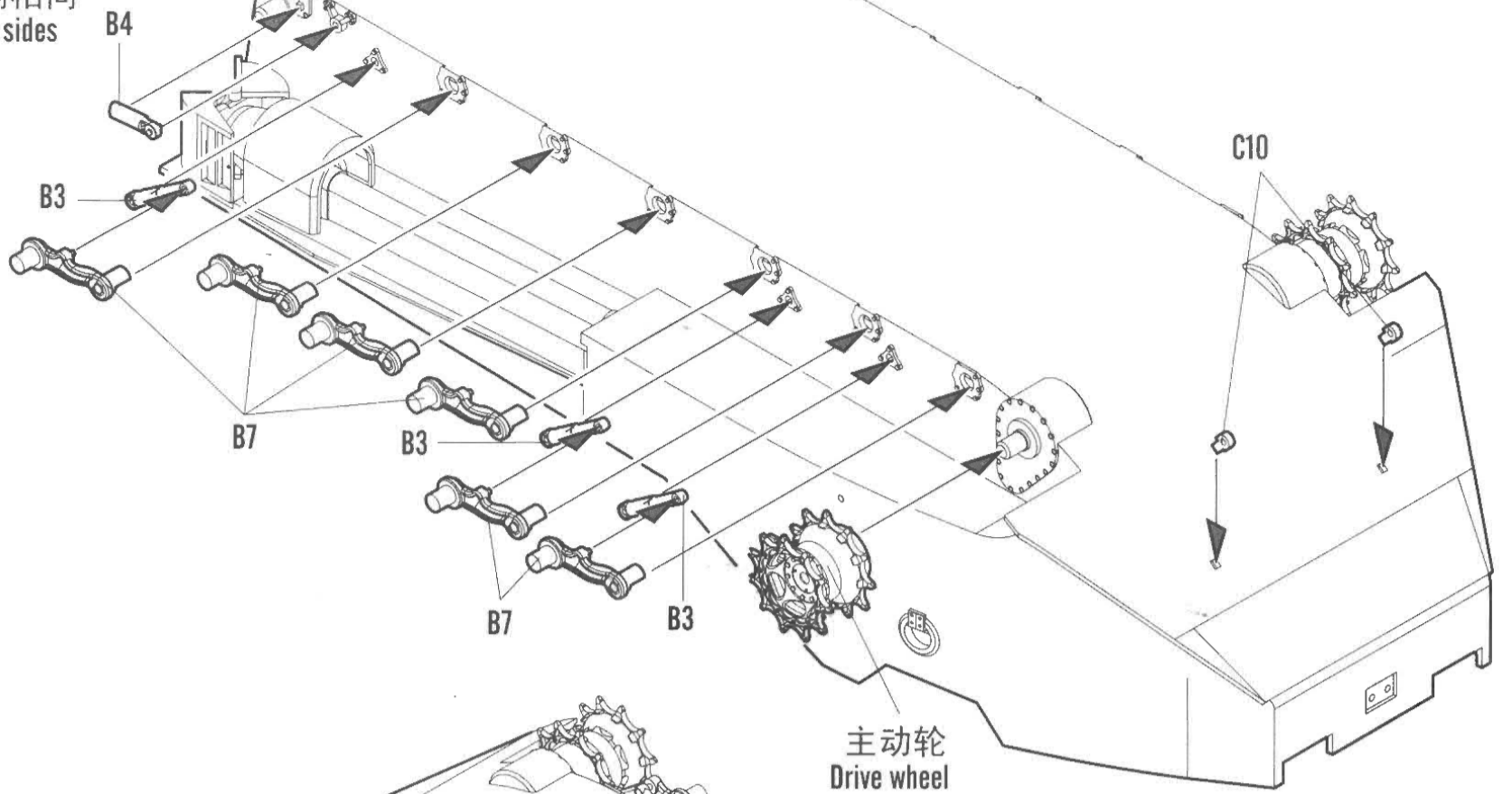
D6  
对侧D5  
Opposite

D18  
对侧 D19  
Opposite

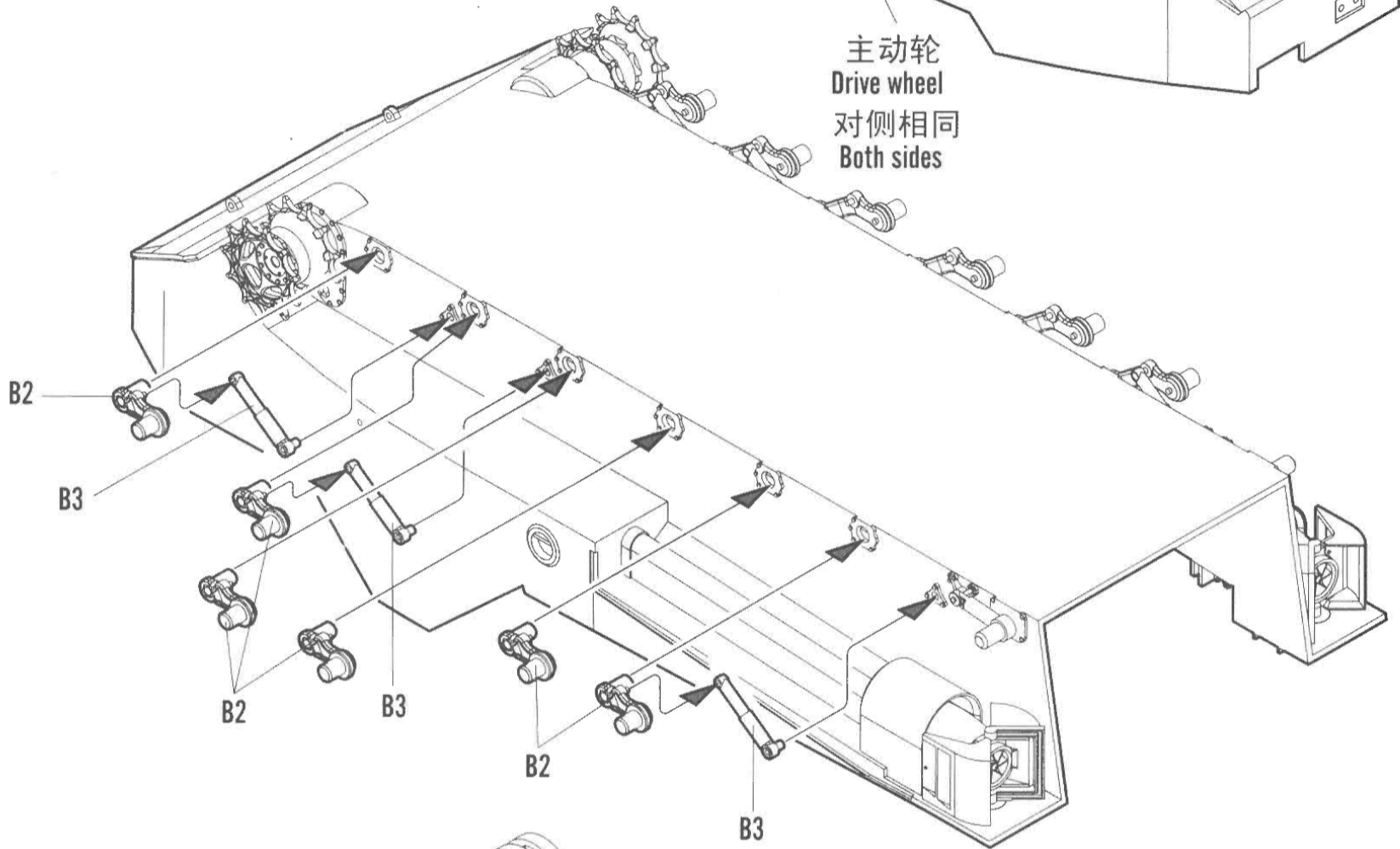
<math>\langle A-A \rangle</math> 对侧 <math>\langle B-B \rangle</math>  
Opposite



对侧相同  
Both sides



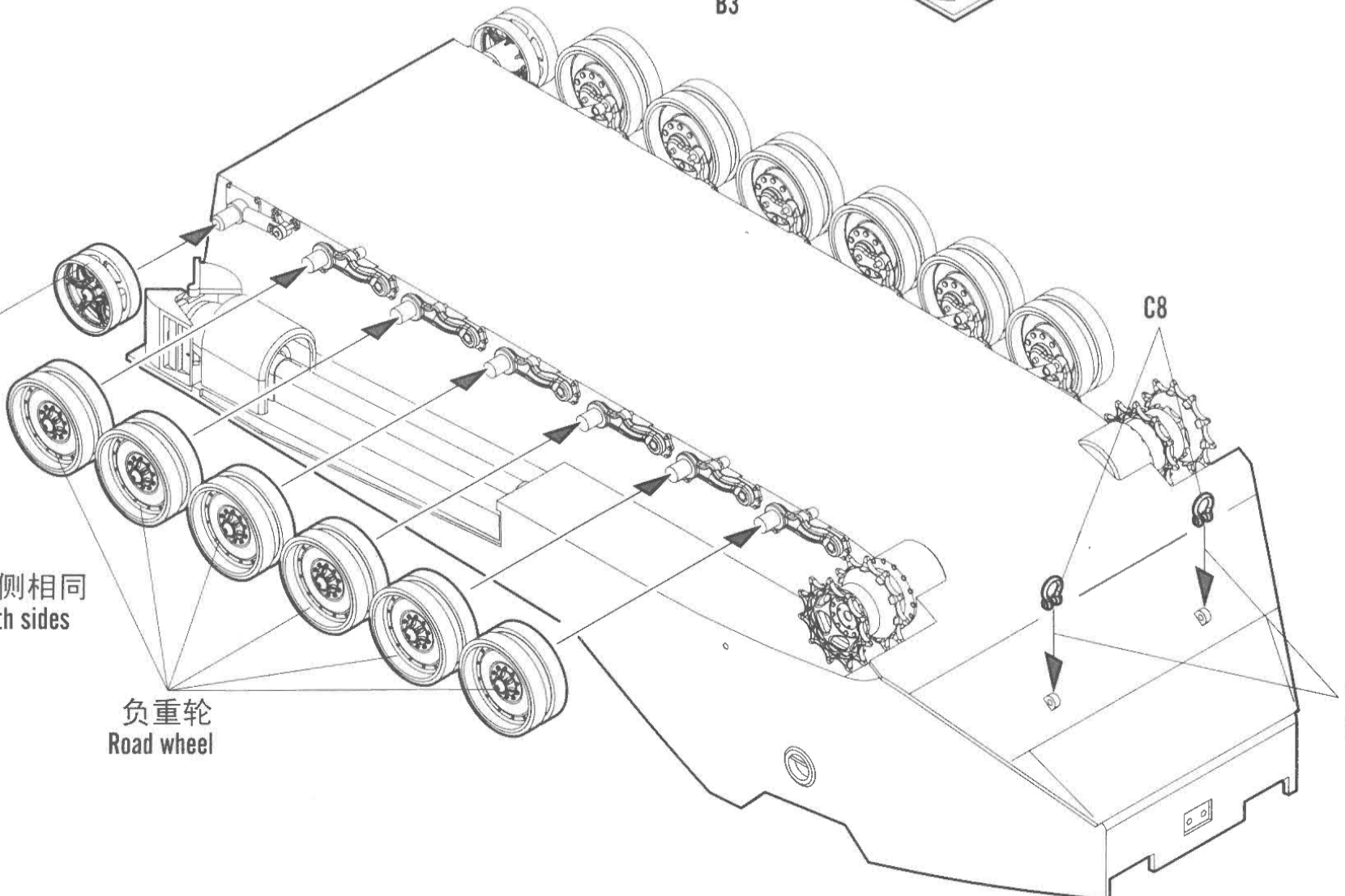
主动轮  
Drive wheel  
对侧相同  
Both sides



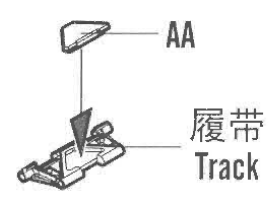
诱导轮  
Idler wheel

对侧相同  
Both sides

负重轮  
Road wheel

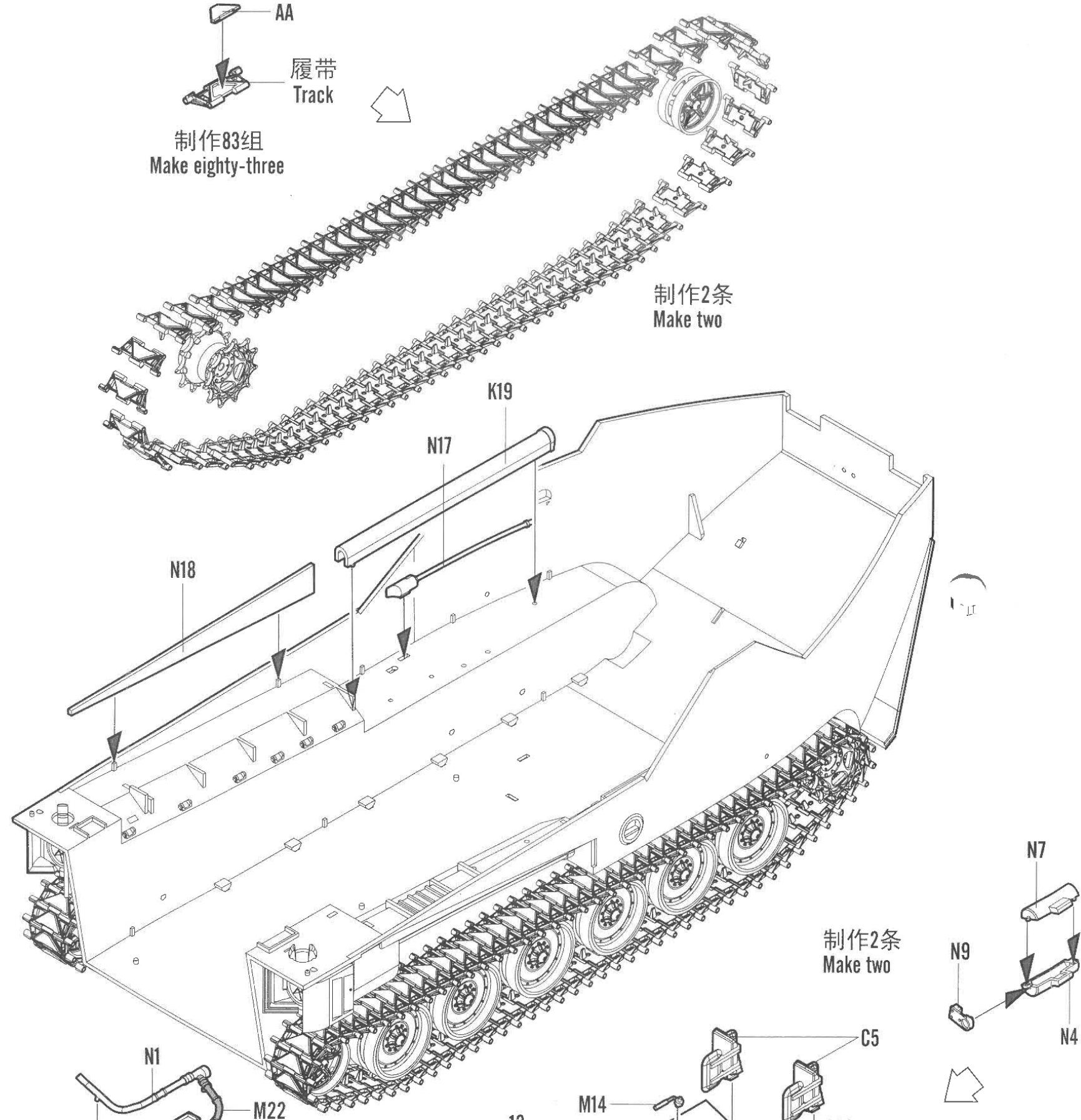


不涂胶水  
No cement

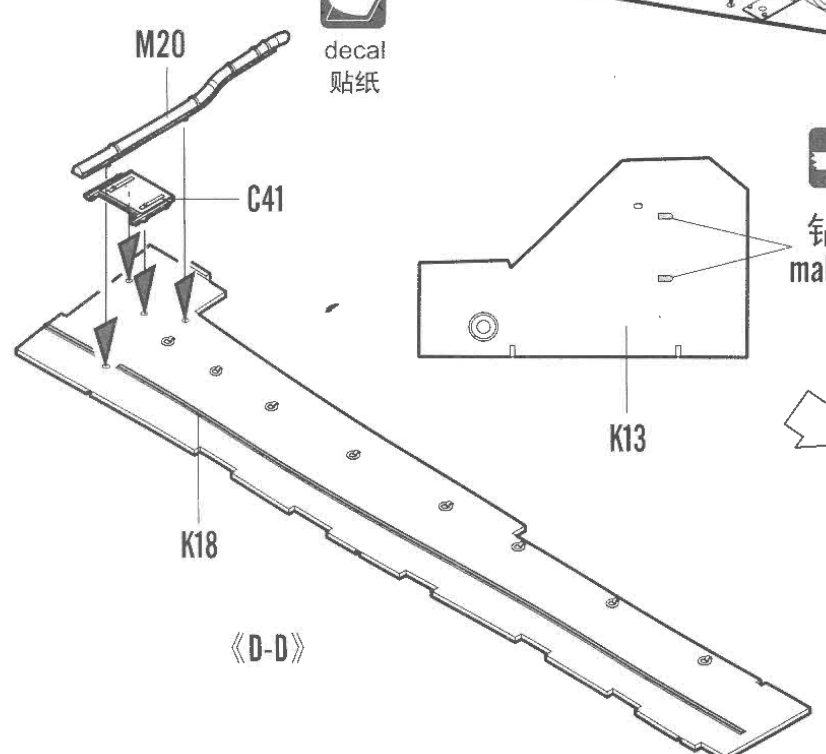
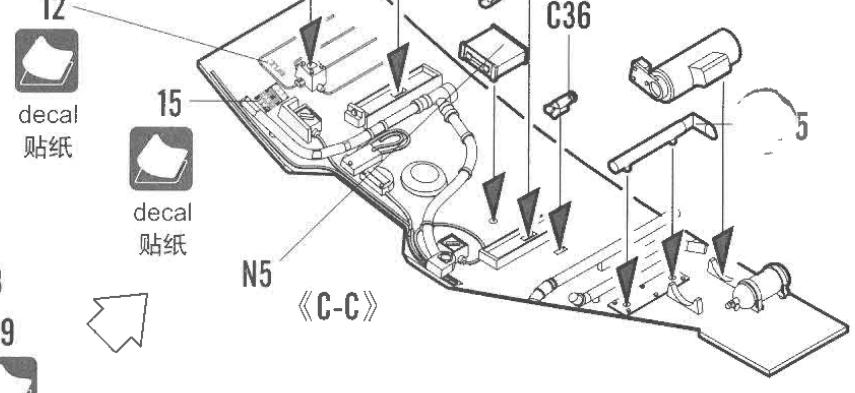
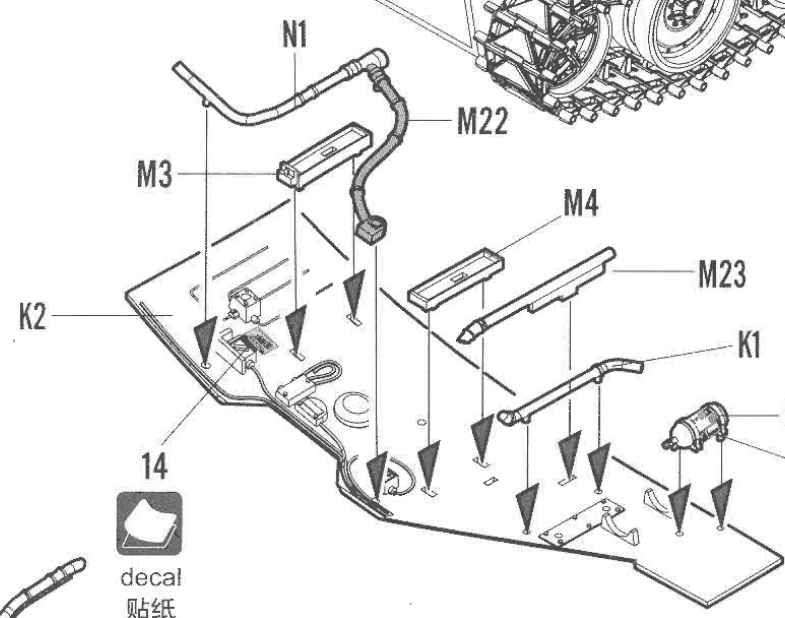
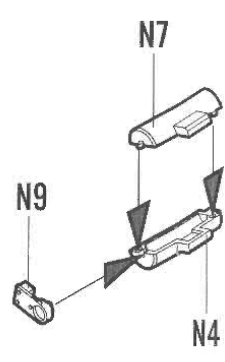


制作83组  
Make eighty-three

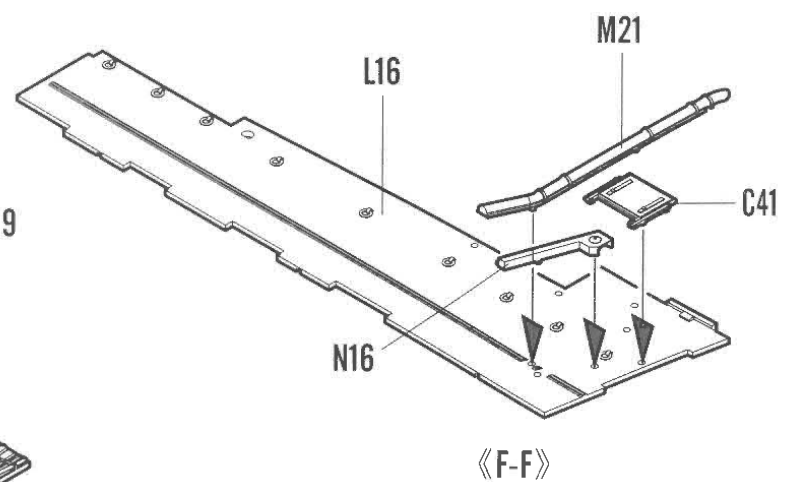
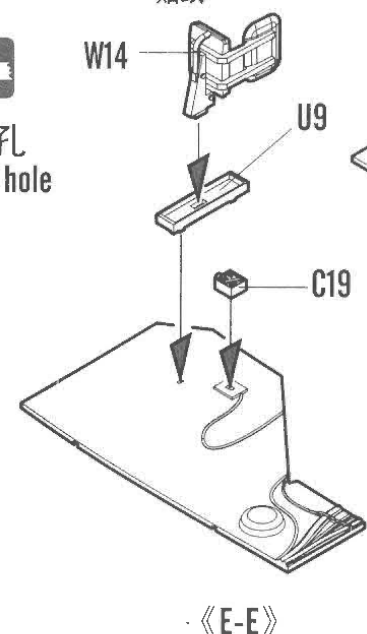
制作2条  
Make two



制作2条  
Make two



钻孔  
make hole

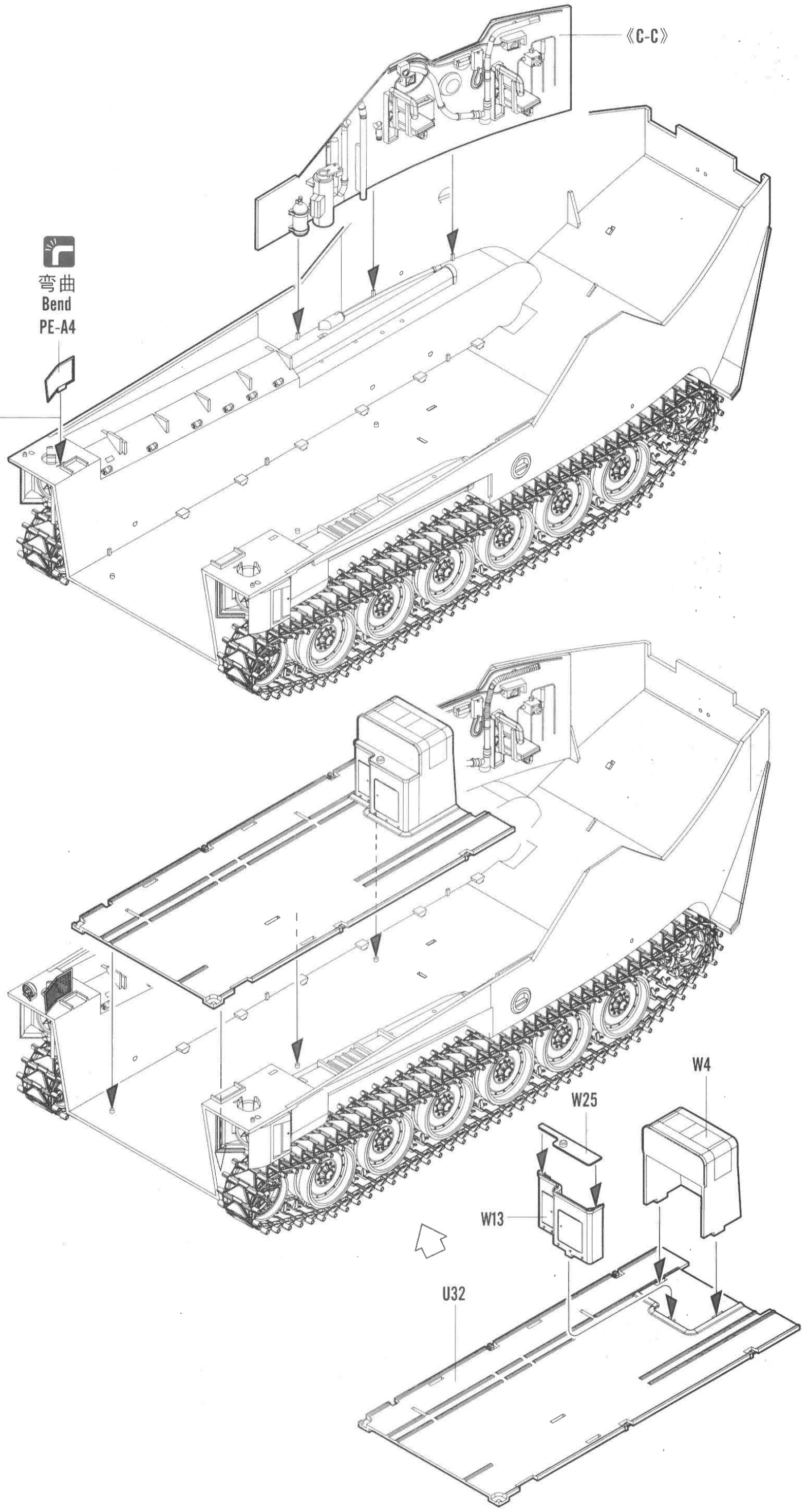


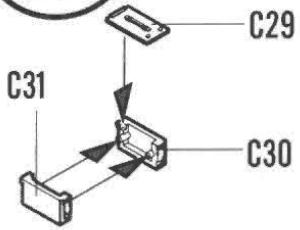


《C-C》

  
弯曲  
Bend  
PE-A4

  
使用强力胶  
Using CA super glue

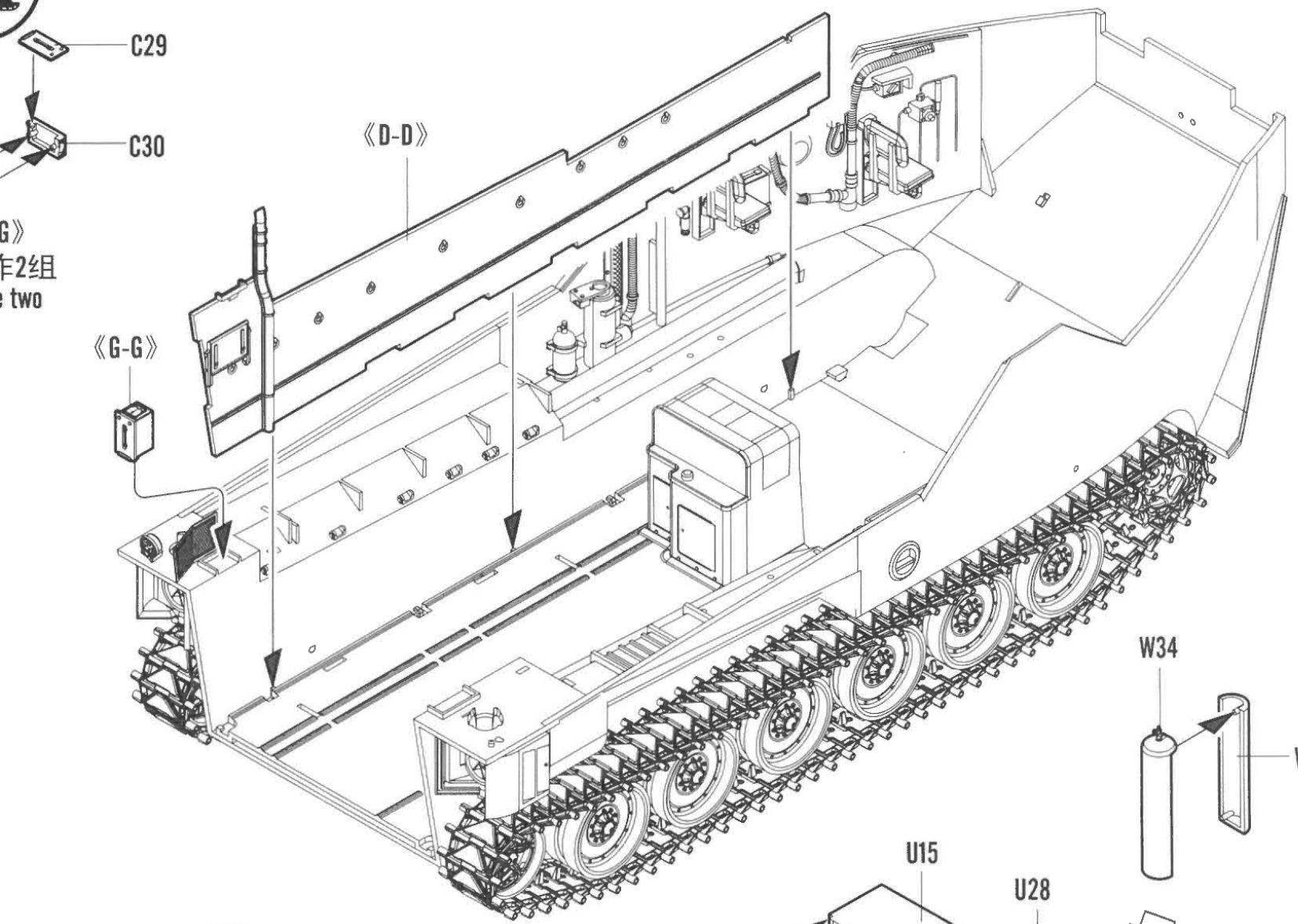




《G-G》  
制作2组  
Make two

《G-G》

《D-D》



W34

W35

U15

U28

U16

U11

W1

U12

PE-D2

使用强力胶  
Using CA super glue

W15

U17

使用强力胶  
Using CA super glue

PE-D1  
弯曲  
Bend

弯曲  
Bend

N23

L4

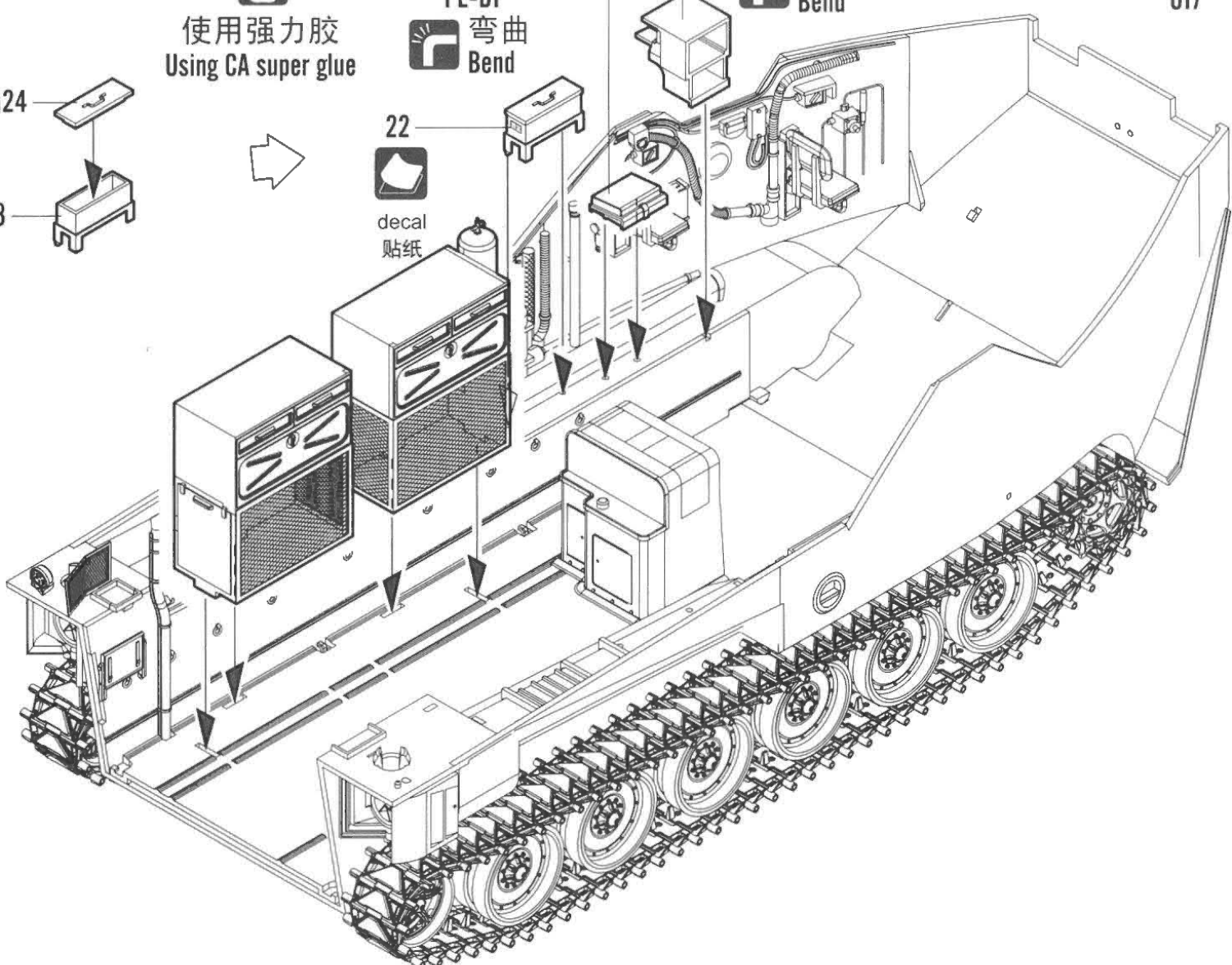
N24

22



decal  
贴纸

N8



**7**  
STEP

N26



decal  
贴纸

C24

N6

C24

19



decal  
贴纸

N21

L17

《F-F》



弯曲  
Bend

PE-A5

L12



使用强力胶  
Using CA super glue

L13

C39

C40

制作3组  
Make three

PE-A10



弯曲  
Bend

《E-E》

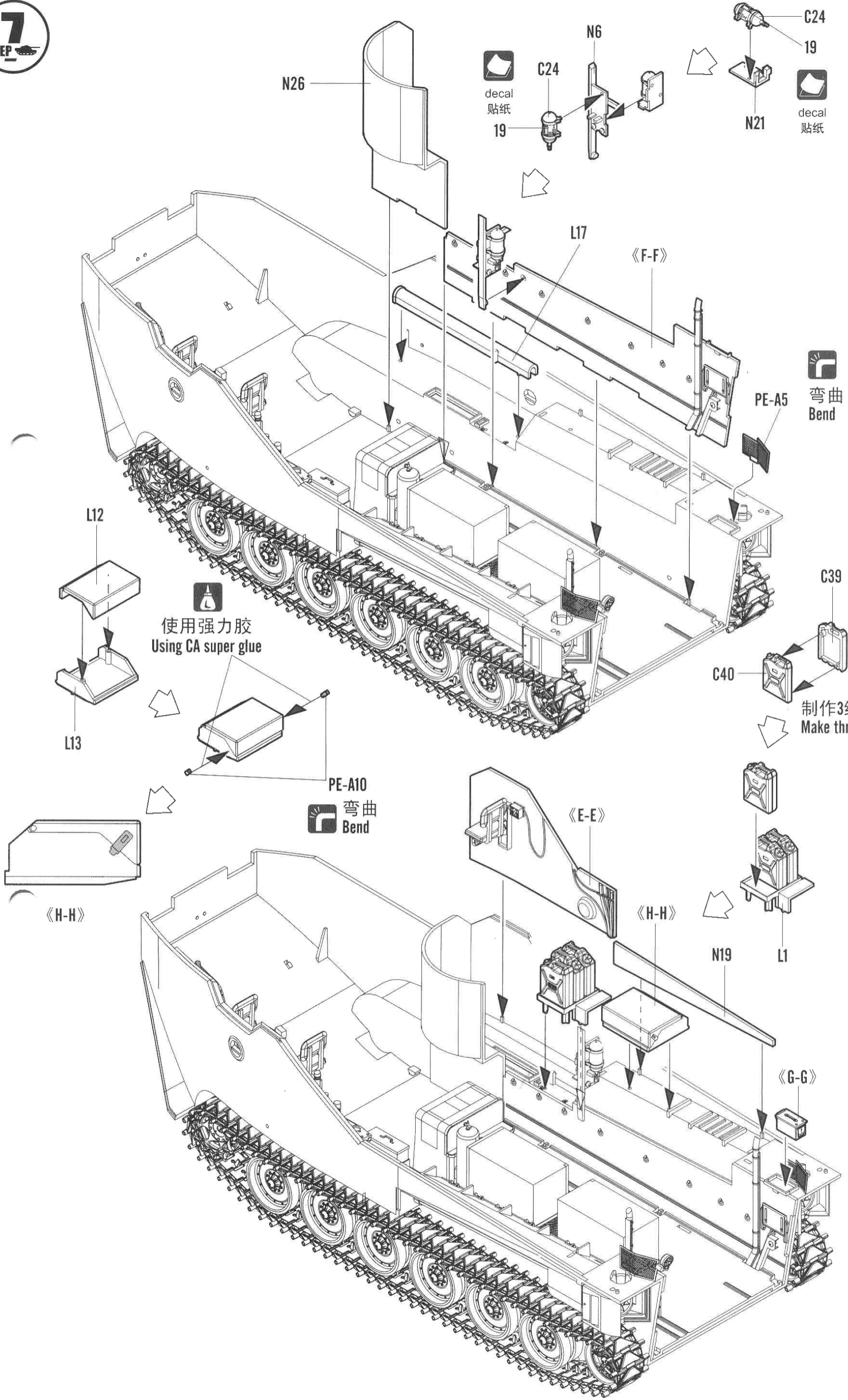
《H-H》

N19

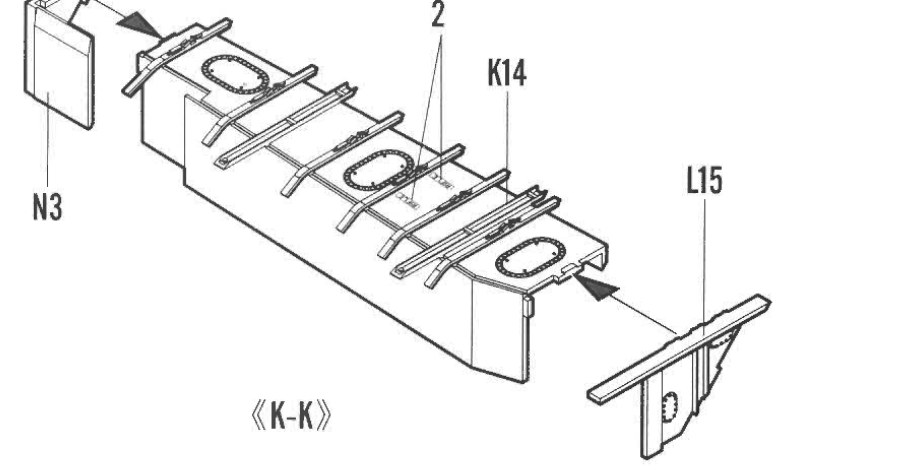
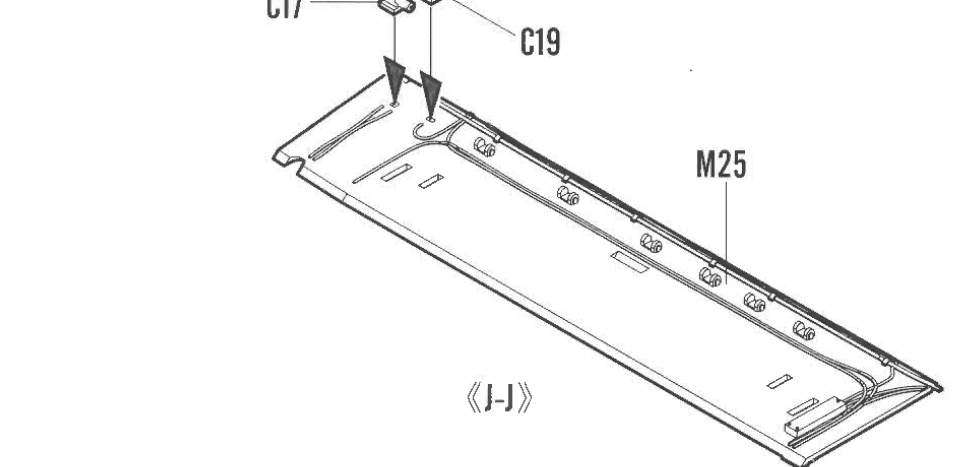
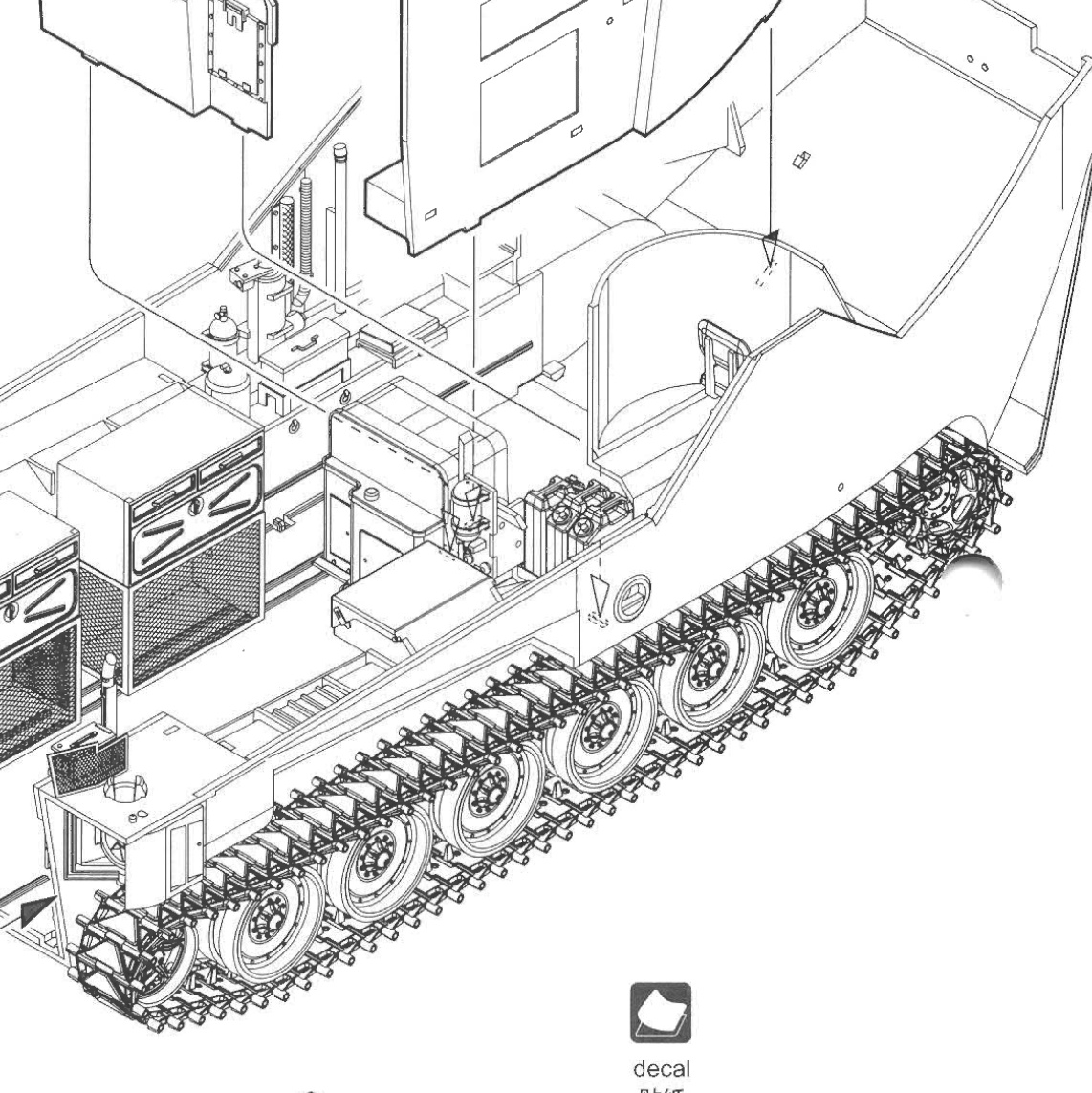
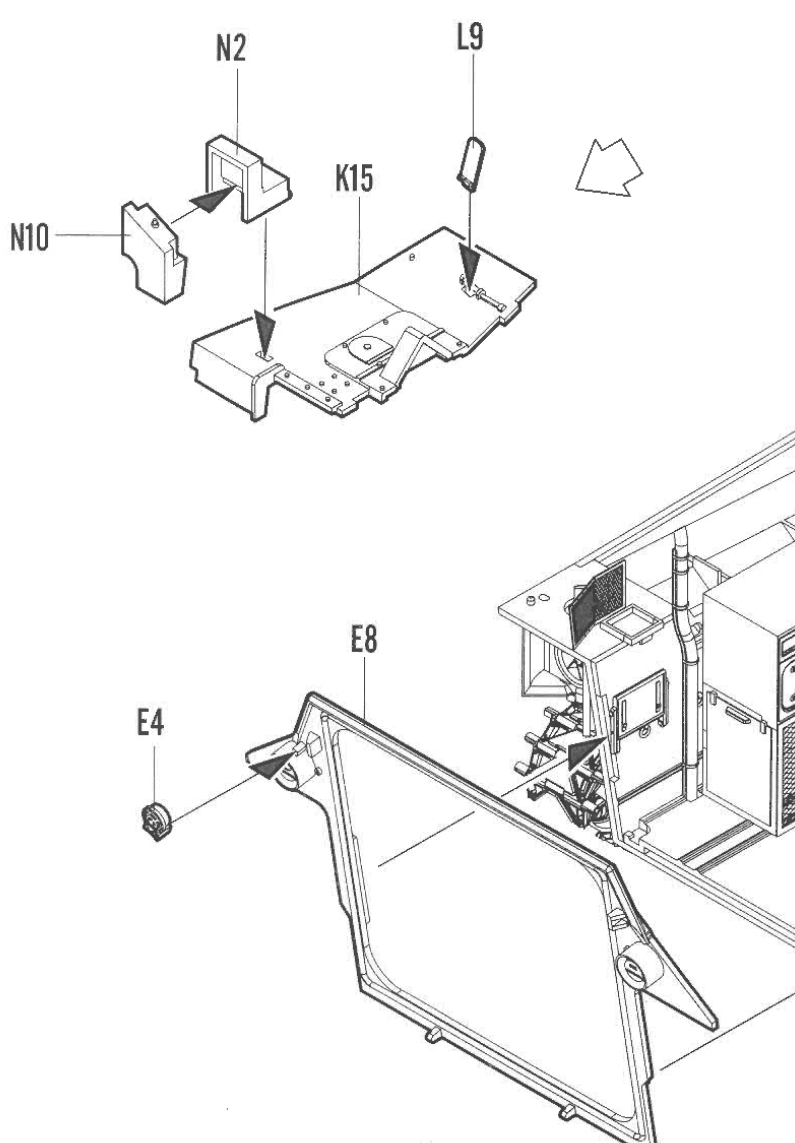
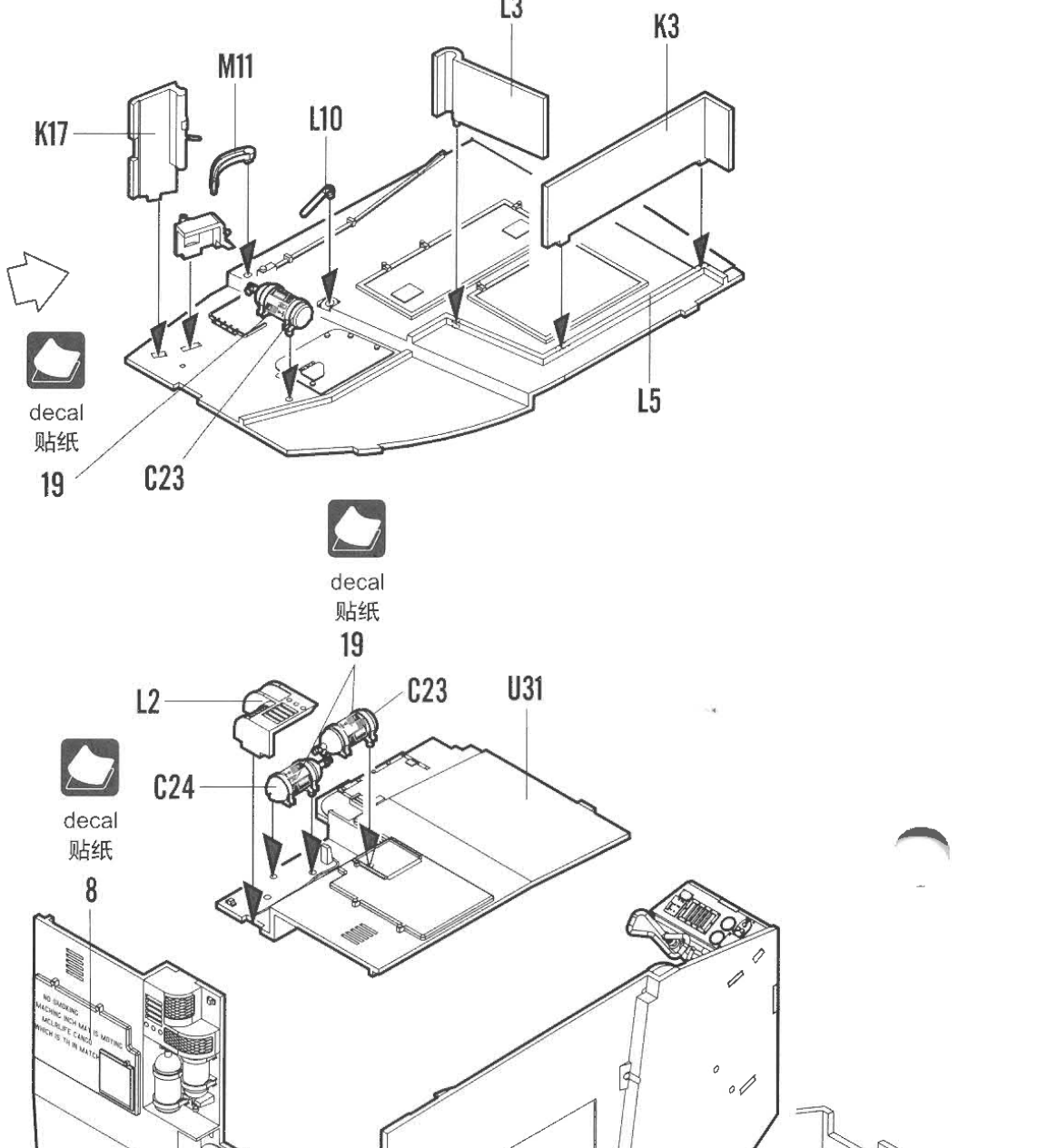
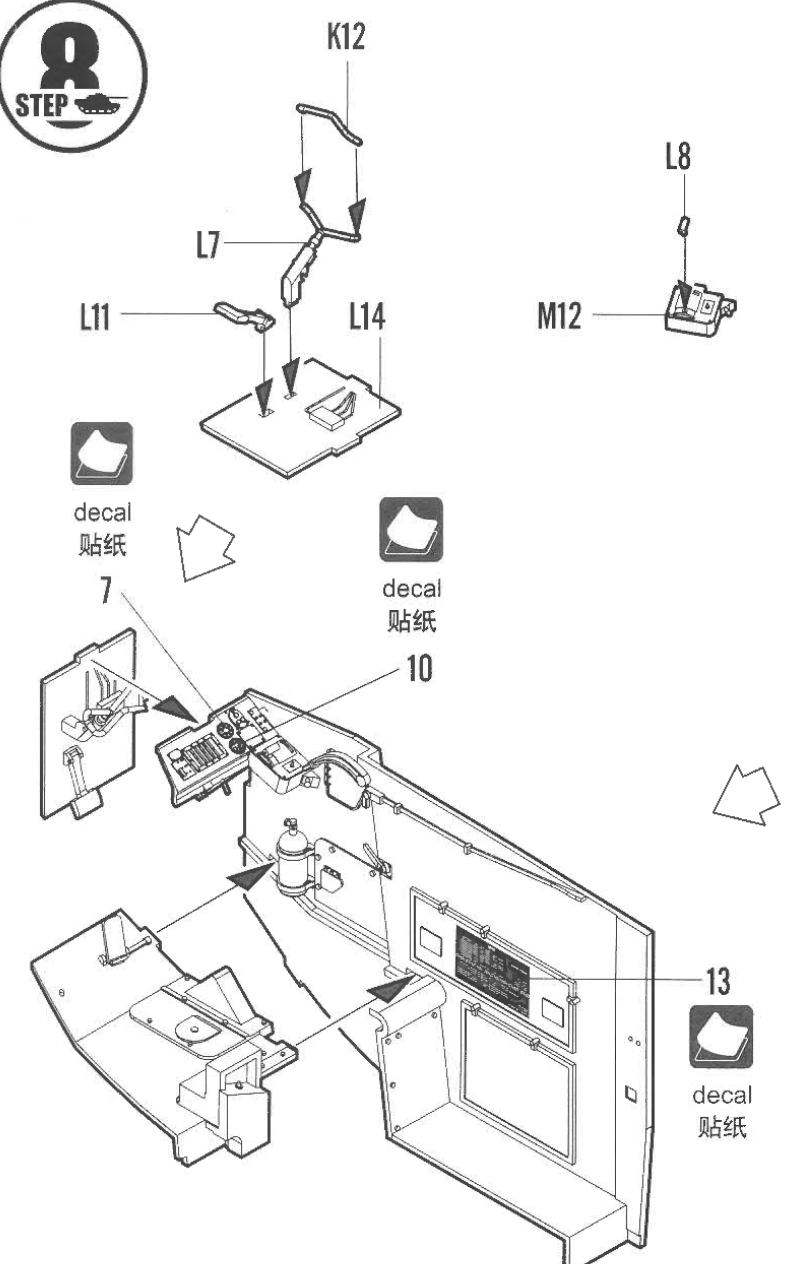
L1

《H-H》

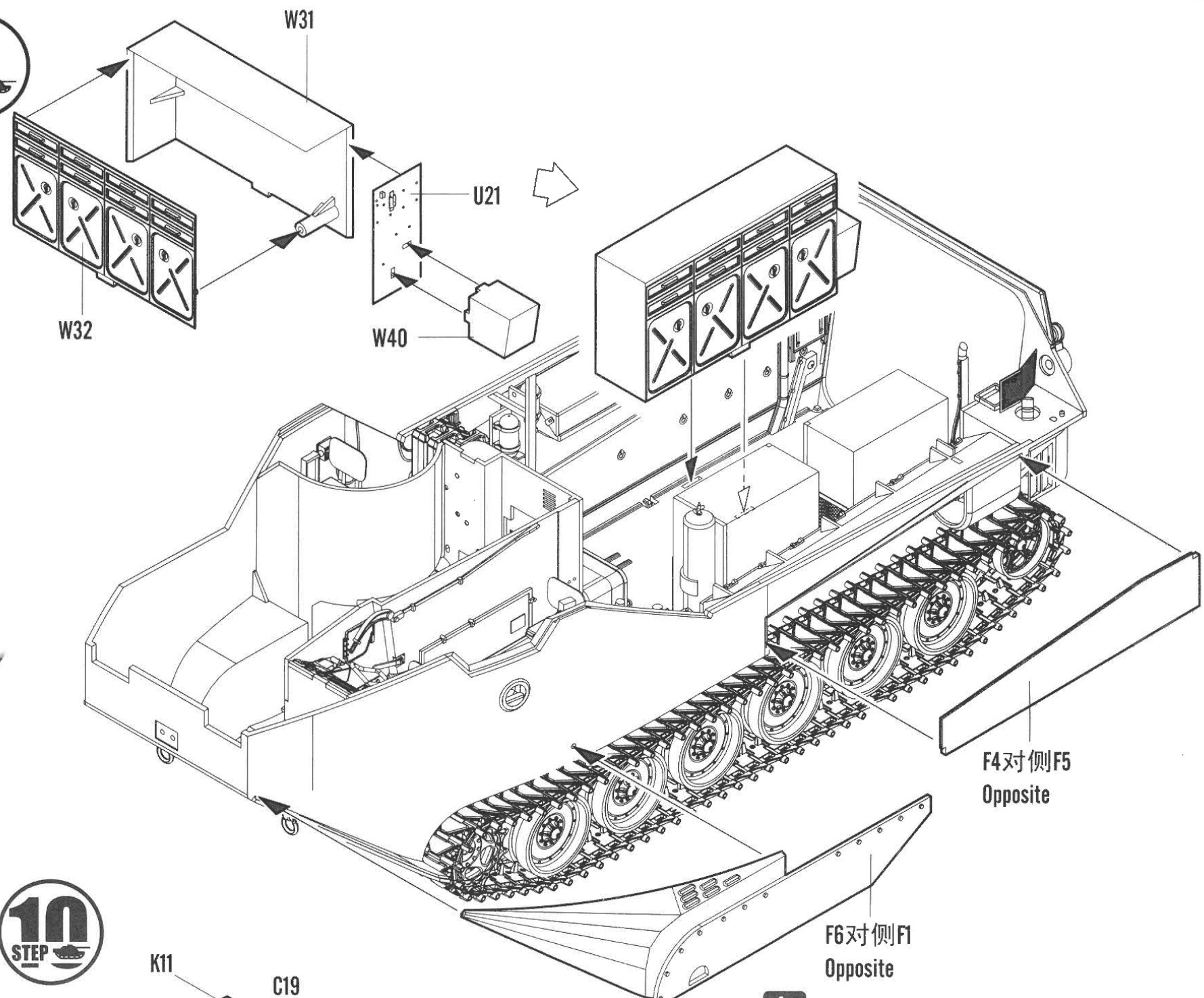
《G-G》



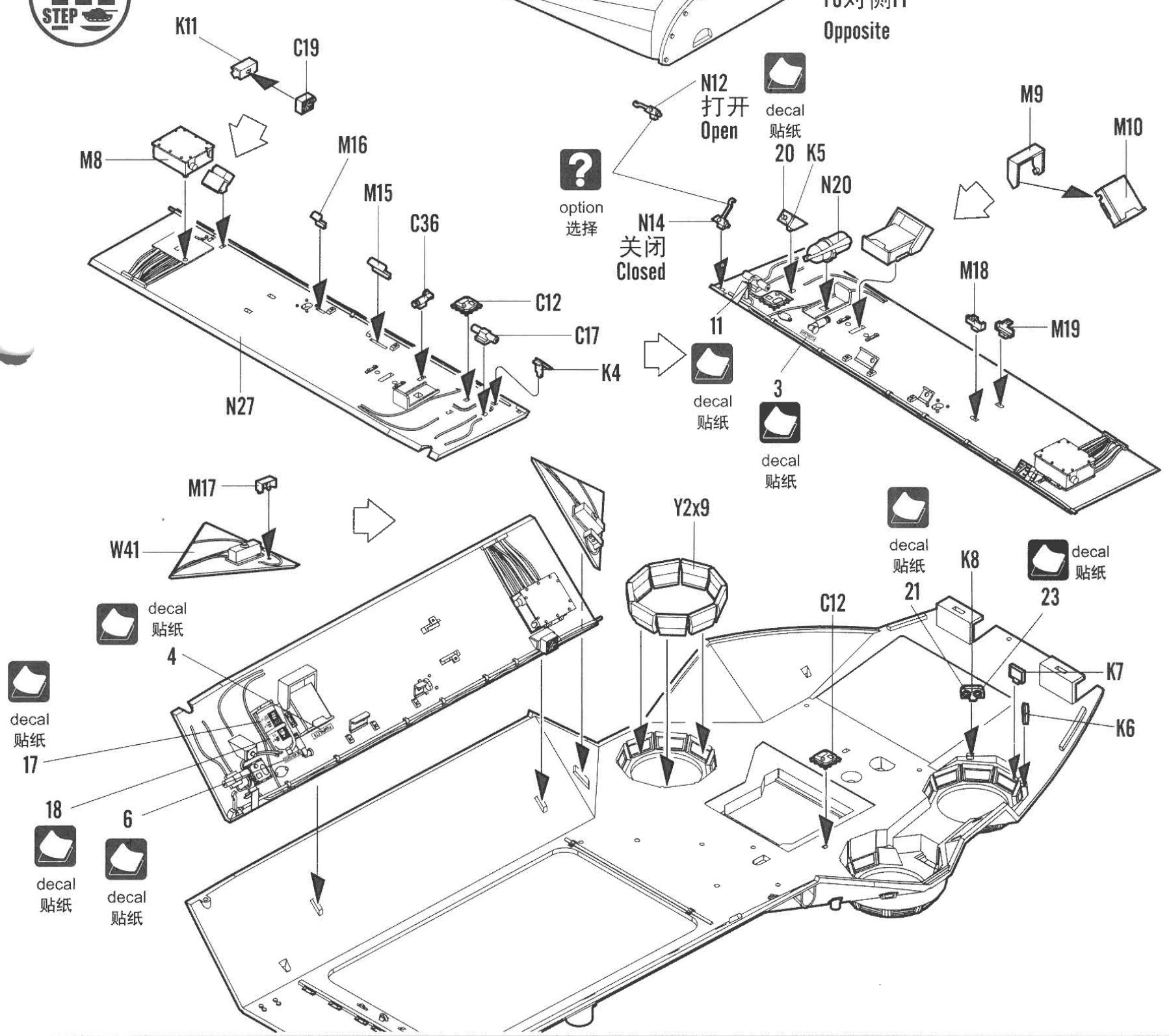




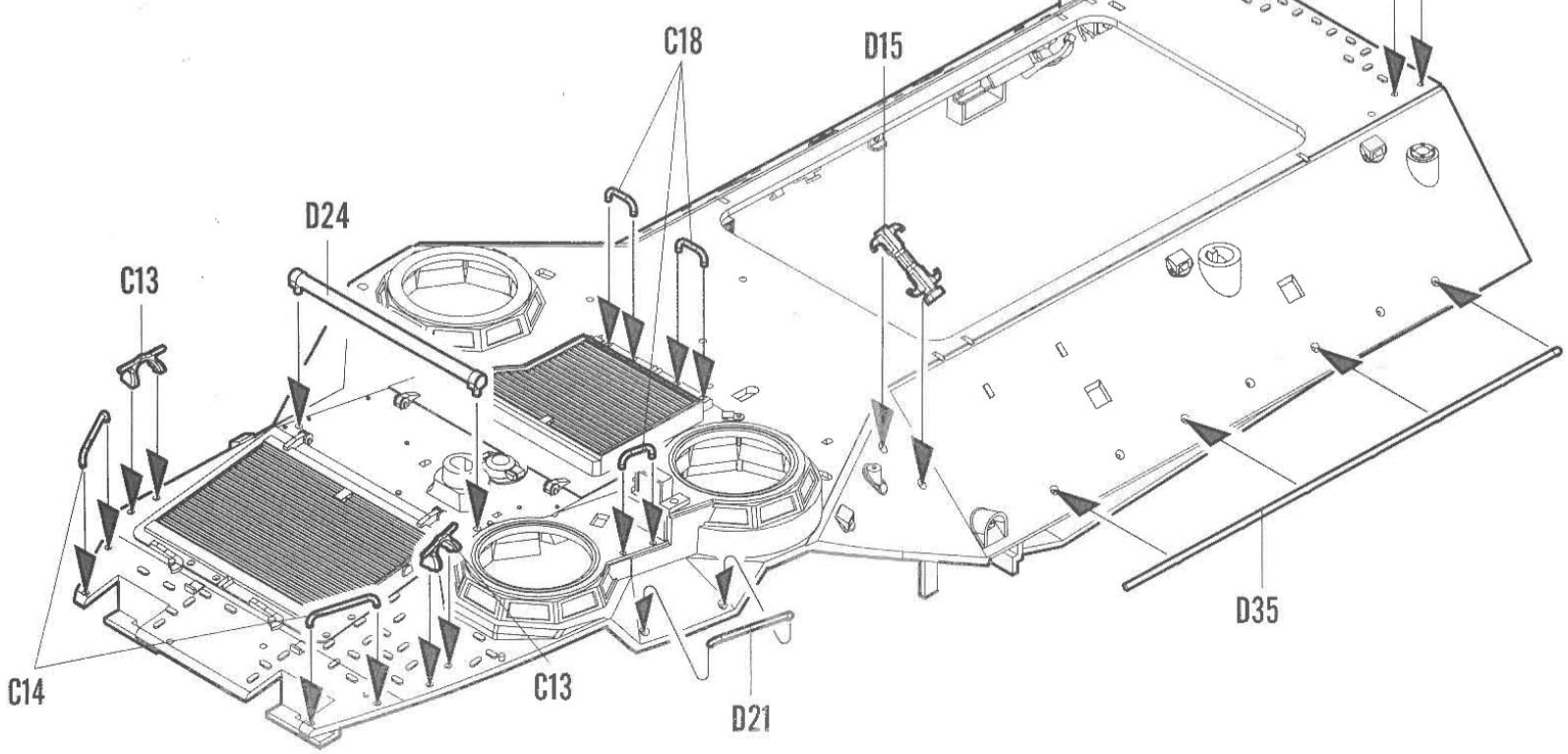
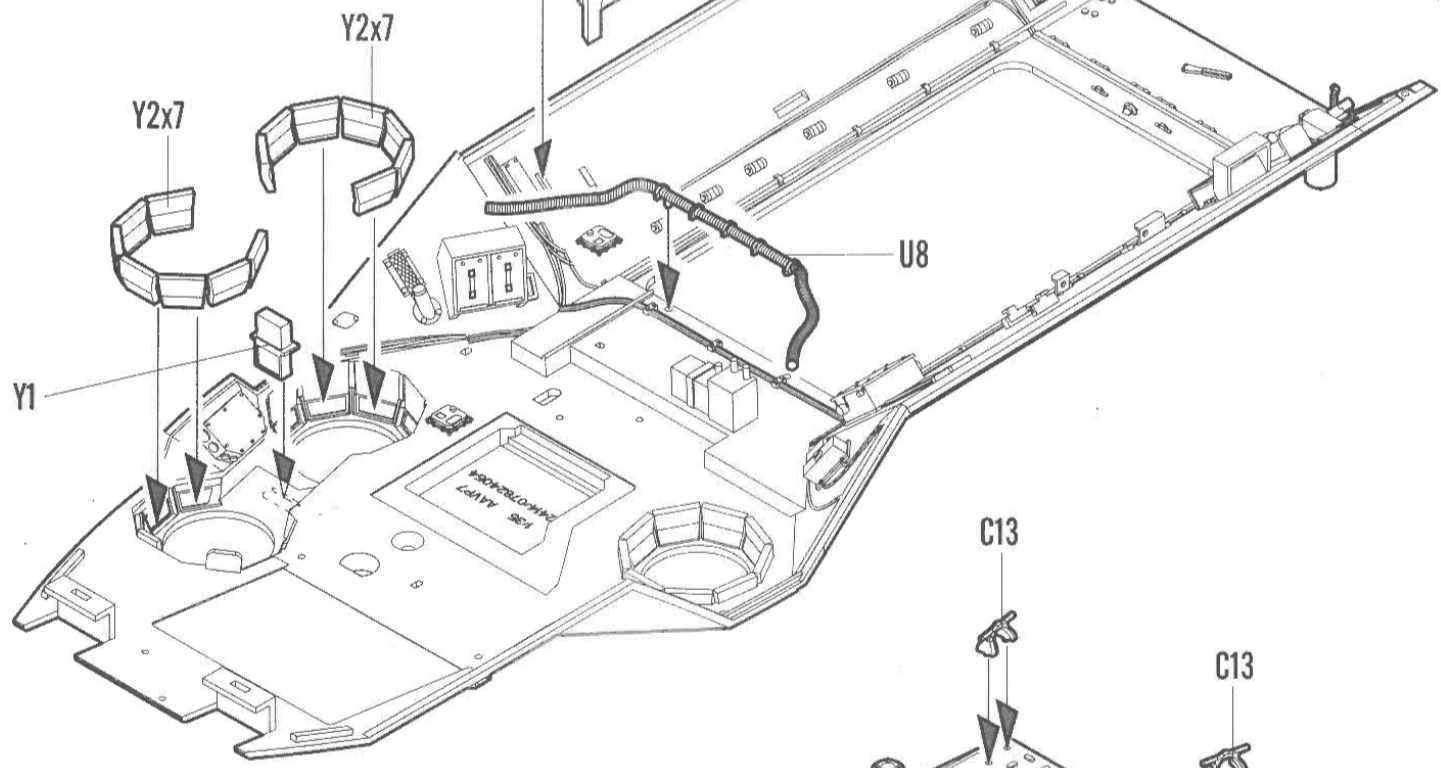
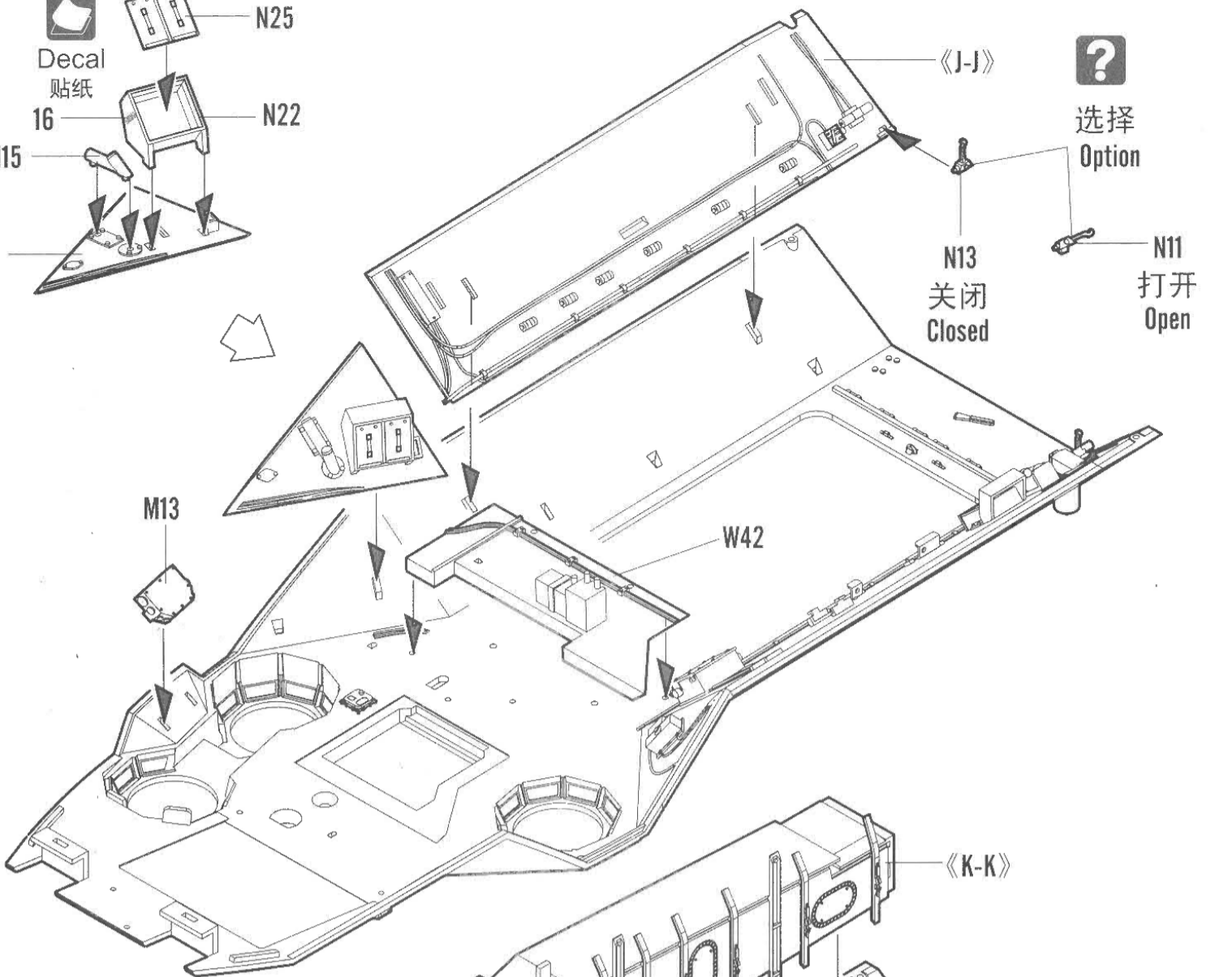
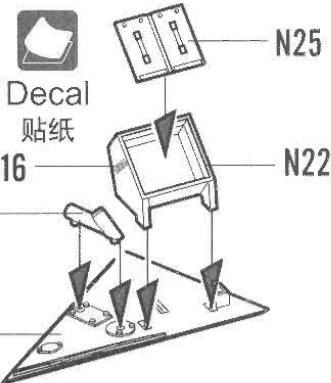
0 STEP



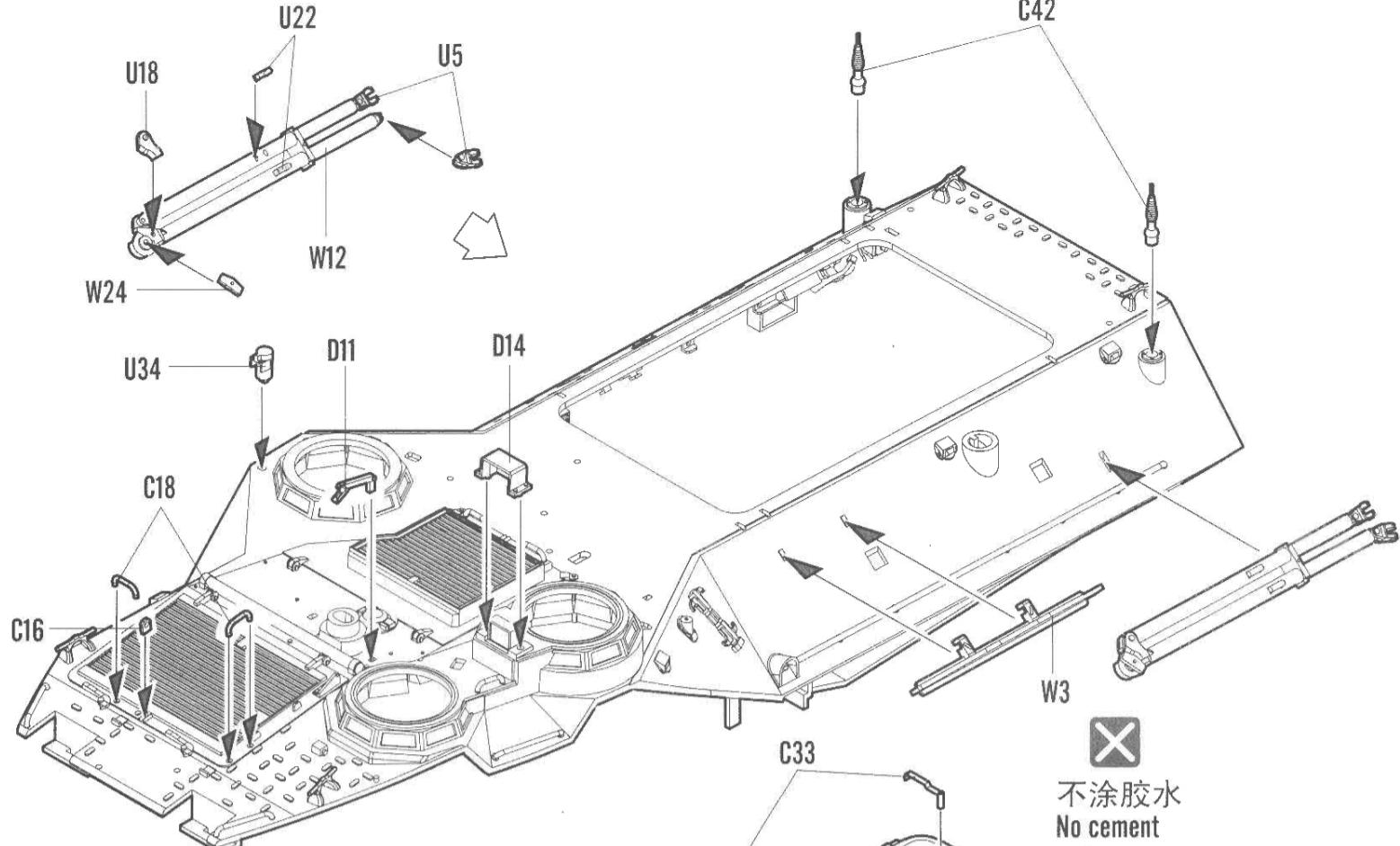
10 STEP



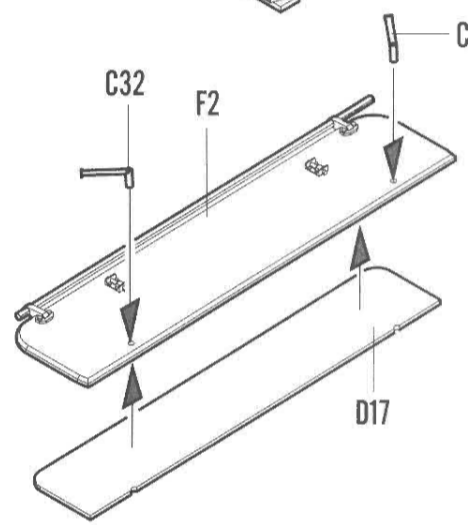
**11**  
STEP



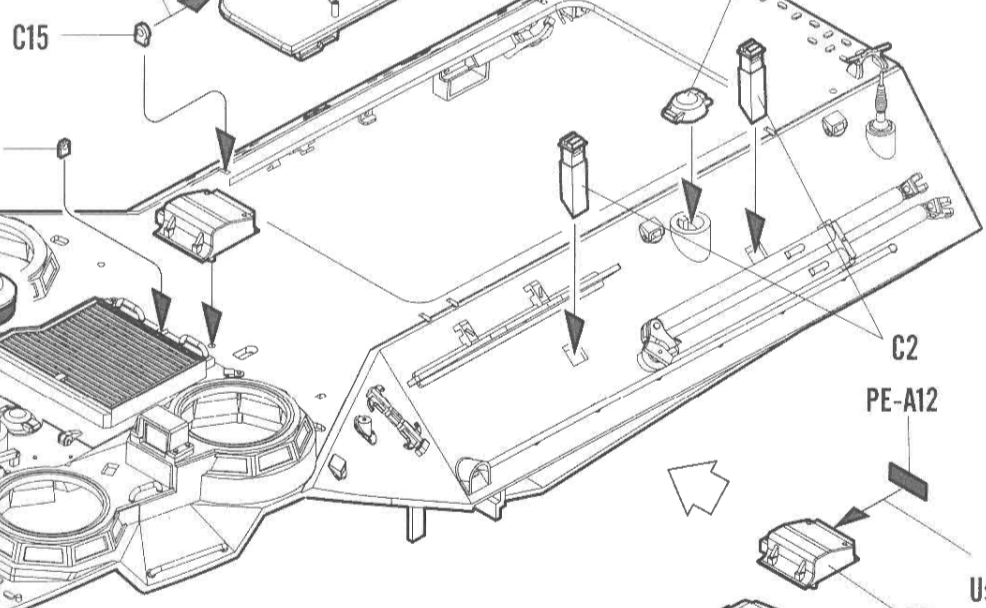
**12**  
STEP



不涂胶水  
No cement



不涂胶水  
No cement



弯曲  
Bend  
PE-A7

弯曲  
Bend  
PE-A8

使用强力胶  
Using CA super glue

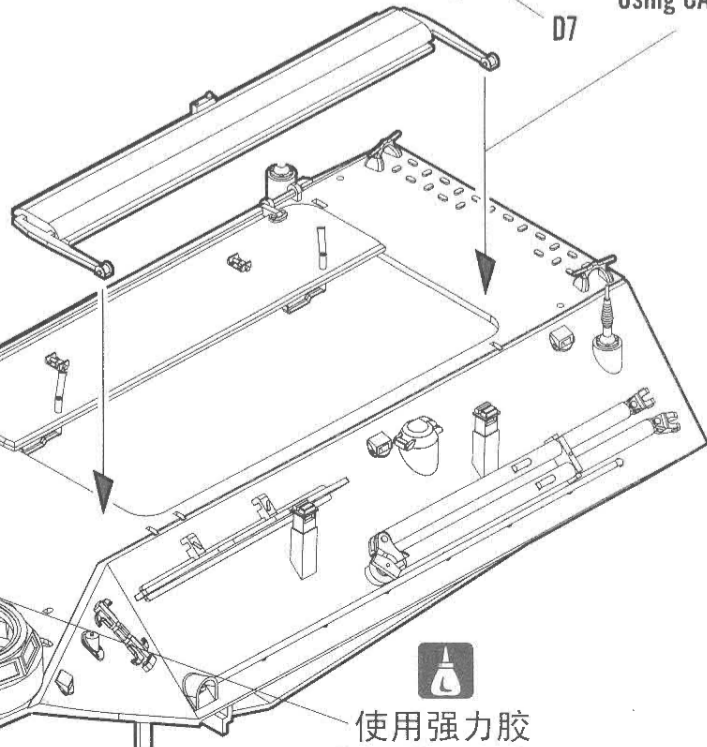
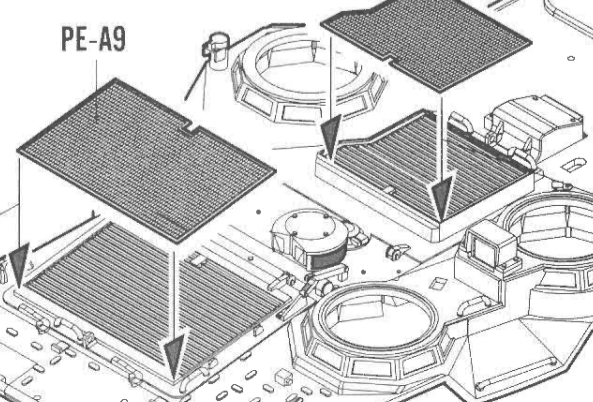
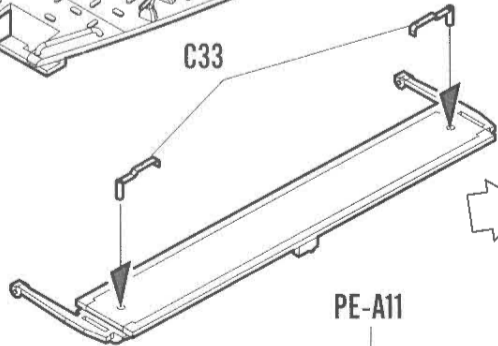
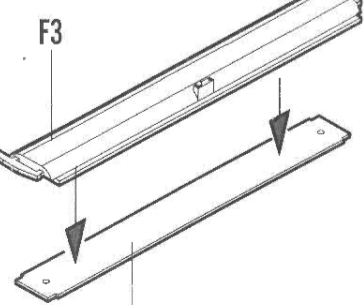
使用强力胶  
Using CA super glu

弯曲  
Bend  
PE-A6

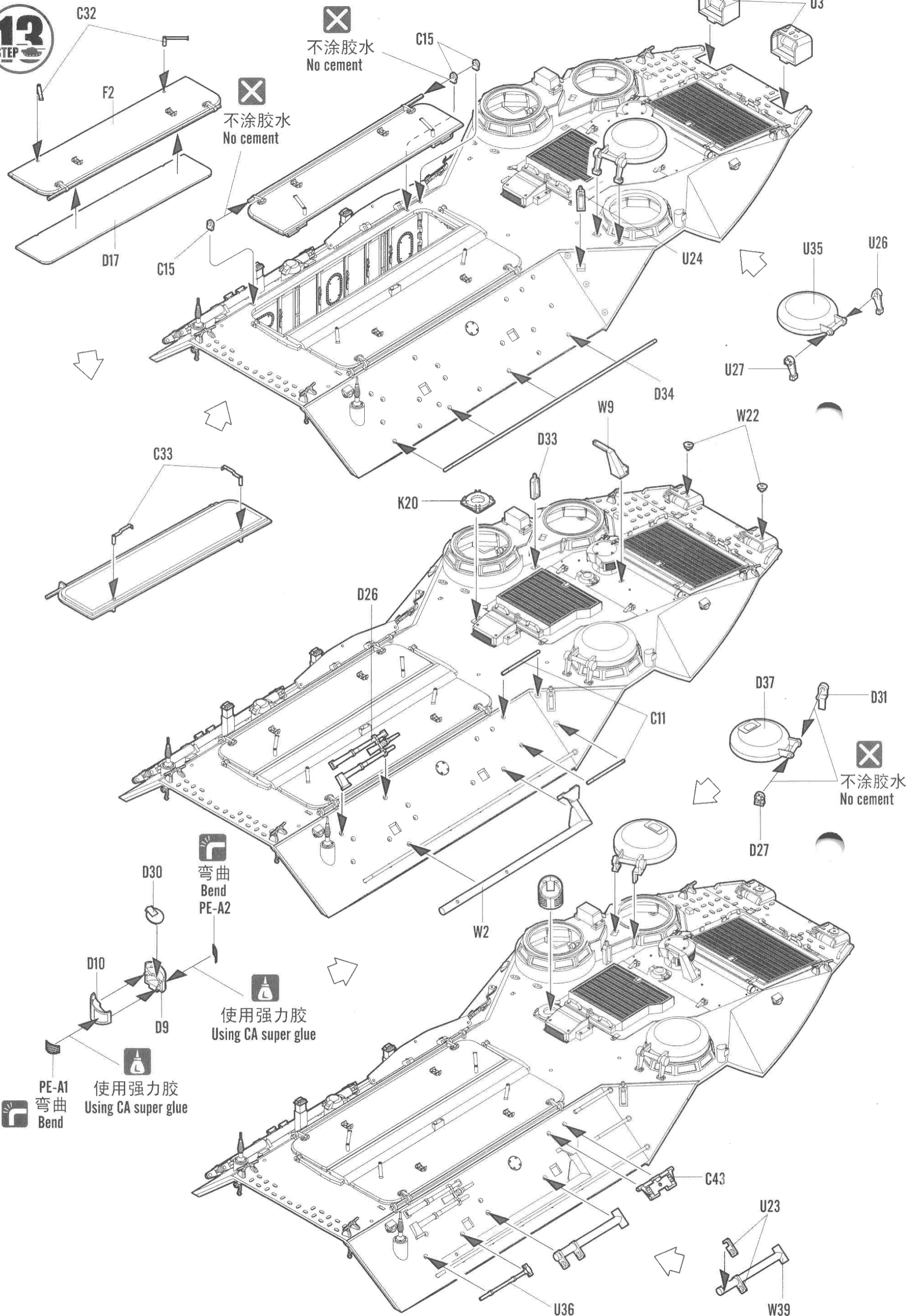
弯曲  
Bend  
PE-A6

使用强力胶  
Using CA super glue

使用强力胶  
Using CA super glue



**13**  
STEP



✗  
不涂胶水  
No cement

✗  
不涂胶水  
No cement

✗  
不涂胶水  
No cement

弯曲  
Bend  
PE-A2

使用强力胶  
Using CA super glue

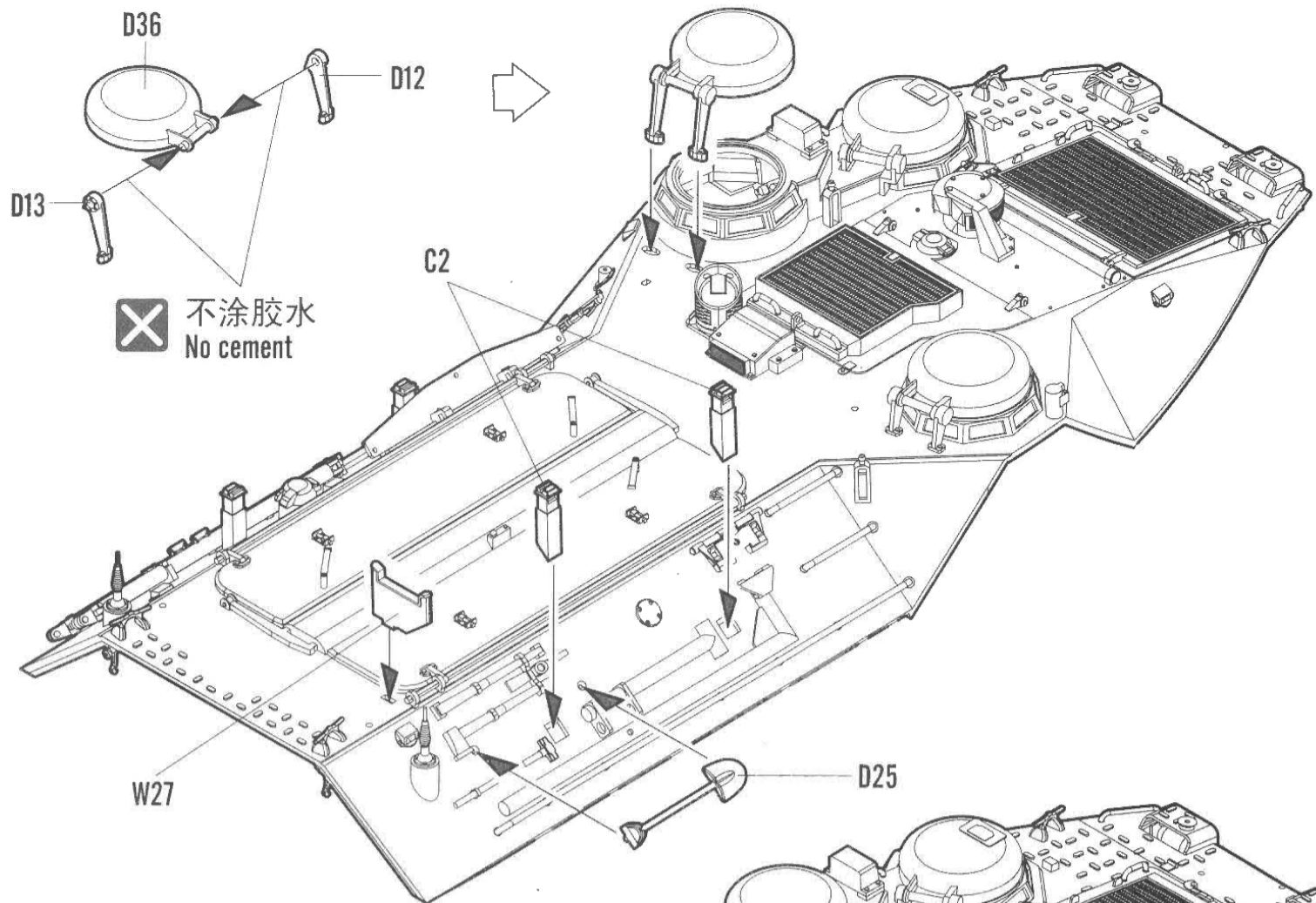
使用强力胶  
Using CA super glue

PE-A1  
弯曲  
Bend

U36

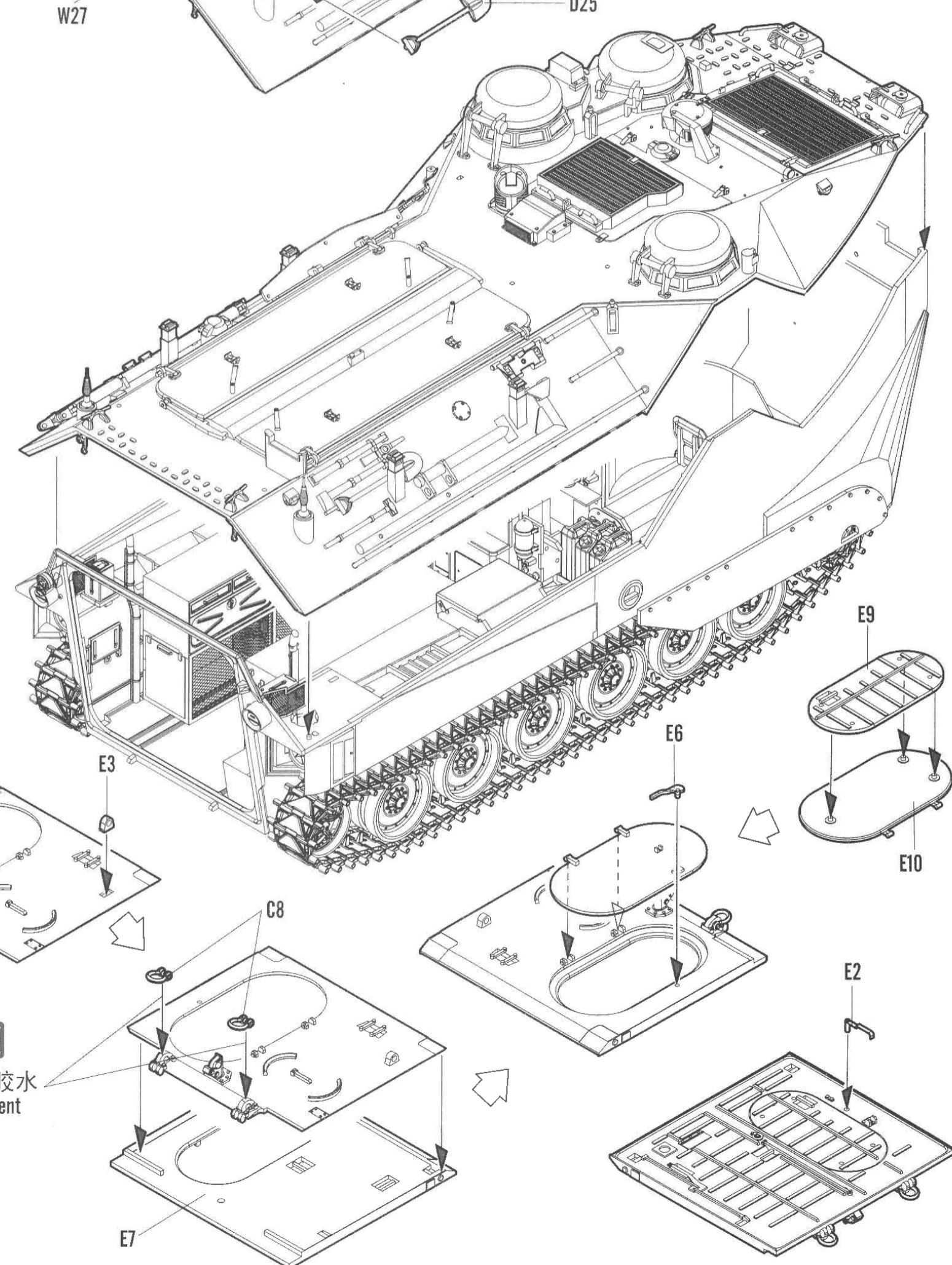
W39

**14**  
STEP

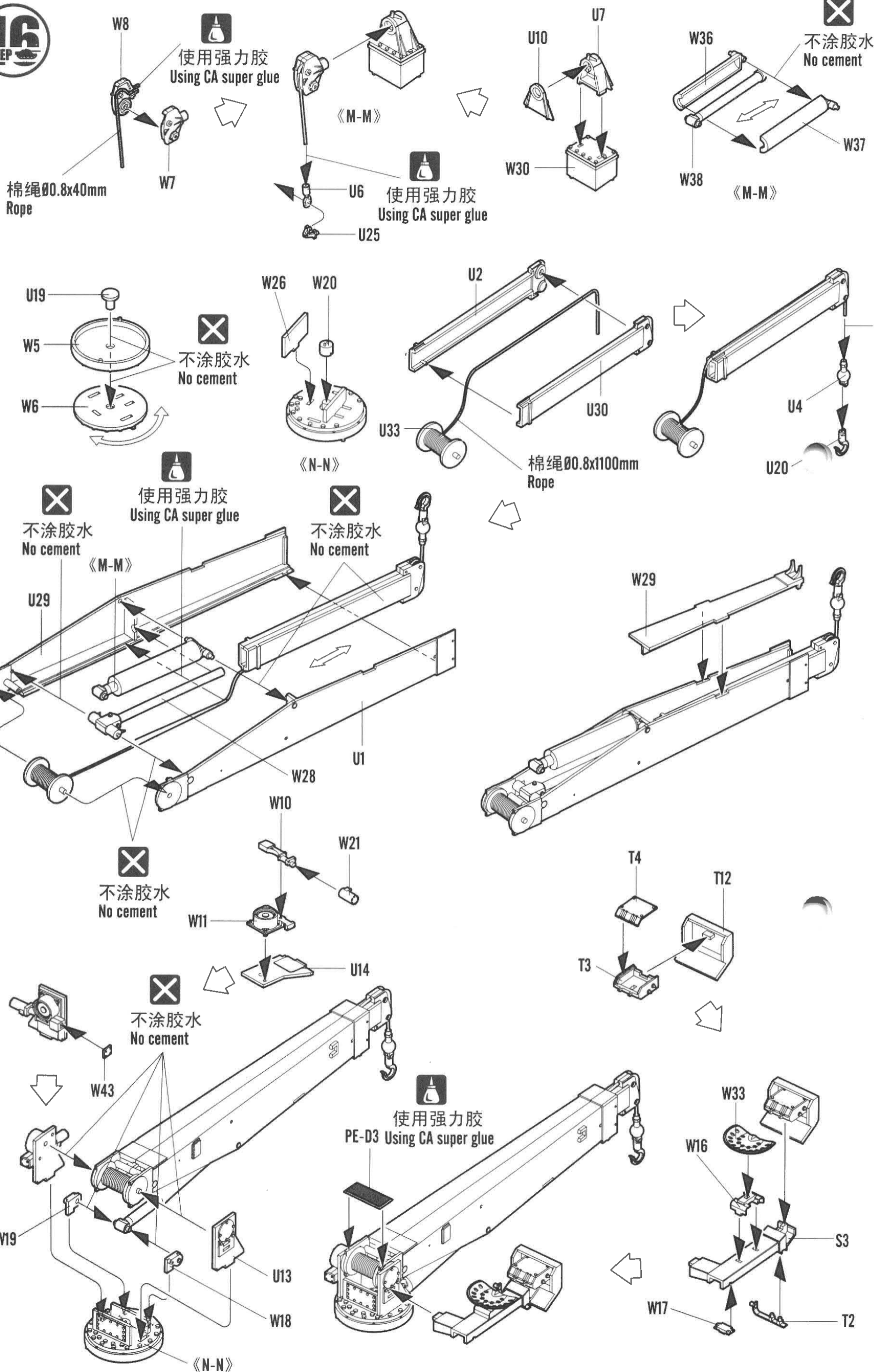


**15**  
STEP

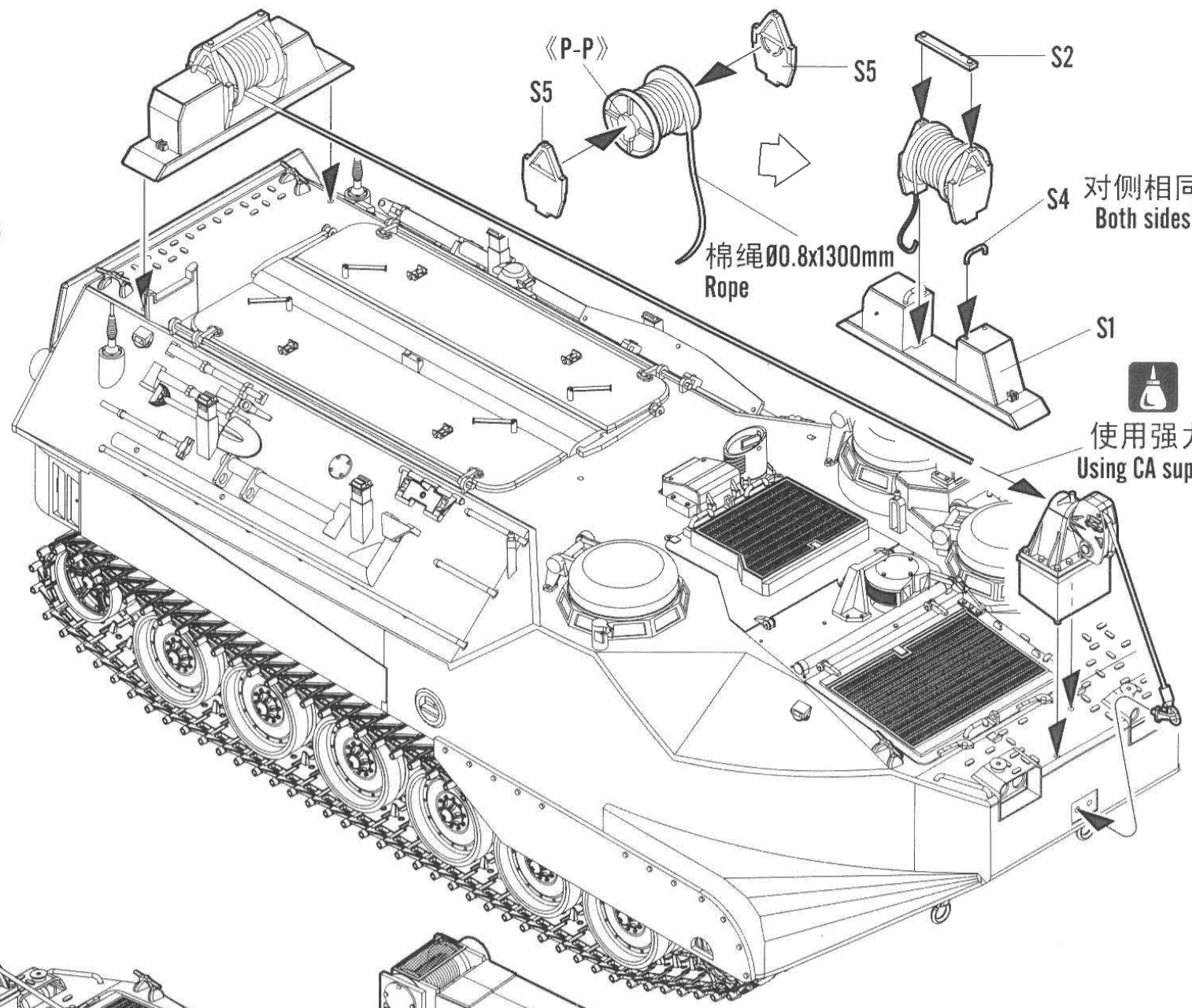
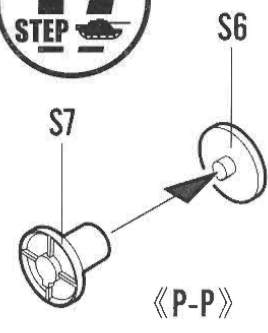
水



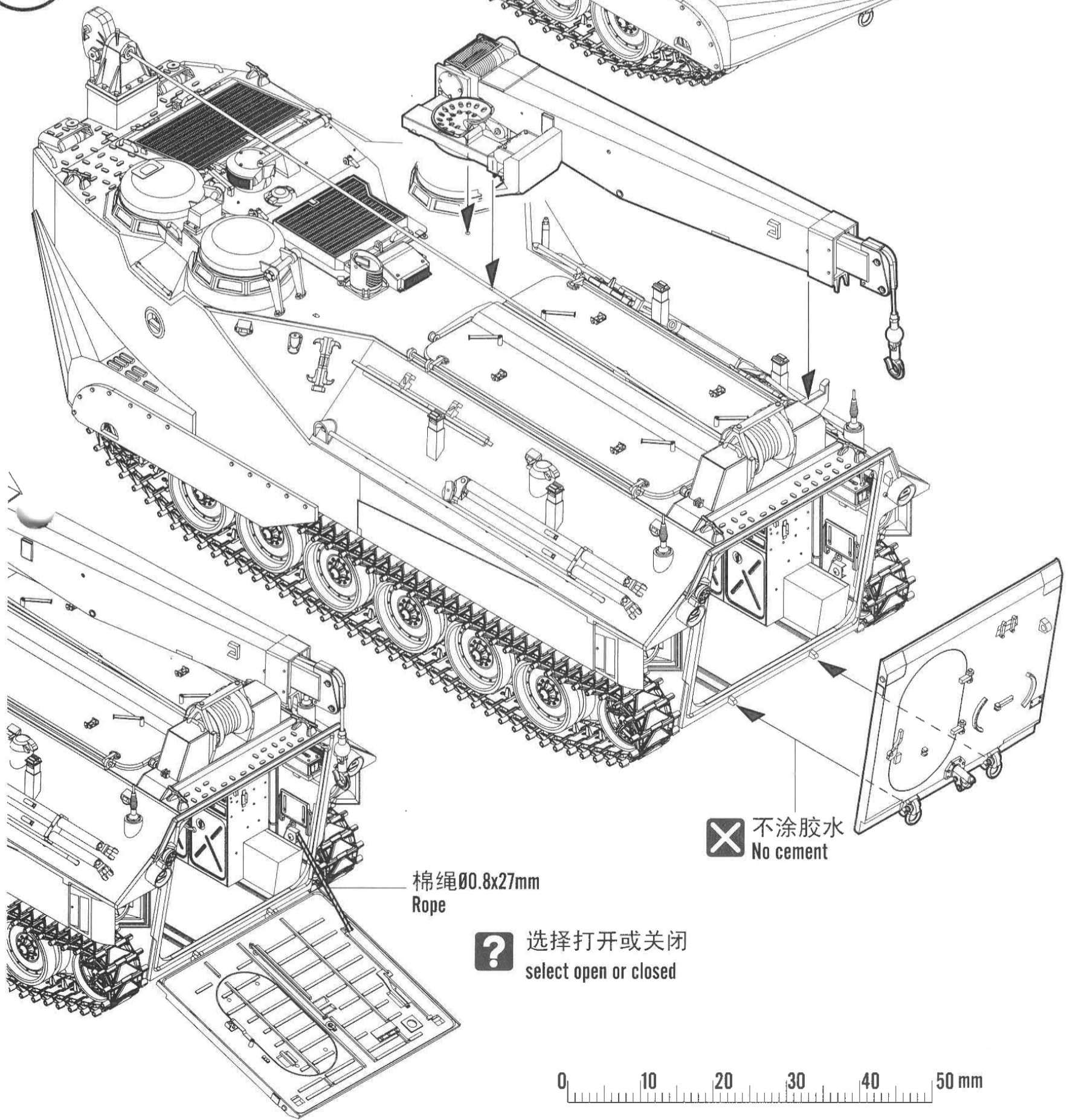
**16**  
STEP



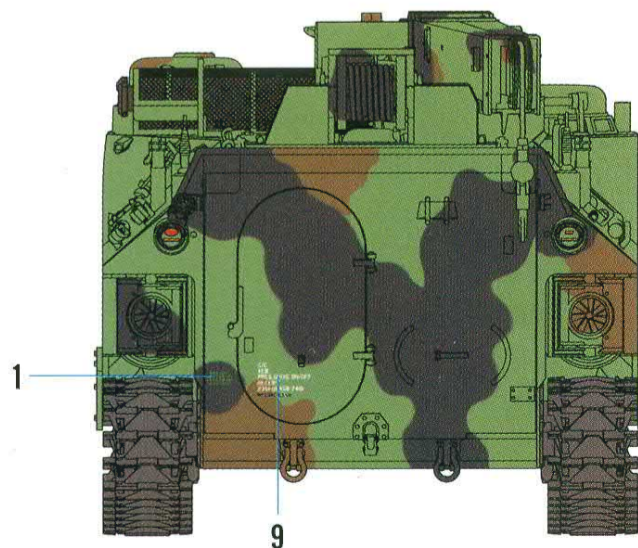
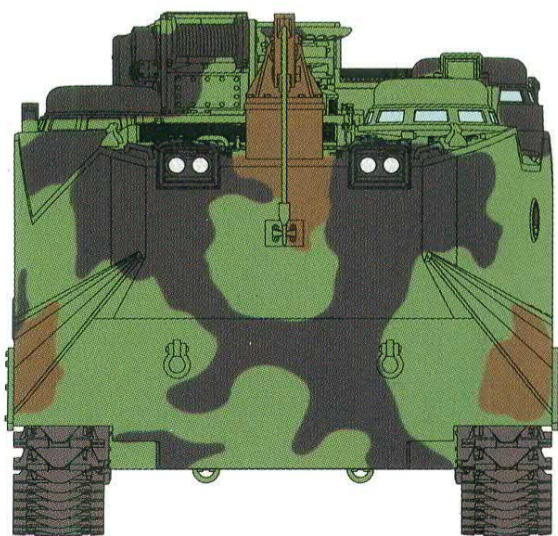
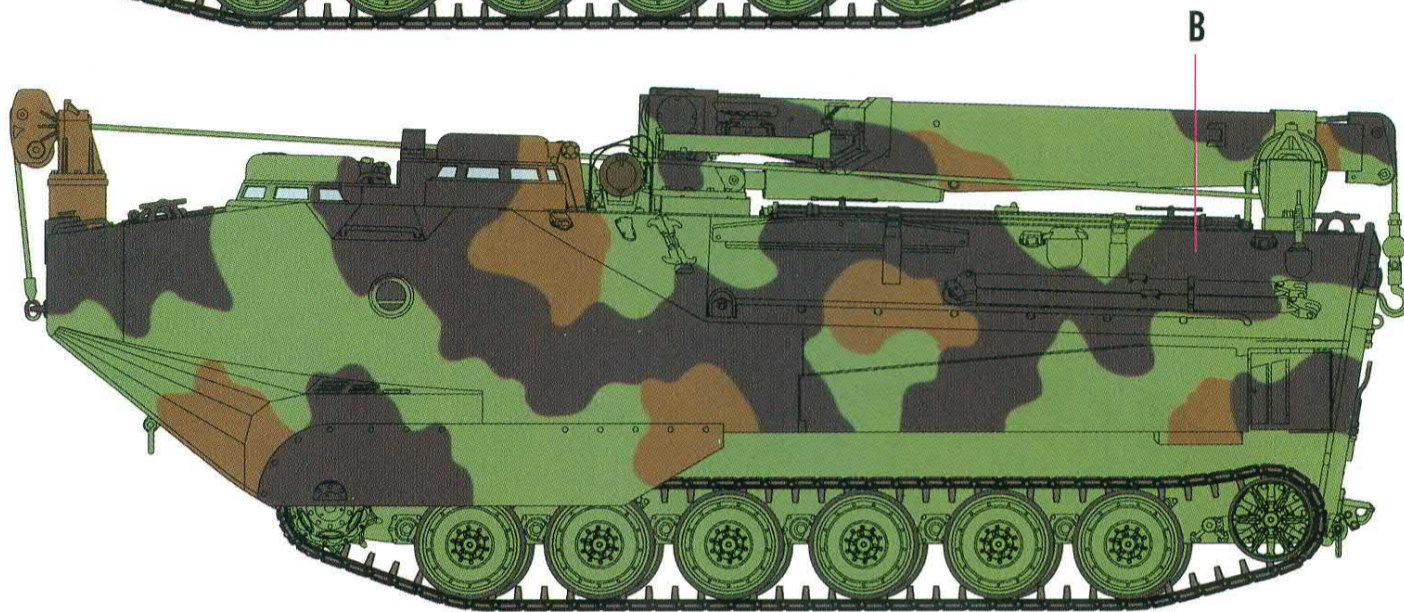
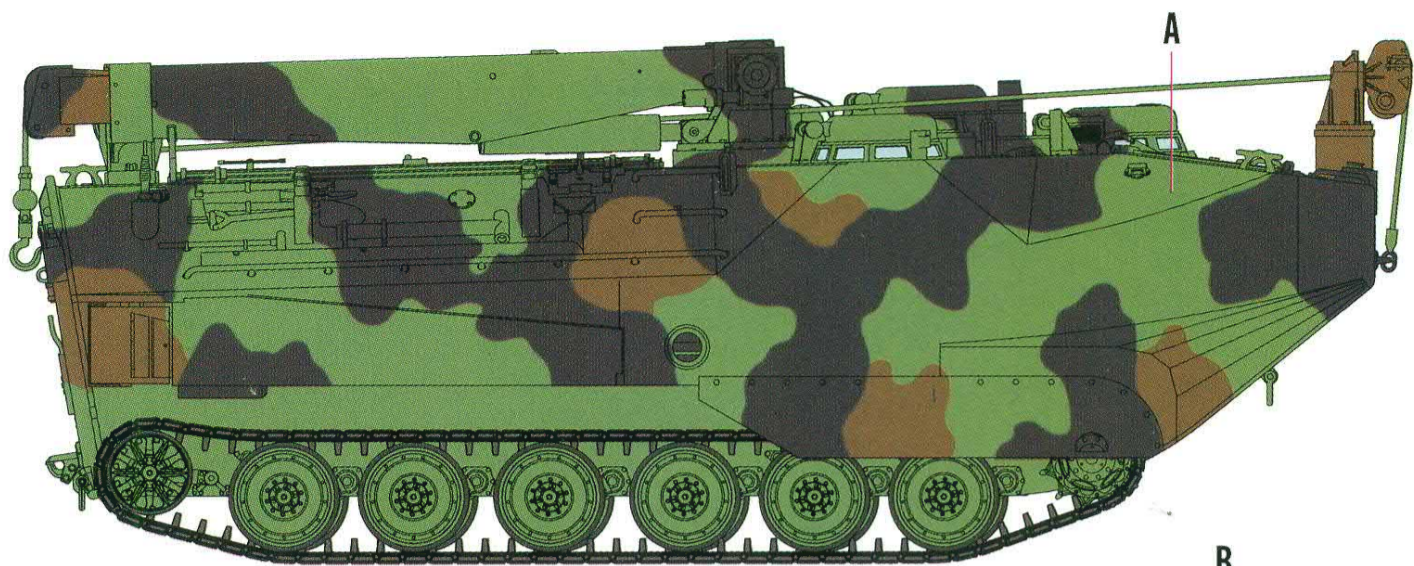
**17**  
STEP



**18**  
STEP







	Color	Mr.Hobby	Vallejo	Model Master	Tamiya	Humbrol
A	绿色 Green	H 312 312	--	1716	--	120
B	消光黑 Flat Black	H 12 33	950	1749	XF1	33
C	木棕色 Wood Brown	H 37 43	983	1701	--	186