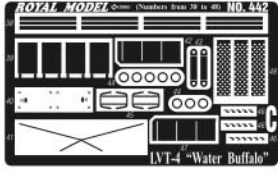
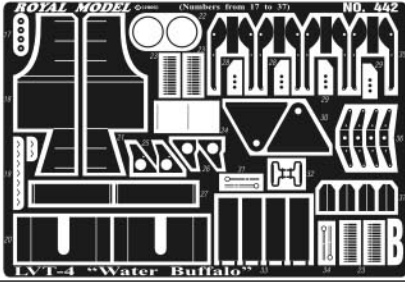
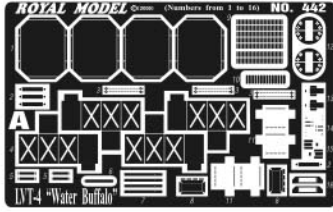


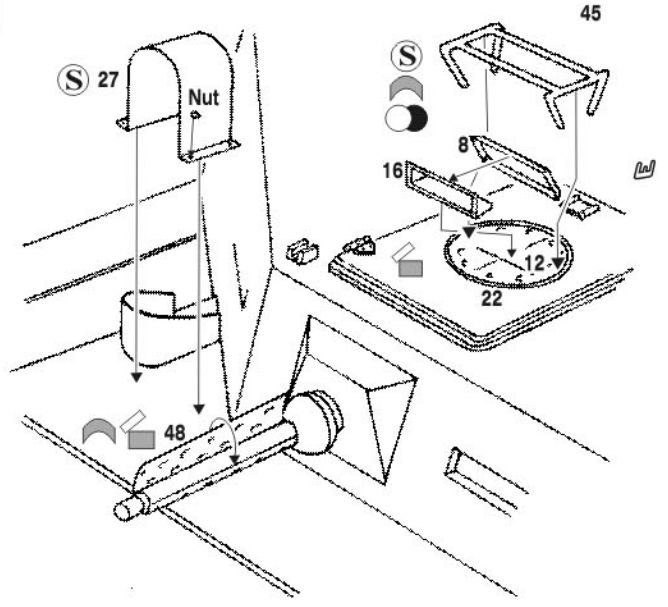


NO. 442
LVT-4 "Water Buffalo"
 (Details set for the ITALERI kit in 1/35 scale)

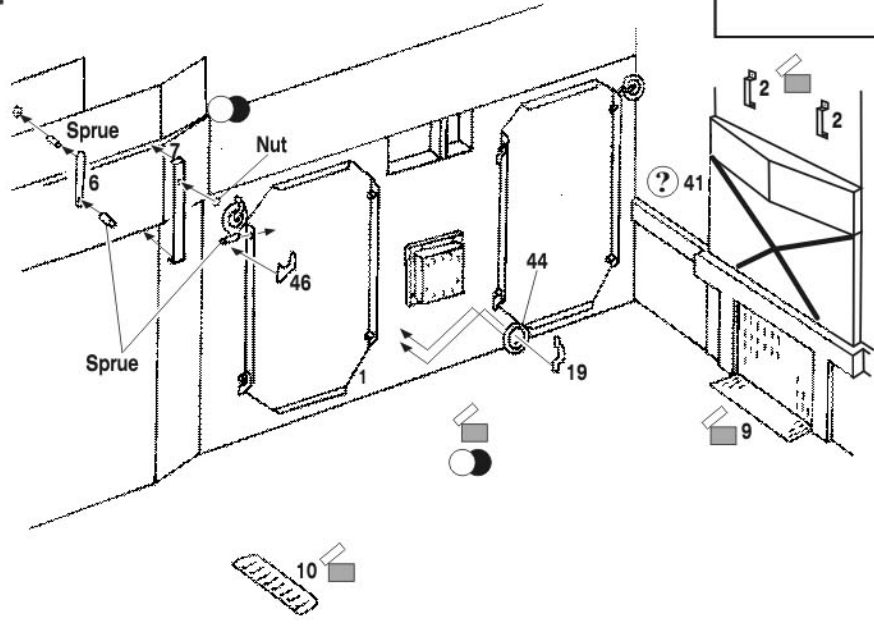


- Same in other side ⤵ Bend (S) Substitute
- ☐ Remove ● File hole (?) Facultative

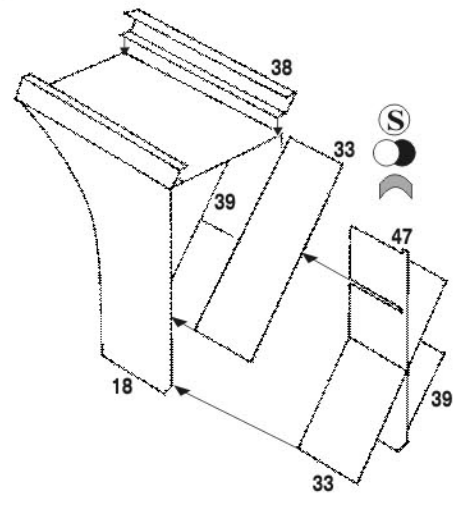
2



1



3



4

