

# Revell

# M\*A\*S\*H

SCENE

KIT 4335

1/35 SCALE 1/35 ECHELLE ESCALA 1/35

REVELL, INC. Morton Grove, IL. Copyright © 1994 All rights reserved. Made in U.S.A.

4335R4200



Just a scarce number of programs in television history have been as successful as the hit series M\*A\*S\*H™. Adapted from a 1971 hit movie of the same name, written by Dr. Richard Hornberger (Richard Hooker), it was an unparalleled statement about the misery of war. M\*A\*S\*H™ units were Mobile Surgical Hospitals, created during the Korean conflict. The first unit began accepting casualties in June 1950. The innovation of airlifting patients by helicopter was added in January of the next year. The quick evacuation of wounded soldiers meant that nearly ninety-five percent of all wounded soldiers who reached a M\*A\*S\*H™ unit alive were saved.

Death from battlefield wounds dropped dramatically during Korea and other subsequent conflicts. Premiering on television in 1972, M\*A\*S\*H™ ran for ten years, and was the number one show after just its second season. The final show was seen by seventy-seven percent of the Americans watching television on February 28, 1983. This diorama kit is a recreation of a scene from the series which includes the imitable JEEP® with Radar O'Reilly in the seat, the beautiful "Hot Lips" Houlihan, "Hawkeye" Pierce, "The Swamp" where he hung his hat, and the famous roadsign to the hometowns of all the people in the 4077th.

#### READ THIS BEFORE YOU BEGIN

- Study the assembly drawings.
- Each plastic part is identified by a number.
- Check the fit of each piece before cementing in place.
- Do not use too much cement to join parts.
- Use only cement for polystyrene plastic.
- Model may be painted to match photos on box.
- Allow paint to dry thoroughly before handling parts.
- Scrape paint from areas to be cemented.
- For better paint and decal adhesion, wash the plastic parts in a mild detergent solution. Rinse and let air dry.

#### LISEZ CE QUI SUIT AVANT DE COMMENCER

##### LE MONTAGE

- Etudier les schémas d'assemblage.
- Chaque pièce plastique porte un numéro d'identification.
- Contrôler que chaque pièce soit bien conforme avant de la coller à sa place.
- N'utilisez pas trop de colle pour réunir les pièces.
- Utilisez uniquement une colle spéciale pour polystyrène.
- Le modèle peut être peint conformément aux photos sur la boîte.

- Laissez sécher la peinture complètement, avant de manipuler les pièces.
- Grattez la peinture sur les surfaces devant être collées.
- Pour assurer la meilleure adhésion possible de la peinture et des décalcomanies, lavez les pièces de plastique avec une légère solution savonneuse. Rincer et laisser sécher à l'air.

#### LEA ESTO ANTES DE EMPEZAR

- Estudie los dibujos de ensamble.
- Cada pieza de plástico se identifica por un número.
- Verifique que cada pieza encaje bien antes de pegar en posición.
- No use demasiado pegamento para unir las piezas.
- Use únicamente pegamento para plástico de poliestirina.
- El modelo puede pintarse de acuerdo con las fotografías de la caja.
- Permita que se seque la pintura completamente antes de tocar las piezas.
- Raspe la pintura de las superficies que serán pegadas.
- Para una mejor fijación de la pintura y de las calcomanías, lávese las piezas plásticas en una solución de detergente suave. Enjuáguese y déjense secar al aire.



DECAL ( DIP IN WATER )  
DECALCOMANIE ( APLONGERDANS L'EAU )  
DECALCOMANIA ( MOJE CON AGUA )



REMOVE AND THROW AWAY  
A RETIRER JETER  
QUITE Y TIRE



REPEAT SEVERAL TIMES  
A REPETER PLUSIEURS FOIS  
REPITA VARAIS VECES

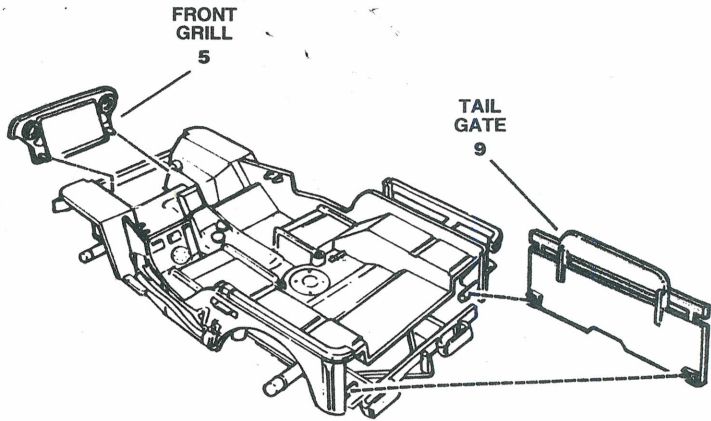
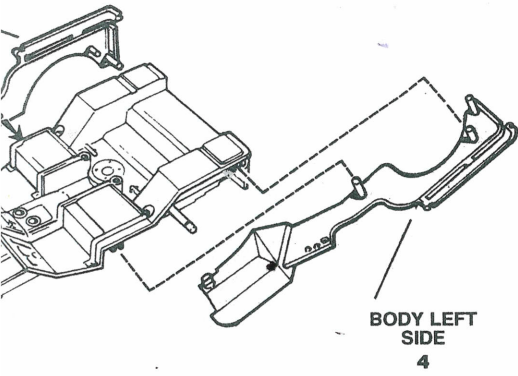


DO NOT CEMENT  
NE PAS COLLER  
NO USE PEGAMENTO

if you have any problems building this model, call our modeling tips hotline at:  
**(800)833-3570**

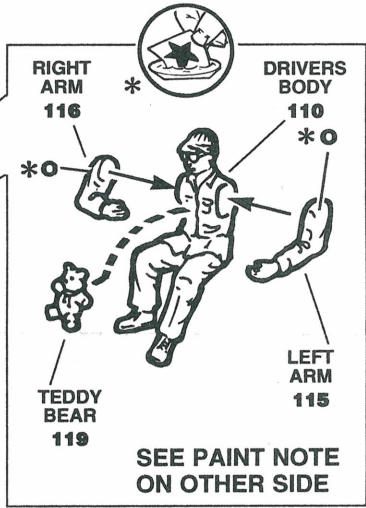
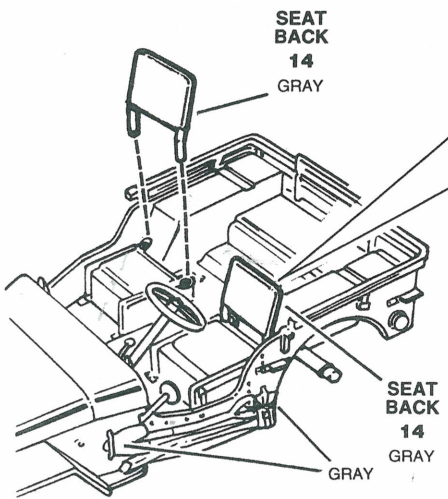
# 2

# 3



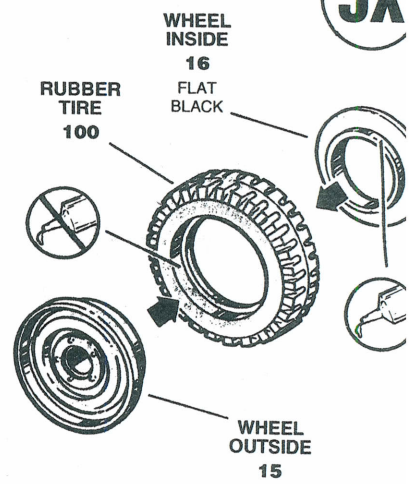
# 6

FLAT BLACK

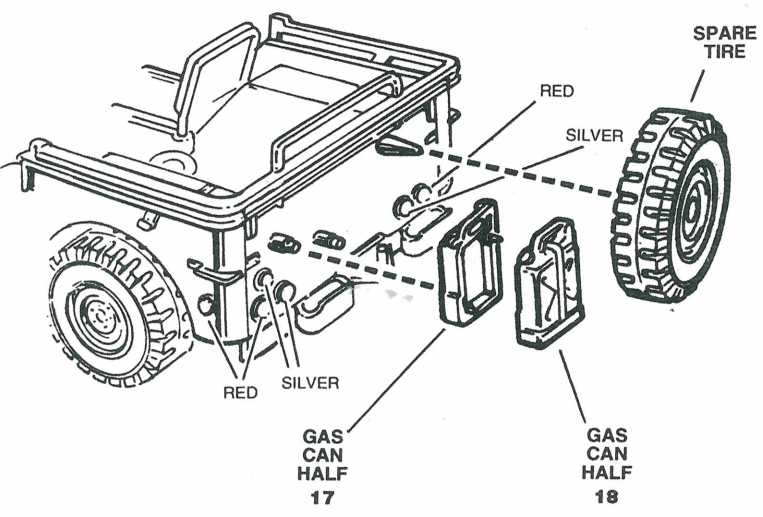


# 7

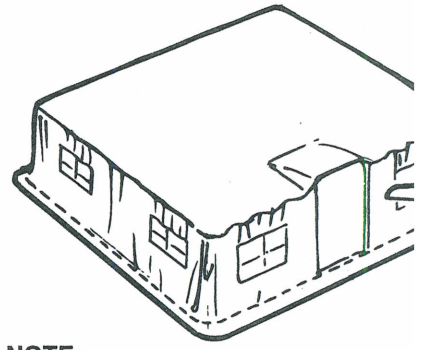
# 5X



# 10



# 11 M.A.S.H™ T

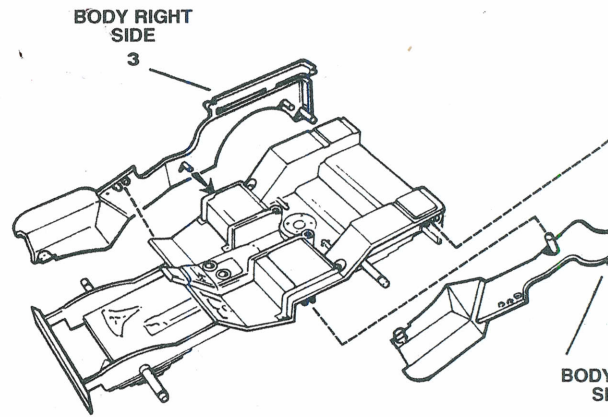
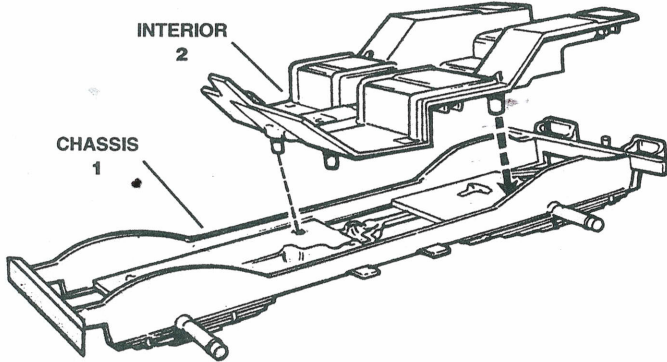


**NOTE:**  
 CUT OUT TENT AND TENT TOP USE SCISSORS AS SHOWN CLEAN UP / ROUGH PLASTIC EDGES WITH FINI SANDPAPER. (SCISSORS AND SANDPAPER ARE NOT SUPPLIED IN KIT.)

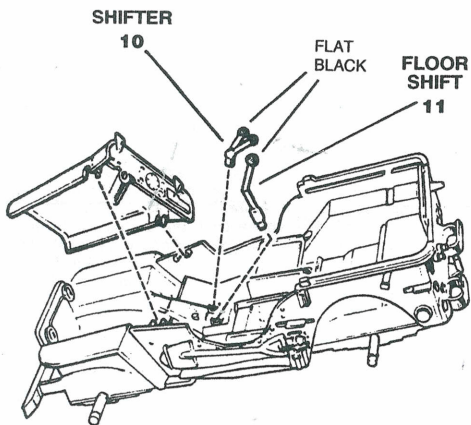


# 1

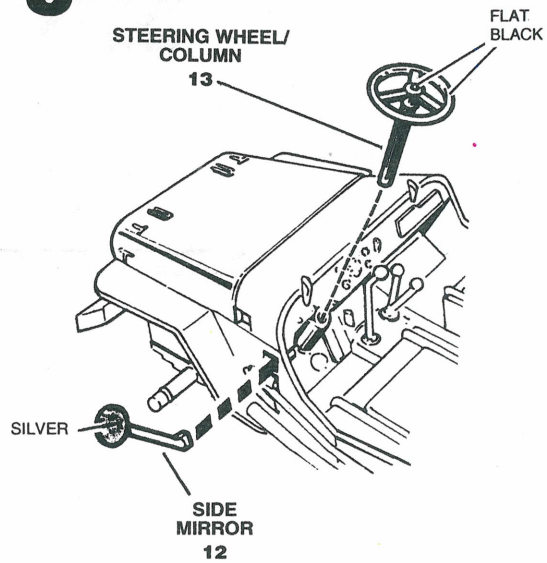
# ARMY JEEP® ASSEMBLY



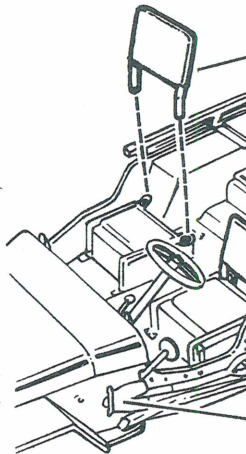
# 4



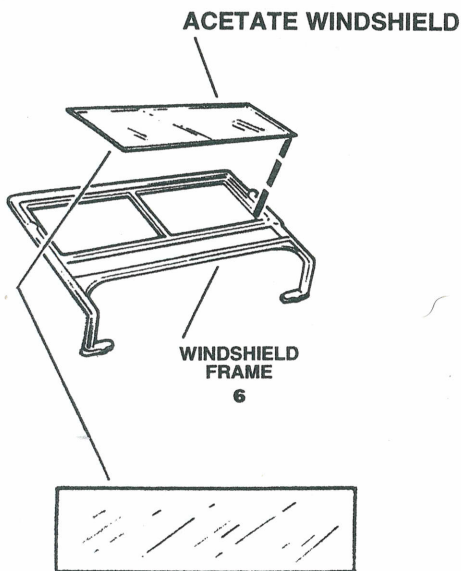
# 5



# 6

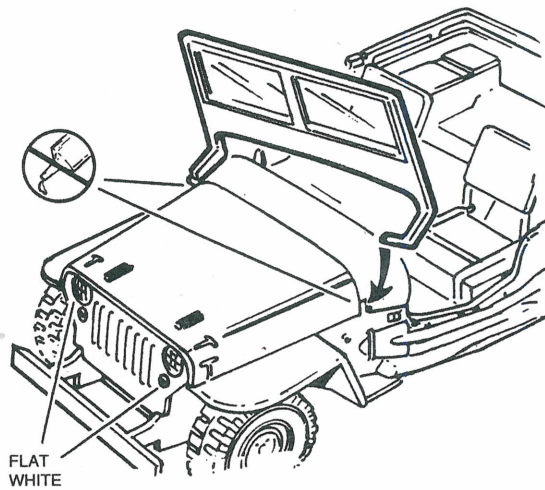


# 8



ACTUAL SIZE

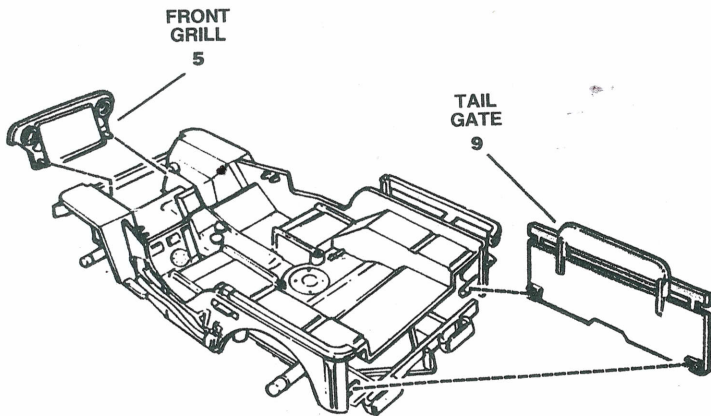
# 9



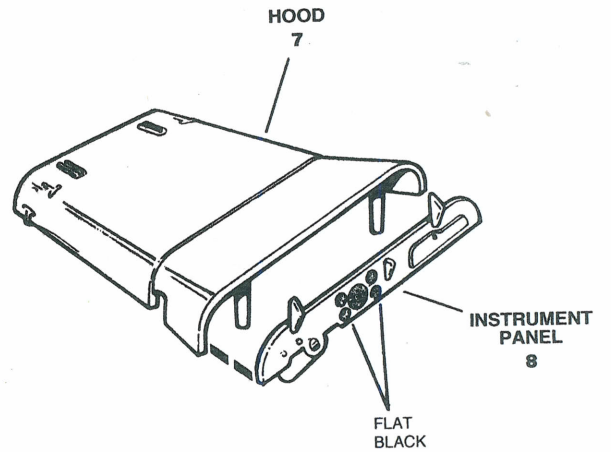
# 10



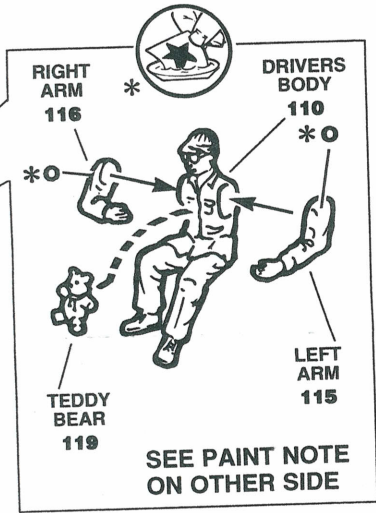
2



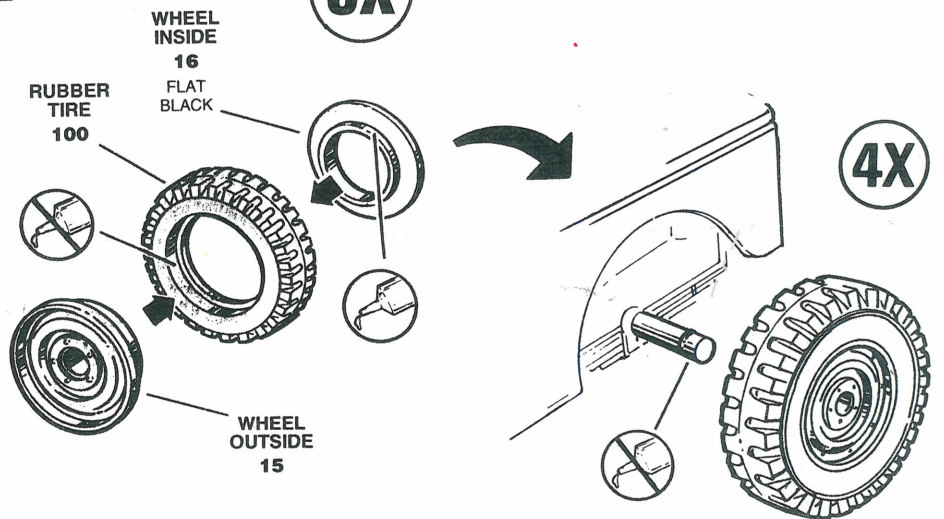
3



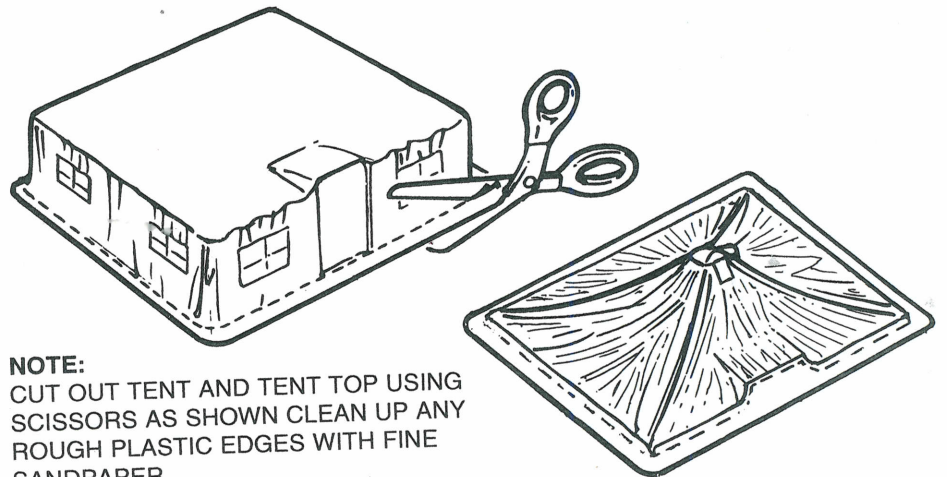
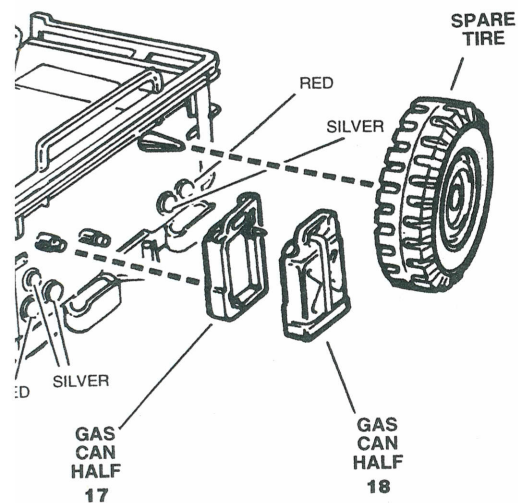
7



5X



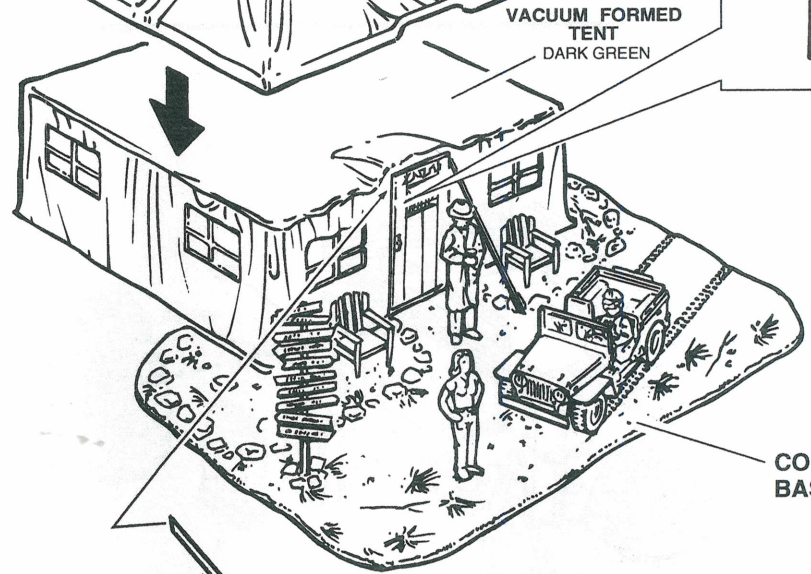
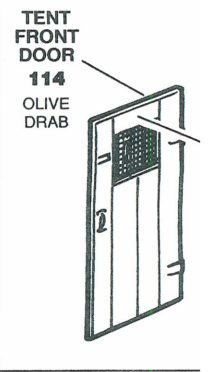
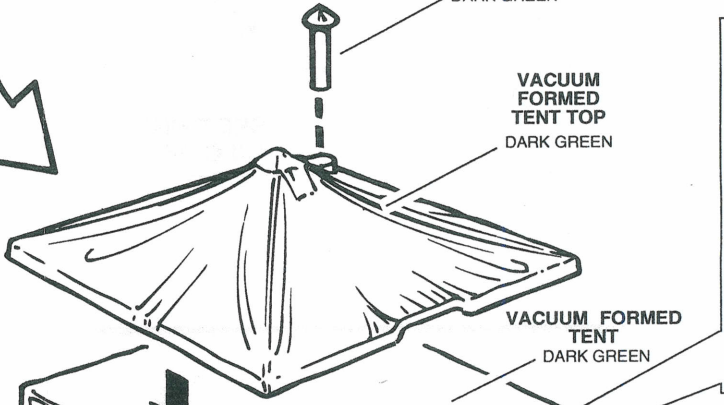
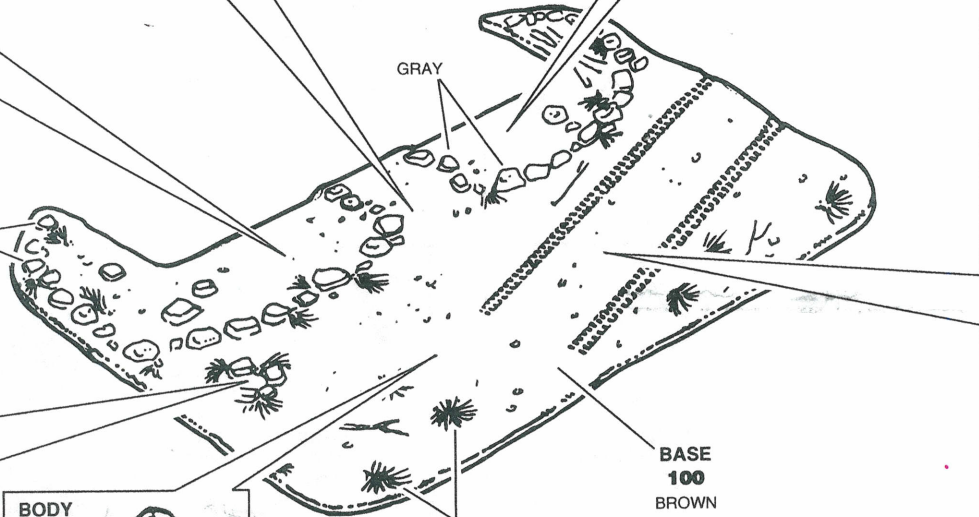
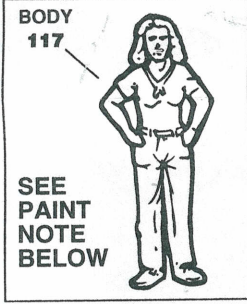
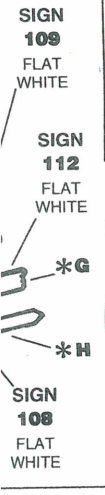
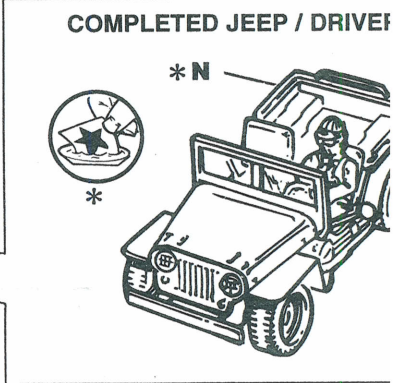
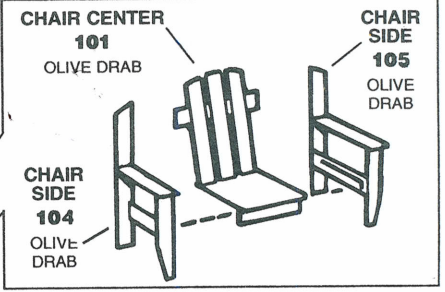
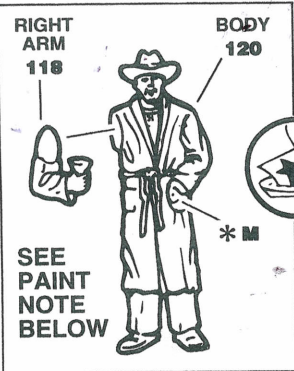
# 11 M.A.S.H™ TENT ASSEMBLY



4335R4200



# A ASSEMBLY



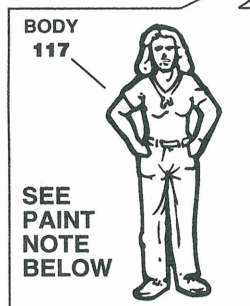
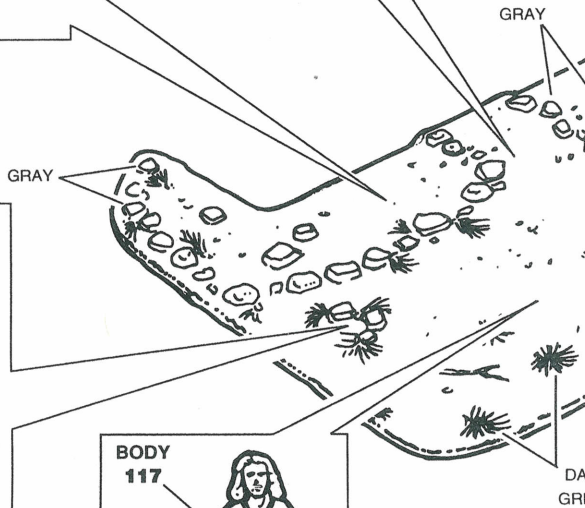
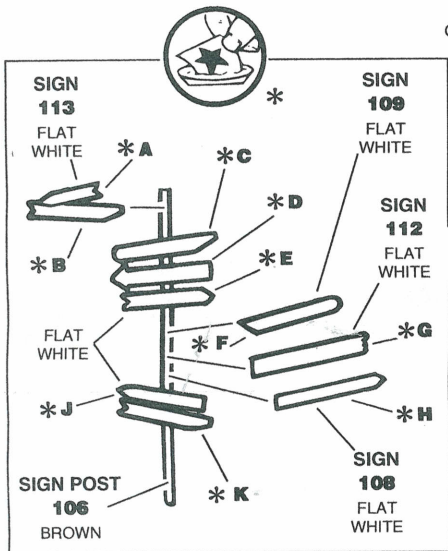
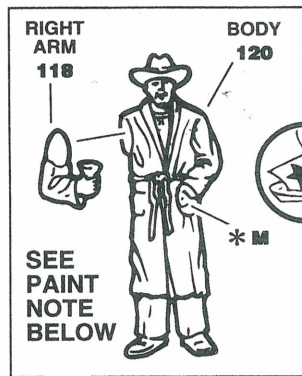
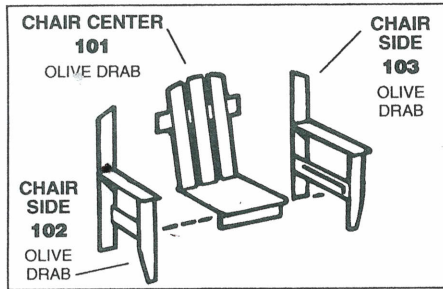
FLAT BLACK	NOIR TERNE	NOIR APAGADO
FLAT WHITE	BLANC	BLANCO
RED	ROUGE	ROJO
YELLOW	JAUNE	AMARILLO
BROWN	BRUN	MARRON
MAROON	MARRON	CASTANO
SKINCOLOR	COULEUR DE LA PEAU	COLOR DE LA PIEL
OLIVE DRAB	VERT DRAB	ACEITUNADO
DARK GREEN	VERT FONCE	VERDE OSCURO
LIGHT GREEN	VERT CLAIR	VERDE CLARO
GRAY	GRIS	GRIS
SILVER	ARGENT	PLATA

Revell, Incorporated has put forth every effort to create and manufacture the finest model kit available. If a part may be missing, please write to:

**Revell, Incorporated**  
 Consumer Service Department  
 301 North Third Avenue  
 Des Plaines, Illinois 60016

Be sure to include the kit number, part number, description, and your return address.

# 12 DIORAMA ASSEMBLY



## PAINTING NOTES

### MAN STANDING

- FLAT WHITE --- HAT
- SKIN COLOR -- FACE, HANDS
- MAROON ---- BATH ROBE
- OLIVE DRAB -- SHIRT, PANTS
- SILVER ----- DOG TAGS, MARTINI GLASS
- BROWN ----- SHOES, HAIR

### WOMAN, STANDING

- YELLOW ----- HAIR
- SKIN COLOR -- FACE, HANDS
- OLIVE DRAB -- SHIRT, PANTS
- SILVER ----- DOG TAGS
- BROWN ----- SHOES, BELT

### DRIVER, SITTING

- OLIVE DRAB -- HAT, SHIRT, PANTS
- SKIN COLOR - FACE, HANDS
- SILVER ----- GLASSES
- BROWN ----- SHOES, TEDDY - BEAR

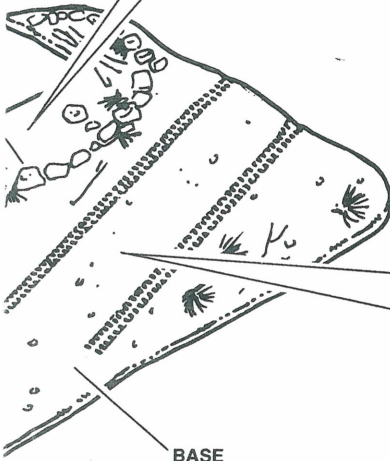
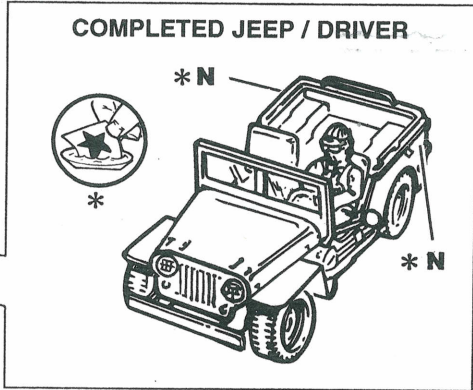
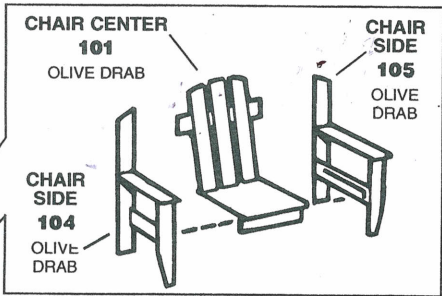
FLAT BLACK	NOIR TERNE	NOIR APAGADO
FLAT WHITE	BLANC	BLANCO
RED	ROUGE	ROJO
YELLOW	JAUNE	AMARILLO
BROWN	BRUN	MARRON
MAROON	MARRON	CASTANO
SKINCOLOR	COULEUR DE LA PEAU	COLOR DE LA PIEL
OLIVE DRAB	VERT DRAB	ACEITUNADO
DARK GREEN	VERT FONCE	VERDE OSCURO
LIGHT GREEN	VERT CLAIR	VERDE CLARO
GRAY	GRIS	GRIS
SILVER	ARGENT	PLATA

Revell, Incorporated has put forth every effort to create and manufacture the finest model kit available. If a part may be missing, please write to:

**Revell, Incorporated**  
 Consumer Service Department  
 301 North Third Avenue  
 Des Plaines, Illinois 60016

Be sure to include the kit number, part number, description, and your return address.



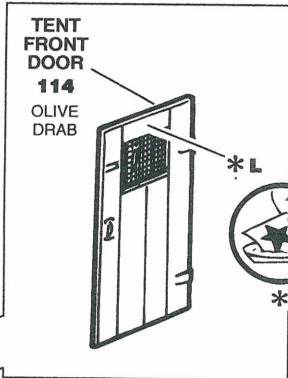


**BASE 100**  
BROWN

**CHIMNEY 107**  
DARK GREEN

**VACUUM FORMED TENT TOP**  
DARK GREEN

**VACUUM FORMED TENT**  
DARK GREEN



**COMPLETED BASE**

SUPPORT

**2X**

M\*A\*S\*H™ & © 1970, 1994 Twentieth Century Fox Film Corp. All rights reserved.  
Jeep and the Jeep Grille design are trademarks of Chrysler Corporation used under license by Revell Monogram, Inc. ©CHRYSLER CORPORATION 1994\*.