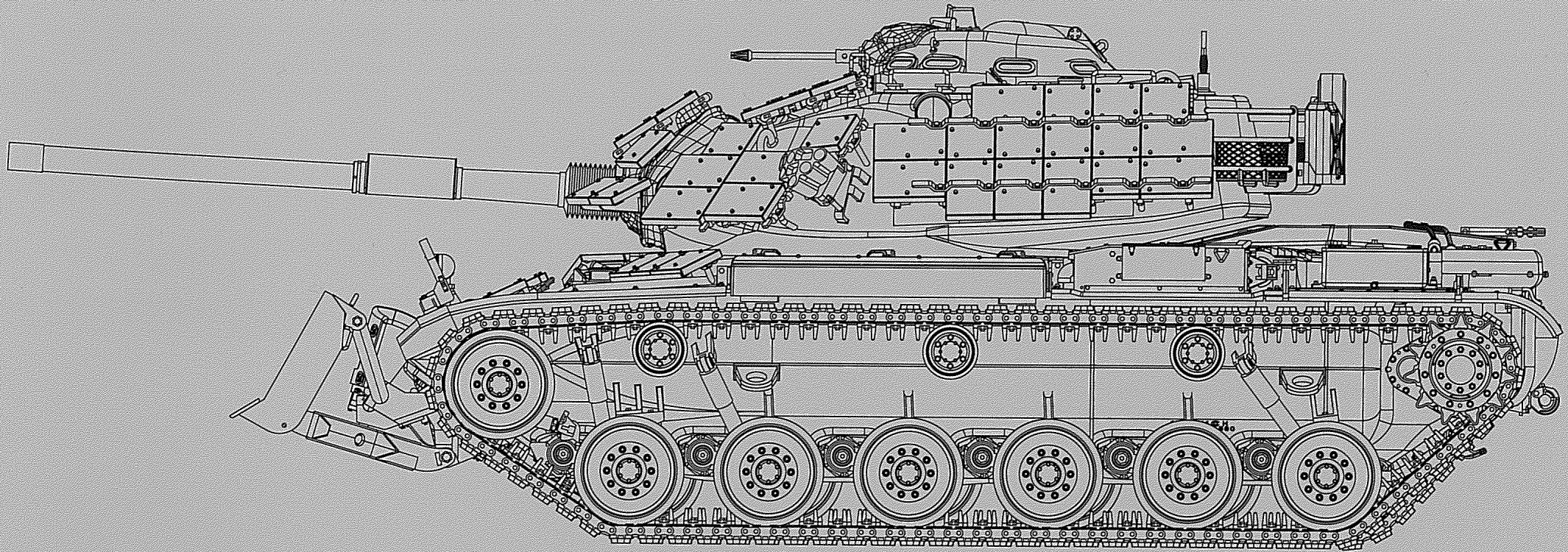


M60A1 w/ERA & M9 BULLDOZER

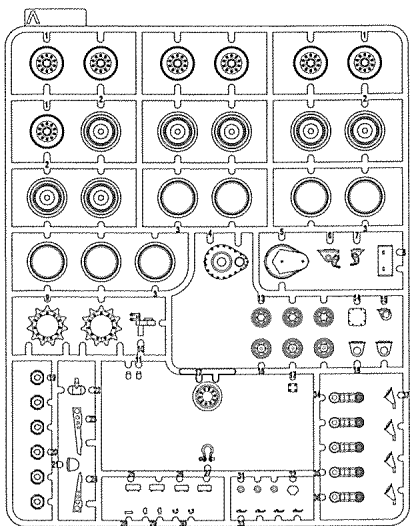


Evolving from the M48 through the M60, the M-60A1 Patton tank was produced from 1962 through 1980. This newer variant featured a redesigned wedge-shaped turret with improved ballistic protection and a new mounting for the 105mm M68 main gun (modified from the excellent British L7 with a vertical sliding breech block), which could fire HE, Frag, AP, and HEAT rounds. Additional armament consisted of a coaxially mounted 7.62 mm M73 machine gun and a 12.7 mm M85 machine gun mounted in the commander's cupola. Further improvements consisted of increased armor thickness on the glacis and hull sides, as well as the installation of shock absorbers at the first two and last roadwheel stations. Powered by the improved 643 hp Continental AVDS-1790-2A V-12 twin turbo diesel engine coupled to the Allison CD-850-6A powershift cross-drive transmission, the tank weighed 58 tons and was served by a crew of four -- commander, gunner, loader, and driver. This vehicle became the main battle tank fielded by the US Armed forces through the 1960's into the early 1970's.

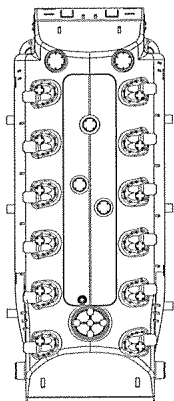
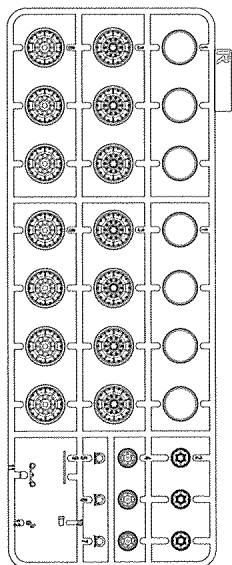
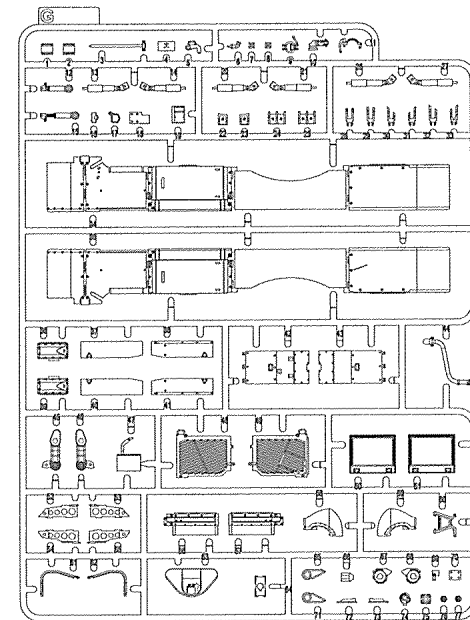
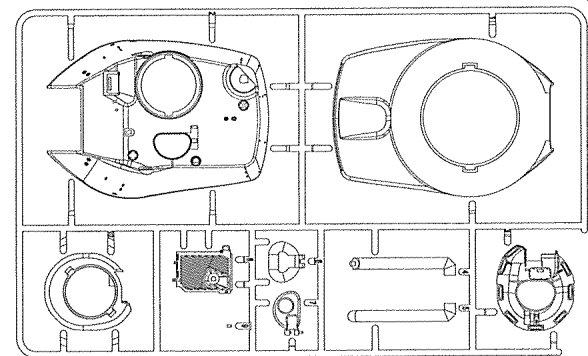
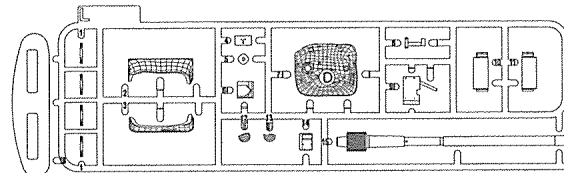
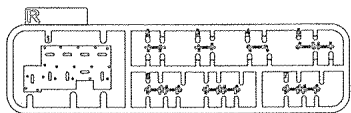
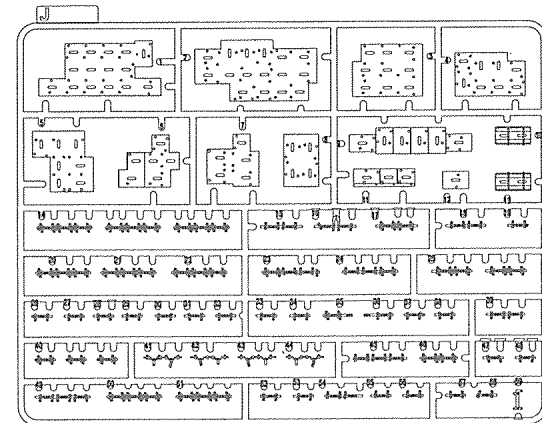
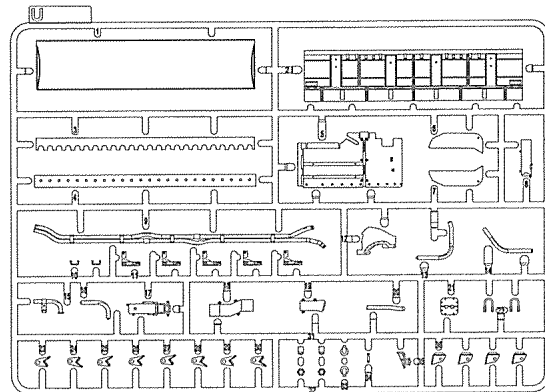
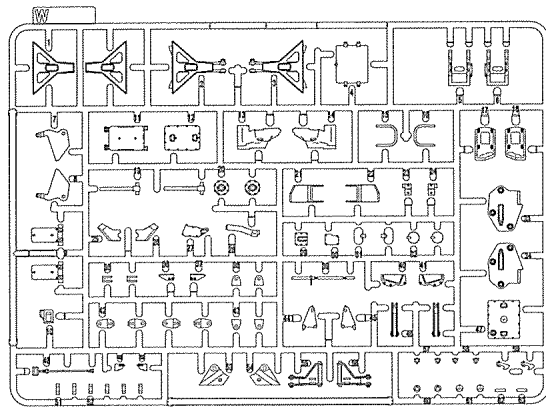
The ultimate development of the M-60A1 was the M-60A1 RISE (RISE= Reliability Improvements for Selected Equipment). These were rebuilt M-60A1's, with added passive 'starlight' scopes for the driver, gunner and commander, eliminating the need for the bulky IR projector above the main gun. Other improvements included the Continental AVDS-1790-2C engine, which helped to boost engine power. A battery of smoke dischargers was also added to either side of the turret, like the set-up on the Chieftain tank. These vehicles were quickly supplied to frontline units overseas, such as in Germany, by early 1979.

Deployed to Operation Desert Shield in 1990, the United States Marines Corps' main battle tank was retrofitted with explosive reactive armor (ERA) tiles to further increase crew protection. During Operation Desert Storm, the 1st Marine Expeditionary Force fielded 210 M60A1's to support the liberation of Kuwait, destroying over 100 Iraqi T-55/62/72 & Type 69-II tanks (and losing only one to anti-tank mines).

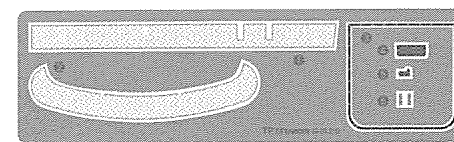
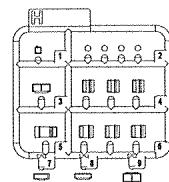
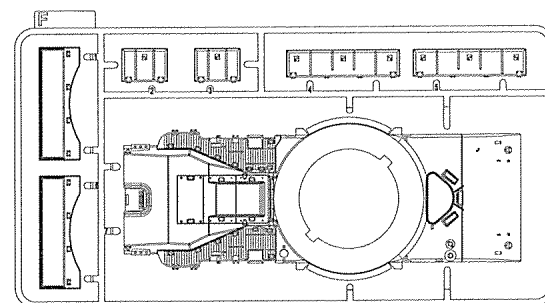
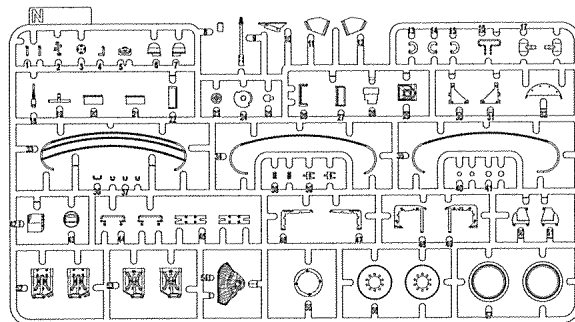
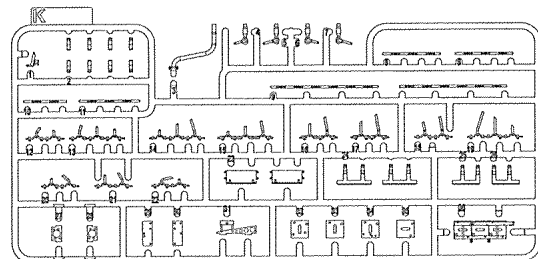
PARTS



X2



Lower Hull



TP



X2

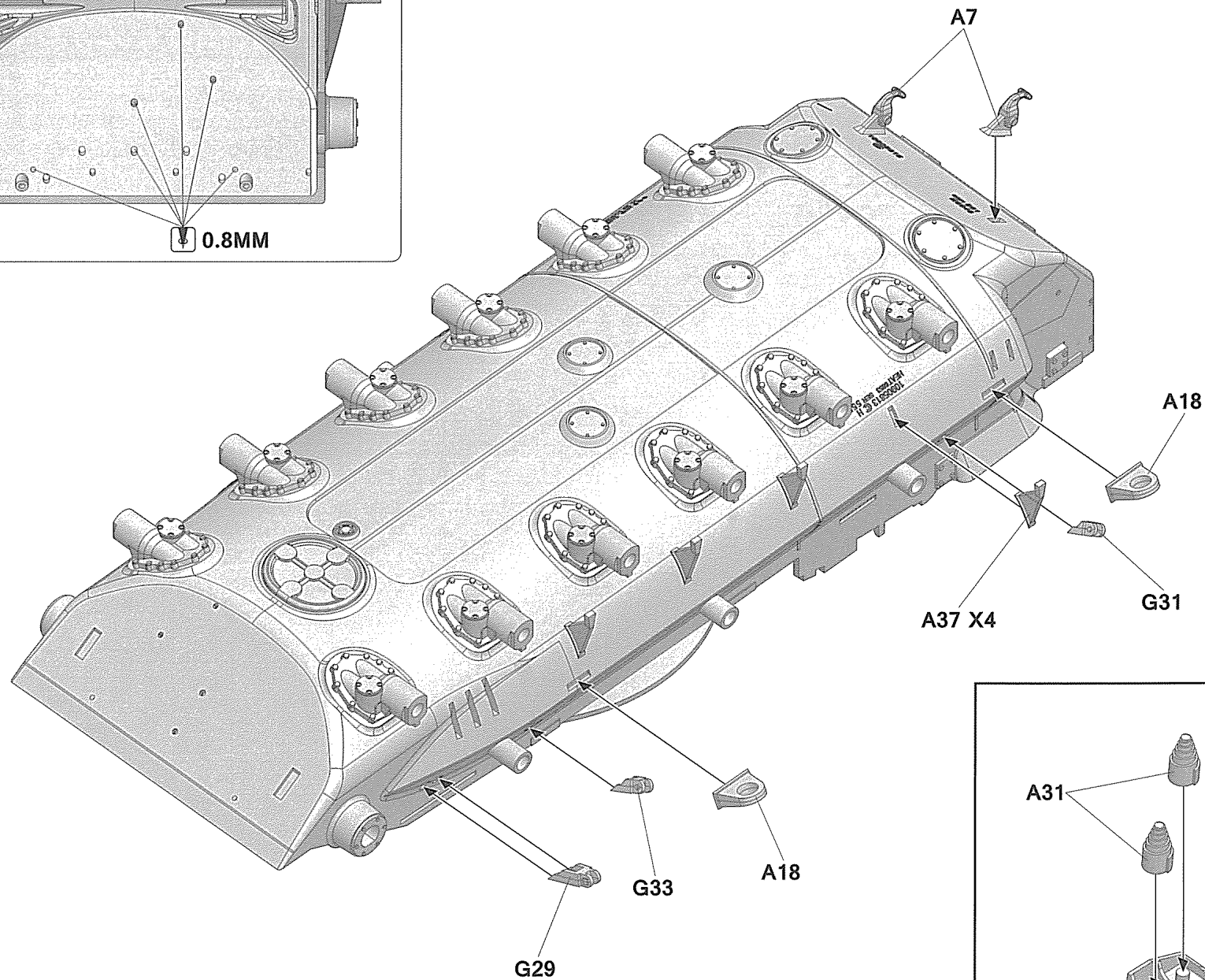
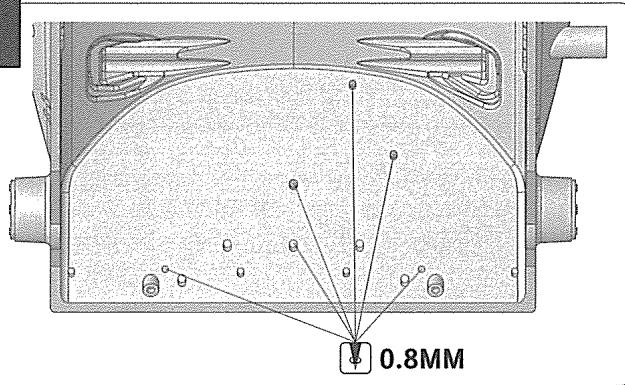
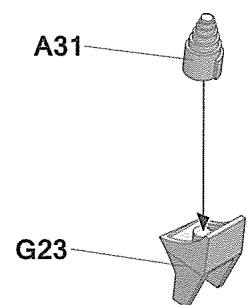
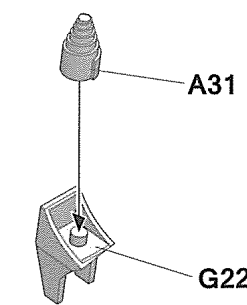
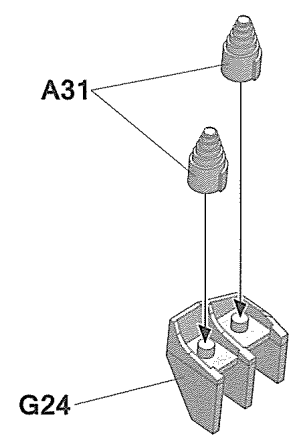
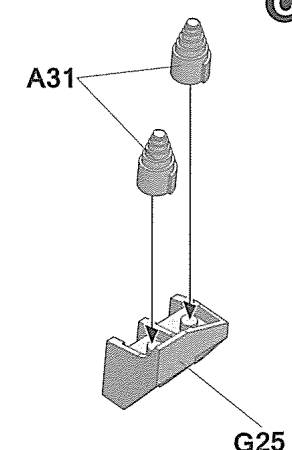
X2

X2
Steel Pins

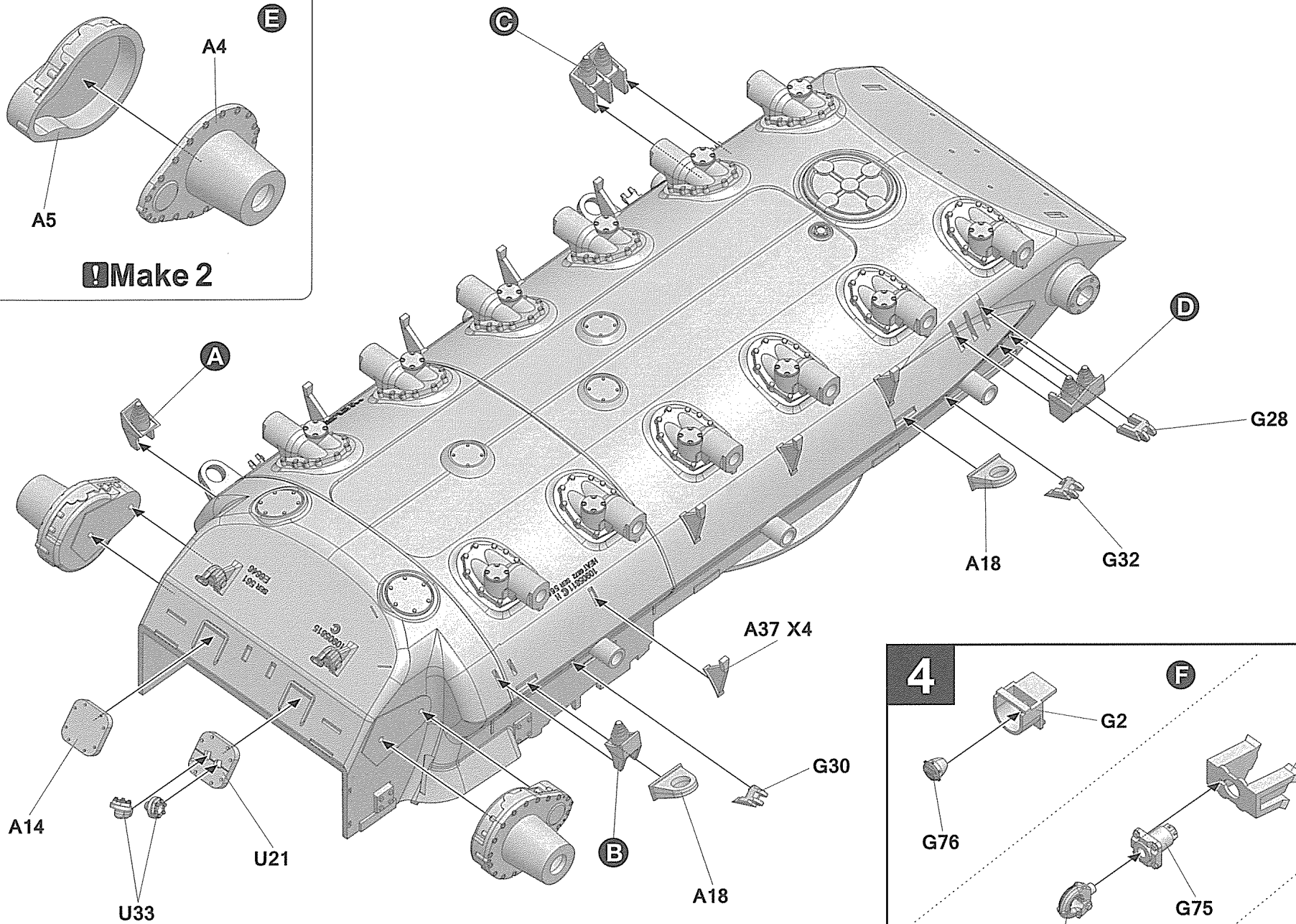
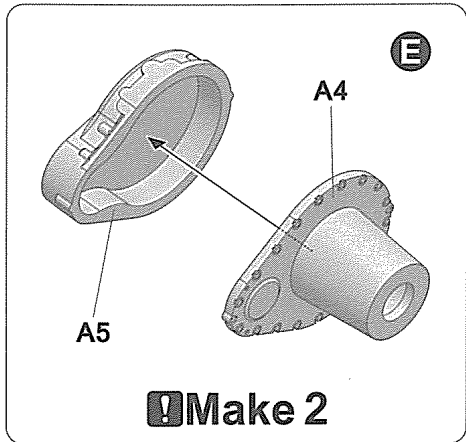
Cable



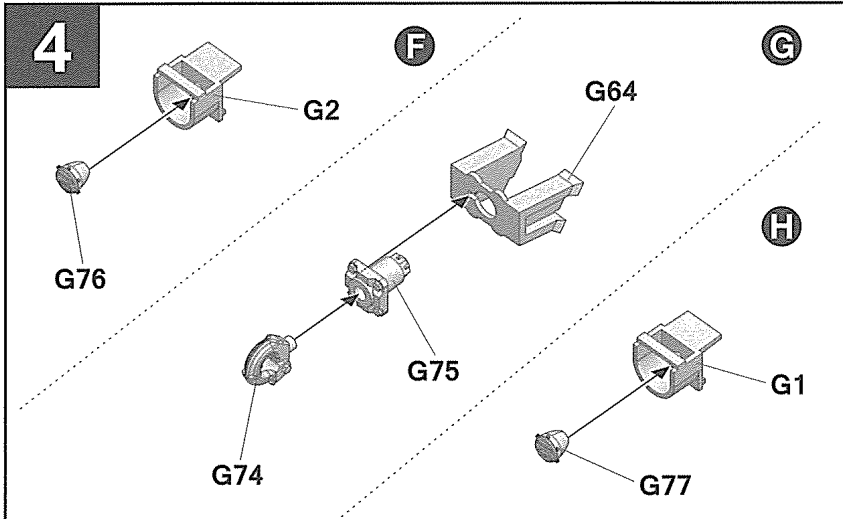
Decal

1**2****A****B****D****C**

3



4



5

I

A35

A19

G26

P

M

O

J

A36

G21

A20

K

A36

G27

A20

L

G12

G45

A10

G67

G14

A29

F

G

H

A29

N

K

J

L

A19

M

G20

A35

A34

N

A20

Make 3

A19

O

A34

Make 3

G68

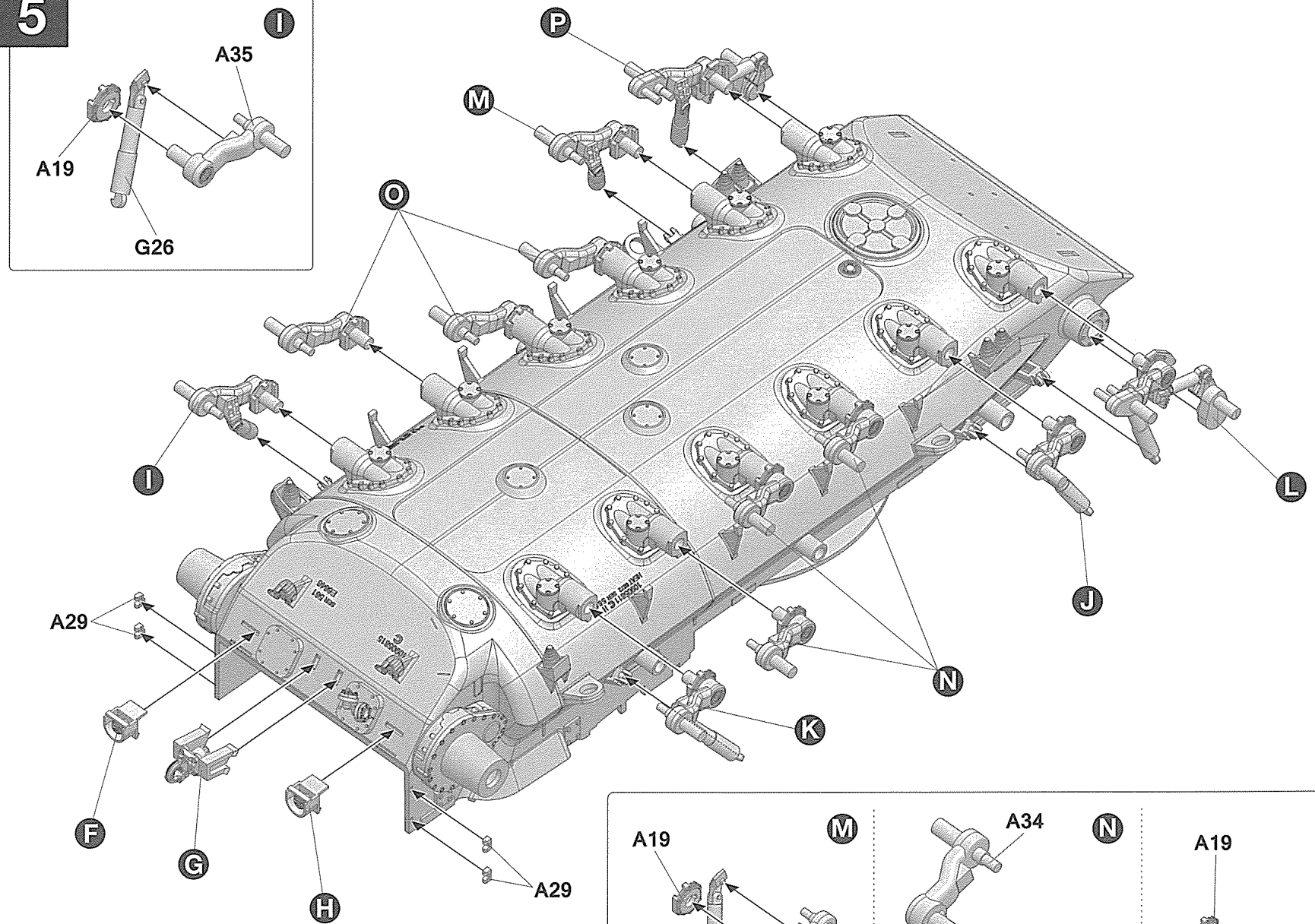
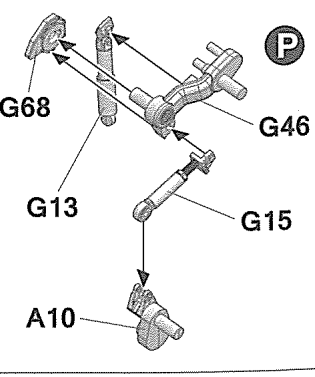
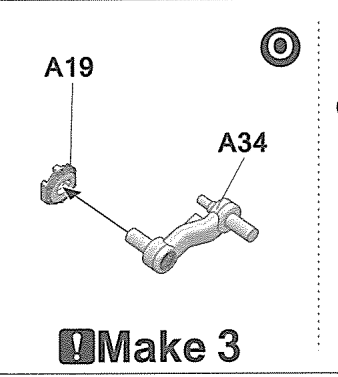
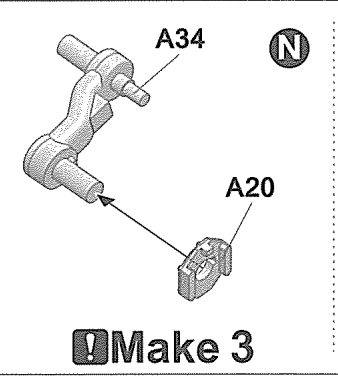
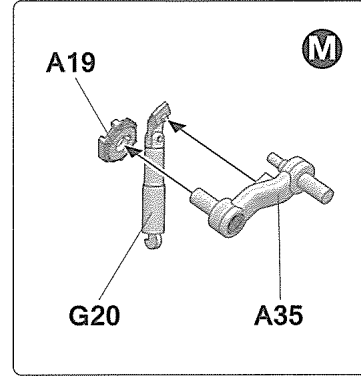
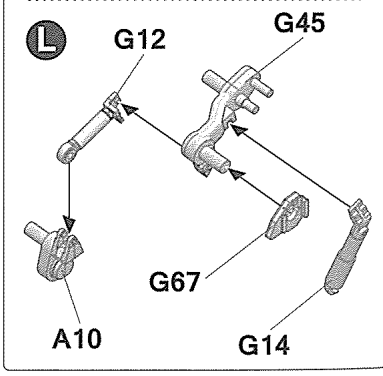
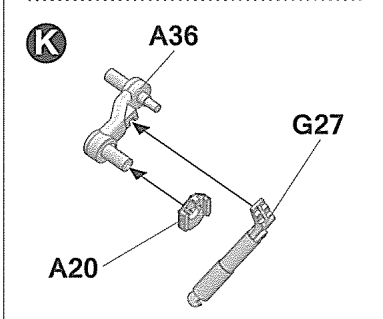
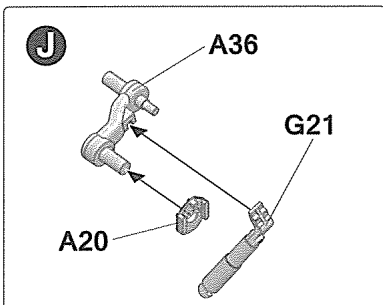
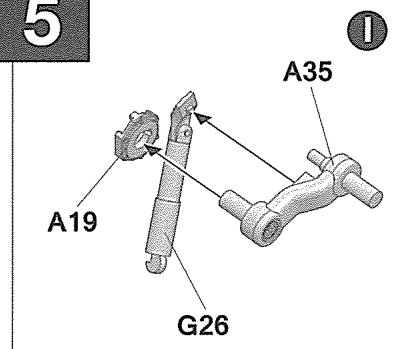
G13

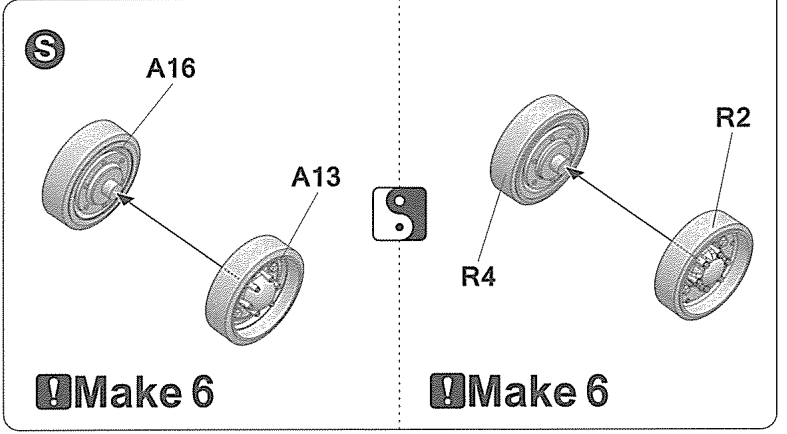
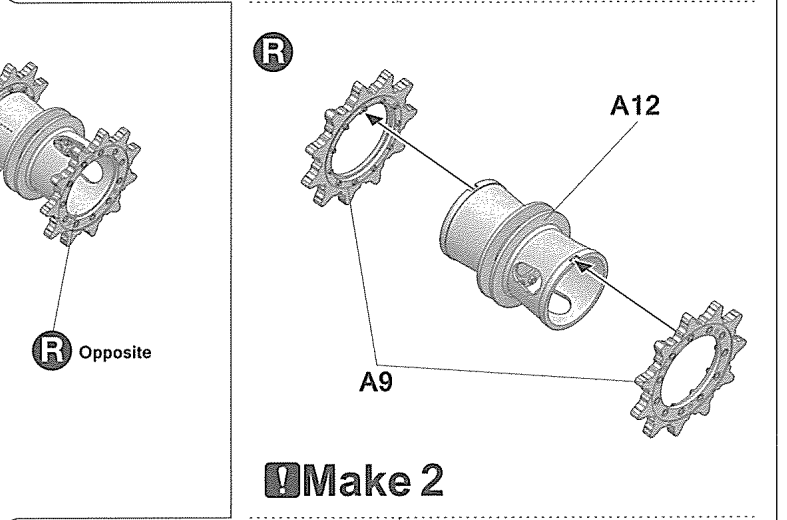
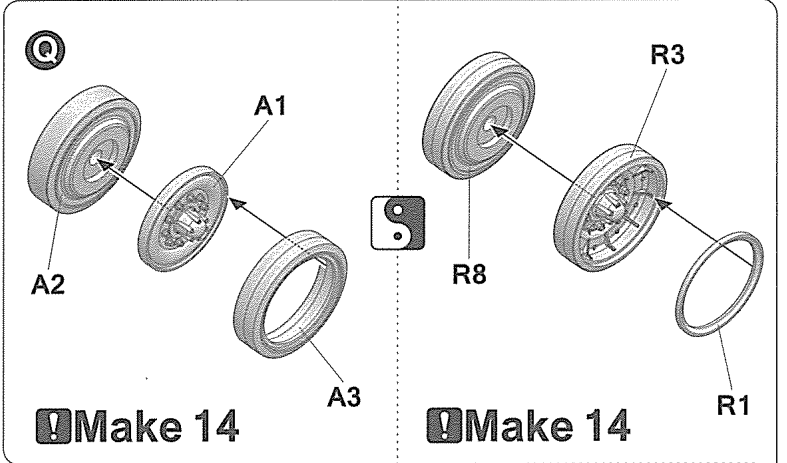
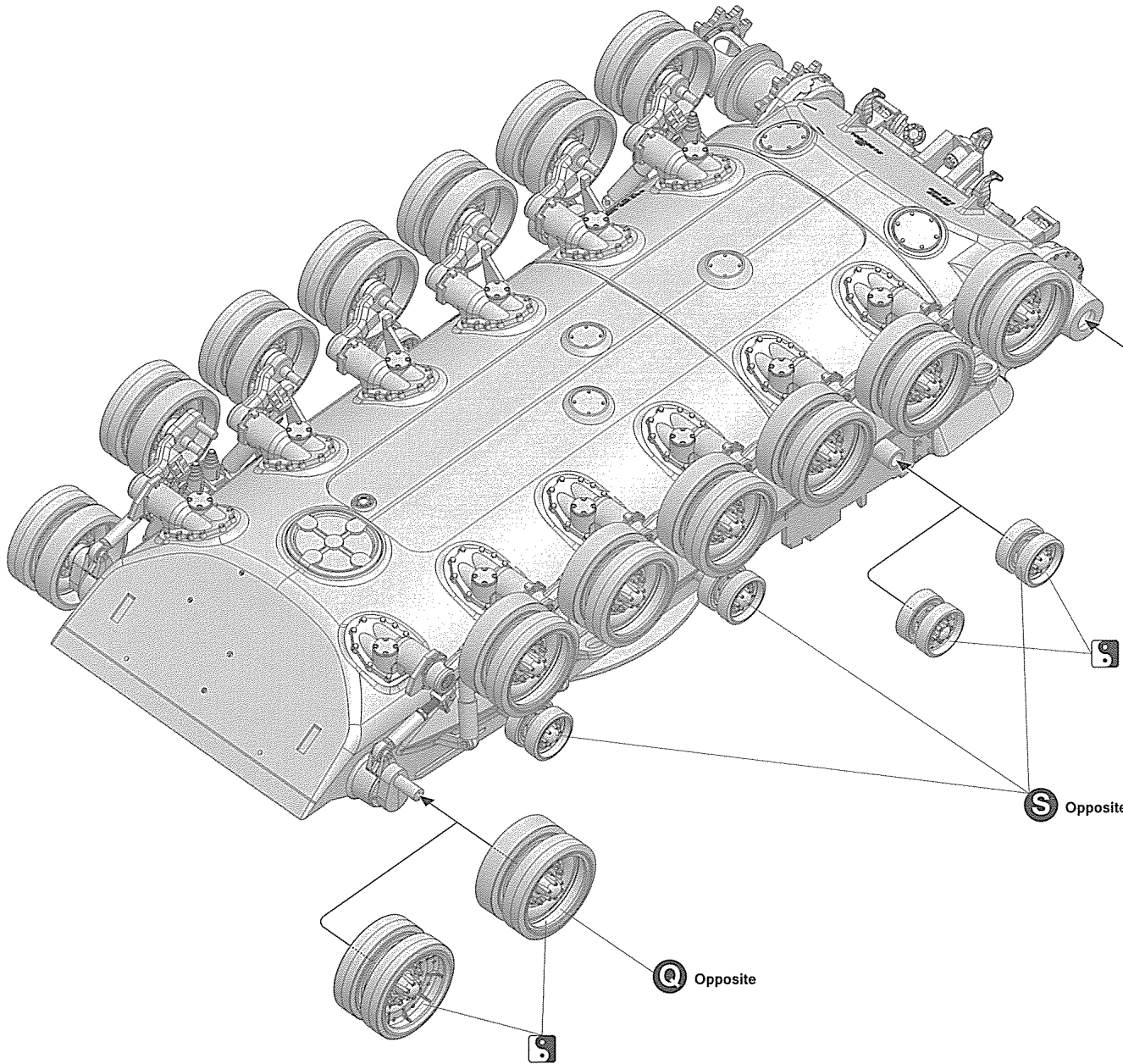
A10

P

G46

G15

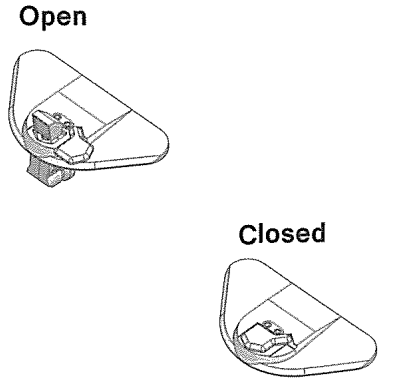
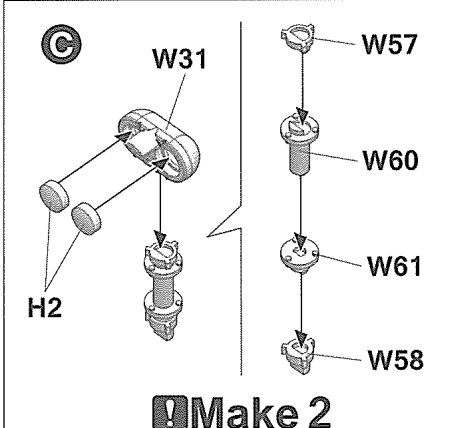
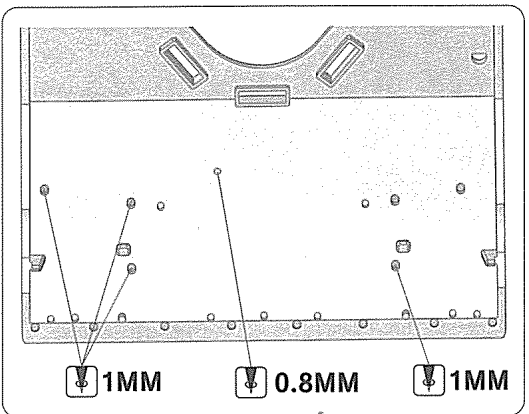
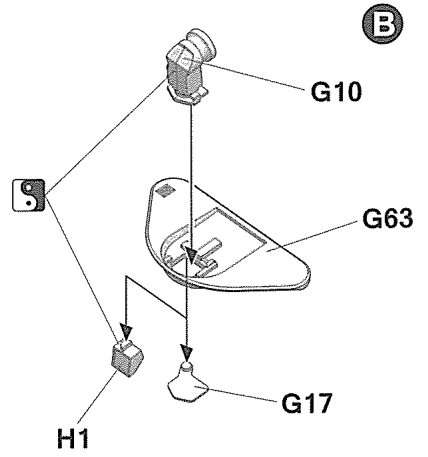
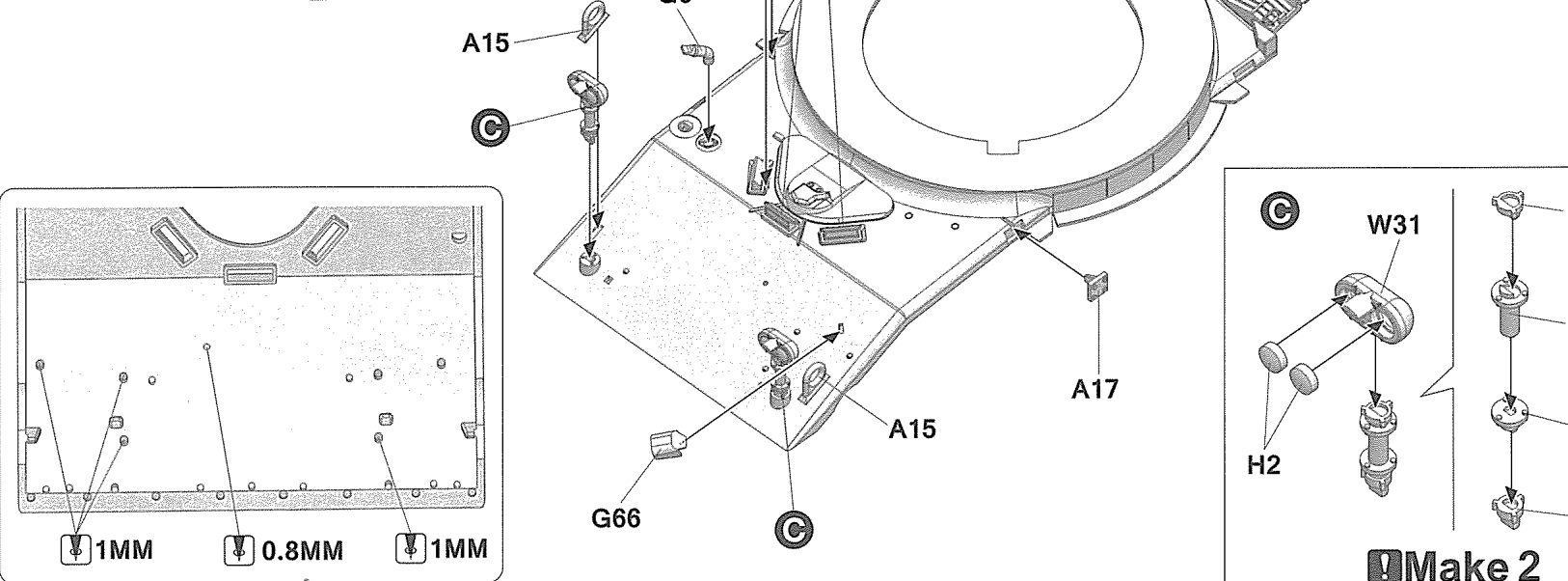
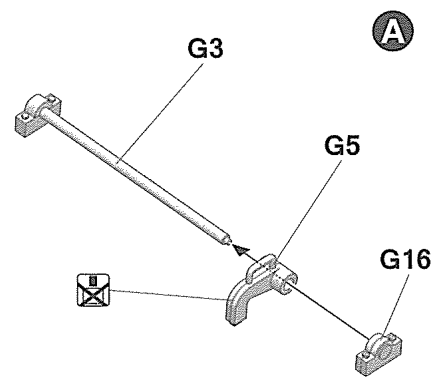
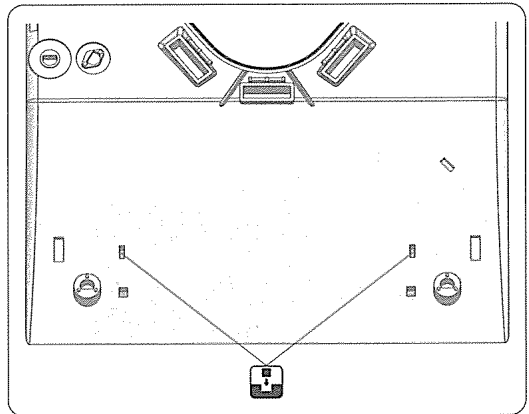
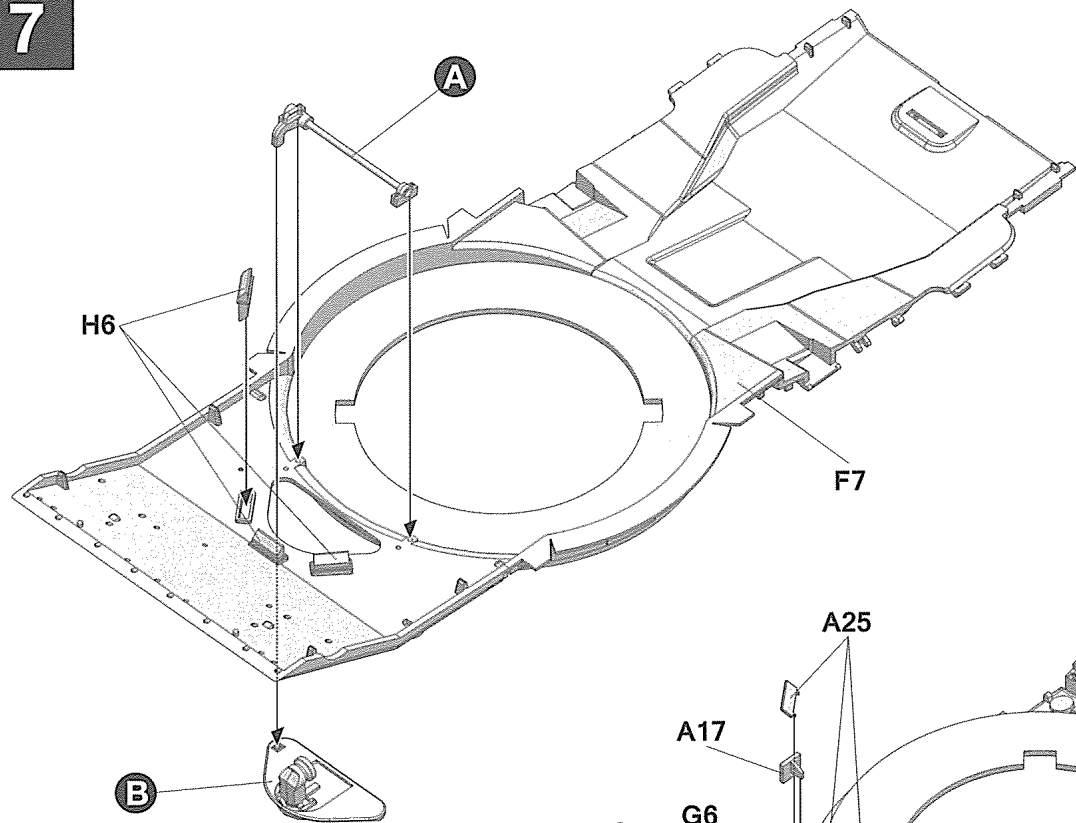




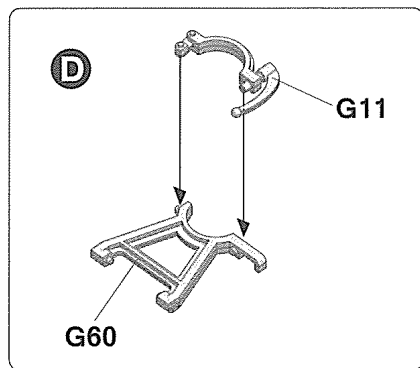
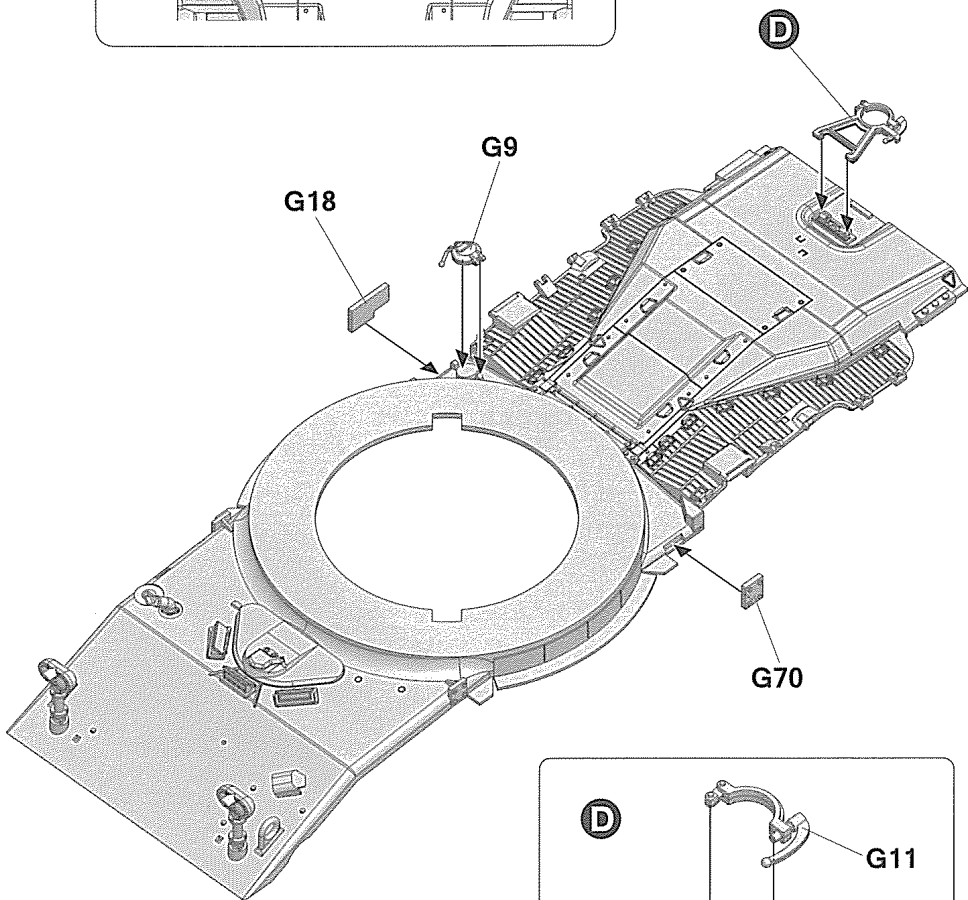
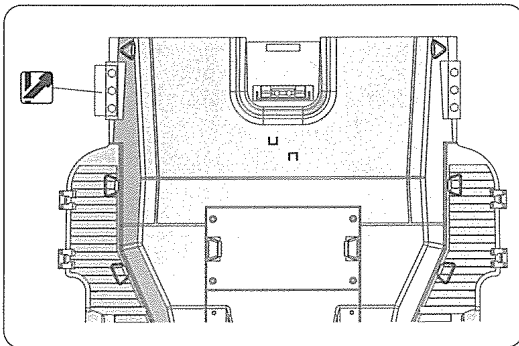
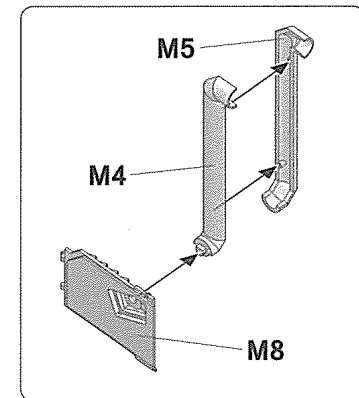
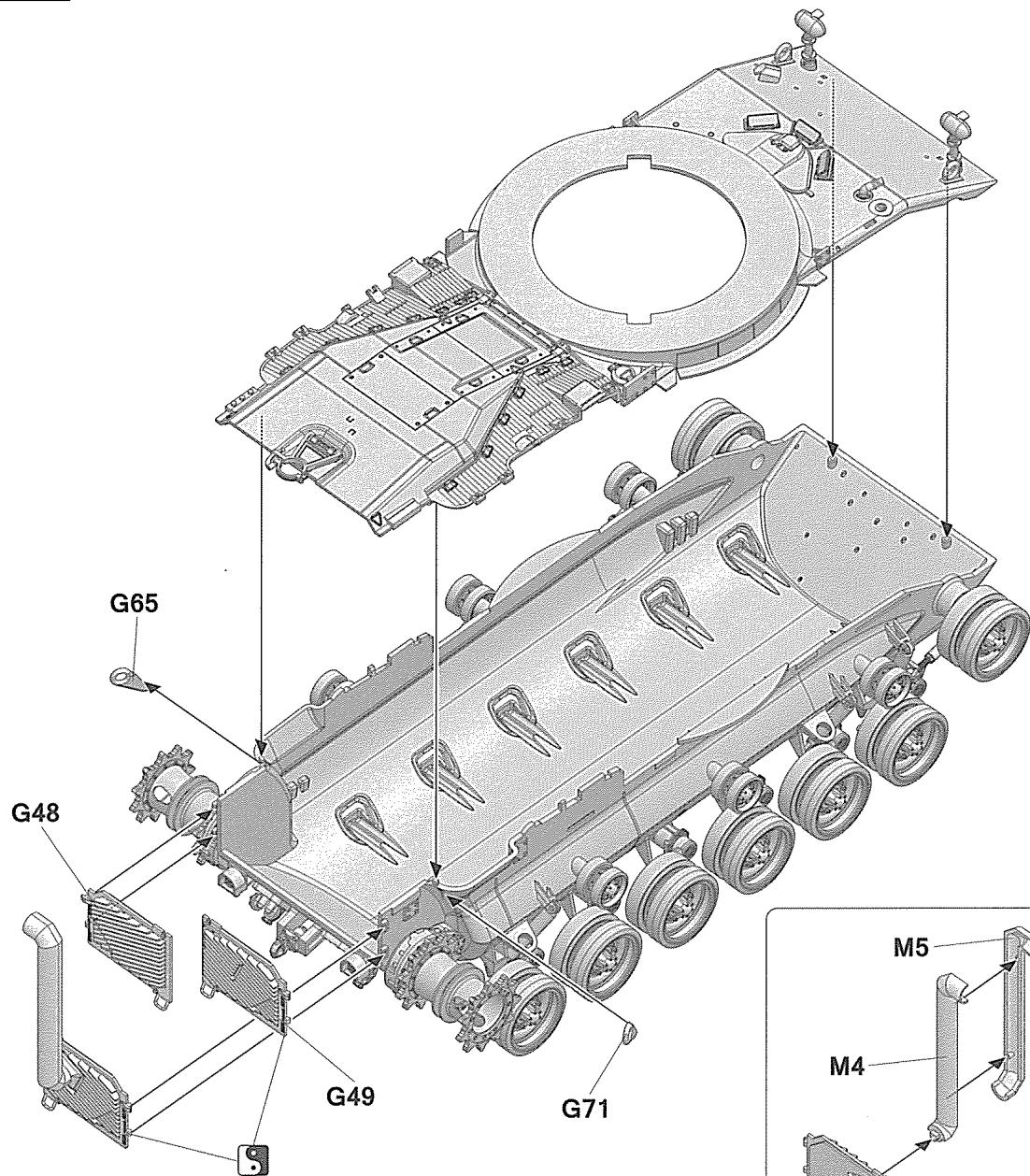
R Opposite

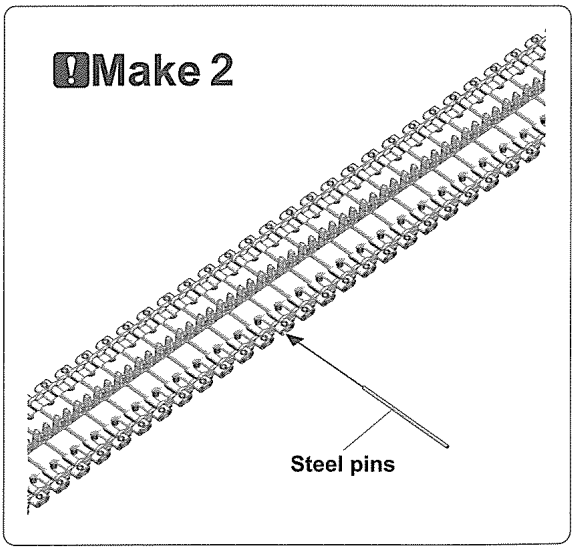
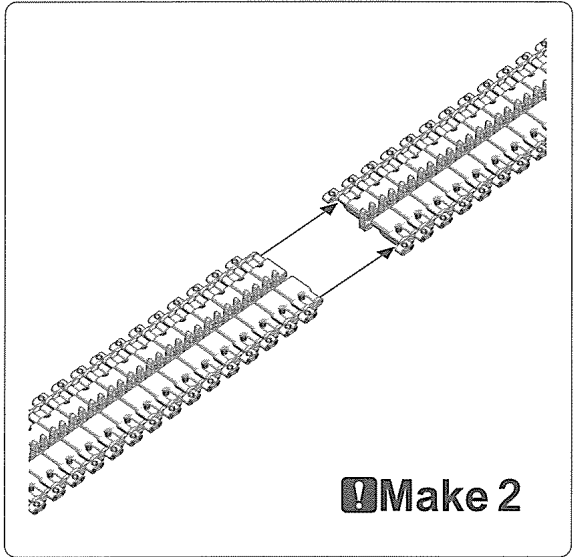
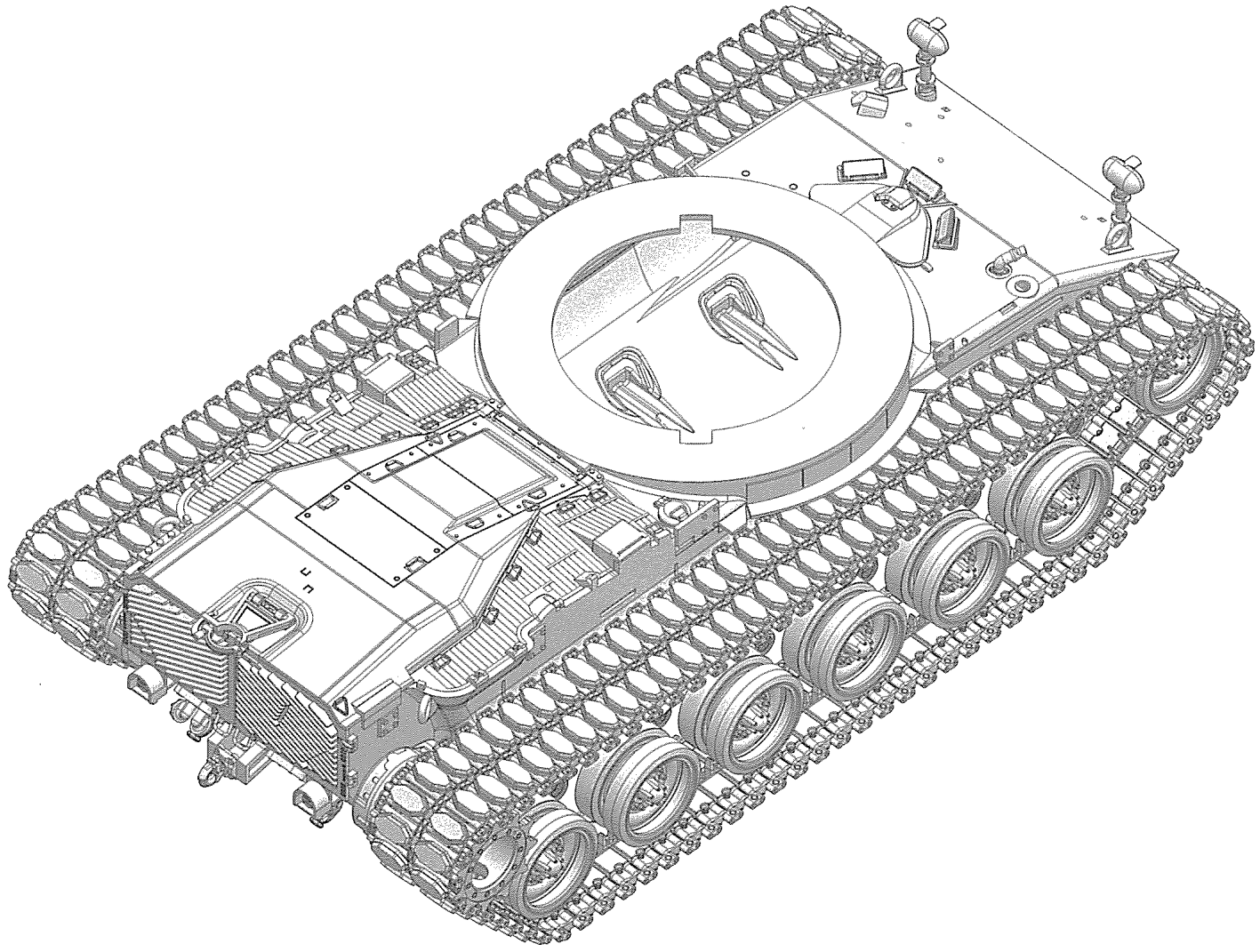
S Opposite

Q Opposite

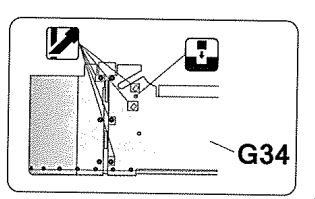
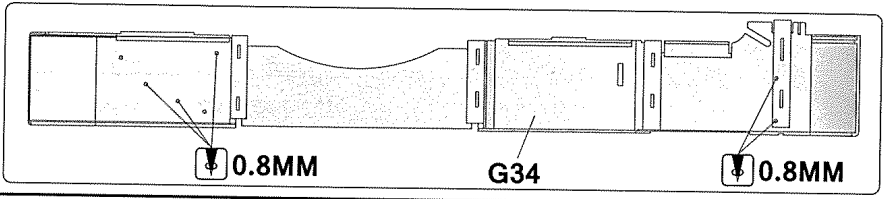
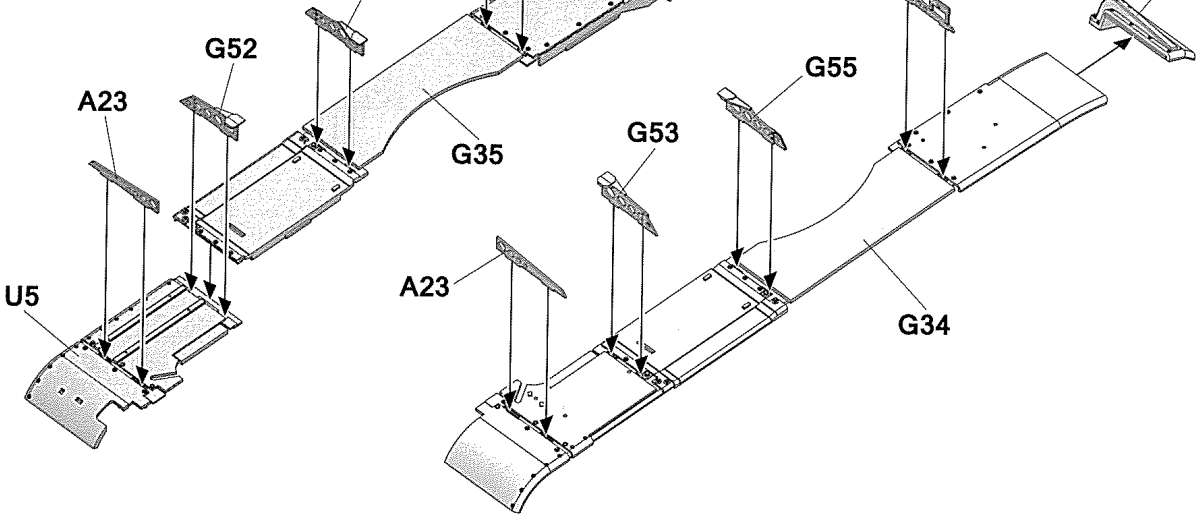
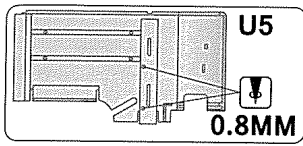
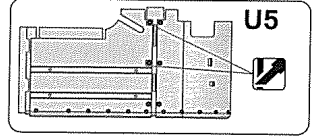


Make 2

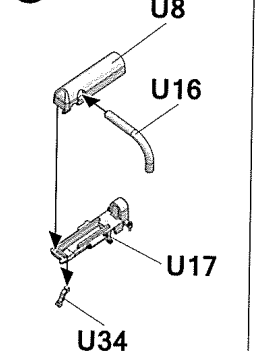
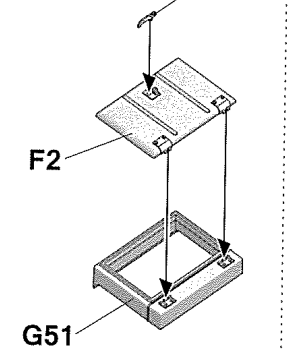
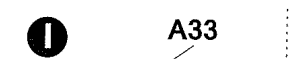
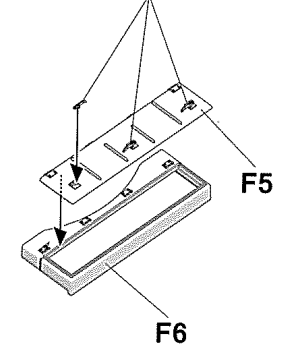
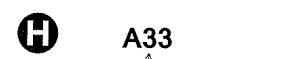
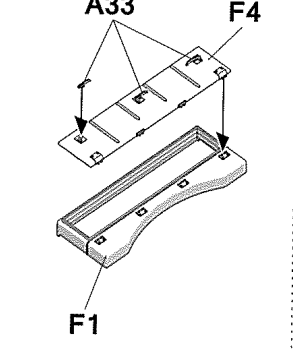
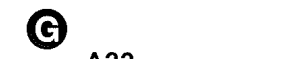
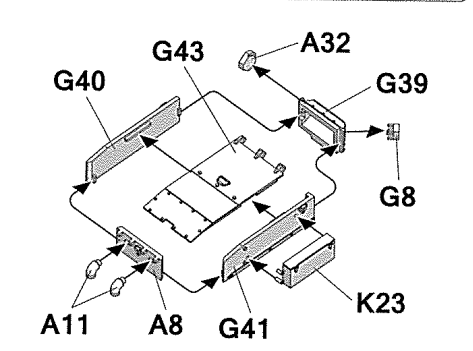
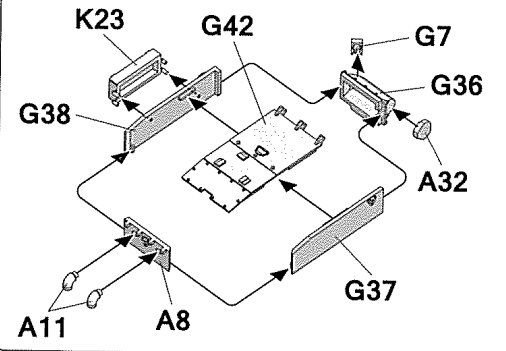
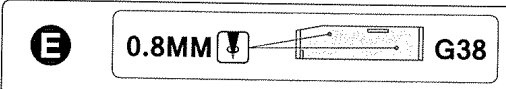
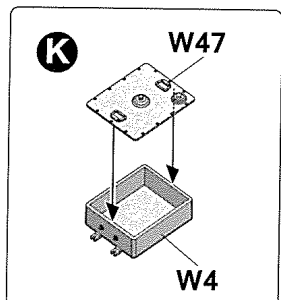
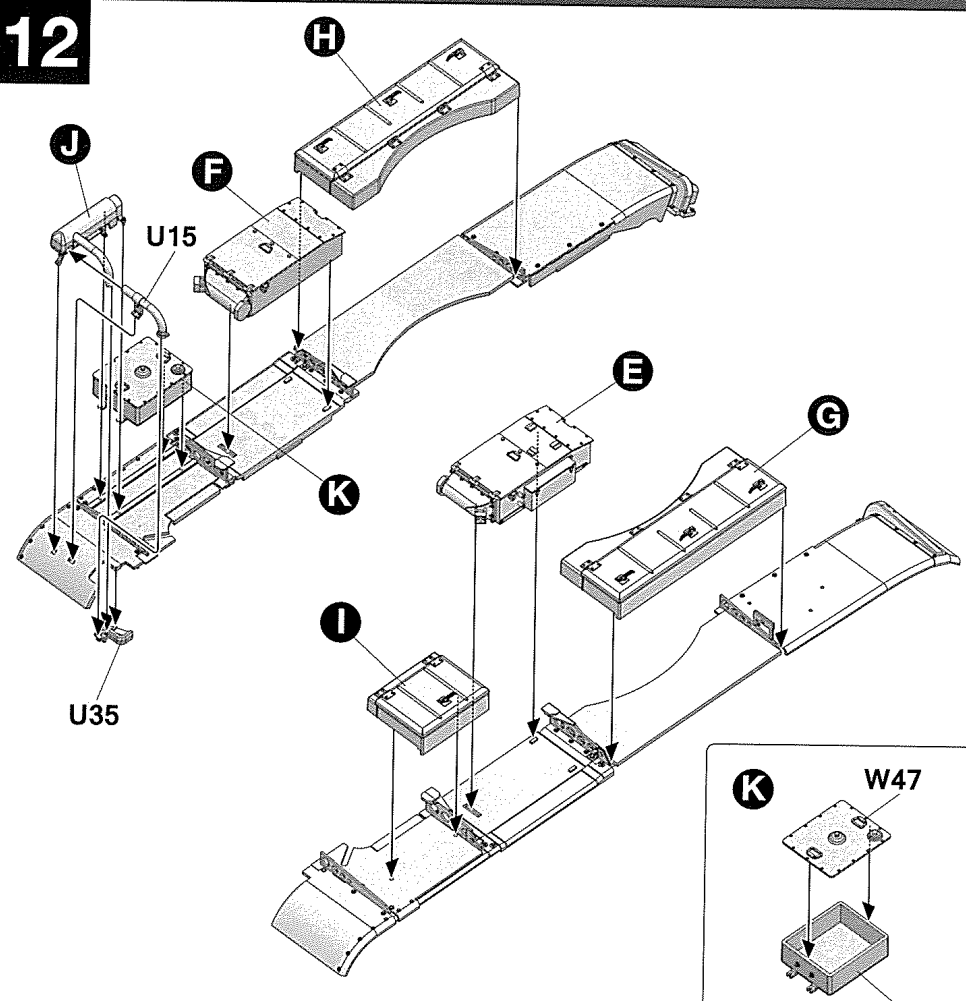
8**9**

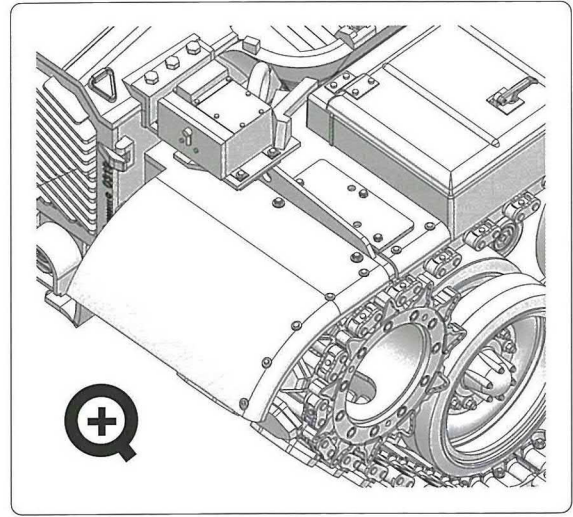
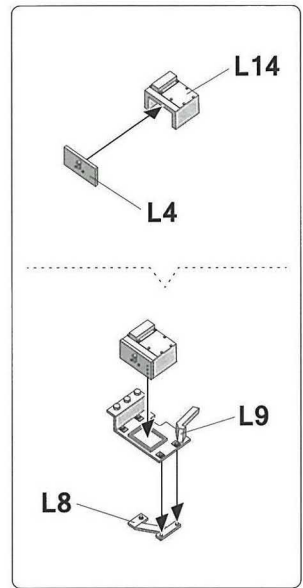
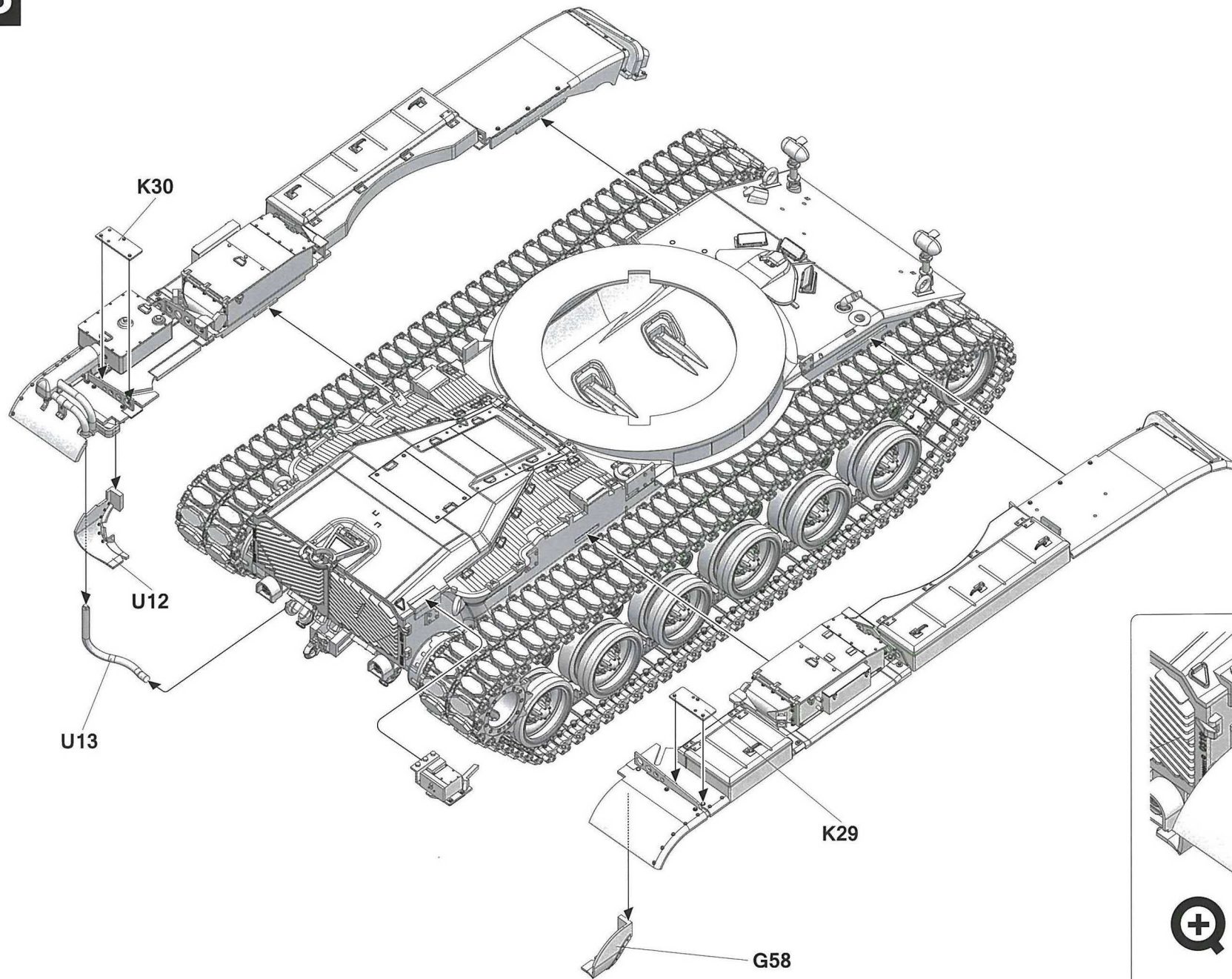


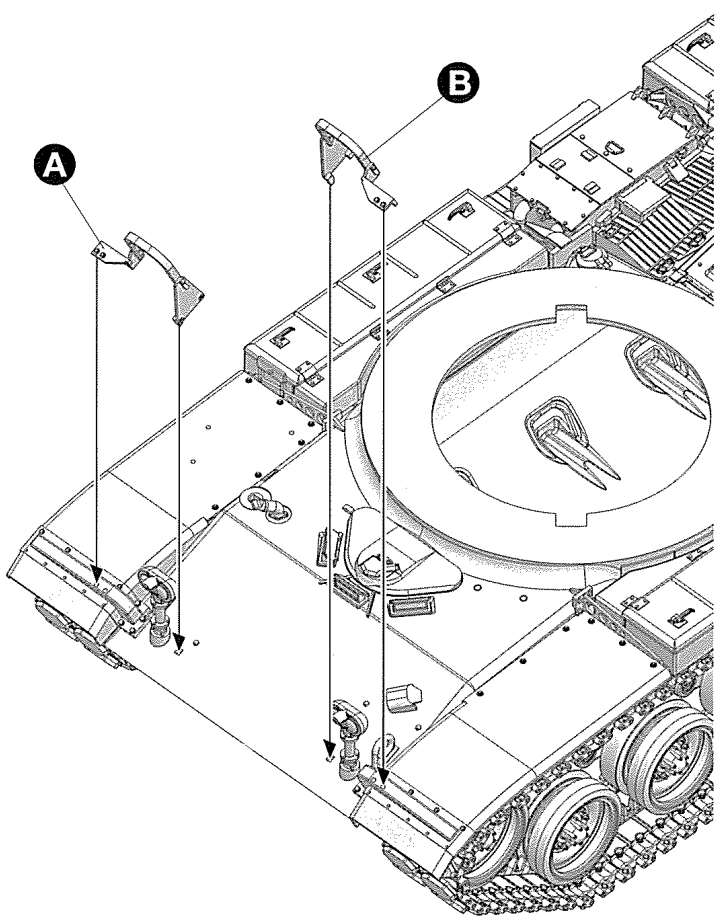
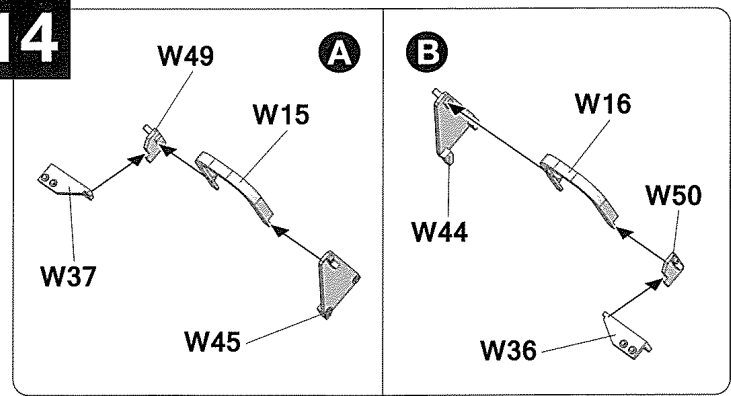
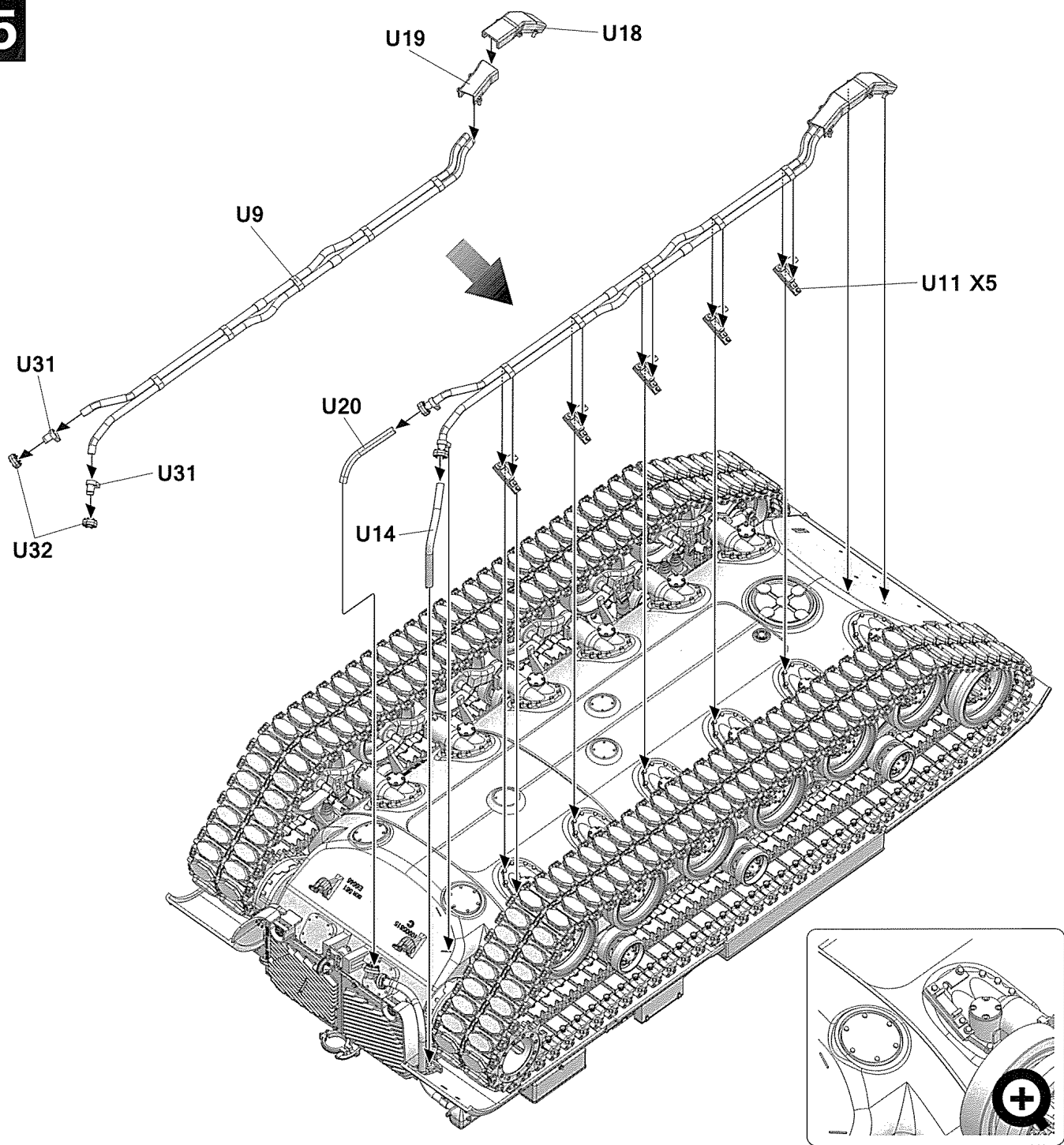
11



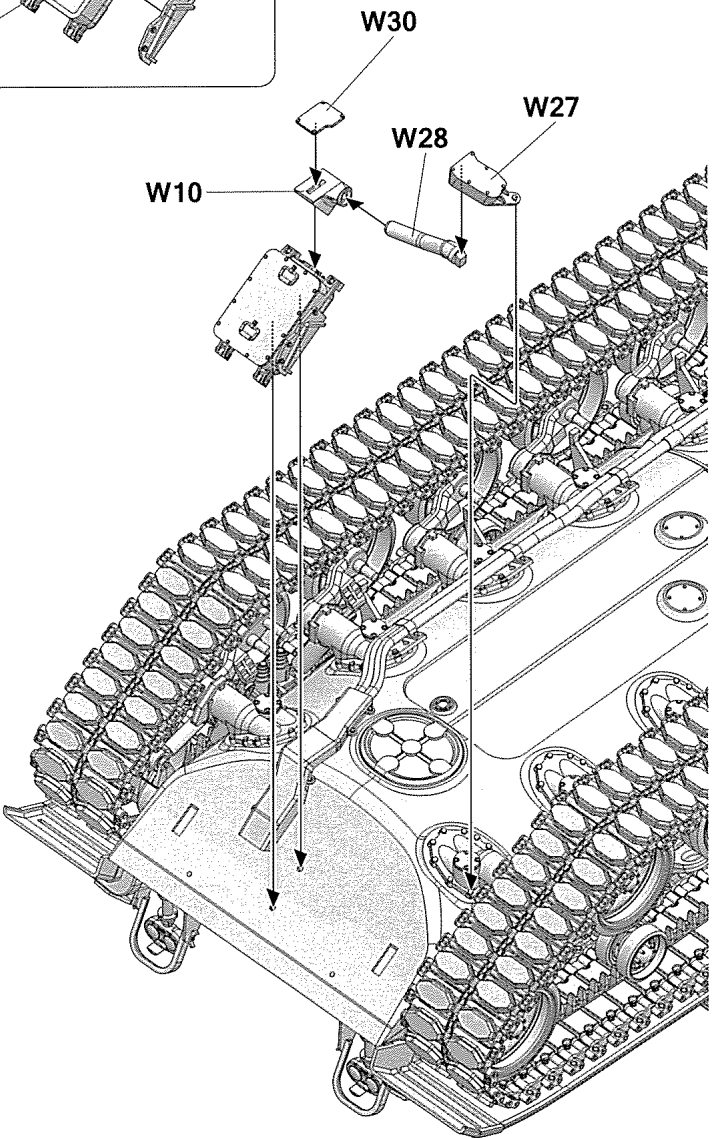
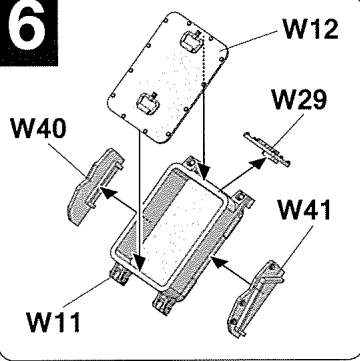
12



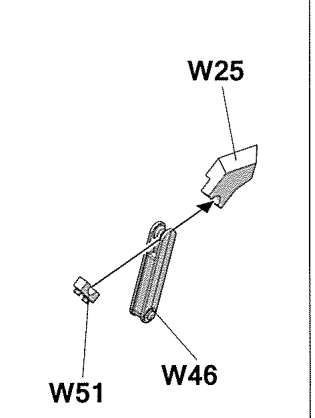
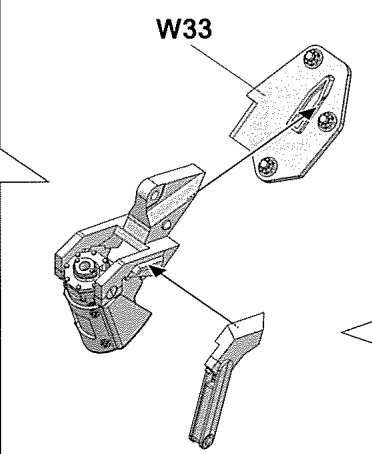
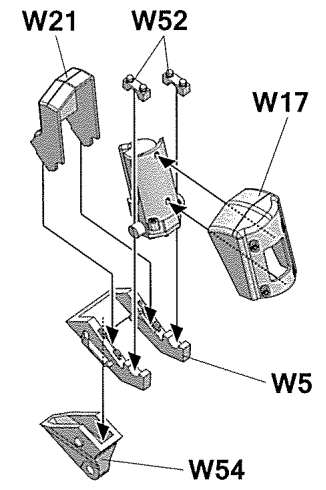
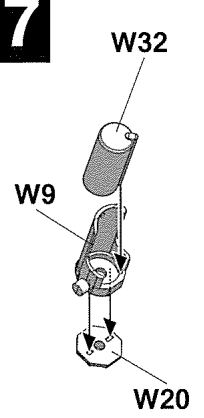


14**15**

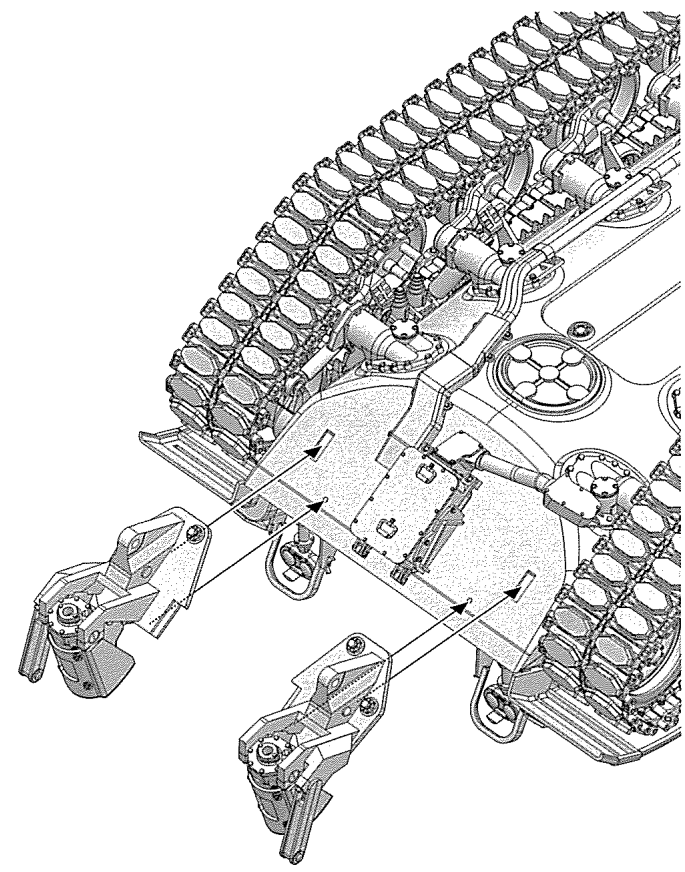
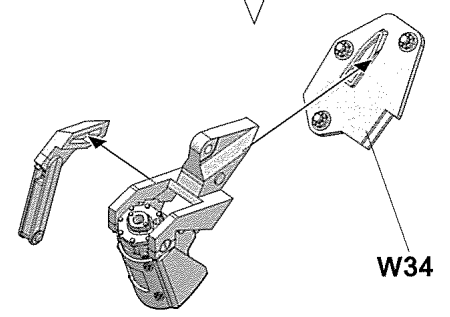
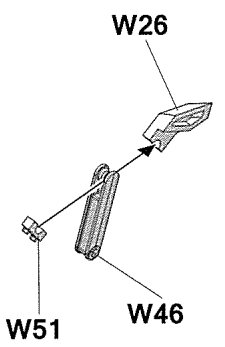
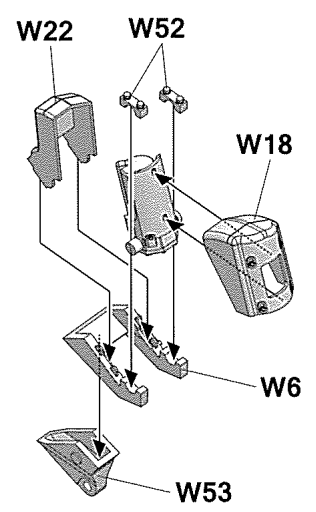
16



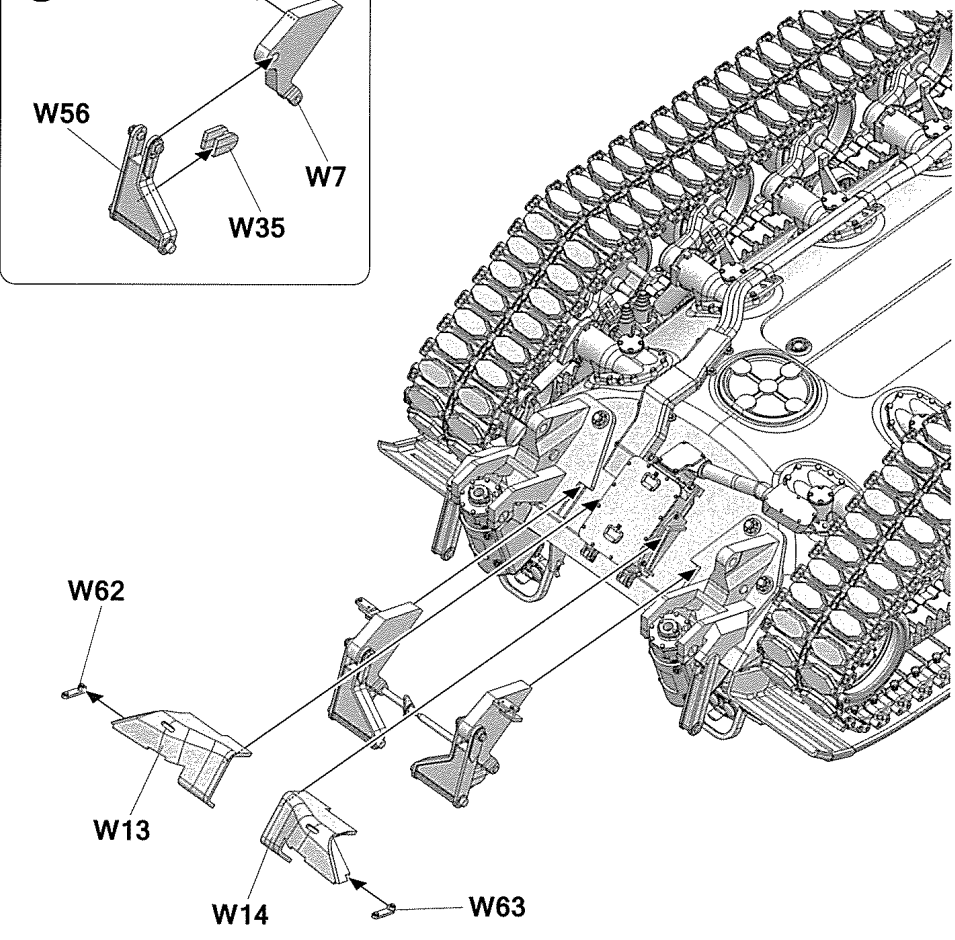
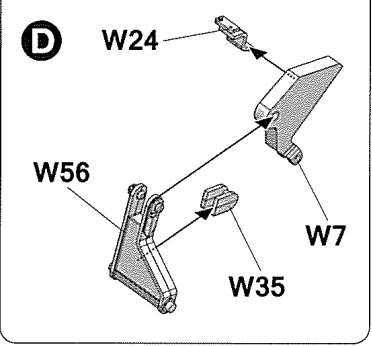
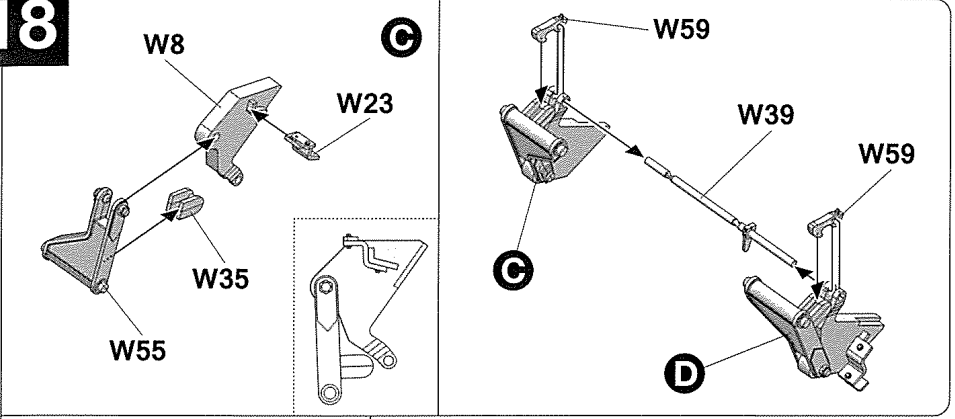
17



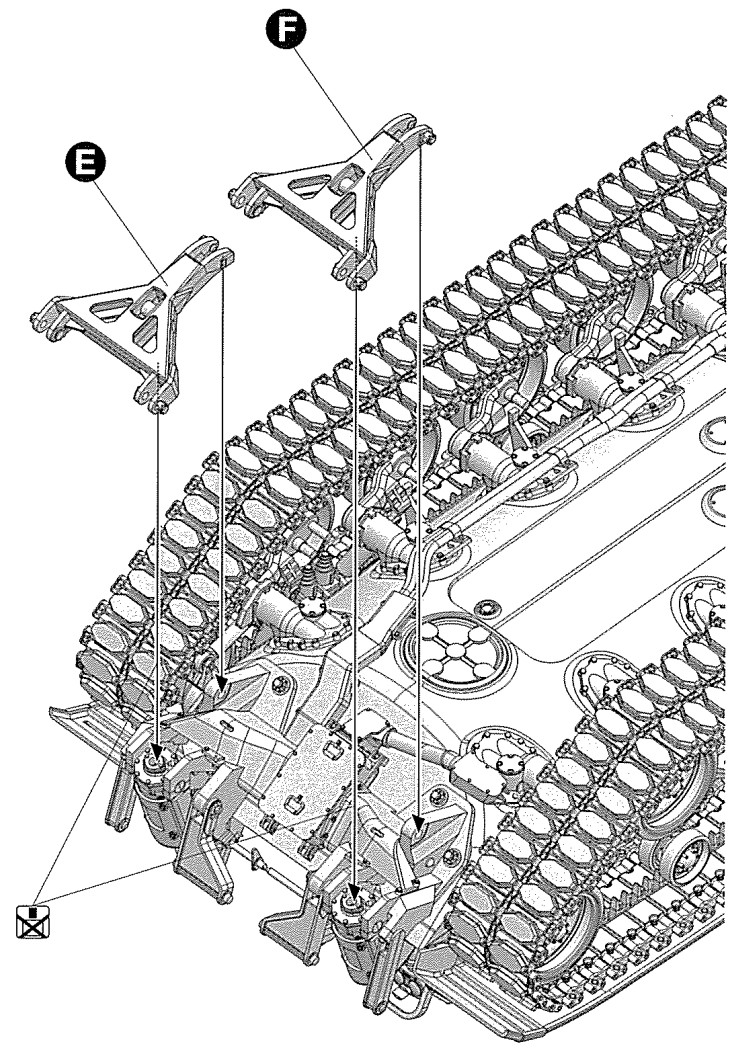
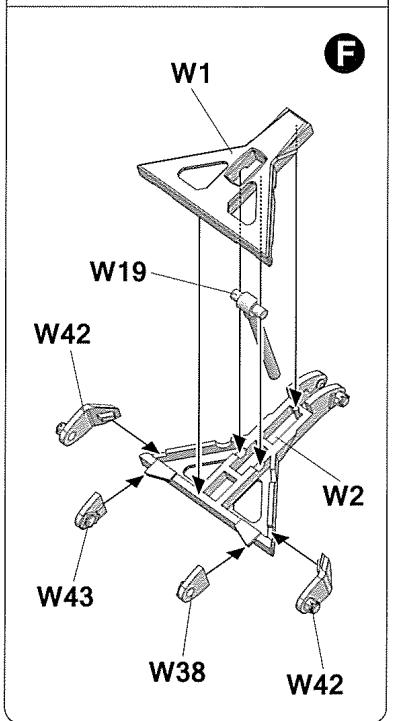
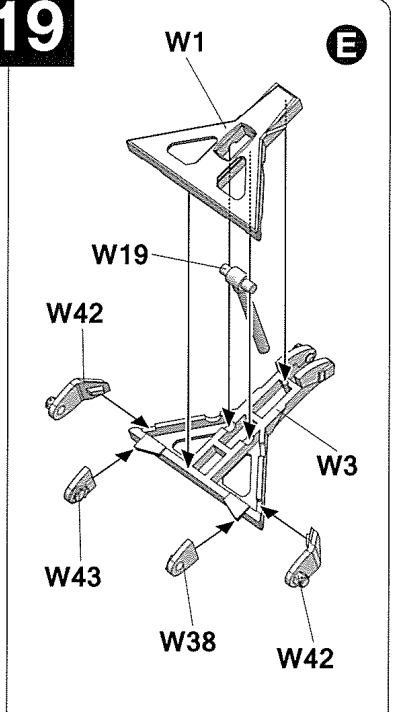
Make 2

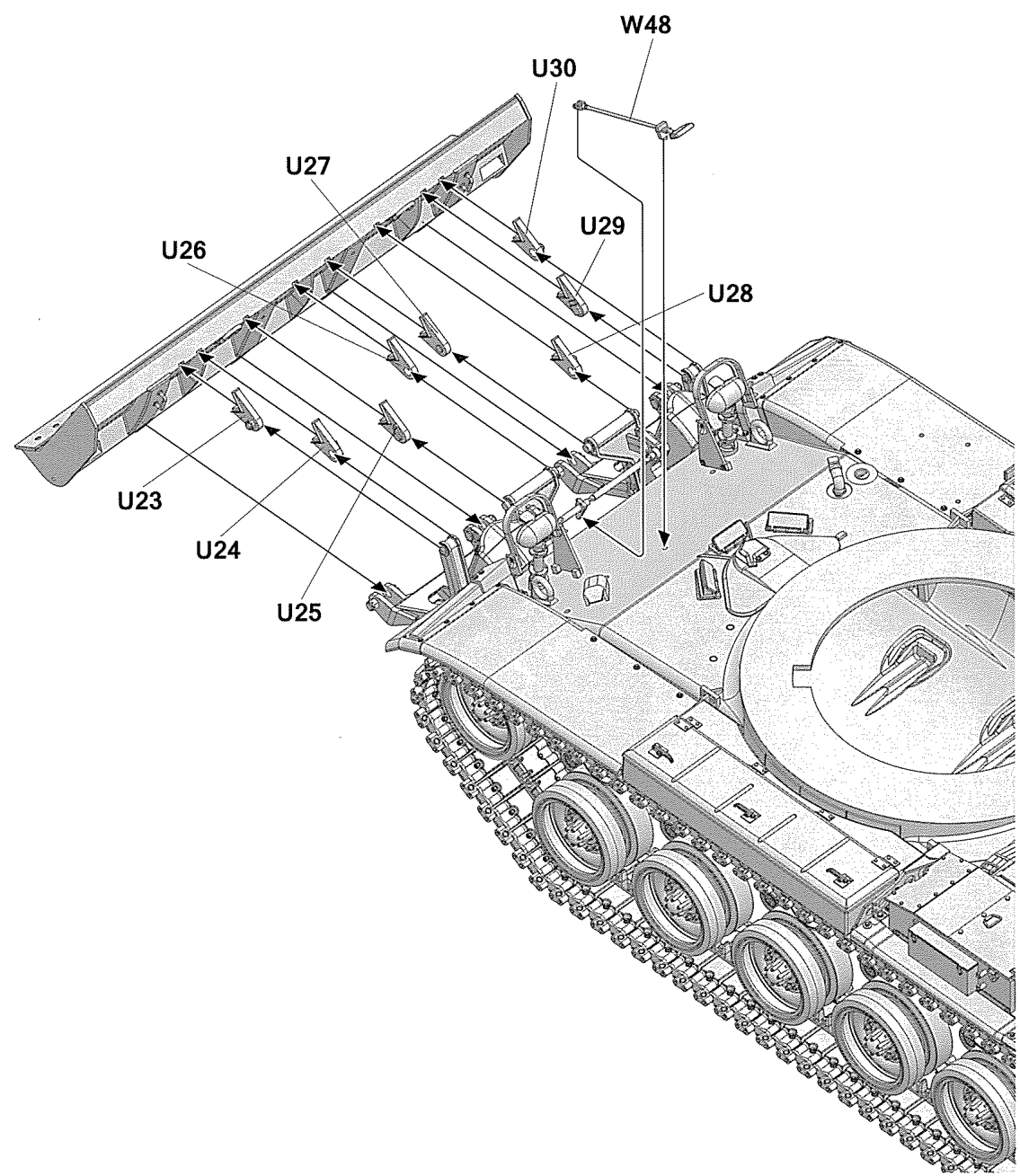
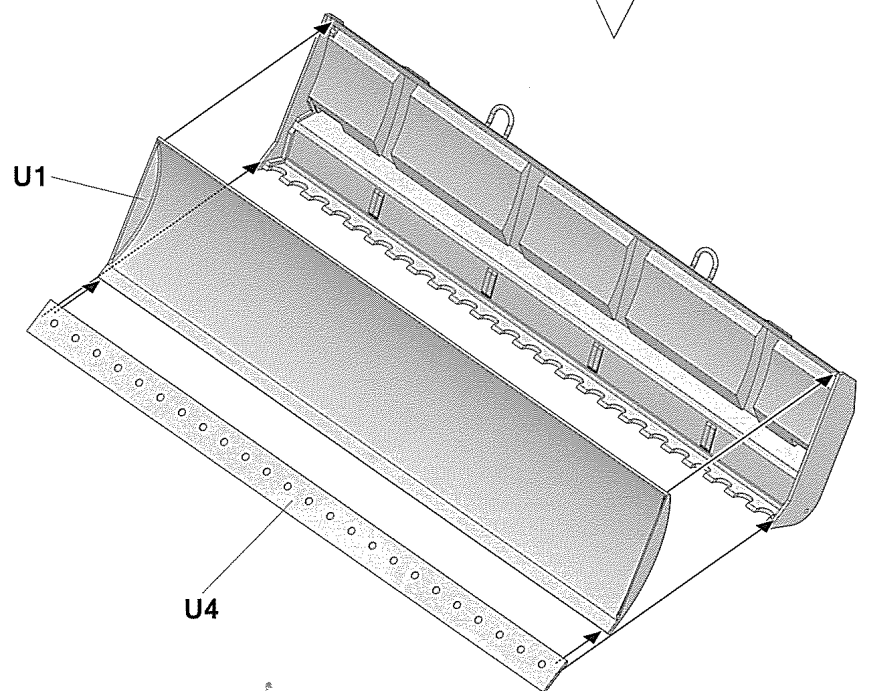
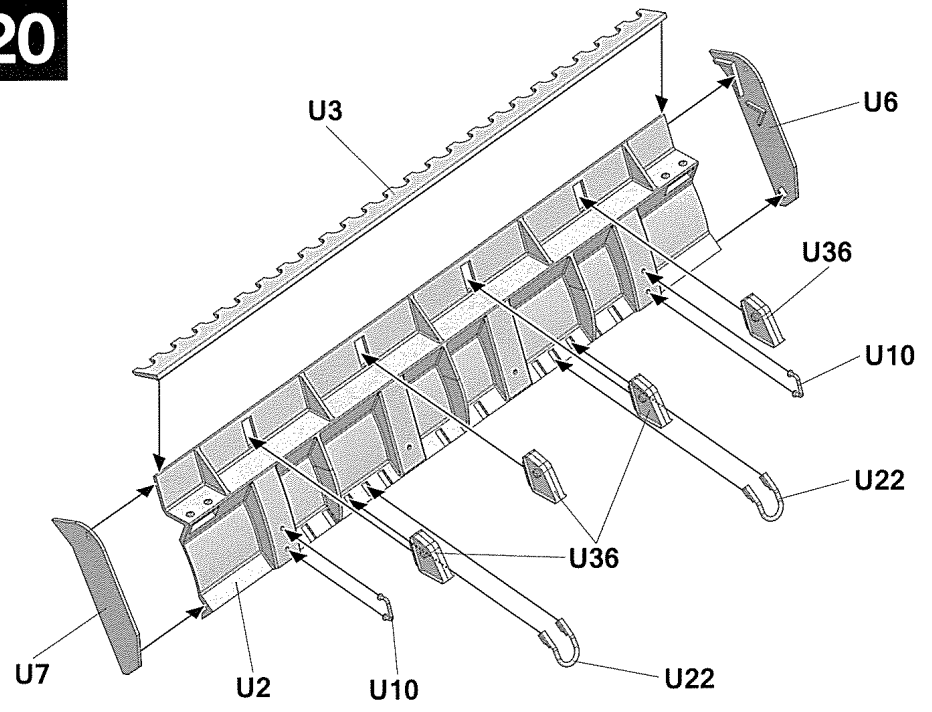


18

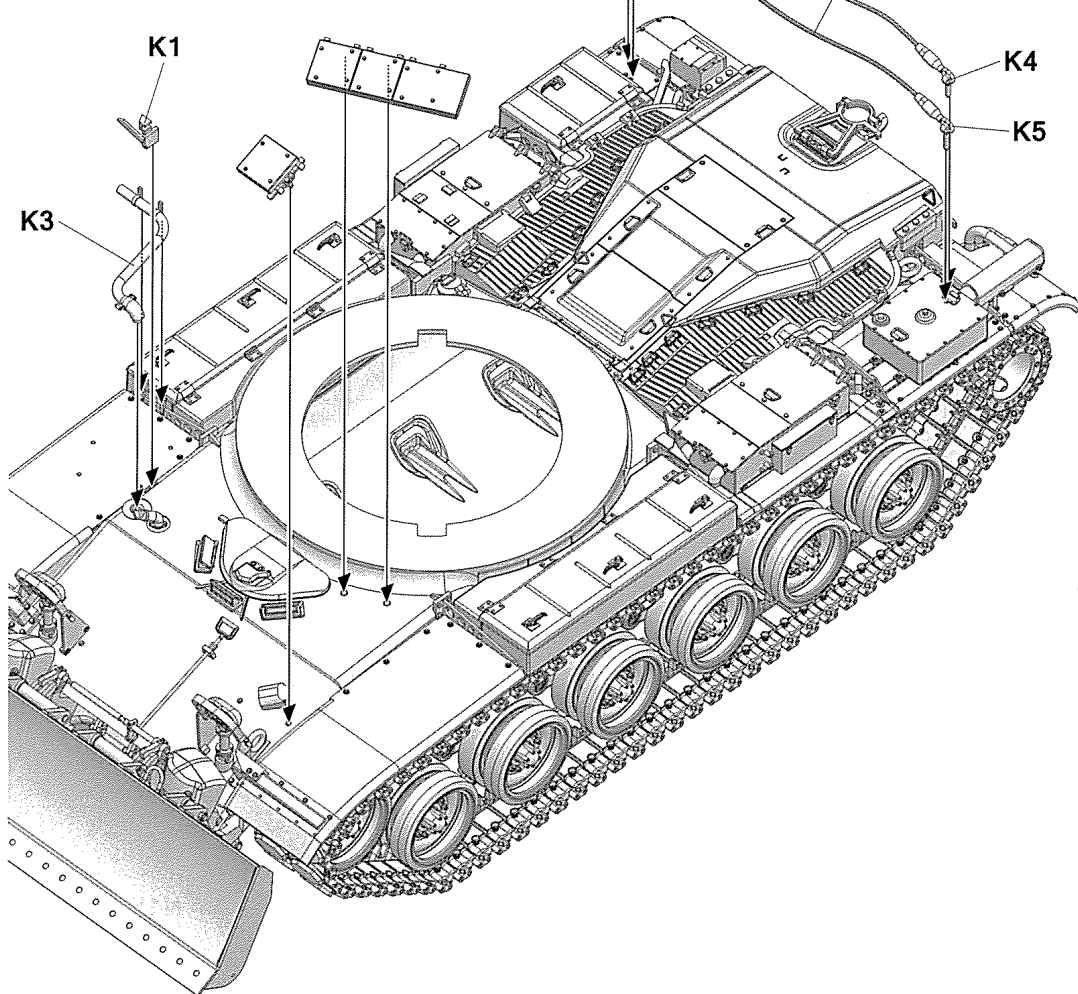
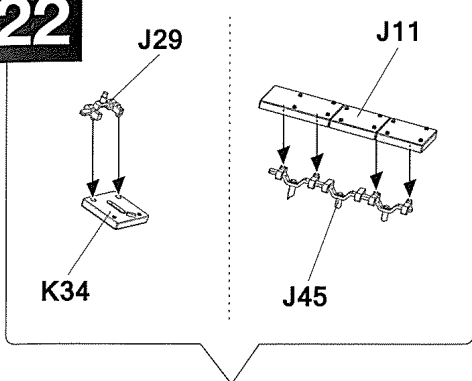


19

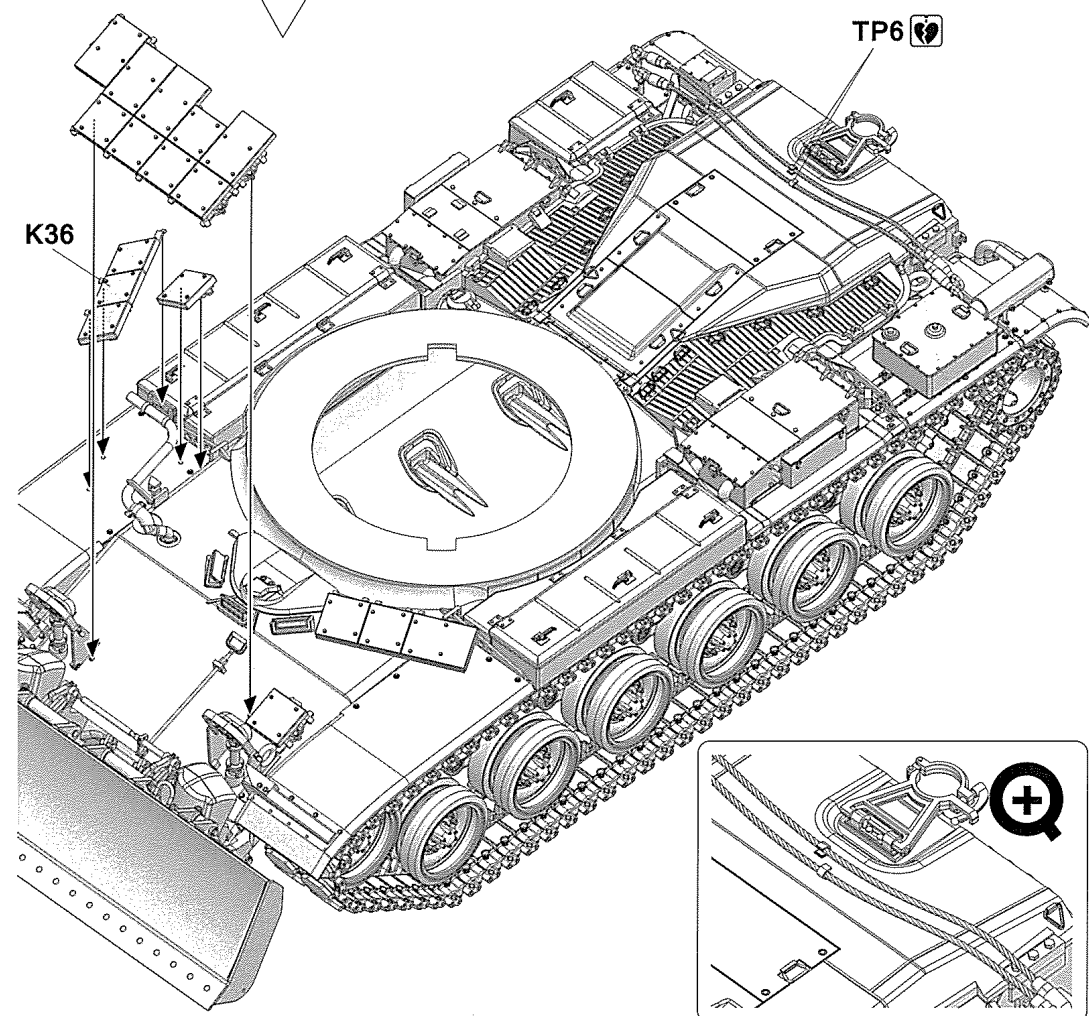
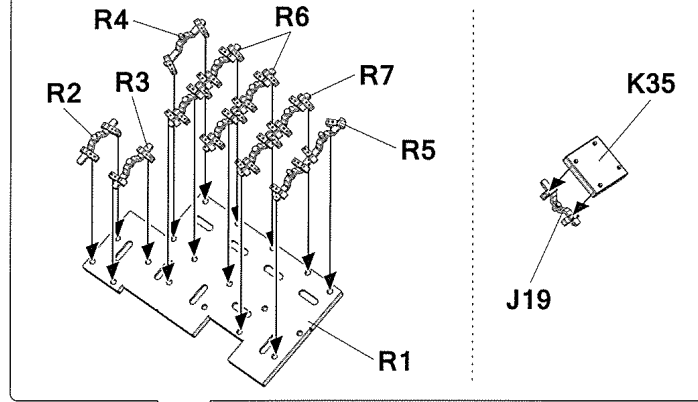




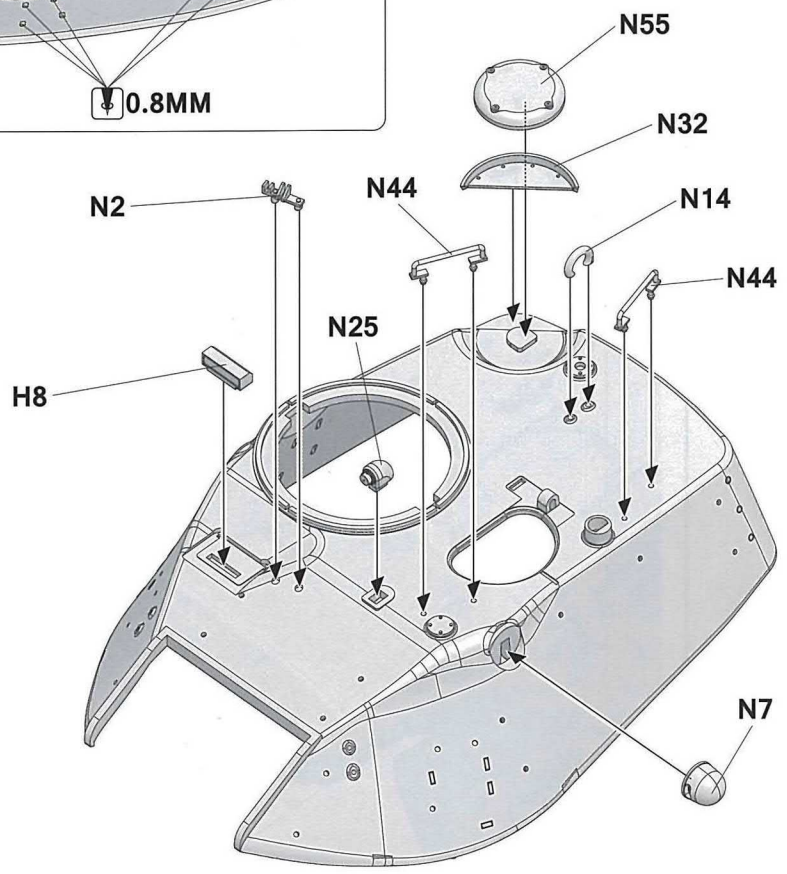
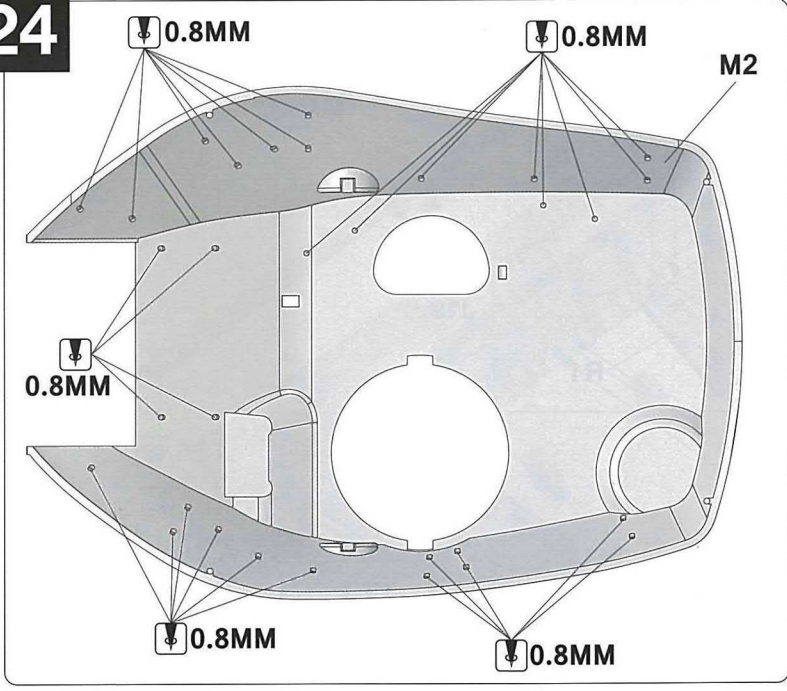
22



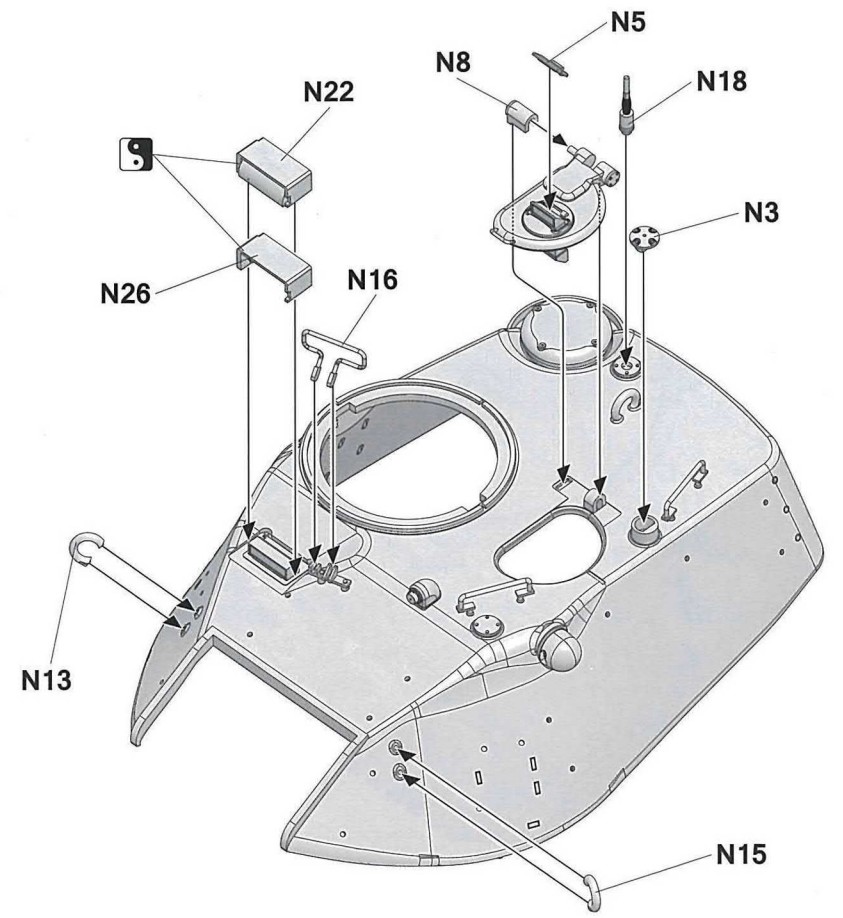
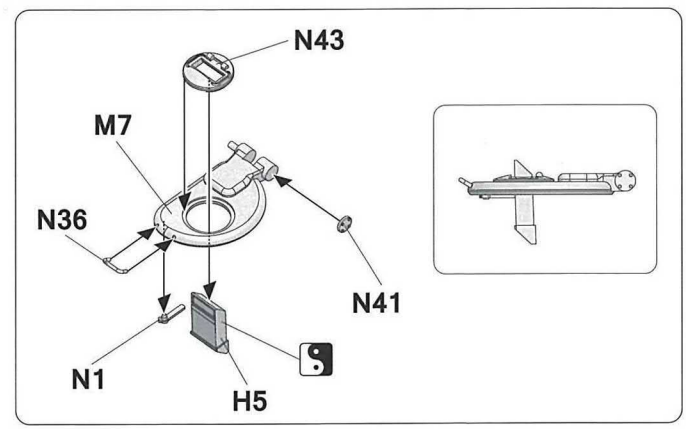
23

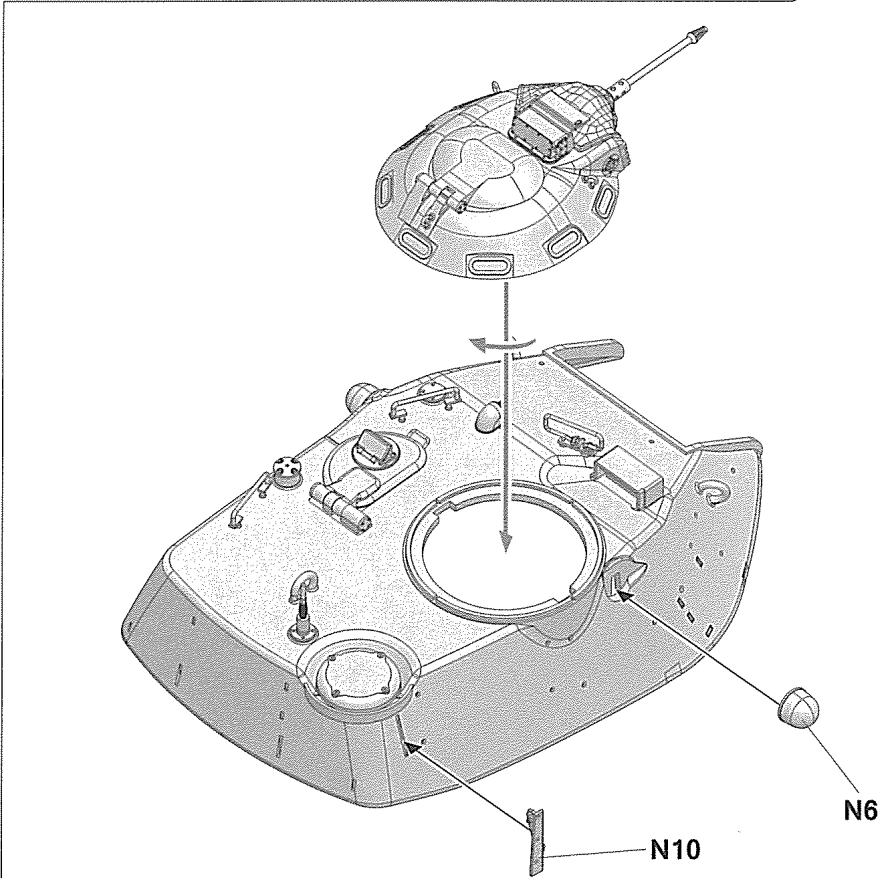
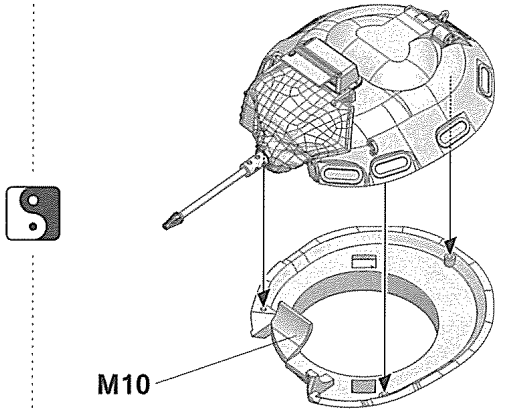
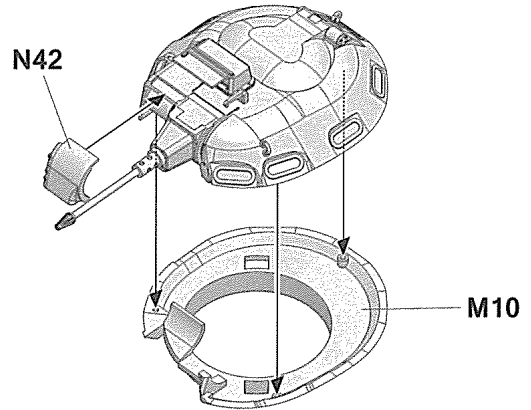
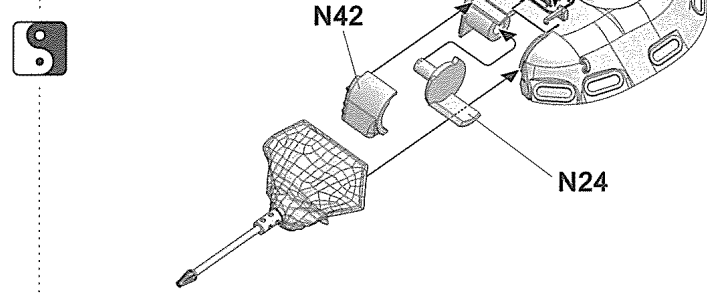
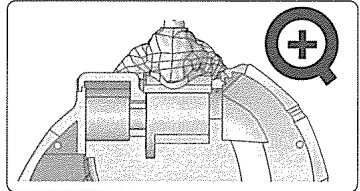
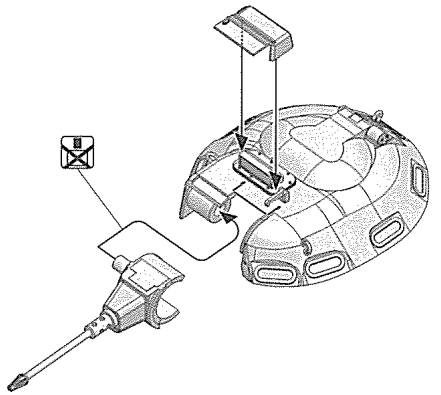
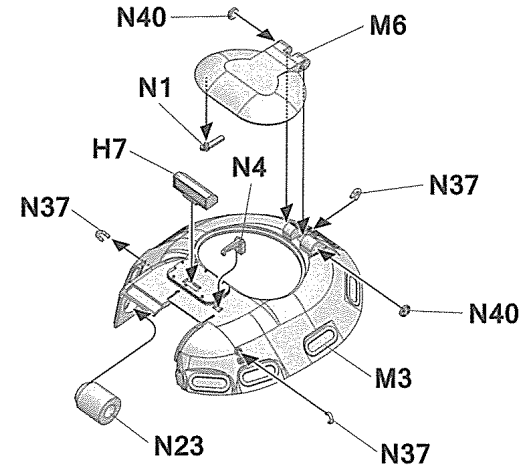
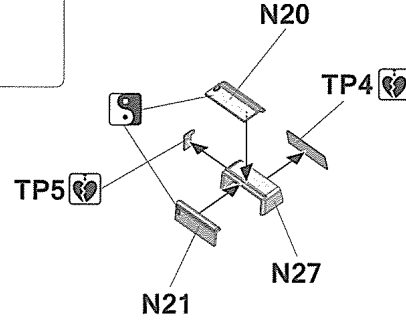
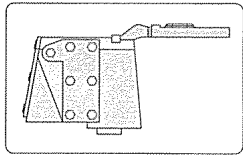
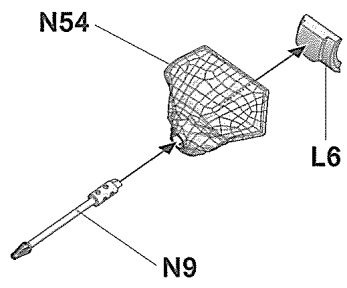
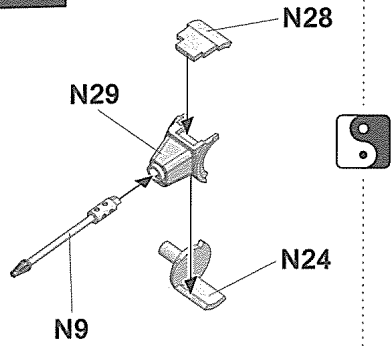


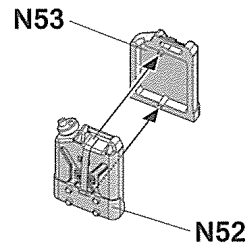
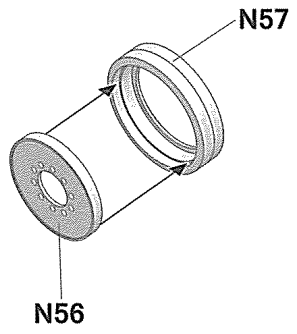
24



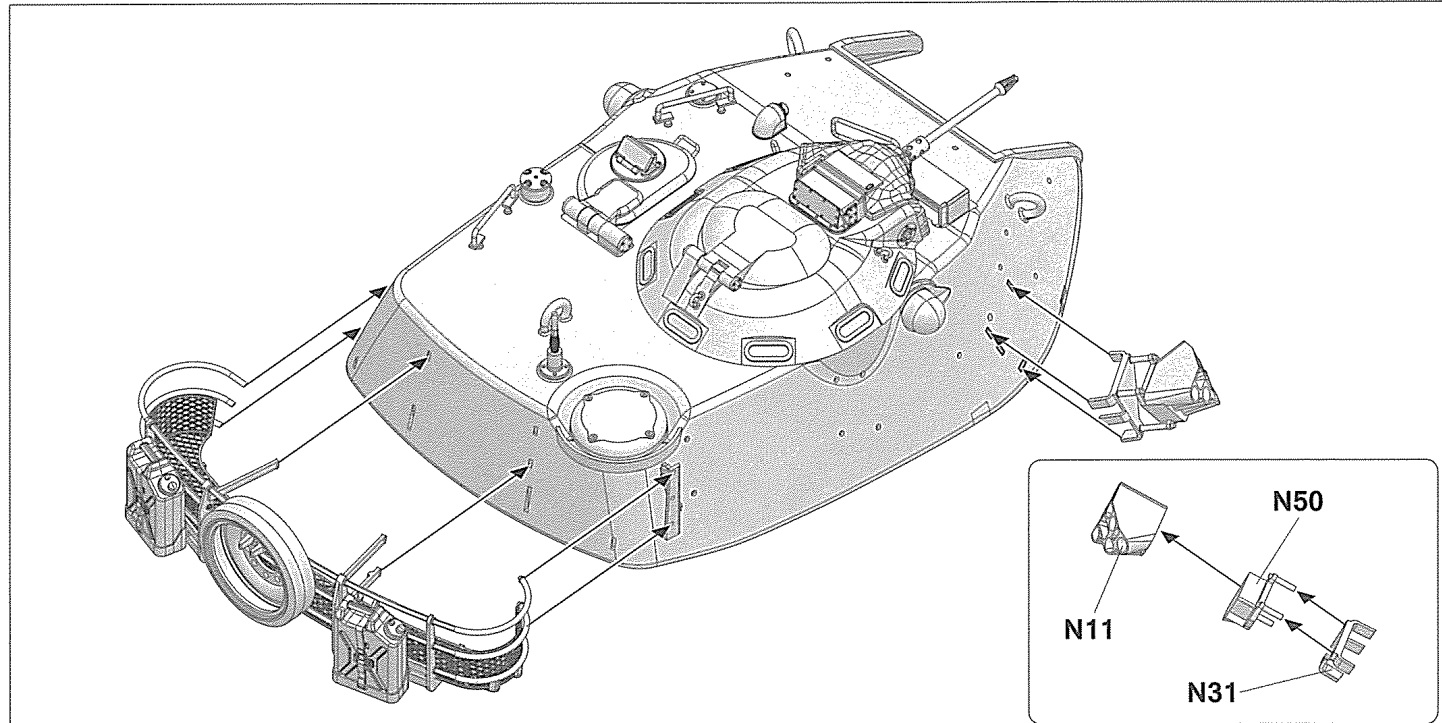
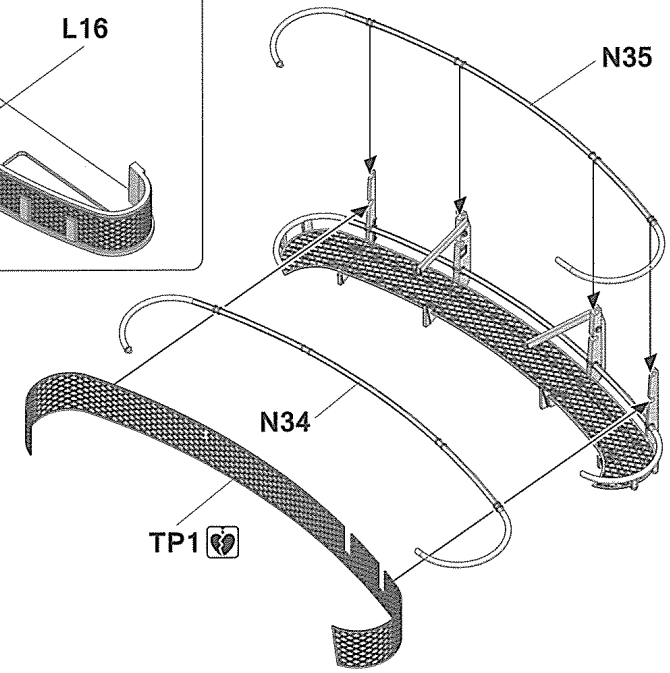
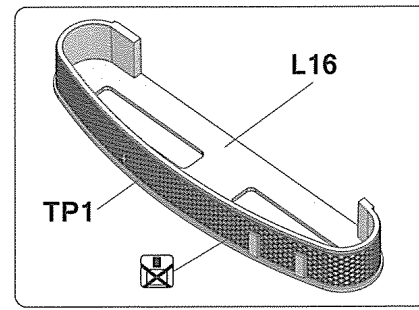
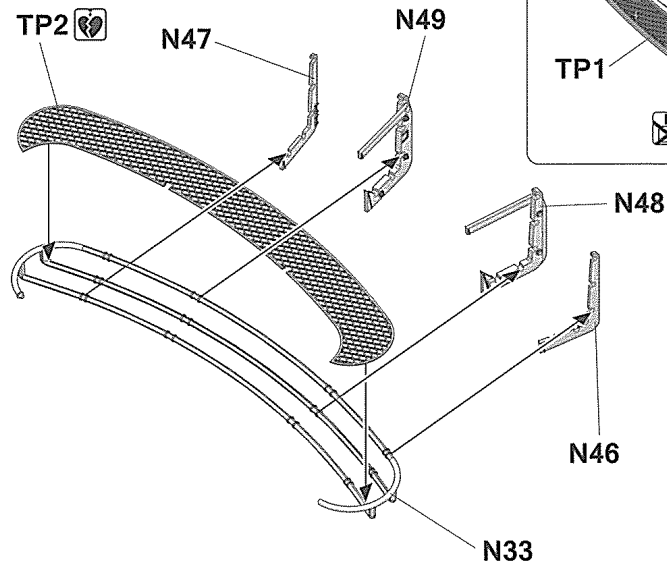
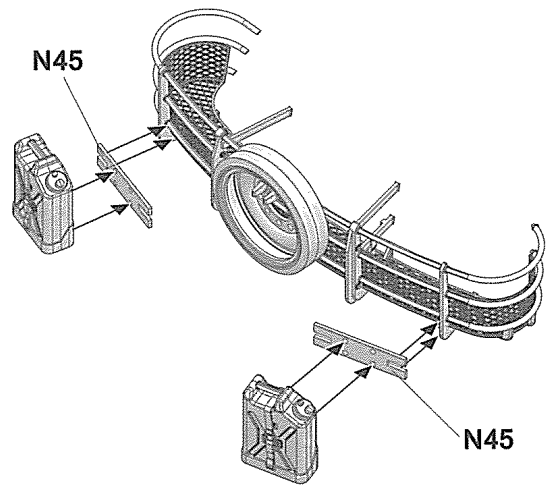
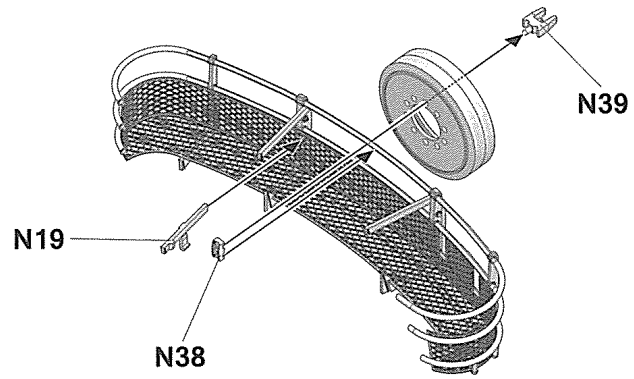
25

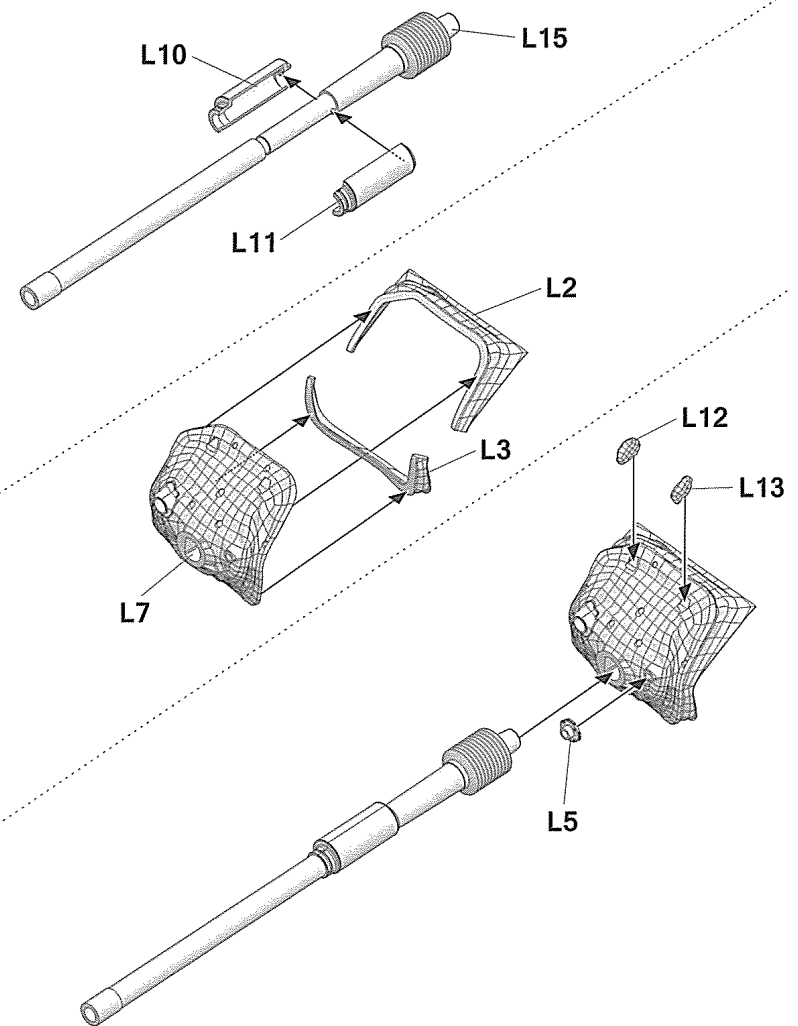
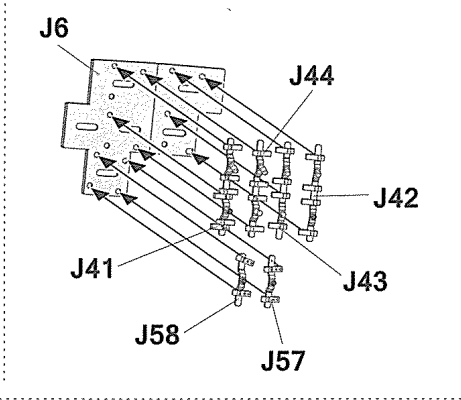
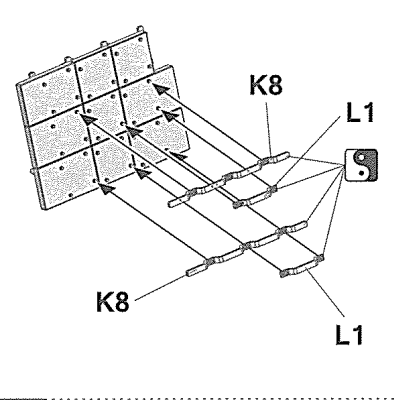
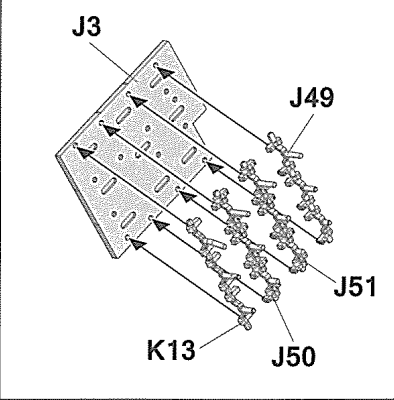
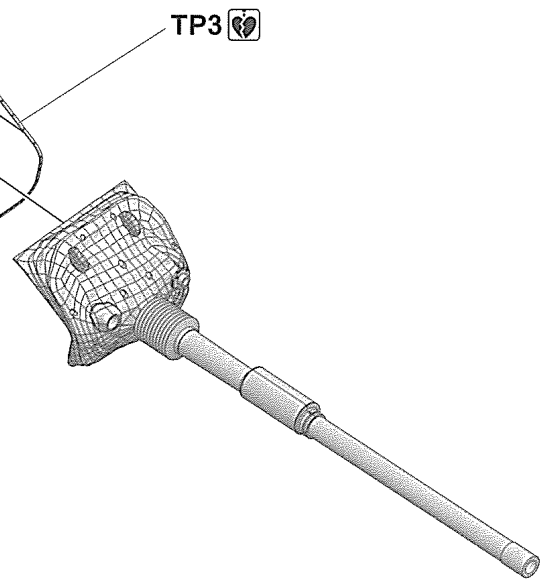
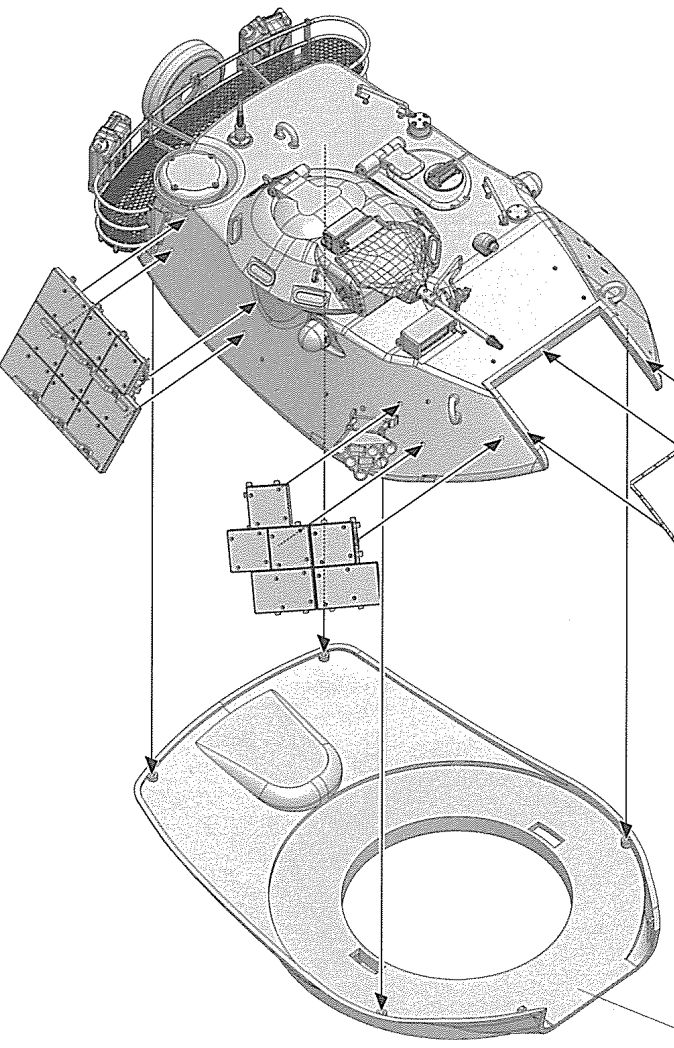


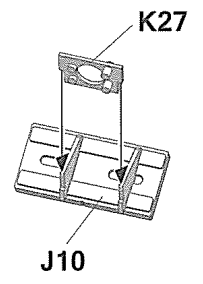
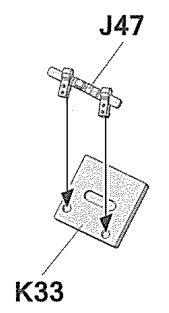
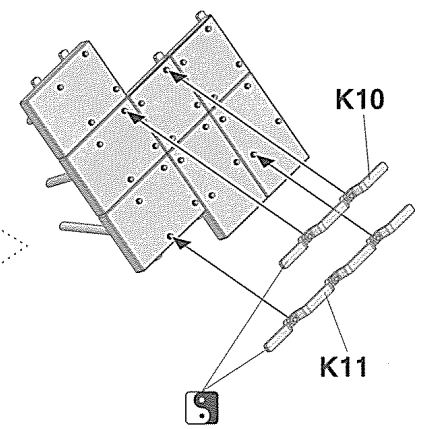
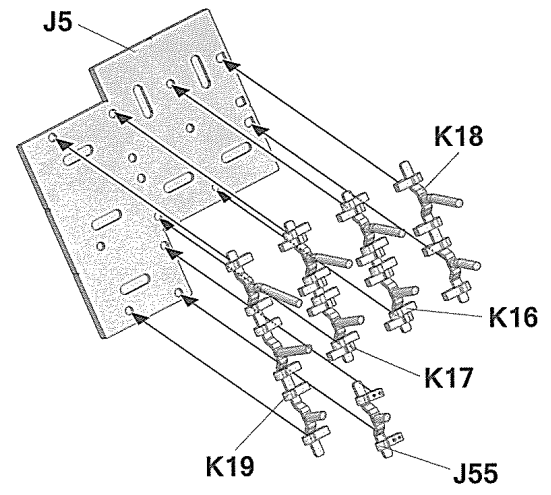
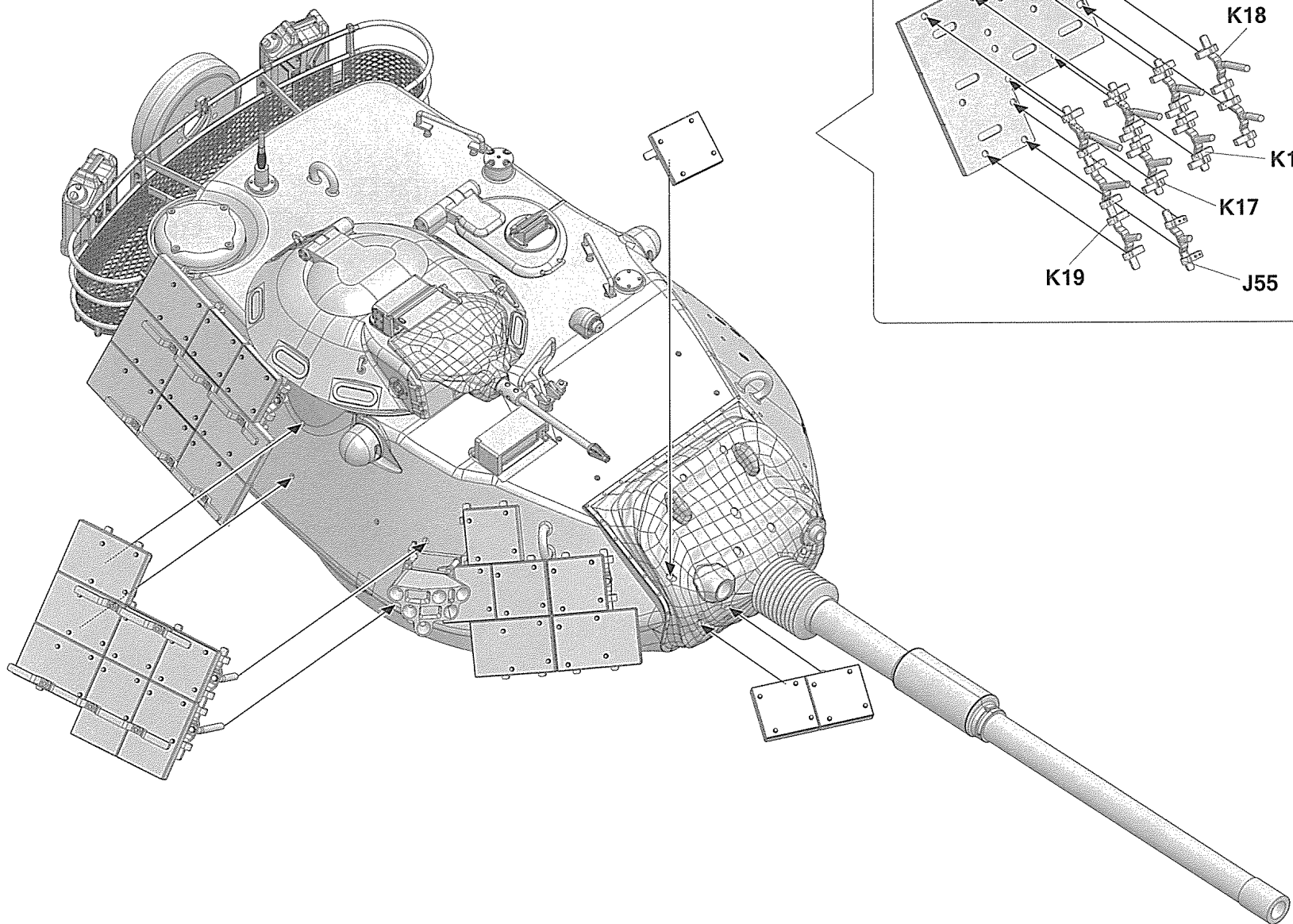


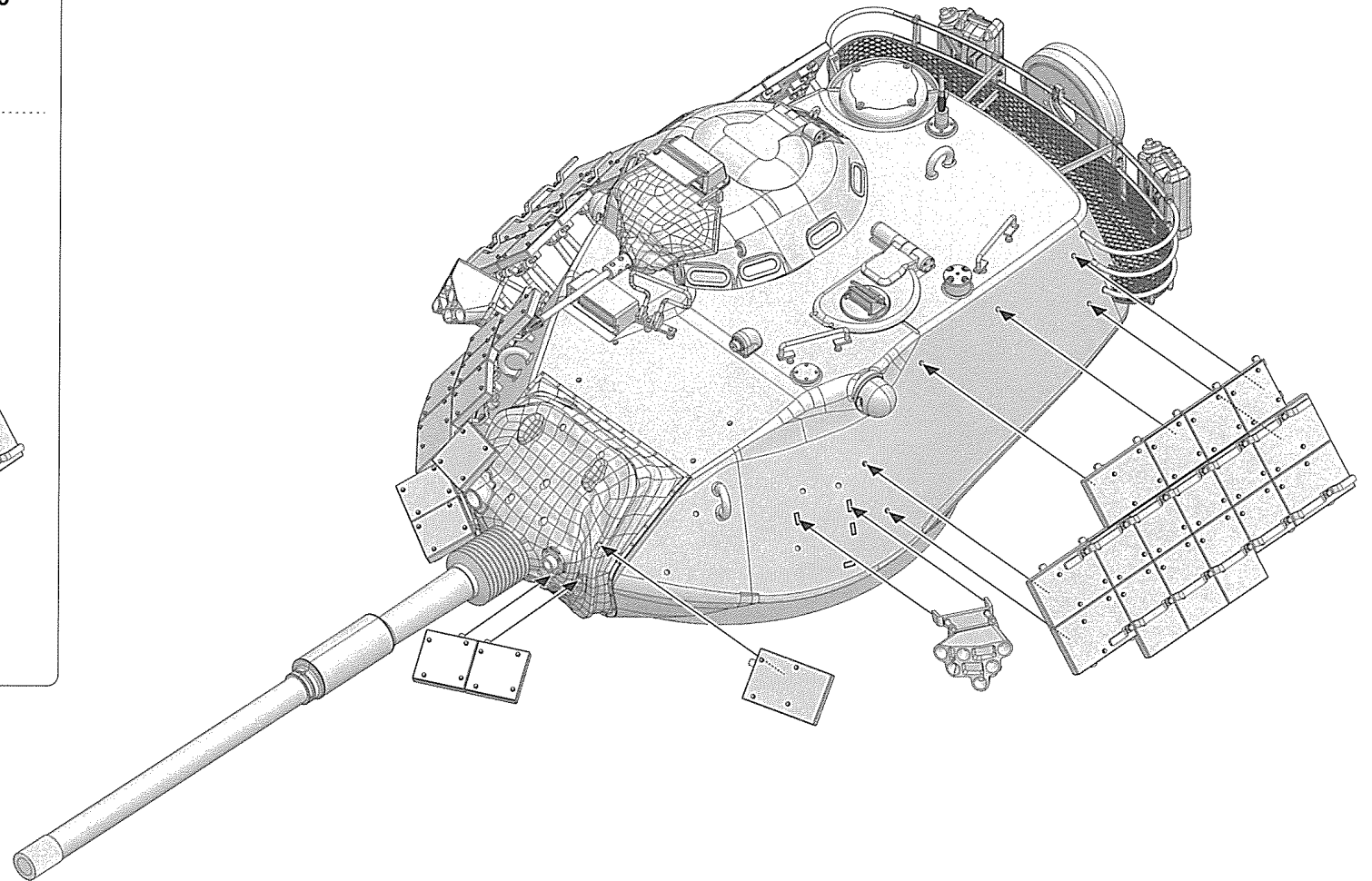
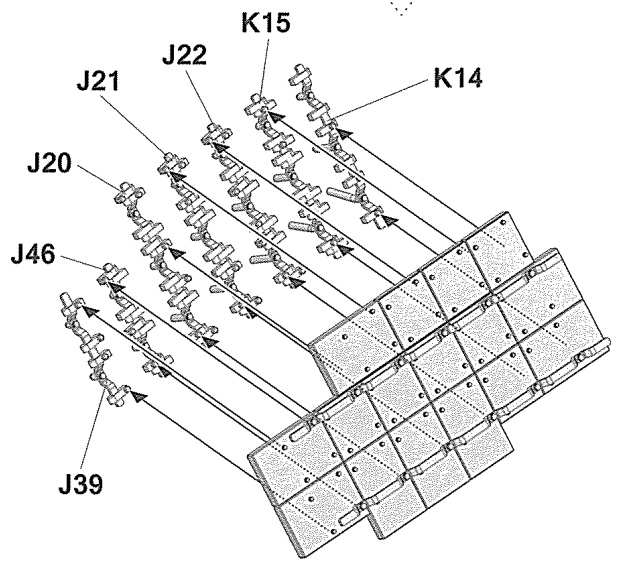
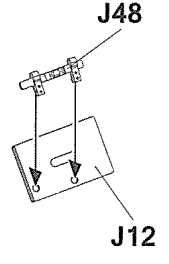
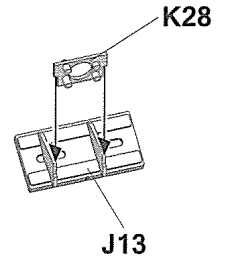
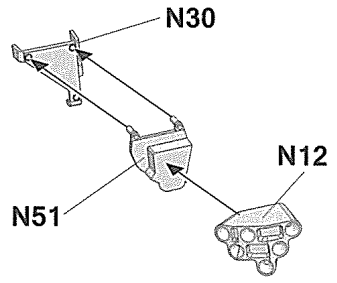
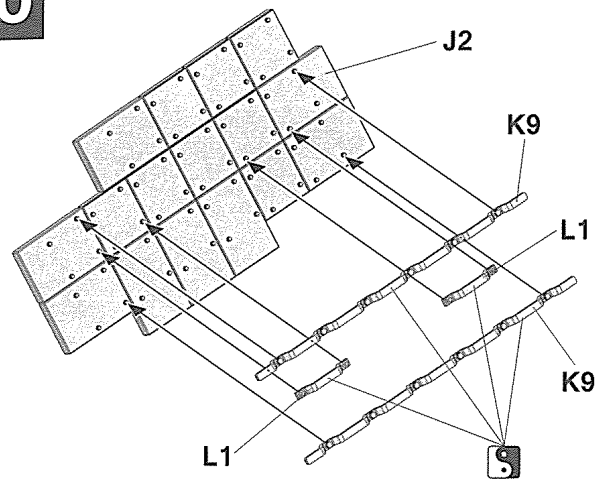


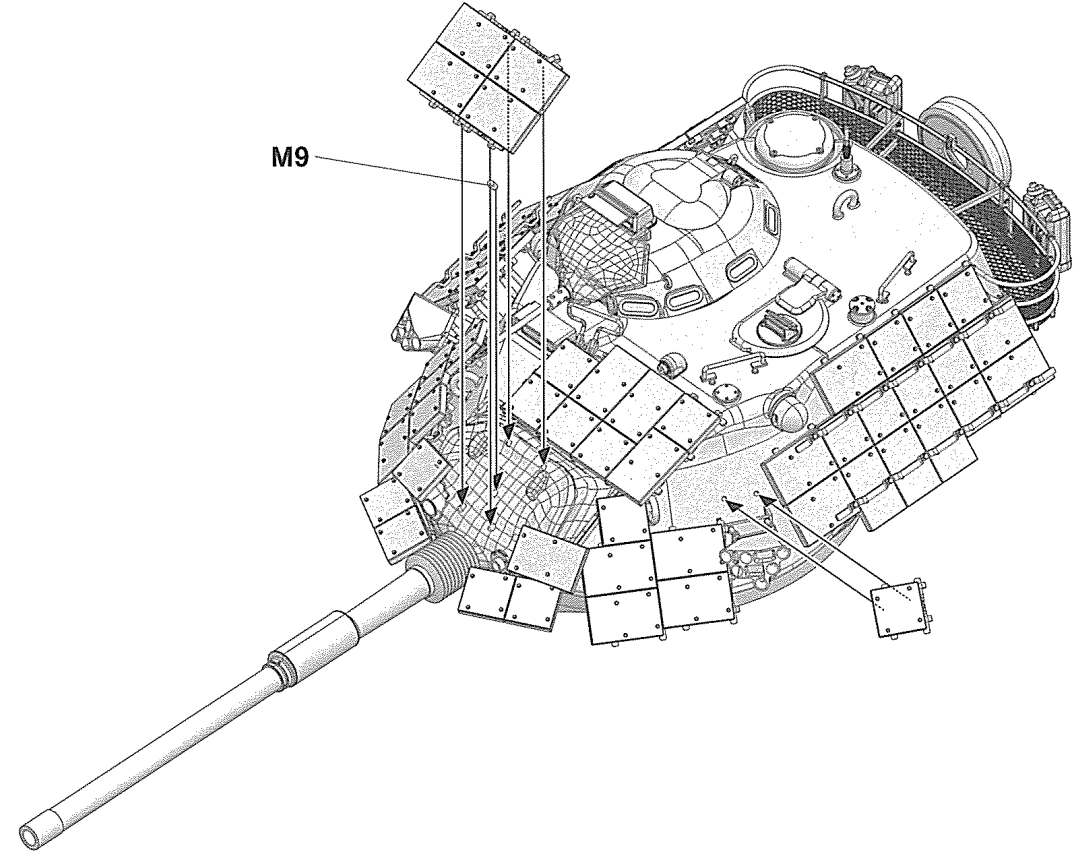
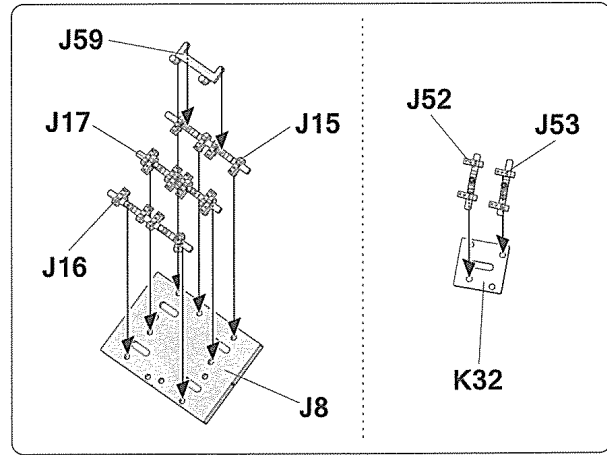
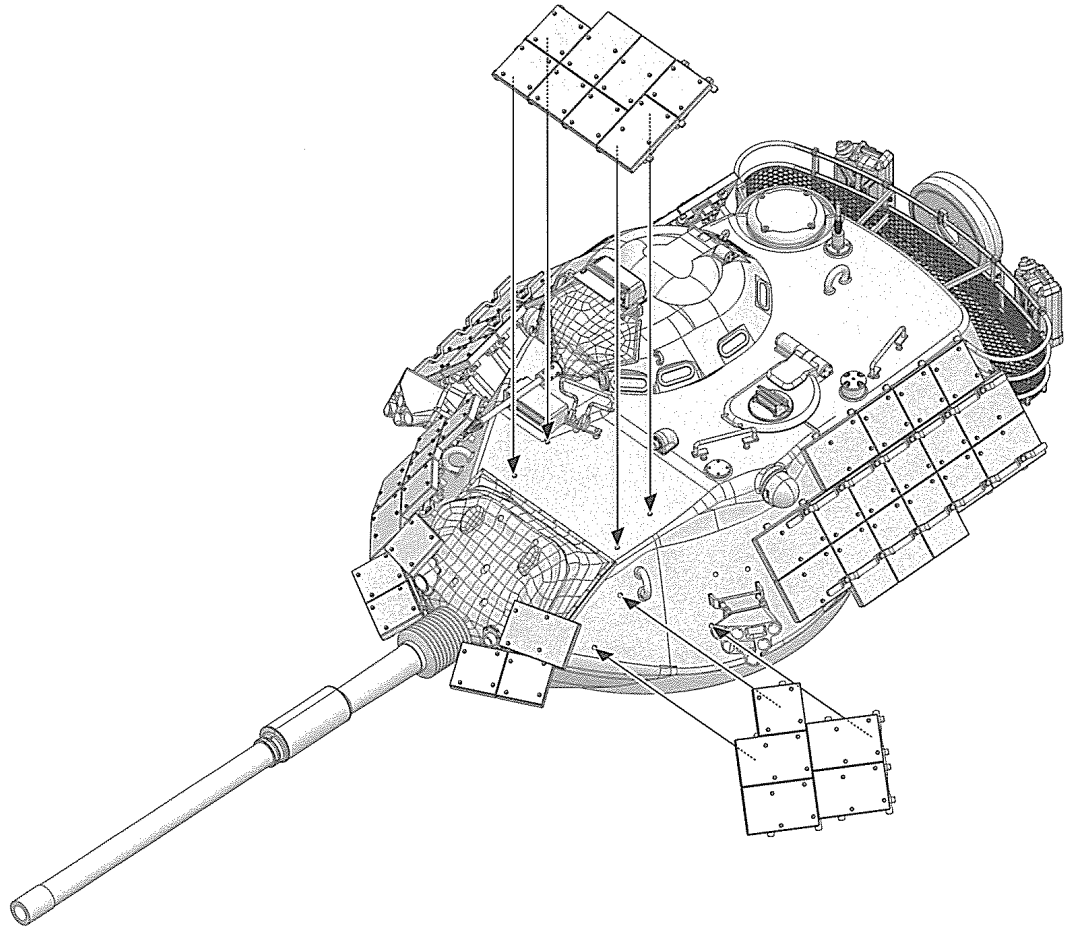
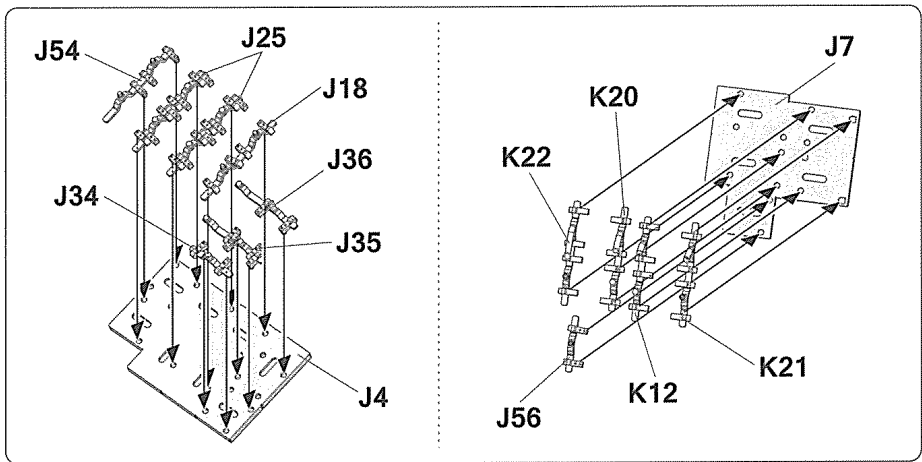
Make 2

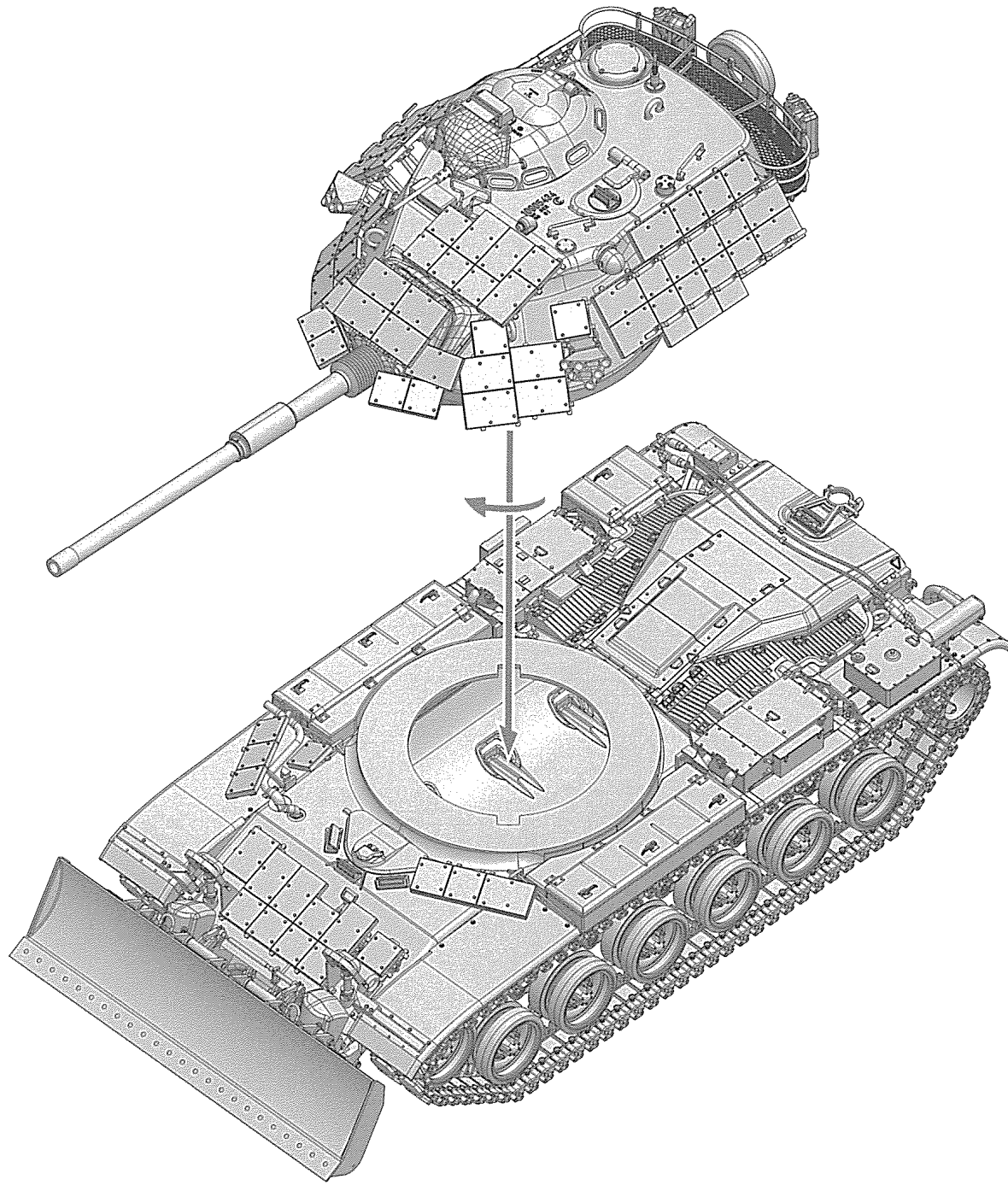












M60A1 ERA

With M9 Dozer Blade

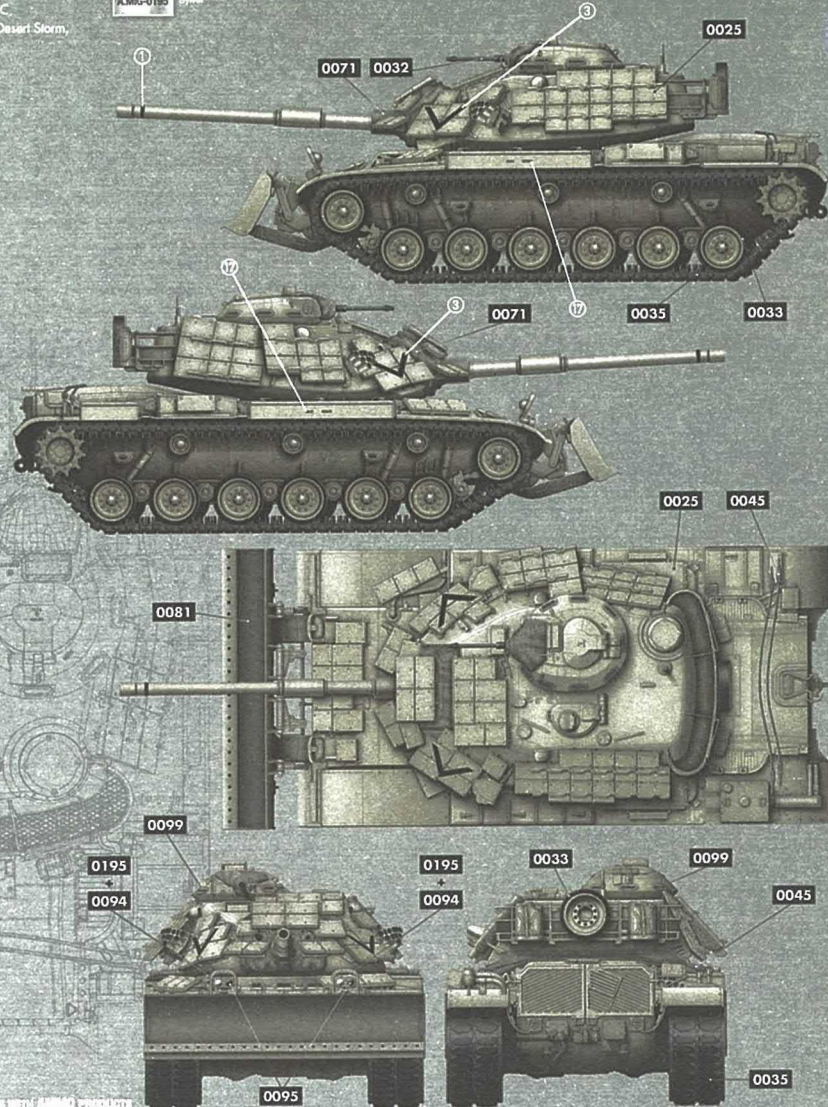
Painting and Marking Guide

TAKOM Ref: 2142

M60A1 ERA with M9 Dozer Blade

Company C, 2nd Tank Battalion USMC,
Task Force Breach Alpha, Operation Desert Storm,
January 1991

- A.MIG-0025** FS 33446 US Modern Vehicles
- A.MIG-0032** Satin Black
- A.MIG-0033** Rubber & Tires
- A.MIG-0035** Dark Tracks
- A.MIG-0045** Gun Metal
- A.MIG-0071** Kaki
- A.MIG-0081** US Olive Drab Vietnam ERA (FS 34087)
- A.MIG-0094** Crystal Glass
- A.MIG-0095** Crystal Smoke
- A.MIG-0099** Crystal Black Blue
- A.MIG-0195** Syber



WEATHERING STEPS WITH AMMO PRODUCTS			
1 GENERAL WASH A.MIG-1007 US Modern Vehicles Wash	4 DETAILS HIGHLIGHT A.MIG-3517 Buff	7 TRACKS WASH A.MIG-1002 Tracks Wash	10 SPLASHES A.MIG-1751 Dry Stoppe
2 FILTER A.MIG-1503 Ochre For Light Sand	5 STREAMING A.MIG-1207 Streaking Grime for US Modern Vehicles	8 DUST A.MIG-3012 Sand	11 FUEL A.MIG-1409 Fuel Stains
3 DIRT SHADING A.MIG-0654 Grime Shader	6 RAINTMARKS A.MIG-1208 Rainmarks Effects	9 MUD A.MIG-1701 Thick Soil	12 OIL A.MIG-1408 Fresh Engine Oil

M60A1 ERA

With M9 Dozer Blade

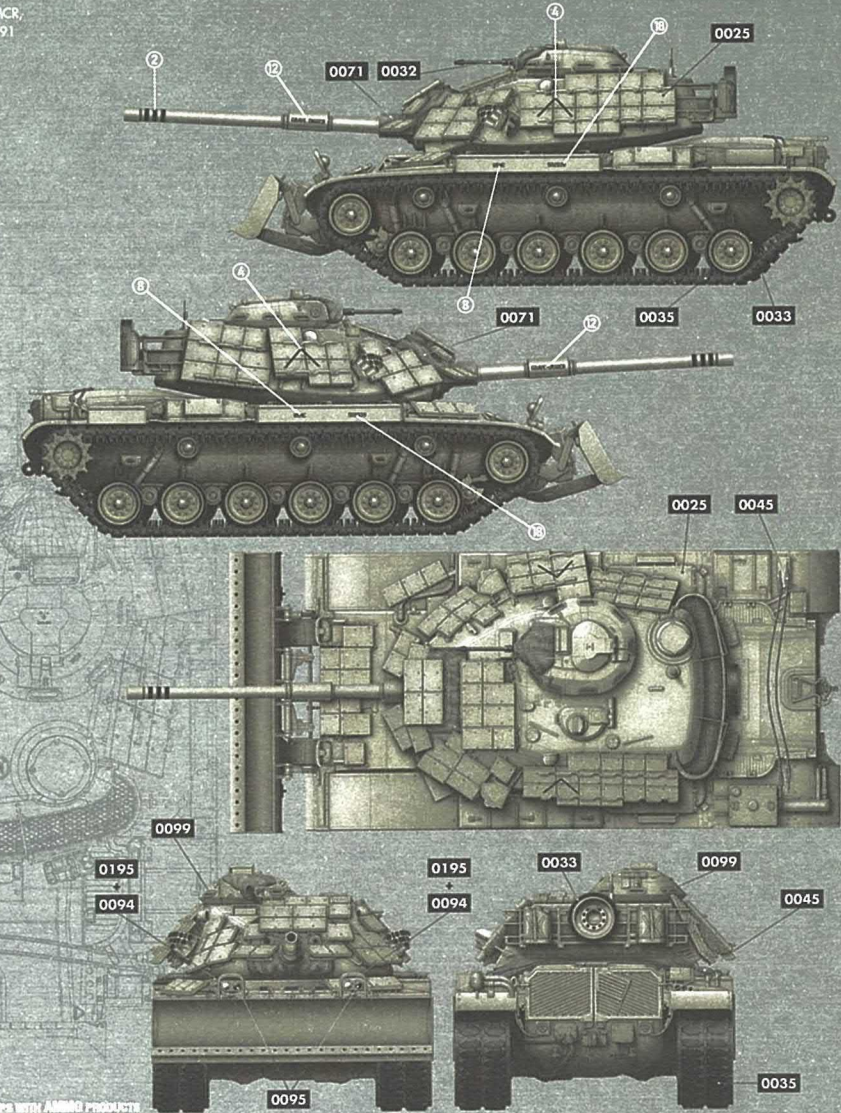
Painting and Marking Guide

TAKOM Ref: 2142

M60A1 ERA with M9 Dozer Blade

Company A, 8th Tank Battalion USMC,
Operation Desert Storm, January 1991

- A.MIG-0025** FS 33446 US Modern Vehicles
- A.MIG-0032** Satin Black
- A.MIG-0033** Rubber & Tires
- A.MIG-0035** Dark Tracks
- A.MIG-0045** Gun Metal
- A.MIG-0071** Kaki
- A.MIG-0094** Crystal Glass
- A.MIG-0095** Crystal Smoke
- A.MIG-0099** Crystal Black Blue
- A.MIG-0195** Syber



WEATHERING STEPS WITH AMMO PRODUCTS			
1 GENERAL WASH A.MIG-1007 US Modern Vehicles Wash	4 DETAILS HIGHLIGHT A.MIG-3517 Buff	7 TRACKS WASH A.MIG-1002 Tracks Wash	10 SPLASHES A.MIG-1751 Dry Stoppe
2 FILTER A.MIG-1504 Brown For Desert Yellow	5 STREAKING A.MIG-1207 Streaking Grime for US Modern Vehicles	8 DUST A.MIG-3012 Sand	11 FUEL A.MIG-1409 Fuel Stains
3 DIRT SHADING A.MIG-0654 Grime Shader	6 RAINTMARKS A.MIG-1208 Rainmarks Effects	9 MUD A.MIG-1701 Thick Soil	12 OIL A.MIG-1408 Fresh Engine Oil

M60A1 ERA With M9 Dozer Blade

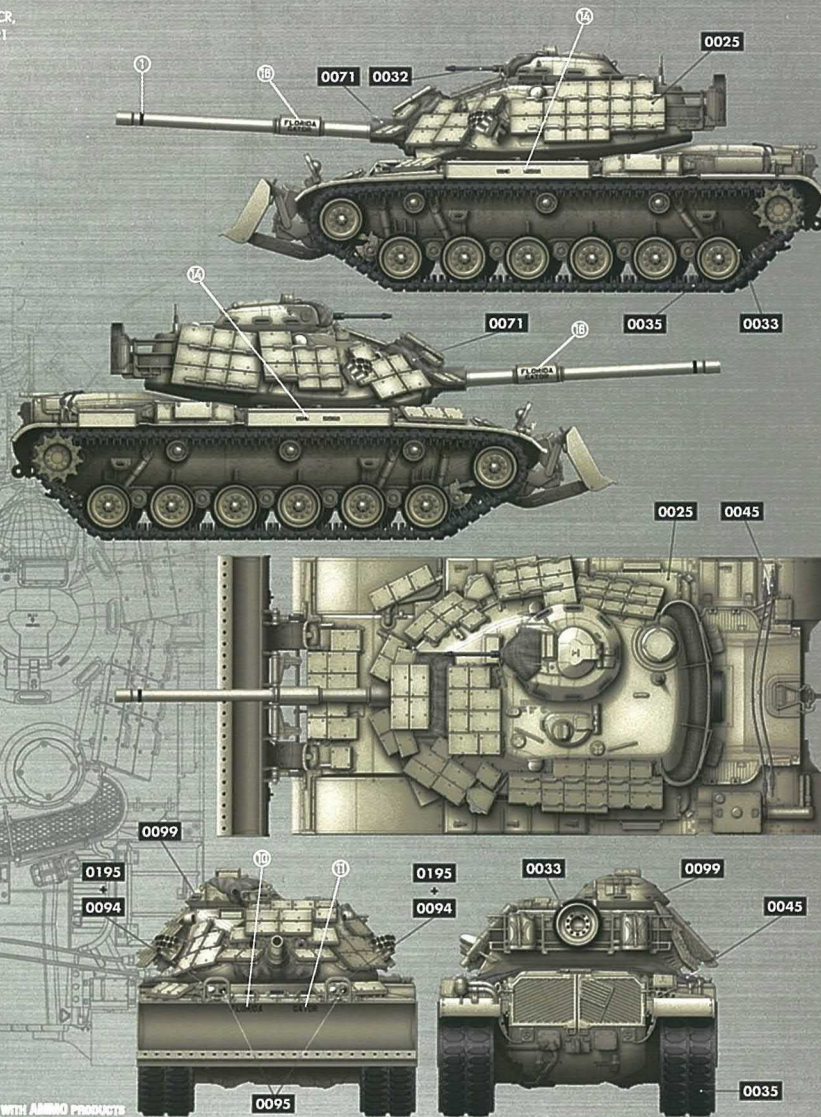
Painting and Marking Guide

TAKOM Ref: 2142

M60A1 ERA with M9 Dozer Blade

Company C, 8th Tank Battalion USMC,
Operation Desert Storm, January 1991

- A.MIG-0025 FB 33446 US Modern Vehicles
- A.MIG-0032 Satin Black
- A.MIG-0033 Rubber & Tires
- A.MIG-0035 Dark Tracks
- A.MIG-0045 Gun Metal
- A.MIG-0071 Kaki
- A.MIG-0094 Crystal Glass
- A.MIG-0095 Crystal Smoke
- A.MIG-0099 Crystal Black Blue
- A.MIG-0195 Silver



WEATHERING STEPS WITH AMMO PRODUCTS			
1 GENERAL WASH A.MIG-1007 US Modern Vehicles Wash	4 DETAILS HIGHLIGHT A.MIG-3517 Buff	7 TRACKS WASH A.MIG-1002 Tracks Wash	10 SPLASHES A.MIG-1751 Dry Steppe
2 FILTER A.MIG-1505 Grey for Yellow Sand	5 STREAKING A.MIG-1207 Streaking Grime for US Modern Vehicles	8 DUST A.MIG-3012 Sand	11 FUEL A.MIG-1409 Fuel Stains
3 DIRT SHADING A.MIG-0854 Grime Shader	6 RAINMARKS A.MIG-1208 Rainmarks Effects	9 MUD A.MIG-1701 Thick Soil	12 OIL A.MIG-1408 Fresh Engine Oil

M60A1 ERA With M9 Dozer Blade

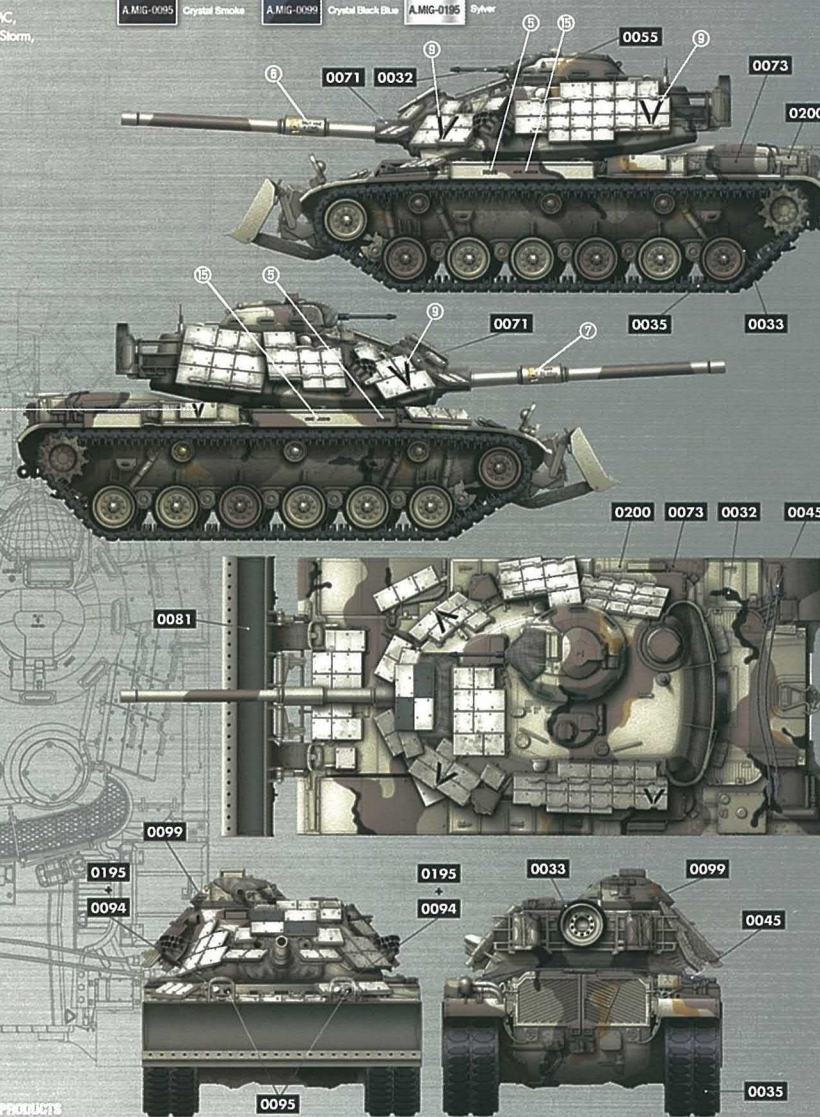
Painting and Marking Guide

TAKOM Ref: 2142

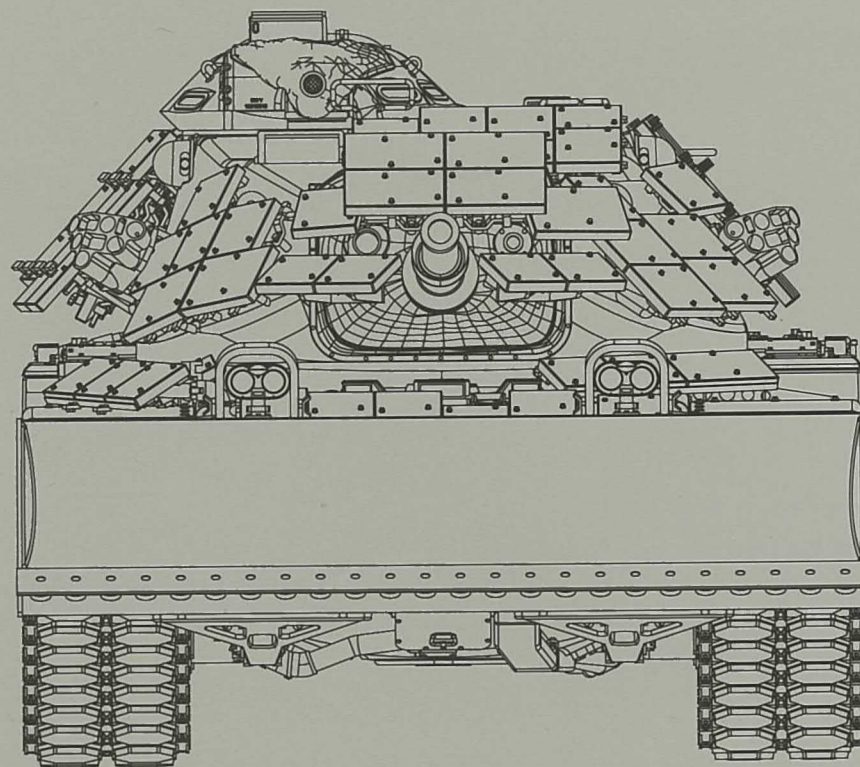
M60A1 ERA with M9 Dozer Blade

Company C, 3rd Tank Battalion USMC,
Task Force Ripper, Operation Desert Storm,
January 1991

- FB 33531 Midskifte
- A.MIG-0032 Satin Black
- A.MIG-0033 Rubber & Tires
- A.MIG-0035 Dark Tracks
- A.MIG-0045 Gun Metal
- A.MIG-0071 Kaki
- A.MIG-0073 Earth
- A.MIG-0055 Oil Ochre
- A.MIG-0081 US Olive Drab Vietnam ERA (FS 24037)
- A.MIG-0094 Crystal Glass
- A.MIG-0095 Crystal Smoke
- A.MIG-0099 Crystal Black Blue
- A.MIG-0195 Silver



WEATHERING STEPS WITH AMMO PRODUCTS			
1 GENERAL WASH A.MIG-1007 US Modern Vehicles Wash	4 DIRT SHADING A.MIG-3517 Buff	7 RAINMARKS A.MIG-1208 Rainmarks Effects	10 MUD A.MIG-1701 Thick Soil
2 FILTER A.MIG-1505 Grey for Yellow Sand	5 DETAILS HIGHLIGHT A.MIG-1207 Streaking Grime for US Modern Vehicles	8 TRACKS WASH A.MIG-1002 Tracks Wash	11 SPLASHES A.MIG-1751 Dry Steppe
3 CAMO SHADING A.MIG-0855 Starship Filth Shader	6 STREAKING A.MIG-1208 Rainmarks Effects	9 DUST A.MIG-3012 Sand	12 FUEL A.MIG-1408 Fresh Engine Oil



You can find TAKOM on Facebook.com