

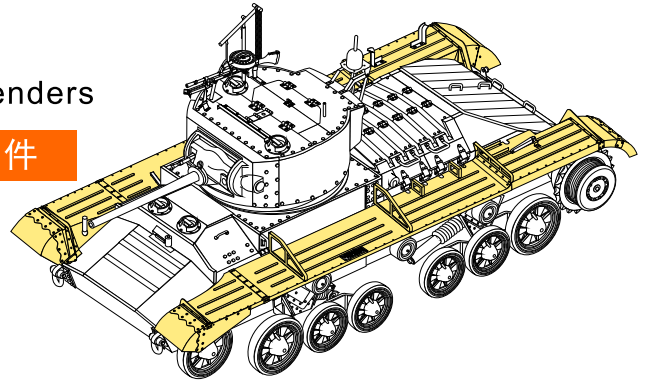
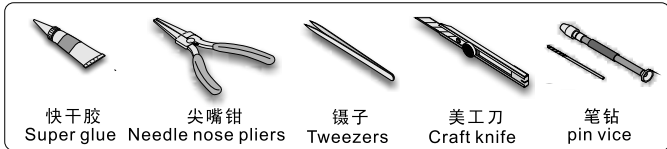
1/35 MILITARY MINIATURE VEHICLE UPGRADE SERIES PE35896


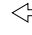








WWII British Valentine Mk.II/IV Infantry Tank Fenders


二战英军瓦伦丁Mk. II/IV型坦克翼子板改造件

[For TAMIYA 35352]

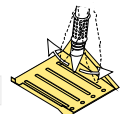
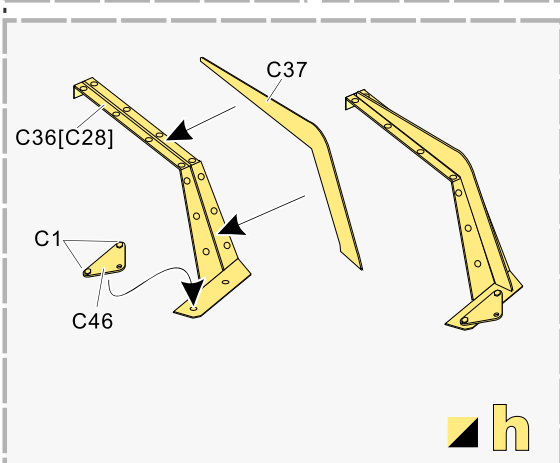
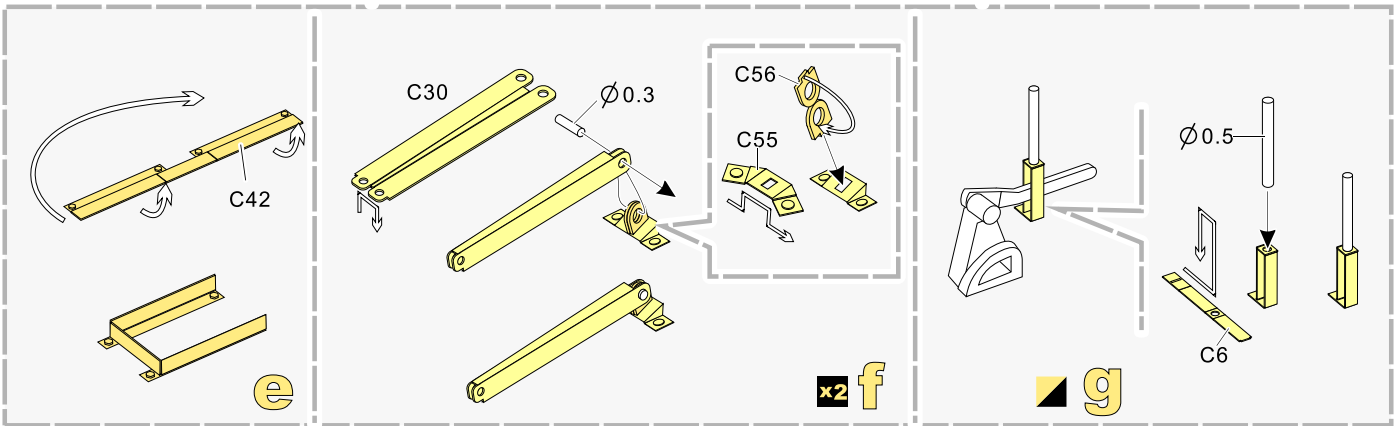
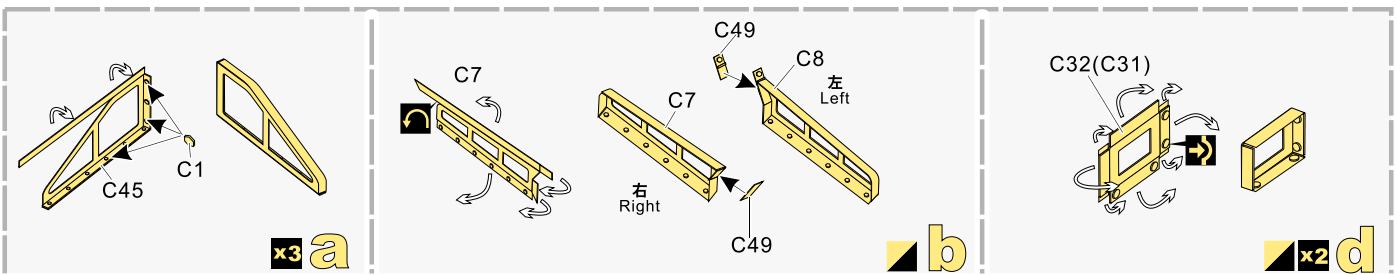
■ 推荐使用工具 RECOMMENDED TOOLS




- 
 安装
install
- 
 折叠
bend
- A1**
 改造件零件编号
PE/resin part number
- B12**
 原零件编号
kit part number
- C22**
 被替换的原零件编号
replaced kit part number
- 
 另一侧相同制作
repeat on opposite side
- 
 切除
remove
- 
 打磨
grind off
- 
 弧度卷曲
radial bending
- 
 制作若干组
multiple assembly
- 
 选择安装
alternative
- 
 钻孔
drill
- 
 用胶棒制作
make from plastic rod



 用尖端在凹槽处冲压
use penpoint to press on the dent

蚀刻片零件内侧面向上
Put the part upside down
 用笔尖在凹槽处刺
Use penpoint to press on the dent



**VOYAGER
MODEL**



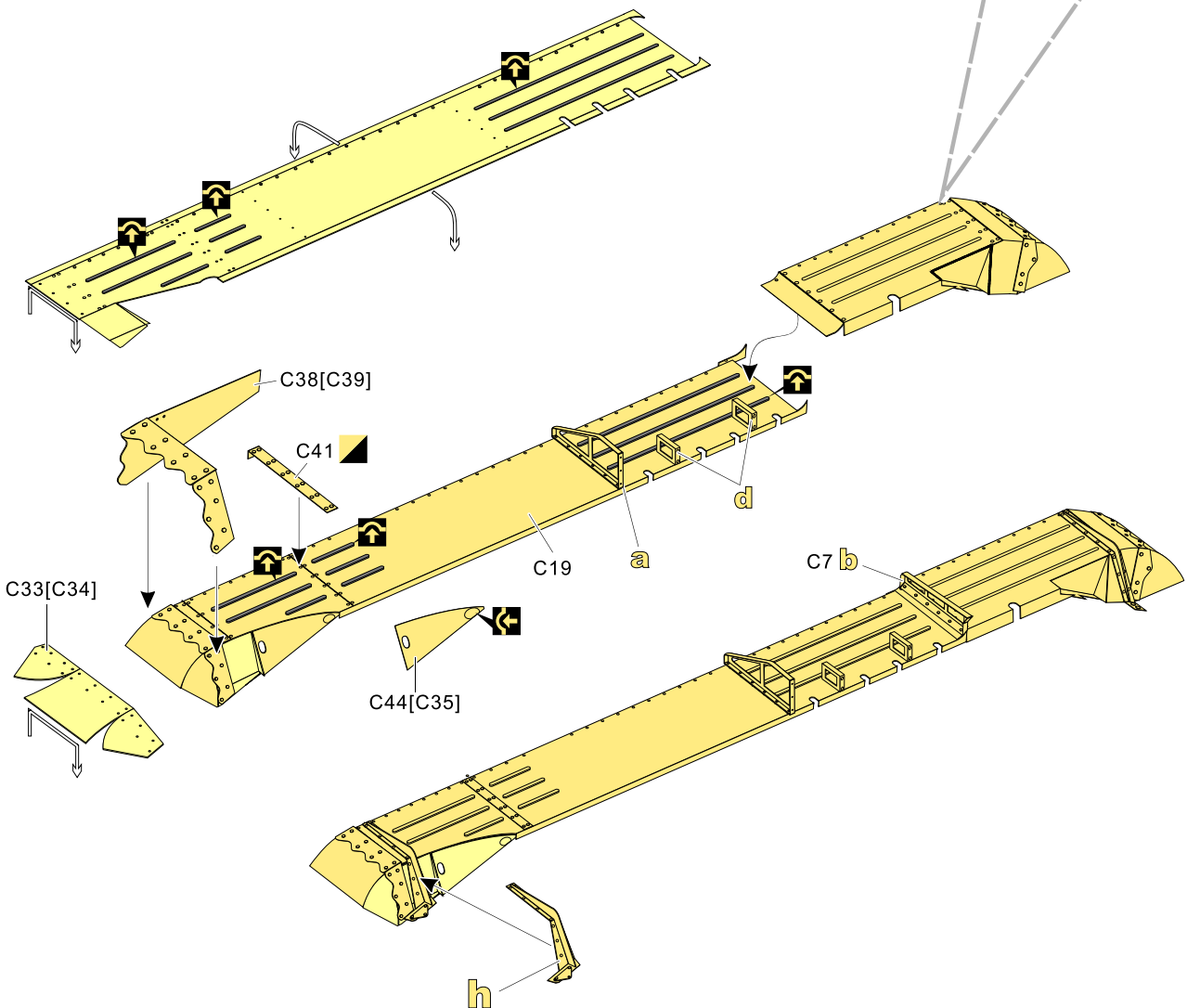
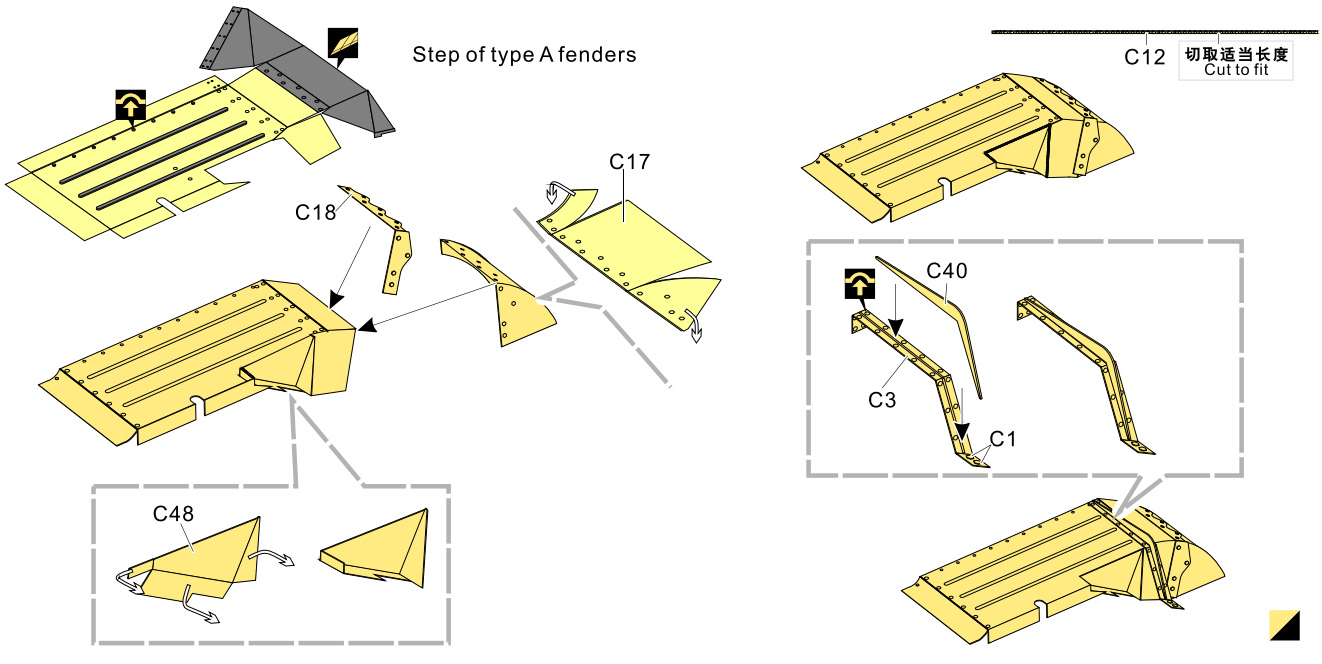


更多PE35896样品照片参考请扫一扫
MORE PICTUER OF PE 35896
REFERENCE SCAN HERE

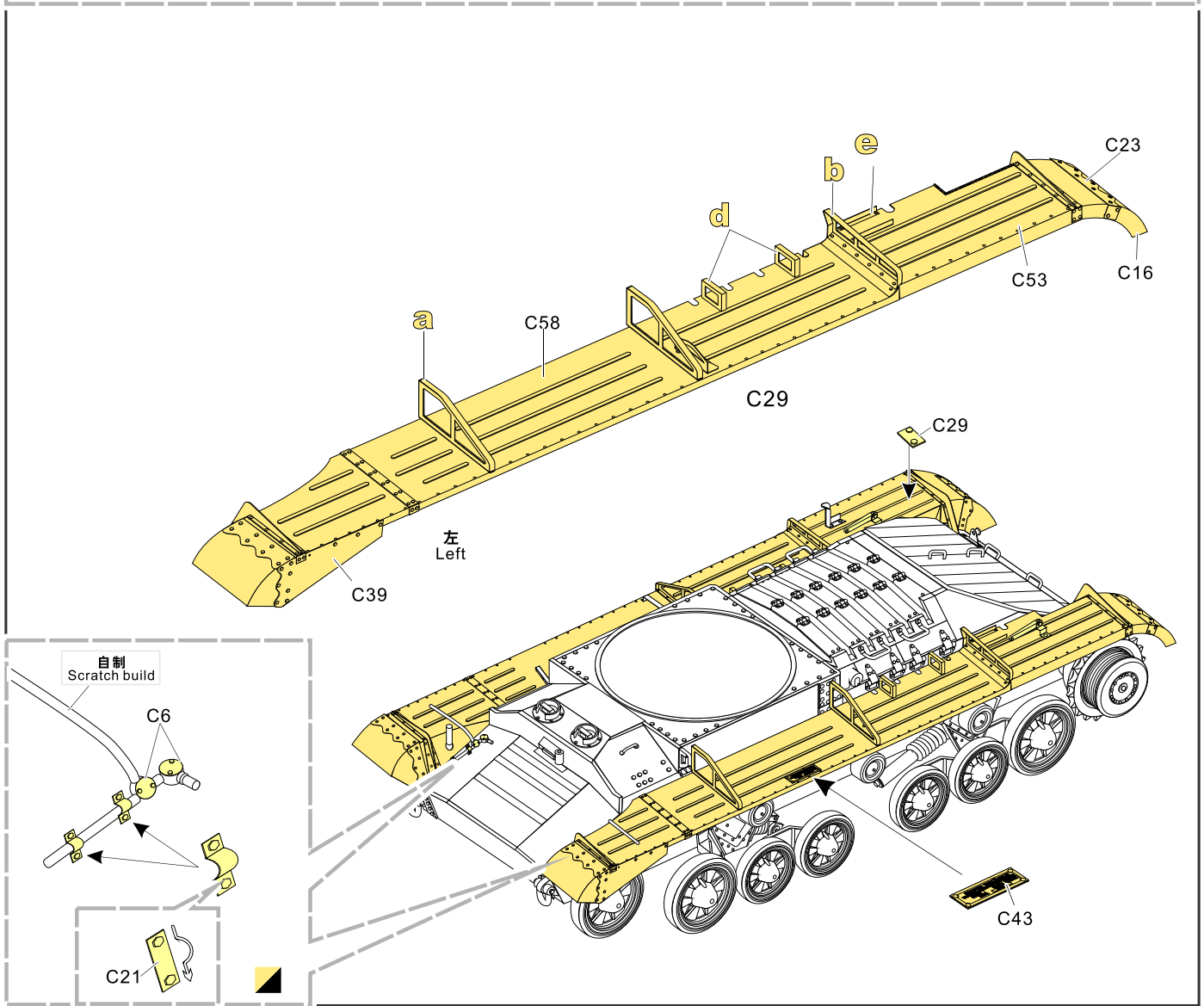
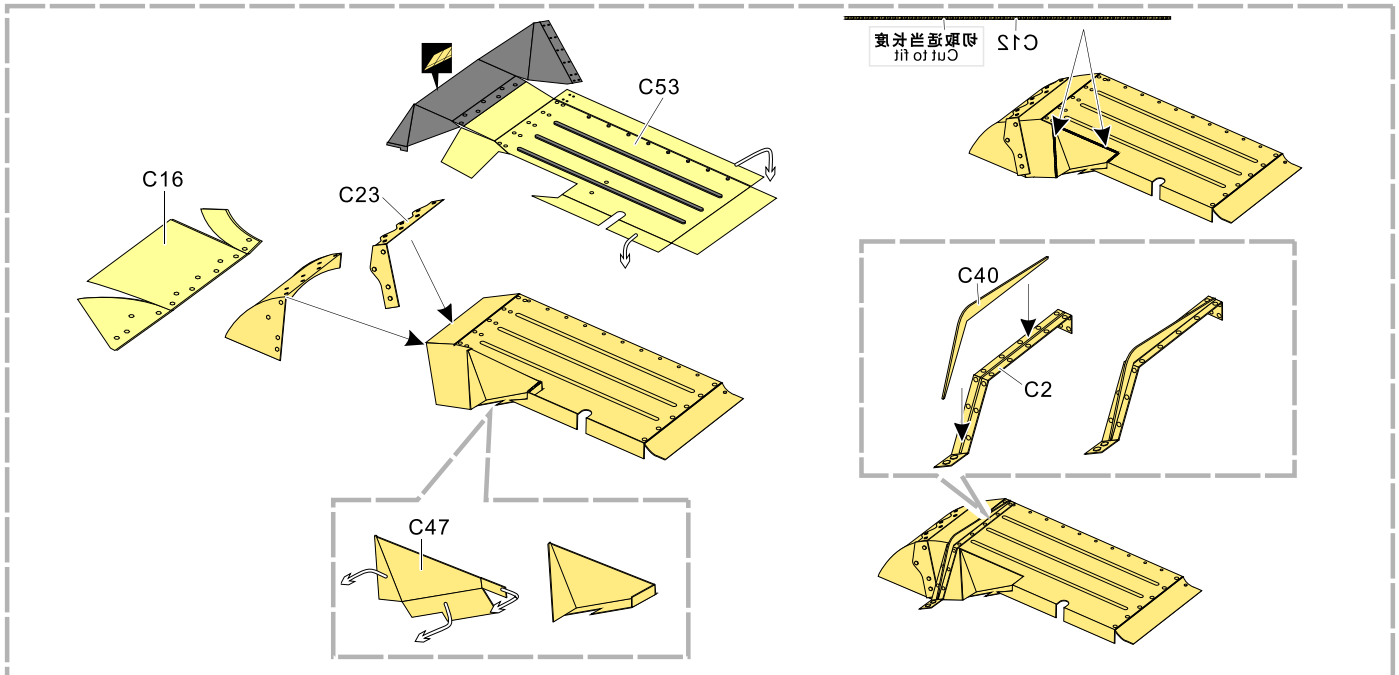
1/35 MILITARY MINIATURE VEHICLE UPGRADE SERIES PE35896

Step of type A fenders

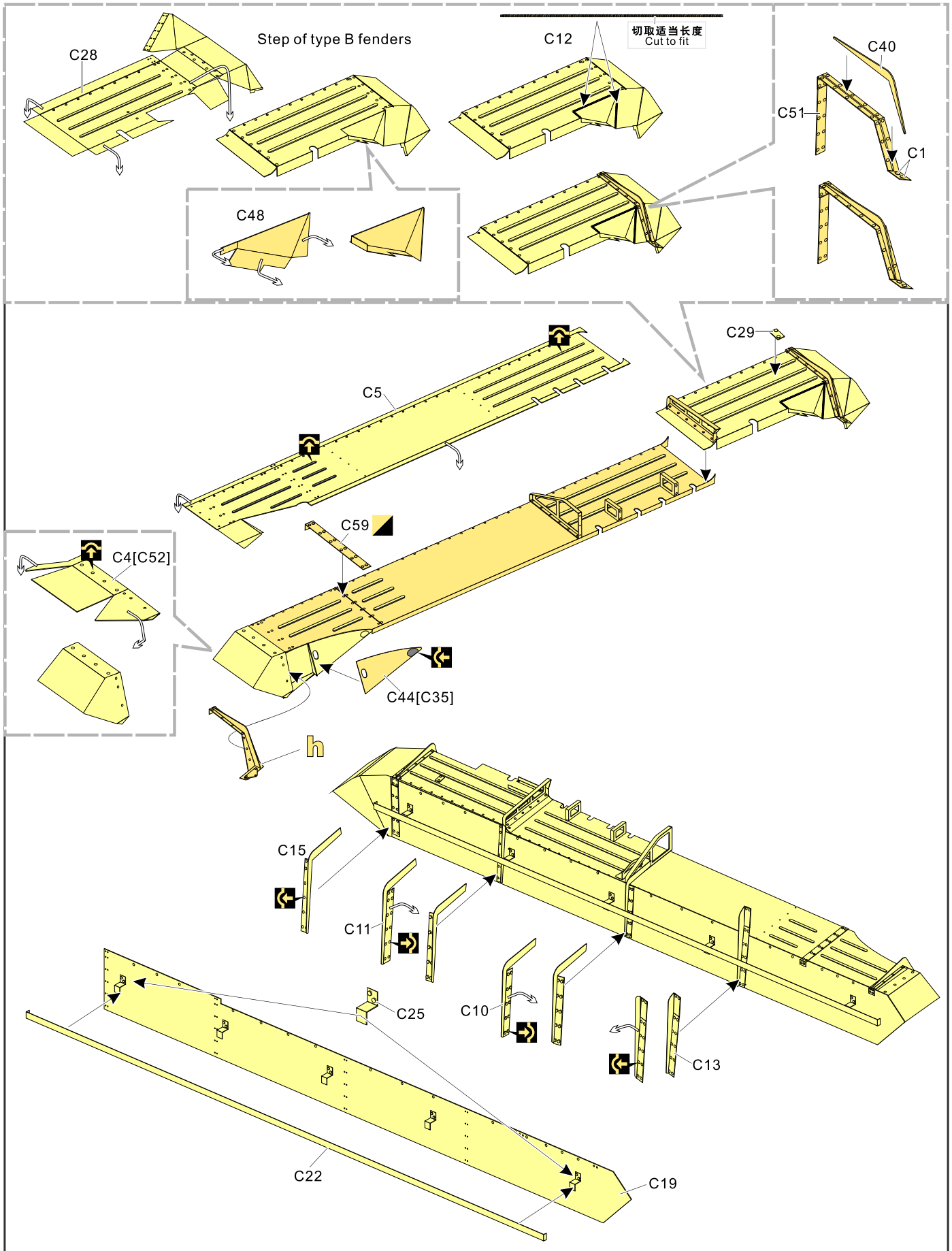
C12 切取适当长度
Cut to fit



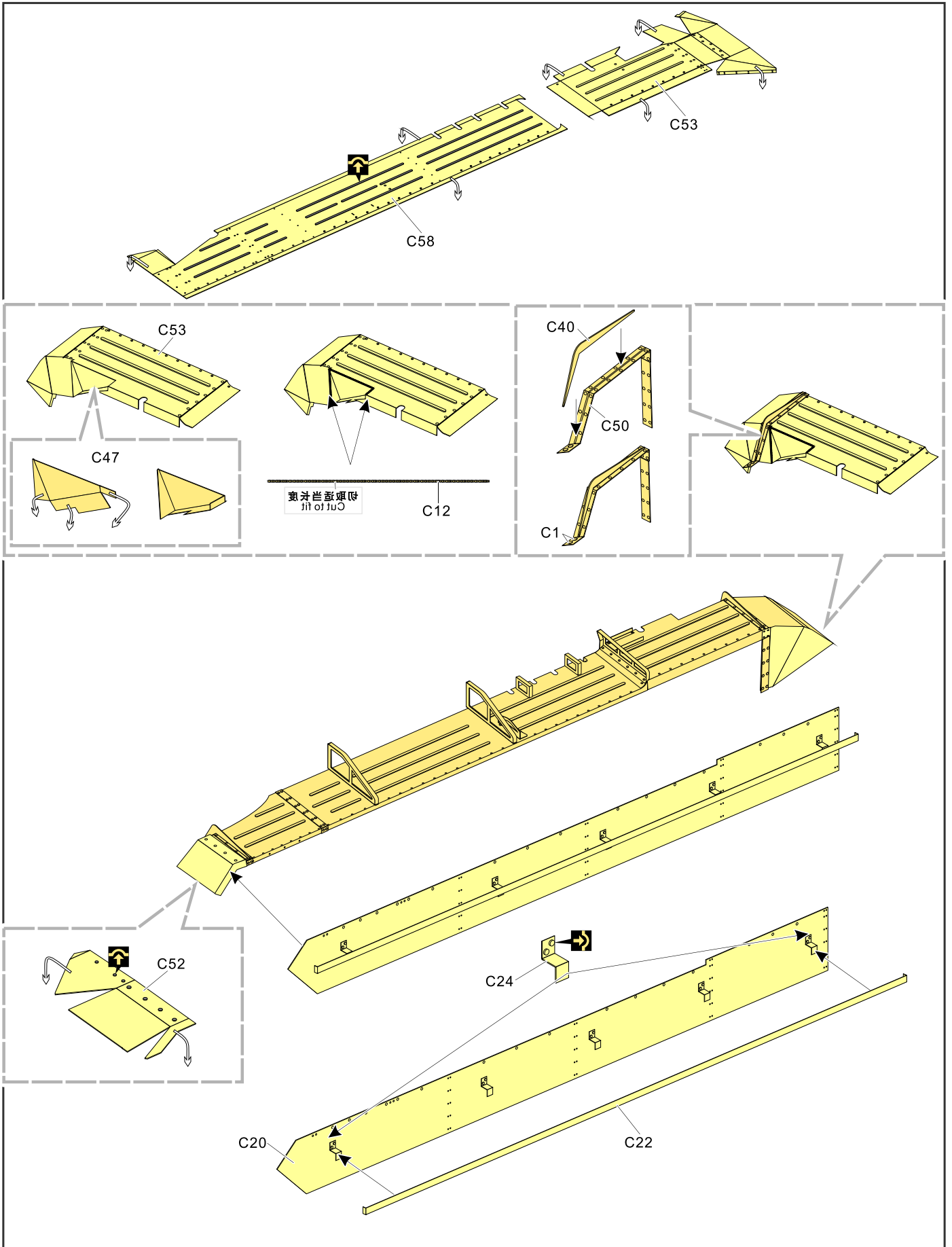
1/35 MILITARY MINIATURE VEHICLE UPGRADE SERIES PE35896



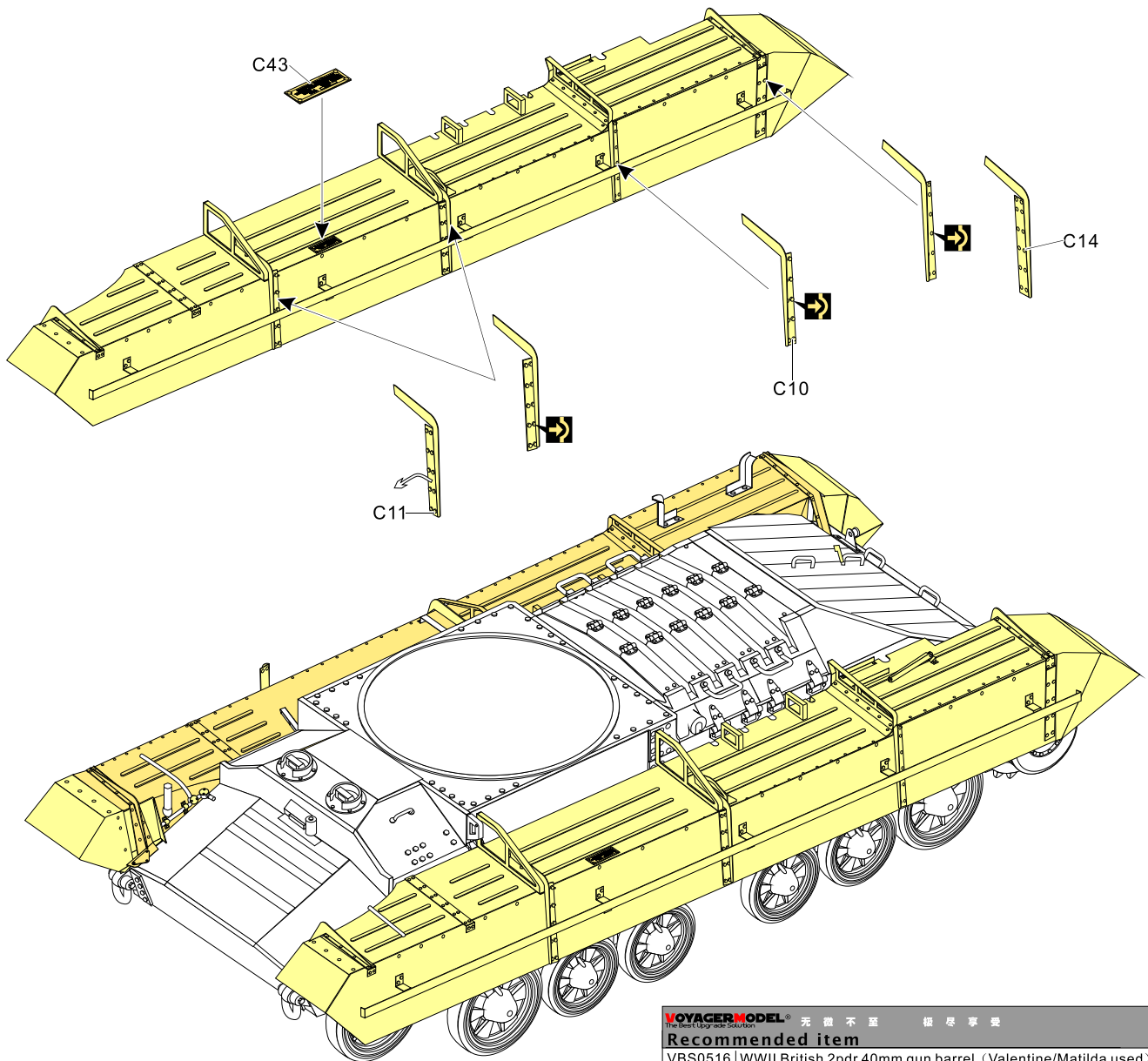
1/35 MILITARY MINIATURE VEHICLE UPGRADE SERIES PE35896



1/35 MILITARY MINIATURE VEHICLE UPGRADE SERIES PE35896

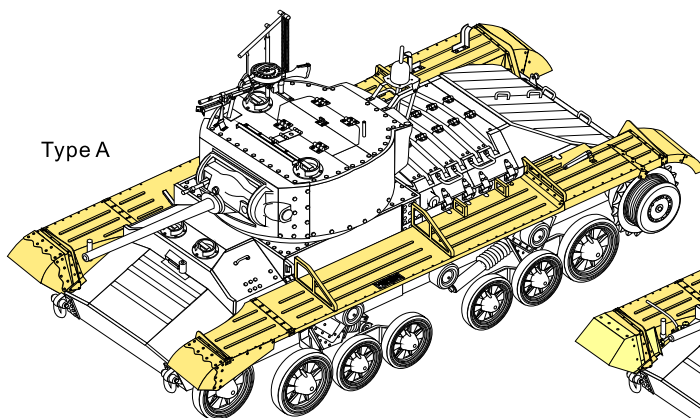


1/35 MILITARY MINIATURE VEHICLE UPGRADE SERIES PE35896



VOYAGERMODEL[®] 无微不至 极尽享受
The Best Upgrade Solution

Recommended item
VBS0516 WWII British 2pdr 40mm gun barrel (Valentine/Matilda used)
PE 35895 WWII British Valentine Mk.II/IV Infantry Tank basic



Type A



Type B