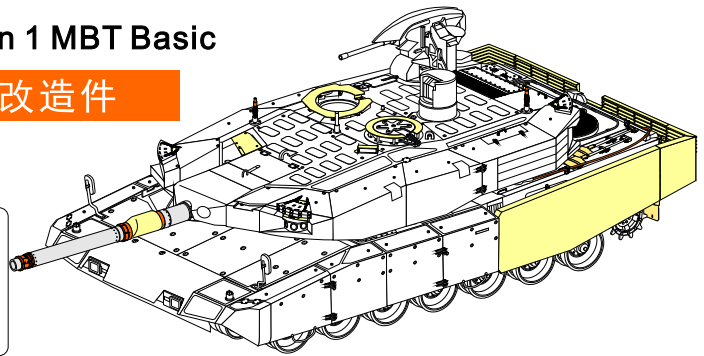


1/35 MILITARY MINIATURE VEHICLE UPGRADE SERIES PE35890

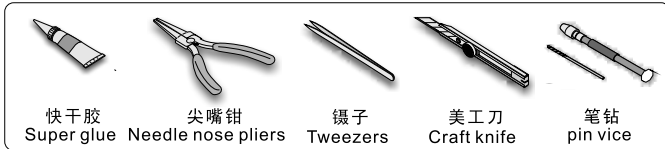
Modern German Leopard2A4 Revolution 1 MBT Basic

现代德军豹2A4革命1主战坦克基本改造件

[For TIGER 4629]



推荐使用工具 RECOMMENDED TOOLS



- ↑
安装
install
- ↩
折叠
bend
- A1
改造件零件编号
PE/resin part number
- B12
原零件编号
kit part number
- C22
被替换的原零件编号
replaced kit part number
- ⚡
钻孔
drill
- ✂
切除
remove
- ↔
另一侧相同制作
repeat on opposite side
- ⤵
弧度卷曲
radial bending
- x2
制作若干组
multiple assembly
- ↔
选择安装
alternative

↓
用尖端在凹槽处冲压
use penpoint to press on the dent

↕
钻到片零件内侧面向上
Put the part upside down

用笔尖在凹槽处刺
Use penpoint to press on the dent

⌀
制作线圈
make coil

B14, B15, B16, C25, Ø0.2, Ø0.3

G1, B4

L7, C27, C16, C17

x4 a x2 b c

B9, C8, C9

B8, C8, a

B12

x2 d x2 e x3 f

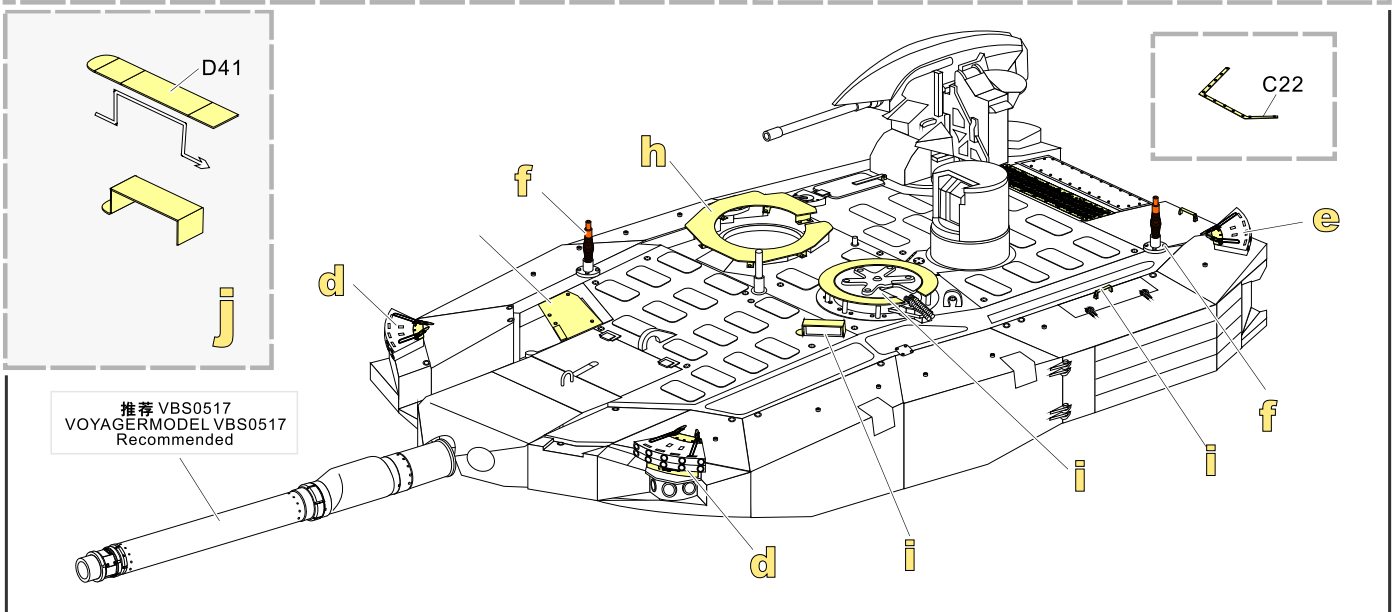
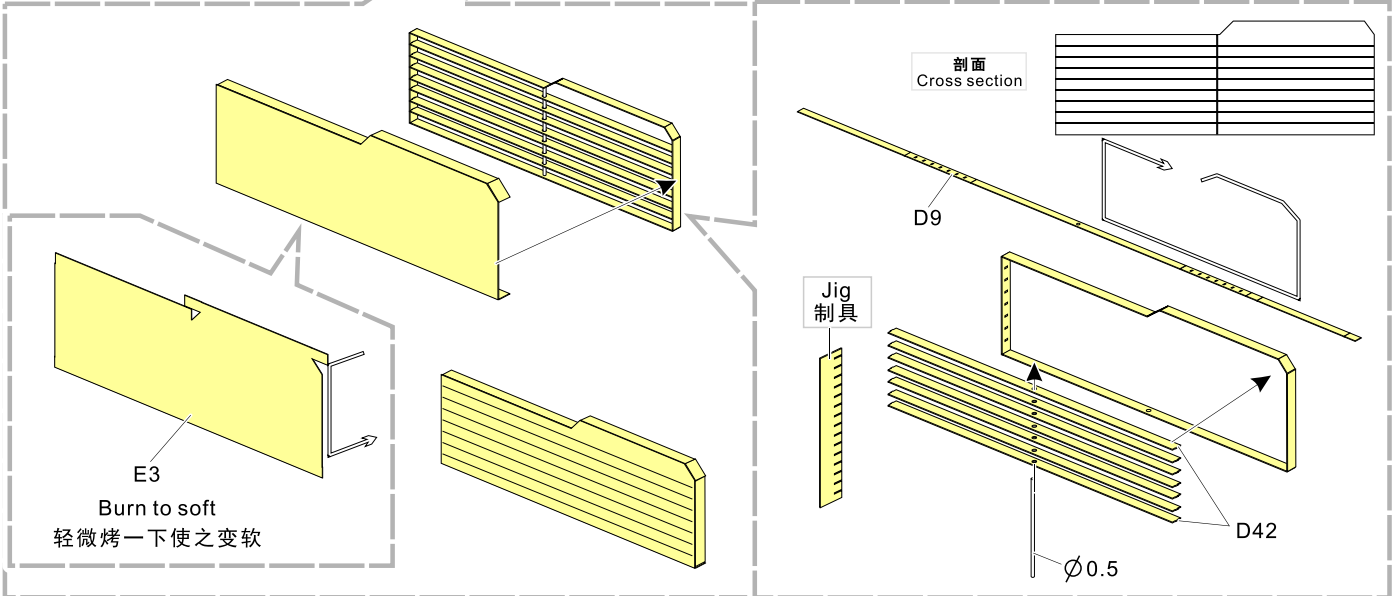
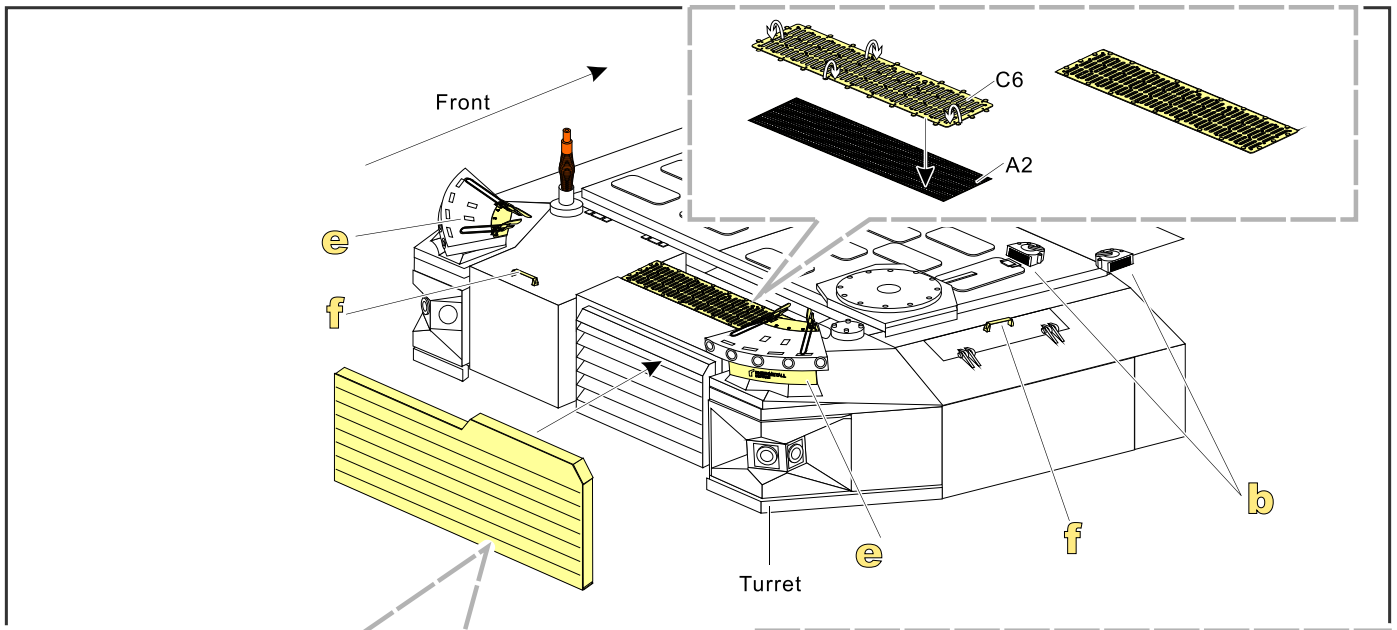
Ø0.3, 金属件 Metal part, Removed from A16

D53, D43

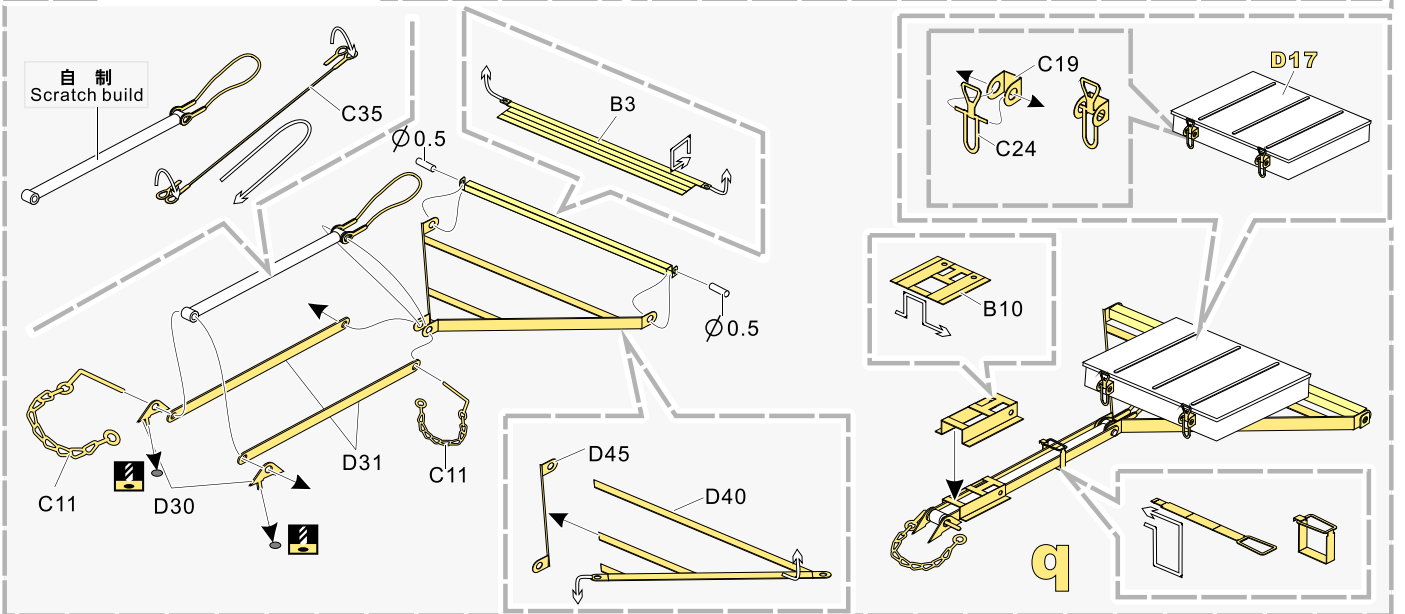
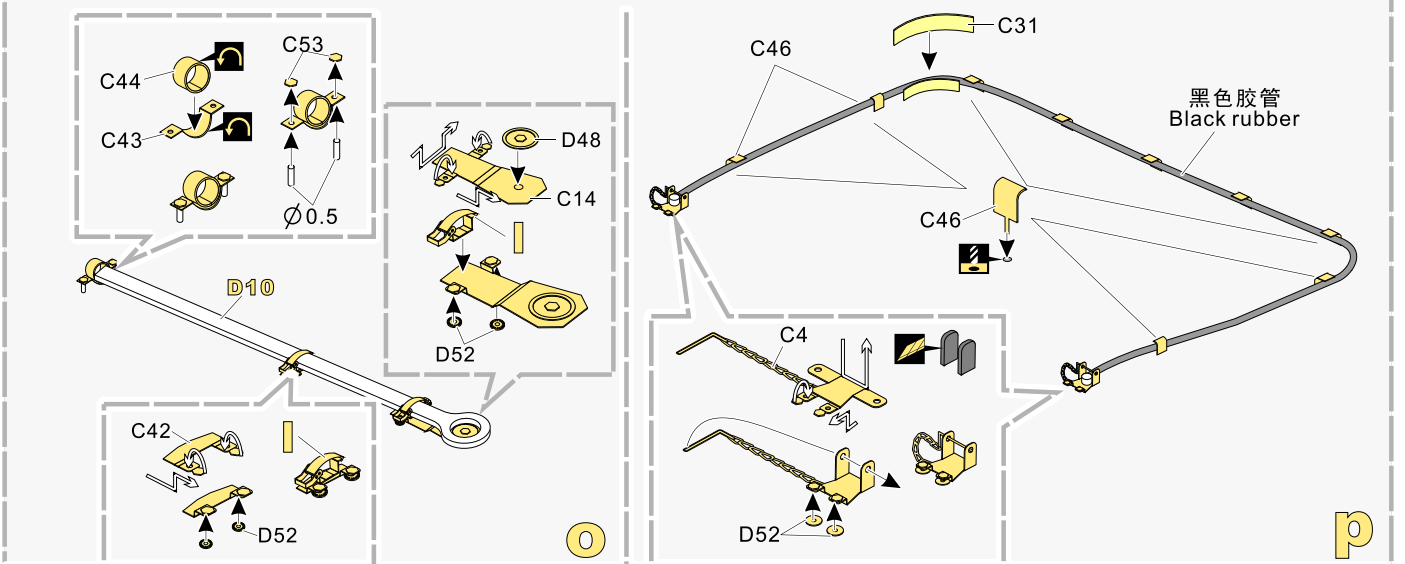
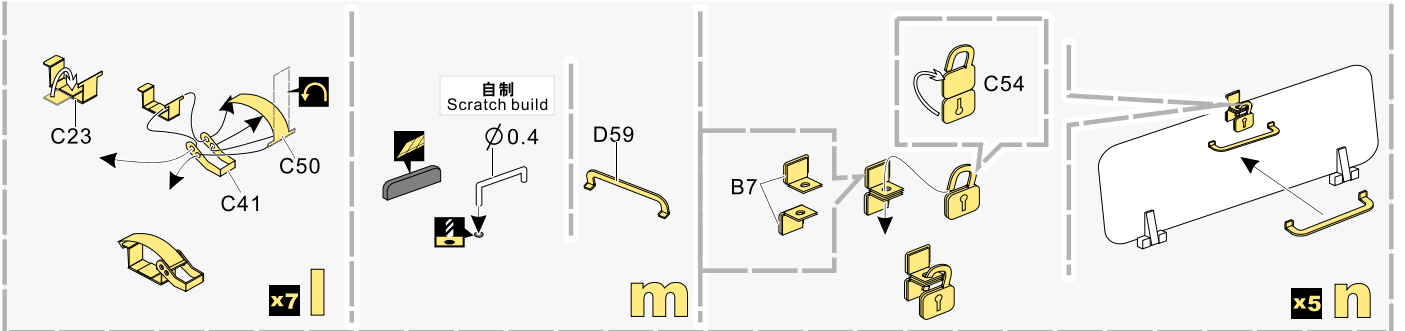
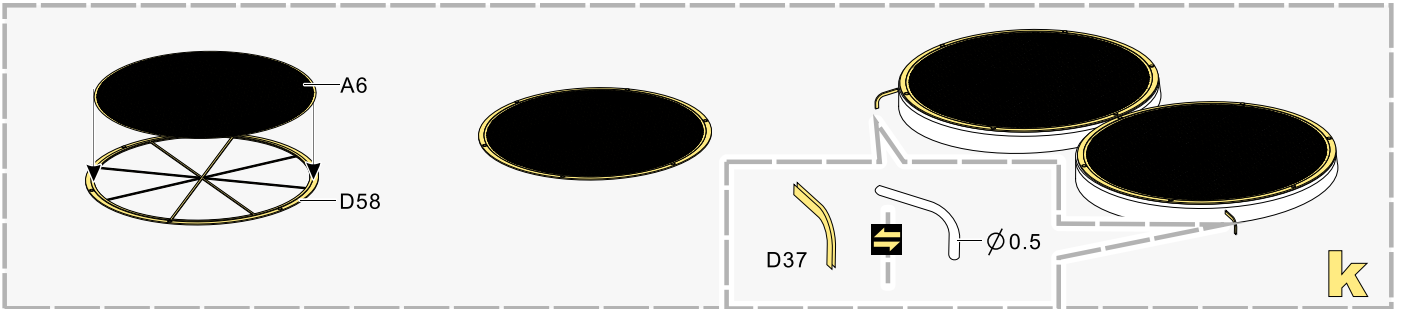
G17, D47, Ø1.0

g h x2 i

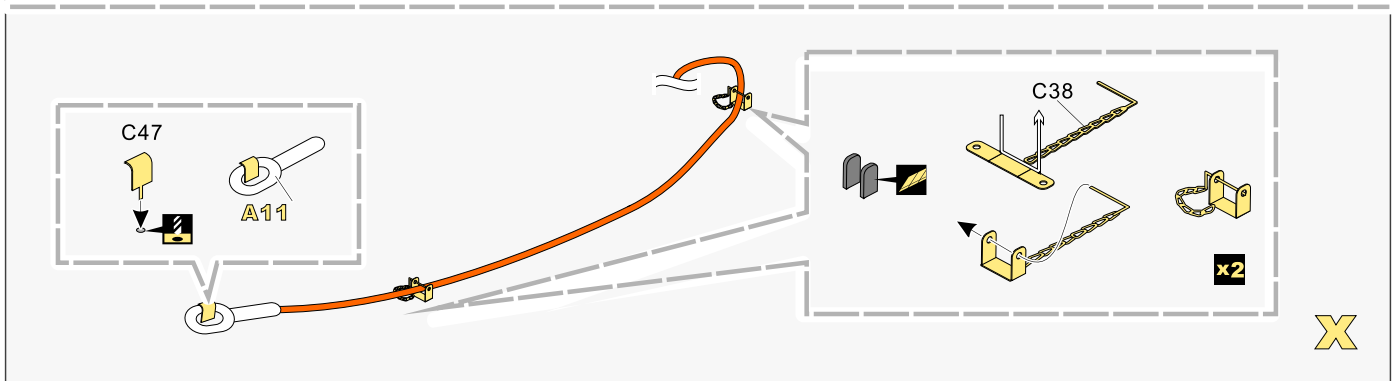
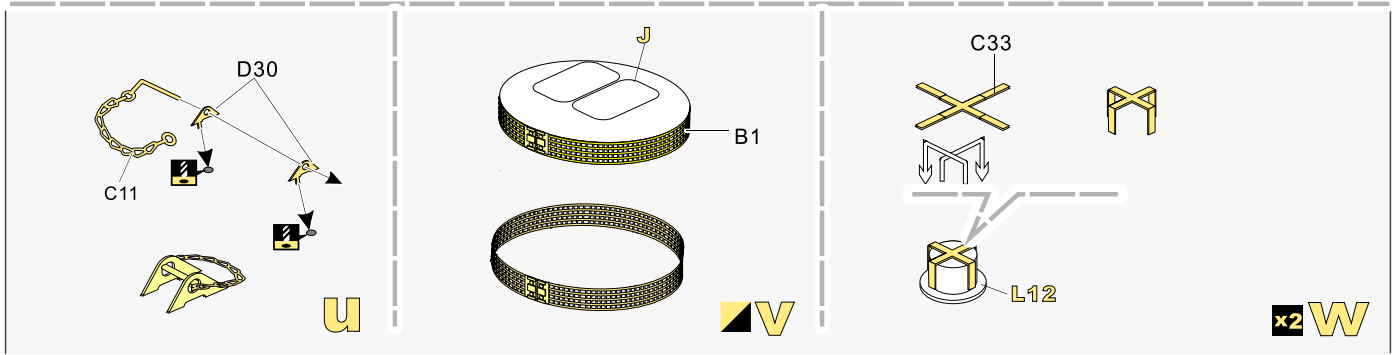
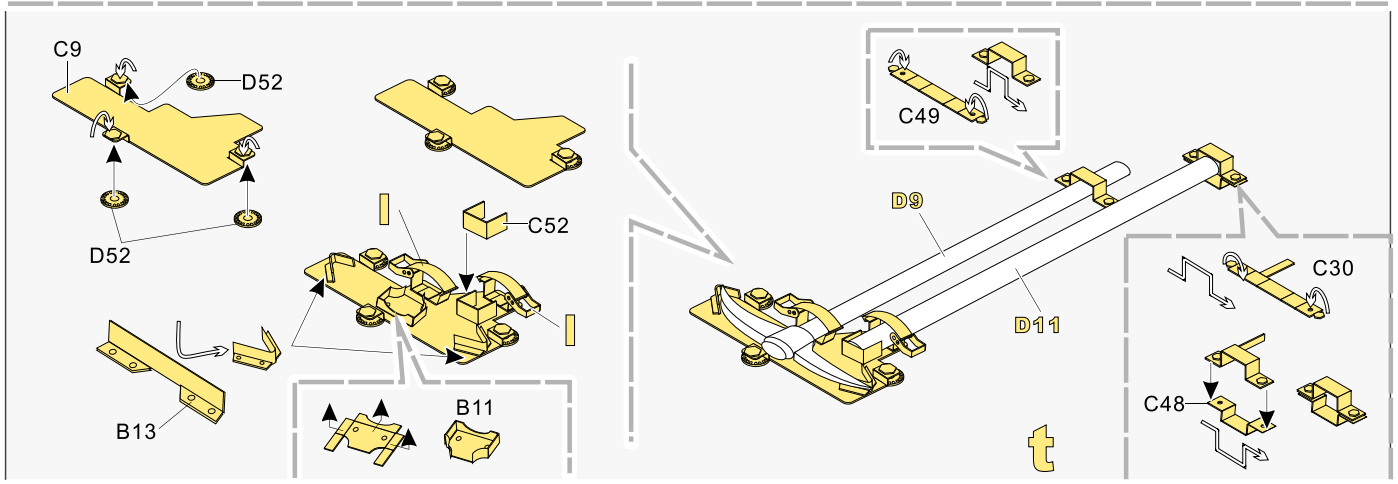
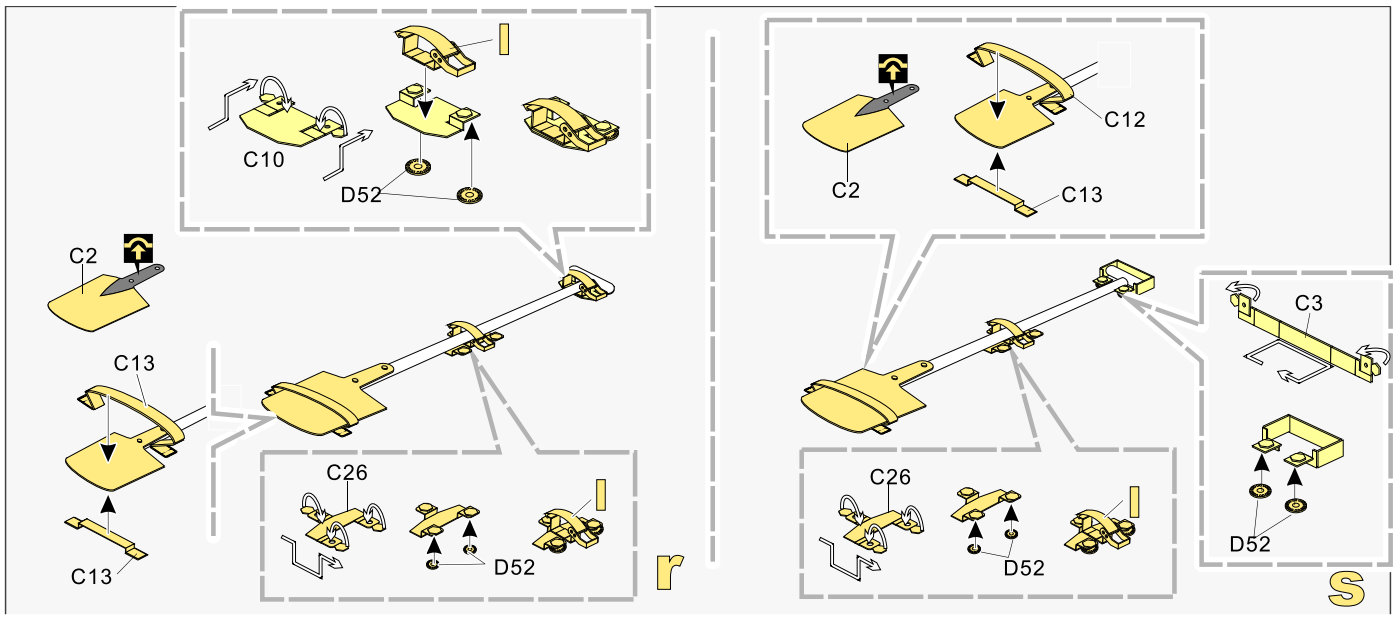
1/35 MILITARY MINIATURE VEHICLE UPGRADE SERIES PE35890



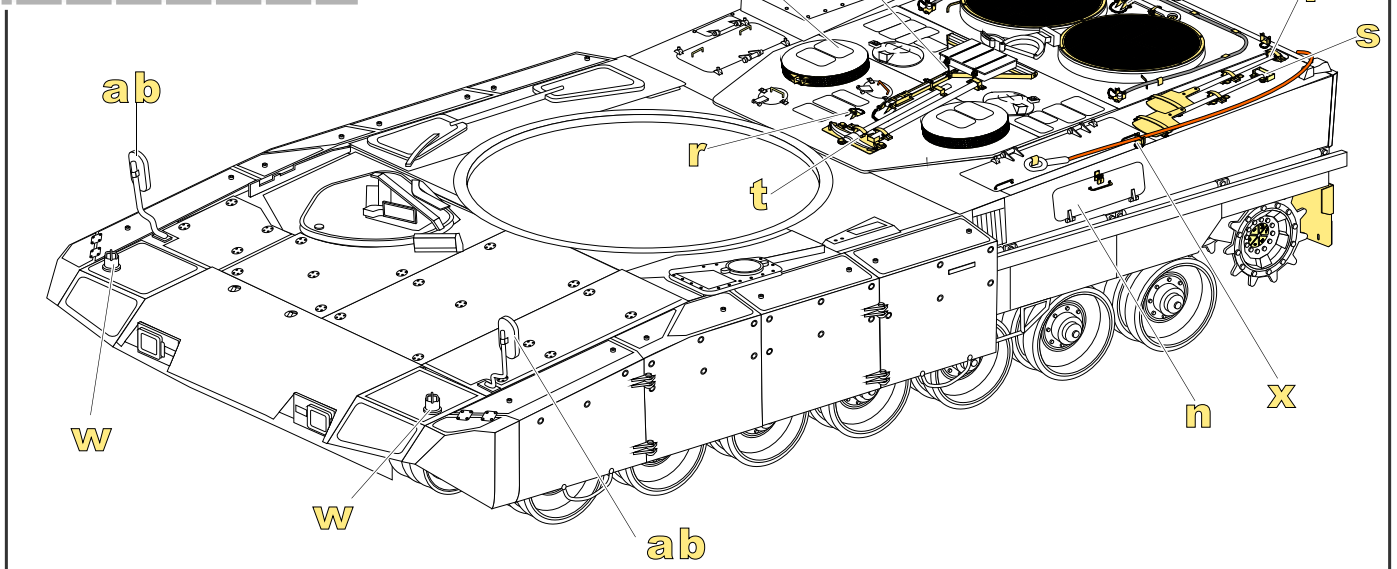
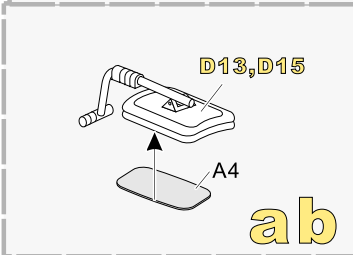
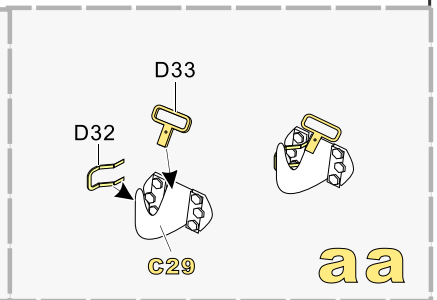
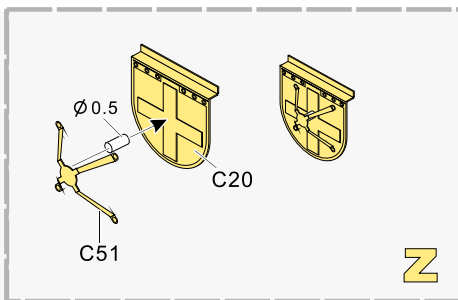
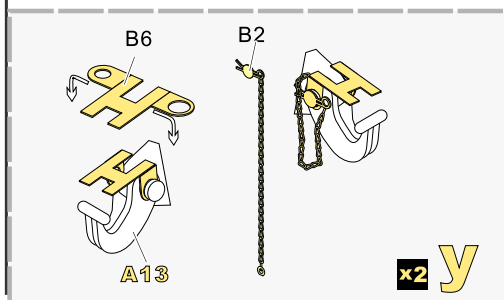
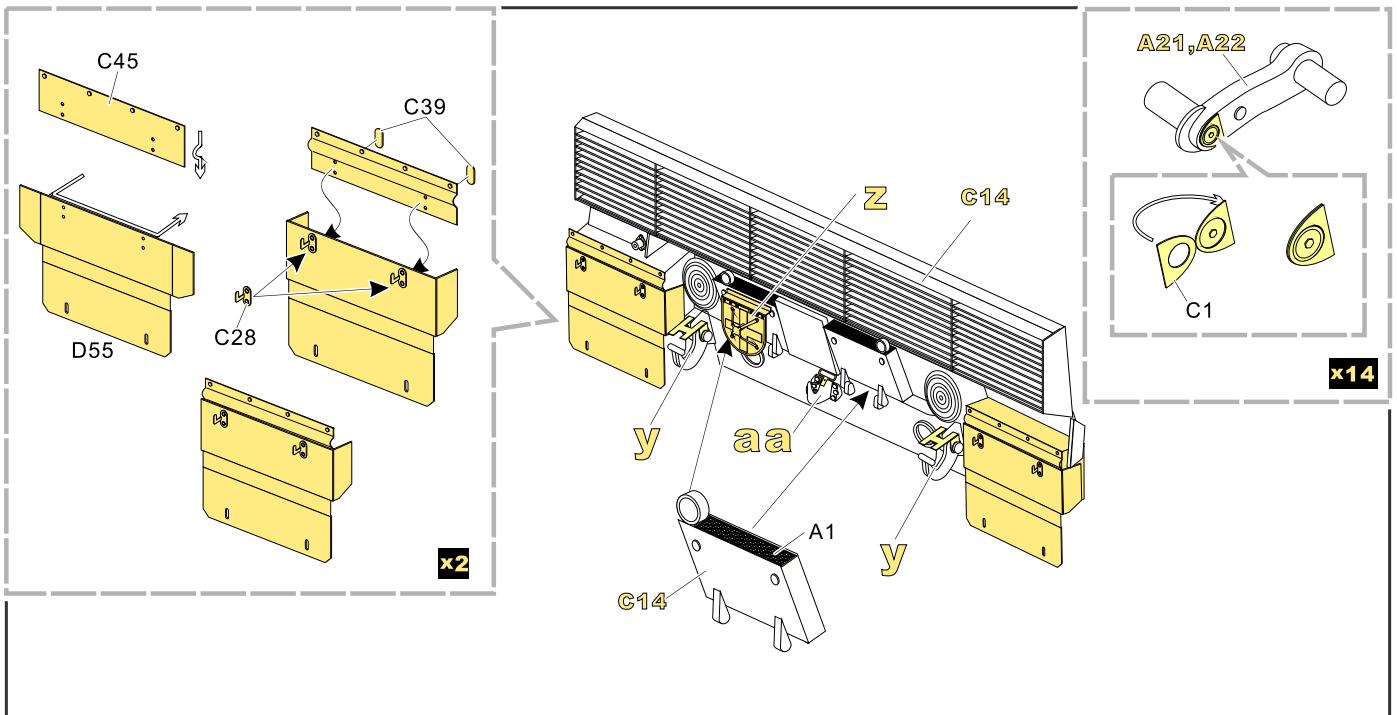
1/35 MILITARY MINIATURE VEHICLE UPGRADE SERIES PE35890



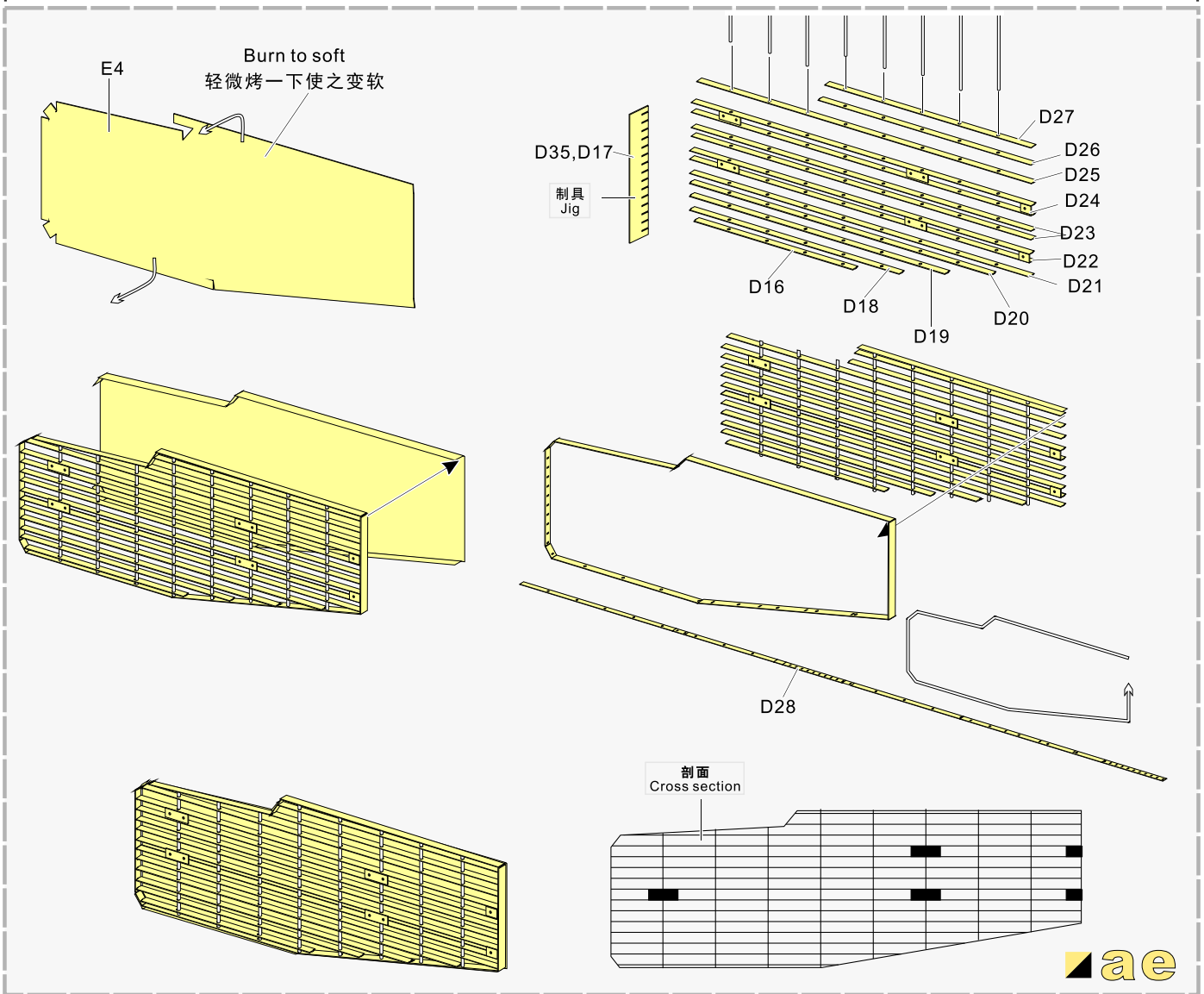
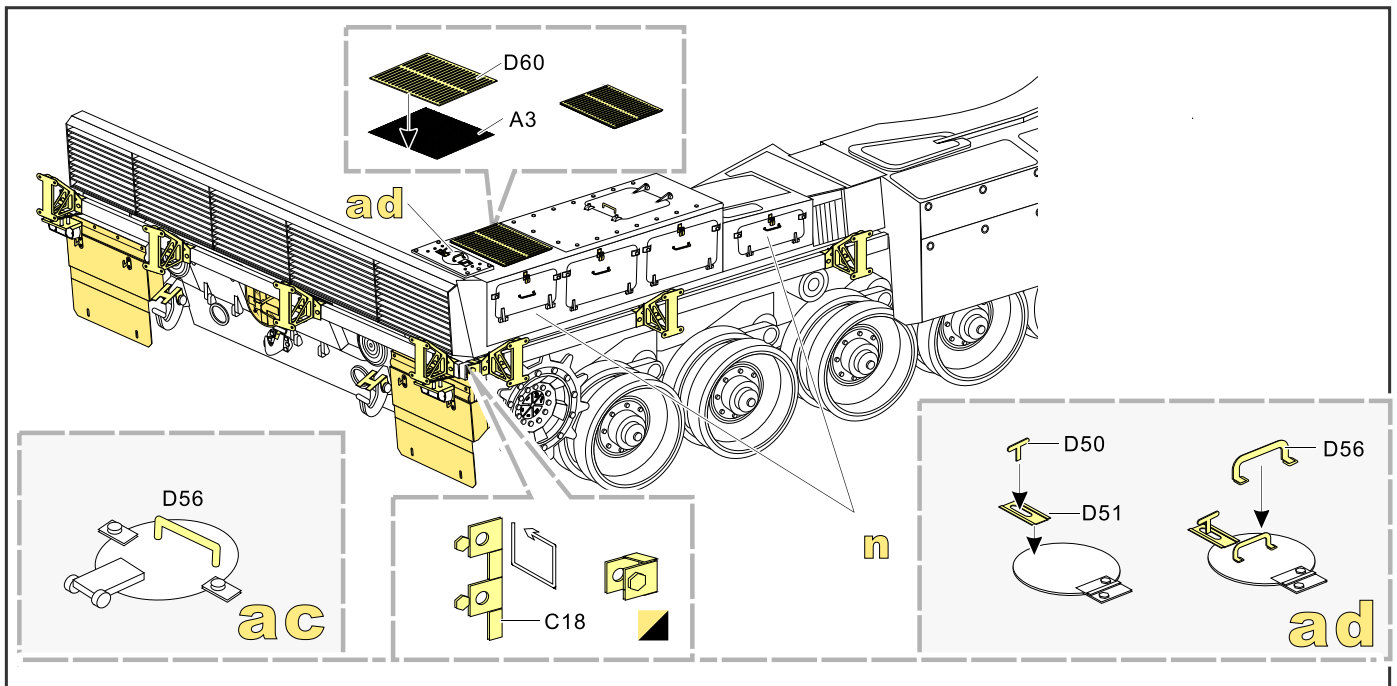
1/35 MILITARY MINIATURE VEHICLE UPGRADE SERIES PE35890



1/35 MILITARY MINIATURE VEHICLE UPGRADE SERIES PE35890



1/35 MILITARY MINIATURE VEHICLE UPGRADE SERIES PE35890



ae

1/35 MILITARY MINIATURE VEHICLE UPGRADE SERIES PE35890

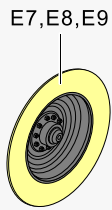
漏喷板使用说明:
Instruction:



未上色零件
Unpainted part



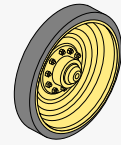
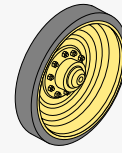
喷橡胶黑
spray tyre black



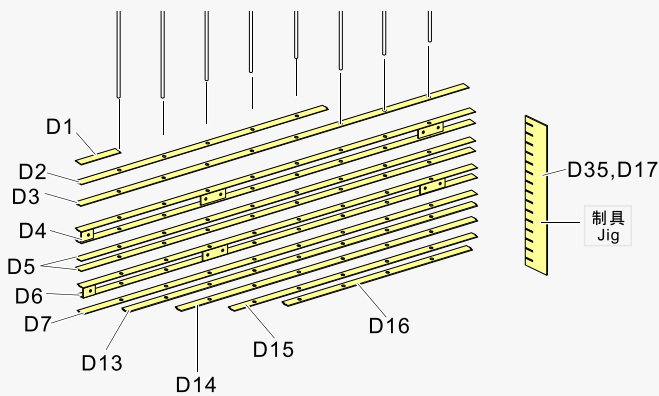
E7, E8, E9



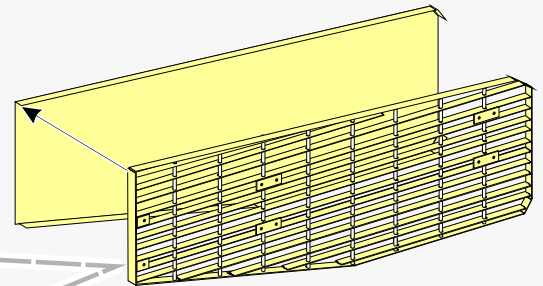
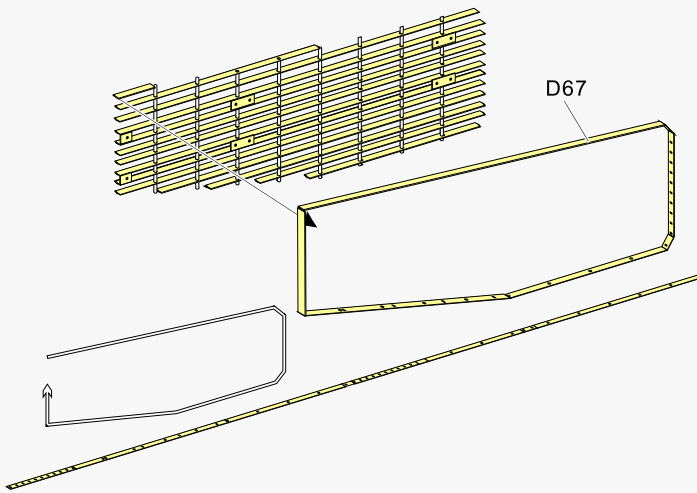
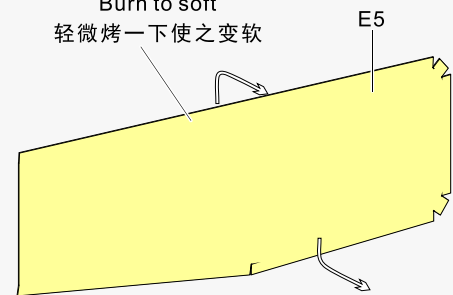
使用遮喷板为轮毂
喷上所需要的颜色
use template to paint
required hub colour



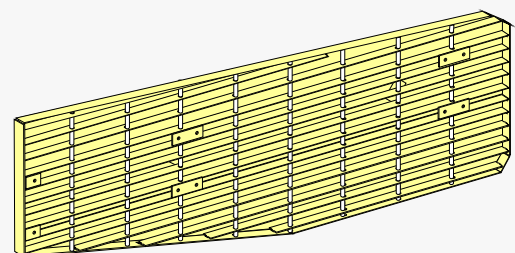
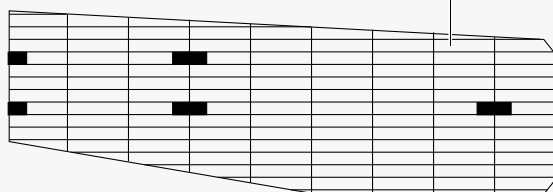
af



Burn to soft
轻微烤一下使之变软

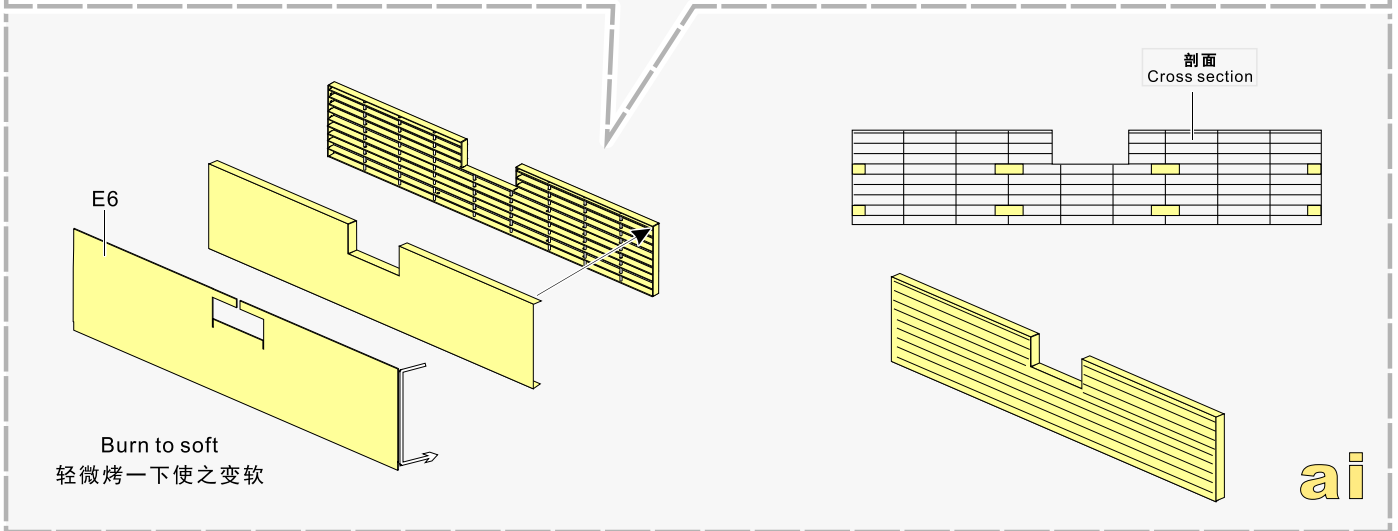
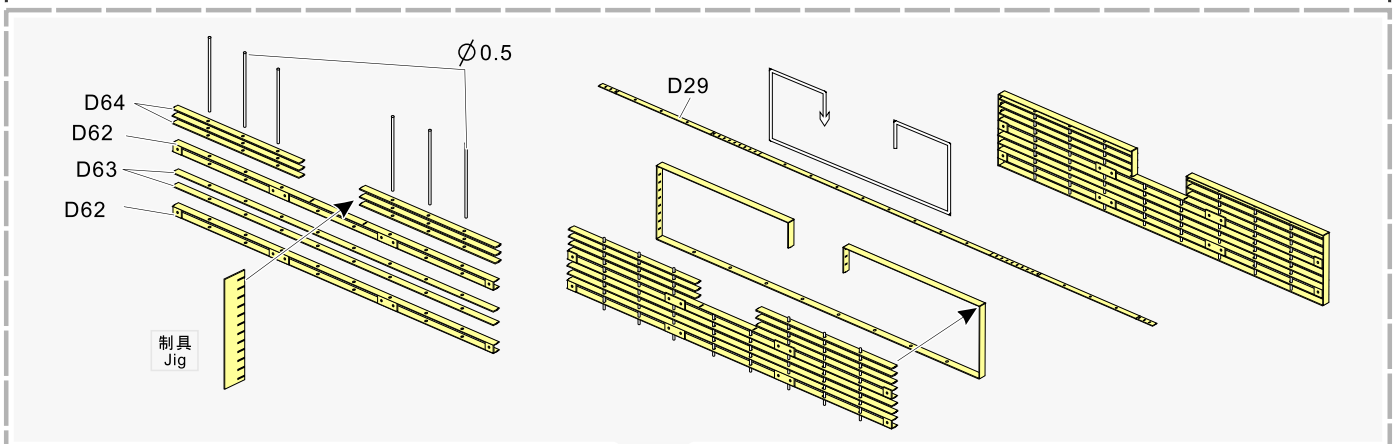
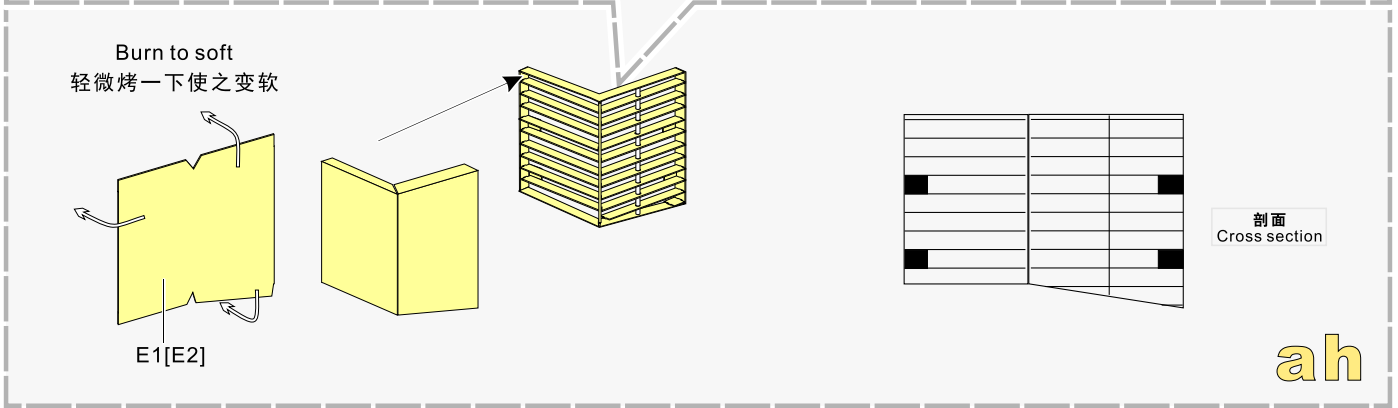
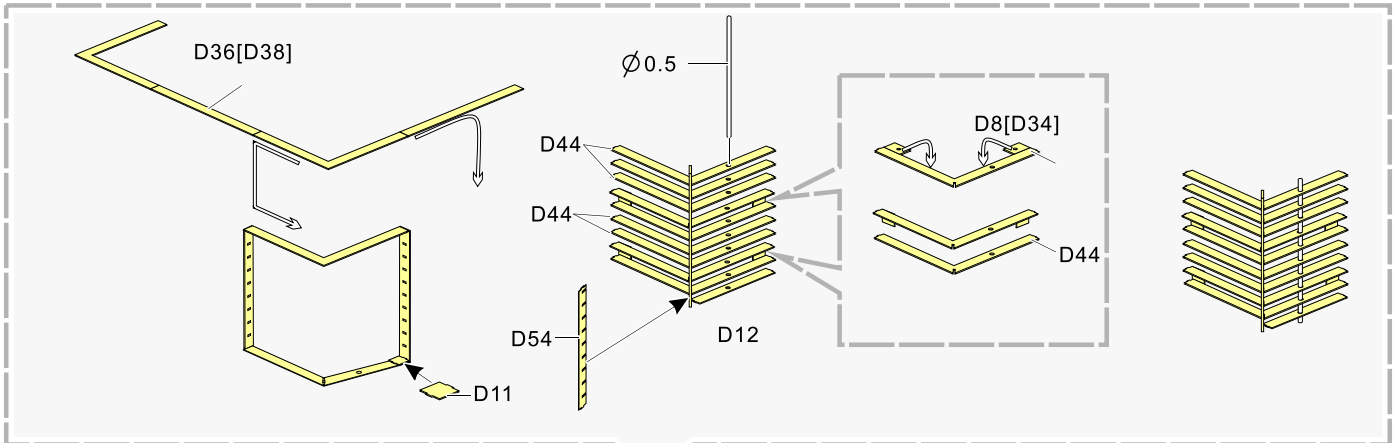


剖面
Cross section

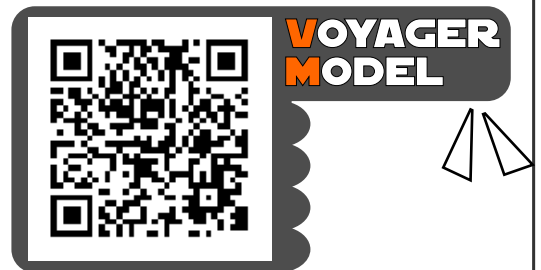
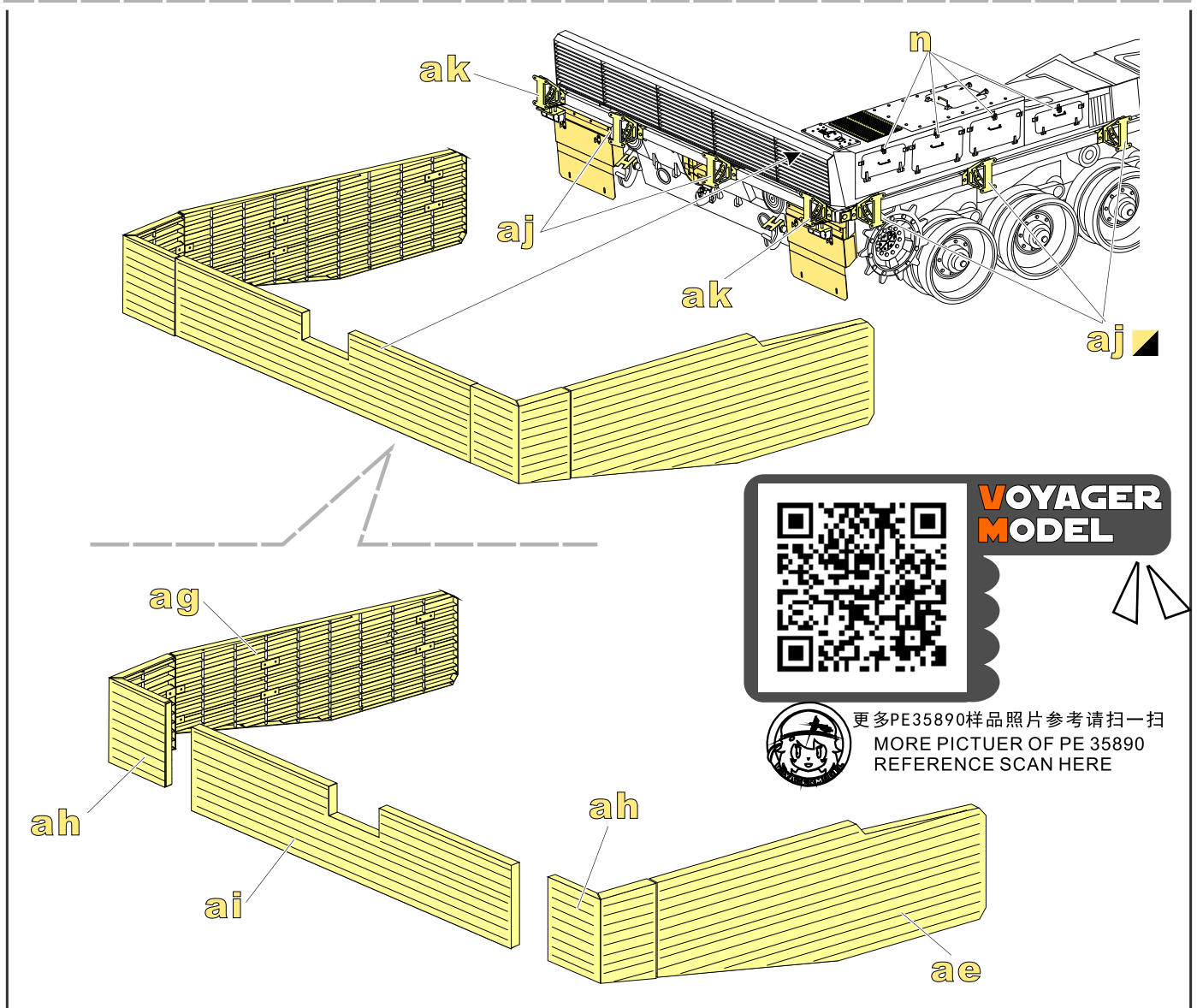
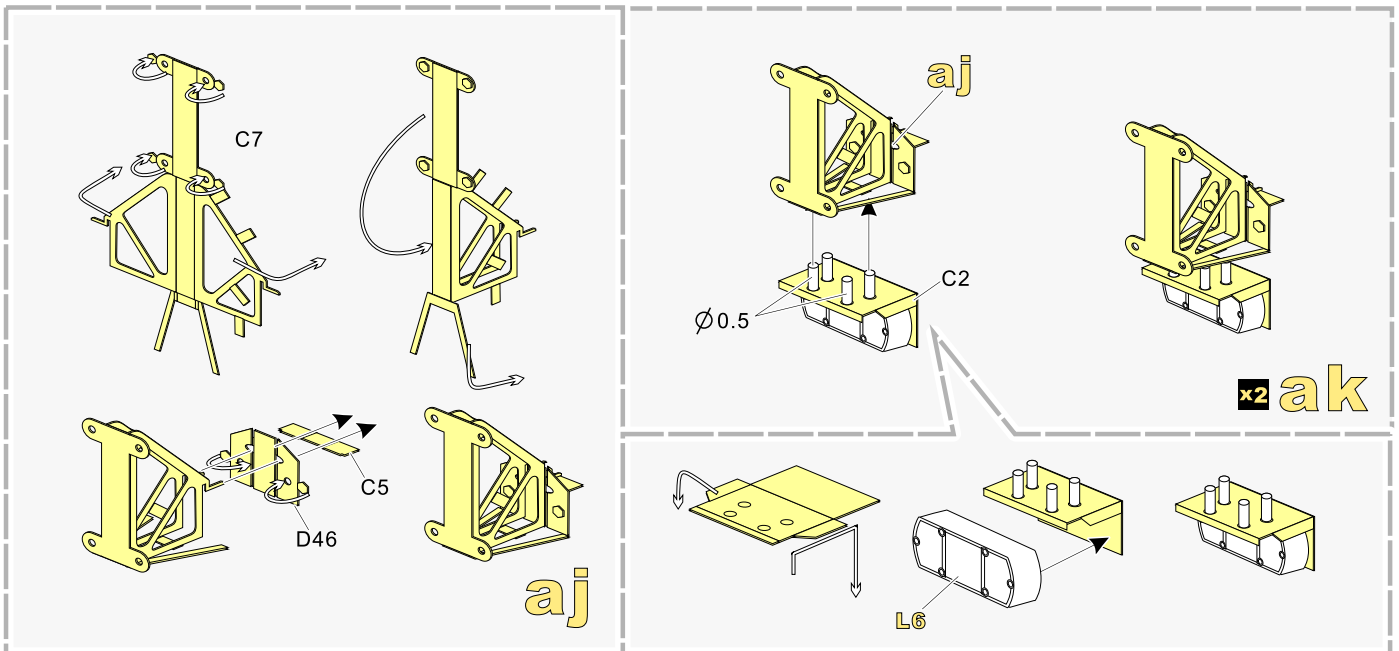


ag

1/35 MILITARY MINIATURE VEHICLE UPGRADE SERIES PE35890

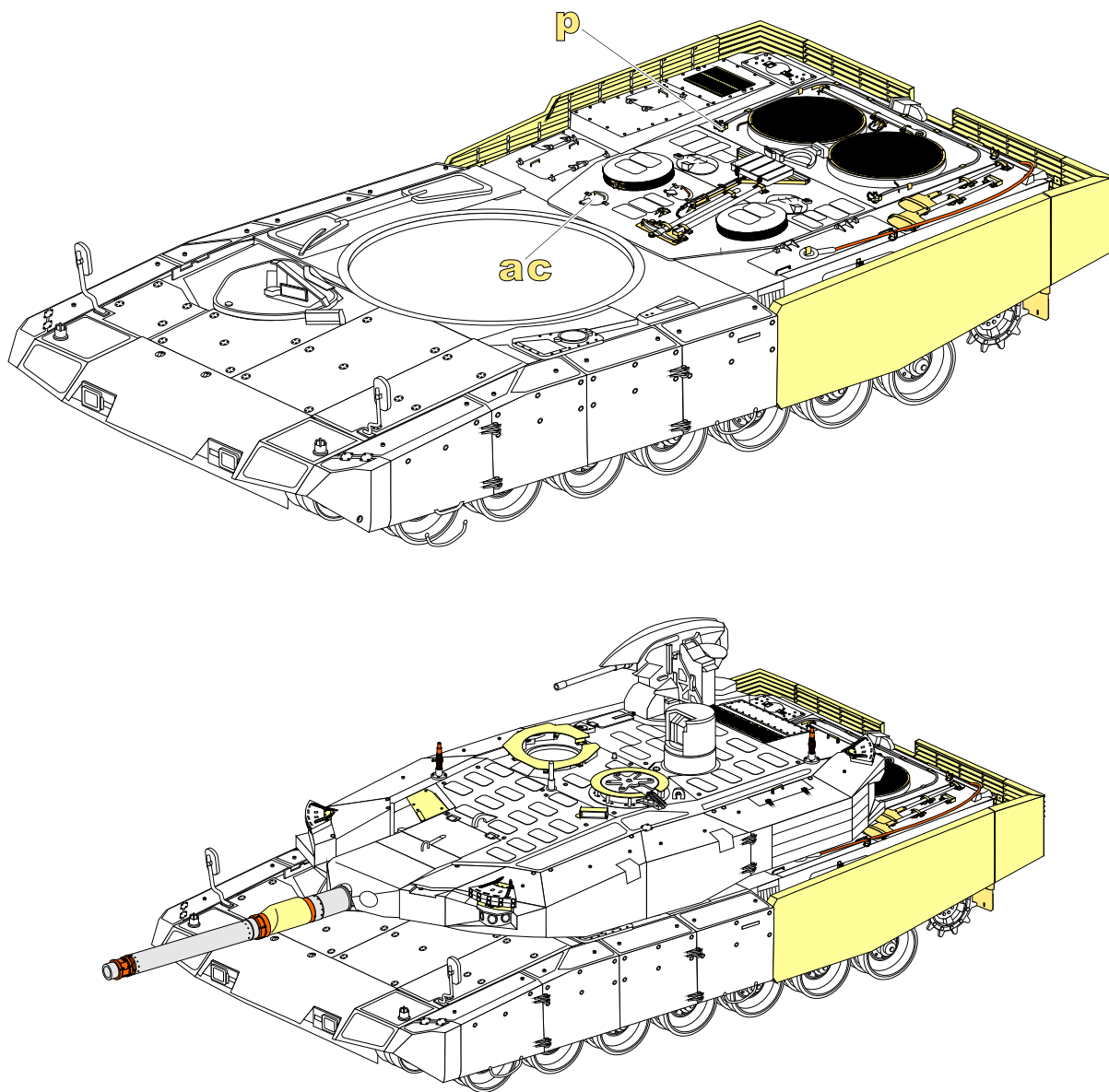


1/35 MILITARY MINIATURE VEHICLE UPGRADE SERIES PE35890



更多PE35890样品照片参考请扫一扫
MORE PICTUER OF PE 35890
REFERENCE SCAN HERE

1/35 MILITARY MINIATURE VEHICLE UPGRADE SERIES PE35890



VOYAGERMODEL[®] 无微不至 极尽享受
The Best Upgrade Solution

Recommended item

PE 35853	Modern German Gepard A2 SPAAG Basic MENG TS-030
PE 35852	Modern German Gepard A1 SPAAG Basic MENG TS-030
PE 35840	Modern German Gepard A1 SPAAG Basic TAKOM 2044
PE 35841	Modern German Gepard A2 SPAAG Basic TAKOM 2044
PE 35699	Modern German PzH2000 SPH basic(atenna base include) MENG TS-012
PE 35685	Modern Canadian Leopard C2 MBT (Gun barrel ,smoke discharger, atenna base include)
PE 35739	Modern German Leopard1A5 MBT (Gun barrel ,smoke discharger, atenna base include)
BR 35024	Modern German Leopard 2A4 Lenses and taillights
PE 35774	Modern German Leopard 2A4 Basic
PE 35859	Modern German Leopard 2A7 Basic
PE 35631	Modern German Leopard 1A3 MBT (Gun barrel Include)
PE 35636	Modern German Leopard 1A4 MBT (Gun barrel Include)
PE 35652	Modern Canadian Leopard C2 MEXAS MBT(Gun barrel ,smoke discharger include)
PE 35684	Modern German Leopard1A5 MBT (Gun barrel ,smoke discharger, atenna base include)
VBS0517	Modern German Rh-M-120 L/44 120mm Gun Barrel w/machine gun(Leopard2A4 Revolution 1)
VBS0196	Modern German Rh-M-120 L/44 120mm Gun Barrel (Leopard2A4used)
VBS0199	Modern German Rh-M-120 L/55 120mm Gun Barrel (Leopard2A6used)
VBS0200	Modern German Rh-M-120 L/44 120mm Gun Barrel (Leopard2A5used)