

德国12吨DB9(88mm炮搭载车)

German 8.8cm Flak 18 Selbstfahrlafette

READ BEFORE ASSEMBLY:

- Study and understand these instructions thoroughly before beginning assembly
- When needed, remove photo-etch parts carefully using a modeling knife or photo etch sprue cutter, being careful not to damage or lose small parts.
- Take extra care in handling photo etch parts in order to avoid injury
- Apply instant cement sparingly to photo etch parts where instructed
- Tools recommended(not included in kit):Plastic and instant cements, sprue cutters,long nose pliers,modeling knife, small files, tweezers, pin vise & scissors. Soft cloth and sandpaper will also assist in construction
- Glue and paint are not included in the kit. Use plastic cement and hobby paints only. Color guide for purchasing paint is included in the kit.

装配之前仔细阅读

- 小心用模型锉刀锉平所有零件表面的注射浇口。
- 小心用刀片切下蚀刻片零件，不要遗失小零件。
- 用强力快干胶水粘合蚀刻片零件和金属轴。过量快干胶水使用可能导致可动零件会粘住，小心涂胶。
- 取蚀刻片时应特别注意安全，防止利边划伤手指。
- 某些零件表面需贴上水贴纸，请选择在装配的同时进行。
- 推荐模型工具(自备)：胶水，水口剪刀，长咀钳，刀片，锉刀，镊子，钳，钻，剪刀，瞬间快干胶。
- 软布同砂纸同时也应该是必备工具。
- 请使用塑料胶水和油漆，模型内不含。



配重
Weight



使用强力胶
Cyanoacrylate glue



钻孔
Make hole



切除
Cut / Remove



贴纸
Decal



锉平
File / Sand



选择
Option



不涂胶水
No cement



弯曲
Bend

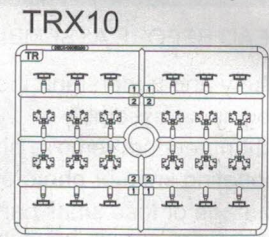
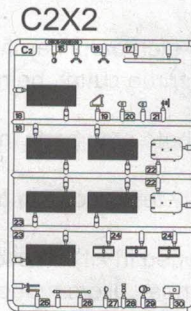
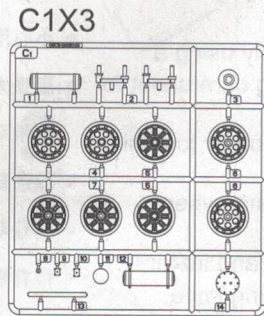
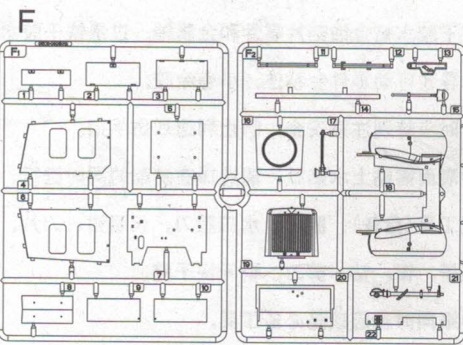
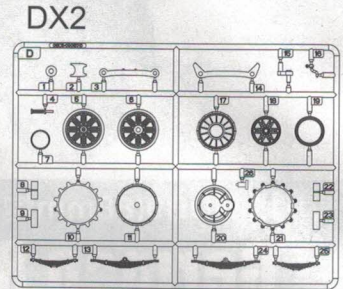
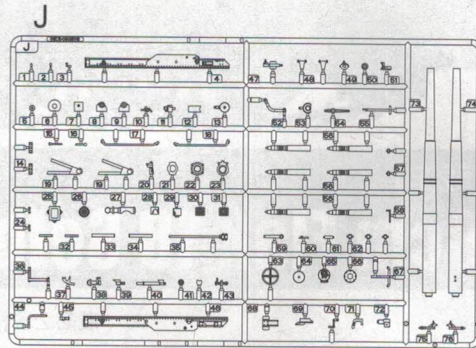
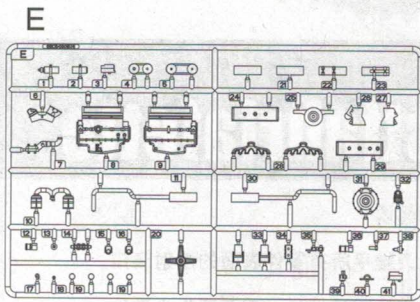
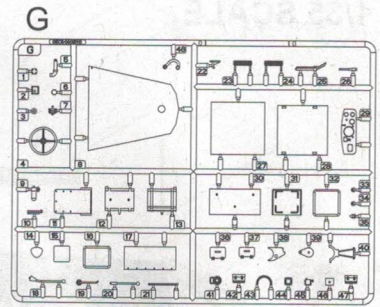
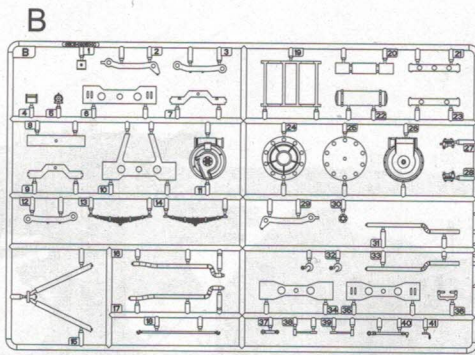
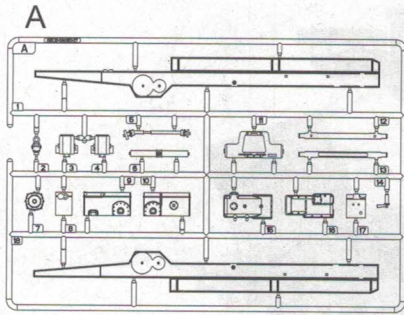
水贴纸的使用:

- 1.从水贴上剪下印花;
- 2.将印花放入温水中浸10秒, 然后放在干净布上。
- 3.拿着印花纸板将印花移到模型上;
- 4.手指蘸水将印花移到适当的位置;
- 5.用软布轻压印花直至水干, 气泡消失

DECAL APPLICATION

- 1.Cut decals from sheet as needed
- 2.Dip the decal in warm water for about 10 seconds and then place on soft clean cloth.
- 3.Hold the decal backing sheet edge and gently slide the decal onto the model in its proper position.
- 4.While still wet,decal can be adjusted for better fit on model by dampening it gently with your finger.
- 5.When placed in the proper position,gently press decal down with a soft cloth until excess water and air bubbles are gone.
- 6.Allow decal to dry completely before handling model

部品图
Parts



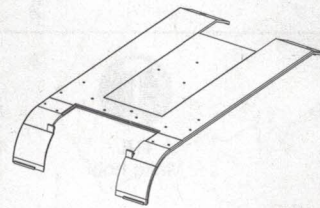
《铜介子A》 X2
Tube



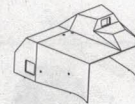
《铜介子B》 X1
Tube



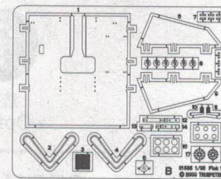
《车面》
Upper hull



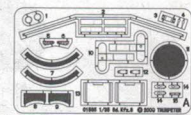
《驾驶室》
CAB



《蚀刻片B》
PE-B



《蚀刻片A》
PE-A



《铅炮管》
Gun



《轮胎》 X2
Tyre



《铜丝》 : $\varnothing 0.6 \times 80 \text{mm}$
Brass wires



《棉绳》 : $\varnothing 0.6 \times 1000 \text{mm}$
Thread

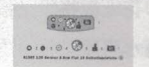


《链条》 : $\varnothing 0.3 \times 80 \text{mm}$
Chain

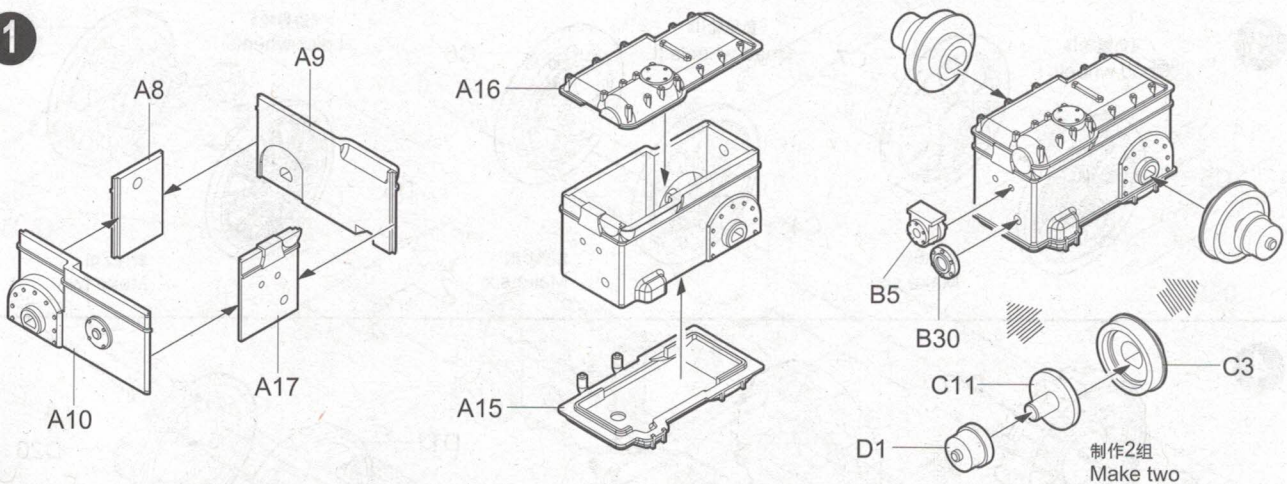


不用部品: PE-A1
No used parts

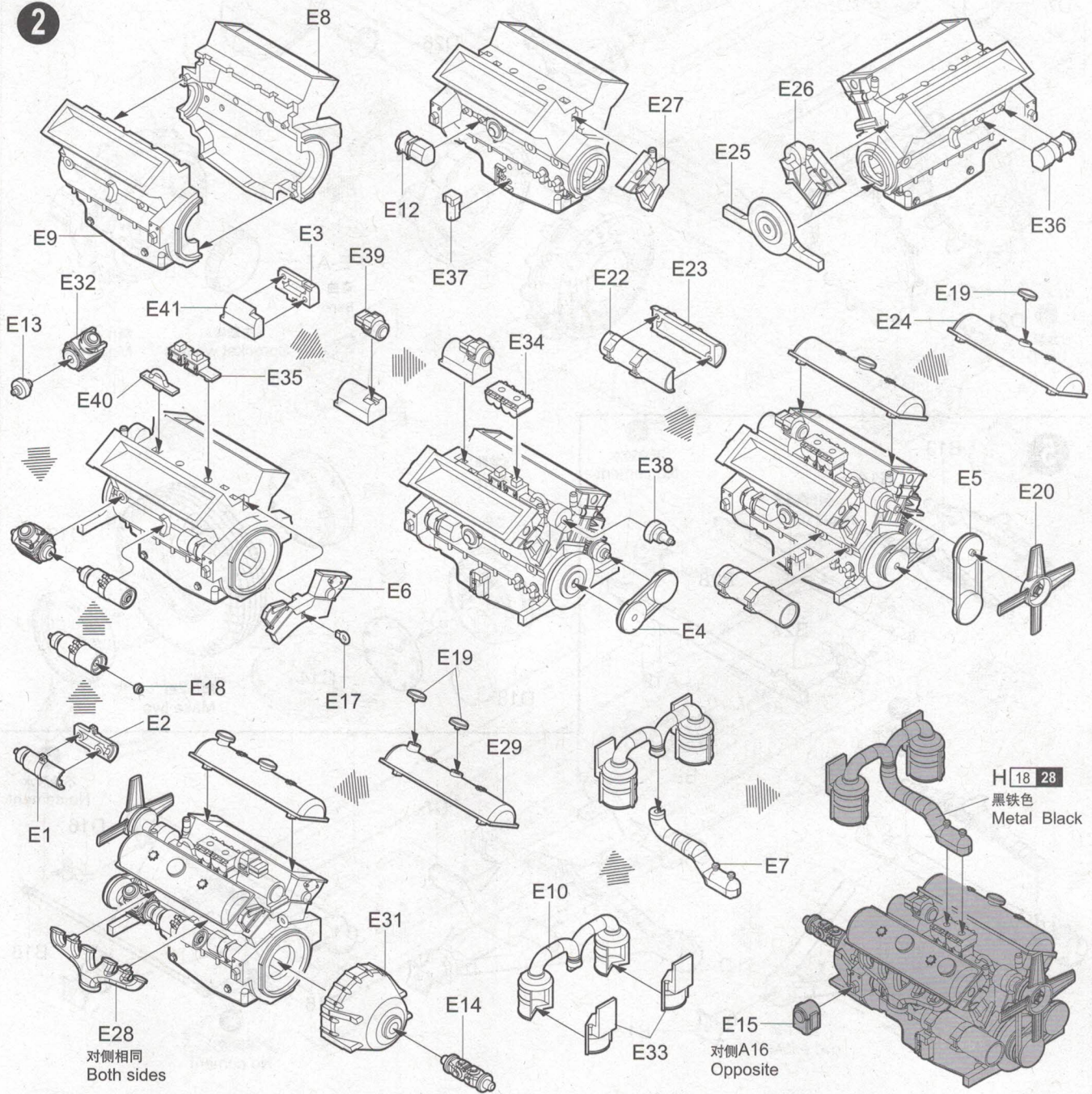
《水贴》
Decal

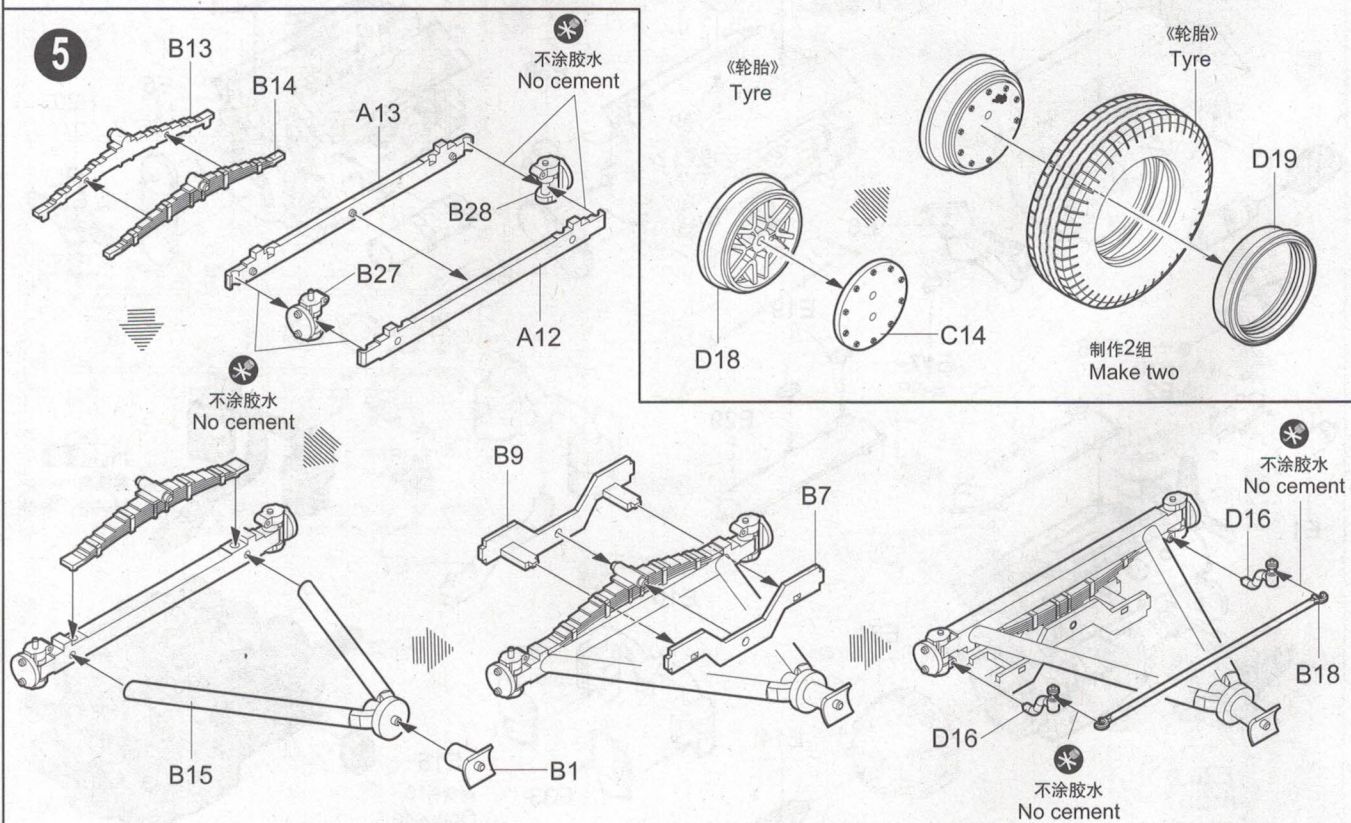
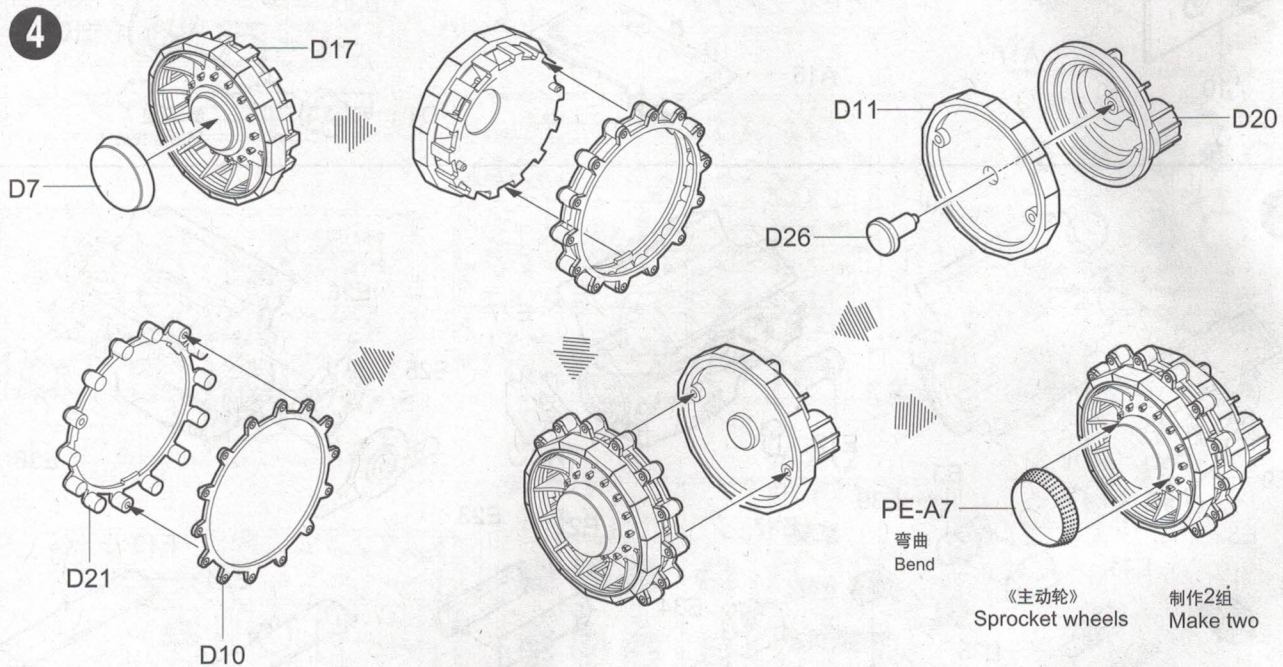
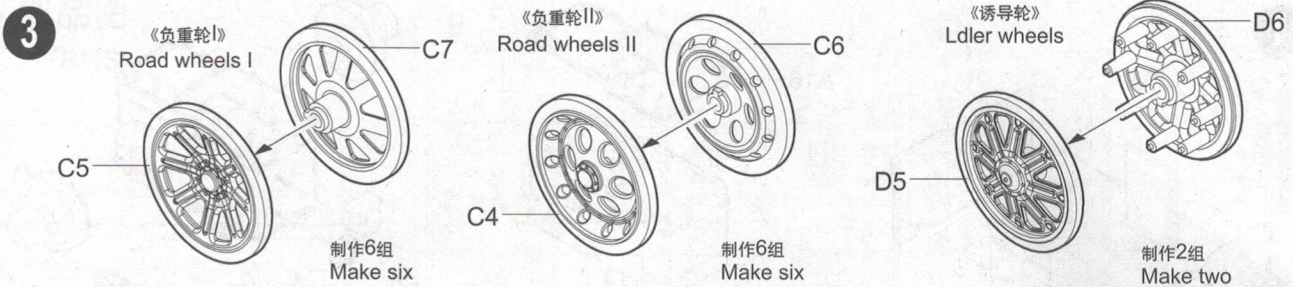


1

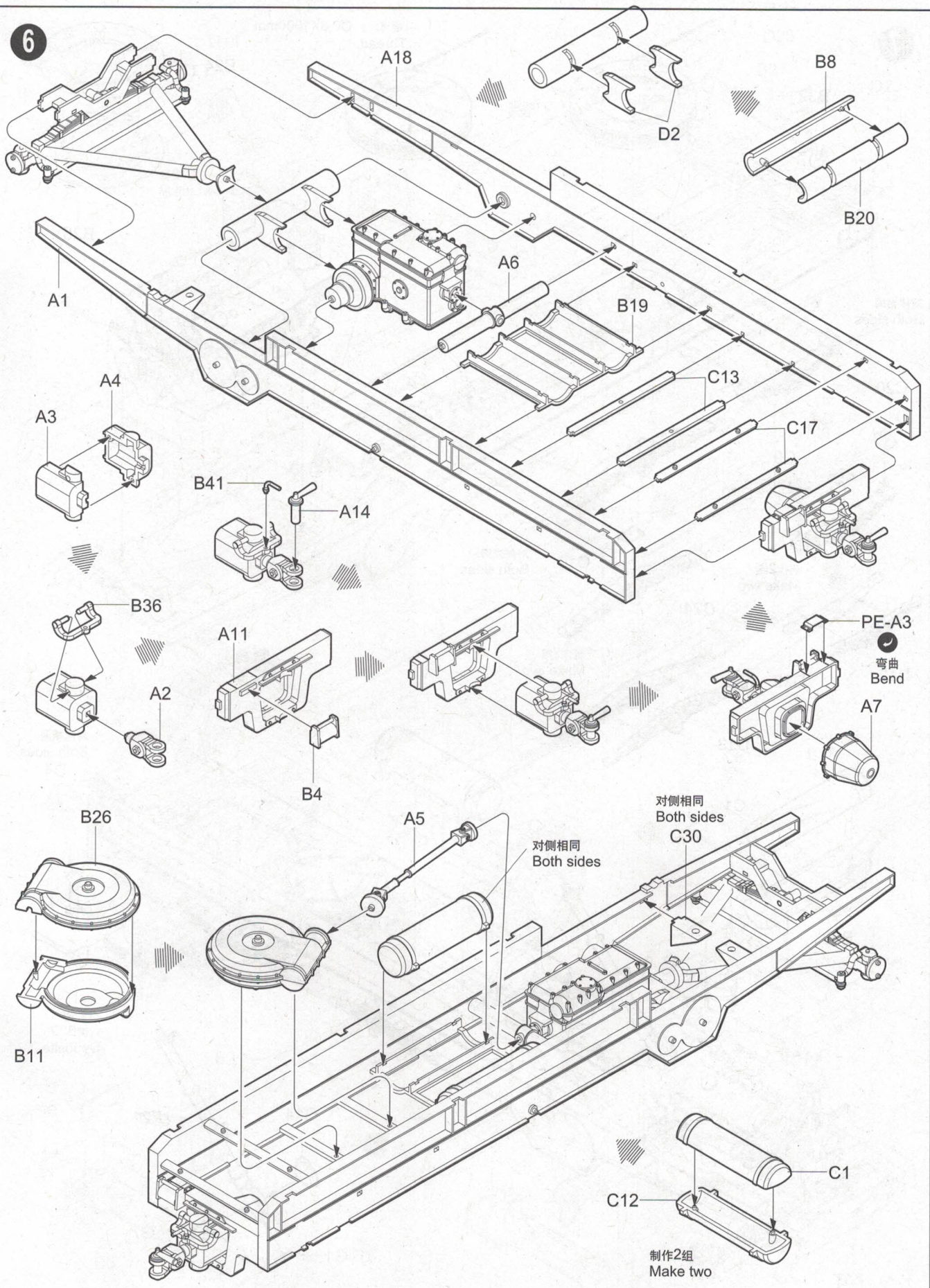


2



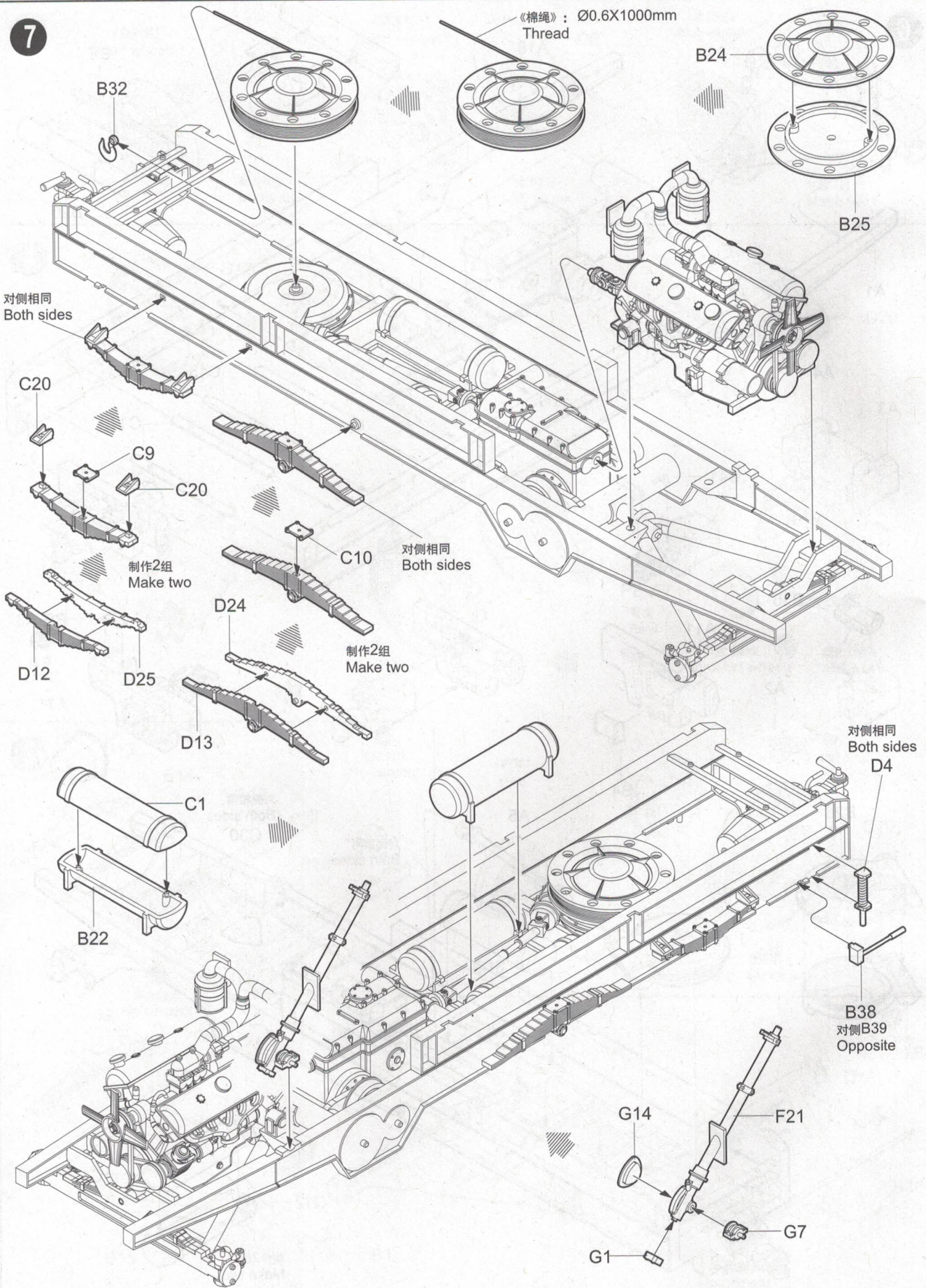


6

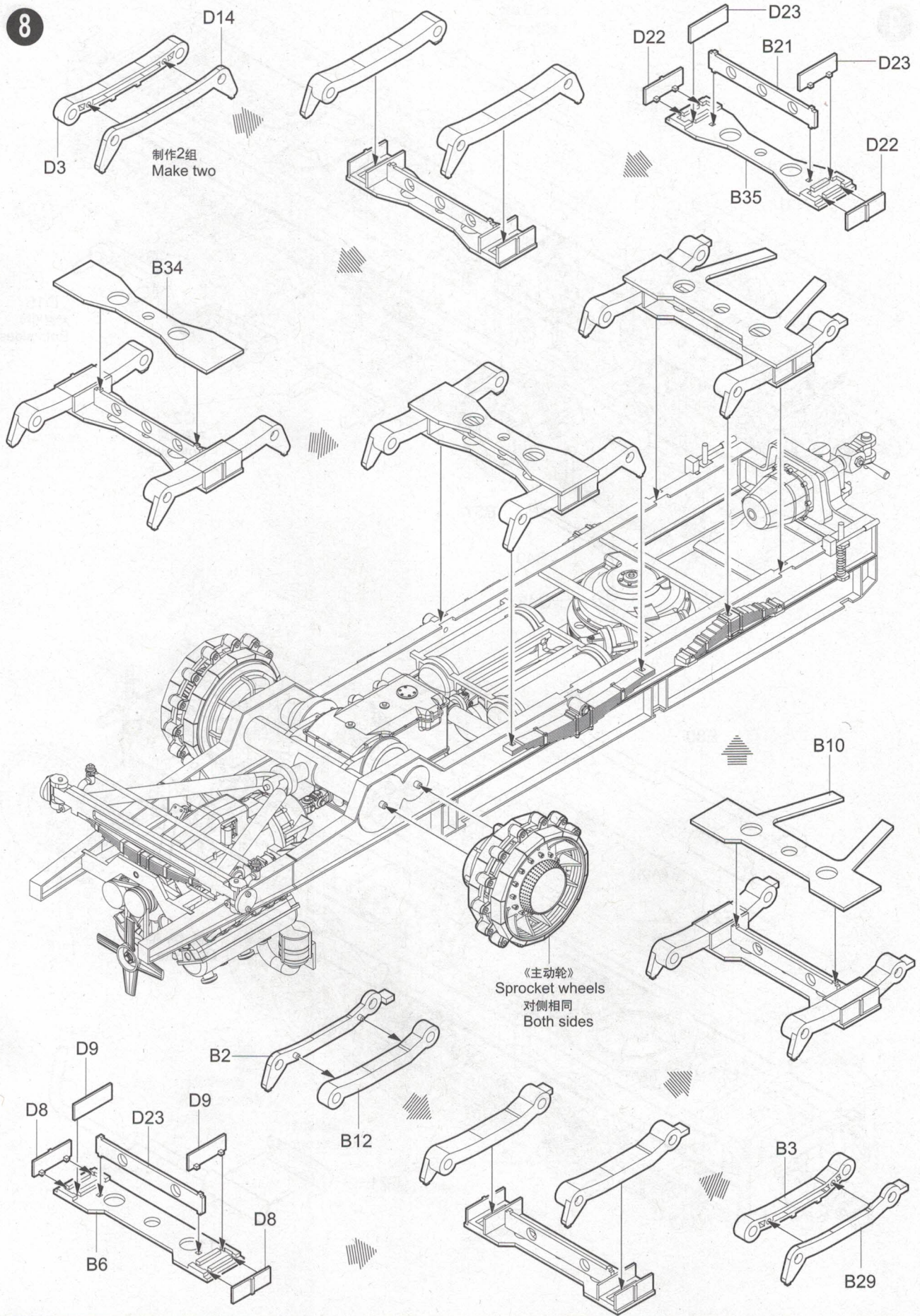


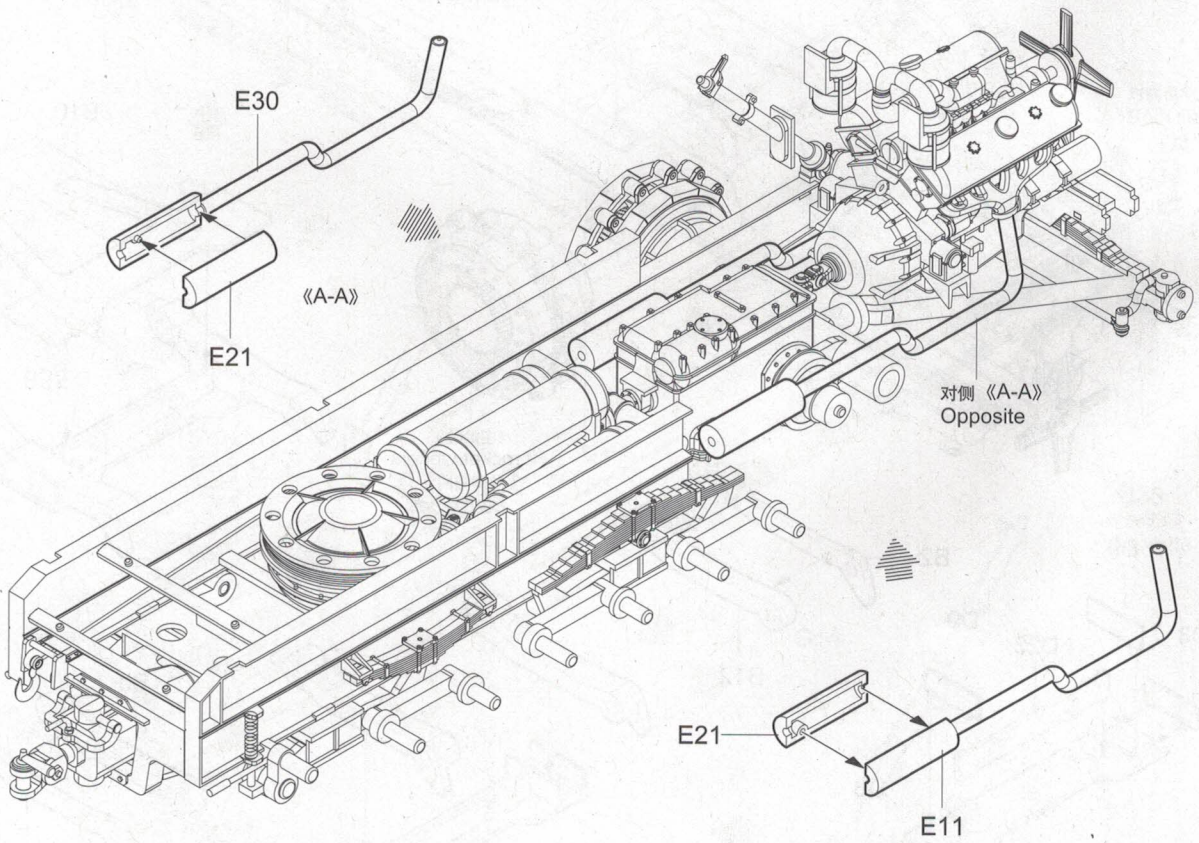
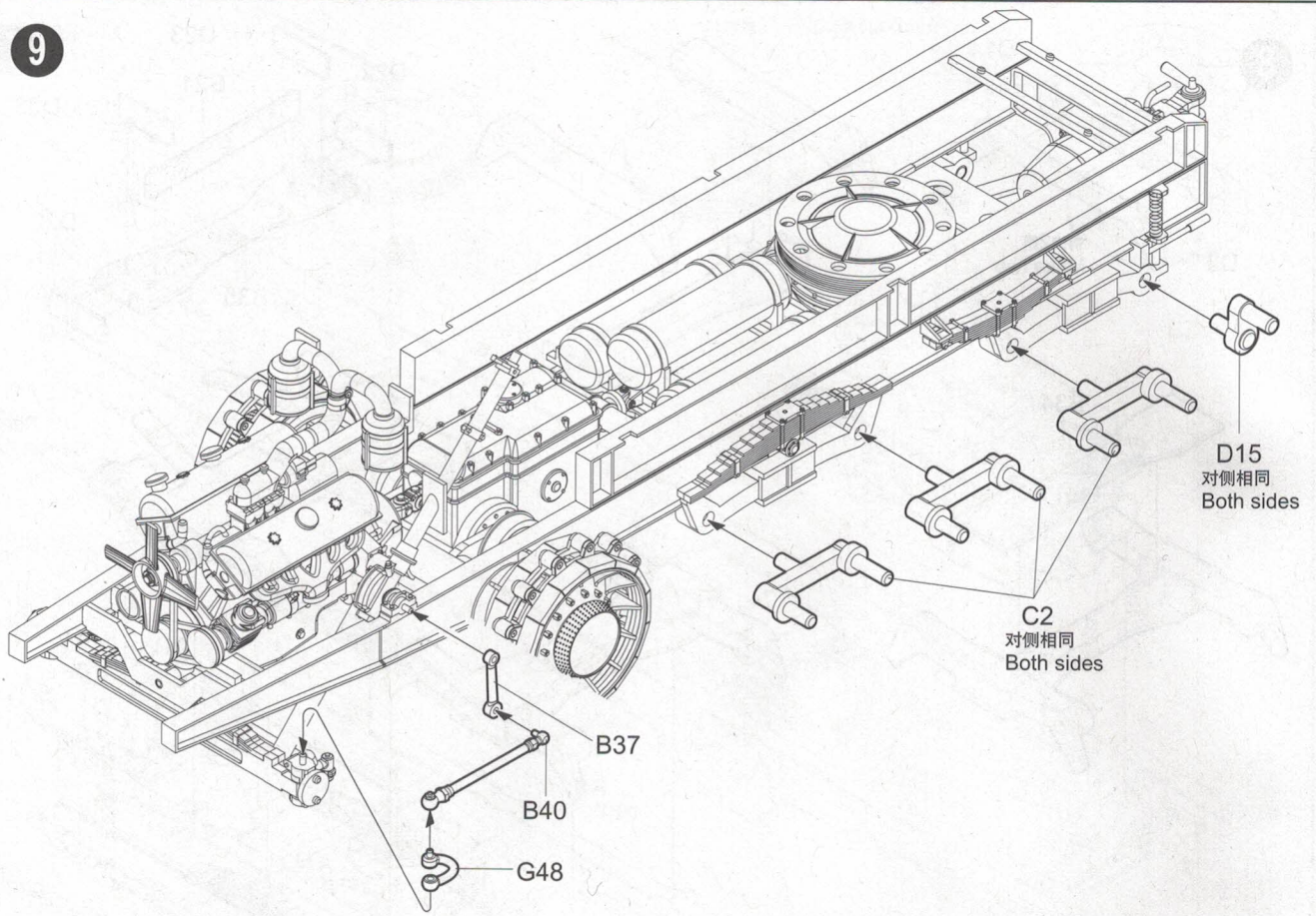
7

《棉绳》: Ø0.6X1000mm
Thread

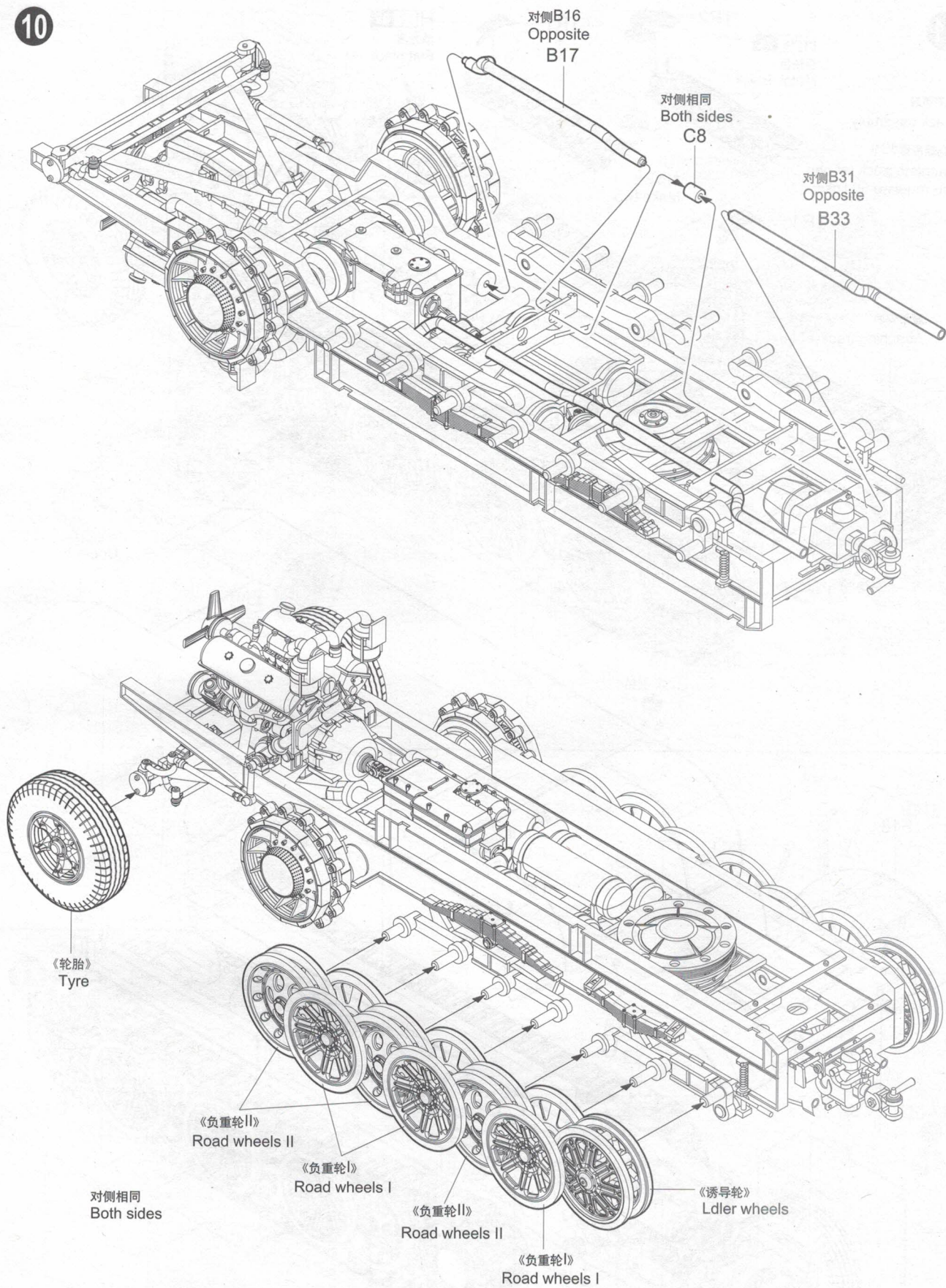


8





10



11

H 18 28
黑铁色
Metal Black

TR2

H 12 33
消光黑
Flat black

履带组装
Track assembly

单侧履带需56节
Complete track for one
side require 56 links

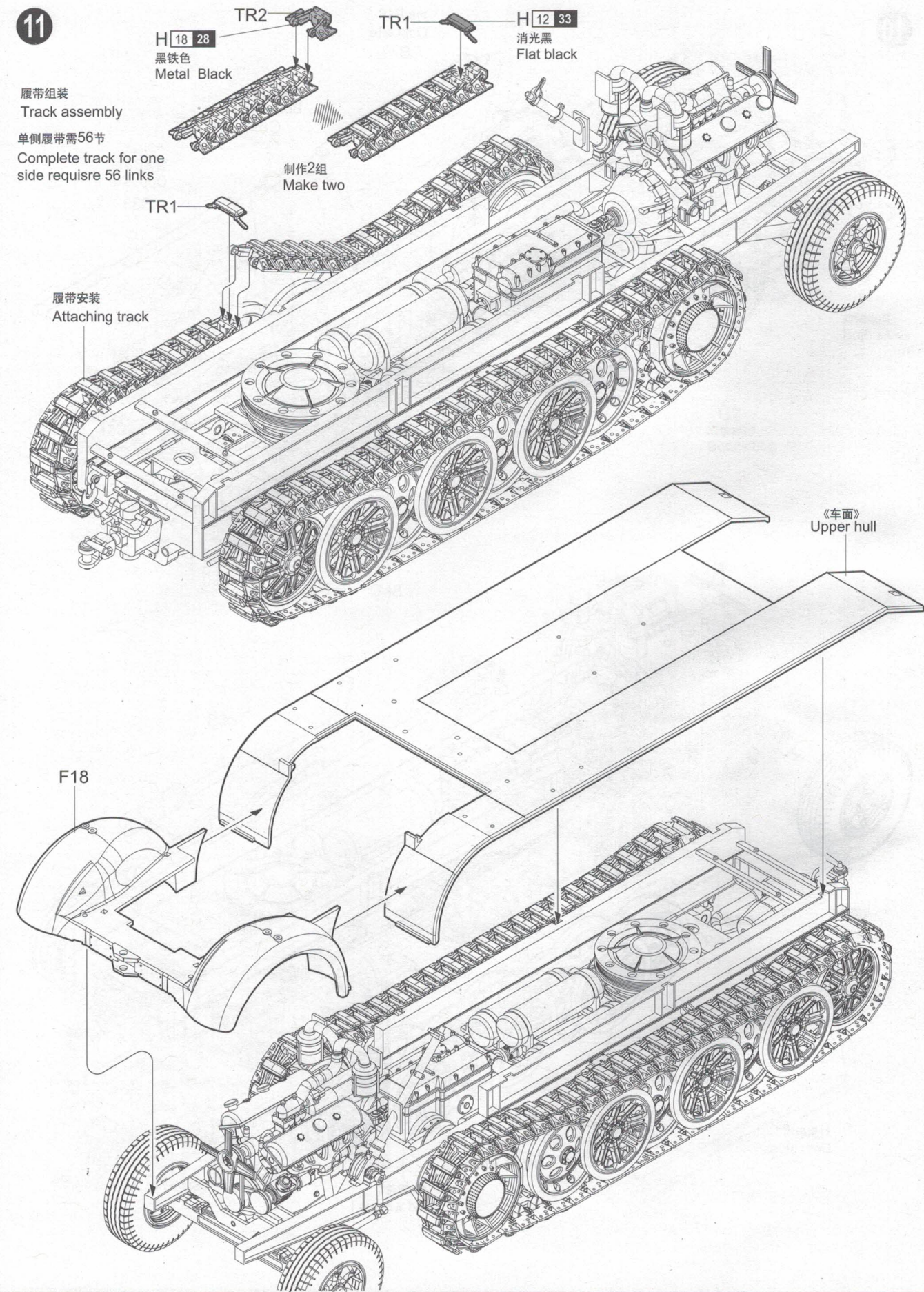
制作2组
Make two

TR1

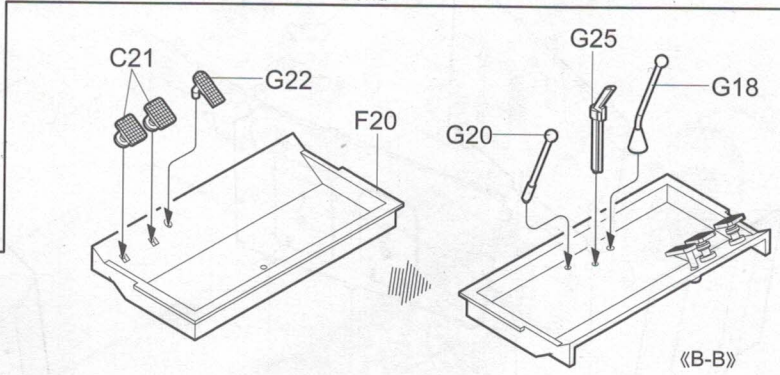
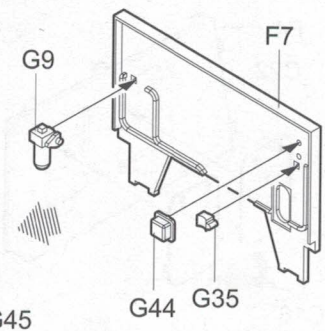
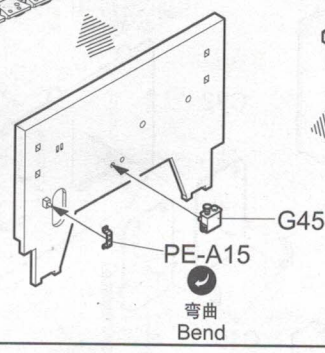
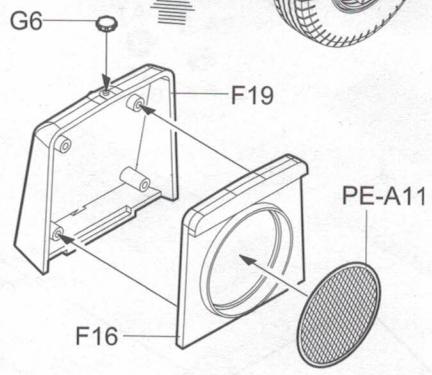
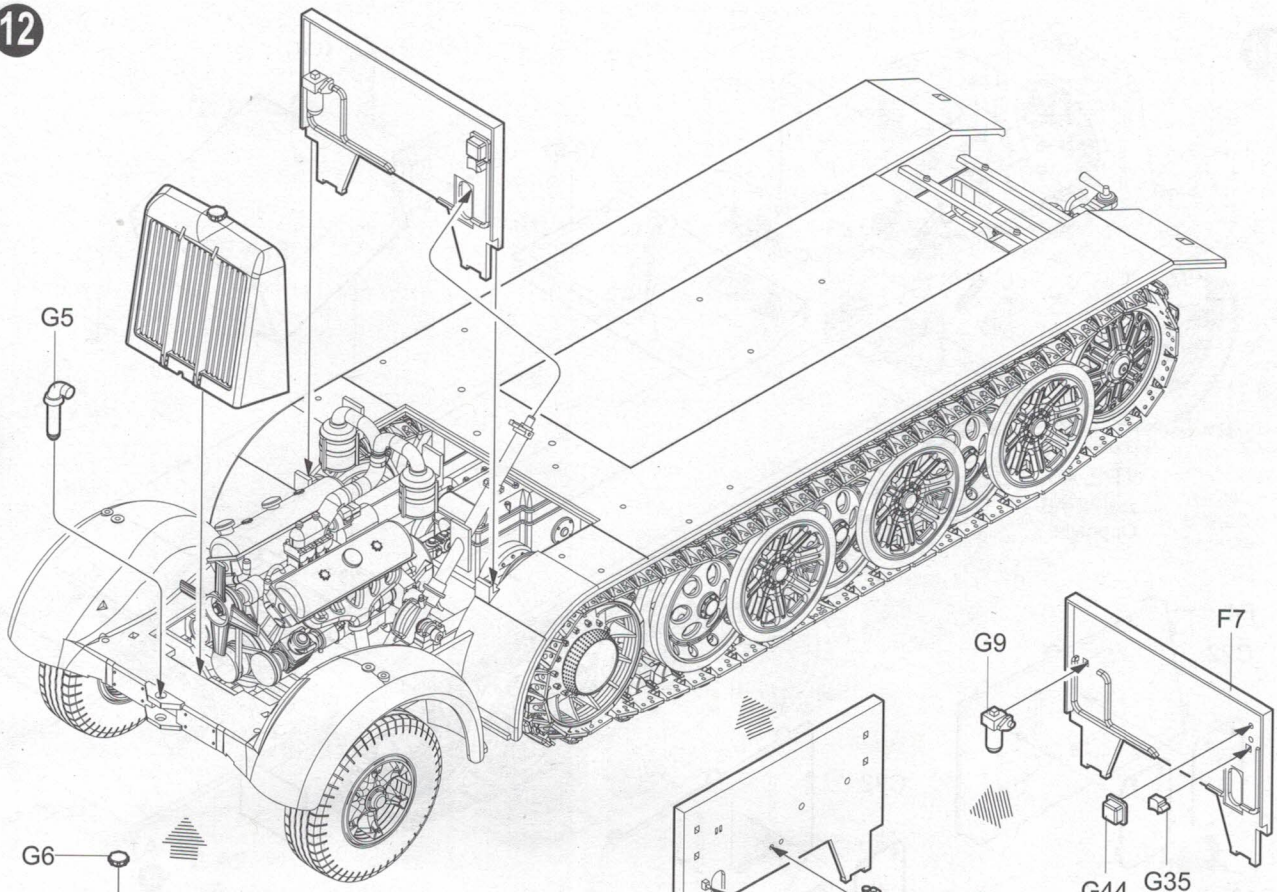
履带安装
Attaching track

《车面》
Upper hull

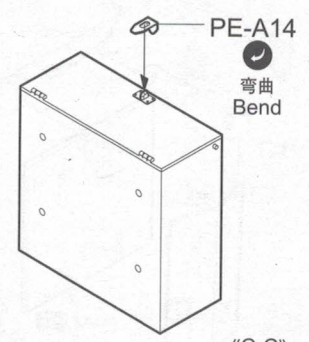
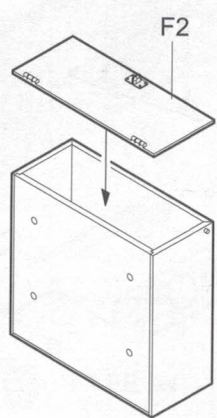
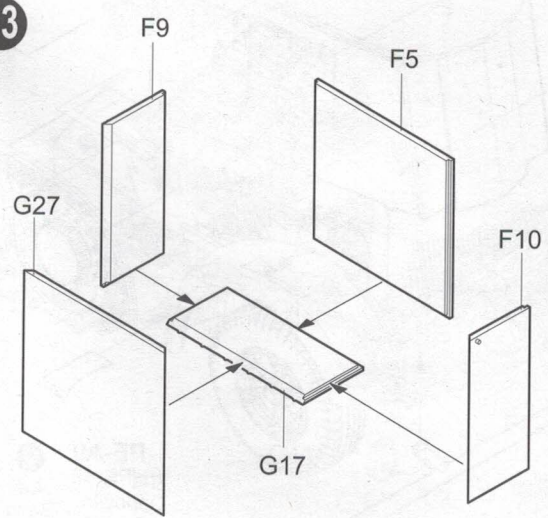
F18



12

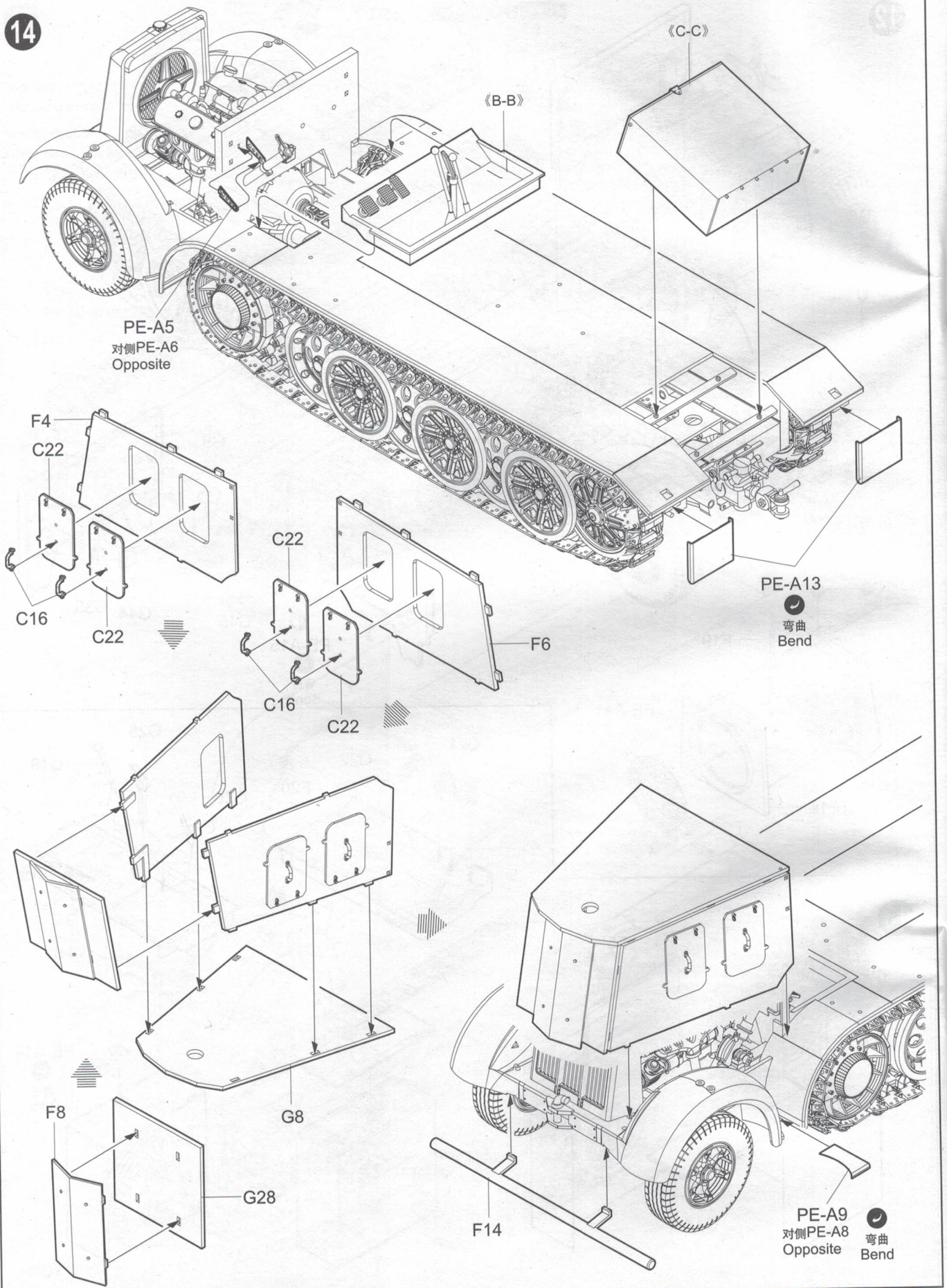


13



«C-C»

14

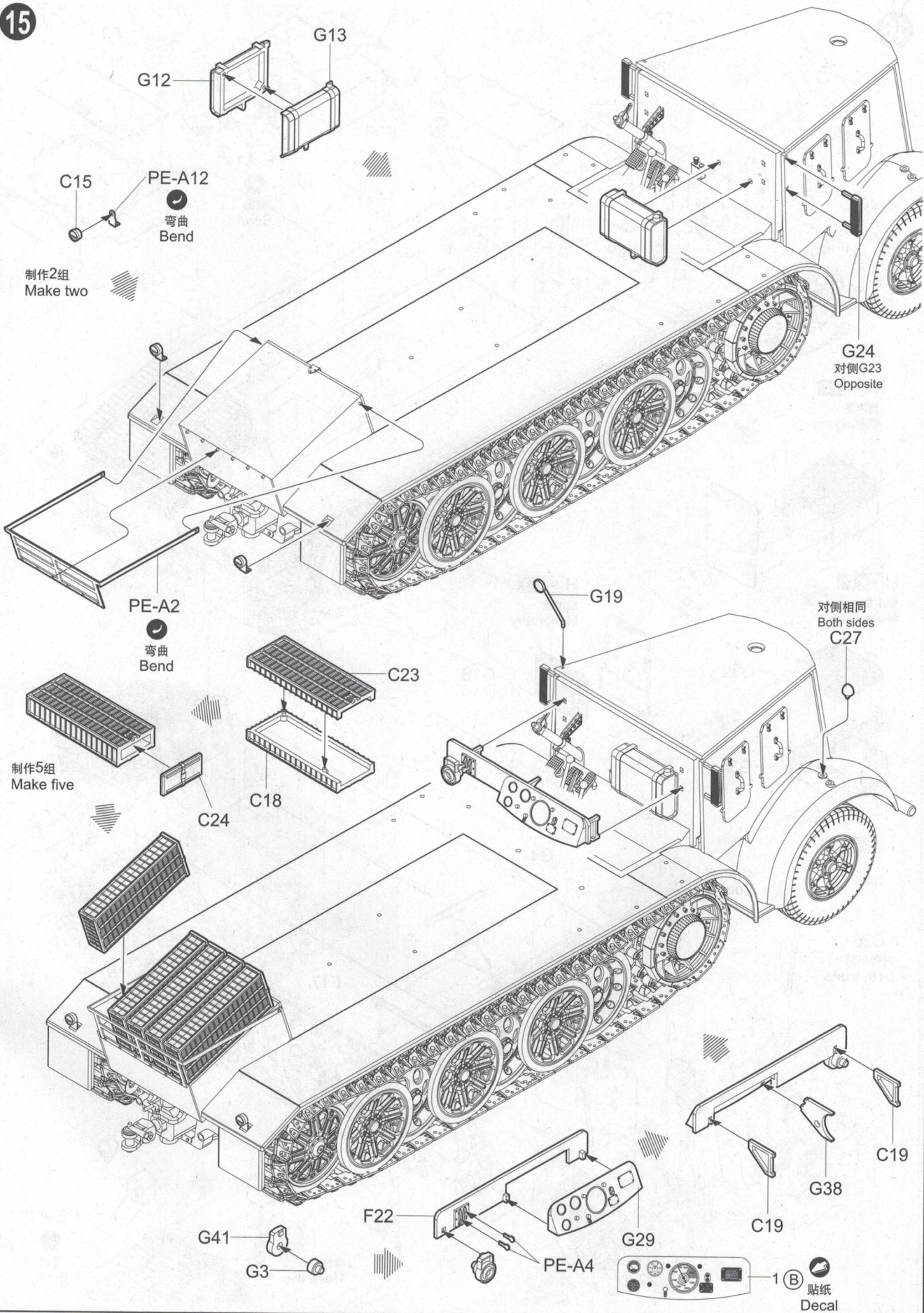


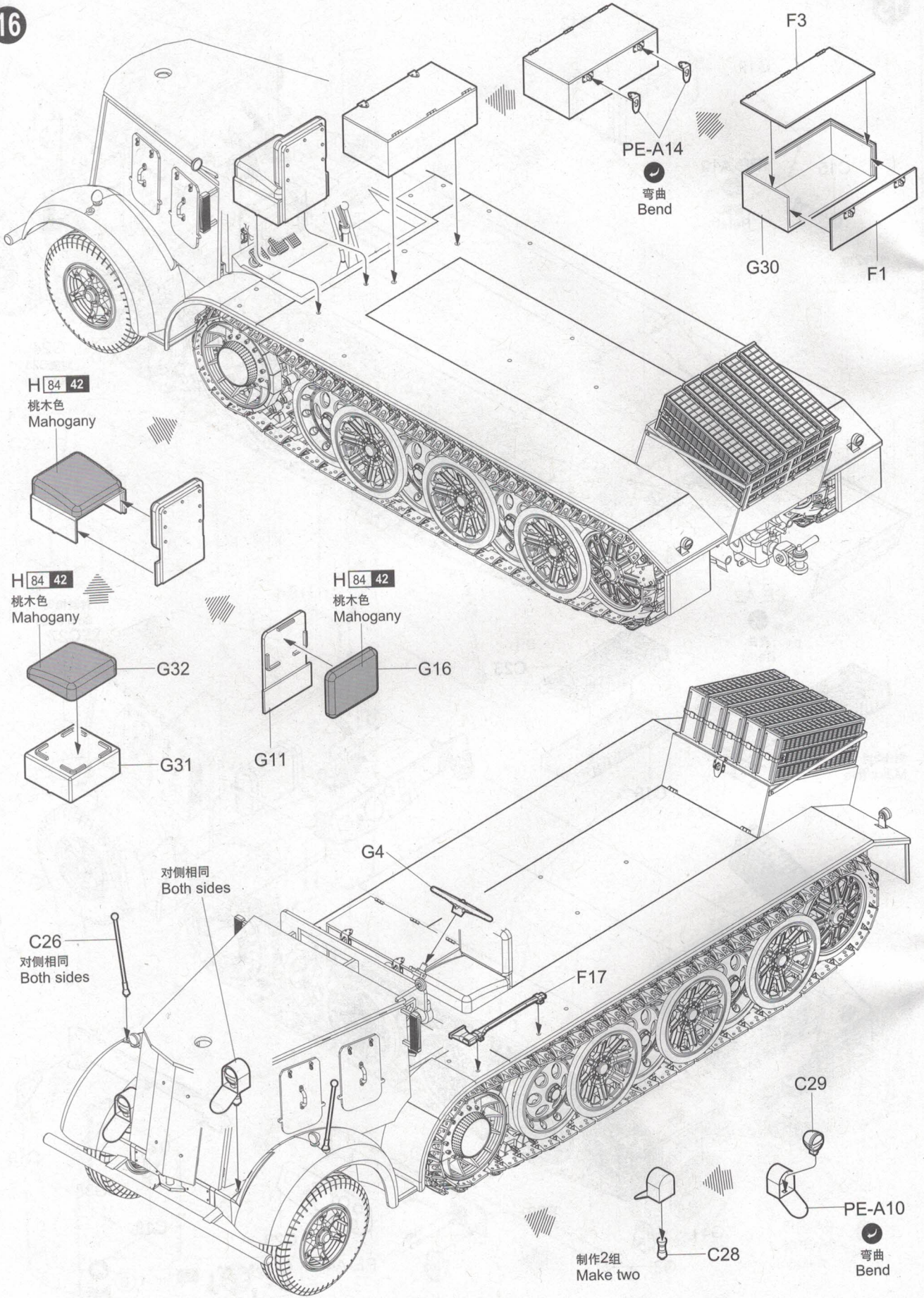
01585

12

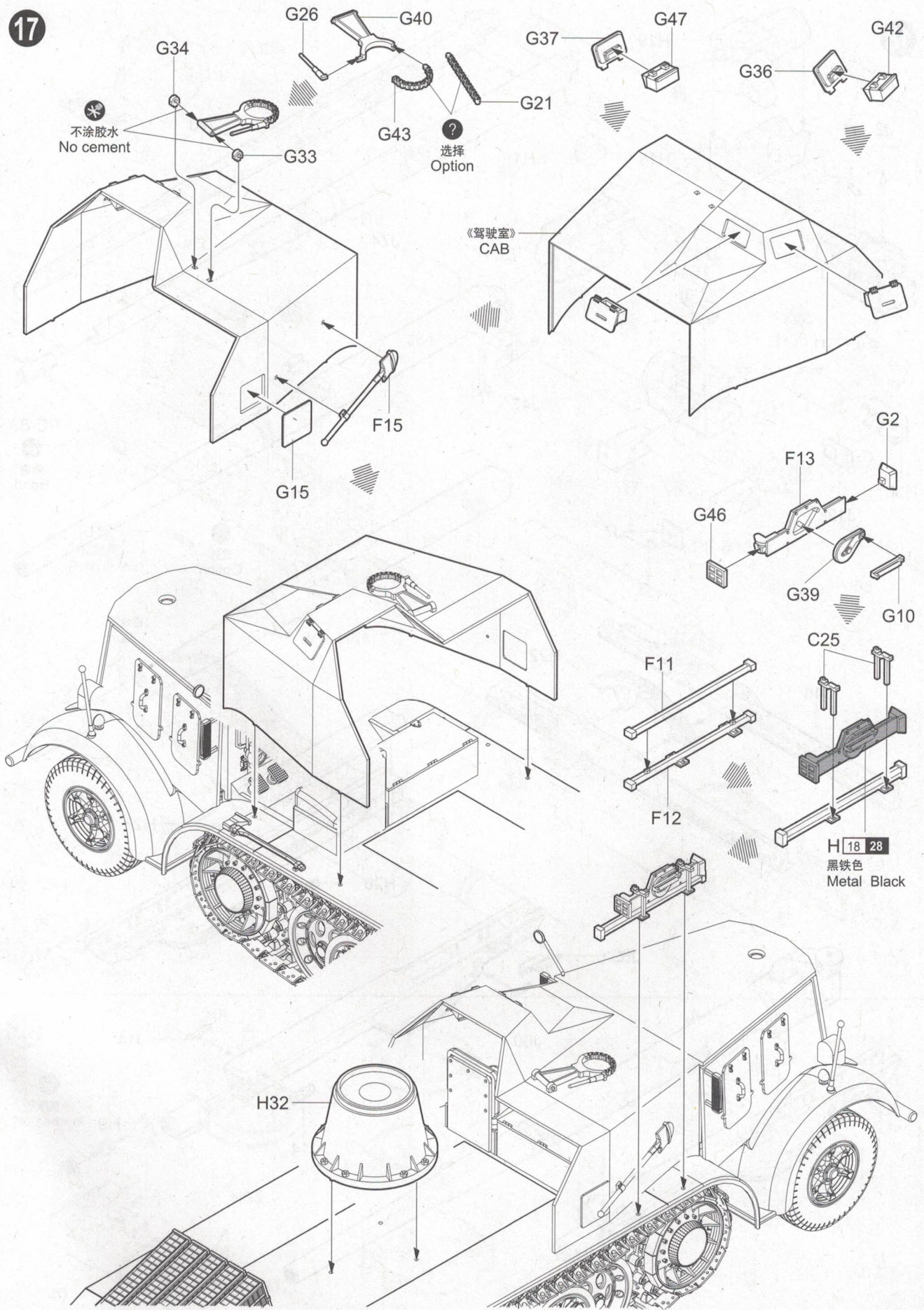
01585

15





17



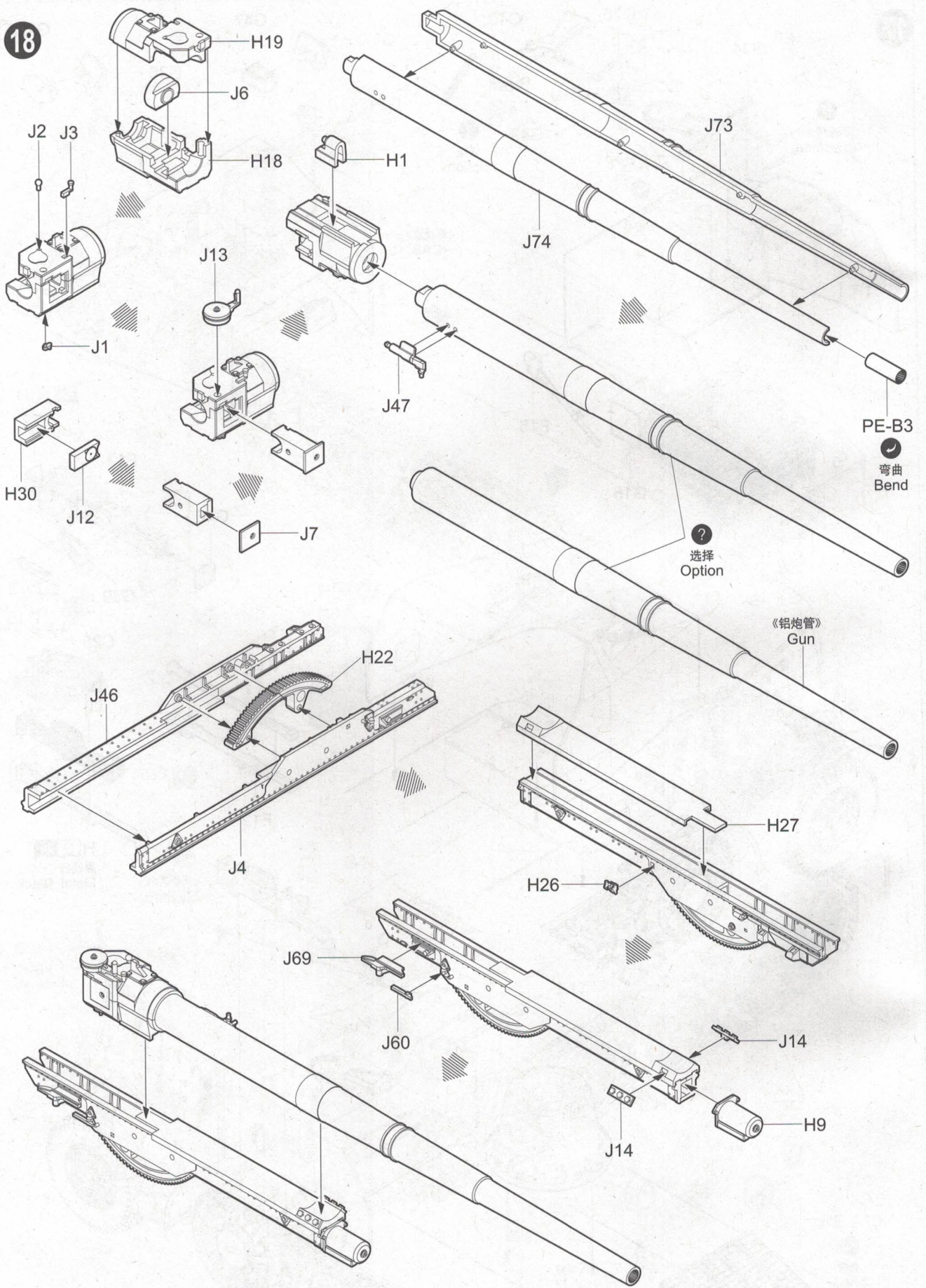
不涂胶水
No cement

选择
Option

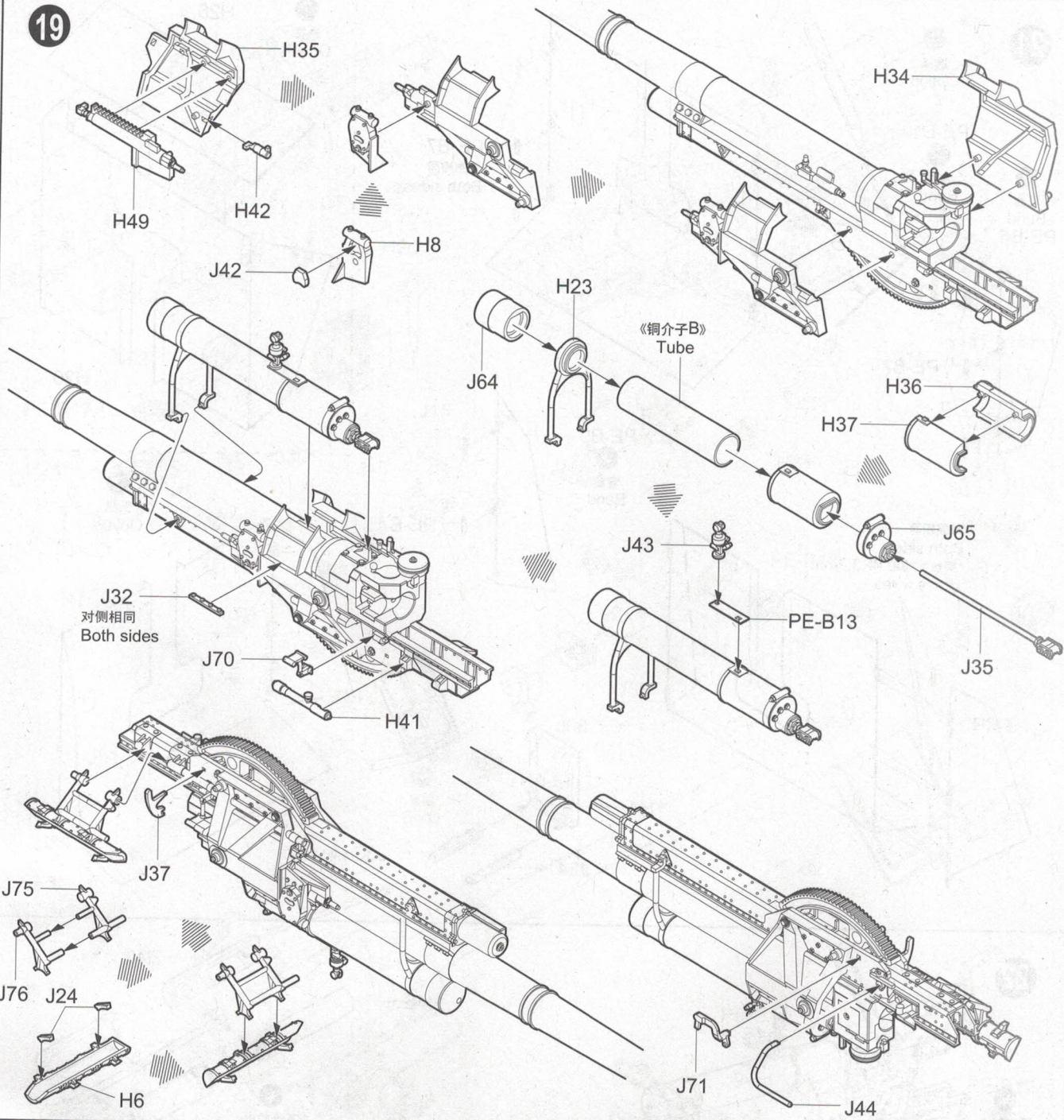
《驾驶室》
CAB

H 18 28
黑铁色
Metal Black

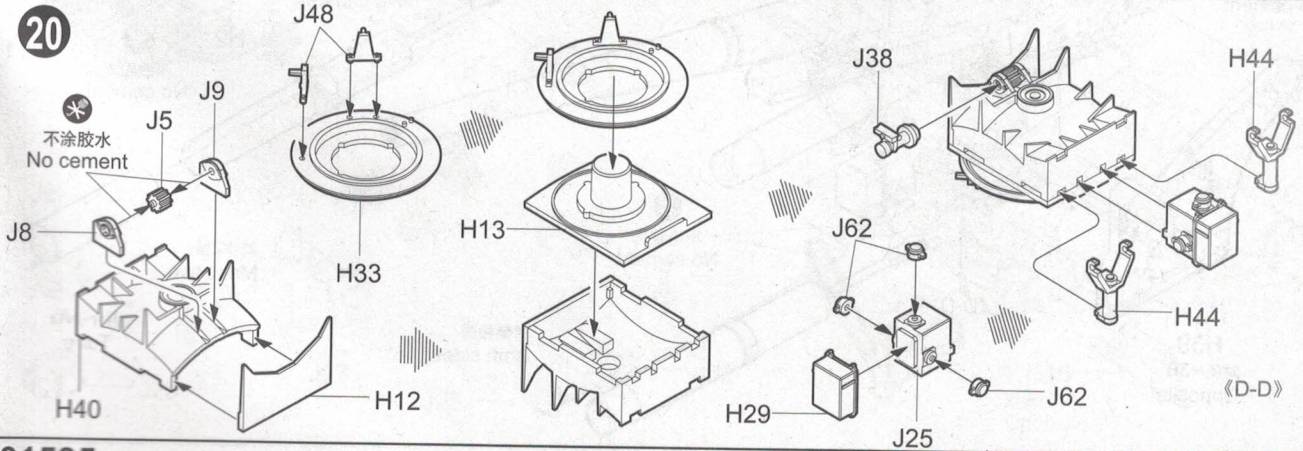
18



19

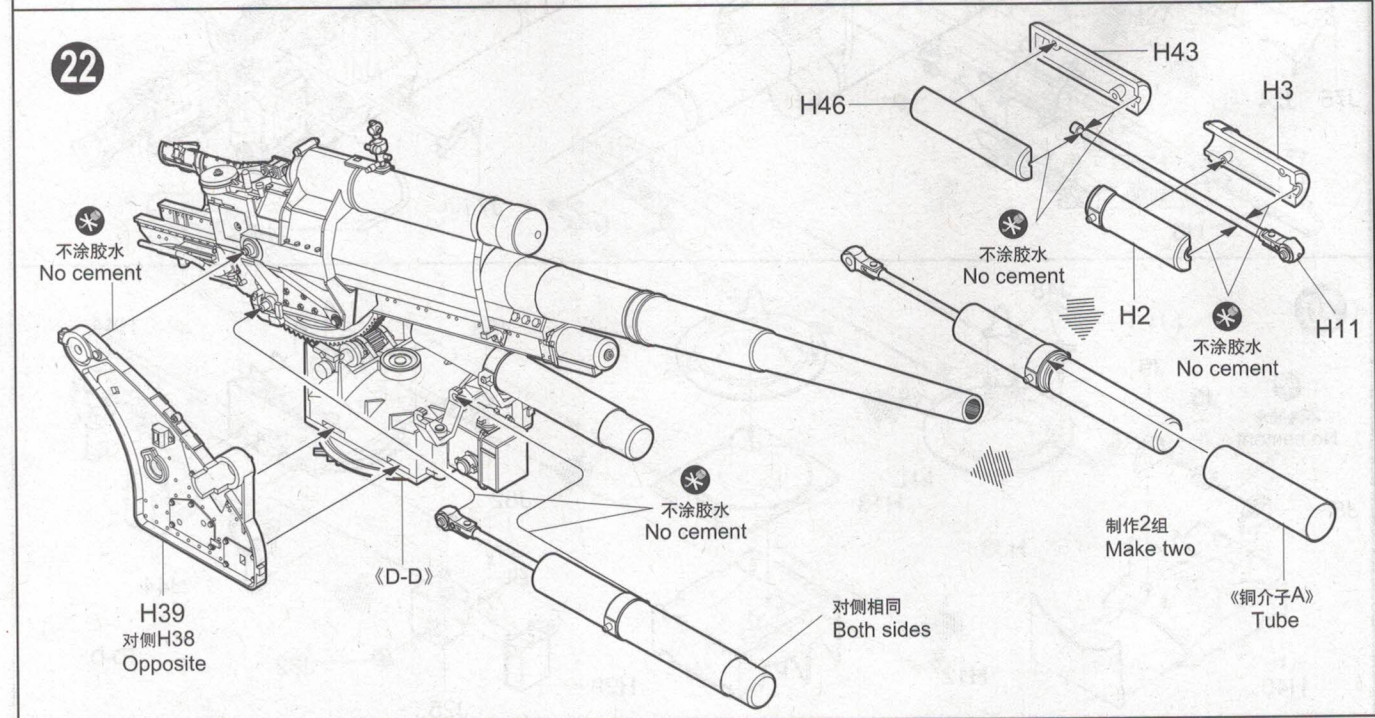
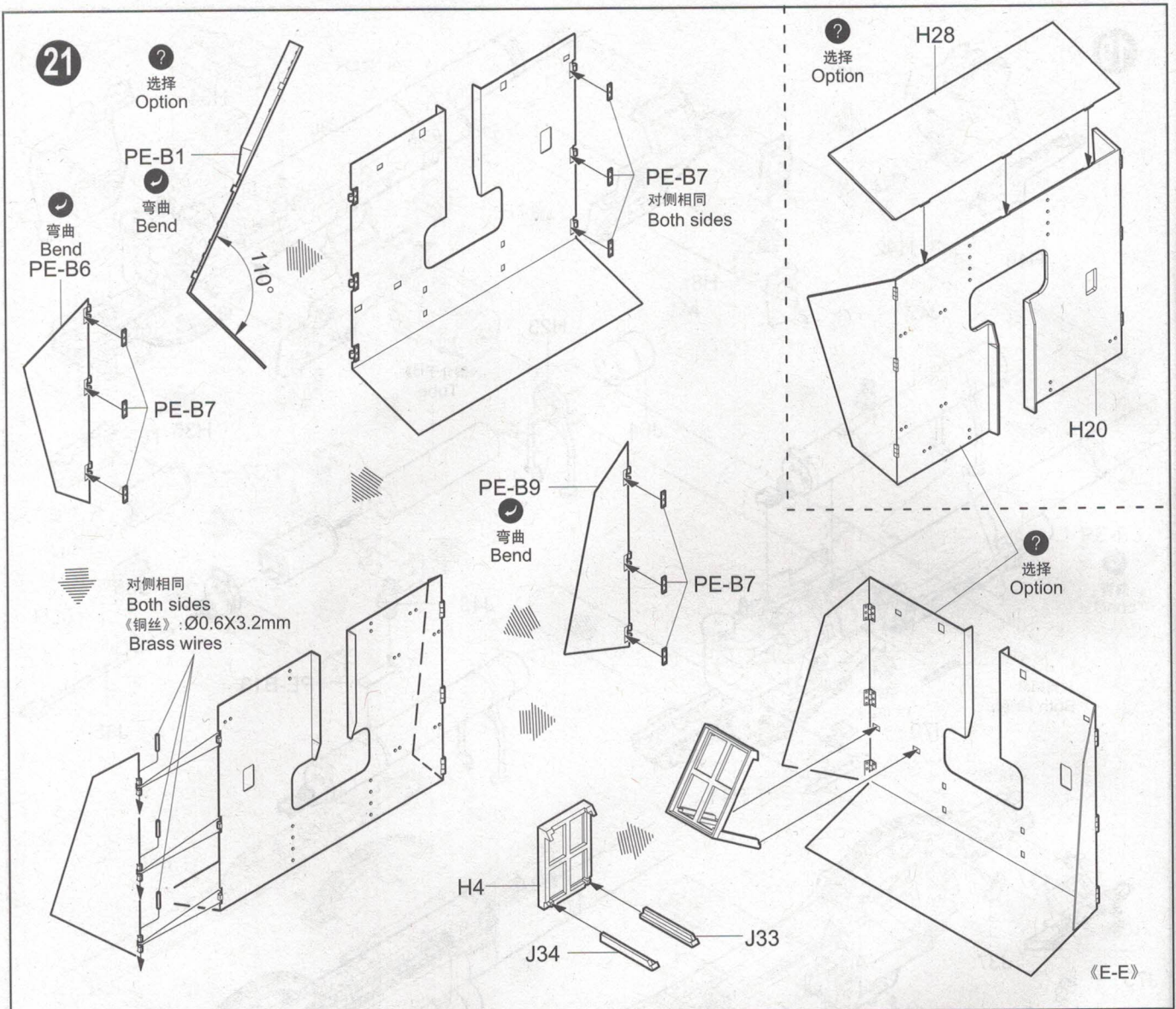


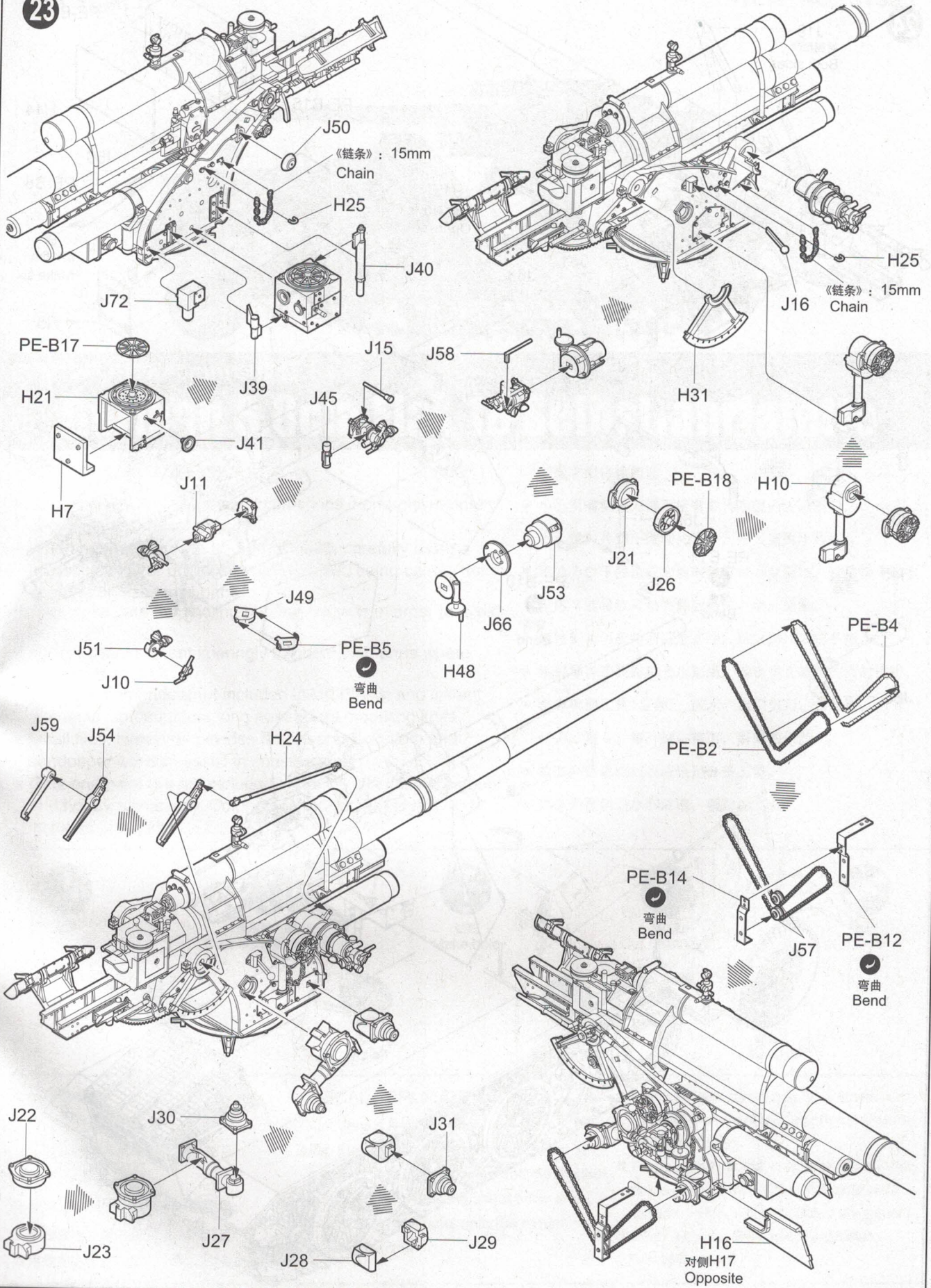
20



01585

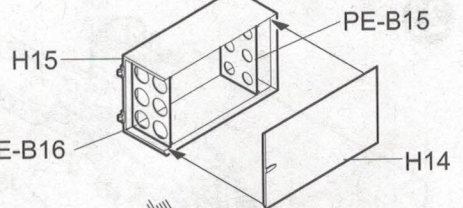
01585



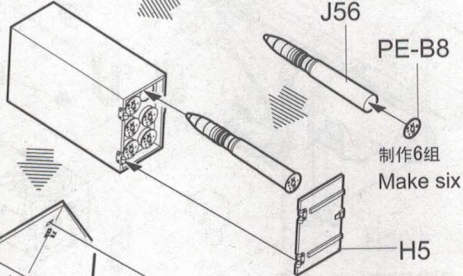


24

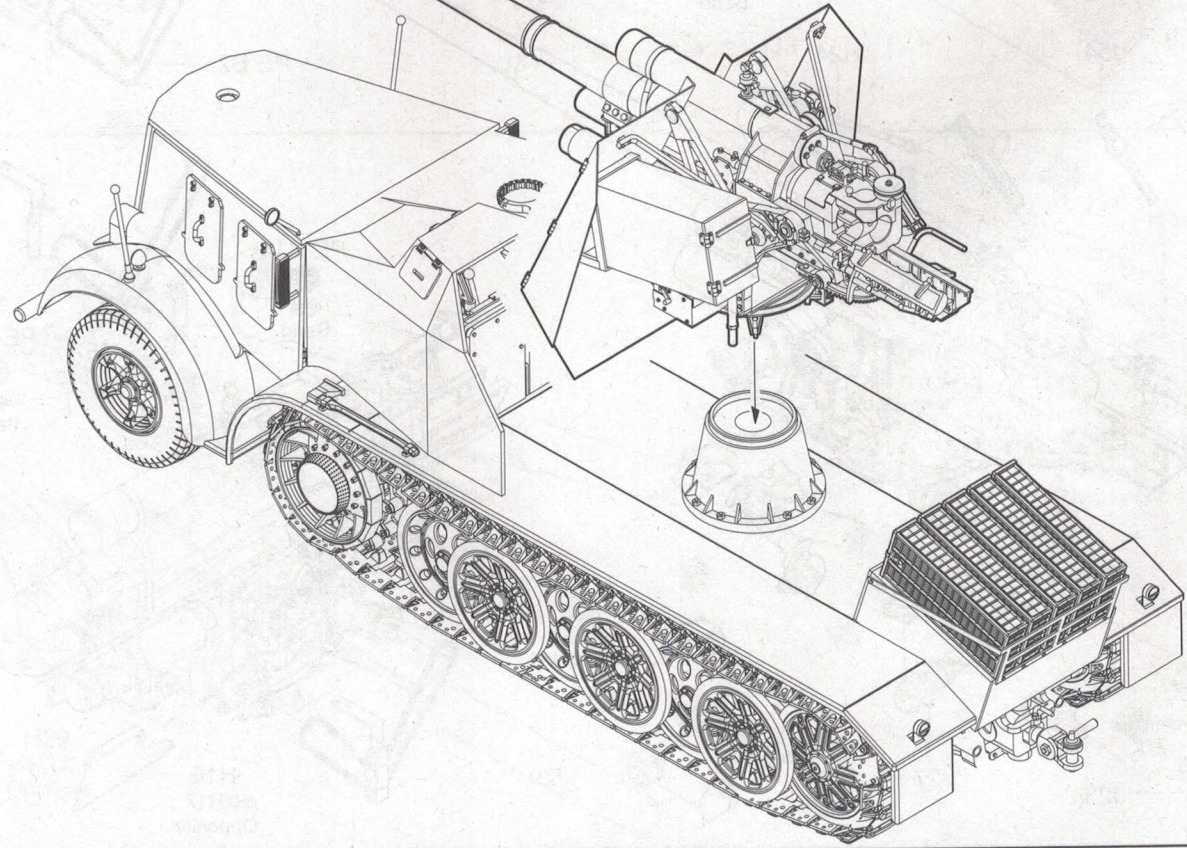
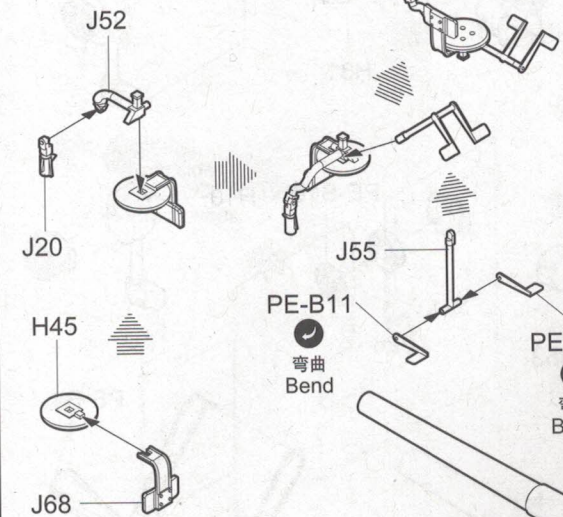
J19
对侧相同
Both sides



J17
对侧J18
Opposite



《E-E》

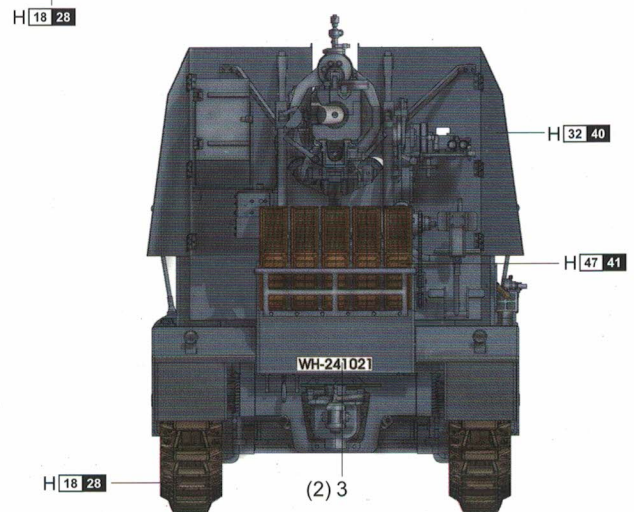
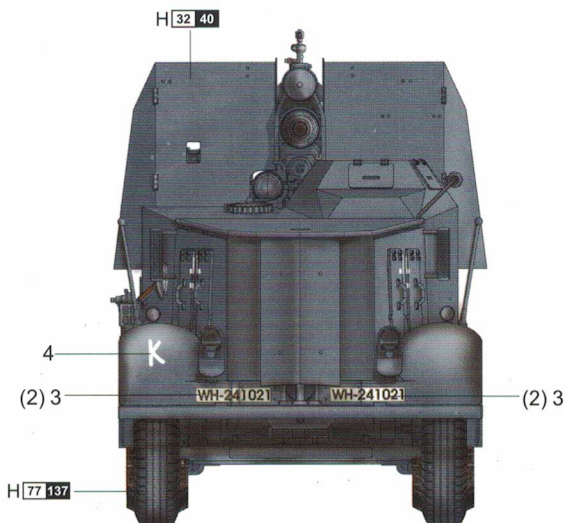
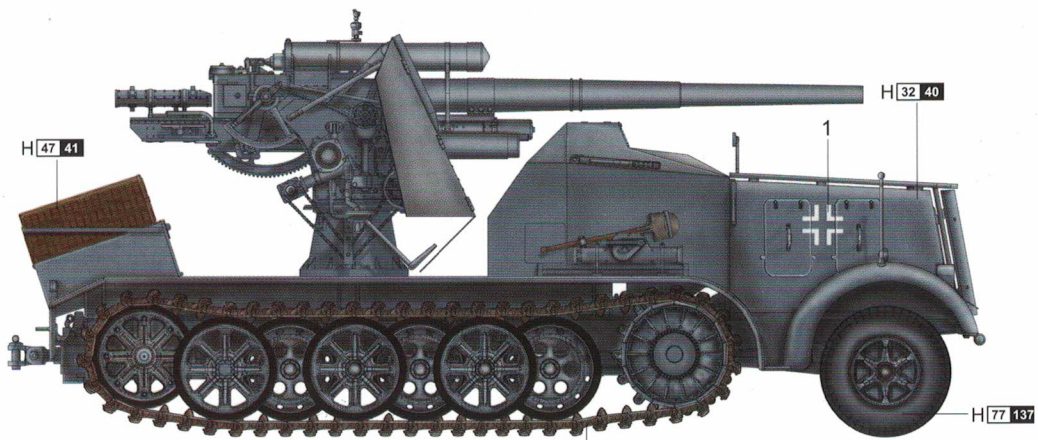
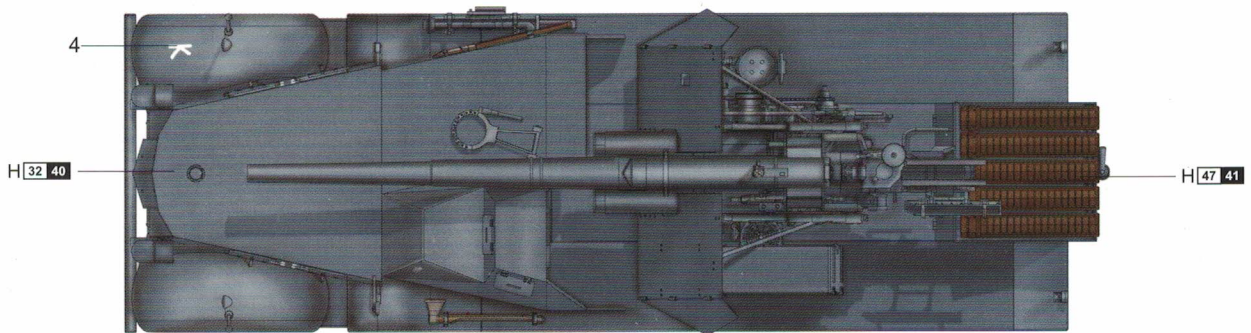
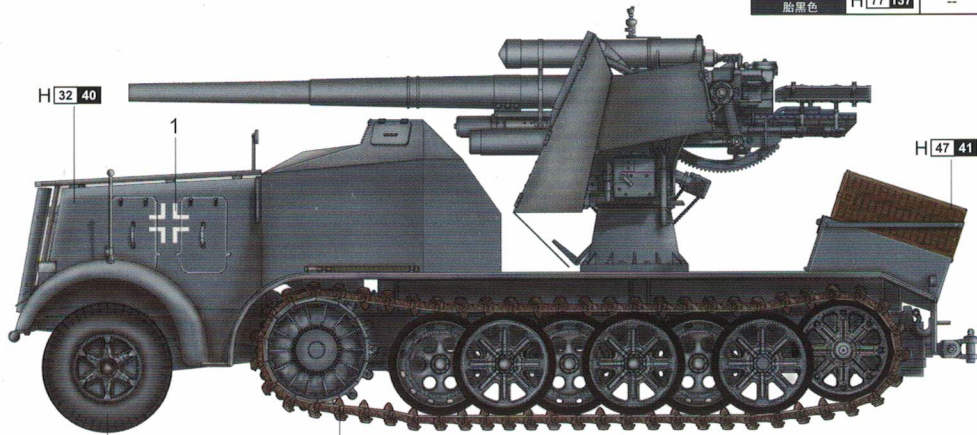


涂装同标贴指示

Painting & Marking guide

PAINT REFERENCE COLOUR

Color	Mr.Hobby	Vallejo	Model Master	Tamiya	Humbrol
Field Gray 原野灰	H 32 40	830	--	XF22	111
Steel 钢铁色	H 18 28	864	1402	--	--
Red Brown 红棕色	H 47 41	984	--	XF64	160
Tire Black 胎黑色	H 77 137	--	--	--	--



H ☒ AQUEOUS HOBBY COLOR ■ Mr. COLOR