

ACADEMY

HOBBY MODEL KITS



1/35TH SCALE

KIFV


(KOREAN INFANTRY FIGHTING VEHICLE)

Korean Infantry Fighting Vehicle was developed to meet the requirements of Republic of Korean Army by DAEWOO Heavy Industries. The KIFV is based on the US FMC Armored Infantry Fighting Vehicle with a number of improvements, although the FMC Corporation was not involved in the design of the KIFV in any way.


The KIFV has proven DAEWOO-MAN diesel engine and of welded aluminum armor with an additional layer of spaced laminate steel armor bolted it. This composite armor provides better protection for less weight gives increased buoyancy for fully amphibious operations, propelled in water by its tracks. Commander has pintle-mounted external 7.62mm M60 MG to rear of driver, and gunner's cupola is fitted with a 12.7mm M2 MG that has a shield.

The KIFV is also referred to as the K-200 and by early 1993 it was estimated that over 1,000 vehicles had been built. The KIFV is in service with ROK Army, and also used by Malaysian UN PKF in Bosnia conflict.


 Do not glue
 Coller
 Kleben
 Pagar
 incollare
 Collar
 Kleven


 DO NOT cement
 Ne pas coller
 Nicht kleben
 No pega
 Non incollare
 Não colar
 Niet kleven


 Cut away
 Couper
 schneiden
 Cortar
 Tagliare
 Cortar
 Snijden

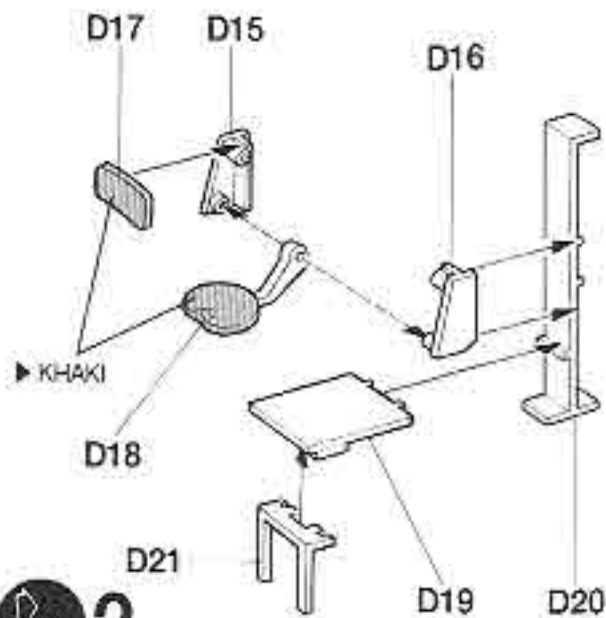

 Optional parts:
 Choix
 Auswahlmöglichkeit
 Elección
 Scelta
 Opções
 Keuze


3
 Repeat operation
 Répéter l'opération
 Vorgang wiederholen
 Repetir la operación
 Ripetere
 Repetir a operação
 Herhalen

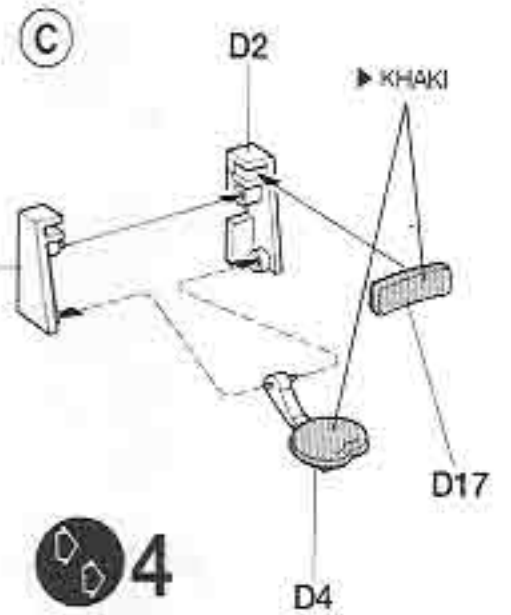
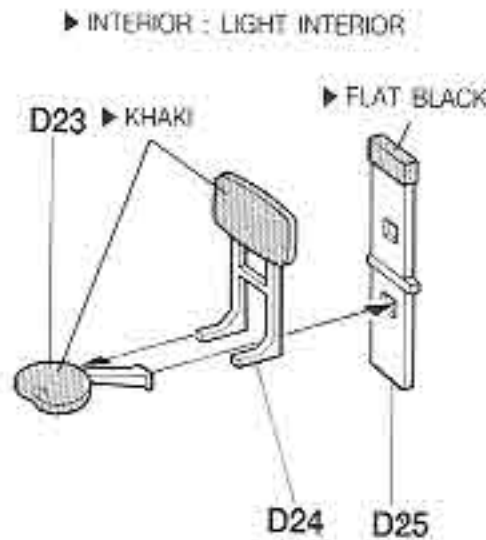
1 INTERIOR ASSEMBLY I

* LIGHT INTERIOR: FLAT GREEN 20% - FLAT WHITE 80%

a ■ COMMANDER & GUNNER'S SEATS

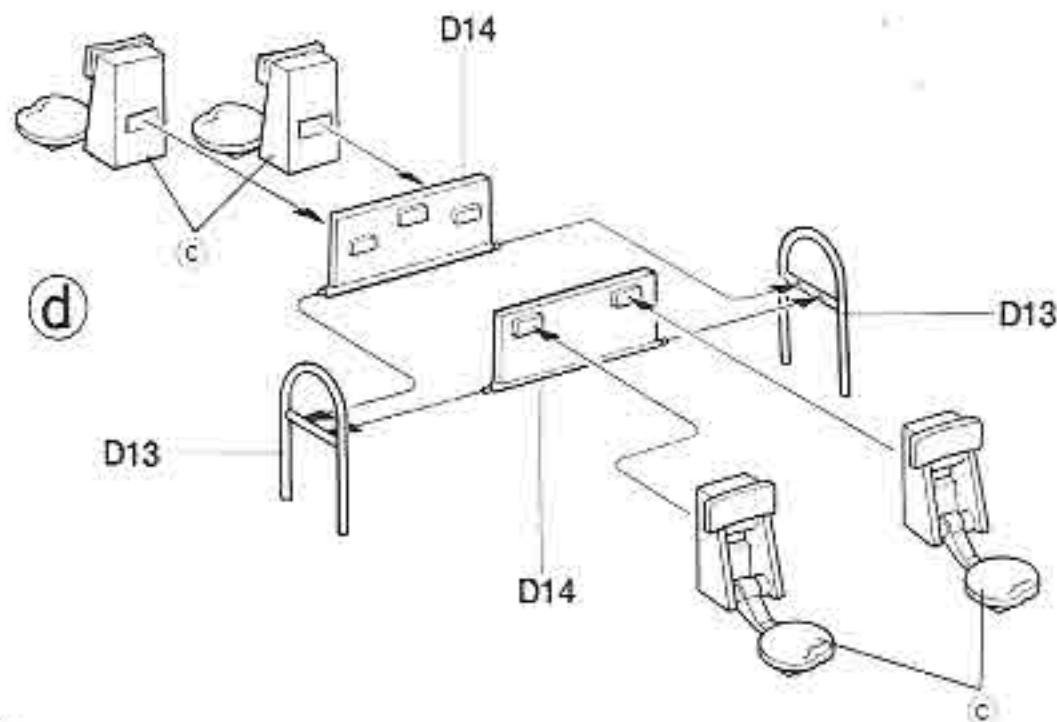


b ■ DRIVER'S SEATS

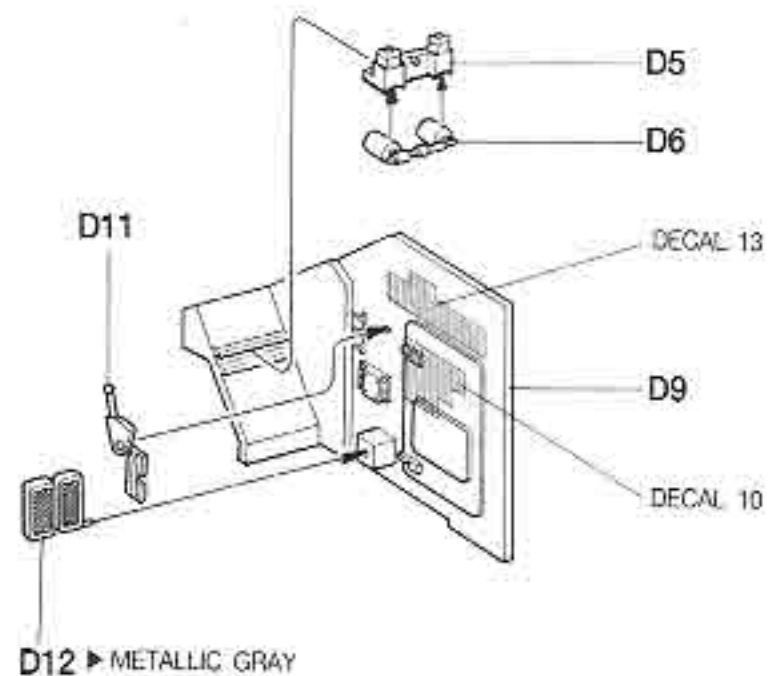


2

d ■ TROOP'S SEATS

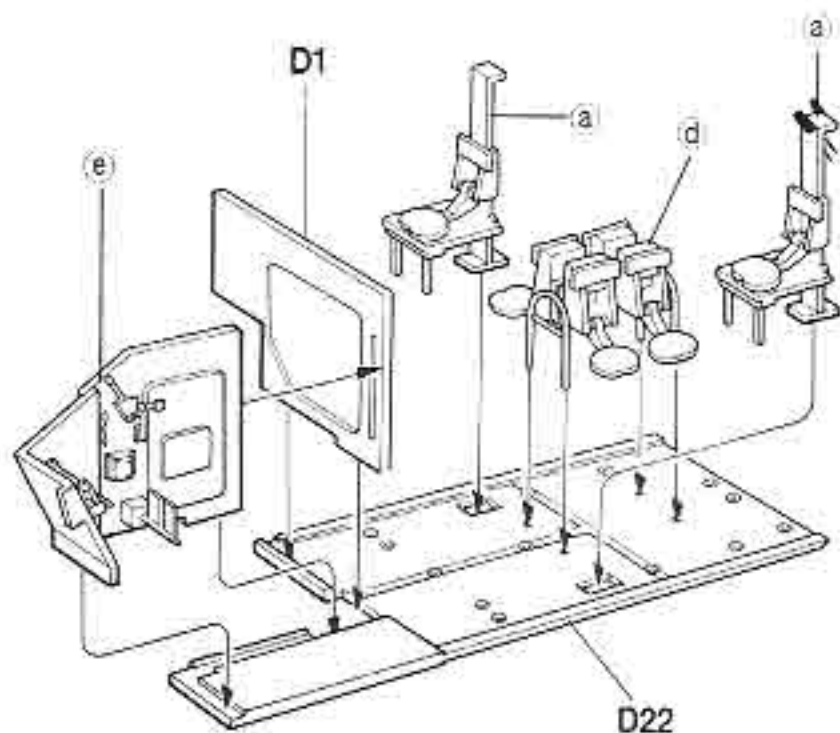


e ■ DRIVER COMPARTMENT

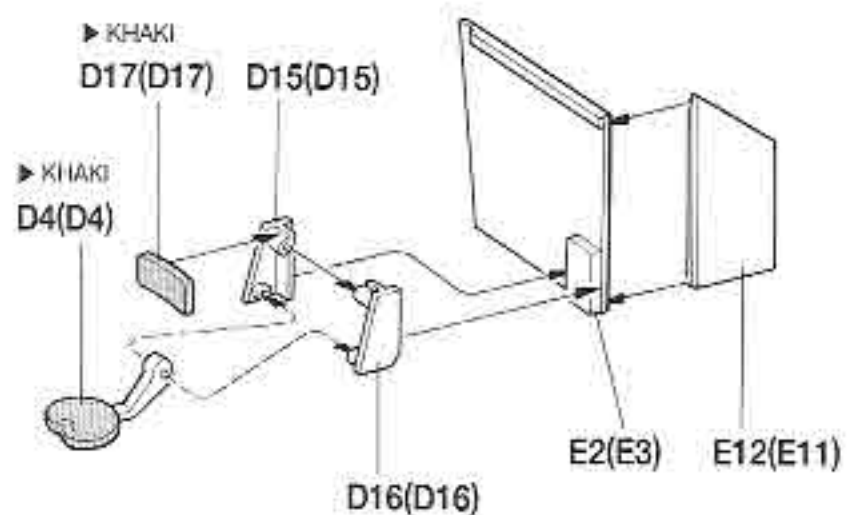


2 INTERIOR ASSEMBLY II

■ SEATS INSTALLATION



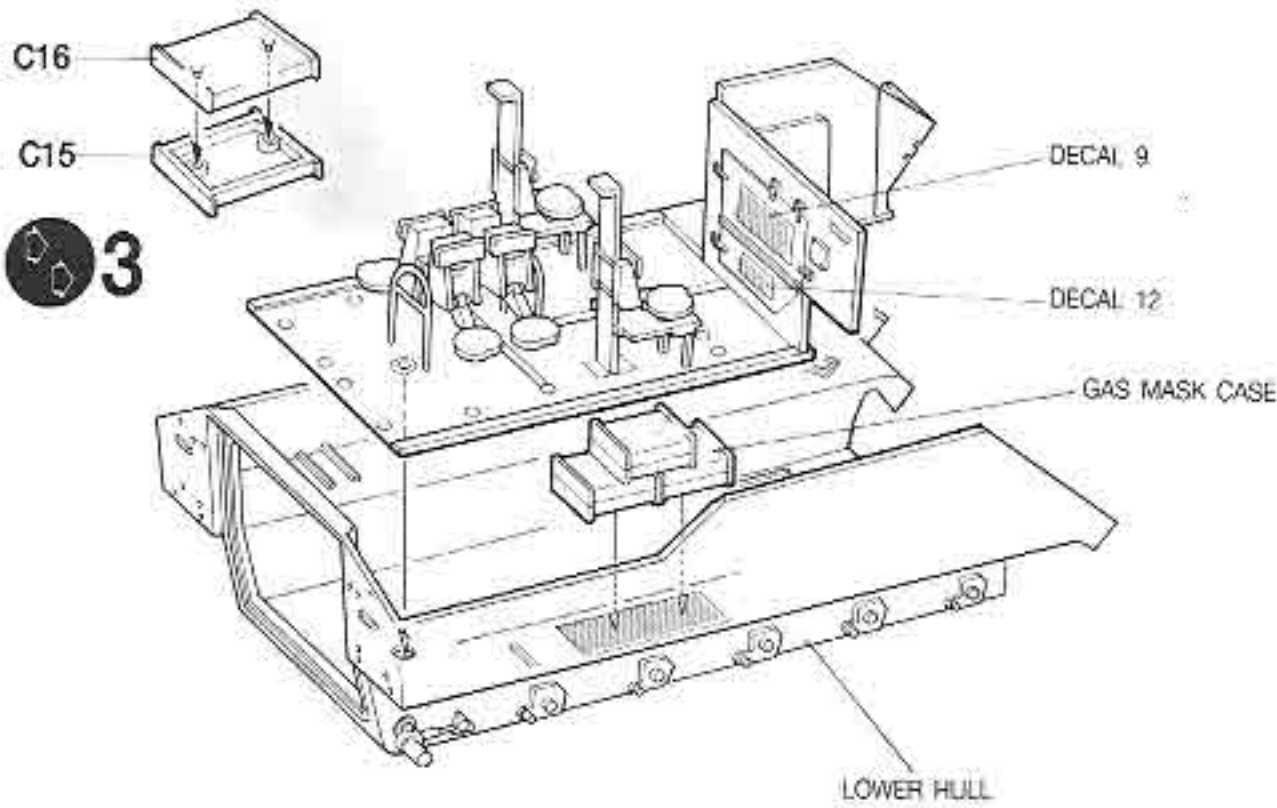
■ FUEL TANKS L(R) & SEATS



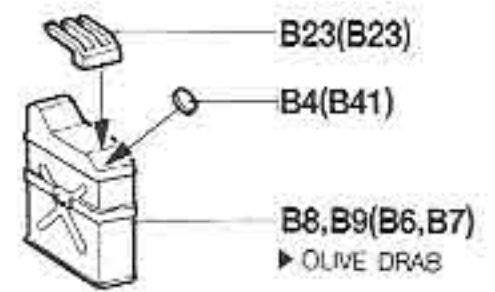
* () IS OPPOSITE NUMBER

③ INTERIOR EQUIPMENTS INSTALLATION I

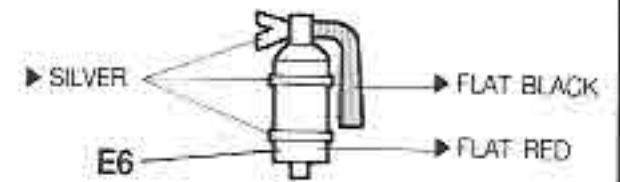
■ GAS MASK CASE



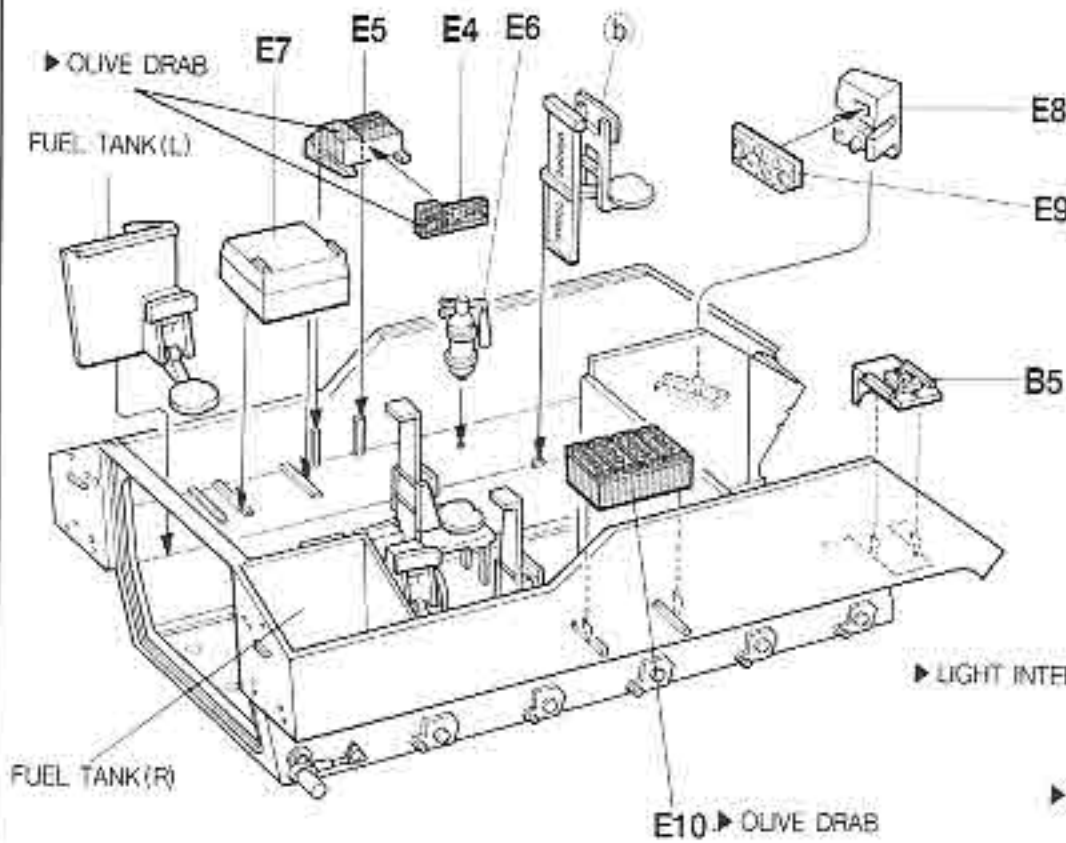
■ JERRY CAN LEFT (RIGHT)



■ FIRE EXTINGUISHER

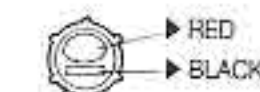


④ INTERIOR EQUIPMENTS INSTALLATION II



⑤ REAR PANEL ASSEMBLY

■ TAIL LIGHT



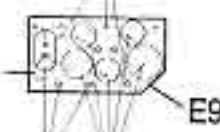
B29,B30

B27(B28)

B29(B30)

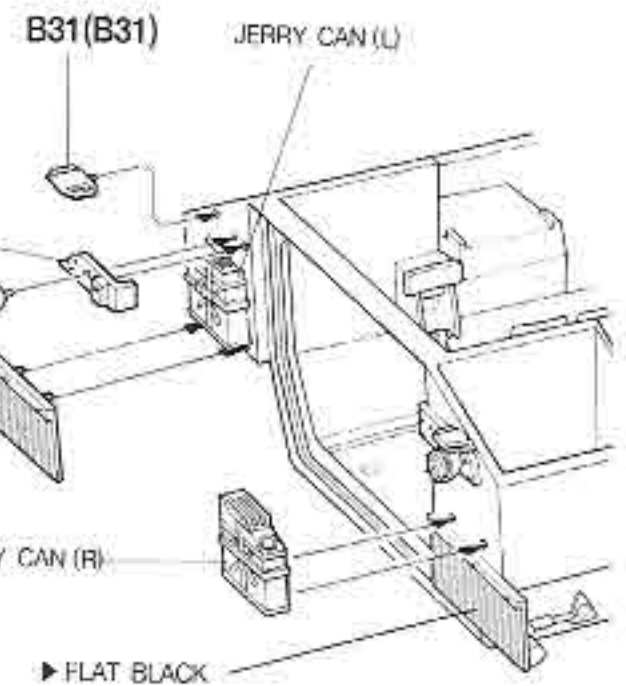
B3(B2)
▶ FLAT BLACK

▶ FLAT RED

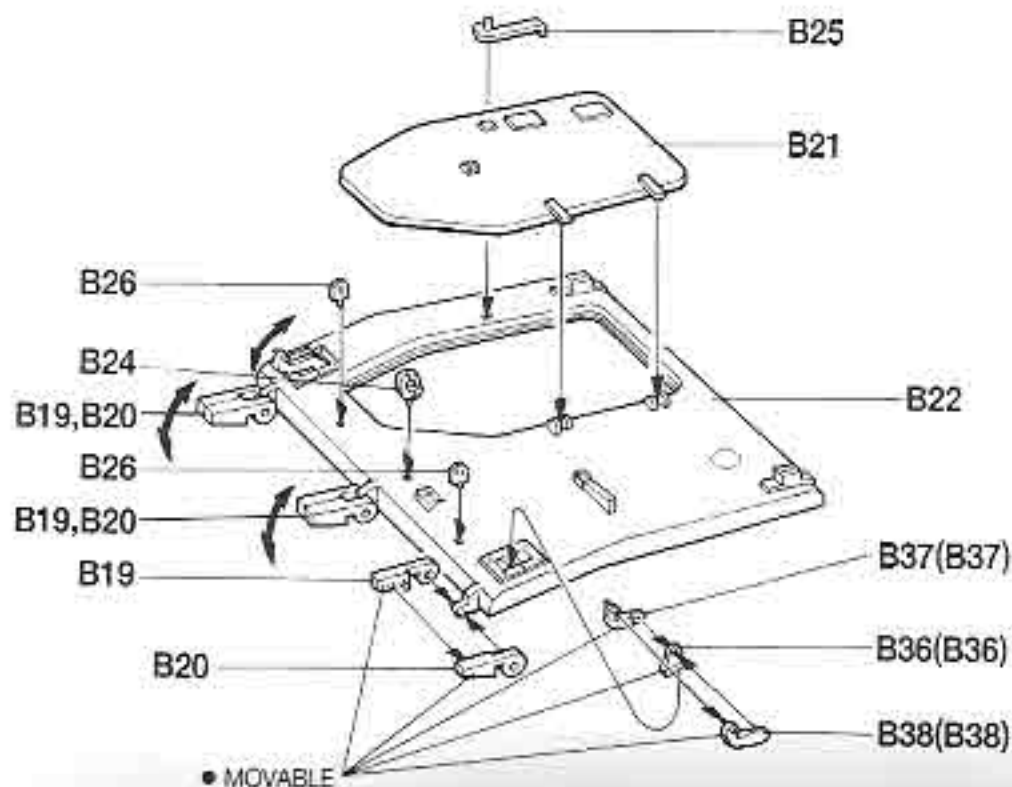


▶ LIGHT INTERIOR

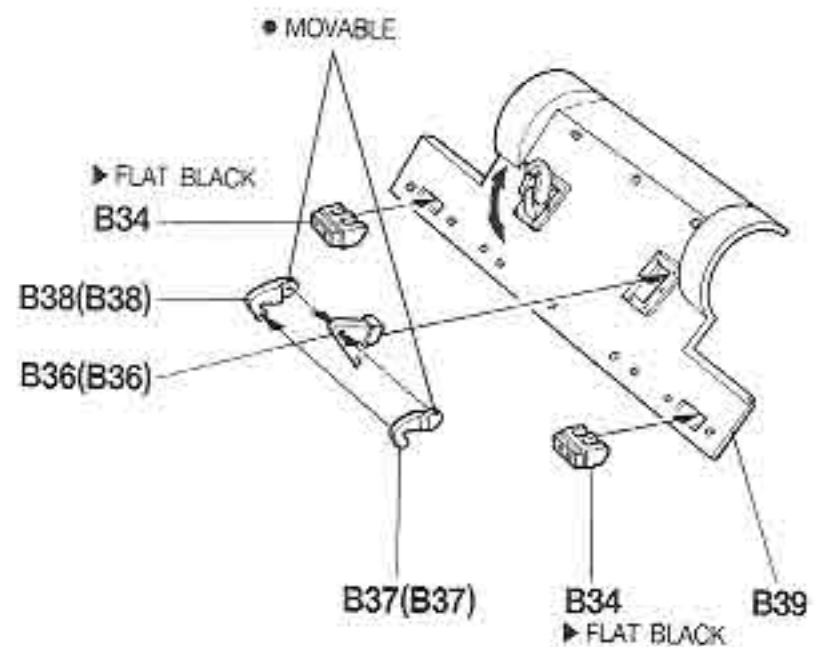
▶ BLACK with WHITE details.



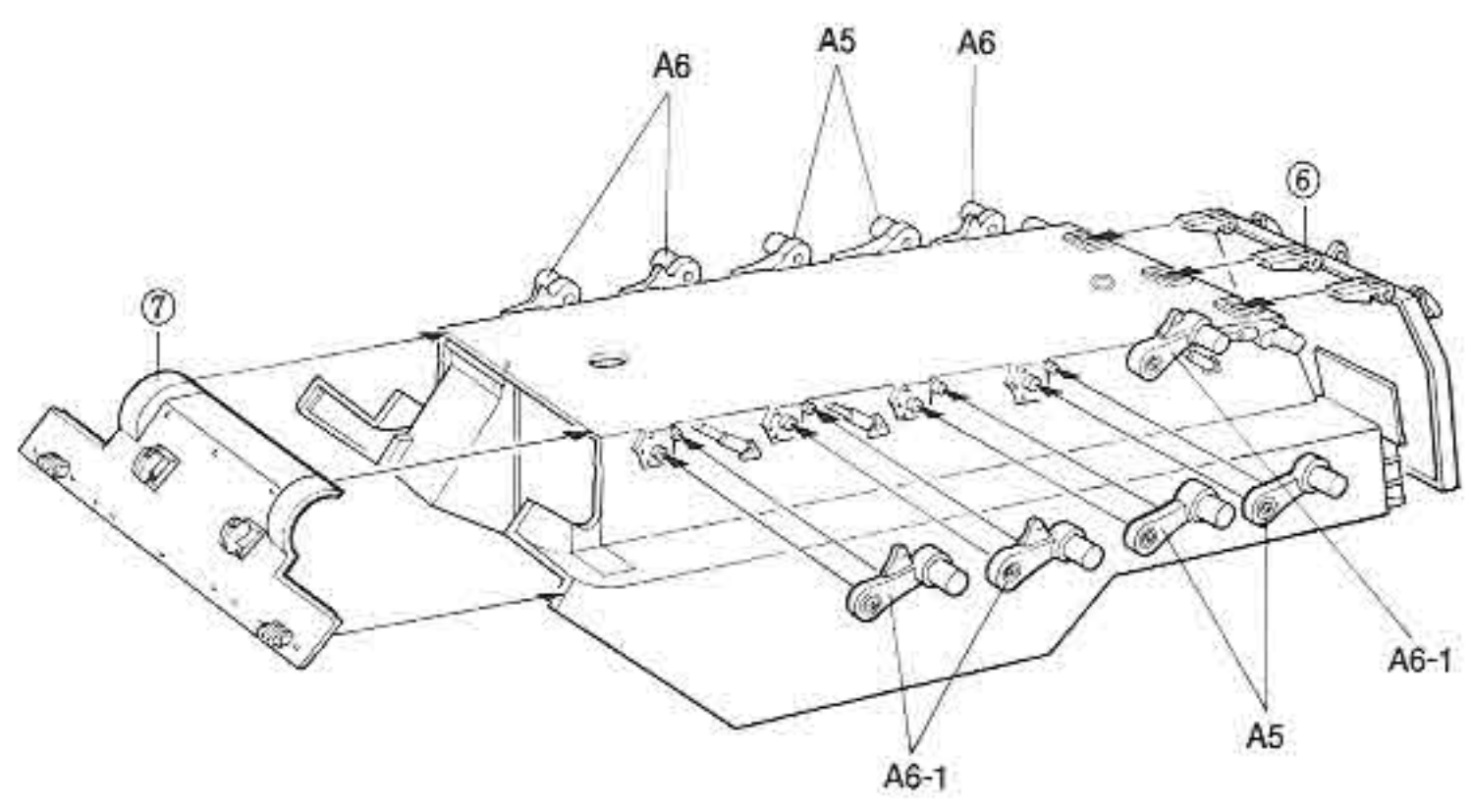
⑥ REAR DOOR ASSEMBLY



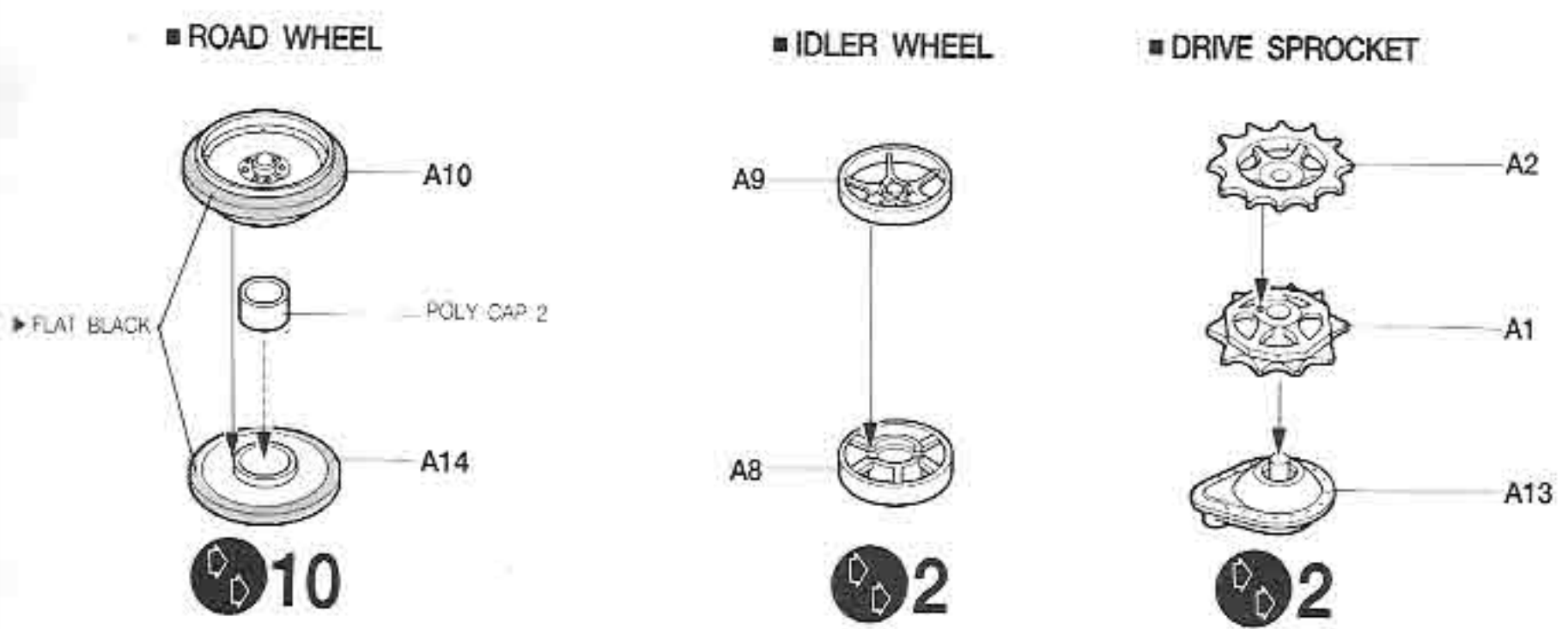
⑦ FRONT ARMOR ASSEMBLY



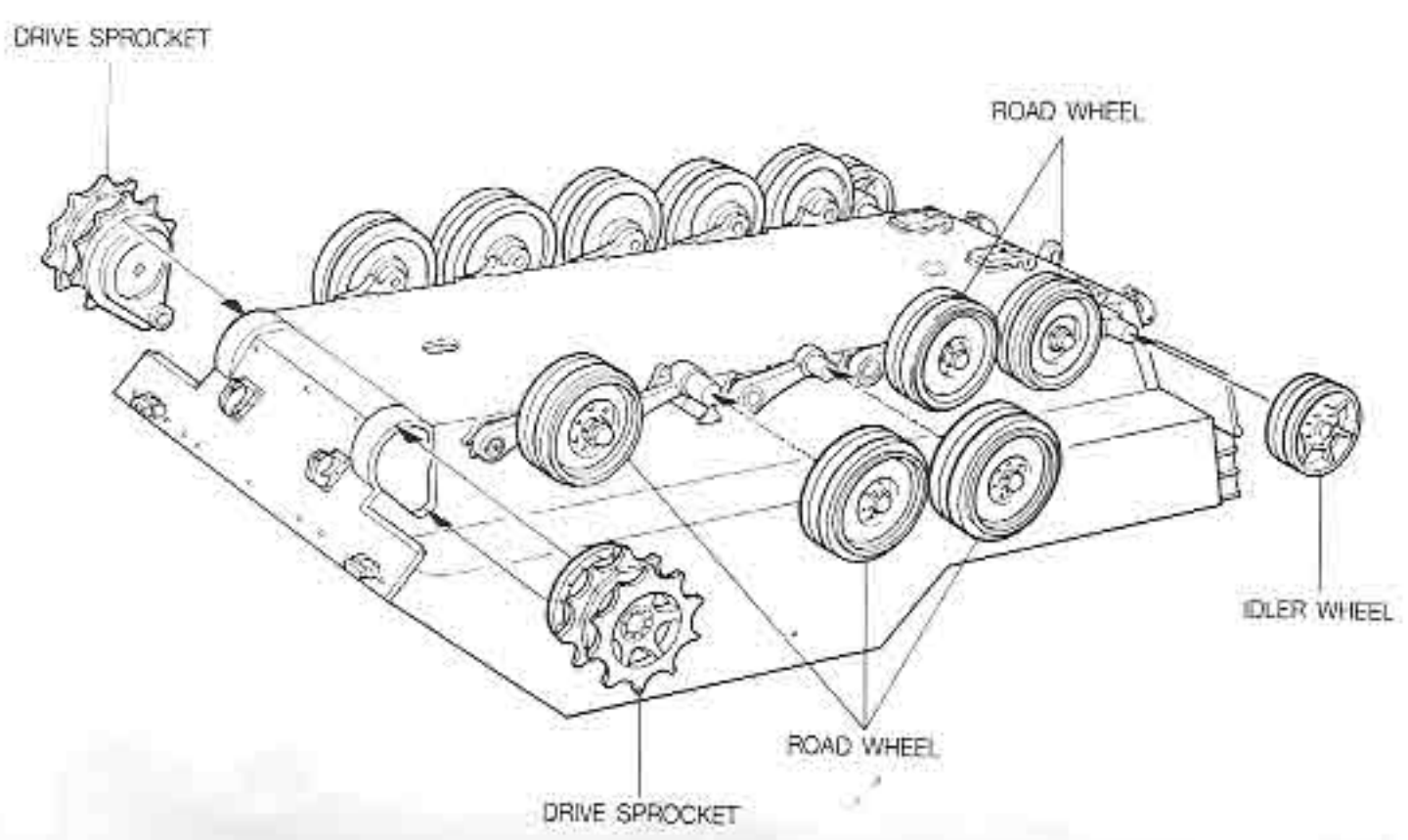
8 LOWER HULL ASSEMBLY



9 WHEEL ASSEMBLY

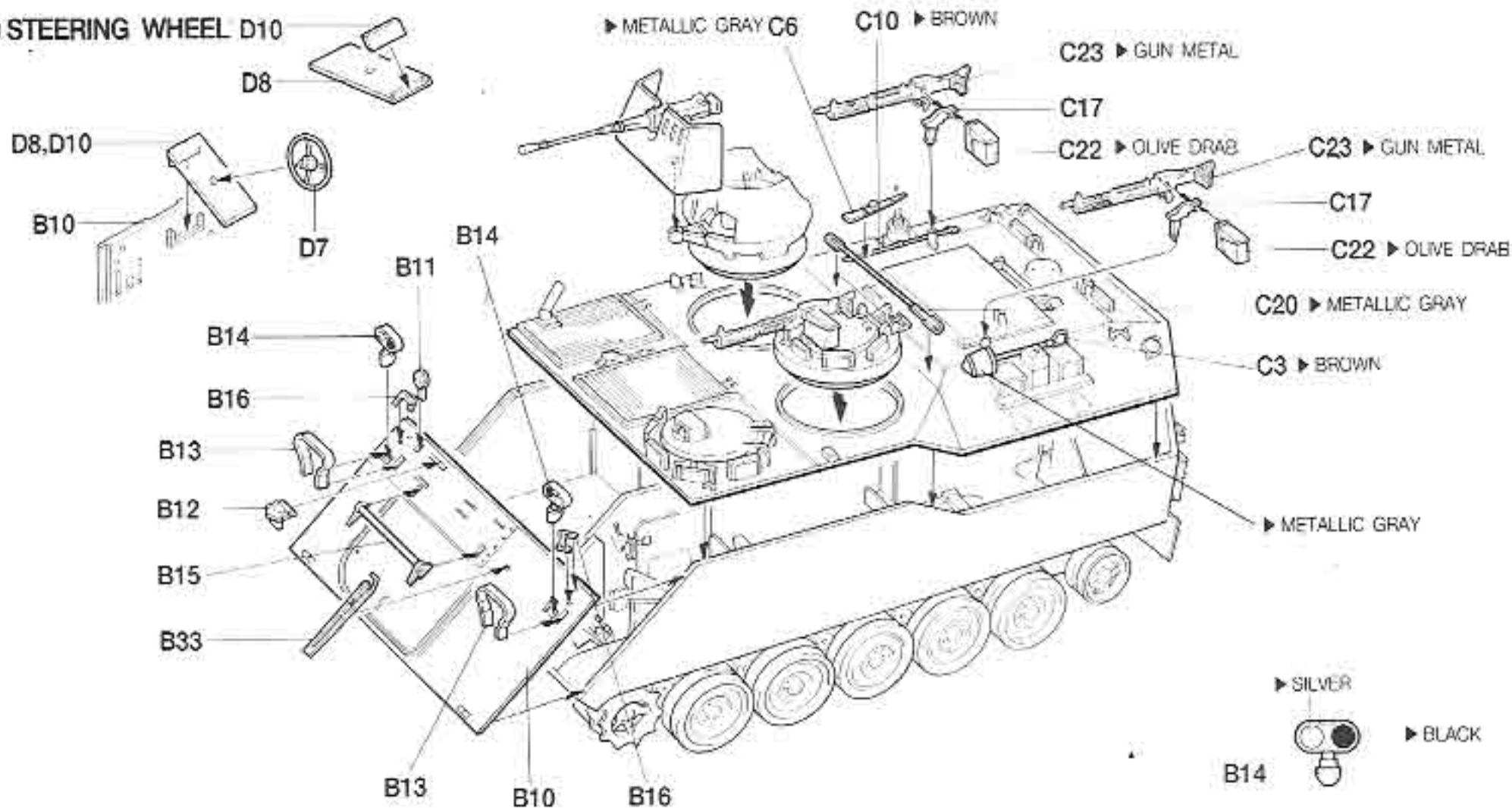


10 WHEEL INSTALLATION

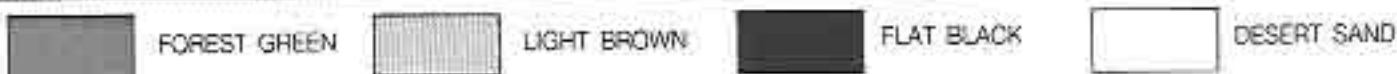


13 FRONT & UPPER HULL INSTALLATION

■ STEERING WHEEL D10



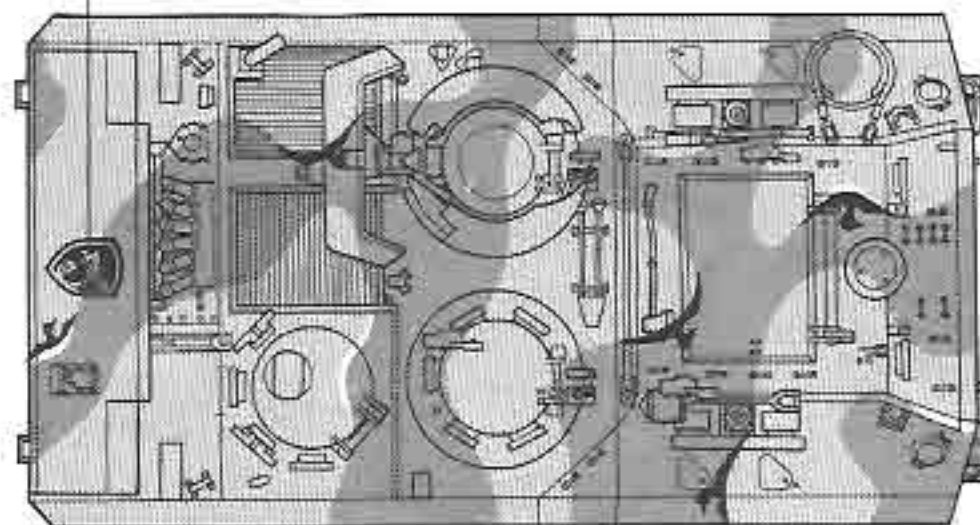
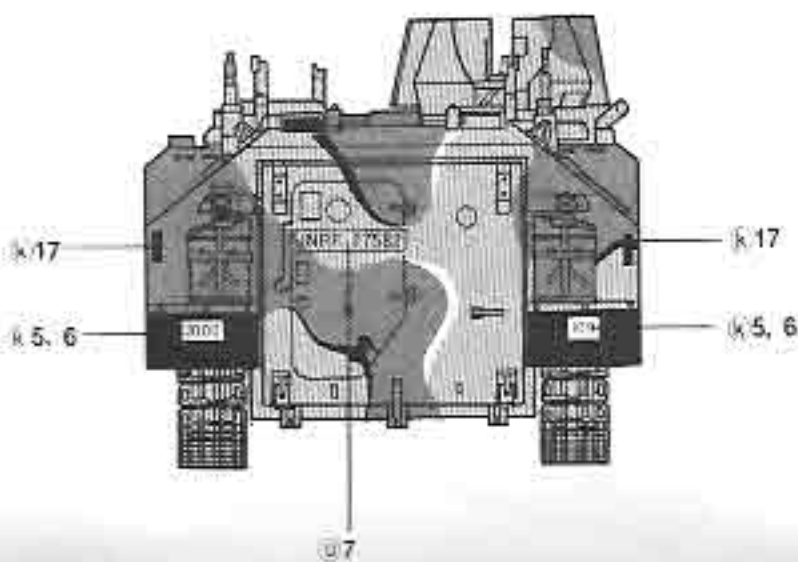
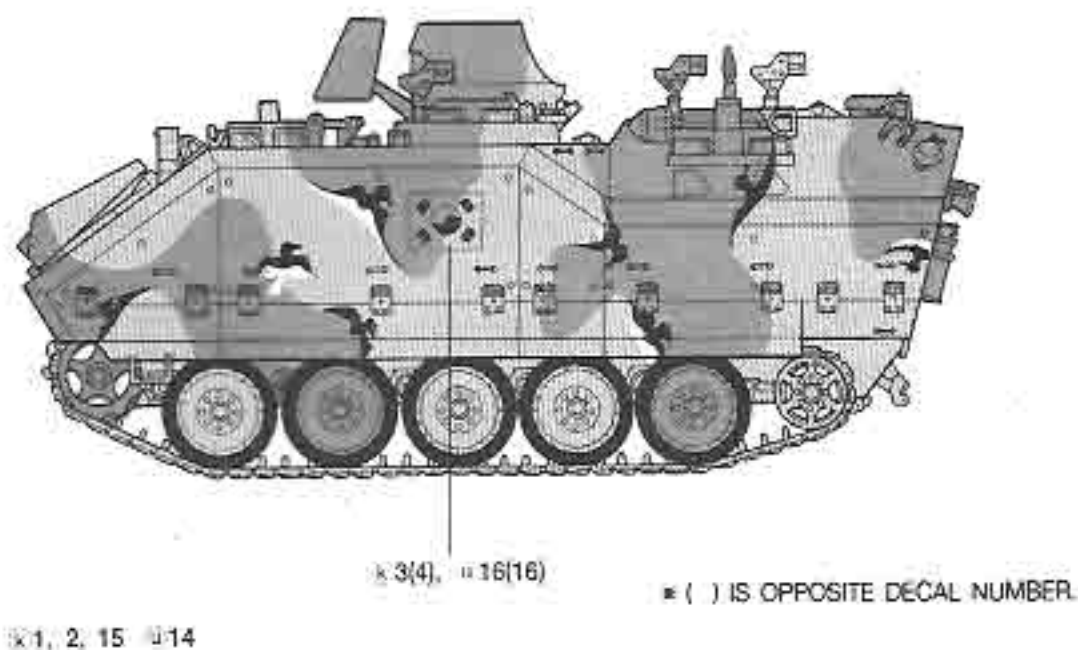
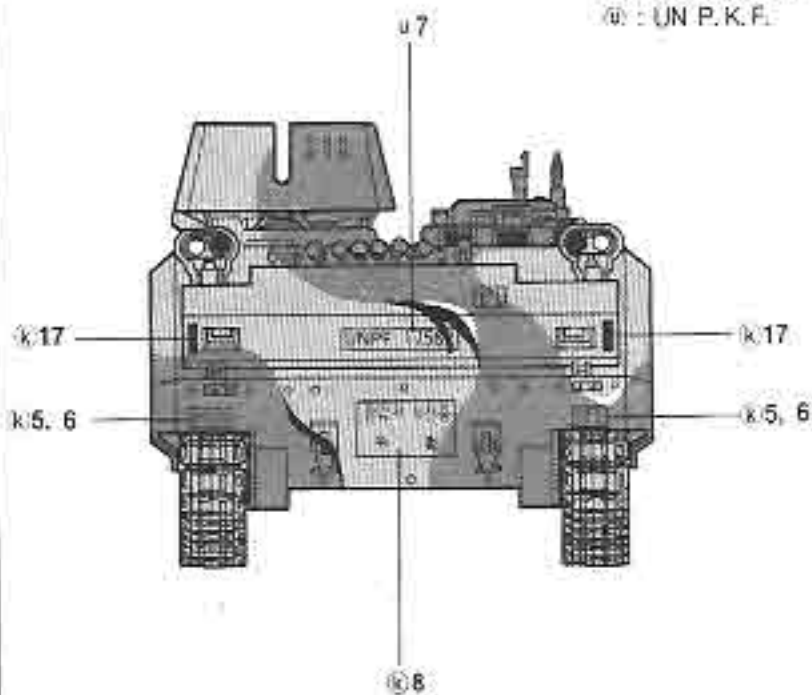
PAINTING & DECAL PLACEMENT



● Choose Between R.O.K. Army & Malaysian UN P.K.F. type.

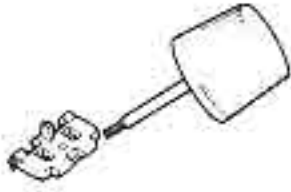
Ⓢ : R.O.K. Army
 Ⓢ : UN P.K.F.

● UN P.K.F. : Overall Flat White
 ● R.O.K. Army : Camouflage of 4 colors

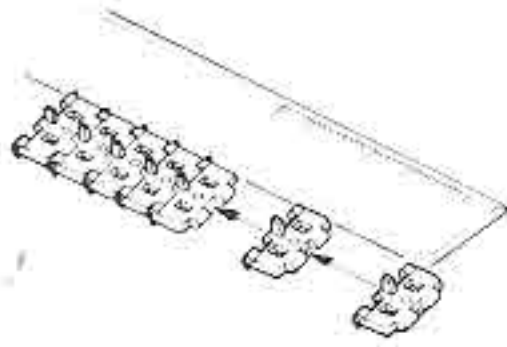


* REFER TO PHOTOGRAPH OF BOX FOR UN P.K.F.'S DECAL PLACEMENT.

14 INDIVIDUAL TRACKS ASSEMBLY

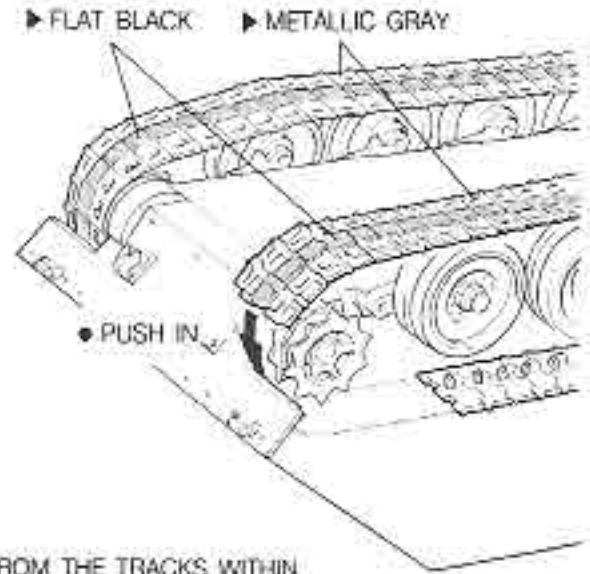


① ASSEMBLE THE 60 PCS TREAD BLOCKS EACH. USE CEMENT SPARINGLY.



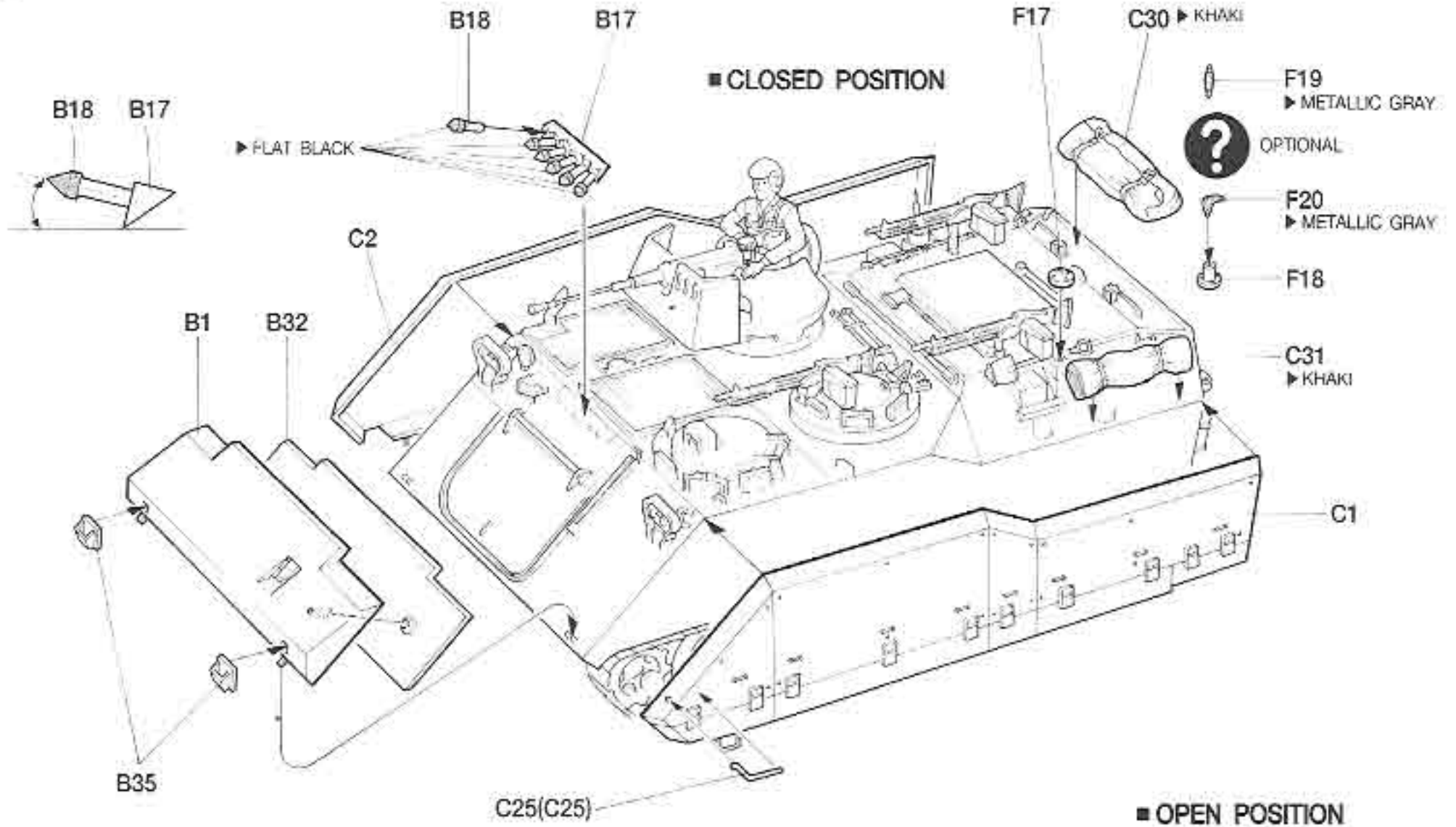
② ASSEMBLE THE TREADS AGAINST A STRAIGHT EDGE AS SHOWN.

* X1: SPARE TRACK.

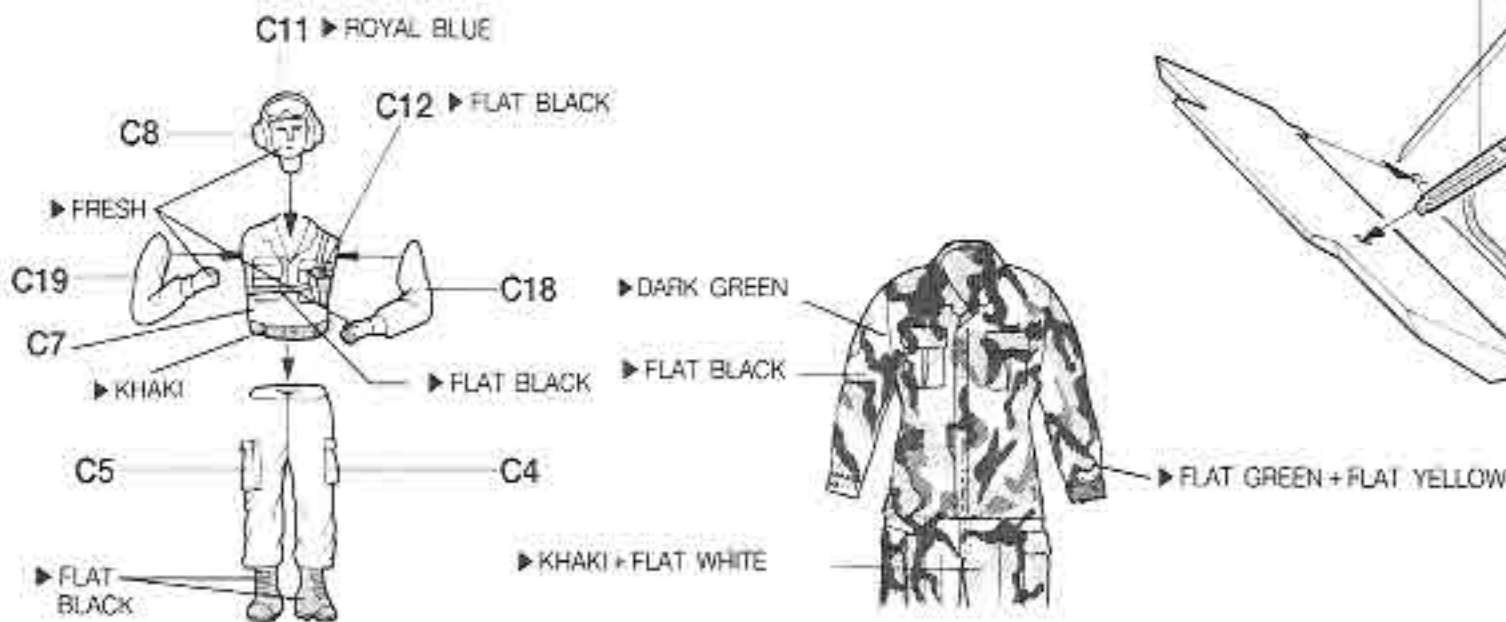


③ FROM THE TRACKS WITHIN 30-60 MINUTES OF APPLYING CEMENT.

15 COMPLETE

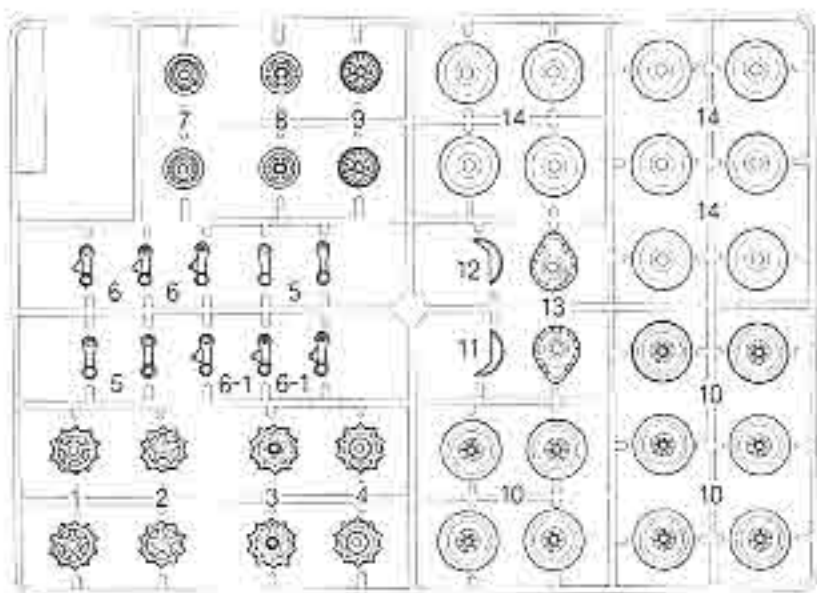


■ FIGURE ASSEMBLY

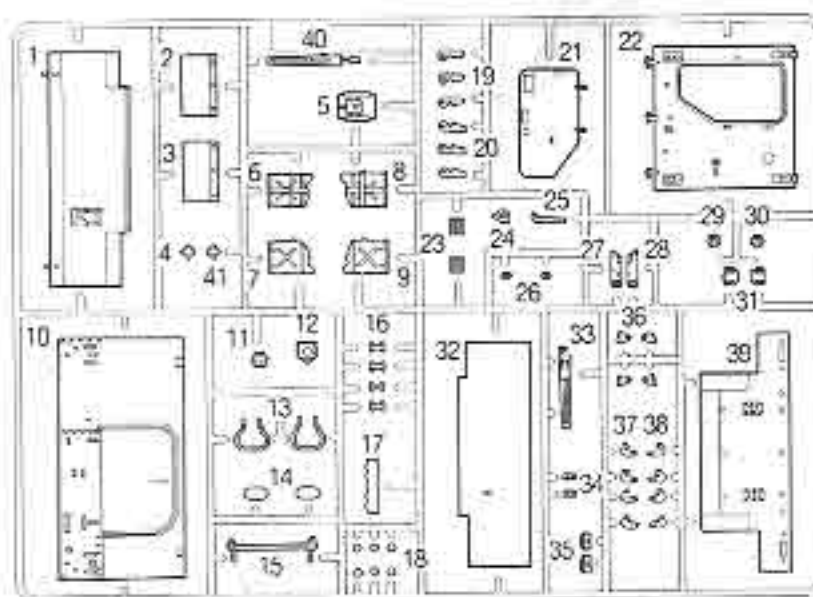


PARTS LOCATING DIAGRAM

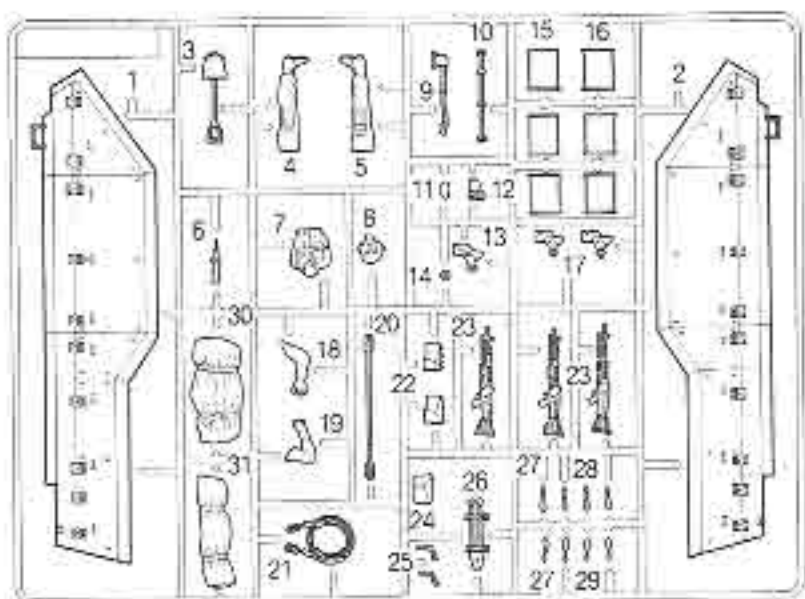
(A)



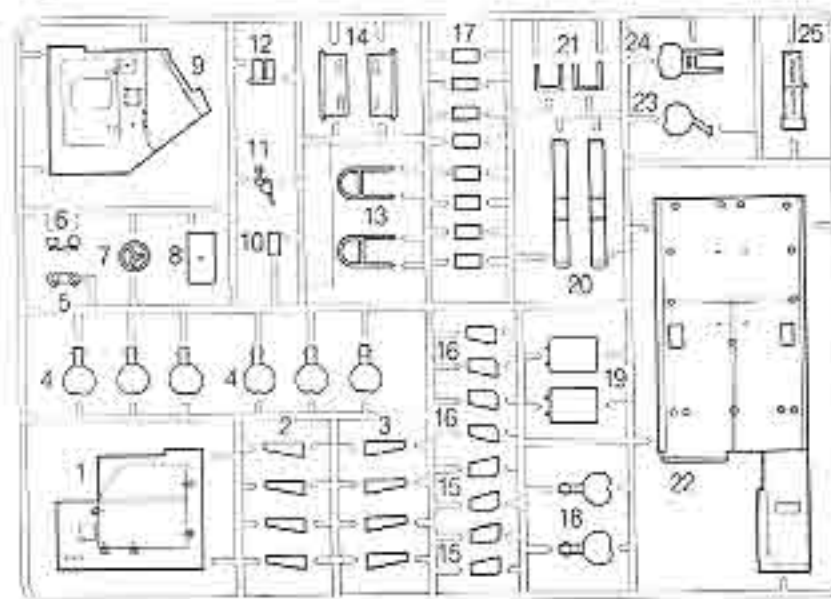
(B)



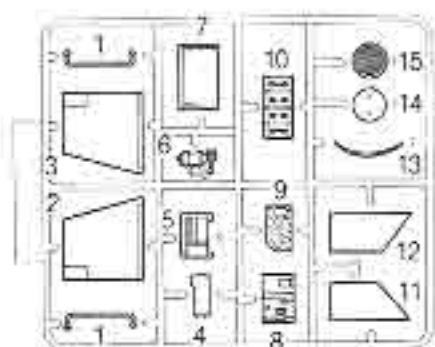
(C)



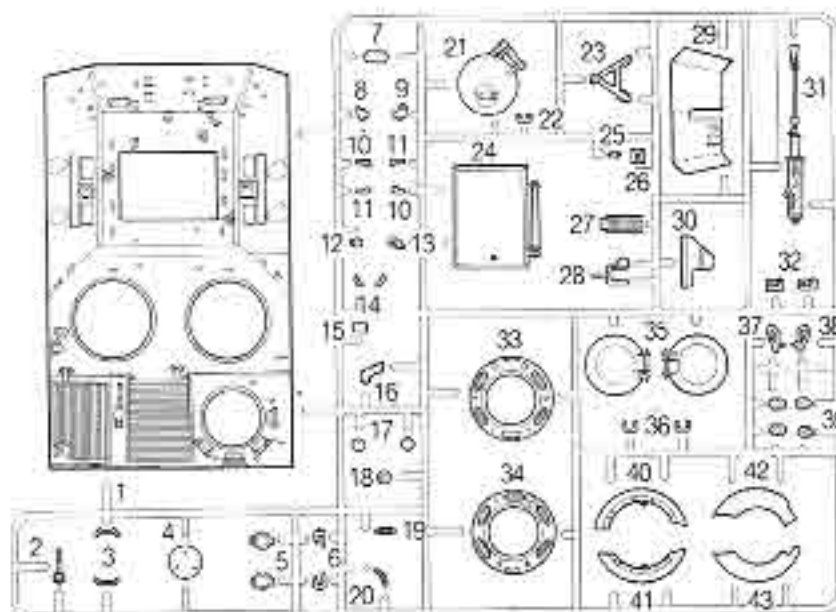
(D)



(E)



(F)



(X)

● TRACK x2



● LOWER HULL
● DECAL

● UNUSED PARTS :
A3, A4, A7, A11, A12
C28x1, POLY CAP1x2, 2x2

1385

ACADEMY
HOBBY MODEL KITS